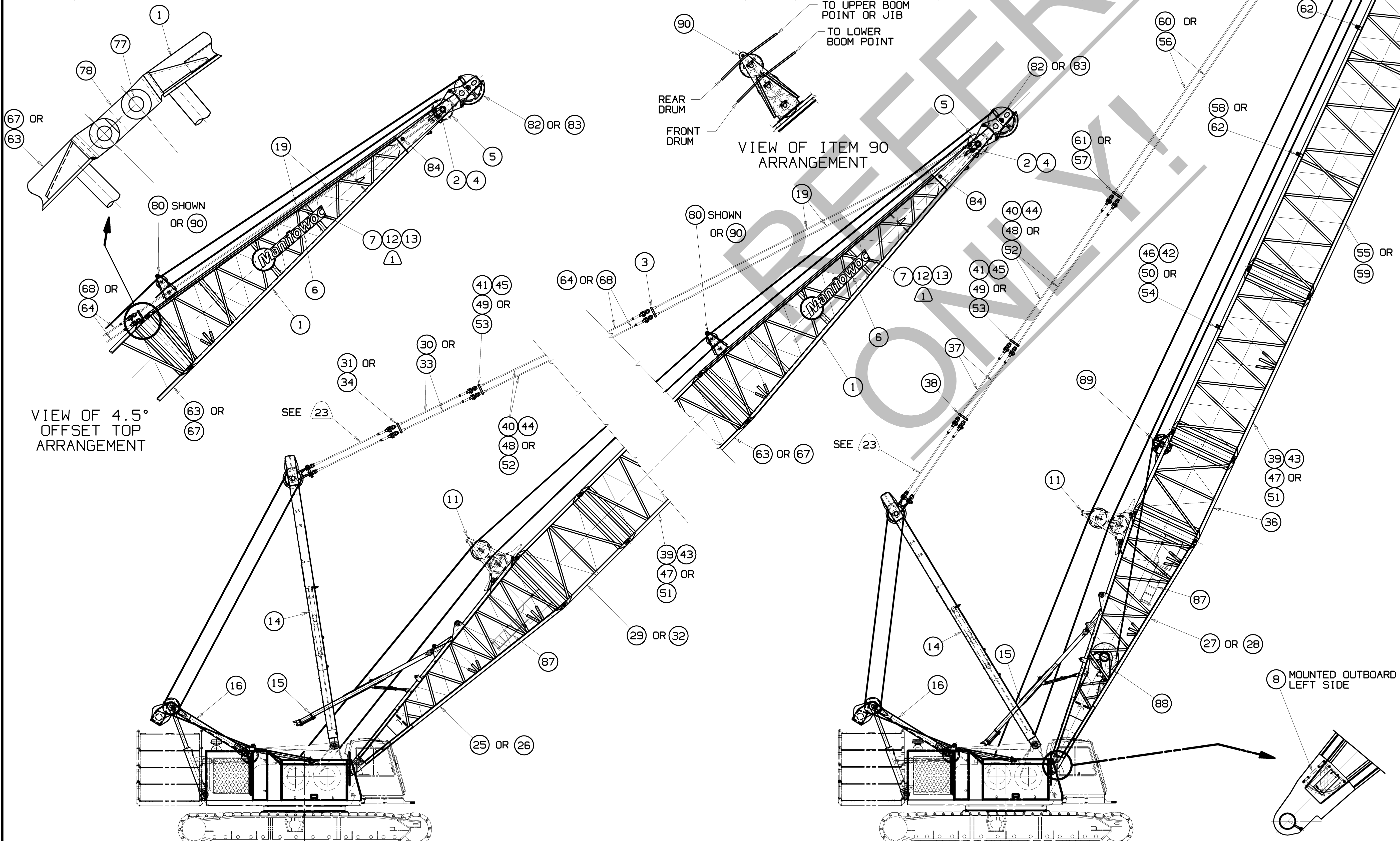


INSERTS, PENDANTS, AND ROLLER GUIDES REQ'D. FOR VARIOUS BOOM LENGTHS

ITEM NO.	29, 32, 36		39, 43, 47, 51		55, 59, 63, 67		60, 64, 68		66, 69, 70		80		90		71		74		72		73	
	10 FT 3.05 M INSERT SEE (13)		20 FT 6.10 M INSERT SEE (18)		40 FT 12.19 M INSERT SEE (3)		10 FT 3.05 M PENDANT		20 FT 6.10 M PENDANT		40 FT 12.19 M PENDANT		WIRE ROPE GUIDE ASSEMBLY W/BOOM TOP		WIRE ROPE GUIDE ASSEMBLY W/BOOM TOP		SPREADER SEE (4)		PENDANT TIE BAR SEE (12)		USE WITH SPREADER ITEM NO. 71 IN LINE/OFFSET SEE (4)	
	FEET	METERS											IN LINE	OFFSET	IN LINE	OFFSET	IN LINE	OFFSET				
80	24.4	1	0	0	4	0	0	0	0	1	1	1	1	0	0	4/4	0/0	0/0	0/0			
90	27.4	OR 2	0	0	8	0	0	0	0	1	1	1	1	0	0	6/6	0/0	0/0	0/0			
100	30.5	1	1	0	4	4	0	1	1	1	1	1	1	0	1	6/4	0/2	0/2	0/2			
110	33.5	OR 2	1	0	8	4	0	1	1	1	1	1	1	0	1	8/6	0/2	0/2	0/2			
120	36.6	OR 1	2	0	4	8	0	2	1	1	1	1	1	0	1	6/4	0/2	0/2	0/2			
130	39.6	OR 2	0	1	8	4	4	4	2	1	1	1	1	1	1	6/6	2/2	2/2	2/2			
140	42.7	1	1	1	4	4	4	4	3	1	1	1	1	1	1	6/6	2/2	2/2	2/2			
150	45.7	OR 2	1	1	8	4	4	4	3	1	1	1	1	1	1	8/8	2/2	2/2	2/2			
160	48.8	OR 1	2	1	4	8	4	4	4	1	1	1	1	1	1	6/6	2/2	2/2	2/2			
170	51.8	OR 2	0	2	8	0	8	4	4	1	1	1	1	1	1	6/6	2/2	2/2	2/2			
180	54.9	1	1	2	4	4	4	8	5	1	1	1	1	1	1	6/6	2/2	2/2	2/2			
190	57.9	OR 2	1	2	8	4	4	8	5	1	1	1	1	1	1	8/8	2/2	2/2	2/2			
200	61.0	OR 1	2	3	4	0	12	6	6	1	1	1	1	1	1	6/6	2/2	2/2	2/2			
210	64.0	OR 2	0	3	8	0	12	6	6	1	1	1	1	1	1	8/8	2/2	2/2	2/2			
220	67.1	1	1	3	4	4	12	7	7	1	1	1	1	1	1	6/6	2/2	2/2	2/2			
230	70.1	OR 2	0	3	8	0	12	8	8	1	1	1	1	1	1	10/10	2/2	2/2	2/2			
240	73.2	OR 1	2	4	4	0	16	8	8	1	1	1	1	1	1	8/8	2/2	2/2	2/2			
250	76.2	OR 2	0	4	8	0	16	8	8	1	1	1	1	1	1	10/10	2/2	2/2	2/2			
260	79.2	1	1	4	4	4	16	9	9	1	1	1	1	1	1	8/8	2/2	2/2	2/2			
270	82.3	OR 2	1	4	8	0	16	10	10	1	1	1	1	1	1	12/12	2/2	2/2	2/2			
280	85.3	OR 1	2	4	4	0	16	10	10	1	1	1	1	1	1	10/10	2/2	2/2	2/2			
290	88.4	OR 2	0	5	8	0	20	11	11	1	1	1	1	1	1	10/10	2/2	2/2	2/2			



83 OR 82
5
2
4
84
19
7
12
13
3
70 OR
66
63 OR
67
70 OR 66
71
72
73
74
58 OR
62
62 OR
59
39
43
47 OR
51
36
87
27 OR 28
88
8

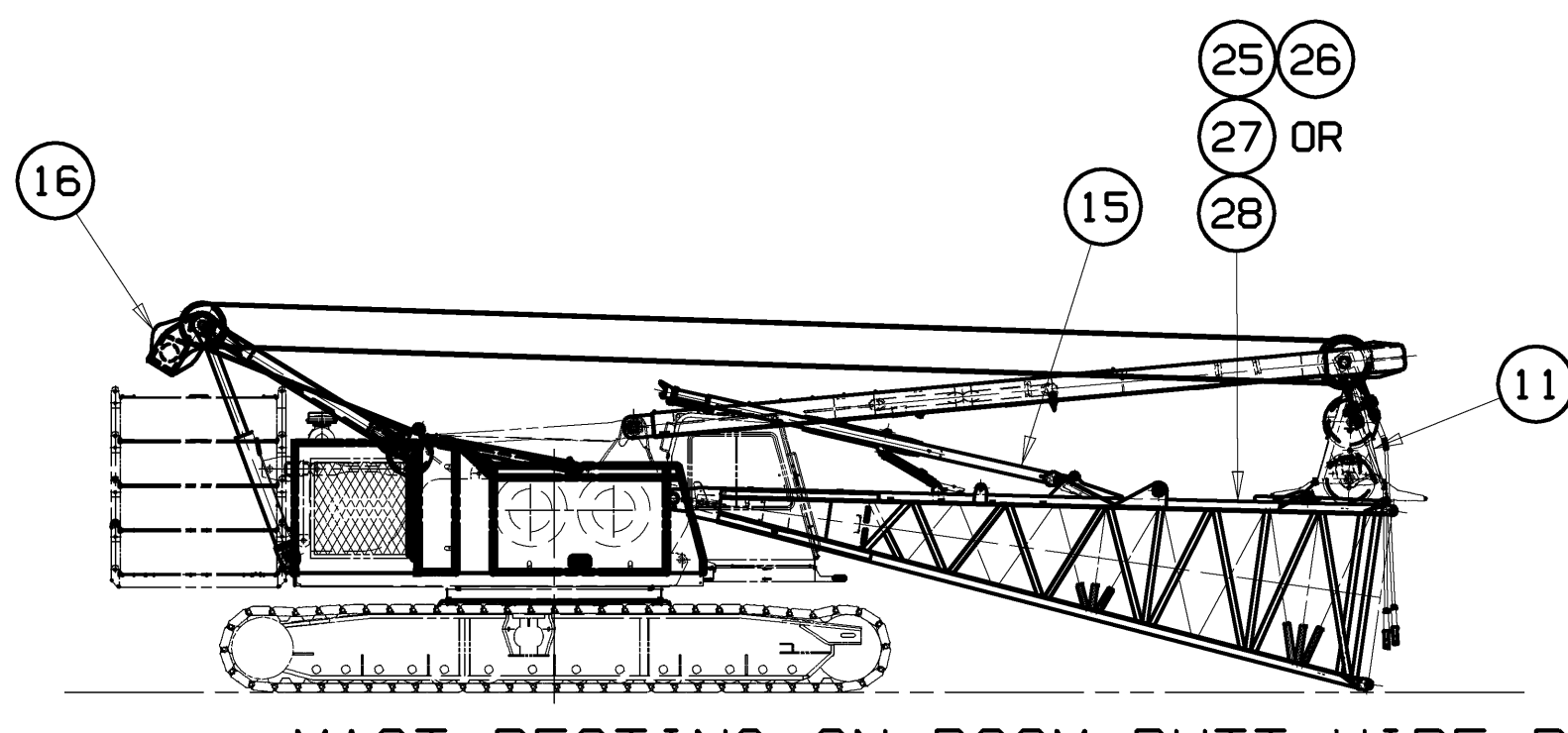
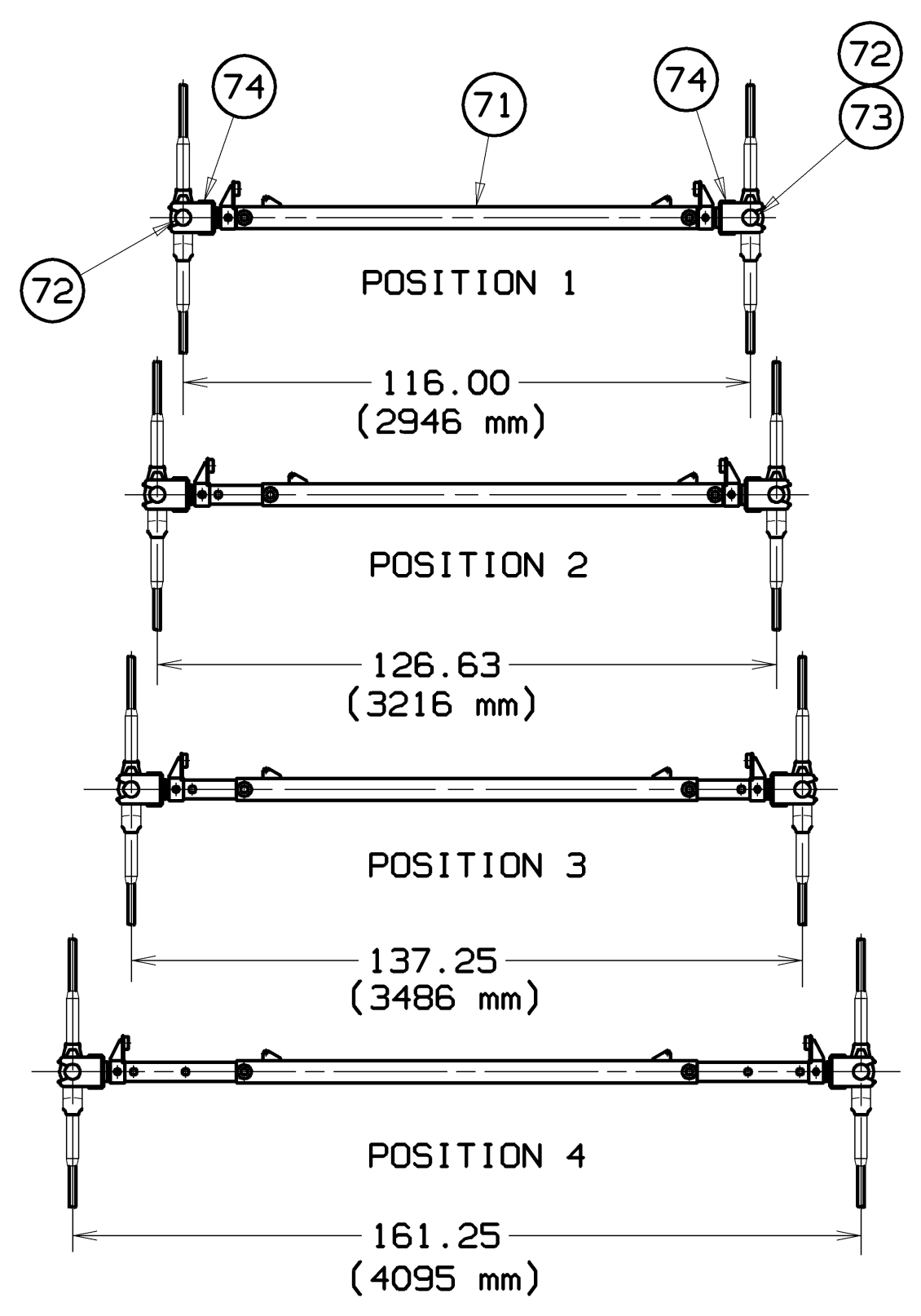
180 FT. (54.9 M) BOOM LENGTH SHOWN

ITEM NO.	DESCRIPTION	QTY	PART NO.
8983-0000	BASIC BOOM 70 FT. (21.3M)	1	
1	BOOM TOP 40 FT. #22C	1	6577341
2	BUSHING	1	74759
3	TIE BAR	1	7830713
4	PENDANT LINK	1	91125
5	LOWER BOOM POINT SHAFT ASSEMBLY	1	91132
6	BOOM SIGN	1	8100829
7	SCR MB X 30. 4.8 ZINC PLT	1	7121171301
8	BOOM ANGLE INDICATOR ASSEMBLY	1	168779
9			
10	TIMBER	1	176831
11	WIRE ROPE GUIDE ASSEMBLY	1	196383
12	NUT HEX M8-1.25 10 PLN	1	7661170004
13	WASHER LOCK M8	1	7951170210
14	MAST ASSEMBLY	1	196381
15	BOOM STOP ASSEMBLY	1	195467
16	GANTRY ASSEMBLY	1	195845
19	PENDANT BASIC 40 FT 9.75 (12.4 M)	1	276963
20	CLAMP	1	345678
21			
22	SCREW CAP HEX .50-13UNC X 5.00 LG.	1	612581
23	WASHER FLAT .50	1	709460
24	WASHER LOCK .50	1	710306
8983-0002	BOOM BUTT 30 FT. (9.14M)	1	
25	BOOM BUTT 30 FT. (9.14M) #22E	1	1769672841
8983-0004	BOOM BUTT 30 FT. (9.14M)	1	
26	MOD. TO #22E BOOM BUTT (176967)	1	4212623341
8983-0006	BOOM BUTT 30 FT. (9.14M)	1	
27	BOOM BUTT 30 FT. (9.14M) #22E	1	1772902841
8983-0008	BOOM BUTT 30 FT. (9.14M)	1	
28	MOD. TO #22E BOOM BUTT (177290)	1	4212563341
8983-0010	INSERT 10 FT. (3.05M)	1	
29	INSERT 10 FT. (3.05M) #22	1	3340731341
30	PENDANT 10 FT. (3.05M)	1	27686111
31	TIE BAR	1	7830713
8983-0012	INSERT 10 FT. (3.05M)	1	
32	INSERT 10 FT. (3.05M) #22E	1	1787581341
33	PENDANT 10 FT. (3.05M)	1	27686111
34	TIE BAR	1	7830713
35	TIMBER 85.50IN X 3.50IN X 3.50IN	1	810175533
8983-0016	INSERT 10 FT. (3.05M)	1	
36	INSERT 10 FT. (3.05M) #22E	1	1772912841
37	PENDANT 10 FT. (3.05M)	1	27686111
38	TIE BAR	1	7830713
8983-0020	INSERT 20 FT. W/OUT JIB BACKSTAY	1	
39	INSERT 20 FT. (6.10M) #22	1	3342631841
40	PENDANT 20 FT. (6.10M)	1	27686231
41	TIE BAR	1	7830713
42	TIMBER 94.50IN X 3.50IN X 3.50IN	1	810175538
8983-0025	INSERT 20 FT. W/OUT JIB BACKSTAY	1	
43	INSERT 20 FT. (6.10M) #22E	1	1787573741
44	PENDANT 20 FT. (6.10M)	1	27686231
45	TIE BAR	1	7830713
46	TIMBER 85.50IN X 3.50IN X 3.50IN	1	810175531
8983-0030	INSERT 20 FT. WITH JIB BACKSTAY	1	
47	INSERT 20 FT. (6.10M) #22	1	62358011841
48	PENDANT 20 FT. (6.10M)	1	27686231
49	TIE BAR	1	7830713
50	TIMBER 94.50IN X 3.50IN X 3.50IN	1	810175538
8983-0070	REQUIRED FOR OFFSET TOP	1	
77	PIN - BOOM JOINT	1	76998
78	LINK	1	79526
OPTIONAL ASSEMBLY LIST			
80	WIRE ROPE GUIDE ASSEMBLY	1	92671
81	MAST RIGGING ASSY WITH AUX BLOCK	1	195869
82	UPPER BOOM POINT SHAFT ASSEMBLY	1	90940
83	UPPER BOOM POINT SHAFT ASSEMBLY	1	92174
84	UNIVERSAL WIRE ROPE ANCHOR ASSEMBLY	1	93702
85	BOOM BUTT ATTACHING ASSEMBLY	1	177055
86	MOD. TO WIRE ROPE GUIDE ASSEMBLY	1	421205
87	BOOM ASSEMBLY LADDER STORAGE	1	177969
88	DRUM SHAFT ASSEMBLY, AUXILIARY	1	177255
89	WIRE ROPE GUIDE ASSEMBLY	1	177349
90	WIRE ROPE GUIDE ASSEMBLY	1	179061
91	TOP 40 FT MOD TO 65773	1	A1659538
92			
93	CAT WALK ASSY 40FT #22C TOP	1	8101697541
94	CAT WALK ASSY 30FT #22E OR #22EL BUTT	1	8101689741
95	CAT WALK ASSY 10FT #22 INSERT	1	8101697441
96	CAT WALK ASSY 10FT #22 INSERT	1	8101690041
97	CAT WALK ASSY 20FT #22 OR #82 INSERT	1	8101690141
98	CAT WALK ASSY 40FT #22 OR #82 INSERT	1	8101690241
8983-0035	INSERT 20 FT. WITH JIB BACKSTAY	1	
51	INSERT 20 FT. (6.10M) #22E	1	1787943741
52	PENDANT 20 FT. (6.10M)	1	27686231
53	TIE BAR	1	7830713
54	TIMBER 85.50IN X 3.50IN X 3.50IN	1	810175531
8983-0040	INSERT 40 FT. W/OUT JIB BACKSTAY	1	
55	INSERT 40 FT. (12.19M) #22	1	5060923341
56	PENDANT 40 FT. (12.19M)	1	27686332
57	TIE BAR	1	7830713
58	TIMBER 94.50IN X 3.50IN X 3.50IN	1	810175538
8983-0045	INSERT 40 FT. W/OUT JIB BACKSTAY	1	
59	INSERT 40 FT. (12.19M) #22E	1	1787563641
60	PENDANT 40 FT. (12.19M)	1	27686332
61	TIE BAR	1	7830713
62	TIMBER 85.50IN X 3.50IN X 3.50IN	1	810175538
8983-0050	INSERT 40 FT. WITH JIB BACKSTAY	1	
63	INSERT 40 FT. (12.19M) #22	1	6235263341
64	PENDANT 40 FT. (12.19M)	1	27686332
65	TIE BAR	1	7830713
66	TIMBER 94.50IN X 3.50IN X 3.50IN	1	810175538

△ EACH ITEM 6 REQUIRES A MINIMUM OF 10 SETS OF ITEMS 7, 12 AND 13.

SPREADER INSTRUCTIONS FOR BOOM TOP IN LINE			
BOOM LENGTH	SPREADER REQUIRED	SPREADER POSITION	LOCATION FROM LOWER BOOM POINT (26)
70 - 120 FT. (21.3 - 36.6 M)	NO		
130 - 230 FT. (39.6 - 70.1 M)	YES	2	81 FT. 7.75 (24.9 M) (81 FT. 10.75 (24.97 M))
240 - 290 FT. (73.2 - 88.4 M)	YES	4	121 FT. 7.75 (37.1 M) (122 FT. 1.75 (37.2 M))

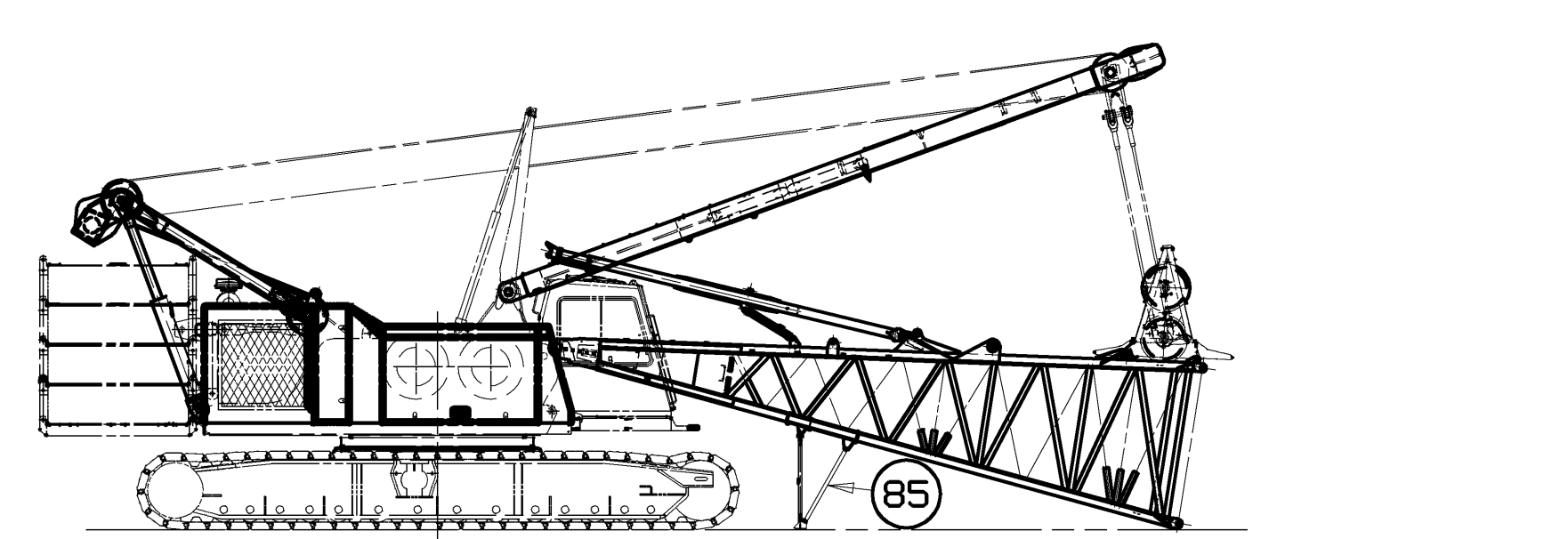
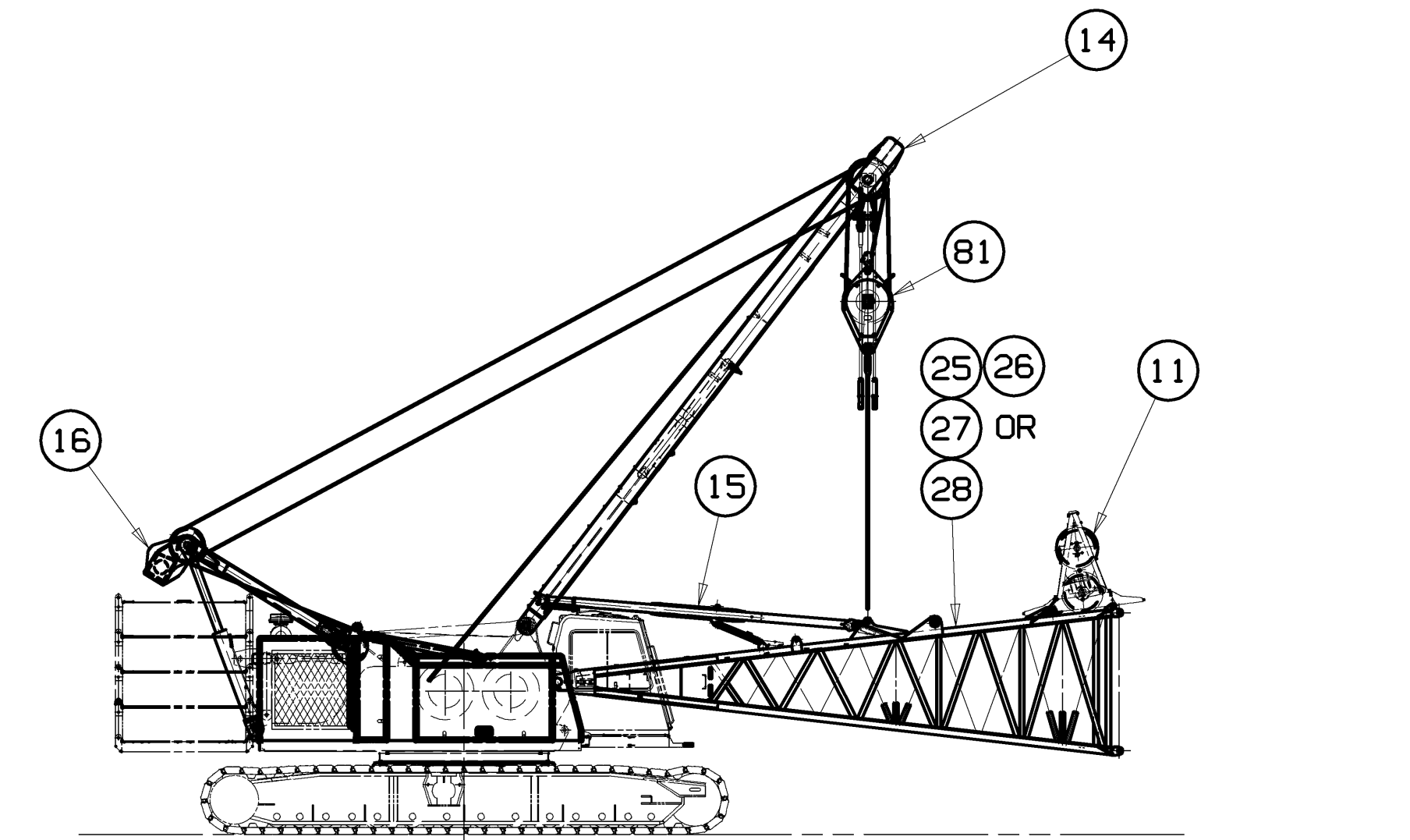
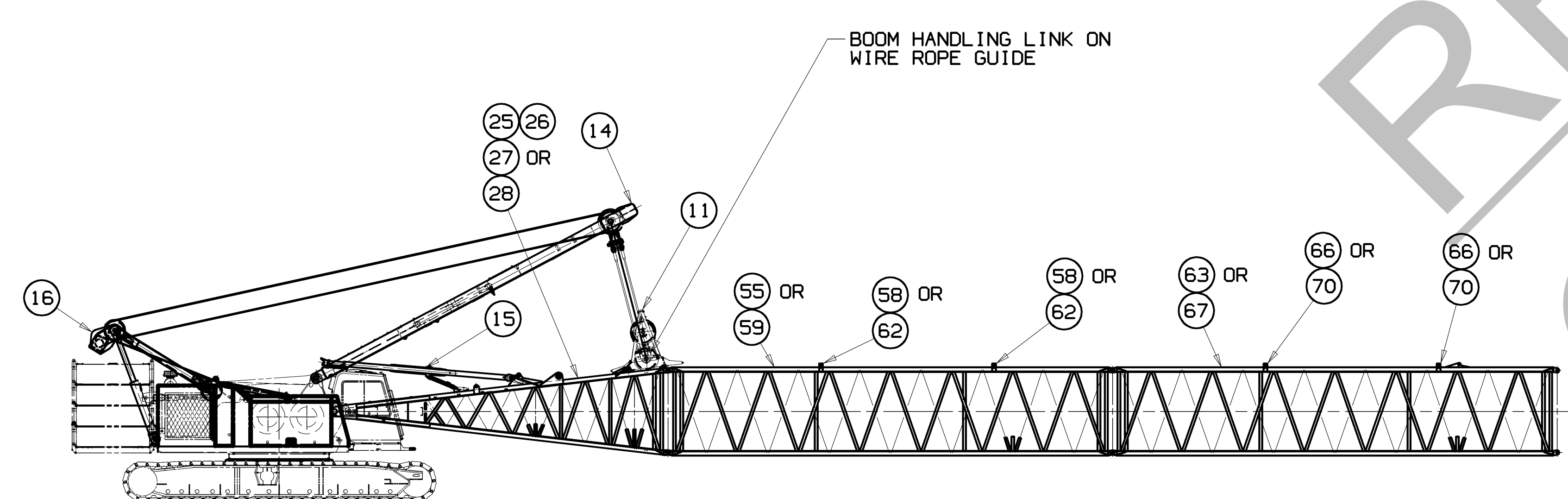
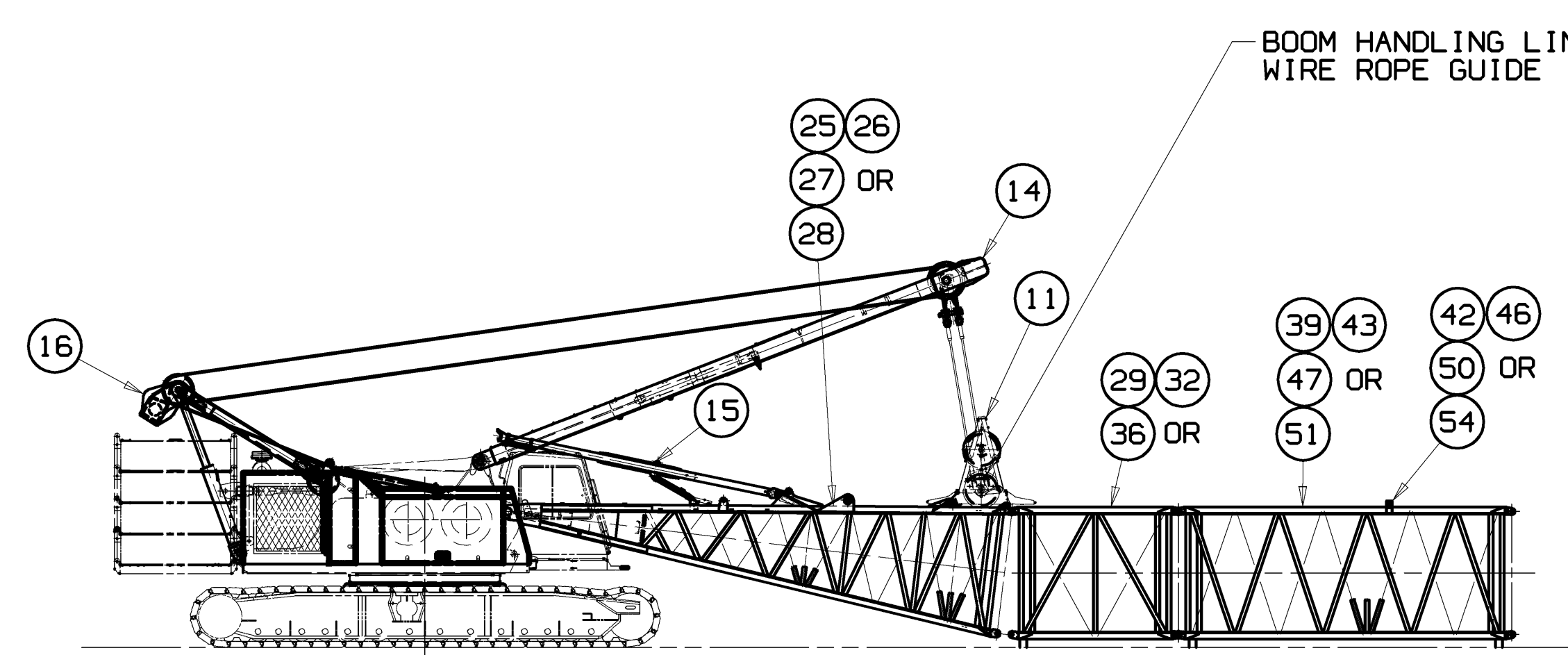
SPREADER INSTRUCTIONS FOR BOOM TOP OFFSET 4.5°			
BOOM LENGTH	SPREADER REQUIRED	SPREADER POSITION	LOCATION FROM LOWER BOOM POINT (27)
70 - 90 FT. (21.3 - 27.4 M)	NO		
100 - 120 FT. (30.5 - 36.6 M)	YES	1	61 FT. 7.75 (18.8 M) (61 FT. 9.25 (18.83 M))
130 - 170 FT. (39.6 - 51.8 M)	YES	3	81 FT. 7.75 (24.9 M) (81 FT. 10.75 (24.97 M))
180 - 290 FT. (54.9 - 88.4 M)	YES	4	121 FT. 7.75 (37.1 M) (122 FT. 1.75 (37.2 M))



(39) A16595 TO BE USED IN PLACE OF 65773 WHEN USING LOAD SENSOR SUB-ASSEMBLY A16614 ON #22C OPEN THROAT BOOM TOP FOUND ON DRAWING 195549.

(41) OPTIONAL CAT WALK ASSEMBLY QTY 1 CAT WALK ASSY PER BOOM SECTION

BOOM SECTION	OPTIONAL CAT WALK ASSY
65773	81016975
176967, 421262	81016897
177290, 421256	81016974
33407-3, 178758	81016900
177291	81016901
33426-3, 178757	81016901
623580, 178794	81016902
50609-2, 178756	81016902
623526, 178793	81016902



- (1) EXISTING 10 FT. (3.05 M) BOOM INSERT 33407-3 CAN ALSO BE USED.
- (2) 623526 WITH JIB BACKSTAY LUGS, 623580 WITH JIB BACKSTAY LUGS, EXISTING 20 FT (6.10 M) BOOM INSERT 623564 WITHOUT JIB BACKSTAY LUGS CAN BE USED.
- (3) 50609-2 WITHOUT JIB BACKSTAY LUGS, 623526 WITH JIB BACKSTAY LUGS, THE FOLLOWING EXISTING 40 FT. (12.19 M) BOOM INSERTS CAN ALSO BE USED: 623537, 623532, 623535, 623533, 623534 AND 623536 WITHOUT BACKSTAY LUGS, 623527, 623579 & 623530 WITH BACKSTAY LUGS.
- (4) SEE SPREADER INSTRUCTION TABLES AND SPREADER POSITION DIAGRAMS FOR SPREADER REQUIREMENTS.
4 - 20FT. (6.10M) PENDANTS ITEM 40, 44, 48, OR 52 ARE REQUIRED TO LOCATE SPREADER FOR 110 FT. (33.5M) BOOM LENGTH WITH OFFSET TOP.
8 - 20FT. (6.10M) PENDANTS ITEM 40, 44, 48, OR 52 ARE REQUIRED TO LOCATE SPREADER FOR 120 FT. (36.6M) BOOM LENGTH WITH OFFSET TOP.
6 - 30.00 DIA. SHEAVES
- (5) DWG. 139353
- (6) GRADE 5
- (8) JIB CANNOT BE USED WITH THIS ASSEMBLY.
- (9) EITHER WIRE ROPE GUIDE ITEM 80 OR 90 MAY BE USED WHEN BOOM BUTT IS NOT EQUIPPED WITH AUXILIARY DRUM. ITEM 90 MUST BE USED WHEN BOOM BUTT IS EQUIPPED WITH AUXILIARY DRUM. ROPE GUIDE ITEM 80 CANNOT BE USED ON 70 FT. AND 80 FT. IN LINE TOP OR 70 FT. OFFSET TOP. MODIFICATION ITEM 86 MUST BE USED WITH ROPE GUIDE ASSEMBLY ITEM 80 FOR JIB APPLICATIONS. ROPE GUIDE ITEM 90 CANNOT BE USED ON 70 FT. IN LINE OR OFFSET TOP.
- (10) REQUIRED FOR TWO PART LINE.
- (11) DWG. 76280
- (12) CLAMP TIE BARS TO PENDANT FITTING AT EACH CONNECTION WITHOUT SPREADER PIN.
- (13) SEE (1), (14), (16) AND (24)
- (14) MAXIMUM NO. OF 10 FT (3.05 M) INSERTS = 2
- (15) MAXIMUM NO. OF 20 FT (6.10 M) INSERTS = 2
- (16) COMBINATION OF 10 FT. (3.05M) AND 20 FT. (6.10M) INSERTS CANNOT EXCEED 2 - 10 FT. (3.05M) PLUS 1 - 20 FT. (6.10M) OR 1 - 10 FT. (3.05M) PLUS 2 - 20 FT. (6.10M).
- (17) STARTING WITH THE BOOM BUTT, INSERTS MUST BE INSTALLED IN ORDER OF ASCENDING LENGTH.
- (18) SEE (2), (15), (16) AND (35)
- (19) ITEMS 3, 31, 34, 38, 41, 45, 49, 53, 57, 61, 65 AND 69 HAVE THE SAME PART NO. 78307.
- (20) ITEMS 35, 46, 54, 62 AND 70 HAVE THE SAME PART NO. 81017555.
- (21) ITEMS 40, 44, 48, & 52 HAVE THE SAME PART NO. 276862.
- (22) ITEMS 56, 60, 64, & 68 HAVE THE SAME PART NO. 276863.
- (23) PENDANTS SHOWN ATTACHED TO MAST ARE CALLED FOR ON MAST ASSEMBLY (ITEM 5) AND ARE REQUIRED FOR ALL BOOM LENGTHS.
- (24) 20 FT 1.50 IN (6.13 M), #277426 AND 40 FT 3 IN. (12.27 M), #277427 PENDANTS FROM #22EL BOOM RIGGING CAN BE USED IN PLACE OF 20 FT. (6.10 M), #277862 AND 40 FT. (12.19 M), #277863 PENDANTS.
DO NOT MIX PENDANTS OF ONE LENGTH WITH THOSE OF A DIFFERENT LENGTH.
PENDANTS MUST BE INSTALLED IN MATCH SETS (PENDANTS ON ONE SIDE OF BOOM MUST MATCH LENGTH OF PENDANTS ON OTHER SIDE OF BOOM). FAILING TO OBSERVE THIS PRECAUTION WILL CAUSE MAST TO TWIST EXCESSIVELY WHEN BOOM IS RAISED. STRUCTURAL DAMAGE TO MAST OR BOOM WILL OCCUR.
- (25) SEE (1) AND (24)
- (26) LOCATION USING (LOCATION USING)
276863 (277427)
- (27) LOCATION USING (LOCATION USING)
276862/276863 (277426/277427)
- (28) WHEN AUXILIARY DRUM SHAFT ASSEMBLY (ITEM 88) IS USED, BOOM BUTT (ITEM 27 OR 29), WIRE ROPE GUIDE ASSEMBLIES (ITEMS 89 AND 90) AND 10 FT (3.05 M) INSERT (ITEM 36) ARE REQUIRED. THE 10 FT (3.05 M) INSERT (ITEM 36) MUST BE ADJACENT TO THE BOOM BUTT AT ALL TIMES. MINIMUM BOOM LENGTH USING THESE COMPONENTS IS 80 FT (24.2 M). MAXIMUM BOOM LENGTH IS 280 FT (85.3M) USING THESE COMPONENTS.
- (29) #22E BOOM BUTT (176967) IF MODIFIED PER (421218) CAN BE USED WITH AUXILIARY DRUM SHAFT ASSEMBLY (ITEM 88).
- (30) FOR STOWAGE DURING SHIPPING ONLY. MUST BE REMOVED FOR CRANE OPERATION.
- (31) (2) TIMBERS ARE REQUIRED FOR STOWAGE DURING SHIPPING BUT MUST BE REMOVED FOR CRANE OPERATION. REINSTALL (1) TIMBER ON TOP OF INSERT CHORDS FOR CRANE OPERATION.
- (32) (3) TIMBERS ARE REQUIRED FOR STOWAGE DURING SHIPPING BUT MUST BE REMOVED FOR CRANE OPERATION. REINSTALL (2) TIMBERS ON TOP OF INSERT CHORDS FOR CRANE OPERATION.
- (33) #22E BOOM BUTT (176967) IF MODIFIED PER (421262) OR (177290) IF MODIFIED PER (421258) CAN BE USED AS THE #22EL FIXED JIB BUTT
- (34) INSERT (33407) 10 FT (3.05M) CAN BE EQUIPPED WITH REMOVABLE DIAGONAL LACINGS PER MODIFICATION (421257).
- (35) INSERT (33426) 20 FT (6.10M) CAN BE EQUIPPED WITH REMOVABLE DIAGONAL LACINGS PER MODIFICATION (421258).
- (36) INSERT (50609) 40 FT (12.19M) CAN BE EQUIPPED WITH REMOVABLE DIAGONAL LACINGS PER MODIFICATION (421259).
- (37) SEE (15), (16) AND (35)
- (38) ITEMS 42, 50, 58, AND 66 HAVE THE SAME PART NO. 81017554

BOOM ASSEMBLY PROCEDURE
(MAST CAN BE USED TO ASSEMBLE ALL RIGGING COMPONENTS.)

1. ASSEMBLE BOOM COMPLETE, WITHOUT BUTT.
2. ATTACH ROPE GUIDES, PENDANTS, SPREADER, LINKS AND PINS AS REQ'D.
3. USING THE MAST WITH AUXILIARY BLOCK (ITEM 81) OR THE OPTIONAL BOOM BUTT SUPPORT, INSTALL THE BOOM BUTT WITH ROPE GUIDE AND BOOM STOPS TO ROTATING BED. (BOOM STOPS MUST BE IN SHIPPING (LOWER) POSITION.)
4. BOOM DOWN AND ATTACH MAST PENDANTS TO BOOM HANDLING LINK ON ROPE GUIDE ITEM 11.
5. BOOM UP TO CLEAR GROUND WITH BUTT.
6. POSITION MACHINE TO ALIGN UPPER PIN CONNECTOR HOLES ON BOOM BUTT WITH UPPER PIN CONNECTOR HOLES ON FIRST BOOM INSERT AND INSERT PINS.
7. SLOWLY BOOM UP TO ALIGN LOWER PIN CONNECTOR HOLES ON BOOM BUTT WITH LOWER PIN CONNECTOR HOLES IN FIRST BOOM INSERT AND INSERT PINS.

WARNING:

DO NOT BOOM UP PAST LOWER CONNECTOR HOLES. IF BOOMING UP CONTINUES AFTER CONNECTORS BOTTOM OUT OR AFTER PINS ARE INSERTED, DAMAGE TO ROPE GUIDE AND BOOM BUTT WILL OCCUR.

8. BOOM DOWN TO DISCONNECT MAST PENDANTS FROM ROPE GUIDE LINKS.
9. ATTACH MAST PENDANTS TO BOOM PENDANTS.
10. BOOM UP TO REMOVE SOME SLACK FROM PENDANTS.
11. CONNECT HANDLING PENDANTS TO BOOM STOPS AND RAISE BOOM STOPS INTO POSITION. PIN STRUTS IN EXTENDED POSITION. STOW HANDLING PENDANTS.
12. BOOM UP TO DESIRED BOOM ANGLE.

TO DISASSEMBLE BOOM

1. BOOM DOWN AND SUPPORT BOOM ON BLOCKING.
2. LOWER BOOM STOPS.
3. DISCONNECT MAST PENDANTS FROM BOOM PENDANTS
4. CONNECT MAST PENDANTS TO HANDLING LINK ON ROPE GUIDE.
5. BOOM UP TO REMOVE SLACK FROM MAST PENDANTS.

WARNING:

DO NOT BOOM UP TO PUT TENSION INTO MAST PENDANTS. (REMOVE SLACK ONLY) TENSION IN MAST PENDANTS WILL DAMAGE ROPE GUIDE AND BOOM BUTT.

6. REMOVE LOWER AND THEN UPPER BOOM BUTT CONNECTOR TO BOOM INSERT CONNECTOR PINS.

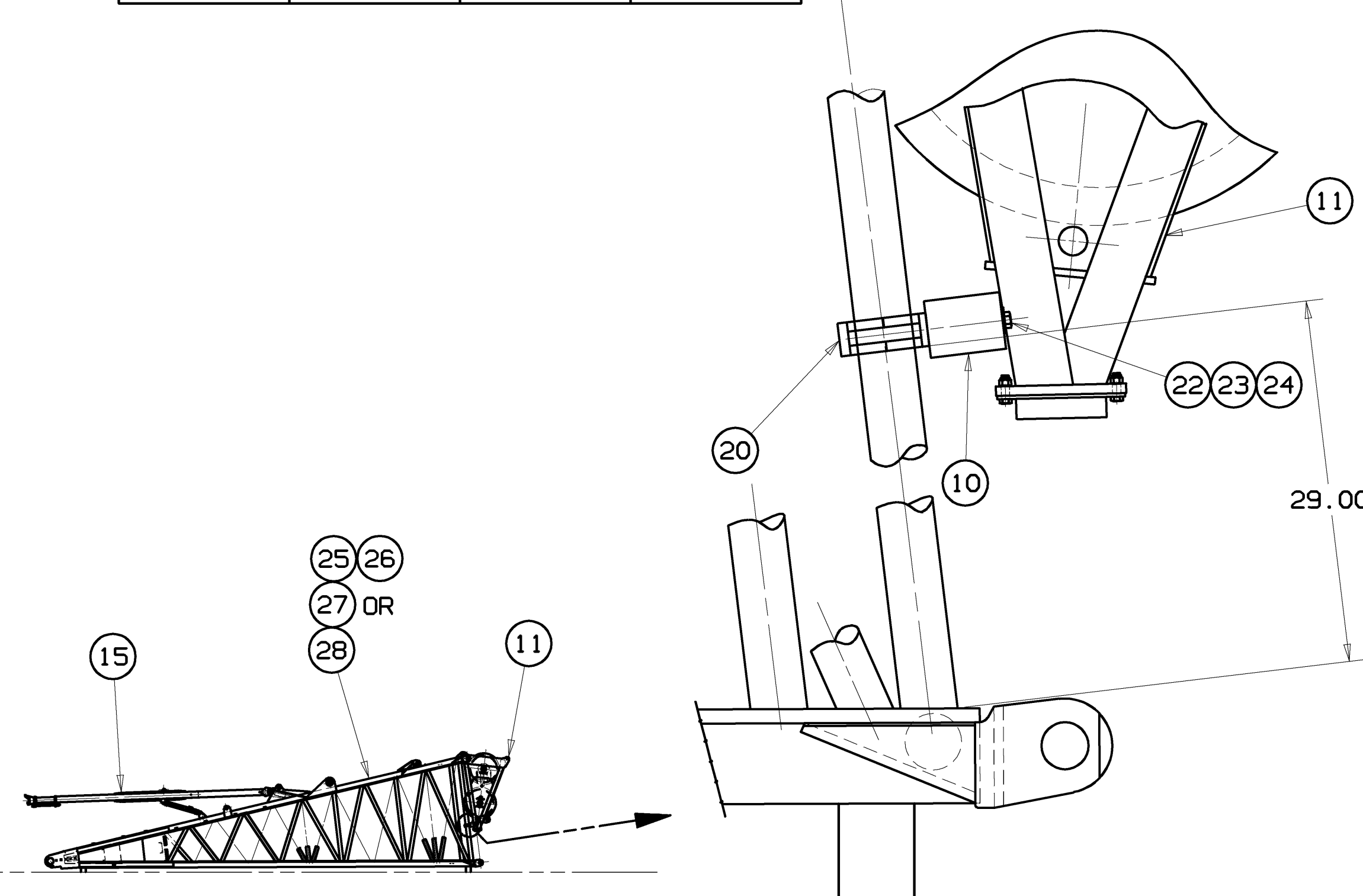
WARNING:

BOOM MUST BE PROPERLY BLOCKED TO PREVENT SHIFTING DURING PIN REMOVAL.

7. SLOWLY BOOM UP TO SUPPORT BOOM BUTT WITH MAST PENDANTS AND BACK AWAY FROM BOOM.
8. REMOVE BOOM BUTT FROM ROTATING BED WITH MAST.
9. DISASSEMBLE BOOM WITH MAST.

BOOM HANDLING WITH MAST WITH MAST PENDANTS PINNED TO ROPE GUIDE LINKS: MAXIMUM BOOM THAT CAN BE CANTILEVERED IS AS FOLLOWS:

LENGTH	10 FT. (3.05 M) INSERT	20 FT. (6.10 M) INSERT	40 FT. (12.2 M) INSERT
40 FT. (12.2 M)	2	1	0
50 FT. (15.2 M)	1	2	0
60 FT. (18.3 M)	2	0	1
80 FT. (24.4 M)	0	1	1
80 FT. (24.4 M)	0	0	2



SUPERSEDES 196151 SHT 2 OF 2 OF 11-11-10

THIS PRINT REMAINS THE PROPERTY OF MANITOWOC CRANES, INC. ALL INFORMATION CONTAINED HEREIN IS CONFIDENTIAL. IT IS LOANED, SUBJECT TO RETURN UPON DEMAND, AND ON EXPRESS CONDITION THAT IT IS NOT TO BE COPIED OR USED DIRECTLY OR INDIRECTLY IN ANY MANNER WITHOUT THE WRITTEN PERMISSION OF MANITOWOC CRANES, INC.	TOLERANCE UNLESS OTHERWISE SPECIFIED	MANUFACTURING	MANITOWOC CRANES, INC.	BOOM RIGGING ASSEMBLY
	DECIMAL PLACES	FRACTIONS	DATE	11-11-10
(1) PLACE 0.0	± 0.12	± 0.18	DR: JMG	#22E BOOM WITH
(2) PLACE 0.00	± 0.06	± 0.12	CK: BDR	MODEL 999
(3) PLACE 0.000	± 0.003	± 0.006	APP: BDR	OPEN THROAT TOP
ANGLES	± 1.0	± 0.5		

REVISIONS

NO.	DESCRIPTION	DATE
03-23-12	RTS	
A	ADDED NOTE	

DWG. NO. 196151
SHT 2 OF 2

DATE 01-06-12
PATTERN NO.

PRIVATE LABELING REQUIREMENT TO CONFORM TO ENGINEERING SPECIFICATION 6829103794 FOR COMPONENTS LISTED IN 682900-05-006

DATE 01-06-12
PATTERN NO.

196151
SHT 2 OF 2