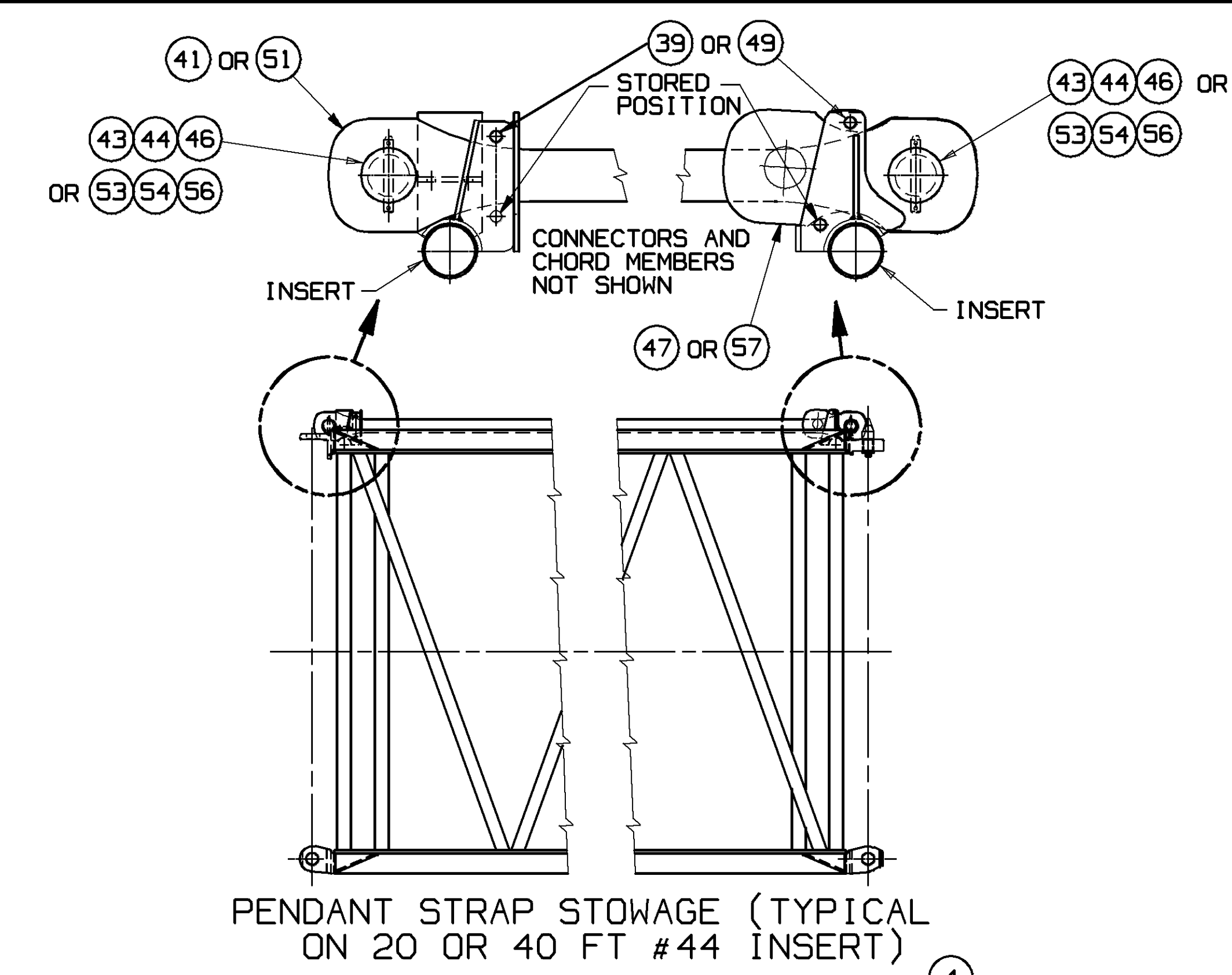
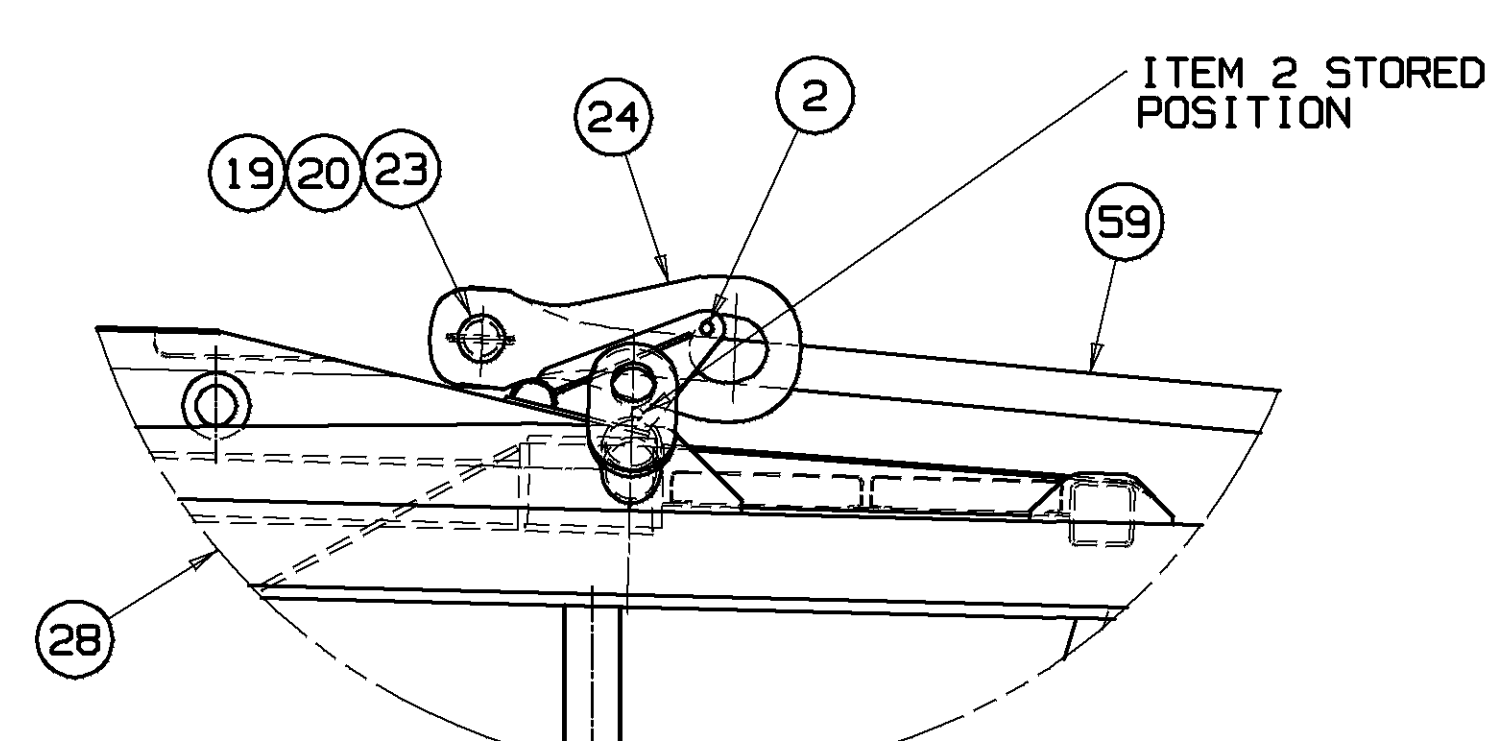


ADDITIONAL PARTS REQUIRED FOR VARIOUS BOOM LENGTHS

ITEM NO.	31	35	32 OR 36	45	55	41	51	39 OR 49	40 OR 50	47 OR 57	43 OR 53	44 OR 54	46 OR 56	16	59
<b>5</b> BOOM LENGTH	#49A 20 FT 6.10 M INSERT	#49A 40 FT 12.19 M INSERT	WIRE ROPE TIMBER	#44 20 FT 6.10 M INSERT	#44 40 FT 12.19 M INSERT	19 FT 4.75 (5.91M) STRAP	39 FT 4.75 (12.00M) STRAP	PIN	TIMBER	BOOM SUPPORT LINK	COLLAR	PIN	PIN	BOOM SUPPORT STRAP	BOOM SUPPORT STRAP
<b>12</b> 140 BASIC	OR 2 0	0 0	2 2	0 0	0 0	0 0	0 0	0 0	0 0	0 0	0 0	0 0	0 0	2 2	0 0
160	1	1	3	0	0	0	0	0	0	0	0	0	0	0	2
180	OR 2 0	1 2	4 4	0 0	0 0	0 0	0 0	0 0	0 0	0 0	0 0	0 0	0 0	0 0	2 2
200	OR 2 0	1 2	4 4	1 1	0 0	2 2	0 0	4 4	1 1	4 4	4 4	4 4	4 4	0 0	2 2
220	OR 2 0	1 2	4 4	2 0	0 1	4 0	0 2	8 4	2 2	8 4	8 4	8 4	8 4	0 0	2 2
240	OR 2 0	1 2	4 4	1 1	1 1	2 2	2 2	8 8	3 3	8 8	8 8	8 8	8 8	0 0	2 2
260	OR 2 0	1 2	4 4	2 0	1 2	4 0	2 4	12 8	4 4	12 8	12 8	12 8	12 8	0 0	2 2
280	OR 2 0	1 2	4 4	1 1	2 2	2 2	4 4	12 12	5 5	12 12	12 12	12 12	12 12	0 0	2 2
300	OR 2 0	1 2	4 4	2 0	2 3	4 0	4 6	16 12	6 6	16 12	16 12	16 12	16 12	0 0	2 2

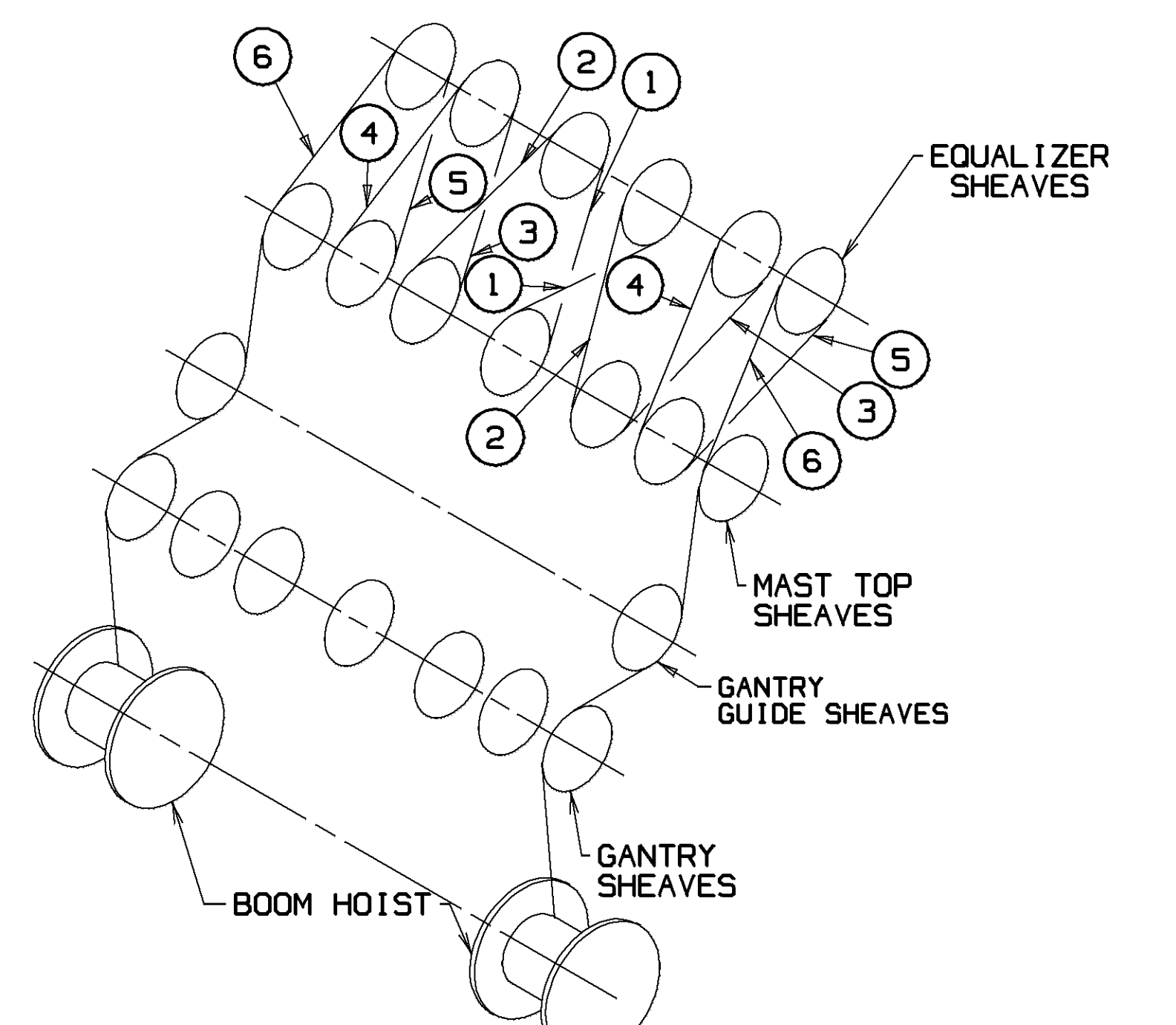


BOOM HANDLING INSTRUCTIONS			
TRAVEL SPEED NOT TO EXCEED 1/2 MPH (.80 km/h) BOOM ANGLE AT 10° OR LESS.			
MAST POSITION	MAX. LENGTH OF BOOM HANDLED	BOOM MAKE UP	BOOM CONDITIONS OR LIMITATIONS
	FEET	METERS	
UP	230	70.1	BUTT & INSERTS EQUALIZER PINNED TO RAILS. CAN CANTILEVER 80 FT. (24.4 M) OF INSERTS.



PENDANT STRAP AND LINK STOWAGE ON TRANSITION INSERT

- INSERT NOTES:**
1. THE SHORTER #44 INSERTS MUST BE CLOSEST TO THE TRANSITION INSERT. (20 FT (6.10 M) INSERT FIRST, THEN THE 40 FT (12.19 M) INSERTS.)
  2. THE MAXIMUM NUMBER OF 20 FT. (6.10 M) #49A INSERTS (ITEM 31) IS 2 AND MUST BE LOCATED NEXT TO BUTT (ITEM 8).
- GENERAL NOTES:**
1. MINIMUM BOOM LENGTH REQUIRED FOR #132 JIB = 220 FT. (67.1 M)
  2. WHEN #132 JIB IS USED, RUN LOAD LINE FROM WIRE ROPE GUIDE ASSEMBLY (ITEM 11), OVER JIB STRUT SHEAVE, TO JIB POINT.



**BOOM HOIST REEVING DIAGRAM FOR 12 PART LINE**

2150 FEET (655.3 M) OF 1.00" (26mm)-6 X 26 WARRINGTON SEALE, EXTRA IMPROVED PLOW STEEL, ALTERNATE LAY, 1WRC (719095) - B.S. 103,400 LBS. (46 900 kg)

OR

ALTERNATE WIRE ROPE

2150 FEET (655.3 M) OF 1.00" (26mm)-6 X 26 WARRINGTON SEALE, EXTRA IMPROVED PLOW STEEL, REGULAR LAY, 1WRC (719276) - B.S. 103,400 LBS. (46 900 kg)

OR

ALTERNATE WIRE ROPE

2150 FEET (655.3 M) OF 1.00" (26mm) DYFORM-6 (719359) - B.S. 113,800 LBS. (51 620 kg)

OR

ALTERNATE WIRE ROPE

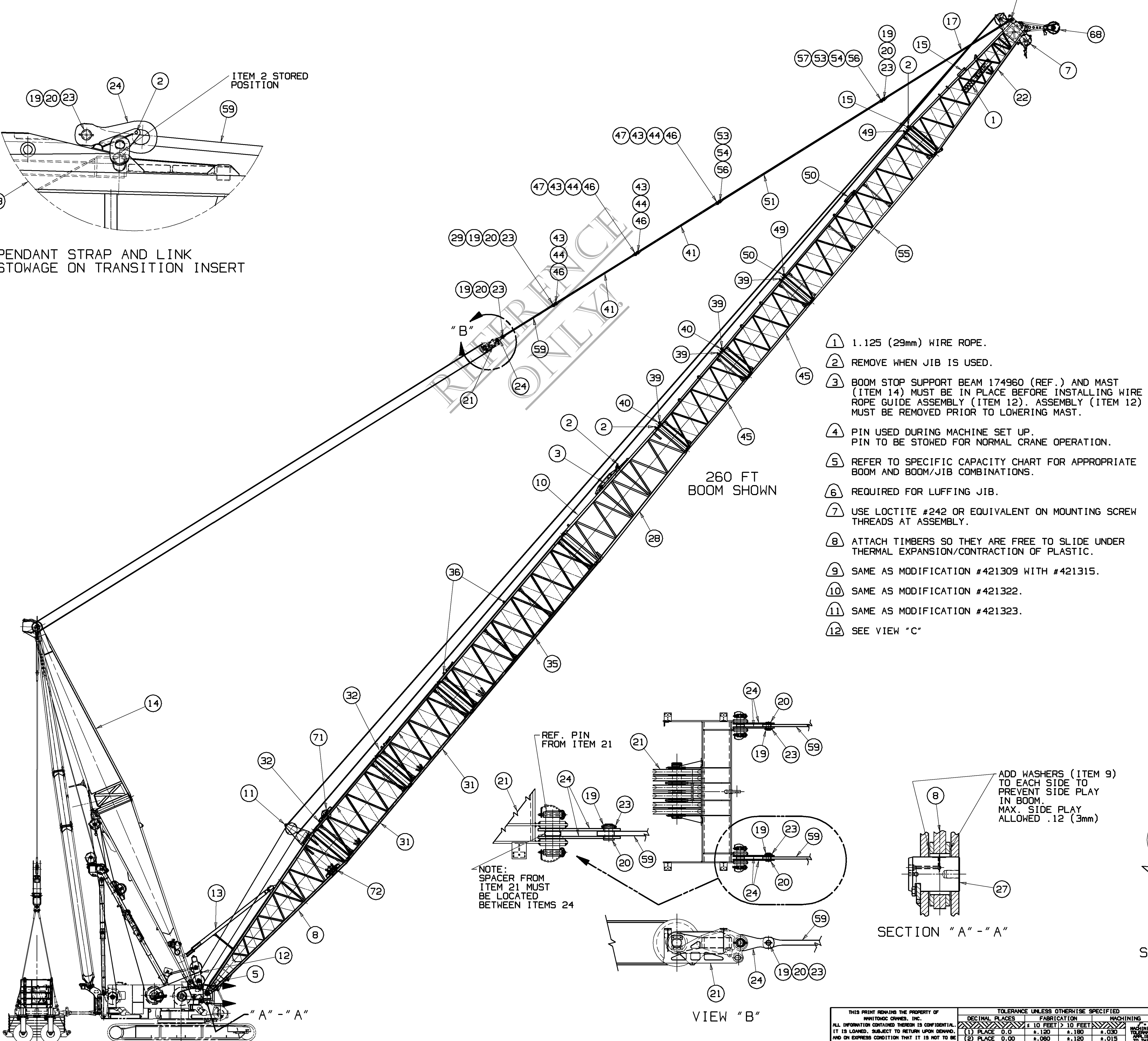
USE WHEN A SAFETY FACTOR OF 6.0 OR LESS IS REQUIRED.

2150 FEET (655.3 M) OF 1.00" (25mm) CASAR SUPERLAST, (719372) B.S. 137,200 LBS. (62 230 kg) (UK-EUROPEAN)

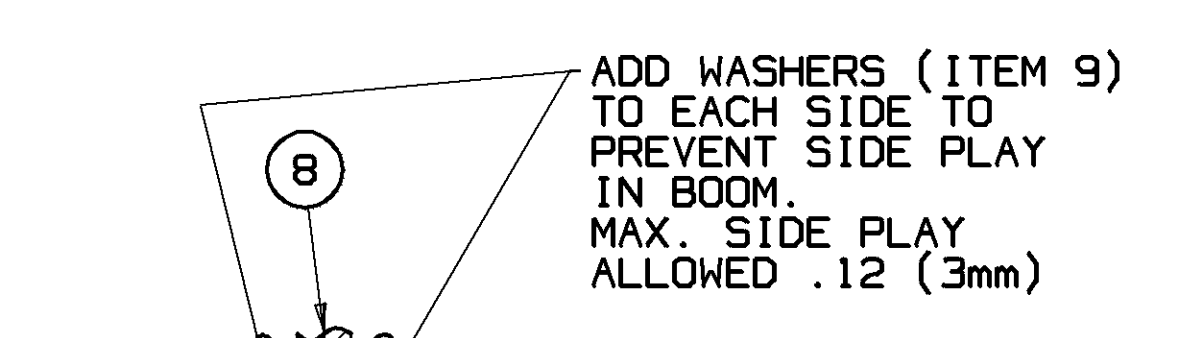
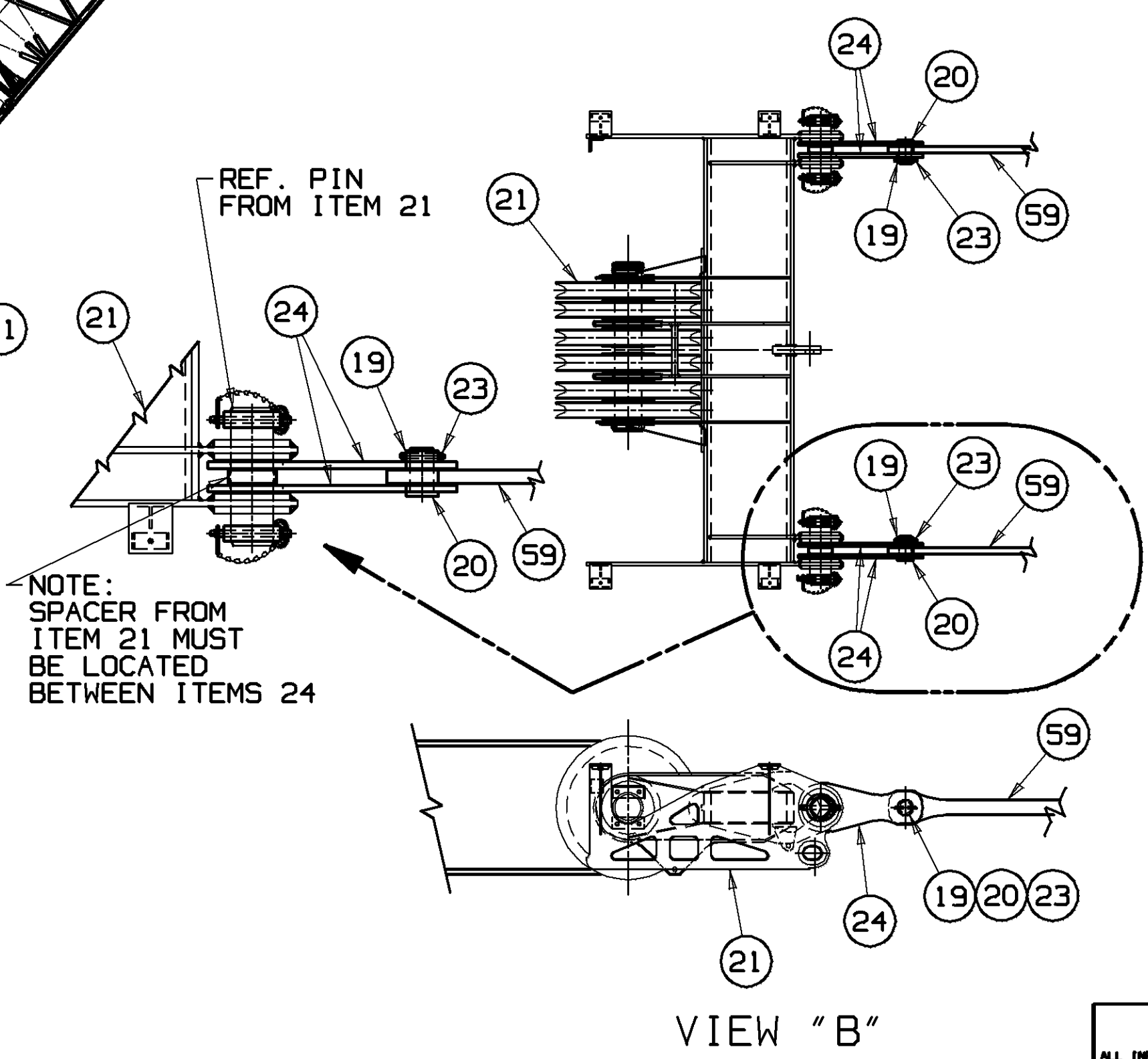
OR

ALTERNATE WIRE ROPE

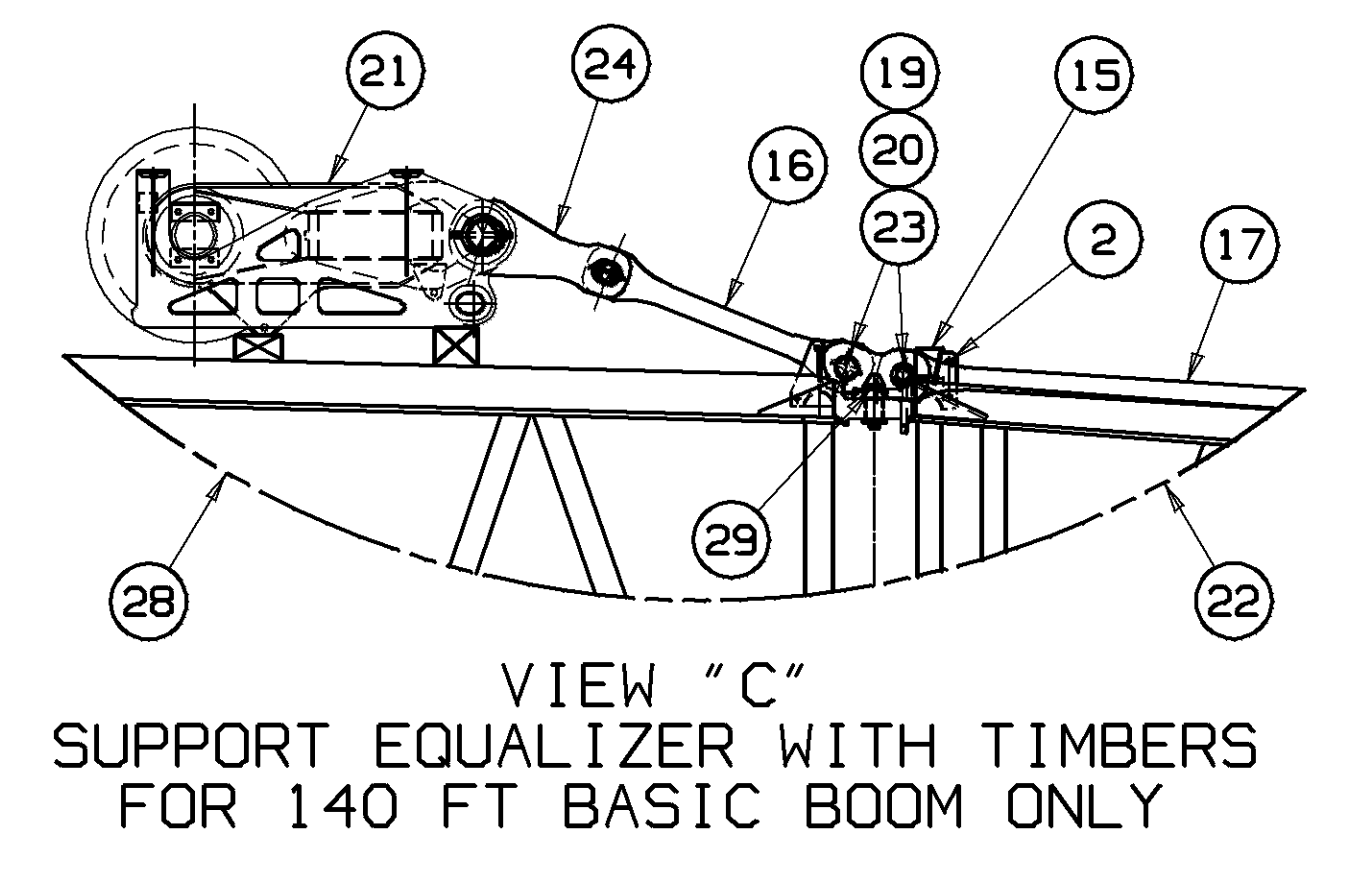
2150 FEET (655.3 M) OF 1.10" (28mm) DYFORM-6 #RRL 719390) - B.S. 147,289 LBS. (66 809 kg) (JAPANESE)



1. 1.125 (29mm) WIRE ROPE.
2. REMOVE WHEN JIB IS USED.
3. BOOM STOP SUPPORT BEAM 174960 (REF.) AND MAST (ITEM 14) MUST BE IN PLACE BEFORE INSTALLING WIRE ROPE GUIDE ASSEMBLY (ITEM 12). ASSEMBLY (ITEM 12) MUST BE REMOVED PRIOR TO LOWERING MAST.
4. PIN USED DURING MACHINE SET UP. PIN TO BE STOKED FOR NORMAL CRANE OPERATION.
5. REFER TO SPECIFIC CAPACITY CHART FOR APPROPRIATE BOOM AND BOOM/JIB COMBINATIONS.
6. REQUIRED FOR LUFFING JIB.
7. USE LOCTITE #242 OR EQUIVALENT ON MOUNTING SCREW THREADS AT ASSEMBLY.
8. ATTACH TIMBERS SO THEY ARE FREE TO SLIDE UNDER THERMAL EXPANSION/CONTRACTION OF PLASTIC.
9. SAME AS MODIFICATION #421309 WITH #421315.
10. SAME AS MODIFICATION #421322.
11. SAME AS MODIFICATION #421323.
12. SEE VIEW "C"



SECTION "A-A"



BILL OF MATERIAL				ASSEMBLIES USED ON
ITEM NO.	DESCRIPTION	MATERIAL	QTY	
1910-0000 BASIC BOOM 140 FT (42.7M)				
1	BOOM SIGN		22656	
2	PIN		78292	
3	PIN		139128	4
4	PIN		160720	4
5	BOOM ANGLE INDICATOR ASSEMBLY		168779	
6				
7	BOOM POINT SHAFT ASSEMBLY (LOWER)		172960	1
8	#49A BOOM BUTT (40 FT.)-(12.19 M)		174551	1
9	WASHERS		174904	8
10	TIMBER		174915	7
11	WIRE ROPE GUIDE ASSEMBLY		174944	3
12	WIRE ROPE GUIDE ASSEMBLY		174946	3
13	BOOM STOP ASSEMBLY		174955	2
14	MAST ASSEMBLY		192231	1
15	TIMBER		178905	7
16	BOOM SUPPORT STRAP (BASIC)		179841	12
17	BOOM SUPPORT STRAP (BASIC)		179840	12
18				
19	COLLAR		179862	2
20	PIN		179863	3
21	EQUALIZER ASSEMBLY		179896	3
22	BOOM TOP (30 FT.)-(9.14 M)		179915	9
23	PIN		179959	2
24	BOOM SUPPORT LINK		179984	2
25				
26				
27				
28	TRANSITION INSERT 30 FT (9.14M)		192228	1
29	BOOM SUPPORT LINK		192250	1
30				
1910-0010 INSERT 20 FT (6.10M) #49A BOOM				
31	INSERT 20 FT (6.10M) #49A BOOM		174425	1
32	TIMBER		174915	7
33				
34				
1910-0020 INSERT 40 FT (12.19M) #49A BOOM				
35	INSERT 40 FT (12.19M) #49A BOOM		174422	1
36	TIMBER		174915	7
37				
38				
1910-0030 INSERT 20 FT (6.10M) #44 BOOM				
39	PIN		78292	2
40	TIMBER		178905	7
41	BOOM SUPPORT STRAP (20 FT)		179838	1
42				
43	COLLAR		179862	2
44	PIN		179863	3
45	INSERT 20 FT (6.10M) #44 BOOM		179913	10
46	PIN		179959	2
47	BOOM SUPPORT LINK		192250	1
48				
1910-0040 INSERT 40 FT (12.19M) #44 BOOM				
49	PIN		78292	2
50	TIMBER		178905	7
51	BOOM SUPPORT STRAP (40 FT)		179839	1
52				
53	COLLAR		179862	2
54	PIN		179863	3
55	INSERT 40 FT (12.19M) #44 BOOM		179914	11
56	PIN		179959	2
57	BOOM SUPPORT LINK		192250	1
58				
1910-0050 BOOM SUPPORT STRAP				
59	BOOM SUPPORT STRAP		192109	1
60				
61				
62				
63				
64				
65				
66				
67				
OPTIONAL PARTS				
68	BOOM POINT ASSEMBLY (UPPER)		170419	1
69				
70				
71	WIRE ROPE GUIDE ASSEMBLY		176259	6
72	WIRE ROPE GUIDE ASSEMBLY		176260	6

1-29-99 THE NUMBER CORRECTION WAS 176113 3-03-00 EDS WAS 8 PART LINE DELETED 320 IN TABLE

1-13-99

192633

192633