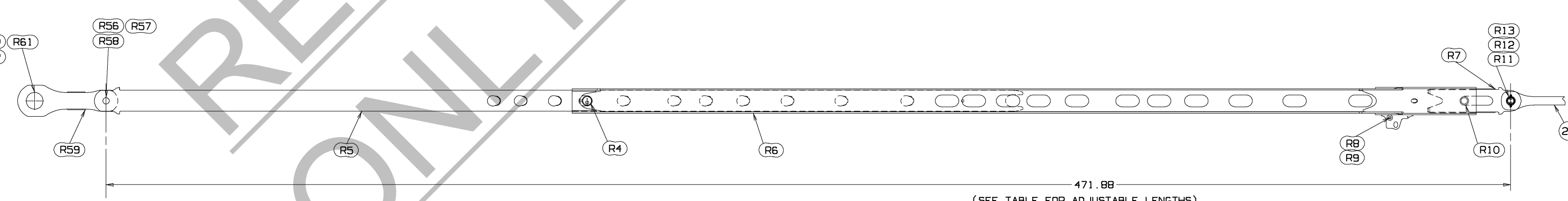


(FOR 140 THRU 260 FT BOOM)  
 REEVING RIGGING LINE  
 DIAGRAM FOR 2 PART LINE

REEVING RIGGING LINE  
 DIAGRAM FOR 2 PART LINE  
 (OPTIONAL FOR 200 THRU 260 FT BOOM)



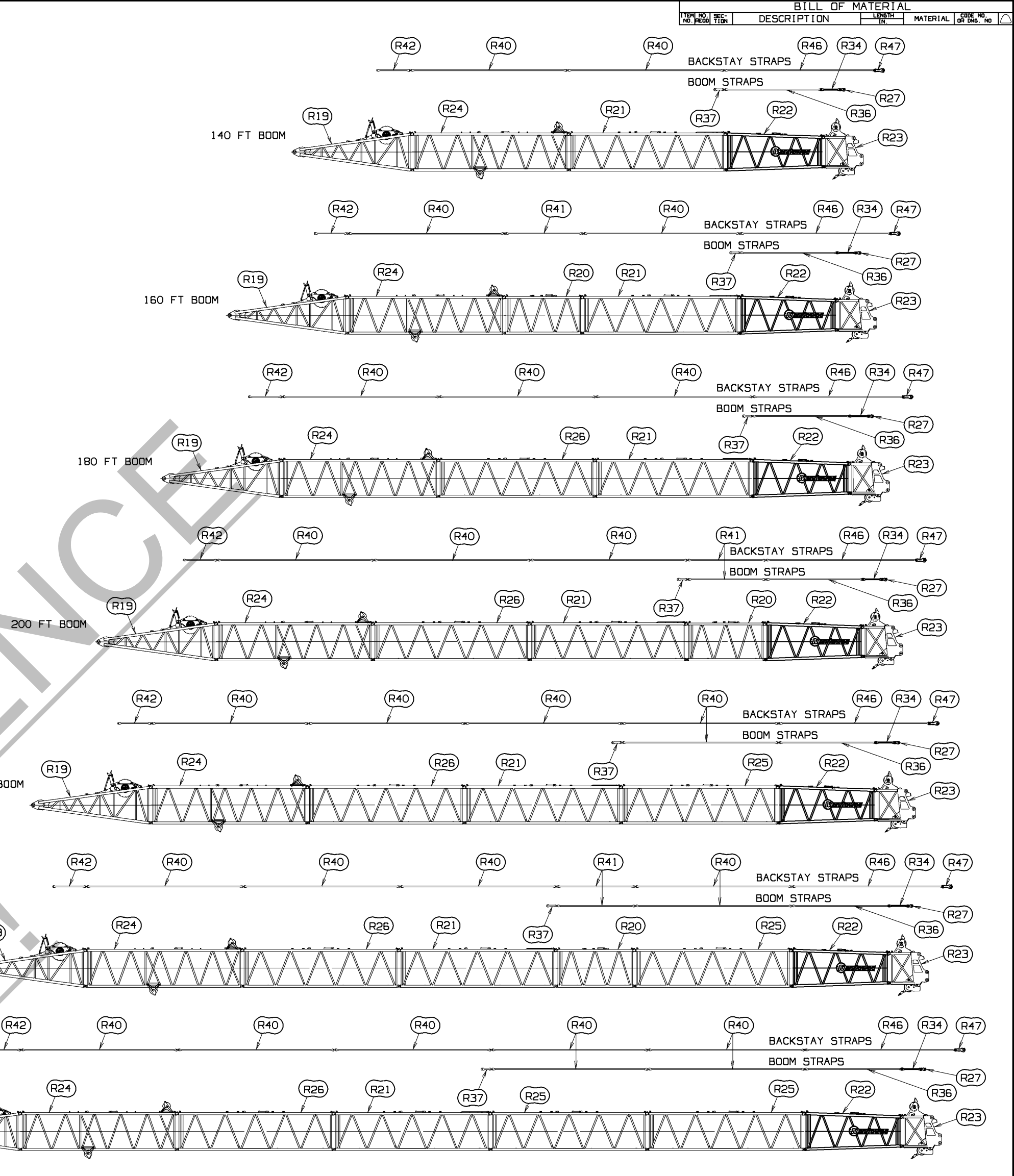
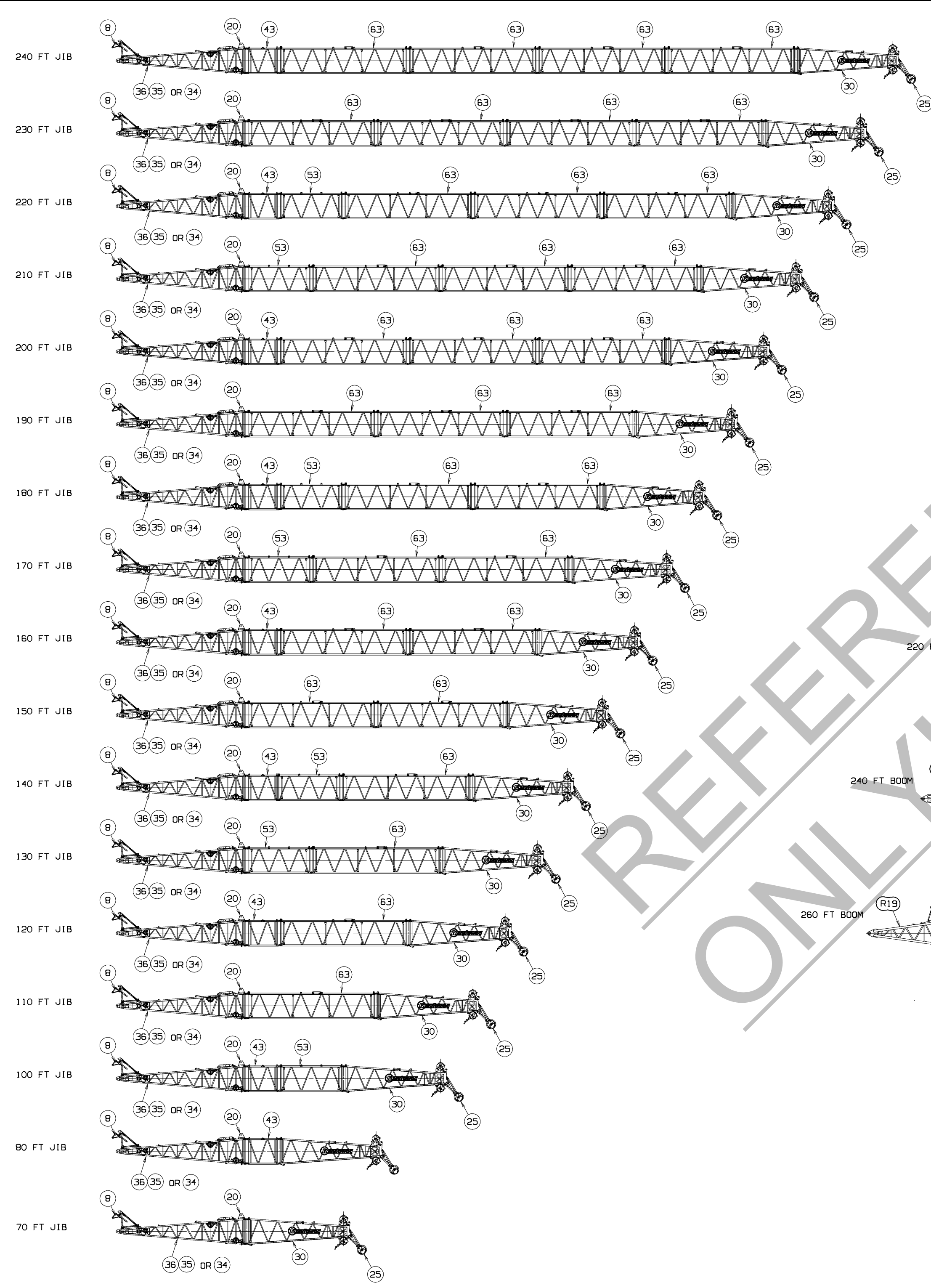
REFERENCE ONLY!

REVISIONS  
 01-28-10 JAS  
 UPDATED  
 BOOM AND  
 LUFFING JIB  
 SIGNS

196313  
 SHT. 1 OF 5

PRIVATE LABELING  
 REQUIREMENT TO  
 CONFORM TO  
 ENGINEERING  
 SPECIFICATION  
 6629103794 FOR  
 COMPONENTS LISTED  
 IN 605200-08-1026  
 DATE  
 9-6-00  
 PATTERN NO.

TOLERANCE UNLESS OTHERWISE SPECIFIED		SCALE	Manitowoc Cranes, Inc. Manitowoc, Wisconsin
DECIMAL PLACES	FABRICATION	1:1000-1E	
(1) PLACE 0.0	± .12 ± .18 ± .03	DR. CRP	#44 FIXED JIB
(2) PLACE 0.00	± .06 ± .12 ± .015	CK. CRP	
(3) PLACE 0.000	± .003 ± .005 ± .001	APP. RJW	
ANGLES	± 1.30 ± 0.30		MODEL 2250 MAXER 2000
			RIGGING ASSEMBLY



REQUIRED # 79 BOOM ASSEMBLY  
(REFERENCE)

RECOMMENDED # 44 FIXED JIB ASSEMBLY  
NOTE: SEE CHART ON PG. 5 FOR ALTERNATE COMBINATIONS

NO.	REV.	DESCRIPTION	DATE	BY	CHK.	APP.

NO.	REV.	DESCRIPTION	DATE	BY	CHK.	APP.

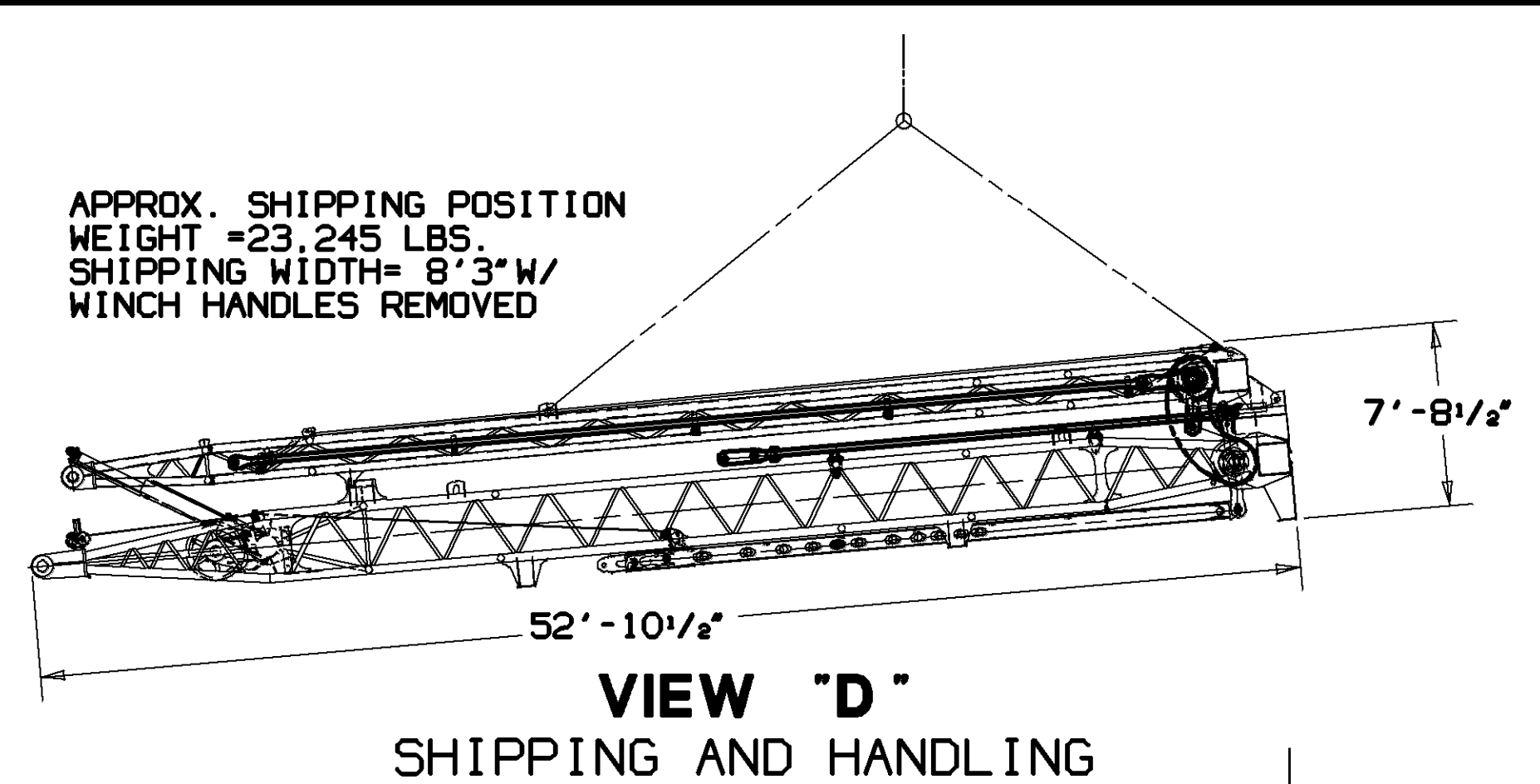
REFERENCE ONLY

<small>THIS PRINT BEING THE PROPERTY OF MANITOWOC CRANES, INC. ALL INFORMATION CONTAINED HEREIN IS CONFIDENTIAL, IT IS LOANED, SUBJECT TO RETURN UPON DEMAND, AND ON EXPRESS CONDITION THAT IT IS NOT TO BE COPIED OR USED DIRECTLY OR INDIRECTLY IN ANY MANNER DETRIMENTAL TO OUR INTERESTS.</small>	<small>TOLERANCE UNLESS OTHERWISE SPECIFIED</small> DECIMAL PLACES      FABRICATION      MACHINING (1) PLACE 0.0      ± 0.12      ± 0.18      ± 0.25 (2) PLACE 0.00      ± 0.06      ± 0.09      ± 0.12 (3) PLACE 0.000      ± 0.003      ± 0.005      ± 0.007 ANGLES      ± 1.0°      ± 0.5°	<small>SCALE</small> 1" = 12'-0" <small>DR. CRP</small> <small>CHK. CRP</small> <small>APP. RJW</small>	<b>Manitowoc Cranes, Inc.</b> Manitowoc, Wisconsin MODEL 2250 MAXER 2000	# 44 FIXED JIB ASSEMBLY	DATE 9-6-00 PATTERN NO.
	<small>PRIVATE LABELING REQUIREMENT TO CONFORM TO ENGINEERING SPECIFICATION 6629103794 FOR COMPONENTS LISTED IN 605200-05-1026</small>	196313 SHT. 2 OF 5			

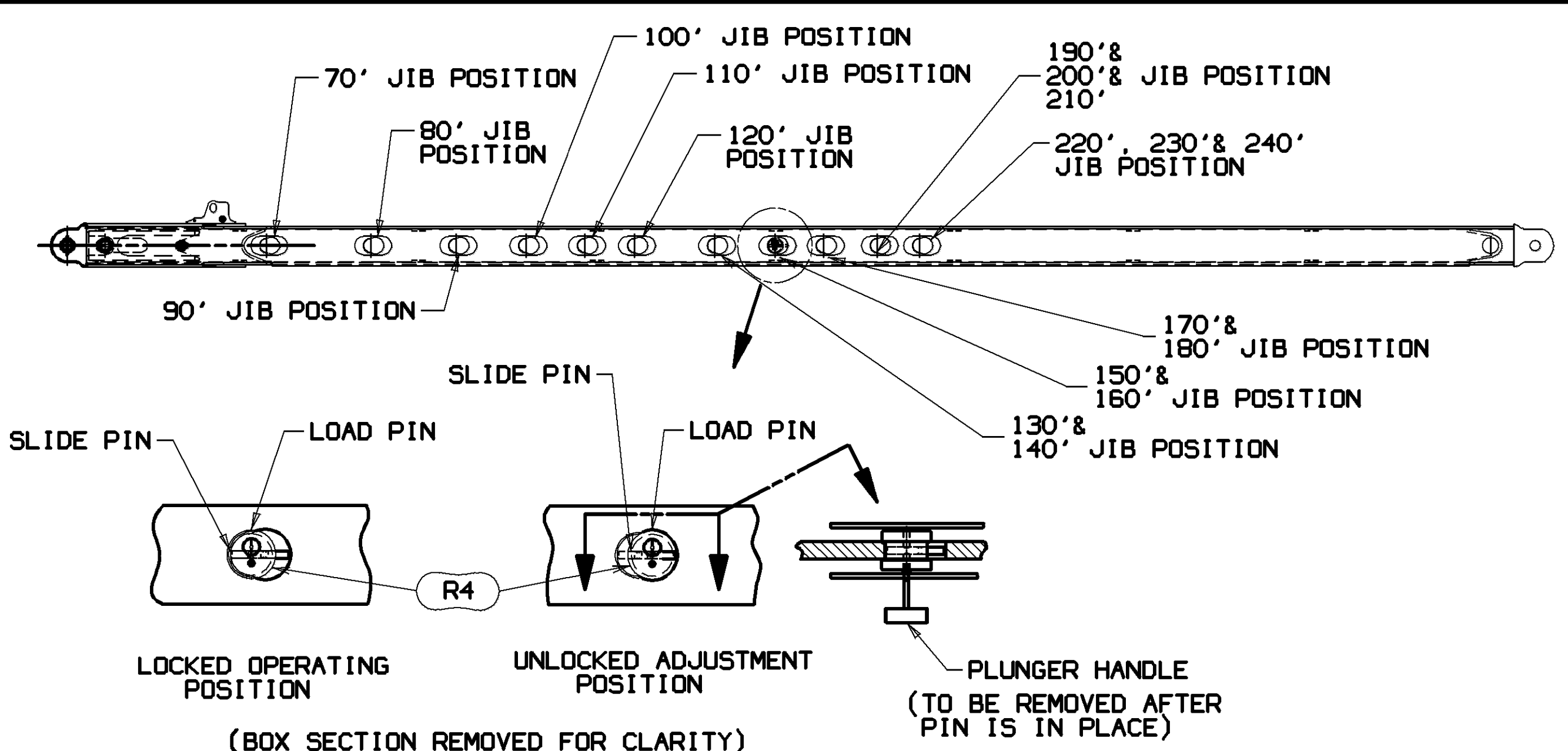




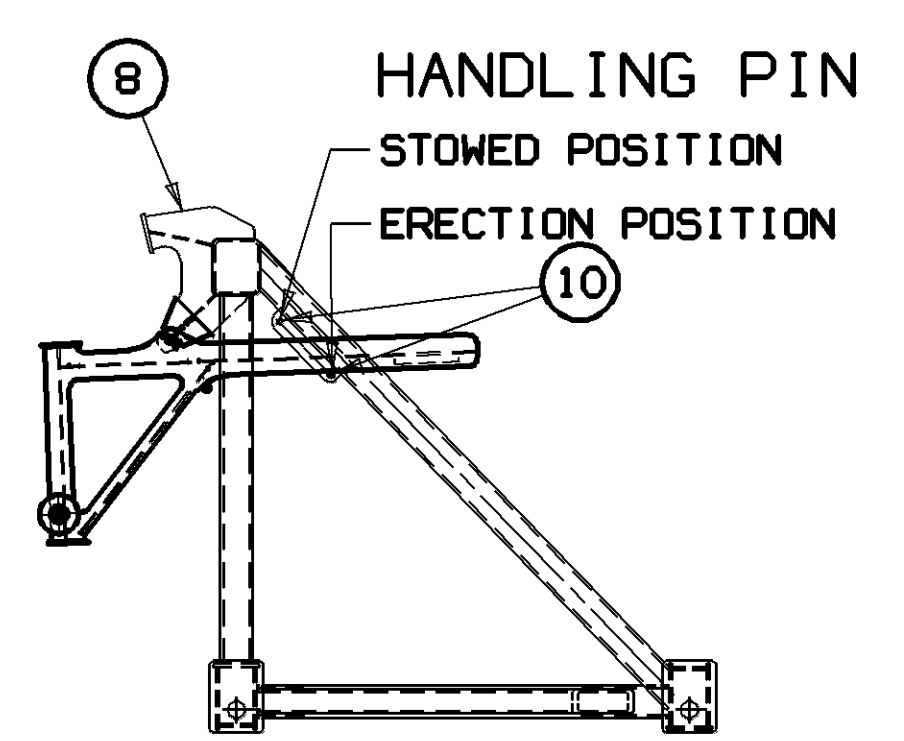
APPROX. SHIPPING POSITION  
WEIGHT = 23,245 LBS.  
SHIPPING WIDTH = 8'3" W/  
WINCH HANDLES REMOVED



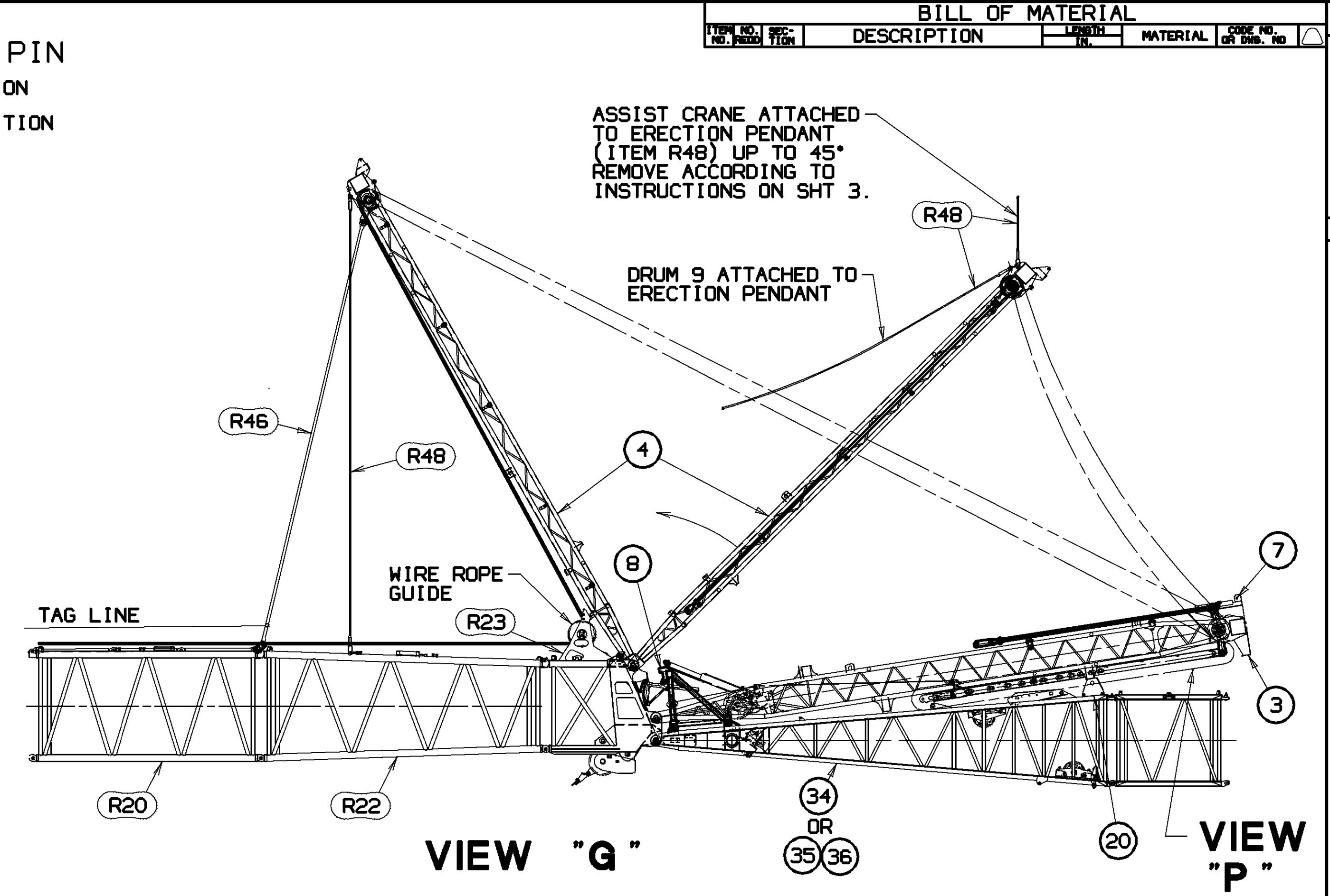
**VIEW "D"**  
SHIPPING AND HANDLING



**VIEW "P"**  
SHOWN IN 160' JIB POSITION

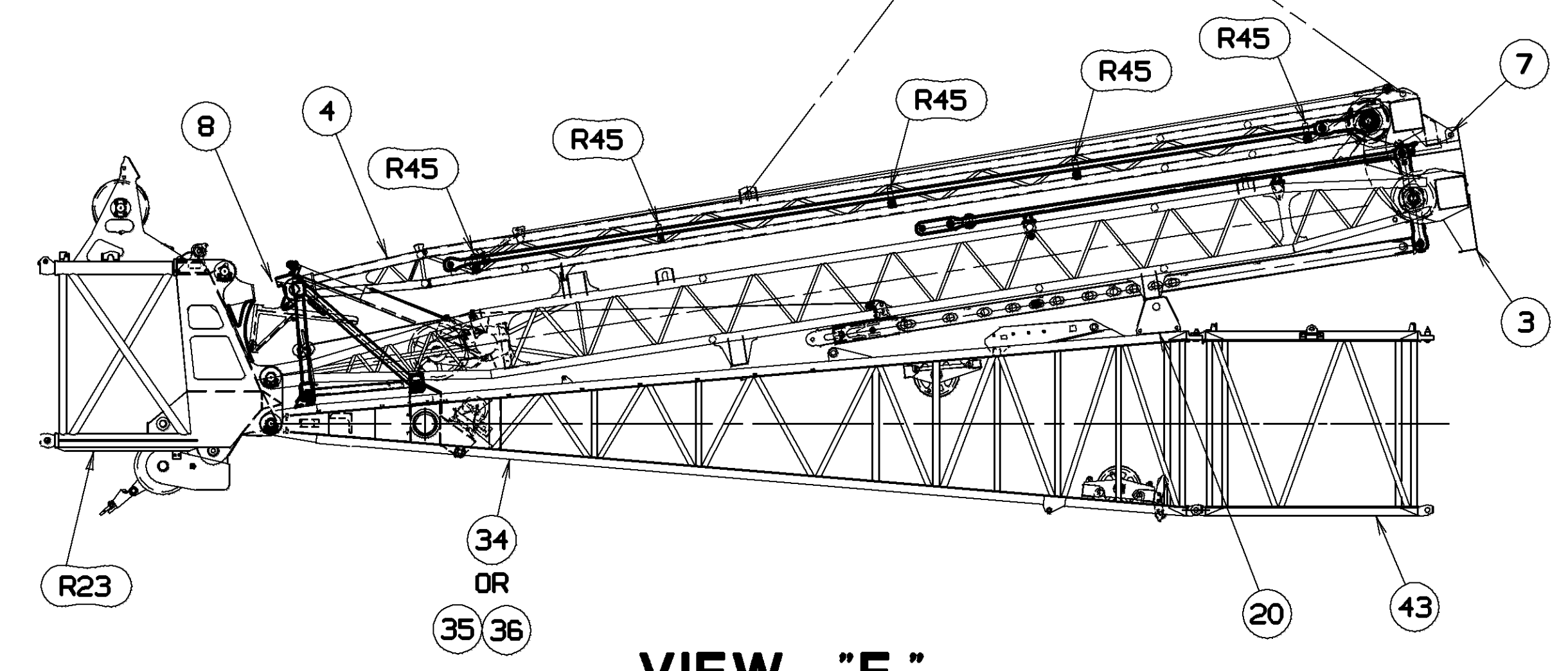


**VIEW "T"**

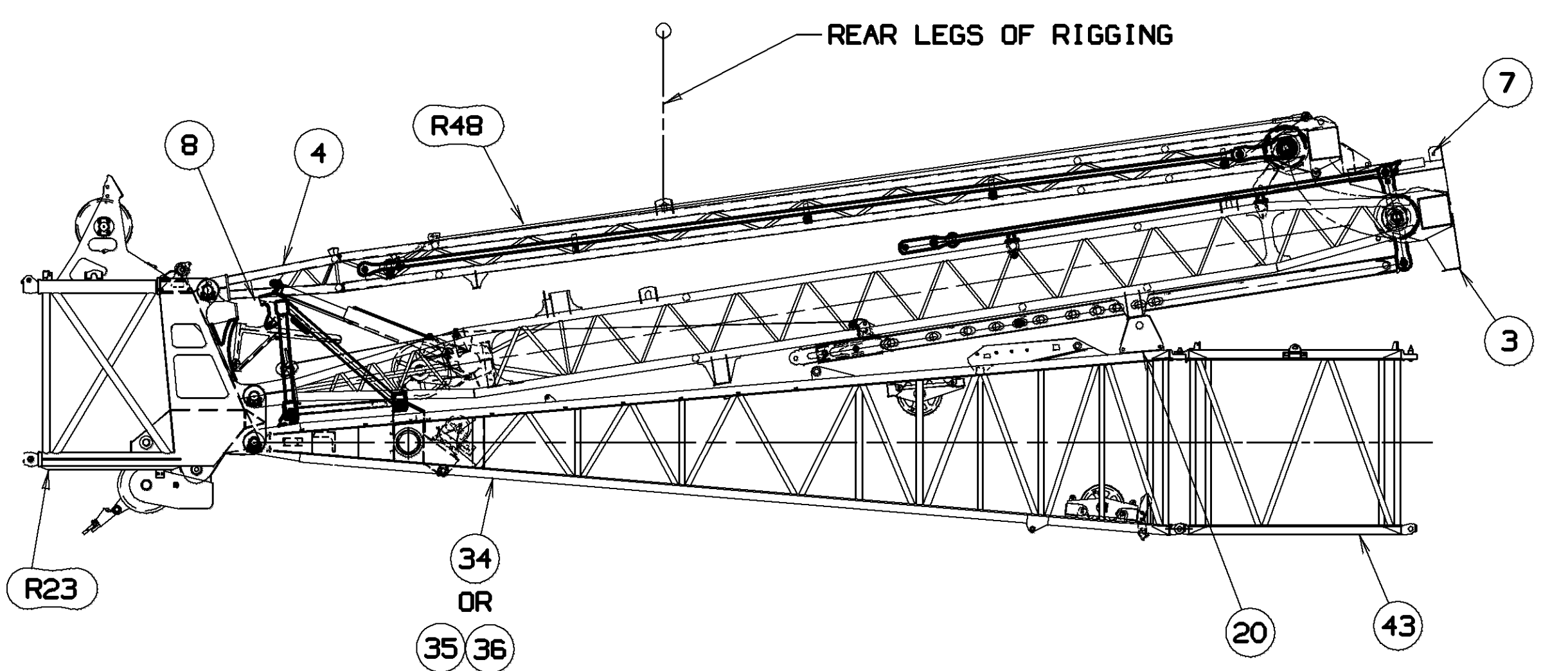


**VIEW "G"**

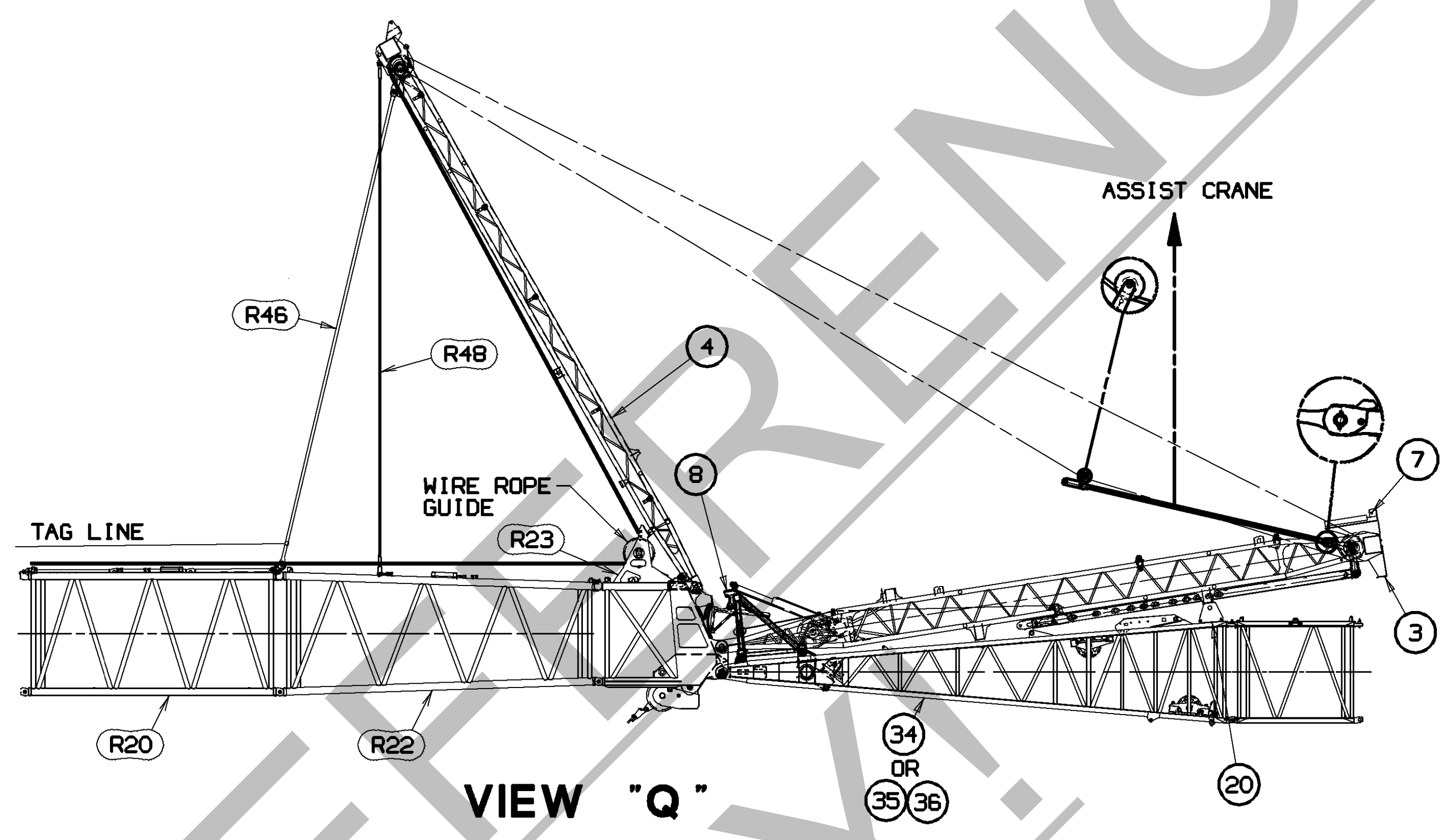
**VIEW "P"**



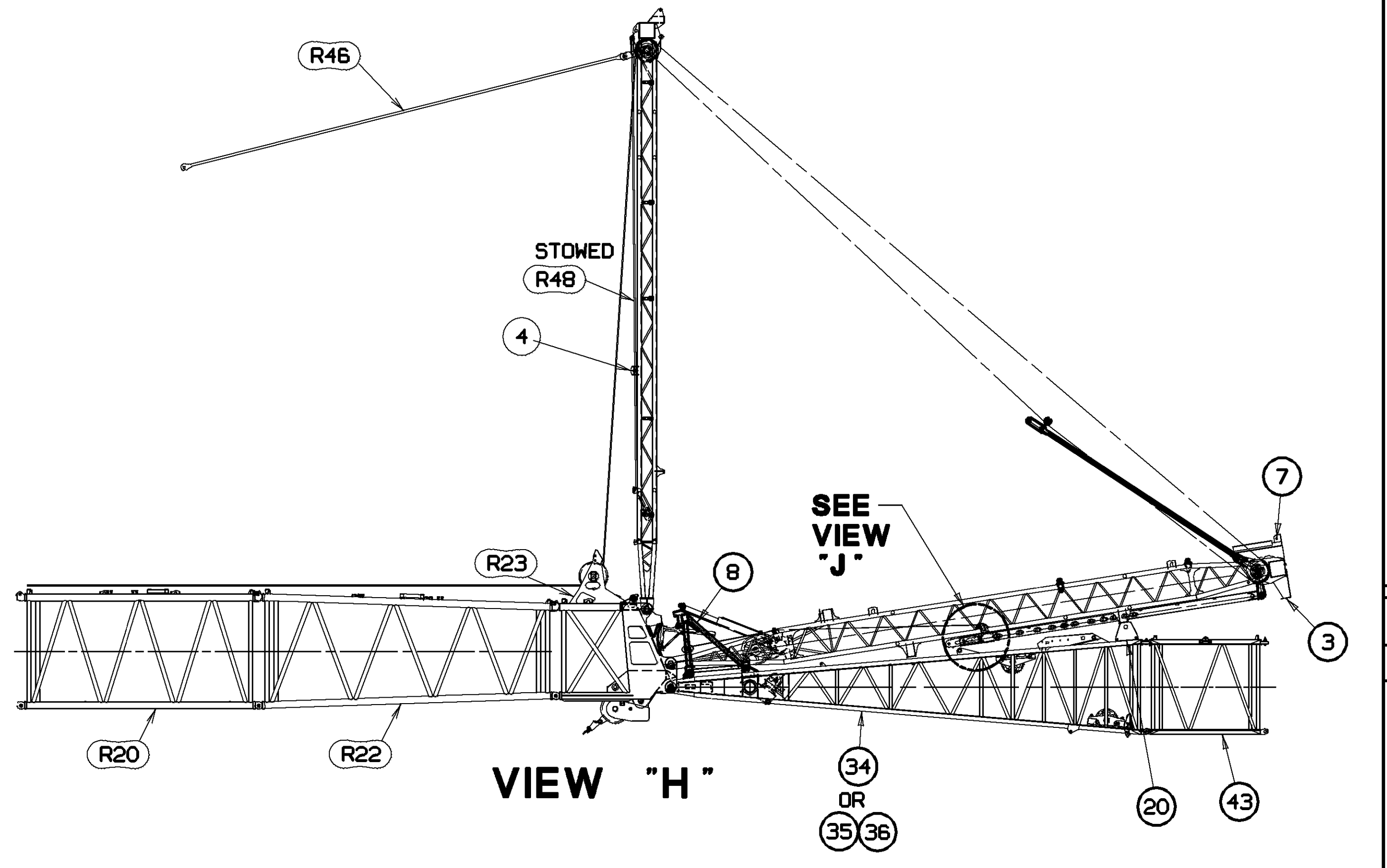
**VIEW "E"**



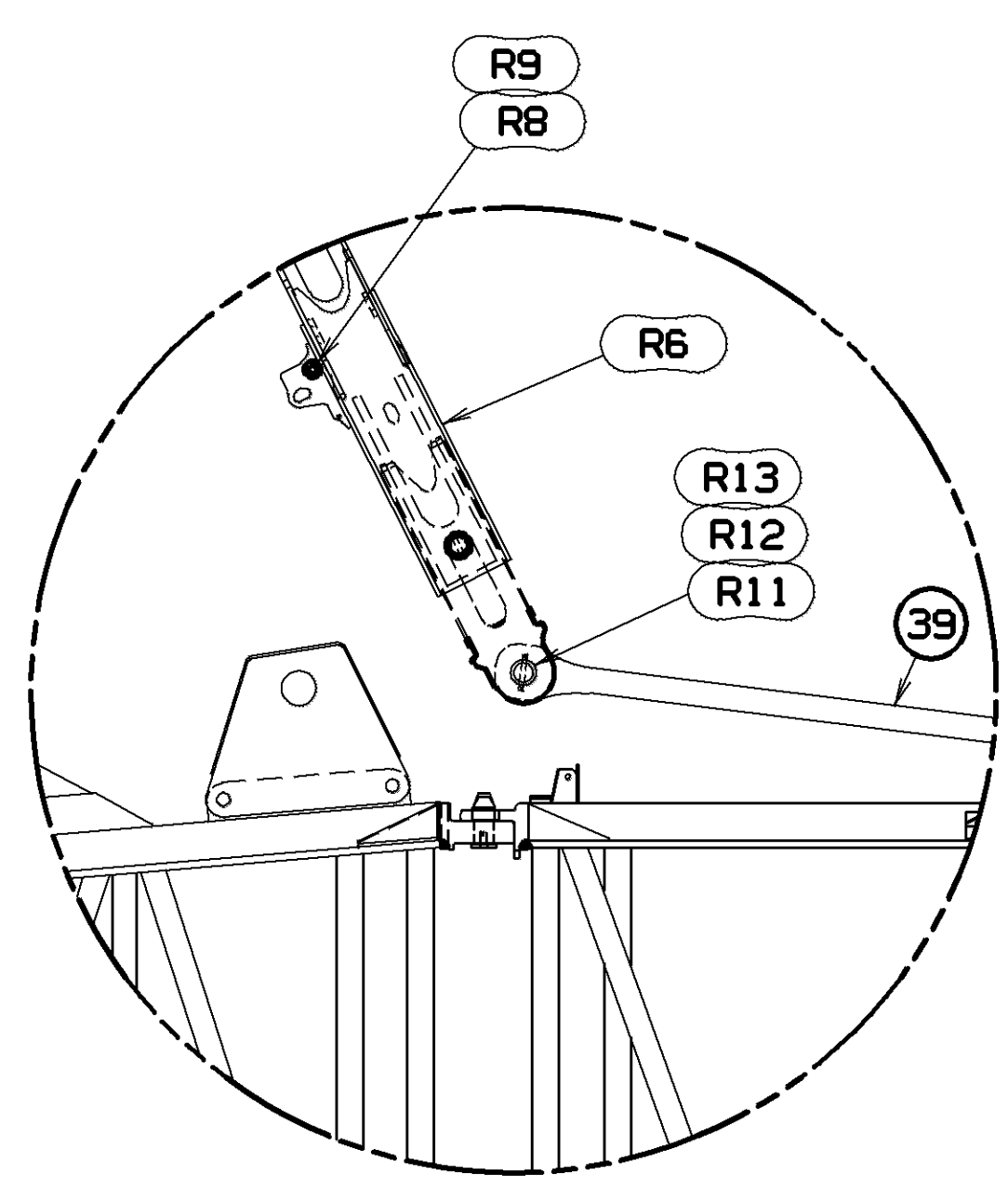
**VIEW "F"**



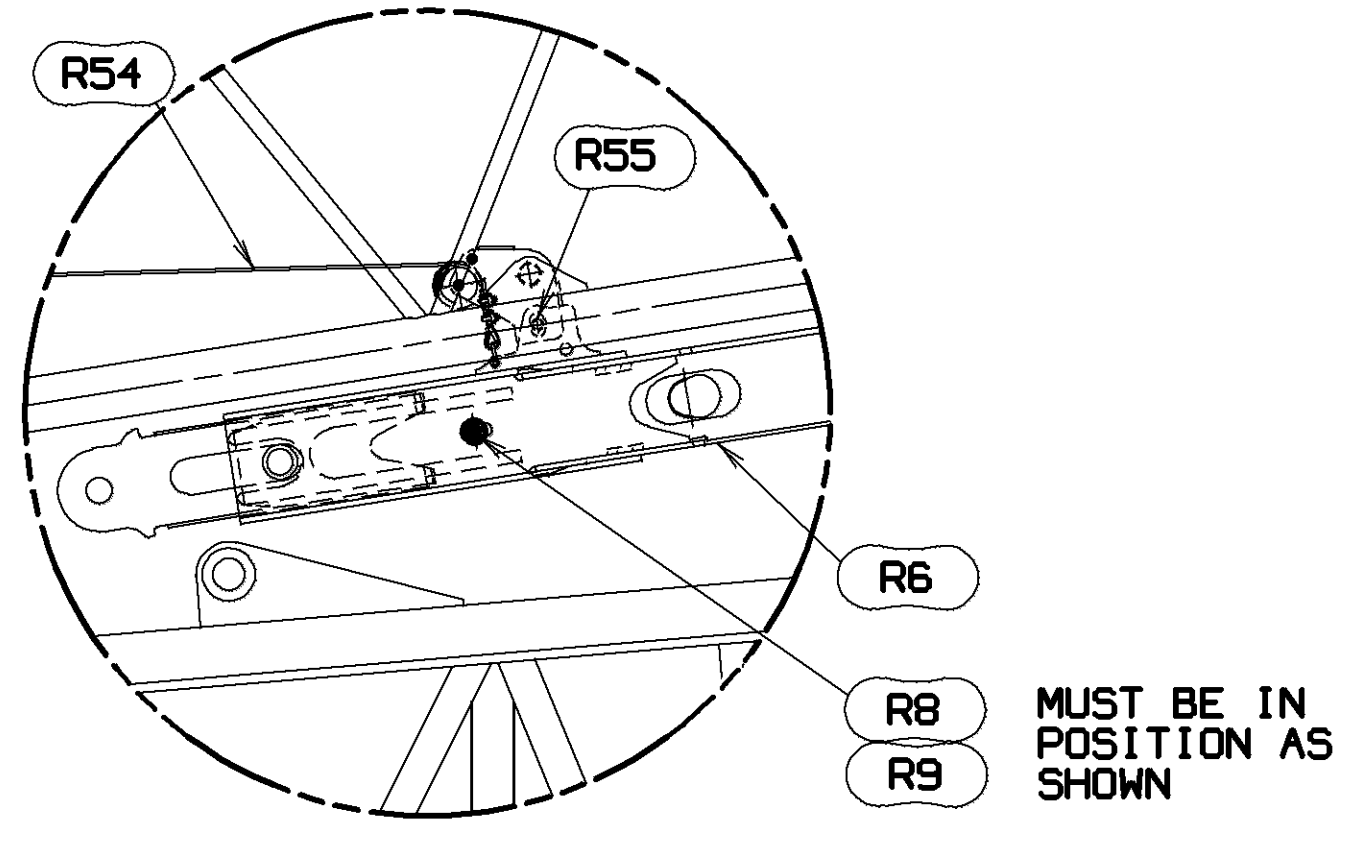
**VIEW "Q"**



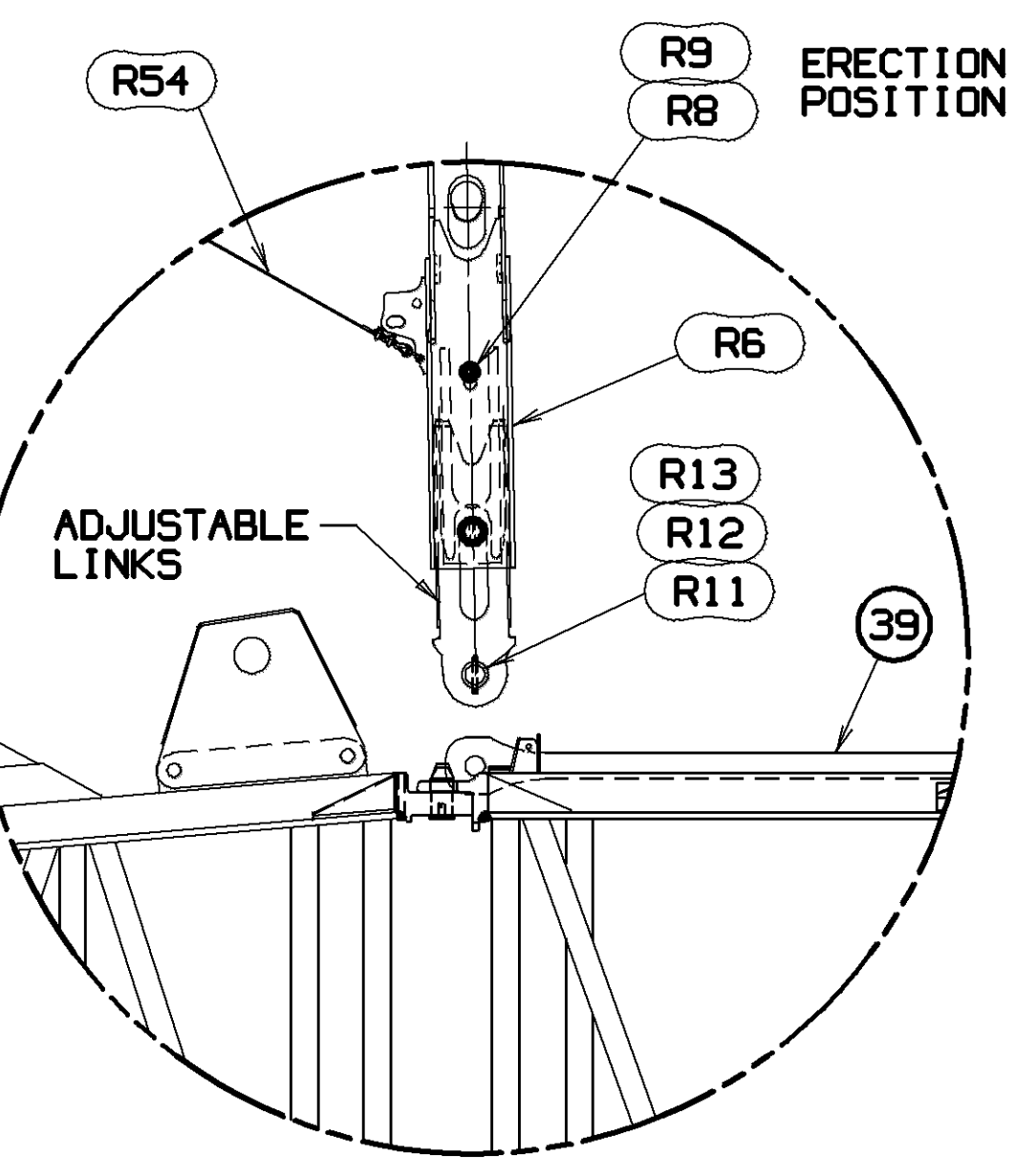
**VIEW "H"**



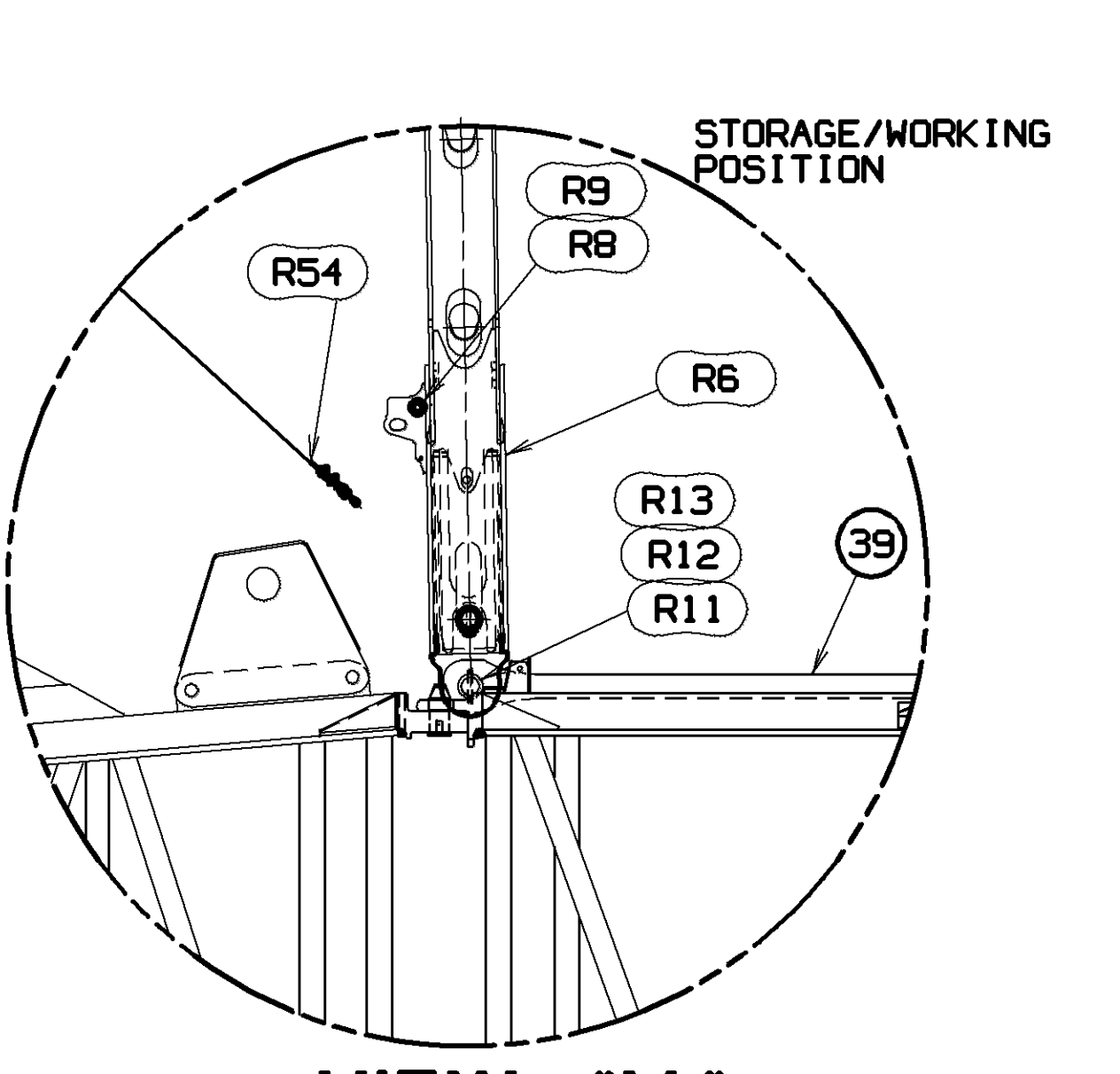
**VIEW "N"**



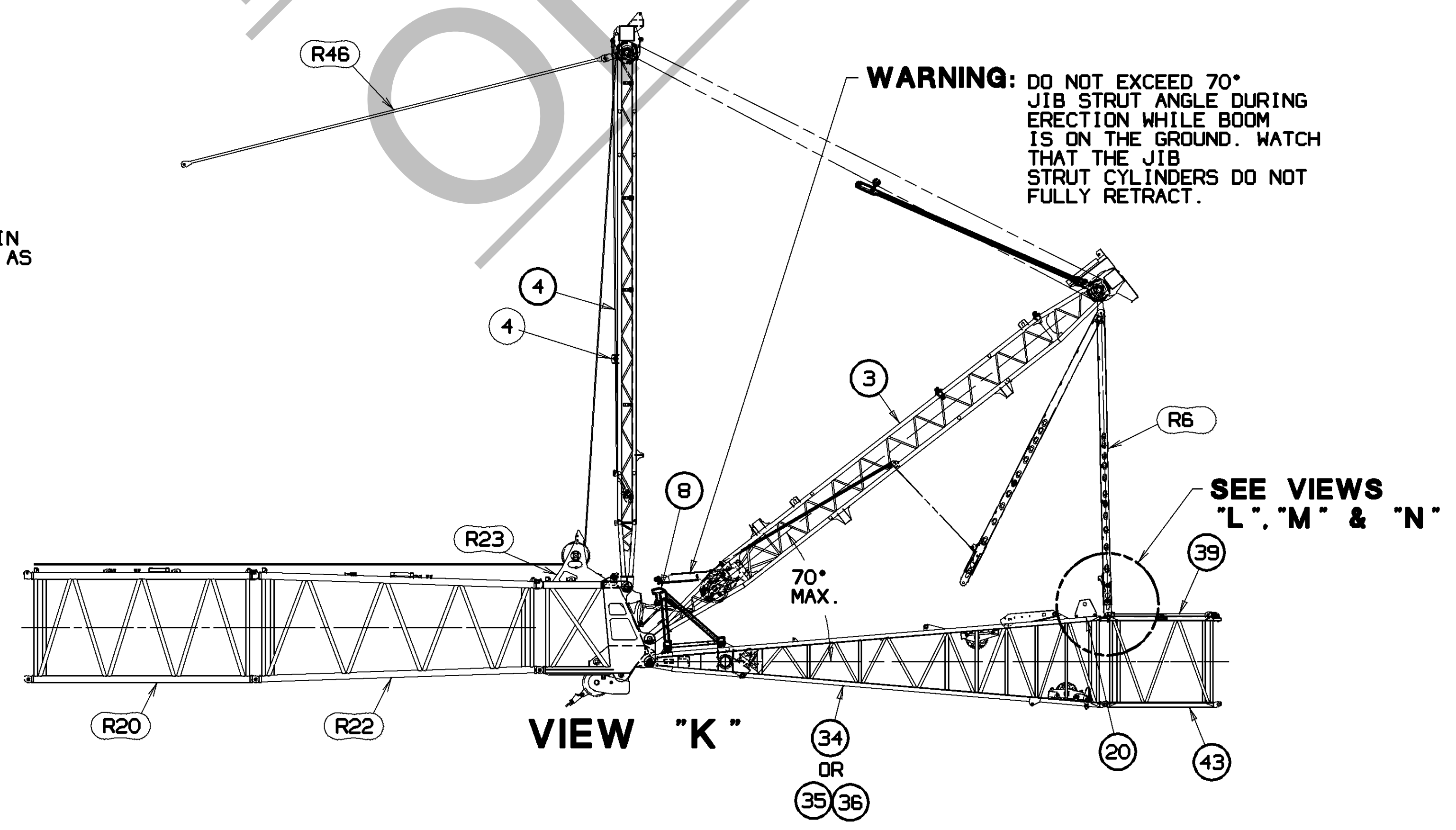
**VIEW "J"**



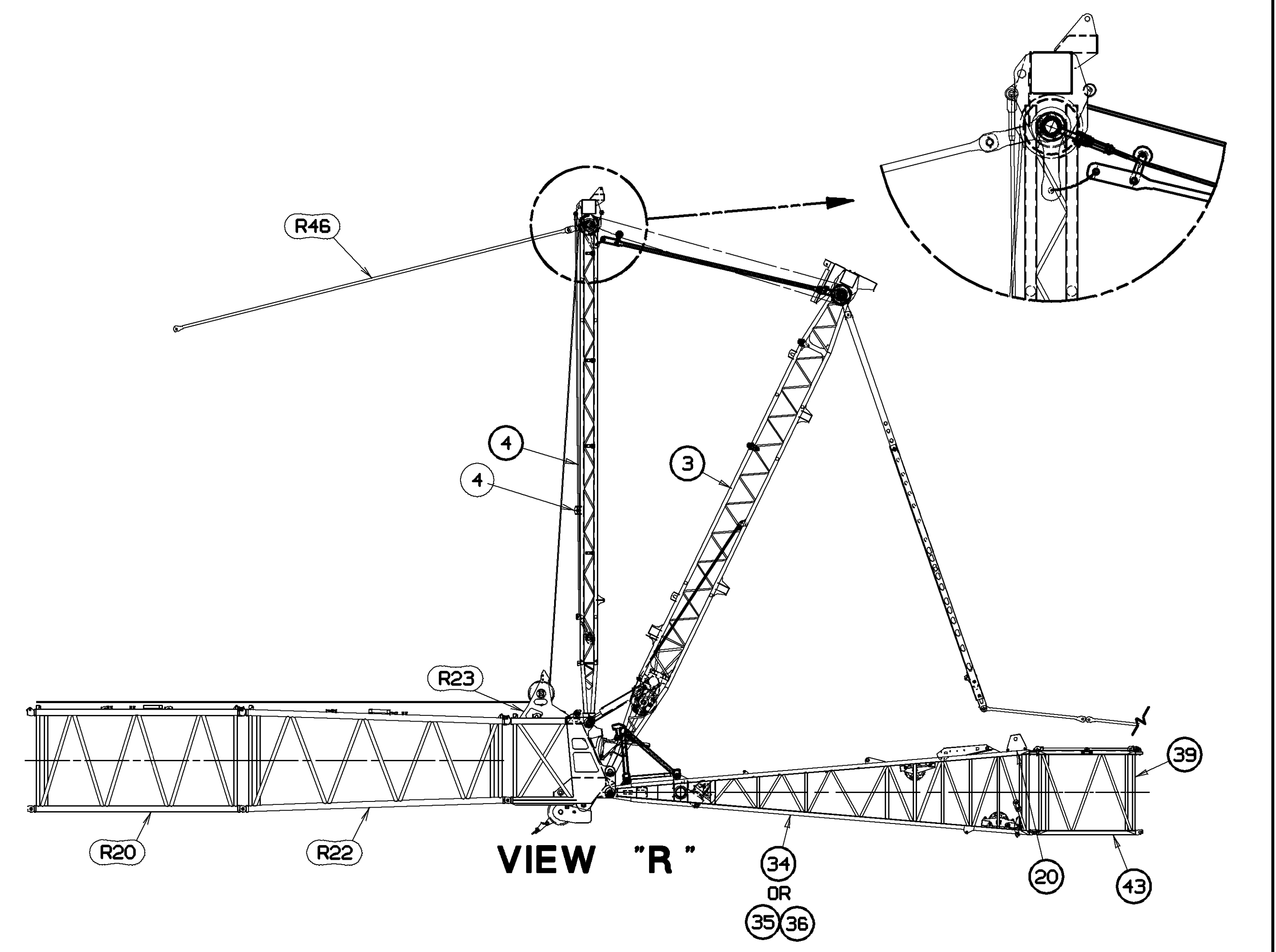
**VIEW "L"**



**VIEW "M"**



**VIEW "K"**



**VIEW "R"**

DO NOT SCALE THIS DRAWING

BILL OF MATERIAL		DATE	REV.	DESCRIPTION	MATERIAL	QTY	ASSEMBLY USED ON

196313  
SHT. 4 OF 5

THIS DRAWING IS THE PROPERTY OF MANTOWOC CRANES, INC. IT IS LOANED, SUBJECT TO RETURN AND IS NOT TO BE COPIED OR USED DIRECTLY OR INDIRECTLY IN ANY MANNER WITHOUT THE WRITTEN CONSENT OF MANTOWOC CRANES, INC.	TOLERANCES UNLESS OTHERWISE SPECIFIED DECIMAL PLACES (1) 0.00 ± 0.005 (2) 0.00 ± 0.005 (3) 0.00 ± 0.005	FABRICATION ± 10 PERCENT ± 1.00 ± 1.00 ± 1.00 ± 1.00	MACHINING ± 0.015 ± 0.015 ± 0.015	DATE 9-6-00	REV. 	DESCRIPTION #44 FIXED JIB ASSEMBLY	MANUFACTURED BY Mantowoc Cranes, Inc. Mantowoc, Wisconsin	MODEL MOD. 2250 MAXER 2000
--	---	---	--	----------------	----------	--	---	-------------------------------

196313  
SHT. 4 OF 5



REFERENCE PARTS LIST  
(SEE JIB STRUT ASSY 194160)

R54	CABLE ASSEMBLY	194997
R55	PIN	194981
R56	PIN	179863
R57	COLLAR	179862
R58	PIN	179959
R59	STRAP LINK	194979
R60	PIN	194980
R61	COLLAR	178460
R62	PIN	174149

REFERENCE PARTS LIST  
(SEE BOOM TOP ASSEMBLY 194093)

R1	PIN	194986
R2	KEEPER PLATE	171825
R3		

REFERENCE PARTS LIST  
(SEE STRAP ASSEMBLY 194869)

R4	LOAD PIN ASSEMBLY	194872
R5	STRAP LINK	194864
R6	ADJUSTABLE LENGTH JIB STRAP W/LDMT	194861
R7	STRAP EXTENSION	194865
R8	COLLAR	194966
R9	PIN	194967
R10	PIN	194968
R11	PIN	194992
R12	COLLAR	179862
R13	PIN	179959

REFERENCE PARTS LIST  
(SEE BOOM RIGGING ASSY 194041)

R18	MAST RIGGING ASSEMBLY	194363
R19	30 FT BOOM BUTT ASSEMBLY	194088
R20	20 FT INSERT ASSEMBLY	194086
R21	40 FT INSERT W/EQUALIZER PLATFORM	194091
R22	25 FT TRANSITION INSERT ASSEMBLY	194092
R23	5 FT BOOM TOP ASSEMBLY	194093
R24	40 FT INSERT W/DEFLECTOR SHEAVE ASSY	194089
R25	40 FT INSERT W/STRAPS	194087
R26	40 FT INSERT W/O STRAPS	194843
R27	STRAP SUPPORT LINK	195416
R28	STRAP PIN	194433
R29	COLLAR	194138
R30	COTTER PIN	194212
R31	STRAP PIN	179863
R32	COLLAR	179862
R33	COTTER PIN	179959
R34	STRAP, BASIC	194124
R35	STRAP LINK	192250
R36	STRAP - BASIC	194125
R37	STRAP LINK	194437
R38	BOOM EQUALIZER ASSEMBLY	194343
R39	BOOM PIN	175036
R40	SUPPORT STRAP (40FT)	179839
R41	SUPPORT STRAP (20FT)	179838
R42	BACK STAY STRAP - BASIC	194821
R43		
R44		

REFERENCE PARTS LIST  
(SEE MAIN STRUT ASSY 194162)

R45	PIN	194994
R46	STRAP - BASIC	194993
R47	STRAP LINK	194979
R48	PENDANT	276935
R49	PIN	194682
R50	COLLAR	194683
R51	PIN	194684
R52		
R53		

1911-7000 #44 LUFFING JIB BASIC

1		
2	WASHER	137502
3	JIB STRUT ASSEMBLY	194160
4	MAIN STRUT ASSEMBLY	194162
5		
6		
7	PIN	195208
8	JIB STOP ASSEMBLY	195209
9	PIN	160720
10	PIN	195666
11		
12		
13	PIN	179863
14	COLLAR	179862
15	PIN	179959
16	STRAP	179840
17	SCR MB X 30, 4.8 ZINC PLT	7121171301
18	NUT HEX M8-1.25 10 PLN	7661170004
19	WASHER LOCK M8	7951170210
20	JIB STRUT SUPPORT	195013
21	PIN	172298
22	SHAFT	195197
23	SHAFT	195204
24	KEEPER PLATE	195198
25	LUFFING JIB UPPER POINT ROLLER ASSY	174211
26	LUFFING JIB LOWER POINT ROLLER ASSY	172960
27		
28	SIGN BOOM MANITOWOC	81008829
29		
30	BOOM TOP (30 FT.)-(9.14 M)	1799153
31	PIN	78292
32	TIMBER	178905
33		

1911-7010 JIB BUTT MOD. 1 PIECE

34	#44 40 FT BOOM BUTT	1712301
----	---------------------	---------

1911-7020 JIB BUTT MOD. 2 PIECE

35	#44 40 FT BOOM, LOWER SECTION	1712831
36	40 FT. BOOM, UPPER SECTION	171284

1911-7030 #44INSERT 10 FT (3.1M)

37	PIN	78292
38	TIMBER	178905
39	BOOM SUPPORT STRAP (10 FT)	179837
40	BOOM SUPPORT LINK	192250
41	COLLAR	179862
42	PIN	179863
43	INSERT 10 FT (3.05M)	1799123
44	PIN	179959
45		
46		

1911-7040 #44INSERT 20 FT (6.1M)

47	PIN	78292
48	TIMBER	178905
49	BOOM SUPPORT STRAP (20 FT)	179838
50	BOOM SUPPORT LINK	192250
51	COLLAR	179862
52	PIN	179863
53	INSERT 20 FT (6.10M)	1799133
54	PIN	179959
55		
56		

1911-7050 #44INSERT 40 FT (12.2M)

57	PIN	78292
58	TIMBER	178905
59	BOOM SUPPORT STRAP (40 FT)	179839
60	BOOM SUPPORT LINK	192250
61	COLLAR	179862
62	PIN	179863
63	INSERT 40 FT (12.19M)	1799143
64	PIN	179959
65		
66		

OPTIONAL PARTS

67		
68	LINK	196319
69	SOCKET/WEDGE ASSEMBLY	646246
70	WIRE ROPE, 1.00 DIA (227 FT REQ'D)	7194172
71	CAT WALK ASSY 30FT #44 TOP	81016953
72	CAT WALK ASSY 10FT #44 INSERT	810169453
73	CAT WALK ASSY 20FT #44 INSERT	810169463
74	CAT WALK ASSY 40FT #44 INSERT	810169473

BOOM SECTION OPTIONAL CAT WALK ASSY

179915	81016965
179912	81016945
179913	81016946
179914	81016947

ADDITIONAL PARTS REQ'D. FOR VARIOUS JIB LENGTHS

ITEM NO.	43	53	63	39	49	59	31, 37, 47 OR 57	32, 38, 48 OR 58	40, 50 OR 60	14, 41, 51 OR 61	13, 42, 52 OR 62	15, 44, 54 OR 64	ADJUSTABLE STRAP LENGTHS	
													POSITION	STRAP LENGTH
70	23.3	0	0	0	0	0	0	0	0	0	0	0	70	580.00
80	24.4	1	0	0	0	0	4	1	4	4	4	4	80	557.87
90	27.4	0	1	0	0	0	4	1	4	4	4	4	90	539.75
100	30.5	1	1	0	2	0	8	2	8	8	8	8	100	524.88
110	33.5	OR 0	2	0	0	4	8	2	8	8	8	8	110	512.38
120	36.6	OR 1	2	0	2	4	12	3	12	12	12	12	120	501.75
130	39.6	0	1	1	0	2	8	3	8	8	8	8	130	
140	42.7	1	1	1	2	2	12	4	12	12	12	12	140	484.75
150	45.7	OR 0	2	1	0	4	12	4	12	12	12	12	150	
160	48.8	OR 1	2	1	2	4	16	5	16	16	16	16	160	471.88
170	51.8	0	1	2	0	2	12	5	12	12	12	12	170	
180	54.9	1	1	2	2	2	16	6	16	16	16	16	180	461.63
190	57.9	OR 0	2	2	0	4	16	6	16	16	16	16	190	
200	61.0	OR 1	2	3	0	6	16	7	16	16	16	16	200	450.13
210	64.0	0	1	3	0	2	16	7	16	16	16	16	210	
220	67.1	1	1	3	2	2	20	8	20	20	20	20	220	
230	70.1	OR 0	2	3	0	4	20	8	20	20	20	20	230	441.13
240	73.2	OR 1	2	3	2	4	24	9	24	24	24	24	240	

PARTS REQUIRED FOR VARIOUS BOOM LENGTHS (BOOM INSERT, BOOM STRAPS AND JIB BACKSTAY STRAPS) (PART 1)

ASSY ITEM NO.	R20						R25						R26						R24						
	20 FT(6.10M) INSERT W/STRAPS						40 FT(12.19M) INSERT W/STRAPS						40 FT(12.19M) INSERT W/O STRAPS						40 FT(12.19M) INSERT W/SHEAVES						
ASSY PART NO.	194086						194087						194843						194089						
PART ITEM NO.	PARTS INCLUDED IN THIS ASSEMBLY:						PARTS INCLUDED IN THIS ASSEMBLY:						PARTS INCLUDED IN THIS ASSEMBLY:						PARTS INCLUDED IN THIS ASSEMBLY:						
PART DESC.	20 FT W/LDMT	19 FT STRAP	LINK	PIN	COLLAR	PIN	40 FT W/LDMT	39 FT STRAP	LINK	PIN	COLLAR	PIN	40 FT W/LDMT	39 FT STRAP	LINK	PIN	COLLAR	PIN	40 FT W/LDMT	39 FT STRAP	LINK	PIN	COLLAR	PIN	
W/LDMT PART NO.	193412	179838	192250	179863	179862	179959	193413	179839	192250	179863	179862	179959	193413	179839	192250	179863	179862	179959	193874	179839	192250	179863	179862	179959	
BOOM LENGTHS	FEET	METERS																							
140	43.7	0	0	0	0	0	0	0	0	0	0	0	0	0	0	0	0	0	1	1	2	4	4	4	4
160	48.8	1	1	2	4	4	0	0	0	0	0	0	0	0	0	0	0	0	1	1	2	4	4	4	4
180	54.9	0	0	0	0	0	0	0	0	0	0	0	1	1	2	4	4	4	1	1	2	4	4	4	4
200	61.0	1	1	4	8	8	0	0	0	0	0	0	1	1	2	4	4	4	1	1	2	4	4	4	4
220	67.0	0	0	0	0	0	1	1	4	8	8	8	1	1	2	4	4	4	1	1	2	4	4	4	4
240	73.2	1	1	4	8	8	1	1	4	8	8	8	1	1	2	4	4	4	1	1	2	4	4	4	4
260	79.2	0	0	0	0	0	2	2	8	16	16	16	1	1	2	4	4	4	1	1	2	4	4	4	4
280	85.3	1	1	4	8	8	2	2	8	16	16	16	1	1	2	4	4	4	1	1	2	4	4	4	4
300	91.4	0	0	0	0	0	3	3	12	24	24	24	1	1	2	4	4	4	1	1	2	4	4	4	4

PARTS REQUIRED FOR VARIOUS BOOM LENGTHS (W/BOOM INSERT, BOOM STRAPS AND JIB BACKSTAY STRAPS) (PART 2)

ASSY ITEM NO.	R19						R21						R22						R23									
	30 FT(9.14M) BOOM BUTT						40 FT(12.19M) INSERT W/EQUAL						25 FT(7.62M) TRANSITION INSERT						5 FT(1.52M) BOOM TOP									
ASSY PART NO.	194088						194091						194092						194093									
PART ITEM NO.	PARTS INCLUDED IN THIS ASSEMBLY:						PARTS INCLUDED IN THIS ASSEMBLY:						PARTS INCLUDED IN THIS ASSEMBLY:						PARTS INCLUDED IN THIS ASSEMBLY:									
PART DESC.	30 FT W/LDMT	JIB STRAP	LINK	PIN	COLLAR	PIN	40 FT W/LDMT	39 FT STRAP	LINK	PIN	COLLAR	PIN	25 FT W/LDMT	STRAP BASIC	LINK	PIN	COLLAR	PIN	BOOM TOP W/LDMT	STRAP BASIC	LINK	PIN	COLLAR	PIN	PIN	COLLAR	PIN	
W/LDMT PART NO.	193411	194821	192250	179863	179862	179959	194090	179839	192250	179863	179862	179959	193414	194125	192250	179863	179862	179959	193415	194124	194156	179863	179862	179959	194433	194138	194212	
BOOM LENGTHS	FEET	METERS																										
140	43.7	1	1	2	8	6	1	1	2	4	4	4	1	1	2	4	4	4	1	1	2	4	4	4	2	2	2	
160	48.8	1	1	2	8	6	1	1	2	4	4	4	1	1	2	4	4	4	1	1	2	4	4	4	2	2	2	
180	54.9	1	1	2	8	6	1	1	2	4	4	4	1	1	2	4	4	4	1	1	2	4	4	4	2	2	2	
200	61.0	1	1	2	8	6	1	1	2	4	4	4	1	1	2	4	4	4	1	1	2	4	4	4	2	2	2	
220	67.0	1	1	2	8	6	1	1	2	4	4	4	1	1	2	4	4	4	1	1	2	4	4	4	2	2	2	
240	73.2	1	1	2	8	6	1	1	2	4	4	4	1	1	2	4	4	4	1	1	2	4	4	4	2	2	2	
260																												