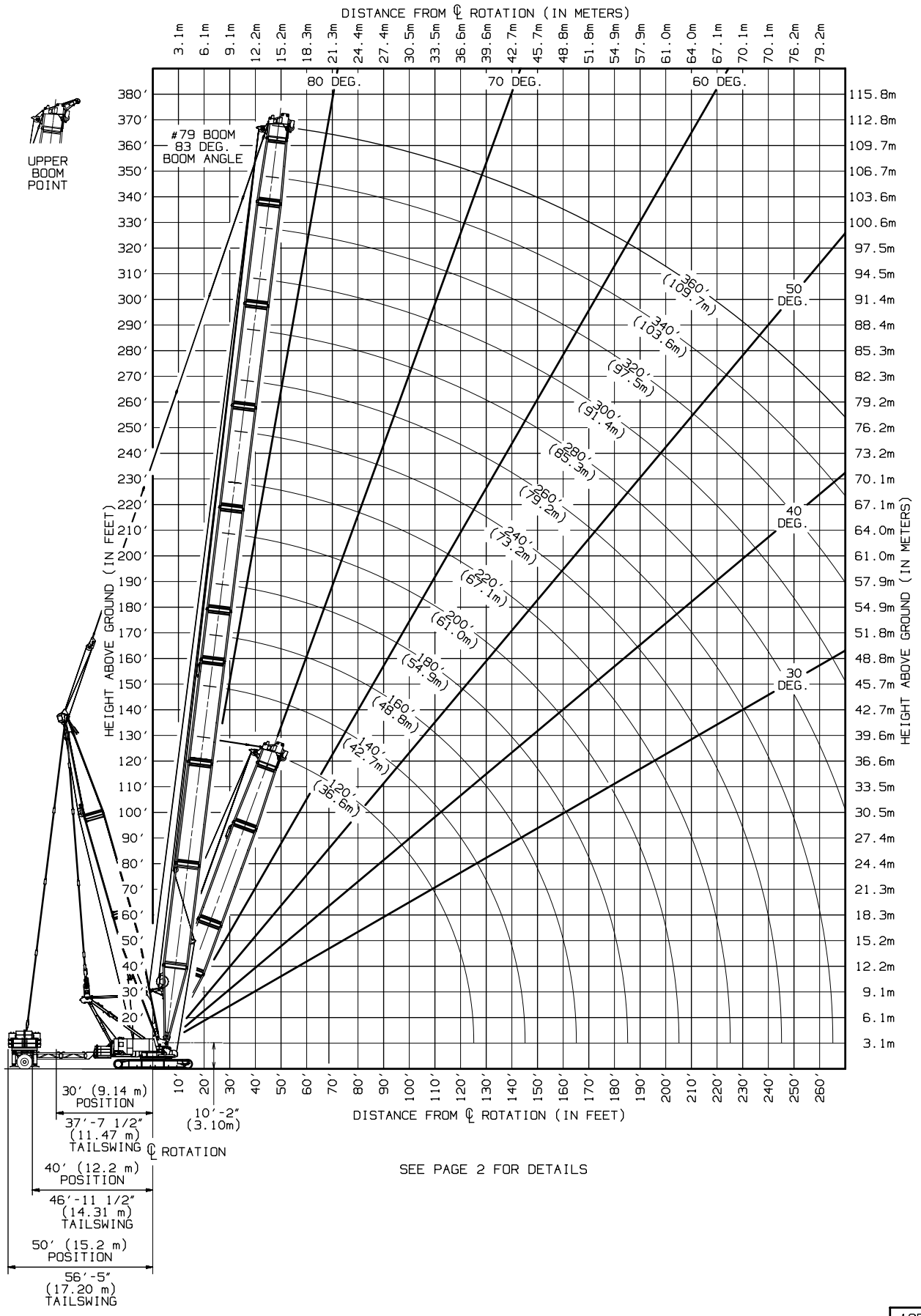
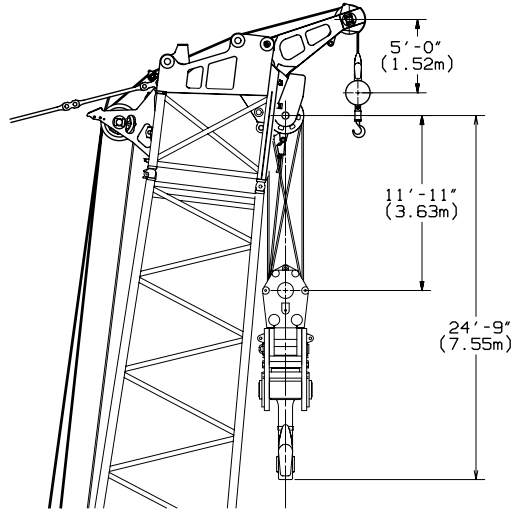


MANITOWOC CRANES, INC.



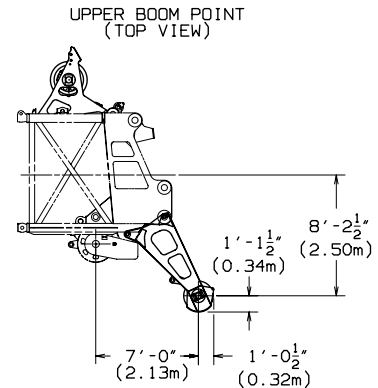
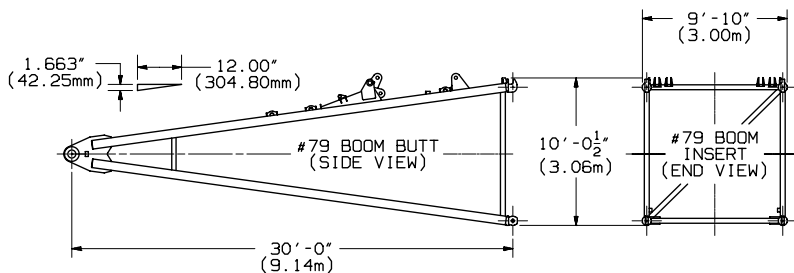
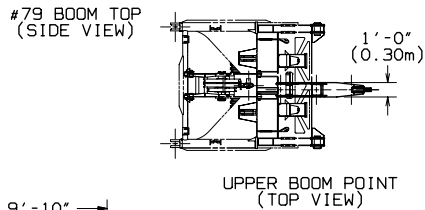
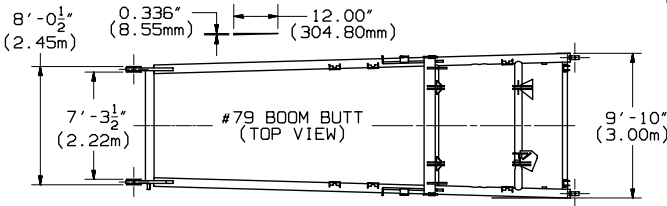
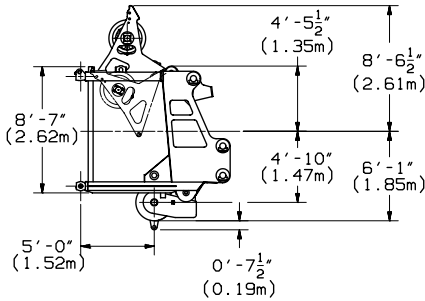
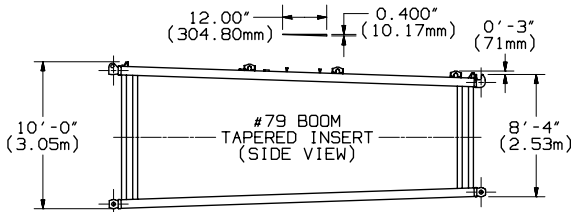
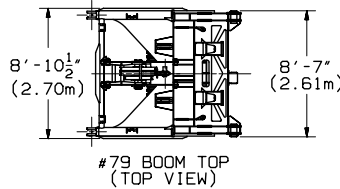
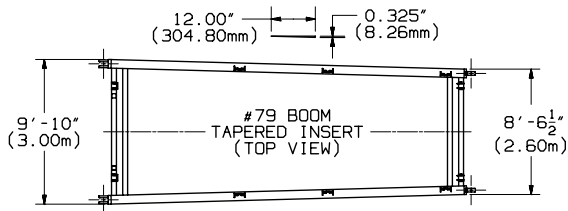
RANGE DIAGRAM - 2250 MAX-ER 2000 (#79 BOOM)

- NOTE 1: THIS DRAWING IS INTENDED ONLY AS A GUIDE TO ASSIST IN JOB PLANNING.
- NOTE 2: FOR PLANNING A LIFT, THIS DRAWING IS TO BE USED IN CONJUNCTION WITH APPROPRIATE CAPACITY CHARTS, RANGE CHART, WIRE ROPE SPECIFICATIONS, RIGGING DRAWING, AND OUTLINE DIMENSIONS.
- NOTE 3: FOR PLANNING LIFTS WHERE CLEARANCES ARE LIMITED AND ACCURACY IS DESIRED, A DETAILED LAYOUT SHOULD BE PREPARED.
- NOTE 4: WHEN EQUIPPED WITH BLOCK-UP LIMIT CONTROL, LOAD BLOCK TO BOOM POINT/JIB POINT MINIMUM DISTANCE MAY BE MORE THAN INDICATED. SEE OPERATOR'S MANUAL FOR "BLOCK-UP LIMIT CONTROL".
- NOTE 5: MAXIMUM BOOM ANGLE 83 DEGREES FOR NO. 79 BOOM.



450 TON (408.2 mT) BLOCK TO BOOM POINT
MINIMUM DISTANCE
#79 BOOM - 26 PARTS OF LINE

MINIMUM DISTANCE MEASUREMENTS
BASED ON 83° BOOM ANGLE.



UPPER BOOM POINT
(SIDE VIEW)