

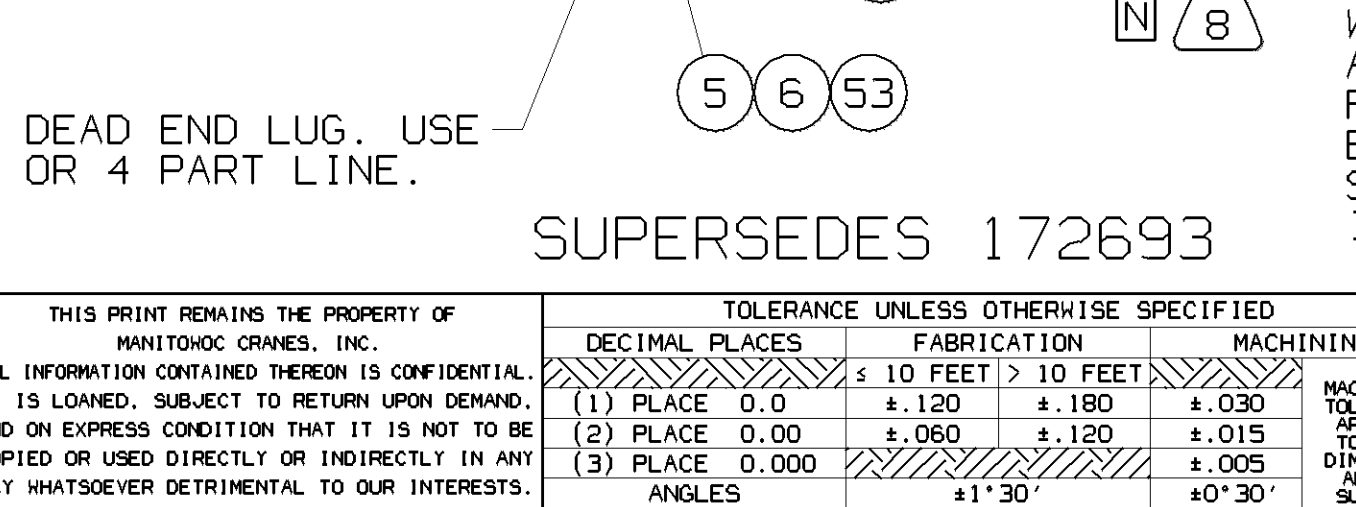
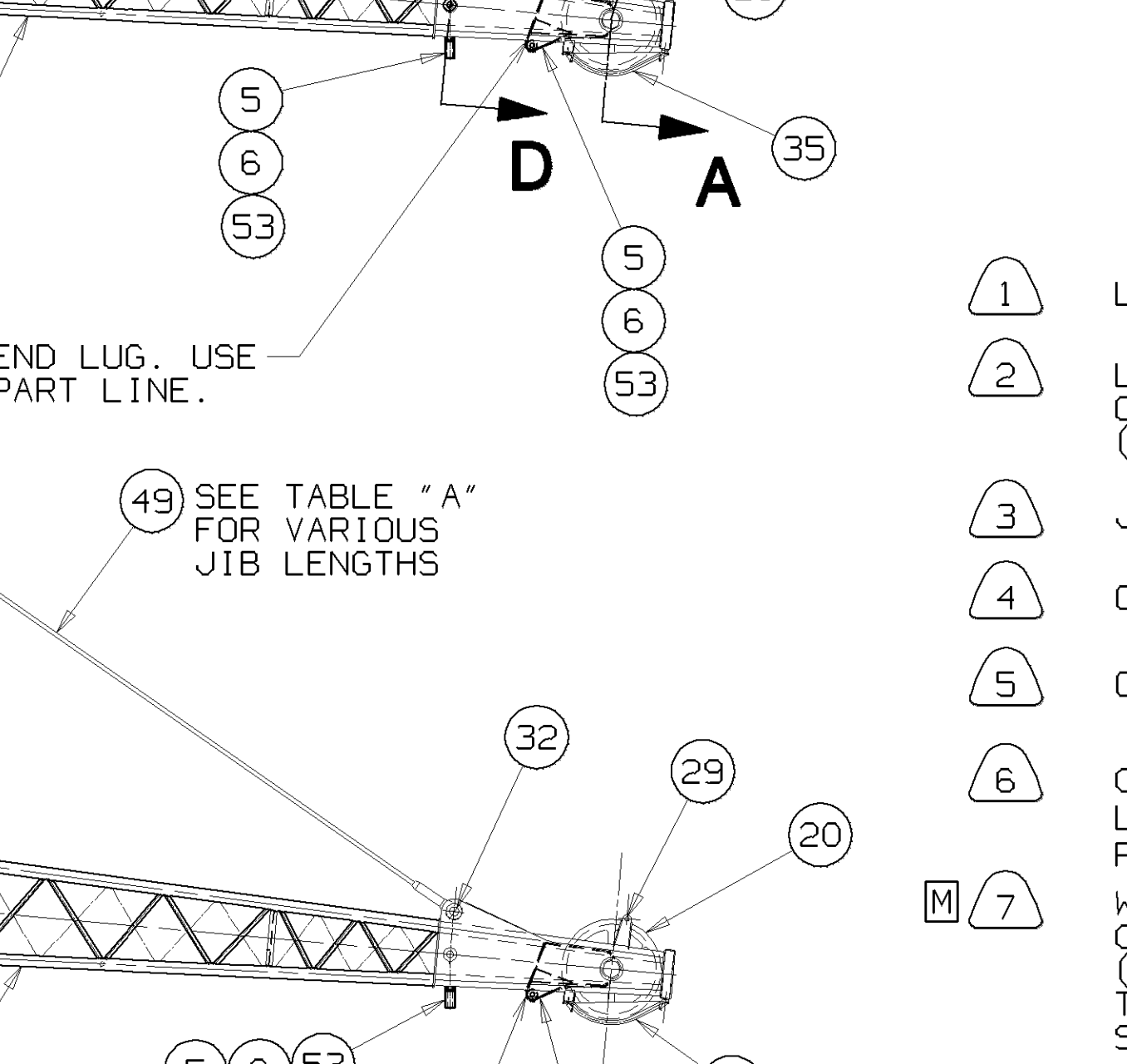
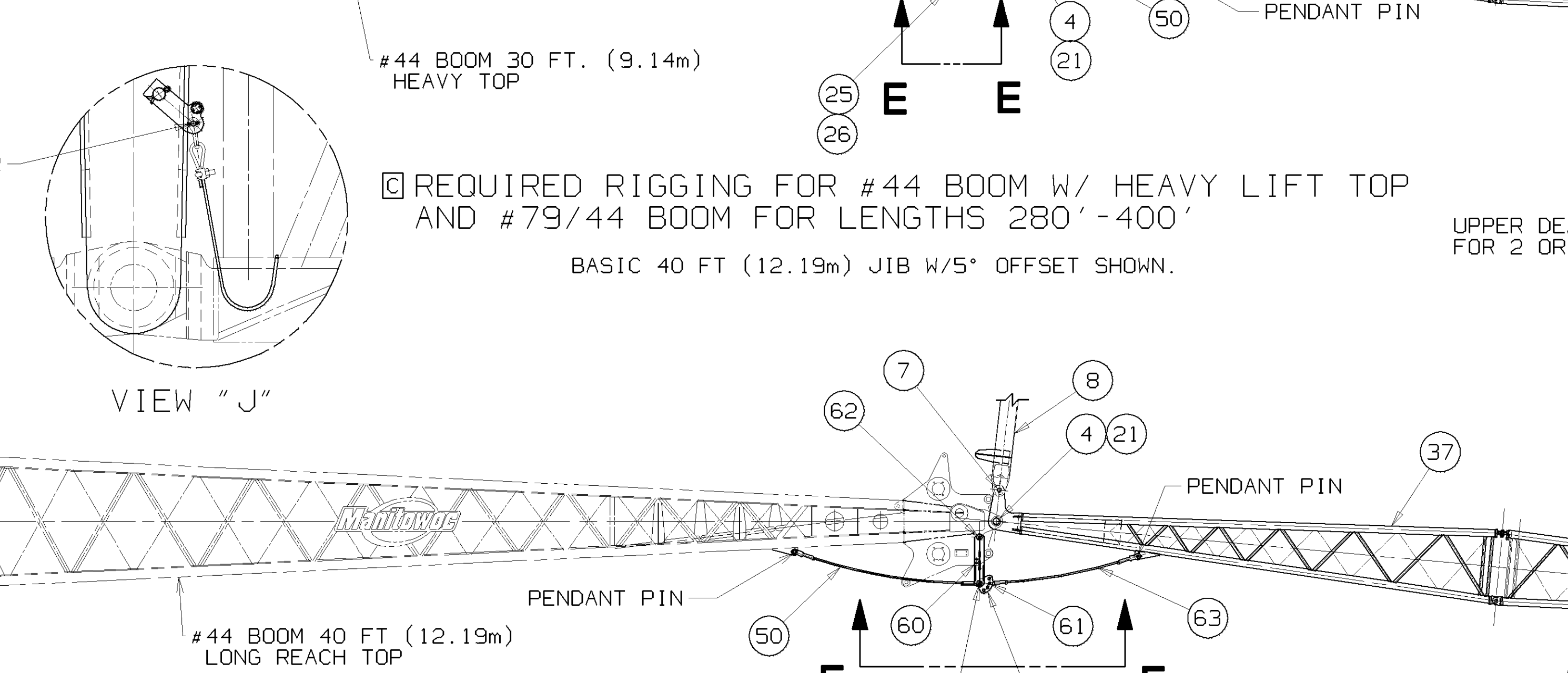
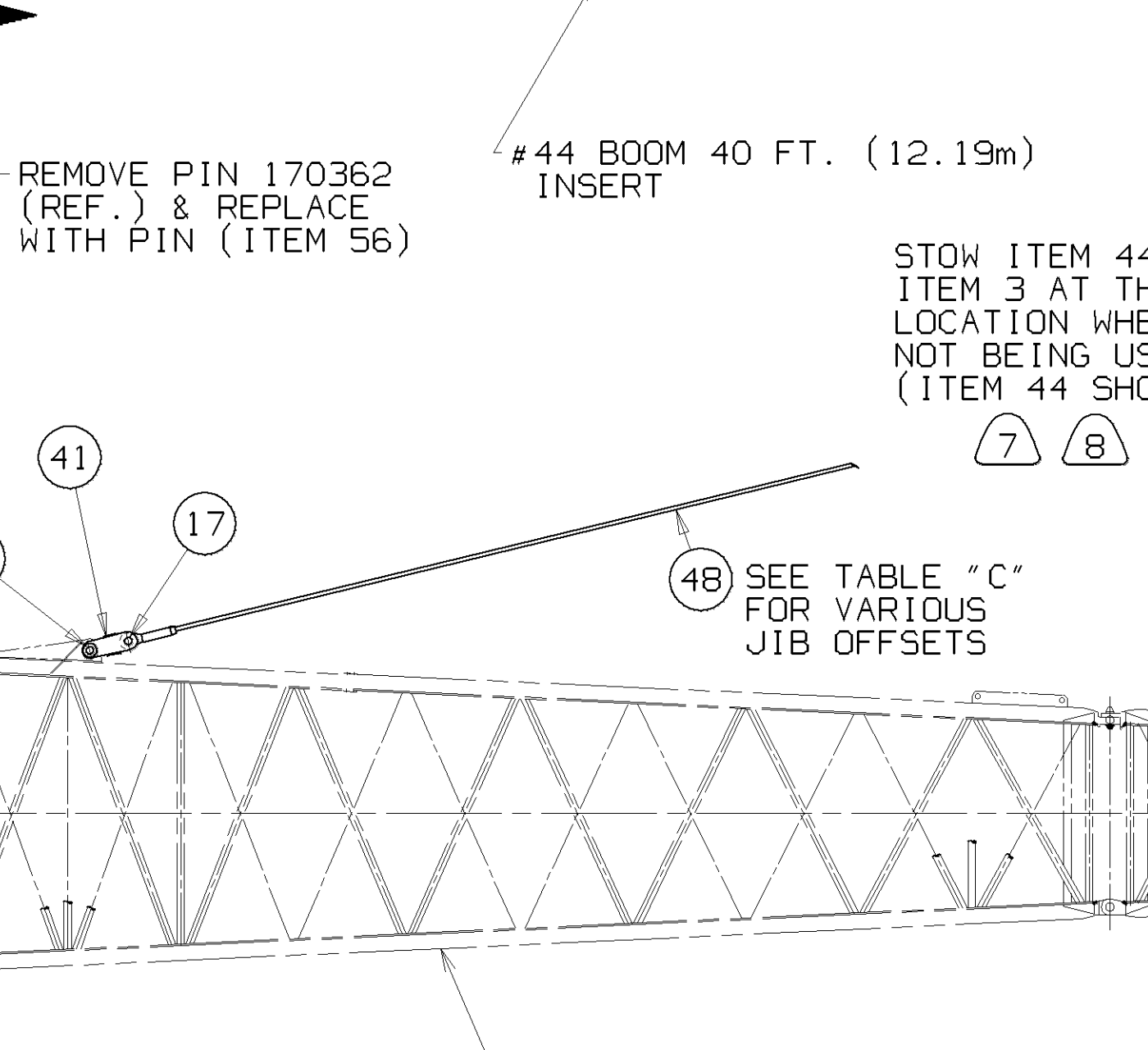
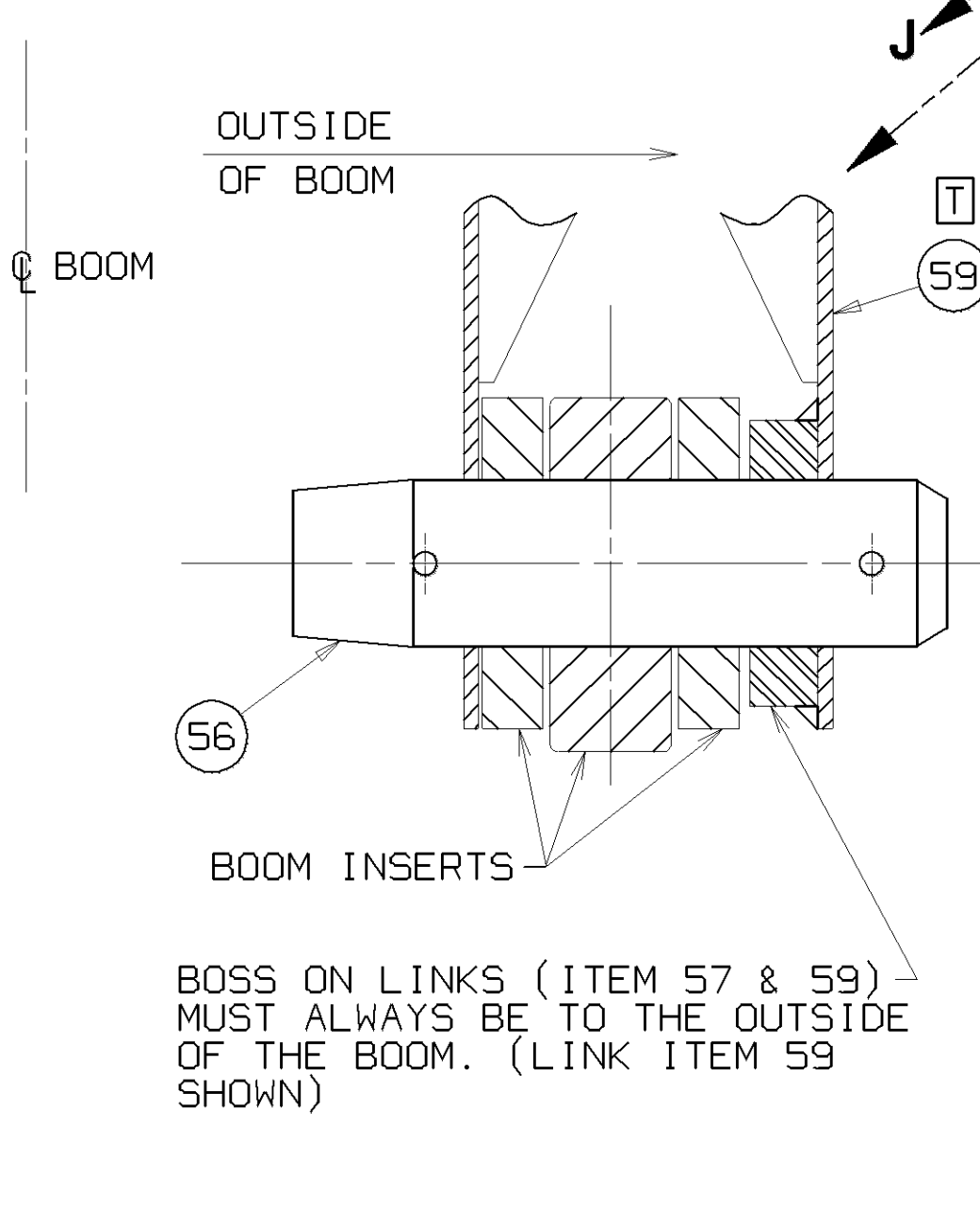
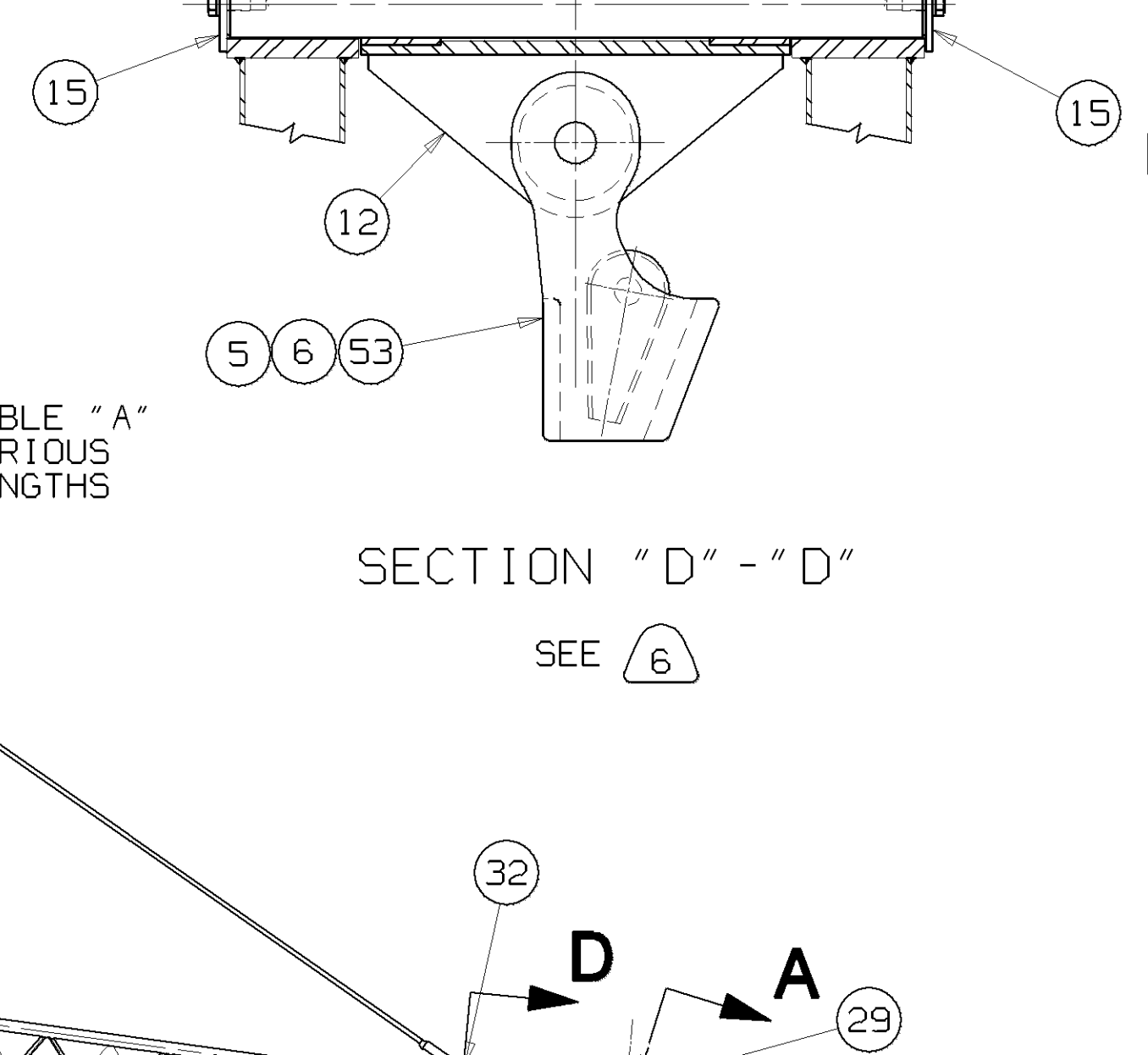
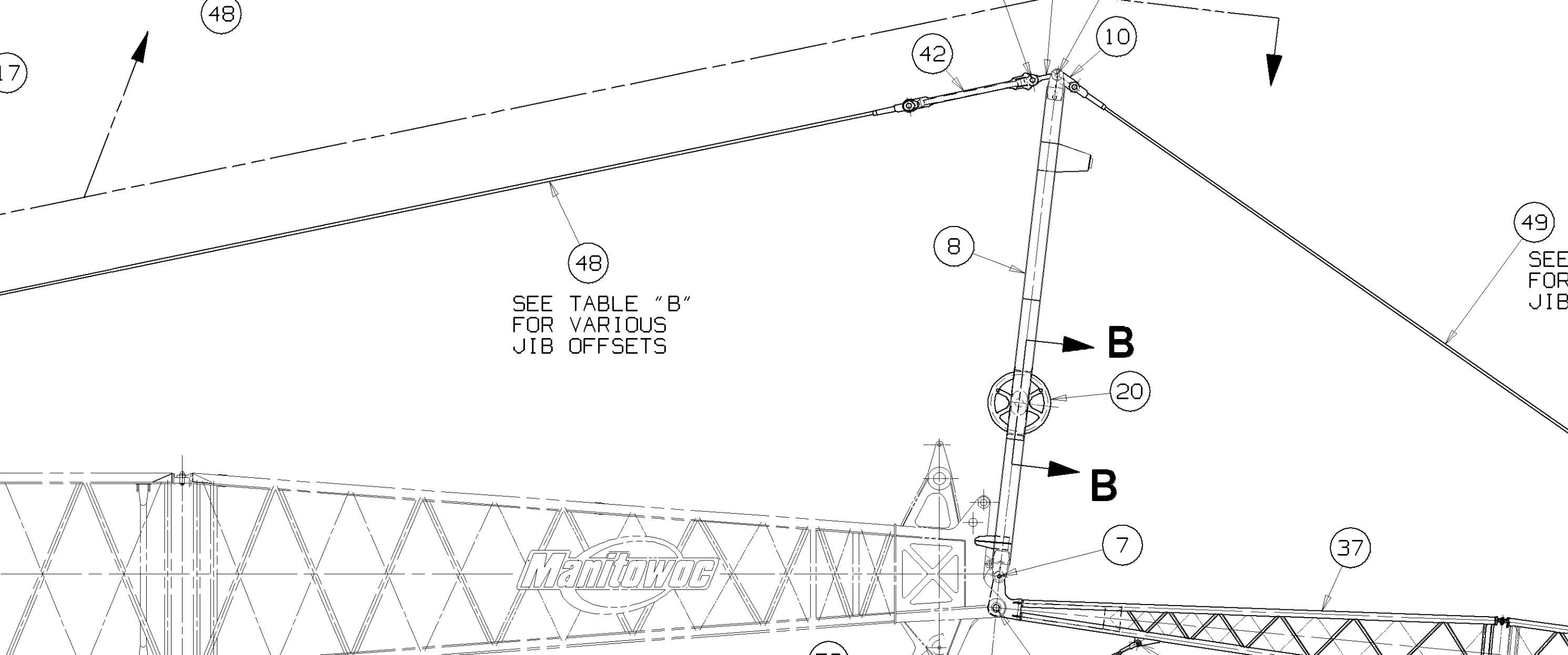
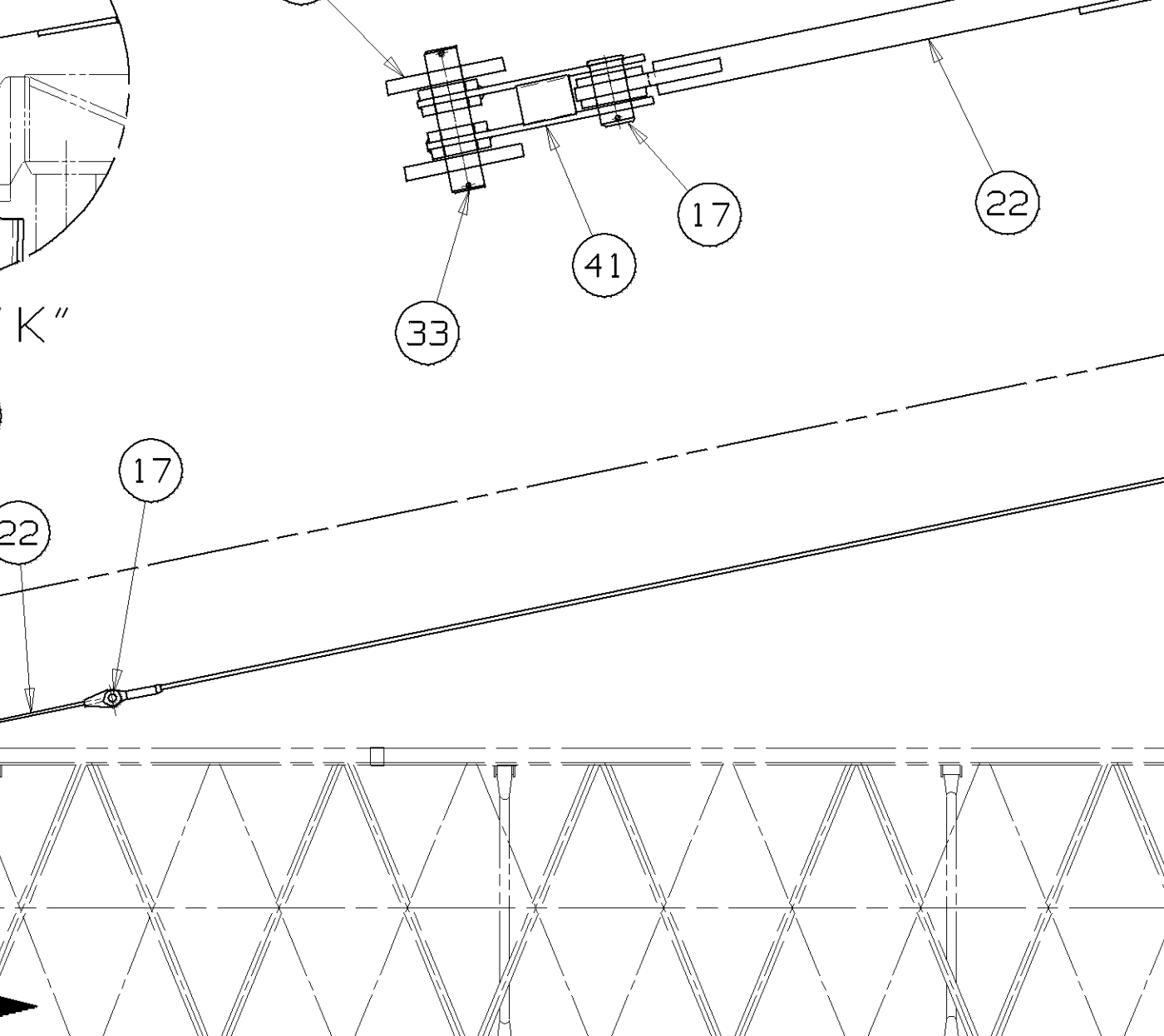
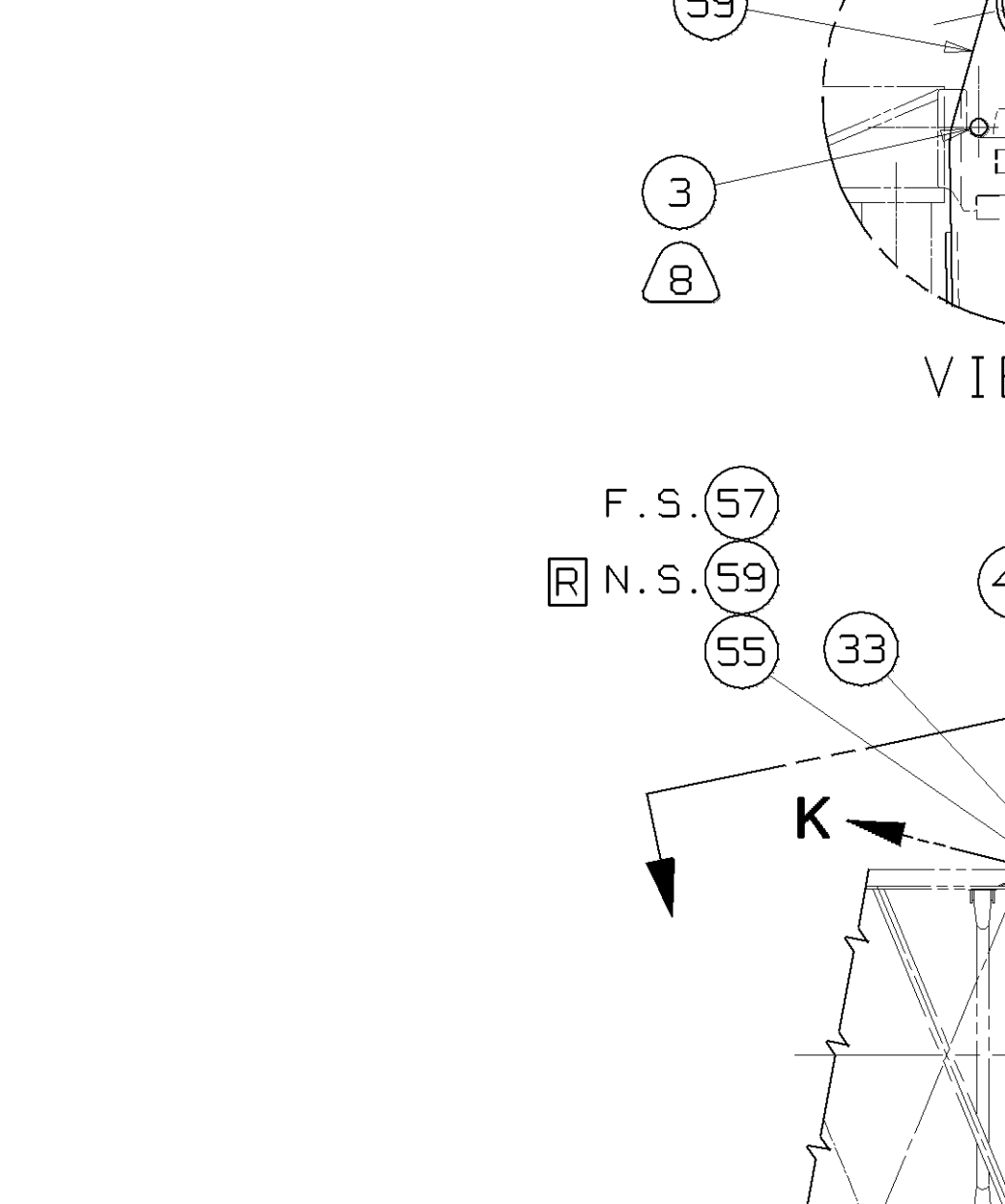
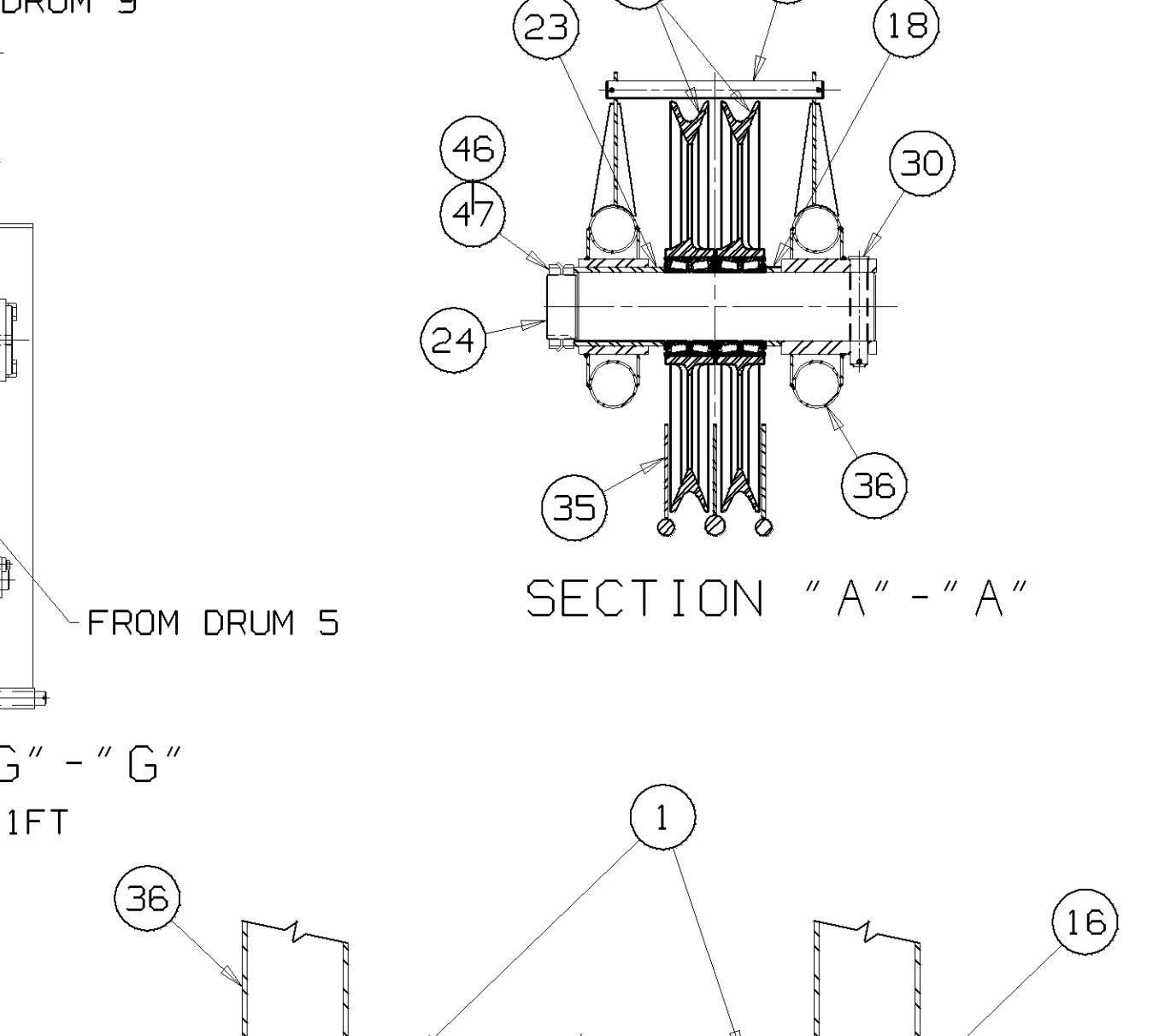
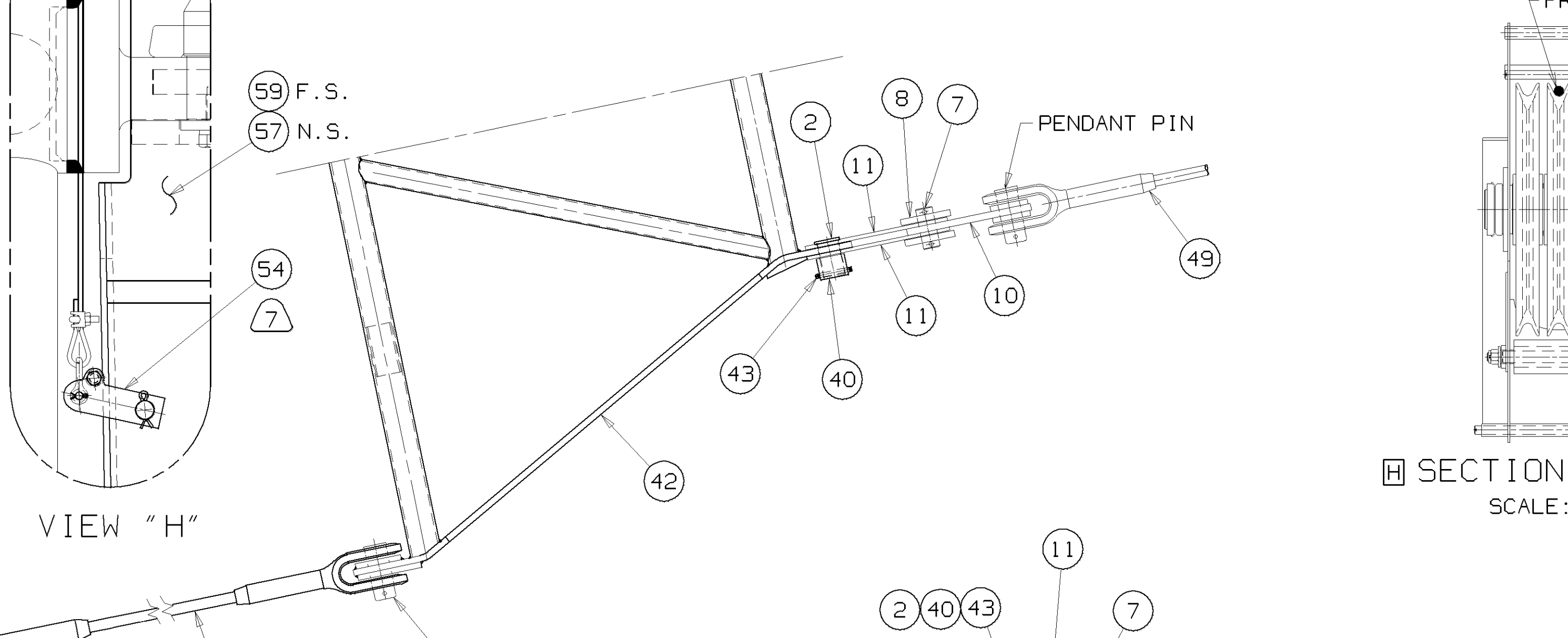
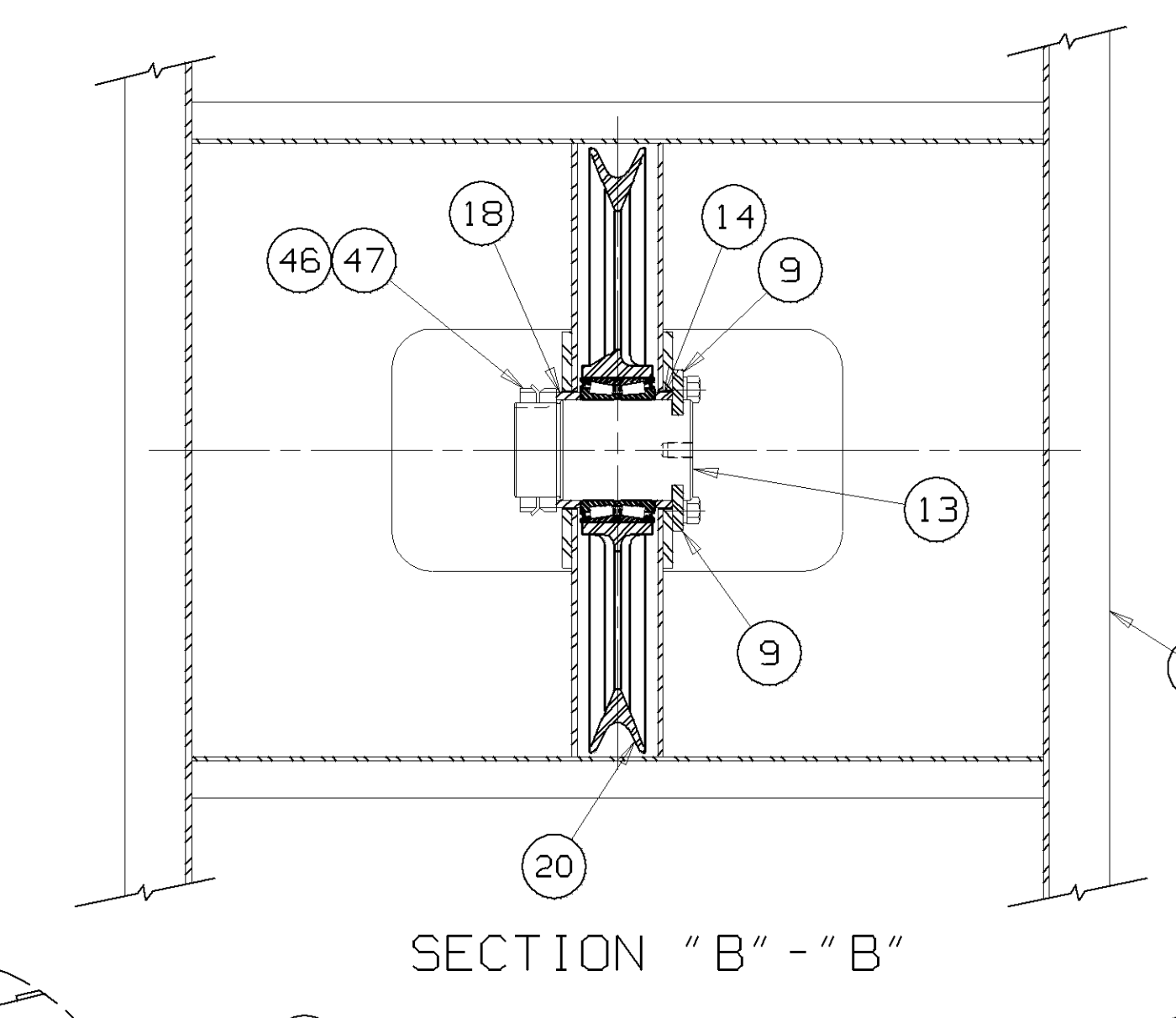
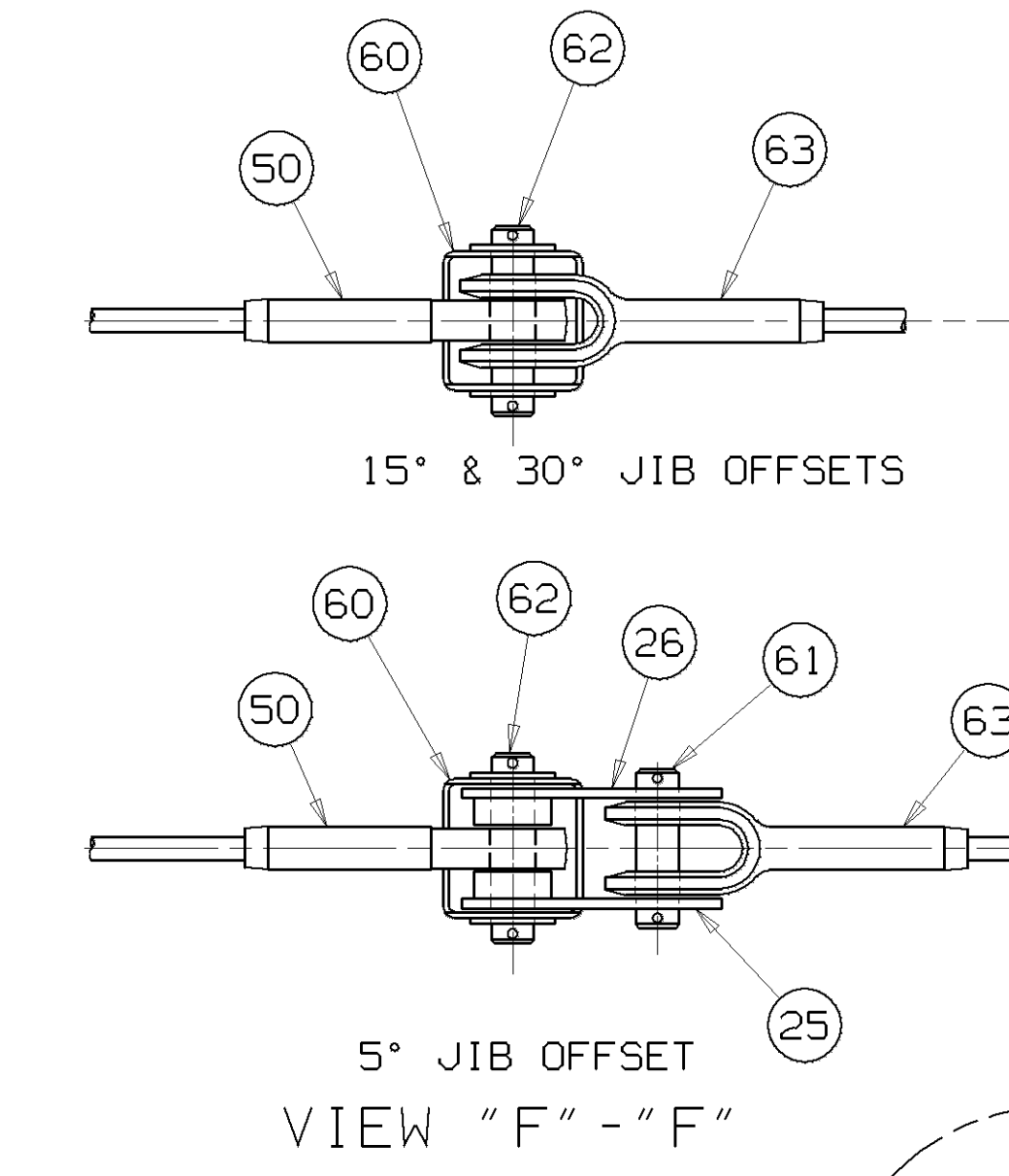
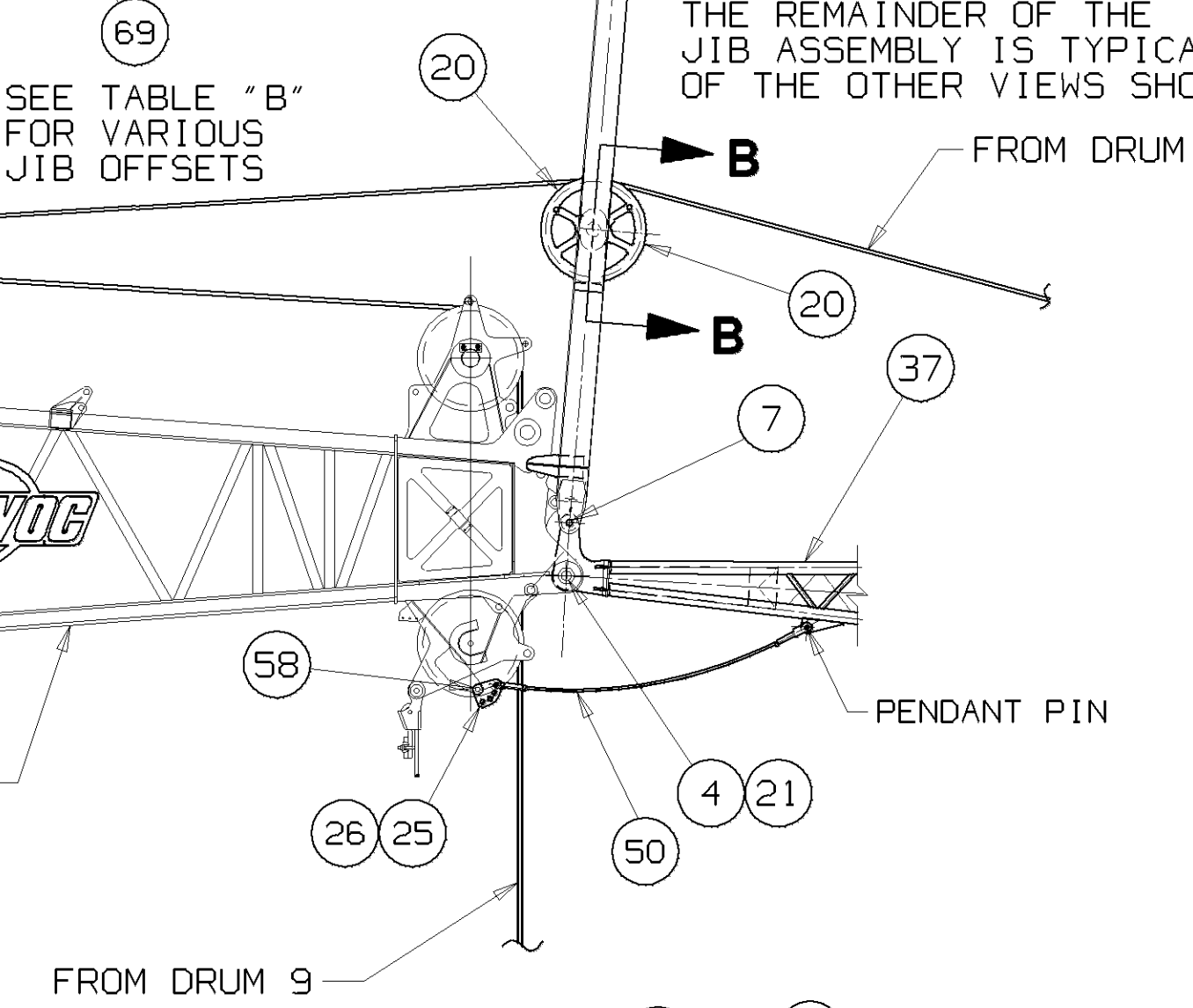
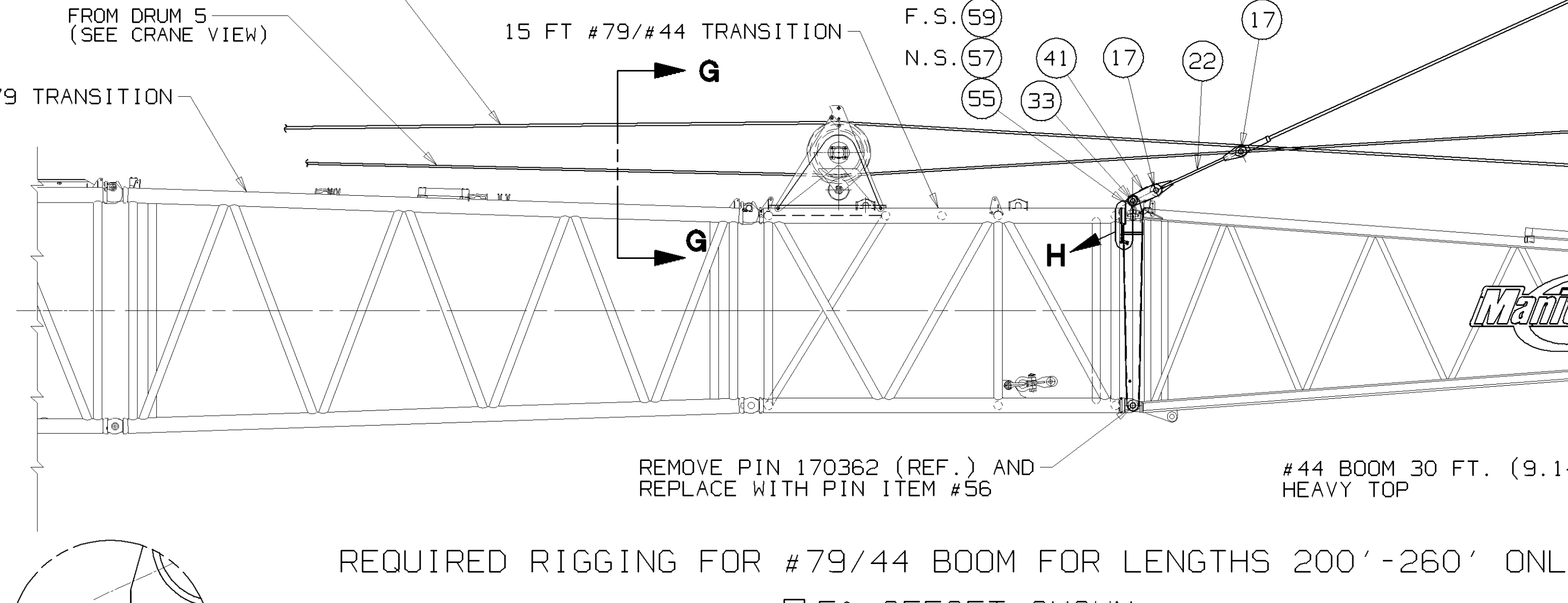
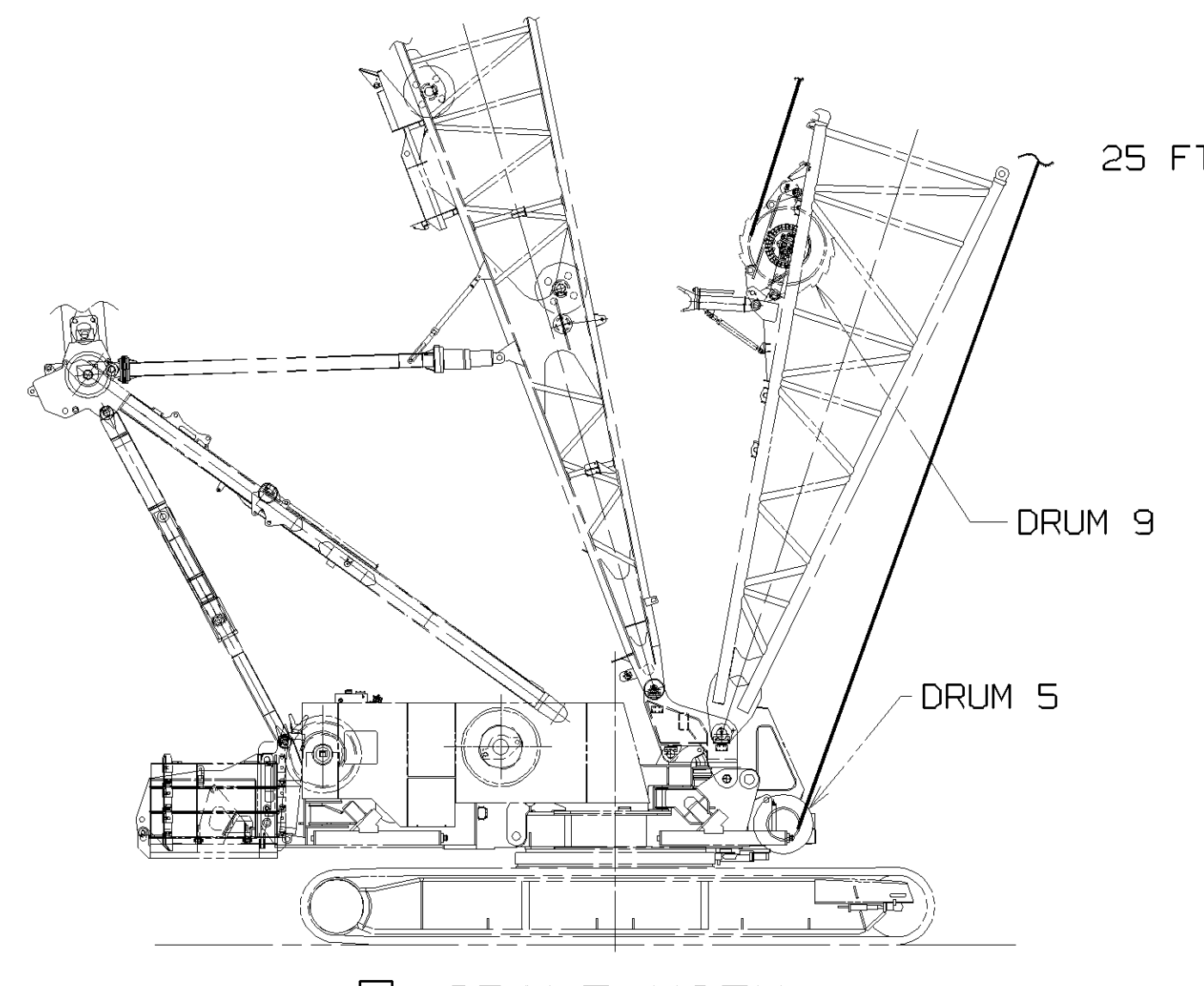
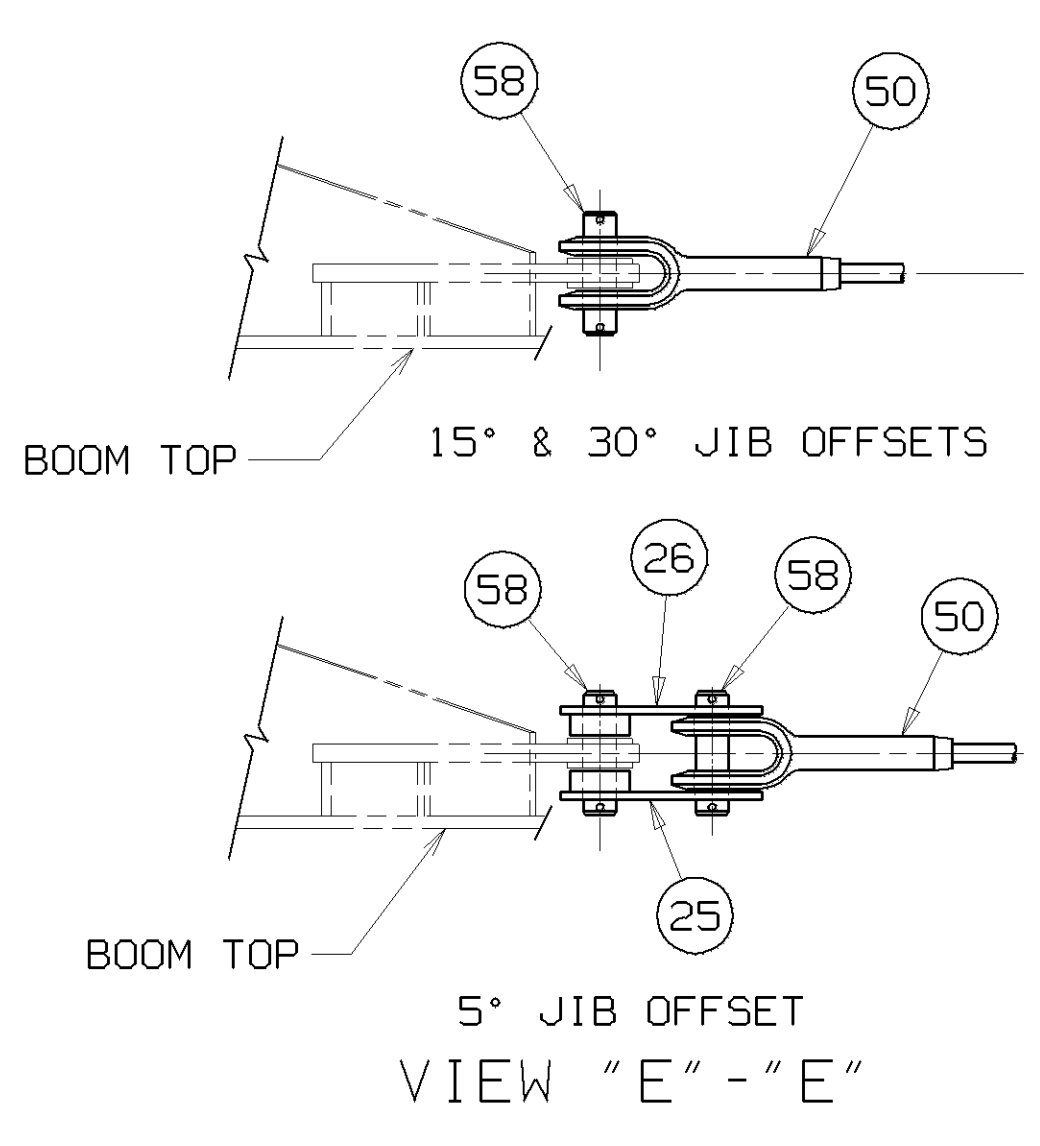
TABLE "A"				
REQ'D FOR VARIOUS JIB LENGTHS				
ITEM NUMBER	(66)	(67)	(65)	
	JIB LENGTH	20 FT INSERT (6.1m)	19 FT-2.00 PENDANT (5.8m)	WIRE ROPE TIMBER GUARD
FEET	METERS			
60	18.3	1	2	1
80	24.4	2	4	2
100	30.5	3	6	3
120	36.6	4	8	4

TABLE "B"							
REQ'D FOR VARIOUS JIB OFFSETS HEAVY LIFT TOP							
ITEM NUMBER	(2)	(51)	(25)	(26)	(22)	(58)	(17)
JIB OFFSET	(3)	7 FT-4.00 PENDANT (2.2m)	LINK	LINK	LINK	PIN	PIN
5°	0	2	2	2	2	4	4
15°	2	0	0	0	0	2	2
30°	2	0	0	0	2	2	4

TABLE "C"							
REQ'D FOR VARIOUS JIB OFFSETS LONG REACH TOP							
ITEM NUMBER	(2)	(51)	(25)	(26)	(61)	(17)	(22)
JIB OFFSET	(3)	7 FT-4.00 PENDANT (2.2m)	LINK	LINK	PIN	PIN	LINK
5°	0	2	2	2	2	2	0
15°	0	0	0	0	0	4	2
30°	2	0	0	0	0	2	0

171761 WILL STILL WORK IN PLACE OF ITEMS 57 & 59 ON THE #44 BOOM ONLY. 171761 WILL NOT FIT ON THE #79/44 BOOM.

BILL OF MATERIAL				ASSEMBLIES USED
ITEM NO.	REF.	DESCRIPTION	MATERIAL	QTY
2585-5000 BASIC #132 JIB ASSEMBLY (40 FT)				
1	2	BUSHING		18129
2	2	PIN		77812
3	2	PIN		75465
4	2	PIN		139102
5	1	SOCKET		162233
6	1	WEDGE		162234
7	4	PIN		166901
8	1	JIB STRUT (20 FT)-(6.1m)		169803
9	2	PIN KEEPER		169810
10	2	LINK		169824
11	4	LINK		169825
12	1	DEAD END BAIL		169832
13	1	PIN		169836
14	1	SPACER		169837
15	2	END PLATE		169838
16	1	PIN		169846
17	4	PIN		169849
18	2	SPACER		170677
19				
20	3	SHEAVE ASSEMBLY		171250
21	2	BUSHING		171698
22	2	LINK		171794
23	1	SPACER		171845
24	1	SHAFT		171846
25	2	LINK		171857
26	2	LINK		171858
27				
28				
29	1	ROPE GUARD		171863
30	1	PIN		171864
31				
32	2	PIN		171869
33	2	PIN		171870
34				
35	1	ROPE GUARD		172222
36	1	JIB TOP (20 FT)-(6.1m)		172680
37	1	JIB BUTT (20 FT)-(6.1m)		172866
38				
39				
40	2	COLLAR		192349
41	2	LINK		192350
42	1	SPREADER		192351
43	2	PIN		192354
44				
45				
46	4	LOCKNUT		225105
47	2	LOCKWASHER		225111
48	2	BACKSTAY BASIC PENDANT (65 FT 7) (19.98m)		276791
49	2	JIB BASIC PENDANT (40 FT)-(12.19m)		276935
50	2	PENDANT (7 FT. - 7.00)-(2.3m)		277317
51	2	PENDANT (7 FT. - 4.00)-(2.2m)		277362
52				
53	1	PIN		563960
2585-5010 BASIC (HEAVY LIFT TOP)				
54	2	SUPPORT CABLE ASSEMBLY		196596
55	2	PIN		75465
56	2	PIN		170844
57	1	LINK		196323
58	4	PIN		171867
59	1	LINK		196324
2585-5020 BASIC (LONG REACH TOP)				
60	1	STRUT		192488
61	2	PIN		171867
62	4	PIN		171868
63	2	PENDANT (6 FT-0) (1.8m)		276785
64				
2585-5030 INSERT - 20 FT (6.09m)				
65	1	TIMBER GUARD		171477
66	1	INSERT - 20 FT (6.09m)		172679
67	2	PENDANT (19 FT-2) (5.8m)		277360
68				
2585-5040 INSERT REQUIRED FOR #79/44 BOOM LENGTHS 200'-260'				
69	2	PENDANT (26 FT-8) (7.5m)		277509
70				
71				



- 1 LOCATE ADJACENT TO LINK (ITEM 41).
- 2 LOCATE BETWEEN BACKSTAY LINK (ITEM 22) OR BACKSTAY LINK (ITEM 41) & PENDANT (ITEM 48 OR ITEM #69).
- 3 JIB OFFSETS ARE NOMINAL.
- 4 ON DWG. 77535
- 5 ON DWG. 73026
- 6 CAN BE USED FOR DEAD END WITH 2 PART LINE. MUST BE REMOVED WHEN 2, 3, OR 4 PART LINE AND/OR UPPER DEAD END LUG IS
- 7 WHEN RIGGING FOR A #79/44 BOOM INSTALL SUPPORT CABLE ASSEMBLIES (ITEM 54) AND POSITION LINKS (ITEM 57 & 59) WITH NOTCH FACING CAB AND THE BOSS TO THE OUTSIDE OF THE BOOM. STOW PINS (ITEM 3) IN LOCATION SHOWN IN VIEW "J".
- 8 WHEN RIGGING FOR A #44 BOOM INSTALL PINS (ITEM 3) AND POSITION LINKS (ITEM 57 & 59) WITH NOTCH FACING AWAY FROM THE CAB (SEE VIEW "K") AND THE BOSS TO THE OUTSIDE OF THE BOOM. STOW SUPPORT CABLE ASSEMBLIES (ITEM 44) AS SHOWN IN VIEW "J".

THIS PRINT REMAINS THE PROPERTY OF MANITOWOC CRANES, INC. IF IT IS LOST, SUBJECT TO RETURN UPON DEMAND, AND ON EXPRESS CONDITION THAT IT IS NOT TO BE COPIED OR USED DIRECTLY OR INDIRECTLY IN ANY MANNER DETRIMENTAL TO OUR INTERESTS.

DECIMAL PLACES	FABRICATION	MACHINING
(1) PLACE 0.0	± 0.00	± 0.00
(2) PLACE 0.00	± 0.00	± 0.015
(3) PLACE 0.000	± 0.000	± 0.005
ANGLES	± 1.0'	± 0.2'

NO.	DATE	BY	DESCRIPTION
3	11-10-98	CRP	MANITOWOC CRANES, INC.
4	11-10-98	CRP	MANITOWOC CRANES, INC.
5	11-10-98	RJW	MANITOWOC CRANES, INC.

NO.	DATE	BY	DESCRIPTION
3	11-10-98	CRP	MANITOWOC CRANES, INC.
4	11-10-98	CRP	MANITOWOC CRANES, INC.
5	11-10-98	RJW	MANITOWOC CRANES, INC.

NO.	DATE	BY	DESCRIPTION
3	11-10-98	CRP	MANITOWOC CRANES, INC.
4	11-10-98	CRP	MANITOWOC CRANES, INC.
5	11-10-98	RJW	MANITOWOC CRANES, INC.

NO.	DATE	BY	DESCRIPTION
3	11-10-98	CRP	MANITOWOC CRANES, INC.
4	11-10-98	CRP	MANITOWOC CRANES, INC.
5	11-10-98	RJW	MANITOWOC CRANES, INC.

NO.	DATE	BY	DESCRIPTION
3	11-10-98	CRP	MANITOWOC CRANES, INC.
4	11-10-98	CRP	MANITOWOC CRANES, INC.
5	11-10-98	RJW	MANITOWOC CRANES, INC.

NO.	DATE	BY	DESCRIPTION
3	11-10-98	CRP	MANITOWOC CRANES, INC.
4	11-10-98	CRP	MANITOWOC CRANES, INC.
5	11-10-98	RJW	MANITOWOC CRANES, INC.

NO.	DATE	BY	DESCRIPTION
3	11-10-98	CRP	MANITOWOC CRANES, INC.
4	11-10-98	CRP	MANITOWOC CRANES, INC.
5	11-10-98	RJW	MANITOWOC CRANES, INC.

NO.	DATE	BY	DESCRIPTION
3	11-10-98	CRP	MANITOWOC CRANES, INC.
4	11-10-98	CRP	MANITOWOC CRANES, INC.
5	11-10-98	RJW	MANITOWOC CRANES, INC.

NO.	DATE	BY	DESCRIPTION
3	11-10-98	CRP	MANITOWOC CRANES, INC.
4	11-10-98	CRP	MANITOWOC CRANES, INC.
5	11-10-98	RJW	MANITOWOC CRANES, INC.

NO.	DATE	BY	DESCRIPTION
3	11-10-98	CRP	MANITOWOC CRANES, INC.
4	11-10-98	CRP	MANITOWOC CRANES, INC.
5	11-10-98	RJW	MANITOWOC CRANES, INC.

NO.	DATE	BY	DESCRIPTION
3	11-10-98	CRP	MANITOWOC CRANES, INC.
4	11-10-98	CRP	MANITOWOC CRANES, INC.
5	11-10-98	RJW	MANITOWOC CRANES, INC.

NO.	DATE	BY	DESCRIPTION
3	11-10-98	CRP	MANITOWOC CRANES, INC.
4	11-10-98	CRP	MANITOWOC CRANES, INC.
5	11-10-98	RJW	MANITOWOC CRANES, INC.

NO.	DATE	BY	DESCRIPTION
3	11-10-98	CRP	MANITOWOC CRANES, INC.
4	11-10-98	CRP	MANITOWOC CRANES, INC.
5	11-10-98	RJW	MANITOWOC CRANES, INC.

NO.	DATE	BY	DESCRIPTION
3	11-10-98	CRP	MANITOWOC CRANES, INC.
4	11-10-98	CRP	MANITOWOC CRANES, INC.
5	11-10-98	RJW	MANITOWOC CRANES, INC.

NO.	DATE	BY	DESCRIPTION
3	11-10-98	CRP	MANITOWOC CRANES, INC.
4	11-10-98	CRP	MANITOWOC CRANES, INC.
5	11-10-98	RJW	MANITOWOC CRANES, INC.

NO.	DATE	BY	DESCRIPTION
3	11-10-98	CRP	MANITOWOC CRANES, INC.
4	11-10-98	CRP	MANITOWOC CRANES, INC.
5	11-10-98	RJW	MANITOWOC CRANES, INC.

NO.	DATE	BY	DESCRIPTION
3	11-10-98	CRP	MANITOWOC CRANES, INC.
4	11-10-98	CRP	MANITOWOC CRANES, INC.
5	11-10-98	RJW	MANITOWOC CRANES, INC.

NO.	DATE	BY	DESCRIPTION
3	11-10-98	CRP	MANITOWOC CRANES, INC.
4	11-10-98	CRP	MANITOWOC CRANES, INC.
5	11-10-98	RJW	MANITOWOC CRANES, INC.

NO.	DATE	BY	DESCRIPTION
3	11-10-98	CRP	MANITOWOC CRANES, INC.
4	11-10-98	CRP	MANITOWOC CRANES, INC.
5	11-10-98	RJW	MANITOWOC CRANES, INC.

NO.	DATE	BY	DESCRIPTION
3	11-10-98	CRP	MANITOWOC CRANES, INC.
4			