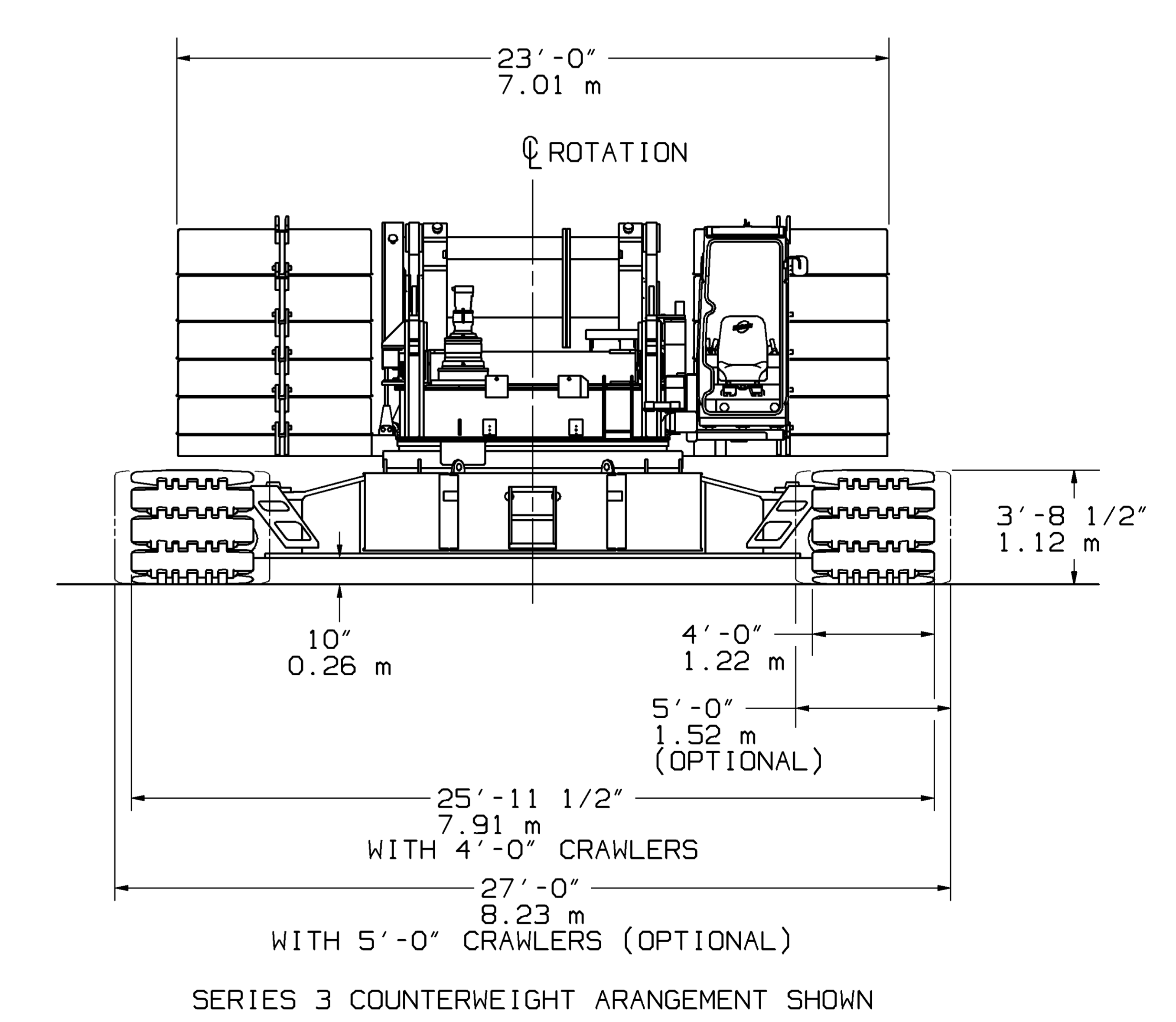
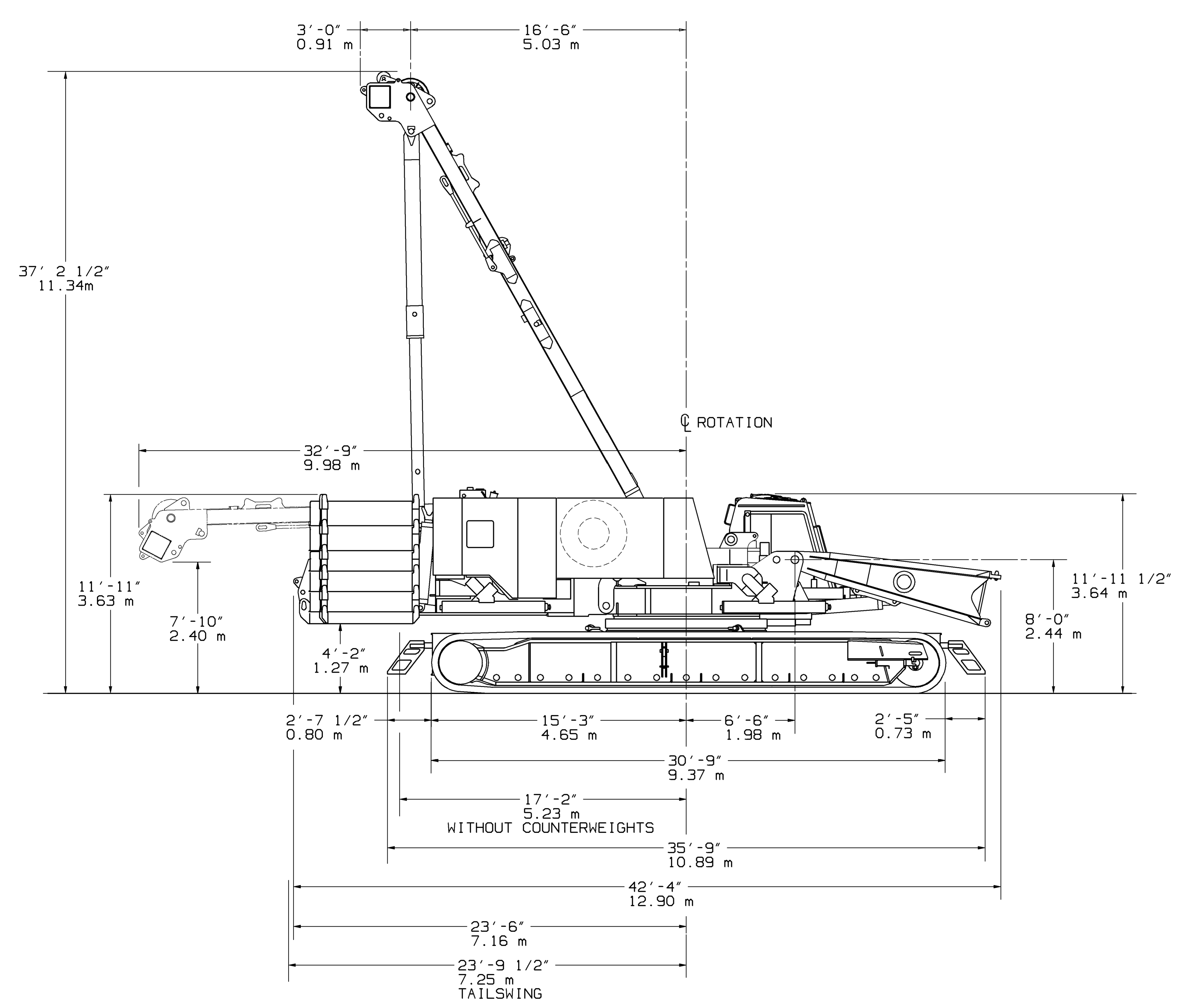


BILL OF MATERIAL			
QTY	DESC	MATERIAL	UNIT

REVISIONS
 Q2-18-98 NVS
 Δ TEXT SCALE INCREASED

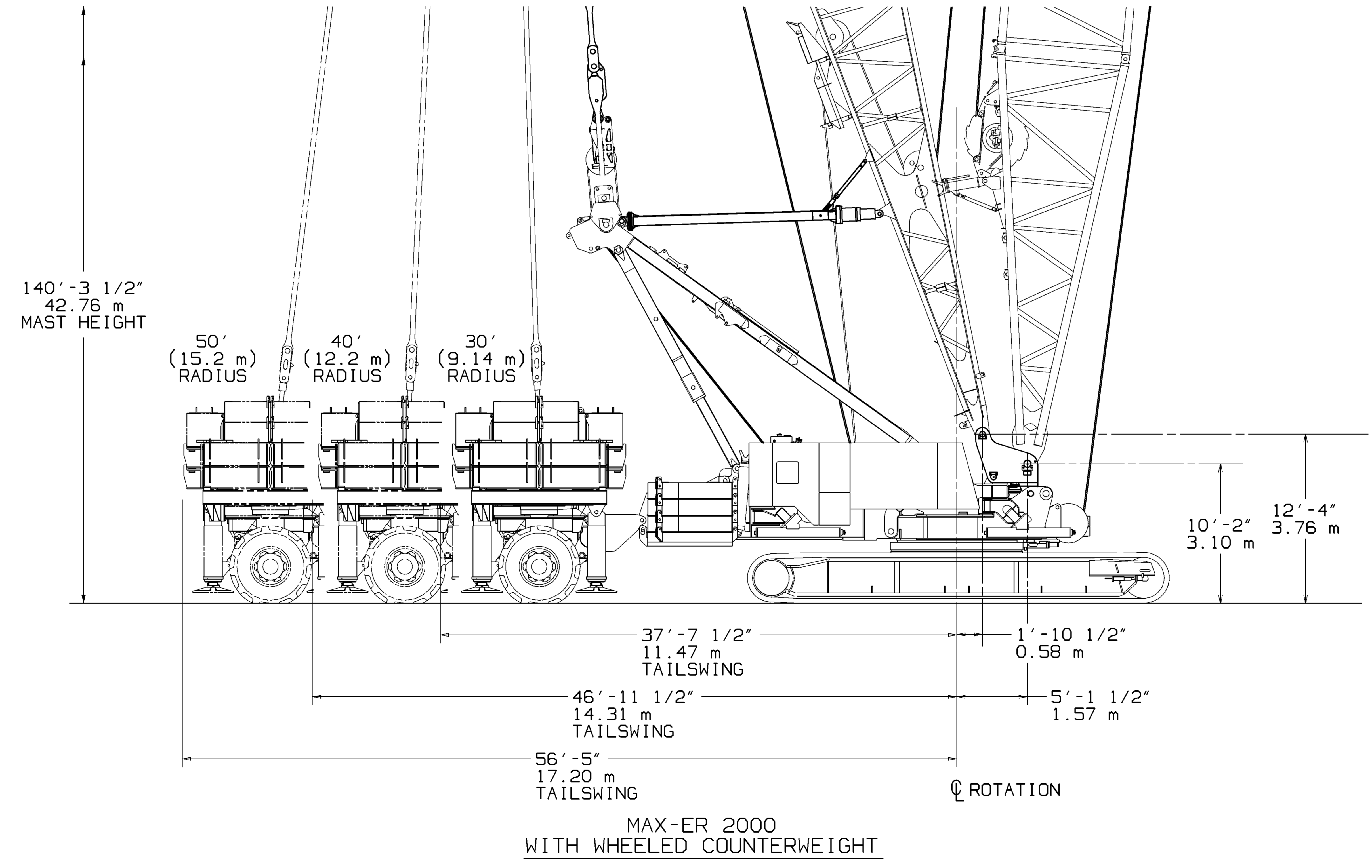
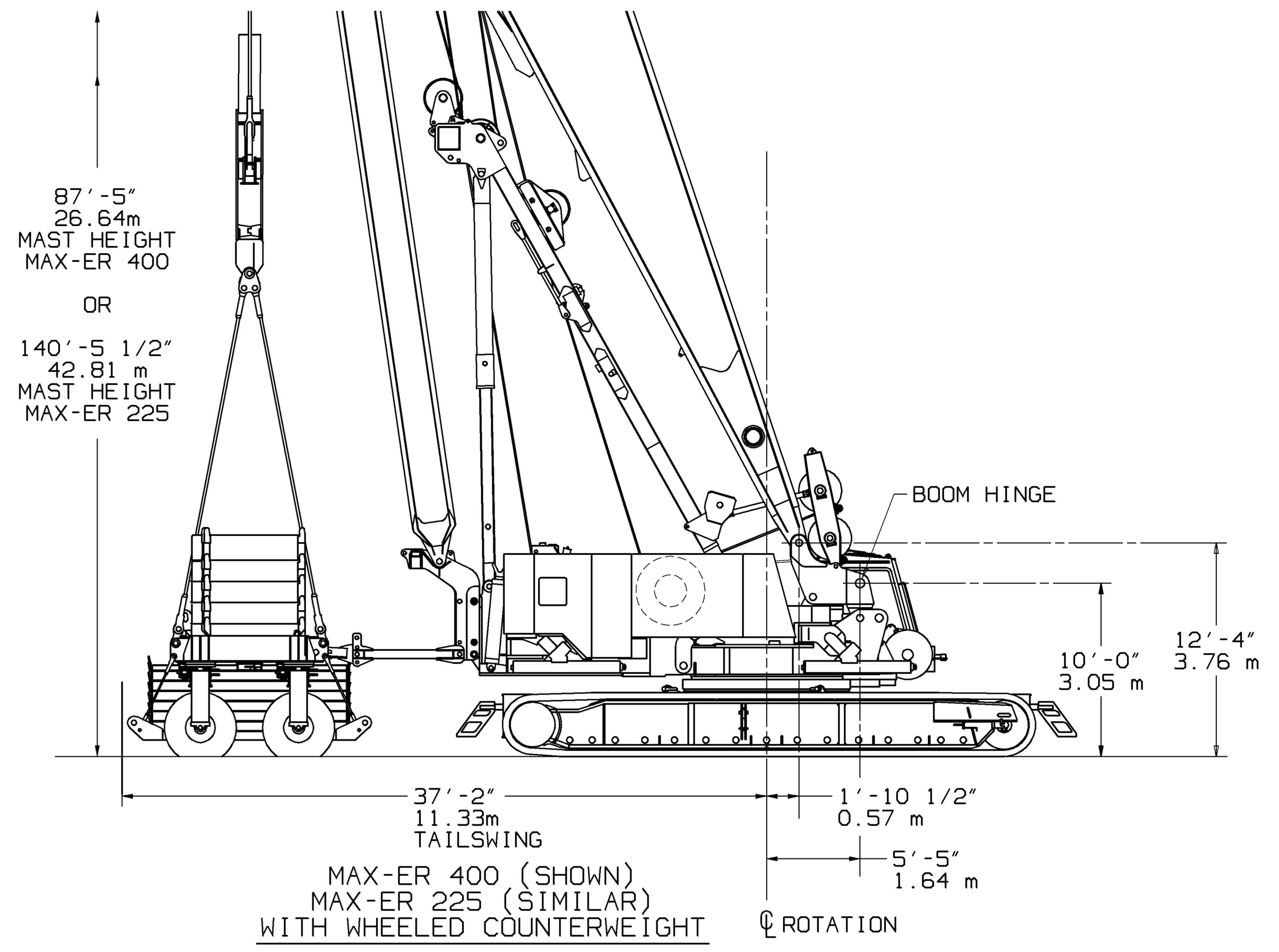
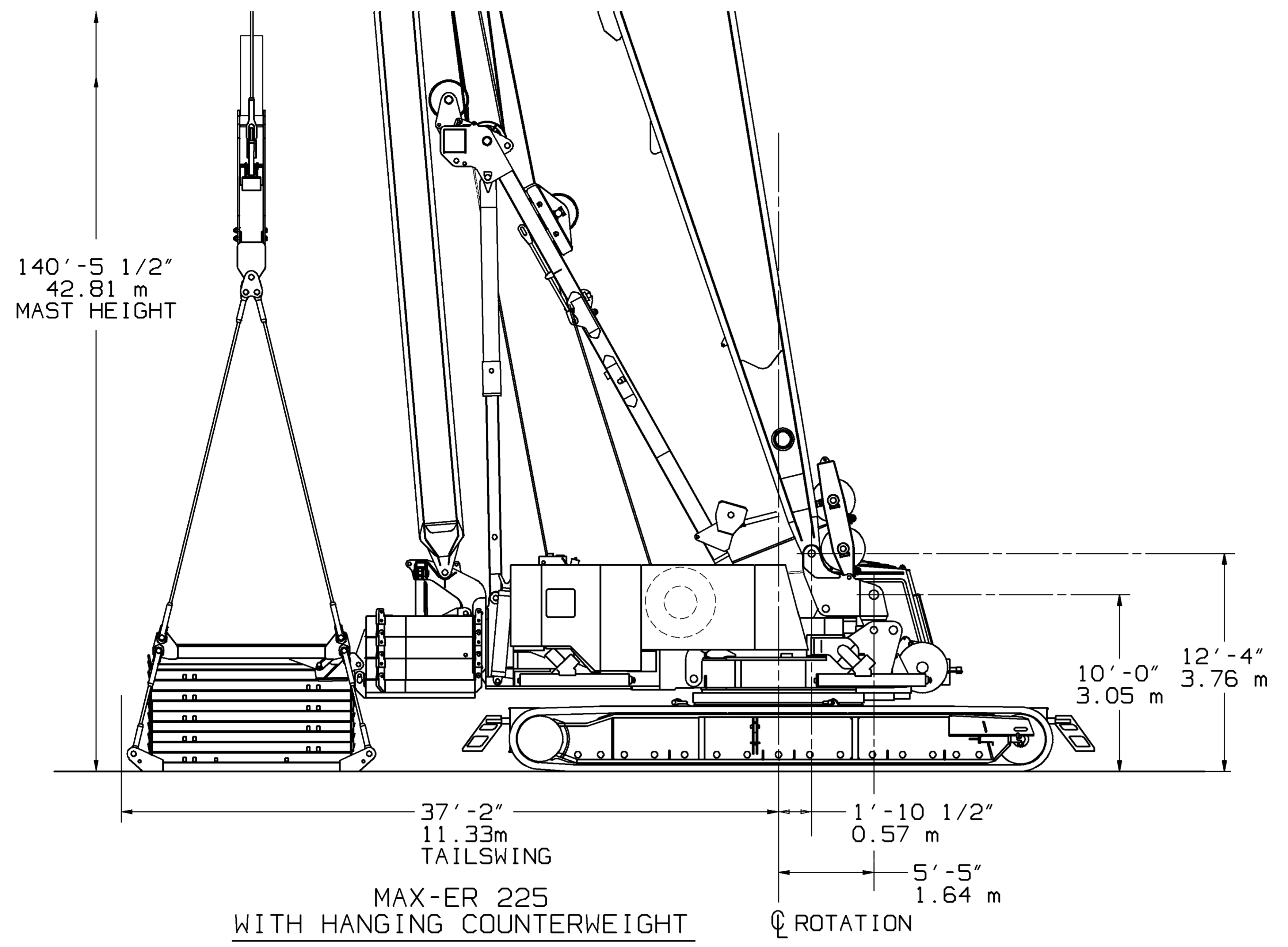


DWG. NO.
192027
SHT 1 OF 2

SCALE 3/8"=1'	Mantowoc Cranes, Inc. Mantowoc, Wisconsin	DATE 01-20-98
DR. NVS	CRANE OUTLINE	REVISION NO.
DC. MF	DIMENSIONS	
APP. GMP		DWG. NO. 192027

DO NOT SCALE THIS DRAWING

SHT 1 OF 2



SCALE 3/8"=1'-0"	Mantowoc Cranes, Inc.	
DR. NVS	Mantowoc, Wisconsin	CRANE OUTLINE
DC. MF	MOD. 2250 ATTACHMENTS	DIMENSIONS
APP. GMP		