

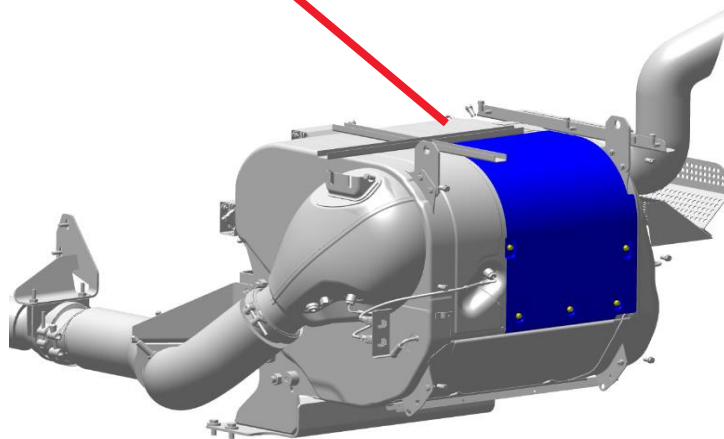
## COME CLEAN!

As part of your Reman program we offer a professional cleaning service for your Diesel Particulate Filter (DPF).

Before cleaning:



After cleaning:



■ **Part Number 04412192R**  
Diesel Particulate Filter (carrier)

■ **Part Number 04433796R**  
Diesel Particulate Filter (superstructure)

- The ordering process is the same as for any other R-Part. After the return of a viable core you will be credited 30% of the net invoice value of the part.
- Parts warranty is the same as for a new part (1 year).
- Each cleaned filter will receive a certificate after cleaning by our partner that lists the weight of the ash deposits removed and the serial number of the filter which is needed for recalibration.

PLEASE NOTE: Please contact your Grove Product Support for availability, pricing and core return process.