

Liftcrane Boom Capacities

Jib No. 148 on
 Boom No. B60:680
 with Mast No. M11:684
 300 000 kg VPC (Variable Position Counterweight)
 Crawler Machine on a Barge
 0 Degree thru 2 Degree Static Machine List
 No Travel - 360 Degree Rating

MLC650 VPC-MAX SERIES 2

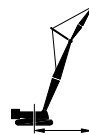


LIFTING CAPACITIES: Chart supplements Boom Capacity chart **No. 9627-AM**. Lifting capacities are for a crawler machine when operating on a barge. Machine shall be positively secured to prevent shifting. Lifting capacities for various boom lengths, jib lengths, and jib operating radii are for freely suspended loads and may be based on percent of static tipping or strength of structural components. Capacities must be reduced by applicable deducts.

Weight of all load blocks, hooks, weight ball, slings, hoist lines, etc., beneath boom and jib point sheaves is considered part of load. Boom and jib are not to be lowered beyond radii where combined weights are greater than rated capacity. Where no capacity is shown, operation is not intended or approved.

BOOM BACKWARD STABILITY: Capacities indicated by (b) require 3 720 kg minimum weight suspended beneath jib point and (c) require 7 030 kg minimum weight. **Caution: Do not operate in areas indicated by (b) or (c) without required minimum weight. Boom and jib may not lower and boom hoist wire rope may go slack causing wire rope damage or failure.**

OPERATING CONDITIONS: Machine to operate on a firm and uniformly supporting surface with machine list not to exceed degrees noted. Refer to Boom Rigging **No. 81022686**, Jib Rigging **No. 81023385**, Mast Rigging **No. 84050187**, Wire Rope Specifications chart **No. 9532-A**, Counterweight Arrangements chart **No. 9349-A**, and Wind Conditions chart **No. 9531-A**. Crane operator judgment must be used to allow for dynamic load effects of swinging, hoisting or lowering, wind conditions, as well as adverse operating conditions and physical machine depreciation. Refer to the Operator Manual for operating guidelines.



OPERATING RADIUS: Operating radius is horizontal distance from axis of rotation at barge deck to center of vertical hoist line or load block.



BOOM ANGLE: Boom angle in degrees ($^{\circ}$) is angle between horizontal and centerline of boom butt and inserts, and is an indication of operating radius. In all cases, operating radius shall govern capacity.



JIB POINT ELEVATION: Jib point elevation is vertical distance from barge deck to centerline of jib point shaft.

MACHINE EQUIPMENT: Machine equipped with VPC-MAX, 11 125 mm crawlers, 1 524 mm or 2 032 mm treads, 11 m live mast, 36 m mast, 16 part boom hoist reeving, boom support straps, and 300 000 kg VPC.

Warning: Luffing jib backstay straps must be removed before use of this chart. *Crane tipping or structural damage may occur.*

MLC650 VPC-MAX S-2



Refer to Tables 1 and 2 for raising ability with the maximum weight of all load blocks, hooks, weight ball, slings, and hoist lines beneath boom and jib point sheaves. For block weights shown with #, load blocks, hooks, weight ball, and slings must remain on barge deck until combined weights are within rated capacity of chart. Raising is not permitted in shaded areas of table.

Select counterweight position from Table 1 or 2 that will allow raising and lowering of boom and jib length. Counterweight position selection may be changed with jib on barge deck or while jib is within operating range of capacity chart.

Combined weight beneath boom and jib point sheaves must not exceed block weight shown. Total weight beneath jib point must not exceed 2 800 kg.

Table 1a

		Over End or Side of Crawlers											
		12,0 m Jib Length					18,0 m Jib Length						
		Counterweight Position											
		11,8 m			18,3 m		11,8 m			18,3 m			
		Machine List											
Boom Length (m)		0°	1°	2°	0°	1°	2°	0°	1°	2°	0°	1°	2°
		Block Weight (kg)											
44,0		21 000	21 000	21 000	21 000	21 000	21 000	21 000	21 000	21 000	21 000	21 000	21 000
50,0		21 000	21 000	21 000	21 000	21 000	21 000	21 000	21 000	21 000	21 000	21 000	21 000
56,0		21 000	21 000	21 000	21 000	21 000	21 000	21 000	21 000	21 000	21 000	21 000	21 000
62,0		21 000	21 000	21 000	21 000	21 000	21 000	21 000	21 000	21 000	21 000	21 000	21 000
68,0		21 000	21 000	21 000	21 000	21 000	21 000	21 000	21 000	21 000	21 000	21 000	21 000
74,0		21 000	21 000	21 000	21 000	21 000	21 000	21 000	21 000	21 000	21 000	21 000	21 000
80,0		21 000	21 000	21 000	21 000	21 000	21 000	21 000	21 000	21 000	21 000	21 000	21 000
86,0		21 000	10 200	10 200	21 000	21 000	21 000	10 200	10 200	10 200	21 000	21 000	21 000
92,0		10 200	10 200	10 200	21 000	21 000	21 000	10 200	10 200	10 200	21 000	21 000	21 000
98,0		7 300	#	#	21 000	21 000	21 000	#	#	#	21 000	21 000	21 000
104,0		#	#	#	21 000	21 000	21 000	#	#	#	21 000	21 000	21 000
110,0					10 200	10 200	10 200				10 200	10 200	10 200
116,0					10 200	10 200	10 200				10 200	7 300	7 300
122,0					#	#	#				#	#	#
128,0					#	#	#				#	#	#
134,0													

MLC650 VPC-MAX S-2



Table 1b

Over End or Side of Crawlers												
Boom Length (m)	24,0 m Jib Length						30,0 m Jib Length					
	Counterweight Position											
	11,8 m			18,3 m			11,8 m			18,3 m		
	Machine List											
	0°	1°	2°	0°	1°	2°	0°	1°	2°	0°	1°	2°
	Block Weight (kg)											
44,0	21 000	21 000	21 000	21 000	21 000	21 000	21 000	21 000	21 000	21 000	21 000	21 000
50,0	21 000	21 000	21 000	21 000	21 000	21 000	21 000	21 000	21 000	21 000	21 000	21 000
56,0	21 000	21 000	21 000	21 000	21 000	21 000	21 000	21 000	21 000	21 000	21 000	21 000
62,0	21 000	21 000	21 000	21 000	21 000	21 000	21 000	21 000	21 000	21 000	21 000	21 000
68,0	21 000	10 200	10 200	21 000	21 000	21 000	21 000	21 000	21 000	21 000	21 000	21 000
74,0	21 000	21 000	21 000	21 000	21 000	21 000	21 000	21 000	21 000	21 000	21 000	21 000
80,0	21 000	21 000	21 000	21 000	21 000	21 000	21 000	21 000	21 000	21 000	21 000	21 000
86,0	10 200	10 200	10 200	21 000	21 000	21 000	10 200	10 200	10 200	21 000	21 000	21 000
92,0	10 200	10 200	10 200	21 000	21 000	21 000	10 200	10 200	10 200	21 000	21 000	21 000
98,0	#	#	#	21 000	21 000	21 000	#	#	#	21 000	21 000	21 000
104,0	#	#		21 000	10 200	10 200	#			10 200	10 200	10 200
110,0				10 200	10 200	10 200				10 200	10 200	10 200
116,0				7 300	7 300	7 300				7 300	7 300	7 300
122,0				#	#	#				#	#	#
128,0				#	#							
134,0												

REFERENCED

MLC650 VPC-MAX S-2



Table 1c

		Over End or Side of Crawlers											
		36,0 m Jib Length					42,0 m Jib Length						
		Counterweight Position											
		11,8 m			18,3 m		11,8 m			18,3 m			
		Machine List											
Boom Length (m)		0°	1°	2°	0°	1°	2°	0°	1°	2°	0°	1°	2°
		Block Weight (kg)											
44,0		21 000	21 000	21 000	21 000	21 000	21 000	21 000	21 000	21 000	21 000	21 000	21 000
50,0		21 000	21 000	21 000	21 000	21 000	21 000	21 000	21 000	21 000	21 000	21 000	21 000
56,0		21 000	21 000	21 000	21 000	21 000	21 000	21 000	21 000	21 000	21 000	21 000	21 000
62,0		21 000	21 000	21 000	21 000	21 000	21 000	21 000	21 000	21 000	21 000	21 000	21 000
68,0		21 000	21 000	21 000	21 000	21 000	21 000	21 000	21 000	21 000	21 000	21 000	21 000
74,0		21 000	21 000	21 000	21 000	21 000	21 000	21 000	21 000	21 000	21 000	21 000	21 000
80,0		21 000	21 000	21 000	21 000	21 000	21 000	21 000	21 000	21 000	21 000	21 000	21 000
86,0		10 200	10 200	10 200	21 000	21 000	21 000	10 200	10 200	10 200	21 000	21 000	21 000
92,0		10 200	7 300	7 300	21 000	21 000	21 000	7 300	7 300	7 300	21 000	21 000	21 000
98,0		#	#	#	21 000	21 000	21 000	#	#	#	21 000	21 000	21 000
104,0					10 200	10 200	10 200				10 200	10 200	10 200
110,0					10 200	10 200	10 200				10 200	10 200	10 200
116,0					7 300	7 300	7 300				#	#	#
122,0					#	#	#				#		
128,0													
134,0													

REFERE

MLC650 VPC-MAX S-2



Table 2a

		Over End of Blocked Crawlers											
		12,0 m Jib Length					18,0 m Jib Length						
		Counterweight Position											
		11,8 m			18,3 m		11,8 m			18,3 m			
		Machine List											
Boom Length (m)		0°	1°	2°	0°	1°	2°	0°	1°	2°	0°	1°	2°
		Block Weight (lb)											
44,0		21 000	21 000	21 000	21 000	21 000	21 000	21 000	21 000	21 000	21 000	21 000	21 000
50,0		21 000	21 000	21 000	21 000	21 000	21 000	21 000	21 000	21 000	21 000	21 000	21 000
56,0		21 000	21 000	21 000	21 000	21 000	21 000	21 000	21 000	21 000	21 000	21 000	21 000
62,0		21 000	21 000	21 000	21 000	21 000	21 000	21 000	21 000	21 000	21 000	21 000	21 000
68,0		21 000	21 000	21 000	21 000	21 000	21 000	21 000	21 000	21 000	21 000	21 000	21 000
74,0		21 000	21 000	21 000	21 000	21 000	21 000	21 000	21 000	21 000	21 000	21 000	21 000
80,0		21 000	21 000	21 000	21 000	21 000	21 000	21 000	21 000	21 000	21 000	21 000	21 000
86,0		21 000	21 000	21 000	21 000	21 000	21 000	10 200	10 200	10 200	21 000	21 000	21 000
92,0		10 200	10 200	10 200	21 000	21 000	21 000	10 200	10 200	10 200	21 000	21 000	21 000
98,0		7 300	7 300	7 300	21 000	21 000	21 000	#	#	#	21 000	21 000	21 000
104,0		#	#	#	21 000	21 000	21 000	#	#	#	21 000	21 000	21 000
110,0		#	#	#	10 200	10 200	10 200	#	#	#	10 200	10 200	10 200
116,0					10 200	10 200	10 200				10 200	10 200	10 200
122,0					#	#	#				#	#	#
128,0					#	#	#				#	#	#
134,0					#	#	#				#	#	#

Warning: Crane must remain in-line with crawlers when raising over end of blocked crawlers until operating radius is within 360 degree chart. *Crane tipping or structural damage can occur.*

REFER TO

MLC650 VPC-MAX S-2



Table 2b

Over End of Blocked Crawlers												
Boom Length (m)	24,0 m Jib Length						30,0 m Jib Length					
	Counterweight Position											
	11,8 m			18,3 m			11,8 m			18,3 m		
	Machine List											
	0°	1°	2°	0°	1°	2°	0°	1°	2°	0°	1°	2°
	Block Weight (kg)											
44,0	21 000	21 000	21 000	21 000	21 000	21 000	21 000	21 000	21 000	21 000	21 000	21 000
50,0	21 000	21 000	21 000	21 000	21 000	21 000	21 000	21 000	21 000	21 000	21 000	21 000
56,0	21 000	21 000	21 000	21 000	21 000	21 000	21 000	21 000	21 000	21 000	21 000	21 000
62,0	21 000	21 000	21 000	21 000	21 000	21 000	21 000	21 000	21 000	21 000	21 000	21 000
68,0	21 000	21 000	21 000	21 000	21 000	21 000	21 000	21 000	21 000	21 000	21 000	21 000
74,0	21 000	21 000	21 000	21 000	21 000	21 000	21 000	21 000	21 000	21 000	21 000	21 000
80,0	21 000	21 000	21 000	21 000	21 000	21 000	21 000	21 000	21 000	21 000	21 000	21 000
86,0	10 200	10 200	10 200	21 000	21 000	21 000	10 200	10 200	10 200	21 000	21 000	21 000
92,0	10 200	10 200	10 200	21 000	21 000	21 000	10 200	10 200	10 200	21 000	21 000	21 000
98,0	#	#	#	21 000	21 000	21 000	#	#	#	21 000	21 000	21 000
104,0	#	#	#	21 000	21 000	21 000	#	#	#	10 200	10 200	10 200
110,0				10 200	10 200	10 200				10 200	10 200	10 200
116,0				7 300	7 300	7 300				7 300	7 300	7 300
122,0				#	#	#				#	#	#
128,0				#	#	#				#	#	#
134,0												

Warning: Crane must remain in-line with crawlers when raising over end of blocked crawlers until operating radius is within 360 degree chart. *Crane tipping or structural damage can occur.*

MLC650 VPC-MAX S-2

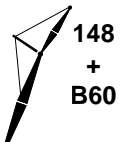
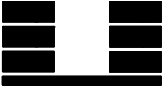


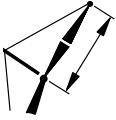
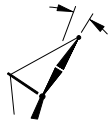


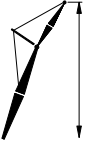
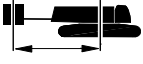
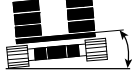



Table 2c

Over End of Blocked Crawlers												
Boom Length (m)	36,0 m Jib Length						42,0 m Jib Length					
	Counterweight Position											
	11,8 m			18,3 m			11,8 m			18,3 m		
	Machine List											
	0°	1°	2°	0°	1°	2°	0°	1°	2°	0°	1°	2°
	Block Weight (kg)											
44,0	21 000	21 000	21 000	21 000	21 000	21 000	21 000	21 000	21 000	21 000	21 000	21 000
50,0	21 000	21 000	21 000	21 000	21 000	21 000	21 000	21 000	21 000	21 000	21 000	21 000
56,0	21 000	21 000	21 000	21 000	21 000	21 000	21 000	21 000	21 000	21 000	21 000	21 000
62,0	21 000	21 000	21 000	21 000	21 000	21 000	21 000	21 000	21 000	21 000	21 000	21 000
68,0	21 000	21 000	21 000	21 000	21 000	21 000	21 000	21 000	21 000	21 000	21 000	21 000
74,0	21 000	21 000	21 000	21 000	21 000	21 000	21 000	21 000	21 000	21 000	21 000	21 000
80,0	21 000	21 000	21 000	21 000	21 000	21 000	21 000	21 000	21 000	21 000	21 000	21 000
86,0	10 200	10 200	10 200	21 000	21 000	21 000	10 200	10 200	10 200	21 000	21 000	21 000
92,0	10 200	10 200	10 200	21 000	21 000	21 000	7 300	7 300	7 300	21 000	21 000	21 000
98,0	#	#	#	21 000	21 000	21 000	#	#	#	21 000	21 000	21 000
104,0	#	#	#	10 200	10 200	10 200	#	#	#	10 200	10 200	10 200
110,0				10 200	10 200	10 200				10 200	10 200	10 200
116,0				7 300	7 300	7 300				#	#	#
122,0				#	#	#				#		
128,0				#						#		
134,0												

Warning: Crane must remain in-line with crawlers when raising over end of blocked crawlers until operating radius is within 360 degree chart. *Crane tipping or structural damage can occur.*

Explanation of Symbols

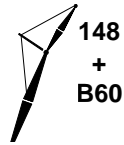
	Jib No. 148 + Boom No. B60:680
	VPC (Variable Position Counterweight)
	360 Degree Rating
	Boom Length
	Jib Length
	Jib Offset Angle
	Operating Radius (see page 1)
	Boom Angle (see page 1)
	Jib Point Elevation (see page 1)
	Counterweight Position from Axis of Rotation
	Machine List
	Lifting Capacities (see page 1)

REFERENCE ONLY!

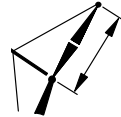
This page intentionally left blank.

REFERENCE ONLY!

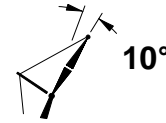
MLC650 VPC-MAX S-2



44,0 m



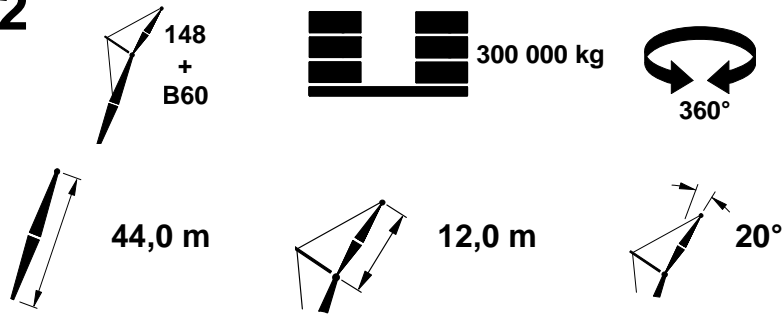
12,0 m



10°

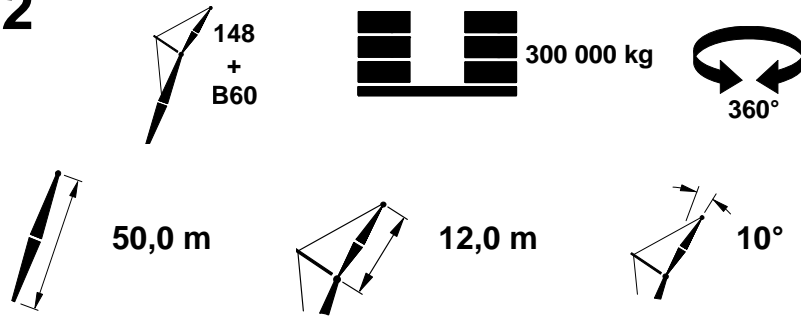
m	°	m	11,8 m			18,3 m			m
			0°	1°	2°	0°	1°	2°	
			kg	kg	kg	kg	kg	kg	
11,6	82,8	58,4	65 000c			65 000c			11,6
12,0	82,3	58,4	65 000c			65 000c			12,0
14,0	80,2	57,9	65 000b	62 200b	56 900c	65 000b	62 200b	56 900c	14,0
16,0	78,1	57,5	65 000b	61 700b	56 500b	65 000b	61 700b	56 500b	16,0
18,0	76,0	56,9	65 000	61 300	56 200	65 000	61 300	56 200	18,0
20,0	73,9	56,2	65 000	60 900	55 900	65 000	60 900	55 900	20,0
22,0	71,7	55,5	64 800	60 200	55 200	64 800	60 200	55 200	22,0
24,0	69,5	54,7	62 200	58 700	54 100	62 200	58 700	54 100	24,0
26,0	67,3	53,7	58 400	57 200	52 900	58 400	57 200	52 900	26,0
28,0	65,0	52,7	55 100	54 700	51 900	55 100	54 700	51 900	28,0
30,0	62,6	51,6	52 100	51 800	50 800	52 100	51 800	50 800	30,0
32,0	60,2	50,4	49 500	49 100	48 800	49 500	49 100	48 800	32,0
34,0	57,8	49,0	47 100	46 800	46 500	47 100	46 800	46 500	34,0
36,0	55,3	47,5	45 000	44 700	44 400	45 000	44 700	44 400	36,0
38,0	52,6	45,9	43 000	42 800	42 500	43 000	42 800	42 500	38,0
40,0	49,9	44,1	41 300	41 000	40 800	41 300	41 000	40 800	40,0
42,0	47,0	42,2	39 700	39 500	39 300	39 700	39 500	39 300	42,0
44,0	44,0	40,0	38 200	38 000	37 800	38 200	38 000	37 800	44,0
46,0	40,8	37,5	36 900	36 700	36 500	36 900	36 700	36 500	46,0
48,0	37,3	34,8	35 700	35 500	35 400	35 700	35 500	35 400	48,0
50,0	33,5	31,6	34 600	34 500	34 300	34 600	34 500	34 300	50,0
52,0	29,2	27,9	33 700	33 500	33 400	33 700	33 500	33 400	52,0
54,0	24,1	23,3	32 900	32 700	32 600	32 900	32 700	32 600	54,0

MLC650 VPC-MAX S-2



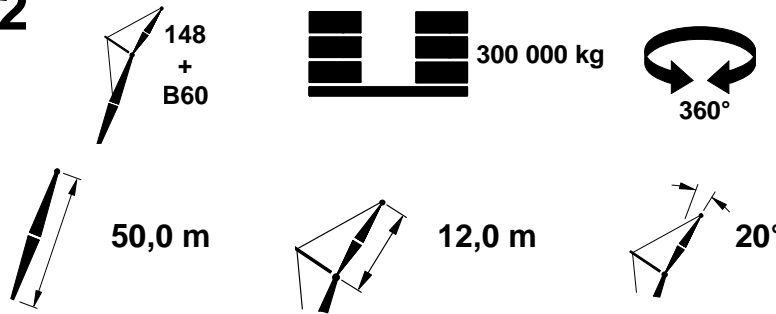
			11,8 m			18,3 m			
			0° kg	1° kg	2° kg	0° kg	1° kg	2° kg	
11,6									11,6
12,0									12,0
14,0	82,1	57,5	64 700c			64 700c			14,0
16,0	80,0	57,0	62 000b	59 200b	54 500c	62 000b	59 200b	54 500c	16,0
18,0	77,8	56,4	58 200	57 700	53 400	58 200	57 700	53 400	18,0
20,0	75,7	55,8	54 900	54 700	52 300	54 900	54 700	52 300	20,0
22,0	73,5	55,0	52 000	51 800	50 900	52 000	51 800	50 900	22,0
24,0	71,3	54,2	49 300	49 200	48 600	49 300	49 200	48 600	24,0
26,0	69,0	53,3	47 000	46 800	46 400	47 000	46 800	46 400	26,0
28,0	66,7	52,2	44 900	44 800	44 400	44 900	44 800	44 400	28,0
30,0	64,3	51,1	43 000	42 900	42 600	43 000	42 900	42 600	30,0
32,0	61,9	49,9	41 300	41 200	41 000	41 300	41 200	41 000	32,0
34,0	59,4	48,5	39 700	39 600	39 500	39 700	39 600	39 500	34,0
36,0	56,8	47,0	38 300	38 200	38 100	38 300	38 200	38 100	36,0
38,0	54,2	45,3	37 000	36 900	36 900	37 000	36 900	36 900	38,0
40,0	51,4	43,5	35 900	35 800	35 700	35 900	35 800	35 700	40,0
42,0	48,5	41,5	34 800	34 700	34 700	34 800	34 700	34 700	42,0
44,0	45,4	39,3	33 900	33 800	33 700	33 900	33 800	33 700	44,0
46,0	42,1	36,8	33 000	32 900	32 800	33 000	32 900	32 800	46,0
48,0	38,6	34,0	32 200	32 100	32 100	32 200	32 100	32 100	48,0
50,0	34,7	30,7	31 500	31 500	31 400	31 500	31 500	31 400	50,0
52,0	30,2	26,9	31 000	30 900	30 900	31 000	30 900	30 900	52,0
54,0									54,0

MLC650 VPC-MAX S-2



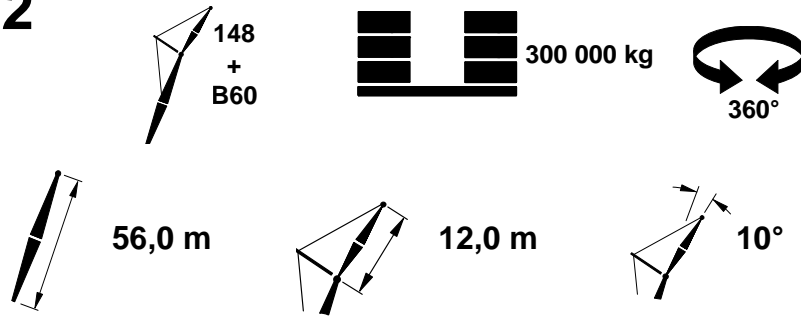
m	°	m	11,8 m			18,3 m			m
			0°	1°	2°	0°	1°	2°	
			kg	kg	kg	kg	kg	kg	
12,2	82,9	64,4	65 000b			65 000b			12,2
14,0	81,2	64,1	65 000	62 300		65 000	62 300		14,0
16,0	79,3	63,6	65 000	61 800	56 500b	65 000	61 800	56 500b	16,0
18,0	77,4	63,1	65 000	61 400	56 200	65 000	61 400	56 200	18,0
20,0	75,5	62,5	65 000	61 000	55 900	65 000	61 000	55 900	20,0
22,0	73,5	61,8	65 000	60 700	55 700	65 000	60 700	55 700	22,0
24,0	71,6	61,1	65 000	60 000	55 000	65 000	60 000	55 000	24,0
26,0	69,6	60,3	62 400	58 600	54 000	62 400	58 600	54 000	26,0
28,0	67,6	59,4	58 900	57 300	53 000	58 900	57 300	53 000	28,0
30,0	65,5	58,4	55 900	55 300	52 000	55 900	55 300	52 000	30,0
32,0	63,4	57,3	53 100	52 700	51 000	53 100	52 700	51 000	32,0
34,0	61,3	56,2	50 600	50 200	49 800	50 600	50 200	49 800	34,0
36,0	59,1	54,9	48 300	48 000	47 700	48 300	48 000	47 700	36,0
38,0	56,9	53,5	46 300	46 000	45 700	46 300	46 000	45 700	38,0
40,0	54,6	52,0	44 500	44 200	43 900	44 500	44 200	43 900	40,0
42,0	52,2	50,3	42 700	42 500	42 200	42 700	42 500	42 200	42,0
44,0	49,7	48,6	41 200	40 900	40 700	41 200	40 900	40 700	44,0
46,0	47,1	46,6	39 700	39 500	39 300	39 700	39 500	39 300	46,0
48,0	44,4	44,5	38 400	38 200	38 000	38 400	38 200	38 000	48,0
50,0	41,6	42,1	37 200	37 000	36 800	37 200	37 000	36 800	50,0
52,0	38,5	39,5	36 100	35 900	35 800	36 100	35 900	35 800	52,0
54,0	35,2	36,5	35 100	34 900	34 800	35 100	34 900	34 800	54,0
56,0	31,6	33,1	34 200	34 000	33 900	34 200	34 000	33 900	56,0
58,0	27,5	29,2	33 400	33 200	33 100	33 400	33 200	33 100	58,0
60,0	22,7	24,3	32 700	32 500	32 400	32 700	32 500	32 400	60,0

MLC650 VPC-MAX S-2



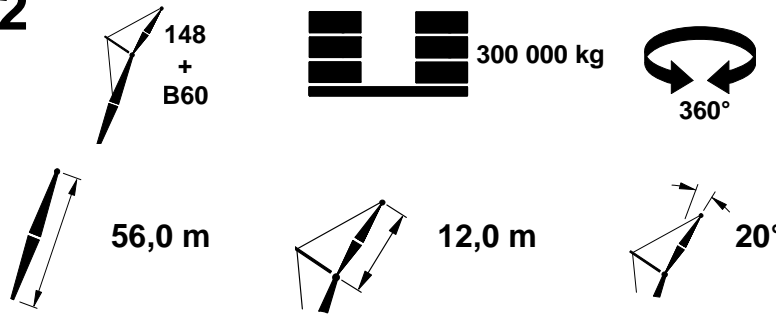
m	°	m	11,8 m			18,3 m			m
			0°	1°	2°	0°	1°	2°	
			kg	kg	kg	kg	kg	kg	
12,2									12,2
14,0									14,0
16,0	81,0	63,1	63 700b	59 600b		63 700b	59 600b		16,0
18,0	79,0	62,6	60 200	58 400	53 900	60 200	58 400	53 900	18,0
20,0	77,1	62,0	57 000	56 800	52 900	57 000	56 800	52 900	20,0
22,0	75,2	61,4	54 100	54 000	51 900	54 100	54 000	51 900	22,0
24,0	73,2	60,6	51 600	51 400	50 600	51 600	51 400	50 600	24,0
26,0	71,2	59,8	49 200	49 100	48 500	49 200	49 100	48 500	26,0
28,0	69,1	58,9	47 100	47 000	46 500	47 100	47 000	46 500	28,0
30,0	67,1	57,9	45 200	45 100	44 700	45 200	45 100	44 700	30,0
32,0	64,9	56,8	43 500	43 400	43 100	43 500	43 400	43 100	32,0
34,0	62,8	55,6	41 900	41 800	41 600	41 900	41 800	41 600	34,0
36,0	60,6	54,3	40 500	40 300	40 200	40 500	40 300	40 200	36,0
38,0	58,3	52,9	39 100	39 000	38 900	39 100	39 000	38 900	38,0
40,0	56,0	51,4	37 900	37 800	37 700	37 900	37 800	37 700	40,0
42,0	53,6	49,7	36 800	36 700	36 600	36 800	36 700	36 600	42,0
44,0	51,1	47,9	35 700	35 700	35 600	35 700	35 700	35 600	44,0
46,0	48,4	45,9	34 800	34 700	34 600	34 800	34 700	34 600	46,0
48,0	45,7	43,8	33 900	33 800	33 800	33 900	33 800	33 800	48,0
50,0	42,8	41,4	33 200	33 100	33 000	33 200	33 100	33 000	50,0
52,0	39,7	38,7	32 400	32 400	32 300	32 400	32 400	32 300	52,0
54,0	36,3	35,7	31 800	31 700	31 700	31 800	31 700	31 700	54,0
56,0	32,6	32,2	31 300	31 200	31 100	31 300	31 200	31 100	56,0
58,0									58,0
60,0									60,0

MLC650 VPC-MAX S-2



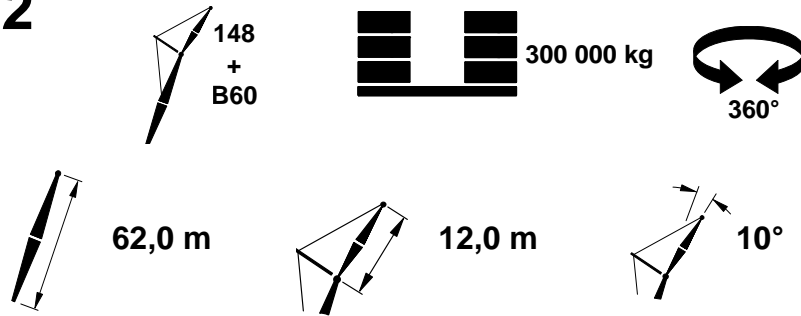
m	°	m	11,8 m			18,3 m			m
			0° kg	1° kg	2° kg	0° kg	1° kg	2° kg	
13,7	82,2	70,2	65 000			65 000			13,7
14,0	82,0	70,2	65 000			65 000			14,0
16,0	80,3	69,8	65 000	61 900	56 500	65 000	61 900	56 500	16,0
18,0	78,5	69,3	65 000	61 500	56 200	65 000	61 500	56 200	18,0
20,0	76,8	68,8	65 000	61 100	55 900	65 000	61 100	55 900	20,0
22,0	75,1	68,2	65 000	60 800	55 700	65 000	60 800	55 700	22,0
24,0	73,3	67,5	65 000	60 600	55 500	65 000	60 600	55 500	24,0
26,0	71,5	66,8	64 900	59 900	54 800	64 900	59 900	54 800	26,0
28,0	69,7	66,0	62 500	58 600	53 900	62 500	58 600	53 900	28,0
30,0	67,8	65,1	59 300	57 400	53 000	59 300	57 400	53 000	30,0
32,0	66,0	64,1	56 500	56 000	52 100	56 500	56 000	52 100	32,0
34,0	64,1	63,1	53 900	53 500	51 200	53 900	53 500	51 200	34,0
36,0	62,2	62,0	51 600	51 200	50 400	51 600	51 200	50 400	36,0
38,0	60,2	60,7	49 400	49 100	48 800	49 400	49 100	48 800	38,0
40,0	58,2	59,4	47 500	47 200	46 900	47 500	47 200	46 900	40,0
42,0	56,1	58,0	45 700	45 400	45 100	45 700	45 400	45 100	42,0
44,0	54,0	56,5	44 000	43 800	43 500	44 000	43 800	43 500	44,0
46,0	51,8	54,8	42 500	42 300	42 000	42 500	42 300	42 000	46,0
48,0	49,6	53,0	41 100	40 900	40 600	41 100	40 900	40 600	48,0
50,0	47,2	51,1	39 800	39 600	39 400	39 800	39 600	39 400	50,0
52,0	44,8	49,0	38 600	38 400	38 200	38 600	38 400	38 200	52,0
54,0	42,2	46,7	37 500	37 300	37 100	37 500	37 300	37 100	54,0
56,0	39,5	44,1	36 500	36 300	36 100	36 500	36 300	36 100	56,0
58,0	36,6	41,3	35 500	35 300	35 200	35 500	35 300	35 200	58,0
60,0	33,5	38,2	34 600	34 500	34 300	34 600	34 500	34 300	60,0
62,0	30,1	34,6	33 800	33 700	33 600	33 800	33 700	33 600	62,0
64,0	26,2	30,5	33 100	33 000	32 900	33 100	33 000	32 900	64,0
66,0	21,5	25,3	32 500	32 300	32 000	32 600	32 400	32 300	66,0

MLC650 VPC-MAX S-2



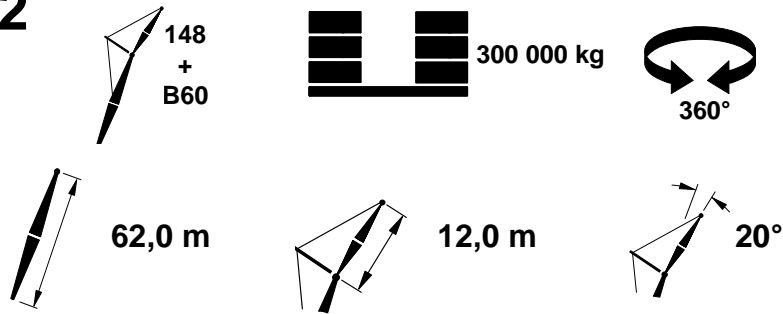
m	°	m	11,8 m			18,3 m			m
			0° kg	1° kg	2° kg	0° kg	1° kg	2° kg	
13,7									13,7
14,0									14,0
16,0	81,8	69,3	64 500			64 500			16,0
18,0	80,0	68,8	62 000			62 000			18,0
20,0	78,3	68,3	58 900	58 900		58 900	58 900	53 400	20,0
22,0	76,5	67,7	56 100	55 900	52 500	56 100	55 900	52 500	22,0
24,0	74,7	67,0	53 600	53 400	51 700	53 600	53 400	51 700	24,0
26,0	72,9	66,3	51 200	51 100	50 500	51 200	51 100	50 500	26,0
28,0	71,1	65,5	49 200	49 000	48 500	49 200	49 000	48 500	28,0
30,0	69,3	64,6	47 300	47 100	46 700	47 300	47 100	46 700	30,0
32,0	67,4	63,6	45 500	45 400	45 000	45 500	45 400	45 000	32,0
34,0	65,5	62,6	43 900	43 800	43 500	43 900	43 800	43 500	34,0
36,0	63,5	61,4	42 400	42 300	42 000	42 400	42 300	42 000	36,0
38,0	61,5	60,2	41 100	40 900	40 700	41 100	40 900	40 700	38,0
40,0	59,5	58,9	39 800	39 700	39 500	39 800	39 700	39 500	40,0
42,0	57,4	57,4	38 600	38 500	38 400	38 600	38 500	38 400	42,0
44,0	55,3	55,9	37 600	37 500	37 400	37 600	37 500	37 400	44,0
46,0	53,1	54,2	36 600	36 500	36 400	36 600	36 500	36 400	46,0
48,0	50,8	52,4	35 600	35 500	35 500	35 600	35 500	35 500	48,0
50,0	48,4	50,4	34 800	34 700	34 600	34 800	34 700	34 600	50,0
52,0	45,9	48,3	34 000	33 900	33 900	34 000	33 900	33 900	52,0
54,0	43,3	45,9	33 300	33 200	33 100	33 300	33 200	33 100	54,0
56,0	40,6	43,4	32 600	32 500	32 500	32 600	32 500	32 500	56,0
58,0	37,6	40,5	32 000	32 000	31 900	32 000	32 000	31 900	58,0
60,0	34,4	37,3	31 500	31 400	31 400	31 500	31 400	31 400	60,0
62,0	30,9	33,6	31 100	31 000	31 000	31 100	31 000	31 000	62,0
64,0	26,9	29,3	30 800	30 700	30 600	30 800	30 700	30 600	64,0
66,0									66,0

MLC650 VPC-MAX S-2



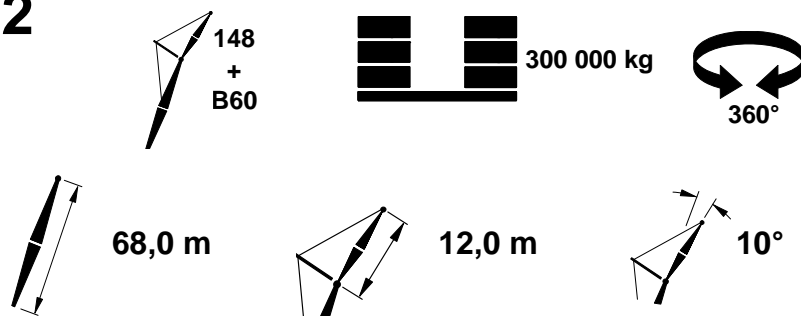
m	°	m	11,8 m			18,3 m			m
			0°	1°	2°	0°	1°	2°	
			kg	kg	kg	kg	kg	kg	
13,7	82,9	76,3	65 000			65 000			13,7
14,0	82,6	76,3	65 000			65 000			14,0
16,0	81,1	75,9	65 000	61 800		65 000	61 800		16,0
18,0	79,5	75,5	65 000	61 500	56 100	65 000	61 500	56 100	18,0
20,0	77,9	75,0	65 000	61 100	55 900	65 000	61 100	55 900	20,0
22,0	76,3	74,4	65 000	60 800	55 600	65 000	60 800	55 600	22,0
24,0	74,7	73,8	65 000	60 500	55 400	65 000	60 500	55 400	24,0
26,0	73,1	73,2	65 000	60 300	55 200	65 000	60 300	55 200	26,0
28,0	71,4	72,4	64 700	59 600	54 500	64 700	59 600	54 500	28,0
30,0	69,8	71,6	62 600	58 500	53 700	62 600	58 500	53 700	30,0
32,0	68,1	70,8	59 700	57 400	52 900	59 700	57 400	52 900	32,0
34,0	66,4	69,8	57 000	56 200	52 100	57 000	56 200	52 100	34,0
36,0	64,6	68,8	54 600	54 200	51 300	54 600	54 200	51 300	36,0
38,0	62,9	67,7	52 400	52 000	50 600	52 400	52 000	50 600	38,0
40,0	61,1	66,6	50 400	50 000	49 600	50 400	50 000	49 600	40,0
42,0	59,3	65,3	48 500	48 200	47 900	48 500	48 200	47 900	42,0
44,0	57,4	64,0	46 800	46 500	46 200	46 800	46 500	46 200	44,0
46,0	55,5	62,5	45 200	44 900	44 600	45 200	44 900	44 600	46,0
48,0	53,5	61,0	43 700	43 500	43 200	43 700	43 500	43 200	48,0
50,0	51,5	59,3	42 300	42 100	41 800	42 300	42 100	41 800	50,0
52,0	49,5	57,5	41 000	40 800	40 600	41 000	40 800	40 600	52,0
54,0	47,3	55,6	39 800	39 600	39 400	39 800	39 600	39 400	54,0
56,0	45,1	53,5	38 800	38 500	38 300	38 800	38 500	38 300	56,0
58,0	42,8	51,2	37 700	37 500	37 300	37 700	37 500	37 300	58,0
60,0	40,3	48,8	36 800	36 600	36 400	36 800	36 600	36 400	60,0
62,0	37,7	46,1	35 900	35 700	35 000	35 900	35 700	35 500	62,0
64,0	35,0	43,1	34 700	33 700	32 700	35 000	34 900	34 700	64,0
66,0	32,0	39,8	32 200	31 300	30 400	34 300	34 100	34 000	66,0
68,0	28,7	36,1	29 700	28 900	28 200	33 600	33 400	33 300	68,0
70,0	25,0	31,7	27 400	26 700	26 100	33 000	32 800	32 700	70,0

MLC650 VPC-MAX S-2



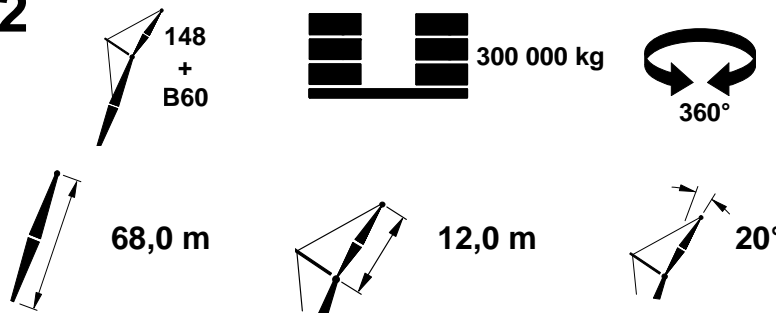
m	°	m	11,8 m			18,3 m			m
			0° kg	1° kg	2° kg	0° kg	1° kg	2° kg	
13,7									13,7
14,0									14,0
16,0									16,0
18,0	80,9	75,0	63 500	59 300		63 500	59 300		18,0
20,0	79,3	74,5	60 600	58 200	53 600	60 600	58 200	53 600	20,0
22,0	77,7	73,9	57 800	57 100	52 900	57 800	57 100	52 900	22,0
24,0	76,0	73,3	55 300	55 100	52 100	55 300	55 100	52 100	24,0
26,0	74,4	72,7	53 100	52 900	51 300	53 100	52 900	51 300	26,0
28,0	72,7	71,9	51 000	50 800	50 200	51 000	50 800	50 200	28,0
30,0	71,1	71,1	49 100	49 000	48 400	49 100	49 000	48 400	30,0
32,0	69,4	70,2	47 400	47 200	46 700	47 400	47 200	46 700	32,0
34,0	67,7	69,3	45 800	45 600	45 200	45 800	45 600	45 200	34,0
36,0	65,9	68,3	44 300	44 100	43 800	44 300	44 100	43 800	36,0
38,0	64,1	67,2	42 900	42 700	42 500	42 900	42 700	42 500	38,0
40,0	62,3	66,0	41 600	41 500	41 200	41 600	41 500	41 200	40,0
42,0	60,5	64,7	40 400	40 300	40 100	40 400	40 300	40 100	42,0
44,0	58,6	63,4	39 300	39 200	39 000	39 300	39 200	39 000	44,0
46,0	56,7	61,9	38 300	38 200	38 100	38 300	38 200	38 100	46,0
48,0	54,7	60,3	37 300	37 200	37 100	37 300	37 200	37 100	48,0
50,0	52,7	58,7	36 400	36 300	36 200	36 400	36 300	36 200	50,0
52,0	50,6	56,9	35 600	35 500	35 400	35 600	35 500	35 400	52,0
54,0	48,4	54,9	34 800	34 700	34 600	34 800	34 700	34 600	54,0
56,0	46,1	52,8	34 100	34 000	33 900	34 100	34 000	33 900	56,0
58,0	43,8	50,5	33 400	33 300	33 300	33 400	33 300	33 300	58,0
60,0	41,3	48,0	32 800	32 700	32 600	32 800	32 700	32 600	60,0
62,0	38,7	45,3	32 200	32 200	32 100	32 200	32 200	32 100	62,0
64,0	35,9	42,3	31 700	31 700	31 600	31 700	31 700	31 600	64,0
66,0	32,8	38,9	31 300	31 000	30 700	31 300	31 200	31 200	66,0
68,0	29,4	35,0	30 000	29 200	28 500	31 000	30 900	30 800	68,0
70,0									70,0

MLC650 VPC-MAX S-2



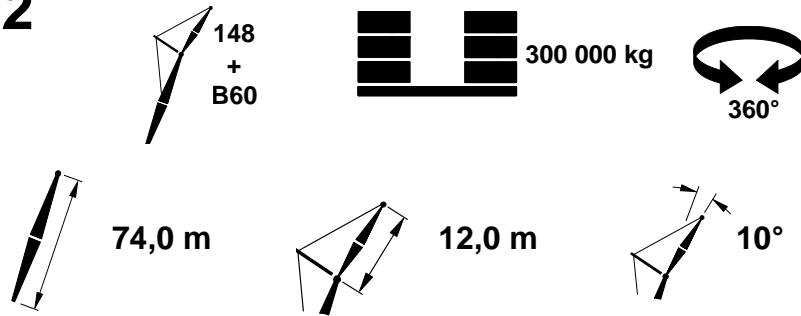
m	°	m	11,8 m			18,3 m			m
			0°	1°	2°	0°	1°	2°	
			kg	kg	kg	kg	kg	kg	
15,2	82,3	82,1	65 000			65 000			15,2
16,0	81,7	82,0	65 000			65 000			16,0
18,0	80,3	81,6	65 000	61 300		65 000	61 300		18,0
20,0	78,8	81,2	65 000	61 000	55 700	65 000	61 000	55 700	20,0
22,0	77,4	80,7	65 000	60 700	55 500	65 000	60 700	55 500	22,0
24,0	75,9	80,1	65 000	60 400	55 300	65 000	60 400	55 300	24,0
26,0	74,4	79,5	65 000	60 200	55 100	65 000	60 200	55 100	26,0
28,0	72,9	78,8	65 000	60 000	54 800	65 000	60 000	54 800	28,0
30,0	71,3	78,1	64 700	59 300	54 200	64 700	59 300	54 200	30,0
32,0	69,8	77,3	62 700	58 300	53 500	62 700	58 300	53 500	32,0
34,0	68,3	76,4	60 000	57 300	52 800	60 000	57 300	52 800	34,0
36,0	66,7	75,5	57 500	56 300	52 000	57 500	56 300	52 000	36,0
38,0	65,1	74,5	55 200	54 800	51 300	55 200	54 800	51 300	38,0
40,0	63,5	73,5	53 100	52 700	50 700	53 100	52 700	50 700	40,0
42,0	61,8	72,3	51 200	50 800	50 000	51 200	50 800	50 000	42,0
44,0	60,2	71,1	49 400	49 100	48 700	49 400	49 100	48 700	44,0
46,0	58,5	69,9	47 700	47 400	47 100	47 700	47 400	47 100	46,0
48,0	56,7	68,5	46 200	45 900	45 600	46 200	45 900	45 600	48,0
50,0	55,0	67,0	44 800	44 500	44 200	44 800	44 500	44 200	50,0
52,0	53,1	65,4	43 400	43 100	42 900	43 400	43 100	42 900	52,0
54,0	51,3	63,8	42 200	41 900	41 700	42 200	41 900	41 700	54,0
56,0	49,4	62,0	41 000	40 800	40 500	41 000	40 800	40 500	56,0
58,0	47,4	60,1	39 900	39 700	39 400	39 900	39 700	39 500	58,0
60,0	45,3	58,0	38 900	38 300	37 000	38 900	38 700	38 500	60,0
62,0	43,2	55,8	37 000	35 700	34 400	37 900	37 700	37 500	62,0
64,0	41,0	53,4	34 300	33 100	31 900	37 000	36 800	36 700	64,0
66,0	38,6	50,8	31 800	30 700	29 600	36 200	36 000	35 800	66,0
68,0	36,2	48,0	29 400	28 400	27 400	35 400	35 200	35 100	68,0
70,0	33,5	44,9	27 100	26 200	25 300	34 700	34 500	34 300	70,0
74,0	27,5	37,5	22 800	22 100	21 500	33 400	33 200	33 100	74,0

MLC650 VPC-MAX S-2



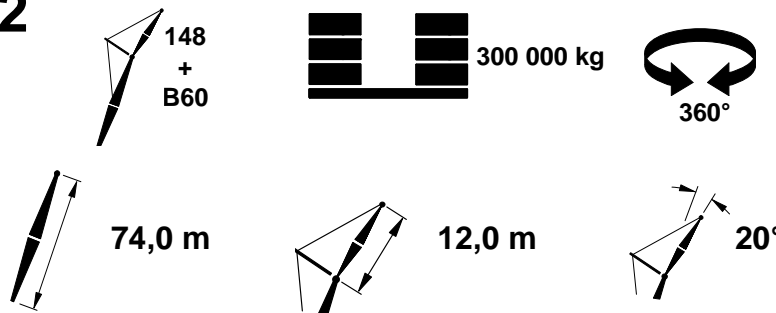
m	°	m	11,8 m			18,3 m			m
			0°	1°	2°	0°	1°	2°	
			kg	kg	kg	kg	kg	kg	
15,2									15,2
16,0									16,0
18,0	81,6	81,1	64 600			64 600			18,0
20,0	80,1	80,7	62 000			62 000			20,0
22,0	78,6	80,2	59 400			59 400			22,0
24,0	77,1	79,6	56 900			56 900			24,0
26,0	75,6	79,0	54 700			54 700			26,0
28,0	74,1	78,3	52 700			52 700			28,0
30,0	72,6	77,6	50 800			50 800			30,0
32,0	71,0	76,8	49 000			49 000			32,0
34,0	69,5	75,9	47 400			47 400			34,0
36,0	67,9	75,0	45 900			45 900			36,0
38,0	66,3	74,0	44 500			44 500			38,0
40,0	64,6	72,9	43 300			43 300			40,0
42,0	63,0	71,8	42 100			42 100			42,0
44,0	61,3	70,6	40 900			40 900			44,0
46,0	59,6	69,3	39 900			39 900			46,0
48,0	57,8	67,9	38 900			38 900			48,0
50,0	56,0	66,4	38 000			38 000			50,0
52,0	54,2	64,8	37 100			37 100			52,0
54,0	52,3	63,1	36 300			36 300			54,0
56,0	50,4	61,3	35 500			35 500			56,0
58,0	48,4	59,4	34 800			34 800			58,0
60,0	46,3	57,3	34 100			34 100			60,0
62,0	44,2	55,1	33 500			33 500			62,0
64,0	41,9	52,6	32 900			32 900			64,0
66,0	39,5	50,0	32 100			32 400			66,0
68,0	37,0	47,1	29 800			31 900			68,0
70,0	34,3	43,9	27 500			31 500			70,0
74,0	28,1	36,3	23 100			30 800			74,0

MLC650 VPC-MAX S-2



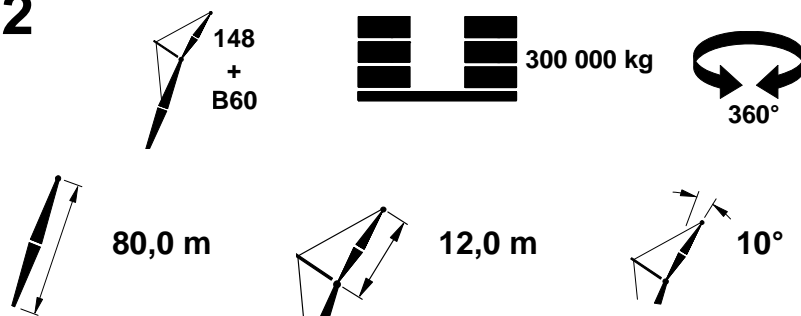
m	°	m	11,8 m			18,3 m			m
			0°	1°	2°	0°	1°	2°	
			kg	kg	kg	kg	kg	kg	
15,2	82,8	88,2	65 000			65 000			15,2
16,0	82,3	88,1	65 000			65 000			16,0
18,0	81,0	87,7	65 000	61 100		65 000	61 100		18,0
20,0	79,6	87,3	65 000	60 800	55 500	65 000	60 800	55 500	20,0
22,0	78,3	86,8	65 000	60 600	55 200	65 000	60 600	55 200	22,0
24,0	76,9	86,3	65 000	60 300	55 100	65 000	60 300	55 100	24,0
26,0	75,5	85,8	65 000	60 100	54 900	65 000	60 100	54 900	26,0
28,0	74,1	85,1	65 000	59 900	54 700	65 000	59 900	54 700	28,0
30,0	72,7	84,5	65 000	59 700	54 500	65 000	59 700	54 500	30,0
32,0	71,3	83,7	64 800	59 100	53 900	64 800	59 100	53 900	32,0
34,0	69,9	83,0	62 800	58 100	53 200	62 800	58 100	53 200	34,0
36,0	68,4	82,1	60 300	57 200	52 600	60 300	57 200	52 600	36,0
38,0	67,0	81,2	57 900	56 300	51 900	57 900	56 300	51 900	38,0
40,0	65,5	80,3	55 800	55 300	51 300	55 800	55 300	51 300	40,0
42,0	64,0	79,2	53 800	53 400	50 700	53 800	53 400	50 700	42,0
44,0	62,5	78,1	52 000	51 600	50 000	52 000	51 600	50 000	44,0
46,0	60,9	77,0	50 200	49 900	49 300	50 200	49 900	49 300	46,0
48,0	59,4	75,7	48 600	48 300	48 000	48 600	48 300	48 000	48,0
50,0	57,8	74,4	47 200	46 800	46 500	47 200	46 800	46 500	50,0
52,0	56,2	73,0	45 800	45 500	45 200	45 800	45 500	45 200	52,0
54,0	54,5	71,5	44 400	44 200	43 400	44 400	44 200	43 900	54,0
56,0	52,8	69,9	43 200	42 200	40 400	43 200	43 000	42 700	56,0
58,0	51,1	68,2	41 100	39 300	37 500	42 100	41 800	41 600	58,0
60,0	49,3	66,4	38 100	36 400	34 700	41 000	40 700	40 500	60,0
62,0	47,4	64,5	35 200	33 600	32 100	40 000	39 700	39 500	62,0
64,0	45,5	62,5	32 500	31 100	29 700	39 000	38 800	38 600	64,0
66,0	43,6	60,3	30 000	28 700	27 400	38 100	37 900	37 700	66,0
68,0	41,5	58,0	27 600	26 400	25 200	37 300	37 100	36 900	68,0
70,0	39,4	55,5	25 300	24 200	23 200	36 400	36 300	36 100	70,0
74,0	34,8	49,8	21 100	20 200	19 400	35 000	34 800	34 700	74,0
78,0	29,5	42,9	17 300	16 600	15 900	33 800	33 600	33 500	78,0
82,0	23,0	34,0	13 700	13 200	12 700	32 700	32 600	32 400	82,0

MLC650 VPC-MAX S-2



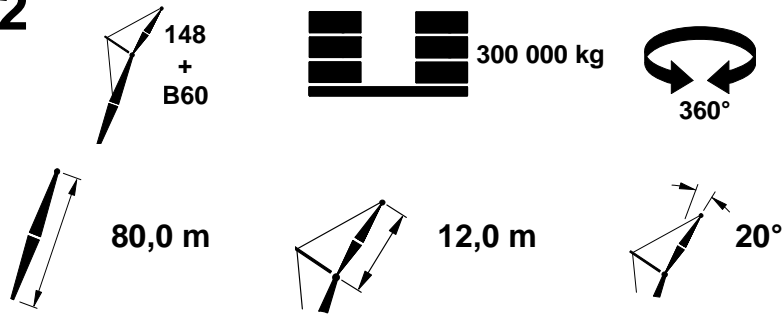
m	°	m	11,8 m			18,3 m			m
			0° kg	1° kg	2° kg	0° kg	1° kg	2° kg	
15,2									15,2
16,0									16,0
18,0									18,0
20,0	80,8	86,8	63 400	58 800	53 800	63 400	58 800	53 800	20,0
22,0	79,4	86,3	60 800	57 900	53 200	60 800	57 900	53 200	22,0
24,0	78,1	85,8	58 400	57 000	52 500	58 400	57 000	52 500	24,0
26,0	76,7	85,3	56 200	56 000	51 900	56 200	56 000	51 900	26,0
28,0	75,3	84,6	54 200	54 000	51 300	54 200	54 000	51 300	28,0
30,0	73,9	84,0	52 300	52 100	50 700	52 300	52 100	50 700	30,0
32,0	72,4	83,2	50 600	50 400	49 900	50 600	50 400	49 900	32,0
34,0	71,0	82,4	49 000	48 900	48 300	49 000	48 900	48 300	34,0
36,0	69,5	81,6	47 500	47 400	46 900	47 500	47 400	46 900	36,0
38,0	68,1	80,7	46 100	46 000	45 600	46 100	46 000	45 600	38,0
40,0	66,6	79,7	44 800	44 700	44 300	44 800	44 700	44 300	40,0
42,0	65,1	78,7	43 600	43 500	43 200	43 600	43 500	43 200	42,0
44,0	63,5	77,6	42 400	42 300	42 100	42 400	42 300	42 100	44,0
46,0	62,0	76,4	41 400	41 300	41 000	41 400	41 300	41 000	46,0
48,0	60,4	75,1	40 400	40 300	40 100	40 400	40 300	40 100	48,0
50,0	58,8	73,8	39 400	39 300	39 200	39 400	39 300	39 200	50,0
52,0	57,2	72,4	38 500	38 400	38 300	38 500	38 400	38 300	52,0
54,0	55,5	70,9	37 700	37 600	37 500	37 700	37 600	37 500	54,0
56,0	53,8	69,3	36 900	36 800	36 700	36 900	36 800	36 700	56,0
58,0	52,0	67,6	36 200	36 100	36 000	36 200	36 100	36 000	58,0
60,0	50,2	65,8	35 500	35 400	35 000	35 500	35 400	35 300	60,0
62,0	48,4	63,9	34 800	34 100	32 900	34 800	34 700	34 600	62,0
64,0	46,5	61,8	33 200	31 800	30 400	34 200	34 100	34 000	64,0
66,0	44,5	59,6	30 600	29 300	28 000	33 600	33 500	33 400	66,0
68,0	42,4	57,2	28 200	26 900	25 800	33 100	33 000	32 900	68,0
70,0	40,2	54,7	25 800	24 700	23 700	32 600	32 500	32 400	70,0
74,0	35,5	48,9	21 500	20 600	19 700	31 700	31 600	31 600	74,0
78,0	30,1	41,8	17 500	16 800	16 100	31 000	30 900	30 900	78,0
82,0									82,0

MLC650 VPC-MAX S-2



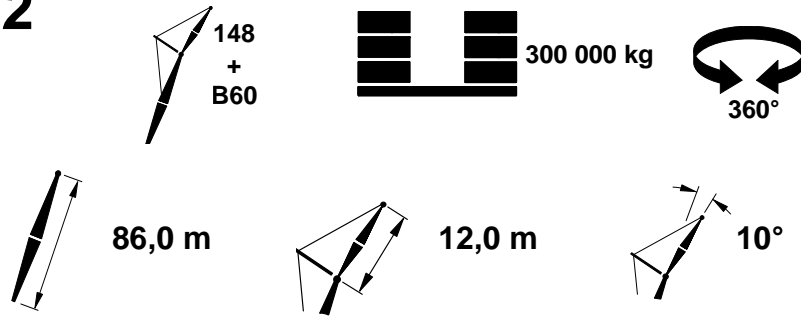
m	°	m	11,8 m			18,3 m			m
			0°	1°	2°	0°	1°	2°	
			kg	kg	kg	kg	kg	kg	
16,8	82,4	94,0	65 000			65 000			16,8
18,0	81,6	93,8	65 000			65 000			18,0
20,0	80,3	93,4	65 000	60 600	55 200	65 000	60 600	55 200	20,0
22,0	79,0	93,0	65 000	60 400	55 000	65 000	60 400	55 000	22,0
24,0	77,8	92,5	65 000	60 100	54 800	65 000	60 100	54 800	24,0
26,0	76,5	92,0	65 000	59 900	54 700	65 000	59 900	54 700	26,0
28,0	75,2	91,4	65 000	59 700	54 500	65 000	59 700	54 500	28,0
30,0	73,9	90,8	65 000	59 600	54 400	65 000	59 600	54 400	30,0
32,0	72,6	90,1	65 000	59 400	54 200	65 000	59 400	54 200	32,0
34,0	71,2	89,4	64 500	58 800	53 600	64 500	58 800	53 600	34,0
36,0	69,9	88,6	62 900	57 900	53 000	62 900	57 900	53 000	36,0
38,0	68,6	87,8	60 500	57 100	52 400	60 500	57 100	52 400	38,0
40,0	67,2	86,9	58 300	56 200	51 700	58 300	56 200	51 700	40,0
42,0	65,8	86,0	56 300	55 500	51 100	56 300	55 500	51 100	42,0
44,0	64,4	84,9	54 400	54 000	50 600	54 400	54 000	50 600	44,0
46,0	63,0	83,9	52 600	52 200	50 000	52 600	52 200	50 000	46,0
48,0	61,6	82,7	51 000	50 600	49 500	51 000	50 600	49 500	48,0
50,0	60,1	81,5	49 500	49 100	48 600	49 500	49 100	48 700	50,0
52,0	58,7	80,3	48 000	47 500	45 400	48 000	47 700	47 400	52,0
54,0	57,2	78,9	46 300	44 400	42 000	46 700	46 300	46 100	54,0
56,0	55,6	77,5	43 300	41 000	38 900	45 400	45 100	44 800	56,0
58,0	54,1	76,0	40 000	37 900	36 000	44 200	43 900	43 600	58,0
60,0	52,5	74,4	37 000	35 000	33 200	43 100	42 800	42 500	60,0
62,0	50,9	72,7	34 100	32 300	30 700	42 000	41 700	41 500	62,0
64,0	49,2	70,9	31 400	29 800	28 200	41 000	40 700	40 500	64,0
66,0	47,5	69,0	28 800	27 400	25 900	40 000	39 800	39 600	66,0
68,0	45,7	67,0	26 500	25 100	23 800	39 100	38 900	38 700	68,0
70,0	43,9	64,9	24 200	22 900	21 700	38 300	38 100	37 900	70,0
74,0	40,0	60,1	20 000	19 000	18 000	36 700	36 500	36 300	74,0
78,0	35,8	54,6	16 300	15 400	14 500	35 300	35 100	35 000	78,0
82,0	31,1	48,1	12 800	12 100	11 400	34 100	34 000	33 800	82,0
86,0	25,5	40,1	9 600	9 000	8 500	33 100	32 900	32 800	86,0

MLC650 VPC-MAX S-2



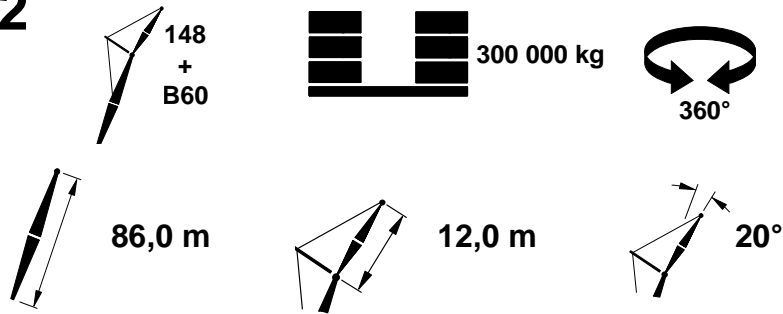
m	°	m	11,8 m			18,3 m			m
			0°	1°	2°	0°	1°	2°	
			kg	kg	kg	kg	kg	kg	
16,8									16,8
18,0									18,0
20,0	81,4	92,9	64 600	58 700		64 600	58 700		20,0
22,0	80,1	92,5	62 100	58 100	53 200	62 100	58 100	53 200	22,0
24,0	78,9	92,0	59 700	57 300	52 600	59 700	57 300	52 600	24,0
26,0	77,6	91,5	57 600	56 500	52 000	57 600	56 500	52 000	26,0
28,0	76,3	90,9	55 600	55 400	51 500	55 600	55 400	51 500	28,0
30,0	75,0	90,3	53 800	53 600	50 900	53 800	53 600	50 900	30,0
32,0	73,6	89,6	52 100	51 900	50 400	52 100	51 900	50 400	32,0
34,0	72,3	88,9	50 500	50 300	49 700	50 500	50 300	49 700	34,0
36,0	71,0	88,1	49 000	48 800	48 300	49 000	48 800	48 300	36,0
38,0	69,6	87,3	47 600	47 400	47 000	47 600	47 400	47 000	38,0
40,0	68,2	86,4	46 300	46 100	45 700	46 300	46 100	45 700	40,0
42,0	66,9	85,4	45 100	44 900	44 500	45 100	44 900	44 500	42,0
44,0	65,5	84,4	43 900	43 800	43 400	43 900	43 800	43 400	44,0
46,0	64,0	83,3	42 800	42 700	42 400	42 800	42 700	42 400	46,0
48,0	62,6	82,2	41 800	41 700	41 400	41 800	41 700	41 400	48,0
50,0	61,1	81,0	40 800	40 700	40 500	40 800	40 700	40 500	50,0
52,0	59,6	79,7	39 900	39 800	39 600	39 900	39 800	39 600	52,0
54,0	58,1	78,3	39 100	39 000	38 800	39 100	39 000	38 800	54,0
56,0	56,6	76,9	38 300	38 100	38 000	38 300	38 100	38 000	56,0
58,0	55,0	75,4	37 500	37 400	36 900	37 500	37 400	37 300	58,0
60,0	53,4	73,8	36 800	36 000	34 100	36 800	36 600	36 600	60,0
62,0	51,8	72,1	35 000	33 200	31 500	36 100	36 000	35 900	62,0
64,0	50,1	70,3	32 200	30 500	29 000	35 400	35 300	35 300	64,0
66,0	48,4	68,3	29 600	28 100	26 700	34 800	34 700	34 600	66,0
68,0	46,6	66,3	27 100	25 800	24 400	34 200	34 200	34 100	68,0
70,0	44,7	64,1	24 800	23 600	22 300	33 700	33 600	33 500	70,0
74,0	40,8	59,3	20 600	19 500	18 500	32 700	32 600	32 600	74,0
78,0	36,5	53,7	16 700	15 800	14 900	31 900	31 800	31 700	78,0
82,0	31,7	47,1	13 100	12 400	11 700	31 200	31 100	31 000	82,0
86,0									86,0

MLC650 VPC-MAX S-2



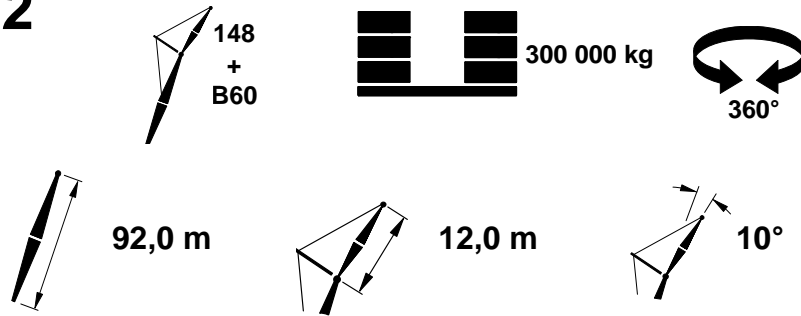
m	°	m	11,8 m			18,3 m			m
			0°	1°	2°	0°	1°	2°	
			kg	kg	kg	kg	kg	kg	
16,8	82,8	100,1	65 000			65 000			16,8
18,0	82,1	99,9	65 000			65 000			18,0
20,0	80,9	99,6	65 000	60 400		65 000	60 400		20,0
22,0	79,7	99,2	65 000	60 100	54 700	65 000	60 100	54 700	22,0
24,0	78,5	98,7	65 000	59 900	54 500	65 000	59 900	54 500	24,0
26,0	77,3	98,2	65 000	59 700	54 400	65 000	59 700	54 400	26,0
28,0	76,1	97,7	65 000	59 500	54 200	65 000	59 500	54 200	28,0
30,0	74,9	97,1	65 000	59 400	54 100	65 000	59 400	54 100	30,0
32,0	73,7	96,5	65 000	59 200	54 000	65 000	59 200	54 000	32,0
34,0	72,4	95,8	64 900	59 000	53 800	64 900	59 000	53 800	34,0
36,0	71,2	95,1	64 300	58 400	53 200	64 300	58 400	53 200	36,0
38,0	69,9	94,3	63 000	57 700	52 600	63 000	57 700	52 600	38,0
40,0	68,7	93,5	60 800	56 900	52 100	60 800	56 900	52 100	40,0
42,0	67,4	92,6	58 700	56 100	51 500	58 700	56 100	51 500	42,0
44,0	66,1	91,7	56 800	55 400	51 000	56 800	55 400	51 000	44,0
46,0	64,8	90,7	55 000	54 500	50 400	55 000	54 500	50 400	46,0
48,0	63,5	89,6	53 300	52 900	49 900	53 300	52 900	49 900	48,0
50,0	62,2	88,5	51 700	51 300	49 400	51 700	51 300	49 400	50,0
52,0	60,8	87,4	50 200	49 700	47 800	50 200	49 800	49 000	52,0
54,0	59,5	86,1	48 800	46 900	44 200	48 800	48 500	48 100	54,0
56,0	58,1	84,8	46 000	43 400	41 000	47 500	47 200	46 800	56,0
58,0	56,6	83,5	42 500	40 100	37 900	46 300	45 900	45 700	58,0
60,0	55,2	82,0	39 300	37 100	35 000	45 100	44 800	44 500	60,0
62,0	53,7	80,5	36 300	34 300	32 300	44 000	43 700	43 400	62,0
64,0	52,2	78,9	33 400	31 600	29 800	42 900	42 700	42 400	64,0
66,0	50,7	77,2	30 800	29 000	27 400	41 900	41 700	41 400	66,0
68,0	49,1	75,4	28 300	26 700	25 100	41 000	40 700	40 500	68,0
70,0	47,5	73,5	25 900	24 400	23 000	40 100	39 900	39 700	70,0
74,0	44,2	69,4	21 500	20 300	19 100	38 400	38 300	38 000	74,0
78,0	40,6	64,7	17 600	16 500	15 500	37 000	36 800	36 600	78,0
82,0	36,7	59,4	14 000	13 100	12 200	35 600	35 500	35 300	82,0
86,0	32,4	53,2	10 700	9 900	9 200	34 500	34 300	34 100	86,0
90,0	27,5	45,7	7 700	7 000	6 500	33 400	33 300	33 100	90,0
94,0	21,4	36,2	4 800	4 300	3 900	32 600	32 400	32 300	94,0

MLC650 VPC-MAX S-2



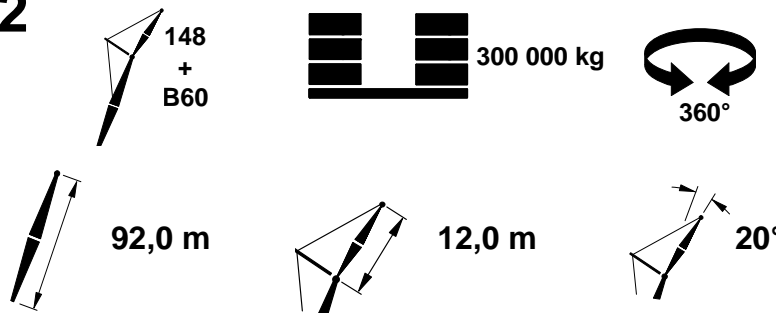
m	°	m	11,8 m			18,3 m			m
			0°	1°	2°	0°	1°	2°	
			kg	kg	kg	kg	kg	kg	
16,8									16,8
18,0									18,0
20,0	82,0	99,1	64 600			64 600			20,0
22,0	80,8	98,7	63 200	58 100		63 200	58 100		22,0
24,0	79,6	98,2	61 000	57 400	52 500	61 000	57 400	52 500	24,0
26,0	78,3	97,7	58 900	56 700	52 000	58 900	56 700	52 000	26,0
28,0	77,1	97,2	56 900	56 000	51 500	56 900	56 000	51 500	28,0
30,0	75,9	96,6	55 100	54 900	51 000	55 100	54 900	51 000	30,0
32,0	74,7	95,9	53 400	53 200	50 500	53 400	53 200	50 500	32,0
34,0	73,4	95,3	51 900	51 700	50 000	51 900	51 700	50 000	34,0
36,0	72,2	94,5	50 400	50 200	49 400	50 400	50 200	49 400	36,0
38,0	70,9	93,8	49 000	48 800	48 300	49 000	48 800	48 300	38,0
40,0	69,7	92,9	47 700	47 500	47 000	47 700	47 500	47 000	40,0
42,0	68,4	92,0	46 500	46 300	45 800	46 500	46 300	45 800	42,0
44,0	67,1	91,1	45 300	45 200	44 700	45 300	45 200	44 700	44,0
46,0	65,8	90,1	44 200	44 100	43 700	44 200	44 100	43 700	46,0
48,0	64,5	89,1	43 200	43 000	42 700	43 200	43 000	42 700	48,0
50,0	63,1	87,9	42 200	42 100	41 800	42 200	42 100	41 800	50,0
52,0	61,8	86,8	41 300	41 100	40 900	41 300	41 100	40 900	52,0
54,0	60,4	85,5	40 400	40 300	40 000	40 400	40 300	40 000	54,0
56,0	59,0	84,2	39 600	39 500	39 200	39 600	39 500	39 200	56,0
58,0	57,5	82,8	38 800	38 700	38 400	38 800	38 700	38 500	58,0
60,0	56,1	81,4	38 000	37 600	36 000	38 000	37 900	37 800	60,0
62,0	54,6	79,9	36 900	35 200	33 300	37 300	37 200	37 100	62,0
64,0	53,1	78,2	34 400	32 500	30 700	36 600	36 600	36 500	64,0
66,0	51,6	76,5	31 600	29 900	28 200	36 000	35 900	35 800	66,0
68,0	50,0	74,7	29 100	27 400	25 900	35 400	35 300	35 200	68,0
70,0	48,4	72,8	26 600	25 100	23 700	34 800	34 700	34 700	70,0
74,0	45,0	68,6	22 200	20 900	19 700	33 800	33 700	33 600	74,0
78,0	41,3	63,9	18 100	17 000	16 000	32 800	32 800	32 700	78,0
82,0	37,4	58,5	14 400	13 500	12 600	32 000	32 000	31 900	82,0
86,0	33,0	52,2	11 000	10 300	9 500	31 400	31 300	31 200	86,0
90,0									90,0
94,0									94,0

MLC650 VPC-MAX S-2



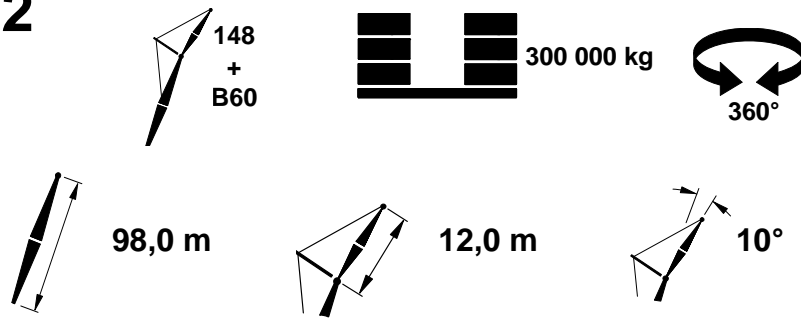
m	°	m	11,8 m			18,3 m			m
			0°	1°	2°	0°	1°	2°	
			kg	kg	kg	kg	kg	kg	
18,3	82,4	105,9	65 000			65 000			18,3
20,0	81,4	105,6	65 000	60 100		65 000	60 100		20,0
22,0	80,3	105,3	65 000	59 800	54 300	65 000	59 800	54 300	22,0
24,0	79,2	104,8	65 000	59 600	54 200	65 000	59 600	54 200	24,0
26,0	78,1	104,4	65 000	59 400	54 000	65 000	59 400	54 000	26,0
28,0	76,9	103,9	65 000	59 200	53 900	65 000	59 200	53 900	28,0
30,0	75,8	103,3	65 000	59 100	53 800	65 000	59 100	53 800	30,0
32,0	74,6	102,7	65 000	59 000	53 700	65 000	59 000	53 700	32,0
34,0	73,5	102,1	65 000	58 800	53 600	65 000	58 800	53 600	34,0
36,0	72,3	101,4	64 800	58 600	53 300	64 800	58 600	53 300	36,0
38,0	71,2	100,7	64 000	58 000	52 800	64 000	58 000	52 800	38,0
40,0	70,0	99,9	63 000	57 400	52 200	63 000	57 400	52 200	40,0
42,0	68,8	99,1	61 100	56 700	51 700	61 100	56 700	51 700	42,0
44,0	67,6	98,2	59 100	56 000	51 200	59 100	56 000	51 200	44,0
46,0	66,4	97,3	57 200	55 300	50 800	57 200	55 300	50 800	46,0
48,0	65,2	96,3	55 500	54 700	50 300	55 500	54 700	50 300	48,0
50,0	63,9	95,3	53 900	53 000	49 400	53 900	53 400	49 800	50,0
52,0	62,7	94,2	52 200	49 200	46 100	52 400	52 000	49 300	52,0
54,0	61,4	93,1	48 500	45 500	42 600	50 900	50 500	48 900	54,0
56,0	60,1	91,9	44 800	42 000	39 300	49 600	49 200	48 500	56,0
58,0	58,8	90,7	41 300	38 700	36 300	48 300	47 900	47 500	58,0
60,0	57,5	89,3	38 100	35 700	33 400	47 100	46 800	46 400	60,0
62,0	56,2	87,9	35 100	32 800	30 700	45 900	45 600	45 300	62,0
64,0	54,8	86,5	32 200	30 200	28 200	44 800	44 600	44 200	64,0
66,0	53,4	84,9	29 600	27 600	25 800	43 800	43 500	43 300	66,0
68,0	52,0	83,3	27 000	25 300	23 600	42 800	42 600	42 300	68,0
70,0	50,6	81,6	24 700	23 000	21 500	41 900	41 700	41 400	70,0
74,0	47,6	77,9	20 300	18 900	17 500	40 200	39 900	39 700	74,0
78,0	44,4	73,8	16 400	15 200	14 000	38 600	38 400	38 200	78,0
82,0	41,1	69,3	12 800	11 800	10 800	37 200	37 000	36 800	82,0
86,0	37,5	64,1	9 600	8 700	7 800	35 900	35 700	35 600	86,0
90,0	33,5	58,1	6 600	5 800	5 100	34 800	34 600	34 400	90,0
94,0	29,1	51,1	3 800			33 700	33 600	33 400	94,0
98,0	23,8	42,4				32 800	32 600	31 800	98,0

MLC650 VPC-MAX S-2



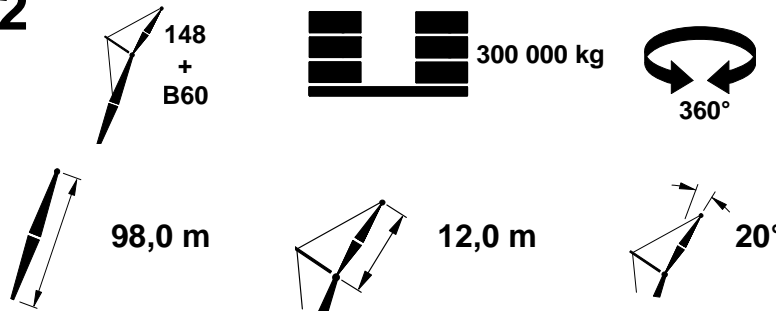
m	°	m	11,8 m			18,3 m			m
			0°	1°	2°	0°	1°	2°	
			kg	kg	kg	kg	kg	kg	
18,3									18,3
20,0	82,4	105,1	64 400			64 400			20,0
22,0	81,3	104,7	63 900	57 900		63 900	57 900		22,0
24,0	80,2	104,3	62 100	57 400	52 400	62 100	57 400	52 400	24,0
26,0	79,0	103,9	60 100	56 800	51 900	60 100	56 800	51 900	26,0
28,0	77,9	103,3	58 200	56 100	51 400	58 200	56 100	51 400	28,0
30,0	76,7	102,8	56 400	55 500	51 000	56 400	55 500	51 000	30,0
32,0	75,6	102,2	54 700	54 500	50 500	54 700	54 500	50 500	32,0
34,0	74,4	101,6	53 100	52 900	50 100	53 100	52 900	50 100	34,0
36,0	73,3	100,9	51 700	51 500	49 700	51 700	51 500	49 700	36,0
38,0	72,1	100,2	50 300	50 100	49 200	50 300	50 100	49 200	38,0
40,0	70,9	99,4	49 000	48 800	48 300	49 000	48 800	48 300	40,0
42,0	69,7	98,6	47 800	47 600	47 100	47 800	47 600	47 100	42,0
44,0	68,5	97,7	46 600	46 400	46 000	46 600	46 400	46 000	44,0
46,0	67,3	96,8	45 500	45 400	44 900	45 500	45 400	44 900	46,0
48,0	66,1	95,8	44 500	44 300	43 900	44 500	44 300	43 900	48,0
50,0	64,8	94,8	43 500	43 300	43 000	43 500	43 300	43 000	50,0
52,0	63,6	93,7	42 600	42 400	42 100	42 600	42 400	42 100	52,0
54,0	62,3	92,5	41 700	41 500	41 200	41 700	41 500	41 200	54,0
56,0	61,0	91,3	40 800	40 700	40 100	40 800	40 700	40 400	56,0
58,0	59,7	90,1	40 000	39 800	37 400	40 000	39 900	39 600	58,0
60,0	58,4	88,7	38 800	36 800	34 500	39 300	39 200	38 900	60,0
62,0	57,0	87,3	36 100	33 900	31 700	38 600	38 400	38 200	62,0
64,0	55,6	85,8	33 200	31 100	29 200	37 900	37 700	37 600	64,0
66,0	54,2	84,3	30 500	28 600	26 700	37 200	37 100	36 900	66,0
68,0	52,8	82,7	27 900	26 100	24 400	36 600	36 500	36 300	68,0
70,0	51,4	81,0	25 500	23 800	22 300	36 000	35 900	35 800	70,0
74,0	48,3	77,2	21 000	19 600	18 200	34 900	34 800	34 700	74,0
78,0	45,2	73,1	17 000	15 800	14 600	33 900	33 800	33 700	78,0
82,0	41,8	68,5	13 300	12 300	11 300	33 000	32 900	32 800	82,0
86,0	38,1	63,2	10 000	9 100	8 200	32 200	32 100	32 000	86,0
90,0	34,1	57,2	6 900	6 100	5 400	31 500	31 500	31 400	90,0
94,0	29,6	50,0	4 000	3 400		31 000	30 900	30 800	94,0
98,0									98,0

MLC650 VPC-MAX S-2



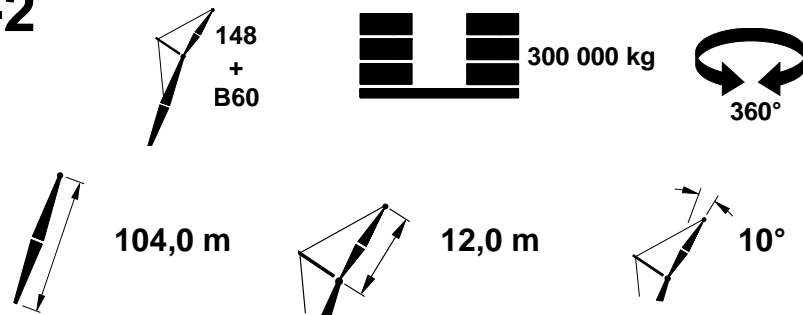
m	°	m	11,8 m			18,3 m			m
			0°	1°	2°	0°	1°	2°	
			kg	kg	kg	kg	kg	kg	
18,3	82,8	112,0	65 000			65 000			18,3
20,0	81,9	111,7	65 000			65 000			20,0
22,0	80,9	111,4	65 000	59 400		65 000	59 400		22,0
24,0	79,8	111,0	65 000	59 200	53 700	65 000	59 200	53 700	24,0
26,0	78,7	110,5	65 000	59 100	53 600	65 000	59 100	53 600	26,0
28,0	77,7	110,1	65 000	58 900	53 500	65 000	58 900	53 500	28,0
30,0	76,6	109,5	65 000	58 800	53 400	65 000	58 800	53 400	30,0
32,0	75,5	109,0	65 000	58 600	53 300	65 000	58 600	53 300	32,0
34,0	74,4	108,4	65 000	58 500	53 200	65 000	58 500	53 200	34,0
36,0	73,3	107,8	65 000	58 400	53 100	65 000	58 400	53 100	36,0
38,0	72,2	107,1	64 700	58 200	52 800	64 700	58 200	52 800	38,0
40,0	71,1	106,4	63 800	57 600	52 300	63 800	57 600	52 300	40,0
42,0	70,0	105,6	62 900	57 000	51 800	62 900	57 000	51 800	42,0
44,0	68,9	104,8	61 300	56 400	51 300	61 300	56 400	51 300	44,0
46,0	67,8	103,9	59 500	55 700	50 900	59 500	55 700	50 900	46,0
48,0	66,6	103,0	57 700	54 400	50 100	57 700	55 100	50 400	48,0
50,0	65,5	102,1	54 600	50 800	47 200	56 000	54 500	50 000	50,0
52,0	64,3	101,0	50 400	46 800	43 500	54 500	53 900	49 500	52,0
54,0	63,1	100,0	46 400	43 100	40 000	53 000	52 600	49 100	54,0
56,0	61,9	98,9	42 600	39 600	36 700	51 600	51 200	48 700	56,0
58,0	60,7	97,7	39 100	36 300	33 700	50 300	49 900	48 300	58,0
60,0	59,5	96,5	35 900	33 300	30 900	49 000	48 700	47 900	60,0
62,0	58,3	95,2	32 900	30 500	28 200	47 900	47 500	47 000	62,0
64,0	57,0	93,9	30 000	27 800	25 700	46 700	46 400	46 000	64,0
66,0	55,7	92,5	27 300	25 300	23 300	45 700	45 400	45 000	66,0
68,0	54,5	91,0	24 800	22 900	21 100	44 700	44 400	44 000	68,0
70,0	53,1	89,4	22 400	20 600	19 000	43 700	43 400	43 100	70,0
74,0	50,4	86,1	18 100	16 500	15 000	41 900	41 600	41 400	74,0
78,0	47,6	82,4	14 100	12 800	11 500	40 300	40 000	39 800	78,0
82,0	44,6	78,4	10 600	9 400	8 300	38 800	38 600	38 400	82,0
86,0	41,5	73,8	7 300	6 300	5 400	37 400	37 200	37 000	86,0
90,0	38,1	68,8	4 400			36 200	36 000	35 800	90,0
94,0	34,5	63,0				34 600	34 200	32 900	94,0
98,0	30,4	56,3				31 400	31 000	29 900	98,0
102,0	25,8	48,3				28 400	28 100	27 100	102,0
106,0	20,1	38,1				25 600	25 300	24 500	106,0

MLC650 VPC-MAX S-2



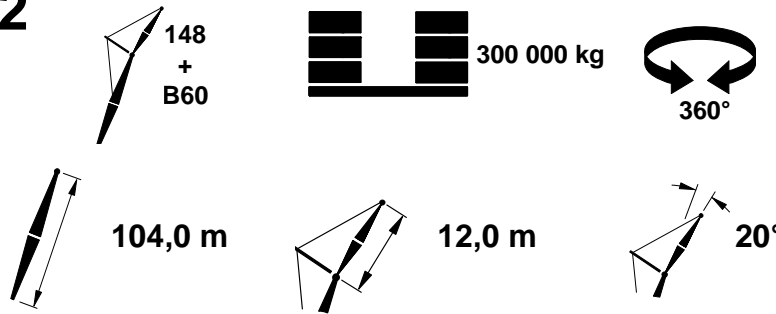
m	°	m	11,8 m			18,3 m			m
			0°	1°	2°	0°	1°	2°	
			kg	kg	kg	kg	kg	kg	
18,3									18,3
20,0	82,8	111,2	64 100			64 100			20,0
22,0	81,8	110,9	64 000			64 000			22,0
24,0	80,7	110,5	63 000			63 000			24,0
26,0	79,6	110,0	61 200	57 300	51 700	61 200	57 300	51 700	26,0
28,0	78,6	109,5	59 300	56 100	51 300	59 300	56 100	51 300	28,0
30,0	77,5	109,0	57 600	55 600	50 800	57 600	55 600	50 800	30,0
32,0	76,4	108,5	55 900	55 000	50 400	55 900	55 000	50 400	32,0
34,0	75,3	107,9	54 400	54 100	50 000	54 400	54 100	50 000	34,0
36,0	74,2	107,2	52 900	52 700	49 600	52 900	52 700	49 600	36,0
38,0	73,1	106,5	51 600	51 400	49 200	51 600	51 400	49 200	38,0
40,0	72,0	105,8	50 200	50 100	48 900	50 200	50 100	48 900	40,0
42,0	70,9	105,0	49 000	48 900	48 200	49 000	48 900	48 200	42,0
44,0	69,8	104,2	47 900	47 700	47 100	47 900	47 700	47 100	44,0
46,0	68,6	103,4	46 800	46 600	46 100	46 800	46 600	46 100	46,0
48,0	67,5	102,5	45 700	45 600	45 100	45 700	45 600	45 100	48,0
50,0	66,3	101,5	44 800	44 600	44 100	44 800	44 600	44 100	50,0
52,0	65,1	100,5	43 800	43 700	43 200	43 800	43 700	43 200	52,0
54,0	64,0	99,4	42 900	42 800	41 300	42 900	42 800	42 300	54,0
56,0	62,8	98,3	42 100	40 800	38 000	42 100	41 900	41 500	56,0
58,0	61,5	97,1	40 400	37 600	34 900	41 200	41 100	40 700	58,0
60,0	60,3	95,9	37 100	34 500	32 000	40 500	40 400	40 000	60,0
62,0	59,1	94,6	34 000	31 600	29 300	39 700	39 600	39 300	62,0
64,0	57,8	93,3	31 100	28 800	26 700	39 000	38 900	38 600	64,0
66,0	56,5	91,8	28 400	26 300	24 300	38 400	38 200	38 000	66,0
68,0	55,2	90,3	25 800	23 800	22 000	37 700	37 600	37 400	68,0
70,0	53,9	88,8	23 400	21 500	19 800	37 100	37 000	36 800	70,0
74,0	51,2	85,4	18 900	17 300	15 800	35 900	35 900	35 700	74,0
78,0	48,3	81,7	14 900	13 500	12 200	34 900	34 800	34 700	78,0
82,0	45,3	77,6	11 200	10 000	8 900	34 000	33 900	33 800	82,0
86,0	42,2	73,1	7 900	6 900	5 900	33 100	33 000	33 000	86,0
90,0	38,8	67,9	4 800	3 900		32 300	32 300	32 200	90,0
94,0	35,1	62,1				31 700	31 600	31 500	94,0
98,0	30,9	55,3				31 100	30 900	30 100	98,0
102,0									102,0
106,0									106,0

MLC650 VPC-MAX S-2



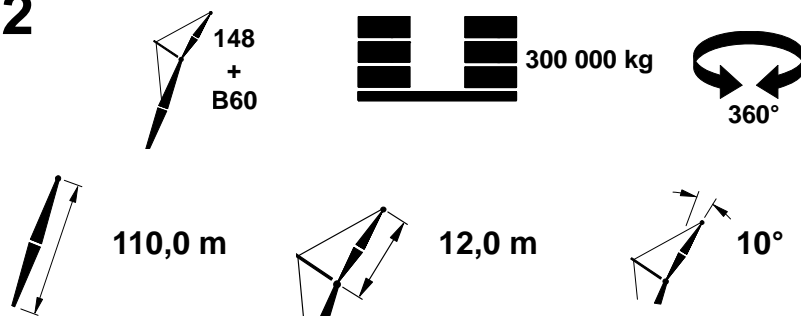
m	°	m	11,8 m			18,3 m			m
			0°	1°	2°	0°	1°	2°	
			kg	kg	kg	kg	kg	kg	
19,8	82,4	117,8	65 000			65 000			19,8
20,0	82,3	117,8	65 000			65 000			20,0
22,0	81,3	117,5	65 000	59 000		65 000	59 000		22,0
24,0	80,3	117,1	65 000	58 800	53 200	65 000	58 800	53 200	24,0
26,0	79,3	116,7	65 000	58 600	53 100	65 000	58 600	53 100	26,0
28,0	78,3	116,2	65 000	58 500	53 000	65 000	58 500	53 000	28,0
30,0	77,3	115,7	65 000	58 400	52 900	65 000	58 400	52 900	30,0
32,0	76,3	115,2	65 000	58 200	52 800	65 000	58 200	52 800	32,0
34,0	75,2	114,7	64 900	58 100	52 700	64 900	58 100	52 700	34,0
36,0	74,2	114,1	64 800	58 000	52 700	64 800	58 000	52 700	36,0
38,0	73,2	113,4	64 700	57 900	52 600	64 700	57 900	52 600	38,0
40,0	72,1	112,7	64 300	57 700	52 200	64 300	57 700	52 200	40,0
42,0	71,1	112,0	63 500	57 100	51 700	63 500	57 100	51 700	42,0
44,0	70,0	111,2	62 600	56 500	51 300	62 600	56 500	51 300	44,0
46,0	69,0	110,4	61 600	56 000	50 900	61 600	56 000	50 900	46,0
48,0	67,9	109,6	59 800	55 400	50 400	59 800	55 400	50 400	48,0
50,0	66,8	108,7	58 100	54 100	50 000	58 100	54 900	50 000	50,0
52,0	65,7	107,8	54 300	50 300	46 600	56 500	54 300	49 700	52,0
54,0	64,6	106,8	50 000	46 400	42 900	55 000	53 800	49 300	54,0
56,0	63,5	105,7	46 100	42 700	39 500	53 600	53 100	48 900	56,0
58,0	62,4	104,6	42 400	39 300	36 400	52 300	51 800	48 500	58,0
60,0	61,3	103,5	39 000	36 100	33 400	51 000	50 600	48 100	60,0
62,0	60,1	102,3	35 800	33 200	30 600	49 800	49 400	47 800	62,0
64,0	59,0	101,1	32 800	30 300	28 000	48 600	48 300	47 400	64,0
66,0	57,8	99,8	30 100	27 700	25 500	47 500	47 200	46 600	66,0
68,0	56,6	98,4	27 400	25 200	23 200	46 500	46 100	45 600	68,0
70,0	55,4	97,0	24 900	22 900	21 000	45 500	45 200	44 700	70,0
74,0	52,9	93,9	20 300	18 600	16 900	43 600	43 300	42 900	74,0
78,0	50,3	90,6	16 200	14 700	13 200	41 900	41 700	41 300	78,0
82,0	47,6	86,9	12 500	11 200	9 900	40 400	40 200	39 800	82,0
86,0	44,8	82,9	9 100	7 900	6 800	39 000	38 700	38 300	86,0
90,0	41,9	78,4	6 000	5 000	4 000	37 100	36 600	34 900	90,0
94,0	38,7	73,4				33 600	33 100	31 700	94,0
98,0	35,3	67,8				30 300	29 900	28 600	98,0
102,0	31,6	61,4				27 400	27 000	25 800	102,0
106,0	27,4	53,9				24 600	24 300	23 300	106,0
110,0	22,5	44,7				22 000	21 700	20 900	110,0

MLC650 VPC-MAX S-2



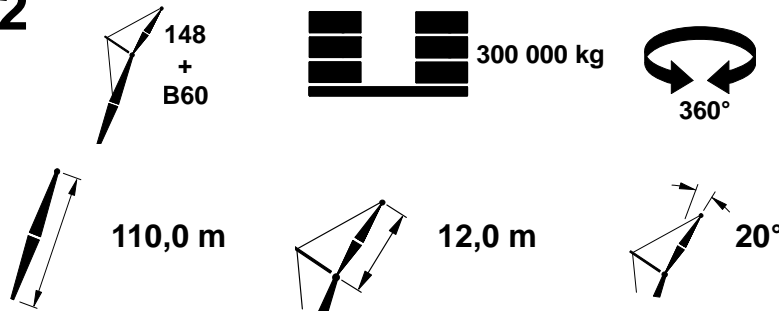
m	°	m	11,8 m			18,3 m			m
			0° kg	1° kg	2° kg	0° kg	1° kg	2° kg	
19,8									19,8
20,0									20,0
22,0	82,2	117,0	63 600			63 600			22,0
24,0	81,2	116,6	63 400			63 400			24,0
26,0	80,2	116,2	62 200			62 200			26,0
28,0	79,2	115,7	60 400			60 400			28,0
30,0	78,2	115,2	58 600			58 600			30,0
32,0	77,1	114,7	57 000			57 000			32,0
34,0	76,1	114,1	55 500			55 500			34,0
36,0	75,1	113,5	54 100			54 100			36,0
38,0	74,0	112,9	52 700			52 700			38,0
40,0	73,0	112,2	51 400			51 400			40,0
42,0	71,9	111,5	50 200			50 200			42,0
44,0	70,9	110,7	49 100			49 100			44,0
46,0	69,8	109,9	48 000			48 000			46,0
48,0	68,7	109,0	46 900			46 900			48,0
50,0	67,6	108,1	46 000			46 000			50,0
52,0	66,5	107,2	45 000			45 000			52,0
54,0	65,4	106,2	44 100			44 100			54,0
56,0	64,3	105,2	43 200			43 200			56,0
58,0	63,2	104,1	42 400			42 400			58,0
60,0	62,0	102,9	40 300			41 700			60,0
62,0	60,9	101,7	37 100			40 900			62,0
64,0	59,7	100,5	34 000			40 200			64,0
66,0	58,5	99,1	31 200			39 500			66,0
68,0	57,3	97,8	28 500			38 800			68,0
70,0	56,1	96,3	25 900			38 200			70,0
74,0	53,6	93,3	21 200			37 000			74,0
78,0	51,0	89,9	17 000			36 000			78,0
82,0	48,3	86,2	13 200			35 000			82,0
86,0	45,5	82,1	9 700			34 100			86,0
90,0	42,5	77,6	6 600			33 200			90,0
94,0	39,3	72,6	3 600			32 500			94,0
98,0	35,9	66,9				30 600			98,0
102,0	32,1	60,4				27 600			102,0
106,0	27,8	52,8				24 700			106,0
110,0									110,0

MLC650 VPC-MAX S-2



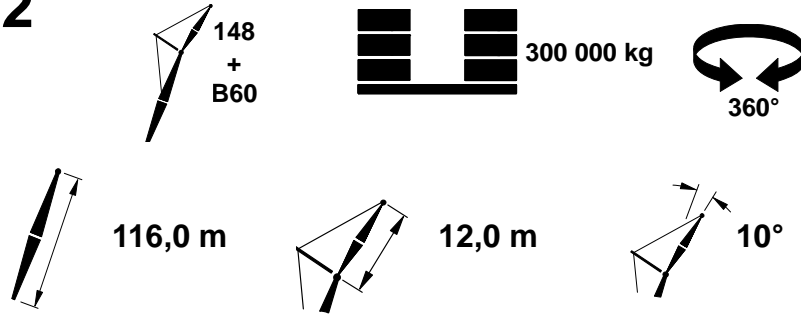
m	°	m	11,8 m			18,3 m			m
			0°	1°	2°	0°	1°	2°	
			kg	kg	kg	kg	kg	kg	
19,8	82,8	123,9	65 000			65 000			19,8
20,0	82,7	123,9	65 000			65 000			20,0
22,0	81,8	123,6	65 000			65 000			22,0
24,0	80,8	123,2	65 000	58 200		65 000	58 200		24,0
26,0	79,9	122,8	65 000	58 100	52 400	65 000	58 100	52 400	26,0
28,0	78,9	122,4	64 900	57 900	52 400	64 900	57 900	52 400	28,0
30,0	77,9	121,9	64 800	57 700	52 200	64 800	57 700	52 200	30,0
32,0	77,0	121,4	64 600	57 600	52 200	64 600	57 600	52 200	32,0
34,0	76,0	120,9	64 400	57 500	52 100	64 400	57 500	52 100	34,0
36,0	75,0	120,3	64 200	57 400	52 000	64 200	57 400	52 000	36,0
38,0	74,0	119,7	64 100	57 300	51 900	64 100	57 300	51 900	38,0
40,0	73,1	119,1	63 900	57 200	51 900	63 900	57 200	51 900	40,0
42,0	72,1	118,4	63 600	57 000	51 600	63 600	57 000	51 600	42,0
44,0	71,1	117,7	63 000	56 600	51 200	63 000	56 600	51 200	44,0
46,0	70,1	116,9	62 200	56 100	50 900	62 200	56 100	50 900	46,0
48,0	69,1	116,1	60 600	55 200	50 400	61 100	55 600	50 500	48,0
50,0	68,0	115,3	56 500	51 900	47 600	59 400	55 100	50 100	50,0
52,0	67,0	114,4	51 900	47 600	43 700	57 800	54 500	49 800	52,0
54,0	66,0	113,5	47 600	43 700	40 100	56 300	54 000	49 400	54,0
56,0	64,9	112,5	43 700	40 100	36 700	54 900	53 500	49 000	56,0
58,0	63,9	111,5	40 000	36 700	33 600	53 500	53 000	48 700	58,0
60,0	62,8	110,4	36 600	33 500	30 600	52 200	51 800	48 300	60,0
62,0	61,7	109,3	33 400	30 600	27 900	51 000	50 600	48 000	62,0
64,0	60,7	108,1	30 400	27 800	25 300	49 800	49 400	47 700	64,0
66,0	59,6	106,9	27 600	25 100	22 800	48 700	48 400	47 400	66,0
68,0	58,4	105,6	25 000	22 700	20 500	47 700	47 300	46 900	68,0
70,0	57,3	104,3	22 500	20 300	18 300	46 700	46 300	46 000	70,0
74,0	55,0	101,5	17 900	16 000	14 200	44 800	44 500	44 200	74,0
78,0	52,7	98,4	13 800	12 200	10 600	43 100	42 800	42 600	78,0
82,0	50,2	95,0	10 100	8 600	7 300	41 500	41 200	40 300	82,0
86,0	47,7	91,4	6 700	5 400	4 200	39 000	38 500	36 500	86,0
90,0	45,0	87,4				35 200	34 700	32 900	90,0
94,0	42,2	83,0				31 700	31 200	29 700	94,0
98,0	39,3	78,1				28 500	28 100	26 700	98,0
102,0	36,1	72,6				25 600	25 100	23 900	102,0
106,0	32,6	66,5				22 800	22 400	21 300	106,0
110,0	28,8	59,3				20 200	19 900	18 900	110,0
114,0	24,4	50,8				17 800	17 500	16 700	114,0
118,0	19,0	40,0				15 600	15 300	14 600	118,0

MLC650 VPC-MAX S-2



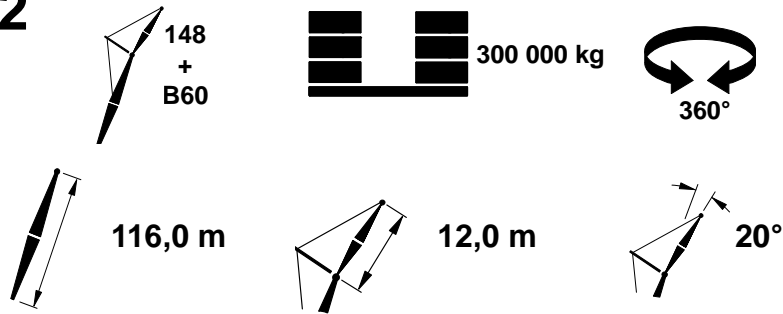
m	°	m	11,8 m			18,3 m			m
			0° kg	1° kg	2° kg	0° kg	1° kg	2° kg	
19,8									19,8
20,0									20,0
22,0	82,6	123,0	63 200			63 200			22,0
24,0	81,6	122,7	63 000			63 000			24,0
26,0	80,7	122,3	62 600			62 600			26,0
28,0	79,7	121,9	61 100	56 300	51 000	61 100	56 300	51 000	28,0
30,0	78,8	121,4	59 400	55 300	50 300	59 400	55 300	50 300	30,0
32,0	77,8	120,9	57 800	54 900	50 000	57 800	54 900	50 000	32,0
34,0	76,8	120,4	56 300	54 400	49 600	56 300	54 400	49 600	34,0
36,0	75,8	119,8	54 900	53 900	49 300	54 900	53 900	49 300	36,0
38,0	74,8	119,2	53 500	53 300	49 000	53 500	53 300	49 000	38,0
40,0	73,9	118,5	52 200	52 100	48 700	52 200	52 100	48 700	40,0
42,0	72,9	117,9	51 000	50 800	48 400	51 000	50 800	48 400	42,0
44,0	71,9	117,1	49 900	49 700	48 000	49 900	49 700	48 000	44,0
46,0	70,9	116,4	48 800	48 600	47 700	48 800	48 600	47 700	46,0
48,0	69,8	115,6	47 700	47 600	47 200	47 700	47 600	47 200	48,0
50,0	68,8	114,7	46 800	46 600	46 200	46 800	46 600	46 200	50,0
52,0	67,8	113,8	45 800	45 700	45 100	45 800	45 700	45 300	52,0
54,0	66,7	112,9	44 900	44 400	41 600	44 900	44 800	44 500	54,0
56,0	65,7	111,9	44 100	41 600	38 200	44 100	43 900	43 600	56,0
58,0	64,6	110,9	41 500	38 100	35 000	43 200	43 100	42 800	58,0
60,0	63,6	109,8	38 000	34 900	31 900	42 400	42 300	42 100	60,0
62,0	62,5	108,7	34 800	31 800	29 100	41 700	41 600	41 300	62,0
64,0	61,4	107,5	31 700	29 000	26 400	41 000	40 800	40 600	64,0
66,0	60,3	106,3	28 800	26 300	23 900	40 300	40 200	40 000	66,0
68,0	59,2	105,0	26 100	23 800	21 600	39 600	39 500	39 400	68,0
70,0	58,0	103,7	23 600	21 400	19 300	39 000	38 900	38 700	70,0
74,0	55,7	100,8	18 900	17 000	15 200	37 800	37 700	37 600	74,0
78,0	53,3	97,7	14 700	13 000	11 400	36 700	36 600	36 500	78,0
82,0	50,9	94,4	10 900	9 400	8 000	35 700	35 600	35 500	82,0
86,0	48,3	90,7	7 400	6 100	4 900	34 800	34 700	34 600	86,0
90,0	45,6	86,6	4 300			33 900	33 900	33 400	90,0
94,0	42,8	82,2				32 100	31 600	30 000	94,0
98,0	39,8	77,2				28 900	28 400	27 000	98,0
102,0	36,6	71,7				25 800	25 400	24 200	102,0
106,0	33,1	65,5				23 000	22 700	21 500	106,0
110,0	29,2	58,2				20 400	20 100	19 100	110,0
114,0									114,0
118,0									118,0

MLC650 VPC-MAX S-2



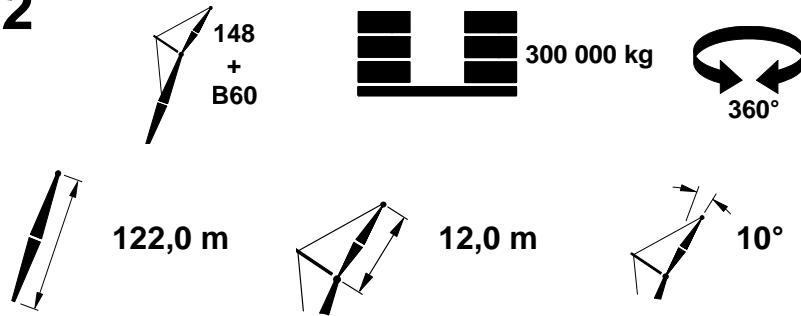
m	°	m	11,8 m			18,3 m			m
			0°	1°	2°	0°	1°	2°	
			kg	kg	kg	kg	kg	kg	
21,3	82,5	129,7	65 000			65 000			21,3
22,0	82,2	129,7	65 000			65 000			22,0
24,0	81,2	129,3	64 900	57 500		64 900	57 500		24,0
26,0	80,3	128,9	64 700	57 400	51 700	64 700	57 400	51 700	26,0
28,0	79,4	128,5	64 400	57 200	51 600	64 400	57 200	51 600	28,0
30,0	78,5	128,1	64 200	57 100	51 500	64 200	57 100	51 500	30,0
32,0	77,6	127,6	64 000	57 000	51 500	64 000	57 000	51 500	32,0
34,0	76,7	127,1	63 900	56 800	51 400	63 900	56 800	51 400	34,0
36,0	75,7	126,6	63 700	56 700	51 300	63 700	56 700	51 300	36,0
38,0	74,8	126,0	63 500	56 600	51 200	63 500	56 600	51 200	38,0
40,0	73,9	125,4	63 300	56 500	51 200	63 300	56 500	51 200	40,0
42,0	72,9	124,7	63 200	56 400	51 100	63 200	56 400	51 100	42,0
44,0	72,0	124,1	63 000	56 300	51 000	63 000	56 300	51 000	44,0
46,0	71,0	123,3	62 400	56 000	50 600	62 400	56 000	50 600	46,0
48,0	70,1	122,6	60 700	55 000	50 000	61 700	55 600	50 300	48,0
50,0	69,1	121,8	56 400	51 500	47 000	60 800	55 100	50 000	50,0
52,0	68,2	120,9	51 800	47 300	43 200	59 200	54 600	49 700	52,0
54,0	67,2	120,1	47 500	43 400	39 600	57 700	54 100	49 300	54,0
56,0	66,2	119,1	43 600	39 800	36 200	56 300	53 700	49 000	56,0
58,0	65,2	118,2	39 900	36 400	33 100	54 900	53 200	48 700	58,0
60,0	64,2	117,2	36 500	33 200	30 200	53 600	52 800	48 400	60,0
62,0	63,2	116,1	33 300	30 300	27 400	52 400	51 900	48 100	62,0
64,0	62,2	115,0	30 300	27 500	24 800	51 200	50 800	47 800	64,0
66,0	61,1	113,9	27 500	24 900	22 400	50 000	49 700	47 500	66,0
68,0	60,1	112,7	24 900	22 400	20 100	49 000	48 600	47 200	68,0
70,0	59,1	111,5	22 400	20 100	17 900	48 000	47 600	46 900	70,0
74,0	56,9	108,8	17 800	15 800	13 900	46 100	45 700	45 400	74,0
78,0	54,7	106,0	13 700	11 900	10 200	44 300	44 000	43 700	78,0
82,0	52,5	102,9	10 000	8 400	6 900	42 700	42 200	40 000	82,0
86,0	50,1	99,5	6 700	5 300	3 900	38 900	38 300	36 100	86,0
90,0	47,7	95,9				35 100	34 500	32 600	90,0
94,0	45,2	91,9				31 600	31 100	29 400	94,0
98,0	42,5	87,5				28 400	27 900	26 400	98,0
102,0	39,7	82,7				25 400	25 000	23 600	102,0
106,0	36,8	77,4				22 700	22 300	21 100	106,0
110,0	33,5	71,4				20 200	19 800	18 700	110,0
114,0	30,0	64,6				17 800	17 500	16 500	114,0
118,0	26,0	56,6				15 600	15 300	14 400	118,0
122,0	21,3	46,9				13 500	13 200	12 500	122,0

MLC650 VPC-MAX S-2



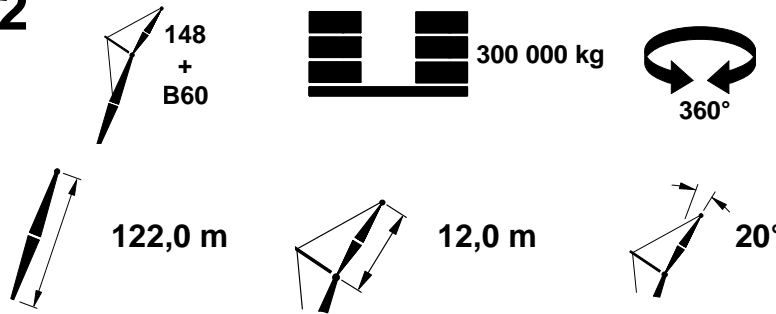
m	°	m	11,8 m			18,3 m			m
			0° kg	1° kg	2° kg	0° kg	1° kg	2° kg	
21,3									21,3
22,0									22,0
24,0	82,0	128,8	62 500			62 500			24,0
26,0	81,1	128,4	62 400			62 400			26,0
28,0	80,2	128,0	61 700			61 700			28,0
30,0	79,3	127,6	60 200			60 200			30,0
32,0	78,4	127,1	58 600			58 600			32,0
34,0	77,4	126,6	57 100			57 100			34,0
36,0	76,5	126,0	55 700			55 700			36,0
38,0	75,6	125,5	54 400			54 400			38,0
40,0	74,6	124,8	53 100			53 100			40,0
42,0	73,7	124,2	51 900			51 900			42,0
44,0	72,8	123,5	50 700			50 700			44,0
46,0	71,8	122,8	49 700			49 700			46,0
48,0	70,8	122,0	48 600			48 600			48,0
50,0	69,9	121,2	47 600			47 600			50,0
52,0	68,9	120,4	46 700			46 700			52,0
54,0	67,9	119,5	45 800			45 800			54,0
56,0	66,9	118,6	44 700			44 900			56,0
58,0	65,9	117,6	41 400			44 100			58,0
60,0	64,9	116,6	37 900			43 300			60,0
62,0	63,9	115,6	34 700			42 500			62,0
64,0	62,9	114,5	31 600			41 800			64,0
66,0	61,9	113,3	28 700			41 100			66,0
68,0	60,8	112,1	26 000			40 500			68,0
70,0	59,7	110,9	23 500			39 800			70,0
74,0	57,6	108,2	18 800			38 600			74,0
78,0	55,4	105,3	14 600			37 500			78,0
82,0	53,1	102,2	10 800			36 500			82,0
86,0	50,8	98,8	7 400			35 600			86,0
90,0	48,3	95,2	4 200			34 700			90,0
94,0	45,8	91,1				32 000			94,0
98,0	43,1	86,7				28 800			98,0
102,0	40,3	81,9				25 800			102,0
106,0	37,3	76,5				23 000			106,0
110,0	34,0	70,4				20 400			110,0
114,0	30,4	63,5				18 000			114,0
118,0									118,0
122,0									122,0

MLC650 VPC-MAX S-2



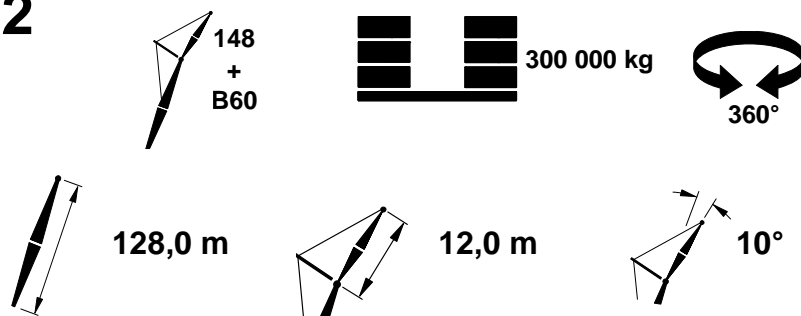
m	°	m	11,8 m			18,3 m			m
			0°	1°	2°	0°	1°	2°	
			kg	kg	kg	kg	kg	kg	
21,3	82,8	135,8	64 600			64 600			21,3
22,0	82,5	135,7	64 500			64 500			22,0
24,0	81,6	135,4	64 300			64 300			24,0
26,0	80,8	135,0	64 100	56 600	47 000	64 100	56 600	47 000	26,0
28,0	79,9	134,7	63 900	56 500	47 000	63 900	56 500	47 000	28,0
30,0	79,0	134,2	63 700	56 400	47 000	63 700	56 400	47 000	30,0
32,0	78,2	133,8	63 500	56 200	47 000	63 500	56 200	47 000	32,0
34,0	77,3	133,3	63 300	56 100	47 000	63 300	56 100	47 000	34,0
36,0	76,4	132,8	63 200	56 000	47 000	63 200	56 000	47 000	36,0
38,0	75,5	132,2	63 000	55 900	47 000	63 000	55 900	47 000	38,0
40,0	74,6	131,7	62 800	55 800	47 000	62 800	55 800	47 000	40,0
42,0	73,7	131,1	62 700	55 800	47 000	62 700	55 800	47 000	42,0
44,0	72,8	130,4	62 600	55 700	47 000	62 600	55 700	47 000	44,0
46,0	71,9	129,7	62 200	55 600	47 000	62 400	55 600	47 000	46,0
48,0	71,0	129,0	59 100	53 500	46 900	61 900	55 400	47 000	48,0
50,0	70,1	128,2	54 100	49 000	44 300	61 300	55 000	47 000	50,0
52,0	69,2	127,4	49 500	44 800	40 400	60 600	54 600	47 000	52,0
54,0	68,3	126,6	45 200	40 900	36 900	59 400	54 100	46 900	54,0
56,0	67,3	125,7	41 300	37 300	33 500	57 900	53 700	46 900	56,0
58,0	66,4	124,8	37 600	33 900	30 400	56 500	53 200	46 800	58,0
60,0	65,4	123,9	34 200	30 700	27 500	55 200	52 800	46 700	60,0
62,0	64,5	122,9	31 000	27 800	24 800	53 900	52 400	46 600	62,0
64,0	63,5	121,9	28 000	25 000	22 200	52 700	52 000	46 600	64,0
66,0	62,6	120,8	25 200	22 400	19 800	51 600	51 200	46 500	66,0
68,0	61,6	119,7	22 500	19 900	17 500	50 500	50 100	46 400	68,0
70,0	60,6	118,5	20 000	17 600	15 300	49 500	49 100	46 400	70,0
74,0	58,6	116,0	15 500	13 300	11 300	47 500	47 200	46 200	74,0
78,0	56,5	113,4	11 400	9 400	7 600	45 600	45 000	42 200	78,0
82,0	54,4	110,5	7 600	6 000	4 400	41 200	40 500	38 000	82,0
86,0	52,3	107,4	4 300			37 000	36 400	34 100	86,0
90,0	50,0	104,0				33 200	32 600	30 600	90,0
94,0	47,7	100,3				29 700	29 200	27 400	94,0
98,0	45,3	96,4				26 500	26 000	24 400	98,0
102,0	42,8	92,1				23 600	23 100	21 600	102,0
106,0	40,2	87,3				20 900	20 400	19 100	106,0
110,0	37,3	82,1				18 300	17 900	16 700	110,0
114,0	34,3	76,3				16 000	15 600	14 500	114,0
118,0	31,1	69,7				13 800	13 400	12 500	118,0
122,0	27,4	62,2				11 700	11 400	10 500	122,0
126,0	23,2	53,2				9 700	9 400	8 700	126,0

MLC650 VPC-MAX S-2



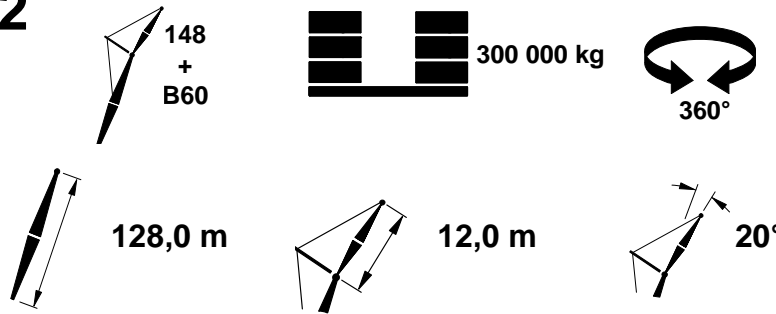
m	°	m	11,8 m			18,3 m			m
			0° kg	1° kg	2° kg	0° kg	1° kg	2° kg	
21,3									21,3
22,0									22,0
24,0	82,4	134,9	61 900			61 900			24,0
26,0	81,5	134,5	61 800			61 800			26,0
28,0	80,7	134,1	61 600			61 600			28,0
30,0	79,8	133,7	60 900			60 900			30,0
32,0	78,9	133,3	59 500			59 500			32,0
34,0	78,0	132,8	58 000			58 000			34,0
36,0	77,1	132,3	56 600			56 600			36,0
38,0	76,3	131,7	55 300			55 300			38,0
40,0	75,4	131,1	54 000			54 000			40,0
42,0	74,5	130,5	52 800			52 800			42,0
44,0	73,6	129,9	51 700			51 700			44,0
46,0	72,7	129,2	50 600			50 600			46,0
48,0	71,7	128,4	49 600			49 600			48,0
50,0	70,8	127,7	48 600			48 600			50,0
52,0	69,9	126,9	47 600			47 600			52,0
54,0	69,0	126,1	46 200			46 700			54,0
56,0	68,0	125,2	42 900			45 900			56,0
58,0	67,1	124,3	39 200			45 100			58,0
60,0	66,1	123,3	35 700			44 200			60,0
62,0	65,2	122,3	32 400			43 500			62,0
64,0	64,2	121,3	29 400			42 800			64,0
66,0	63,2	120,2	26 500			42 100			66,0
68,0	62,3	119,1	23 800			41 400			68,0
70,0	61,3	117,9	21 200			40 800			70,0
74,0	59,3	115,4	16 600			39 500			74,0
78,0	57,2	112,7	12 300			38 400			78,0
82,0	55,1	109,8	8 600			37 400			82,0
86,0	52,9	106,7	5 100			36 400			86,0
90,0	50,6	103,3				33 700			90,0
94,0	48,3	99,6				30 200			94,0
98,0	45,9	95,6				27 000			98,0
102,0	43,4	91,3				24 000			102,0
106,0	40,7	86,5				21 200			106,0
110,0	37,8	81,2				18 600			110,0
114,0	34,8	75,3				16 200			114,0
118,0	31,5	68,7				13 900			118,0
122,0	27,8	61,0				11 800			122,0
126,0									126,0

MLC650 VPC-MAX S-2



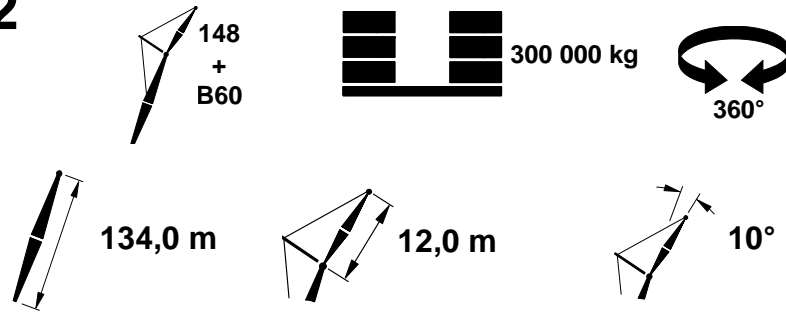
m	°	m	11,8 m			18,3 m			m
			0°	1°	2°	0°	1°	2°	
			kg	kg	kg	kg	kg	kg	
22,9	82,5	141,6	63 600			63 600			22,9
24,0	82,0	141,5	63 500			63 500			24,0
26,0	81,2	141,1	63 300	55 500		63 300	55 500		26,0
28,0	80,3	140,7	63 100	55 500	38 200	63 100	55 500	38 200	28,0
30,0	79,5	140,3	62 900	55 500	38 200	62 900	55 500	38 200	30,0
32,0	78,7	139,9	62 800	55 400	38 200	62 800	55 400	38 200	32,0
34,0	77,8	139,5	62 600	55 300	38 200	62 600	55 300	38 200	34,0
36,0	77,0	139,0	62 400	55 200	38 200	62 400	55 200	38 200	36,0
38,0	76,1	138,4	62 300	55 100	38 200	62 300	55 100	38 200	38,0
40,0	75,3	137,9	62 100	55 000	38 200	62 100	55 000	38 200	40,0
42,0	74,4	137,3	62 000	54 900	38 200	62 000	54 900	38 200	42,0
44,0	73,6	136,7	61 900	54 900	38 200	61 900	54 900	38 200	44,0
46,0	72,7	136,0	61 600	54 800	38 200	61 600	54 800	38 200	46,0
48,0	71,9	135,3	58 800	53 000	38 200	61 600	54 700	38 200	48,0
50,0	71,0	134,6	53 800	48 400	38 200	61 200	54 500	38 200	50,0
52,0	70,1	133,9	49 200	44 200	38 000	60 700	54 200	38 100	52,0
54,0	69,2	133,1	44 900	40 400	36 200	60 100	53 800	38 000	54,0
56,0	68,4	132,3	41 000	36 700	32 900	59 300	53 400	38 000	56,0
58,0	67,5	131,4	37 300	33 400	29 800	58 000	53 100	37 900	58,0
60,0	66,6	130,5	33 900	30 200	26 900	56 700	52 700	37 800	60,0
62,0	65,7	129,6	30 700	27 300	24 100	55 400	52 300	37 700	62,0
64,0	64,8	128,6	27 700	24 500	21 600	54 200	51 900	37 600	64,0
66,0	63,8	127,6	24 900	21 900	19 200	53 100	51 600	37 500	66,0
68,0	62,9	126,5	22 200	19 400	16 900	52 000	51 300	37 500	68,0
70,0	62,0	125,4	19 700	17 100	14 700	50 900	50 500	37 400	70,0
74,0	60,1	123,1	15 100	12 900	10 700	48 900	48 500	37 200	74,0
78,0	58,2	120,6	11 000	9 000	7 100	45 400	44 600	37 100	78,0
82,0	56,2	117,9	7 300	5 500	3 800	40 800	40 100	37 000	82,0
86,0	54,2	115,0	4 000			36 600	36 000	33 600	86,0
90,0	52,1	111,8				32 800	32 200	30 100	90,0
94,0	49,9	108,4				29 400	28 800	26 900	94,0
98,0	47,7	104,8				26 200	25 700	23 900	98,0
102,0	45,4	100,8				23 200	22 800	21 200	102,0
106,0	43,0	96,5				20 500	20 100	18 700	106,0
110,0	40,5	91,9				18 000	17 600	16 300	110,0
114,0	37,9	86,7				15 700	15 300	14 100	114,0
118,0	35,0	81,1				13 500	13 100	12 000	118,0
122,0	32,0	74,7				11 400	11 100	10 100	122,0
126,0	28,6	67,5				9 500	9 200	8 300	126,0
130,0	24,8	59,1				7 600	7 400	6 600	130,0
134,0	20,3	48,9				5 700	5 600	5 000	134,0

MLC650 VPC-MAX S-2



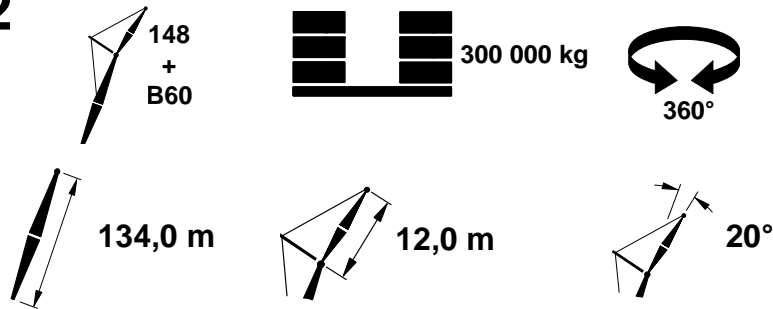
m	°	m	11,8 m			18,3 m			m
			0° kg	1° kg	2° kg	0° kg	1° kg	2° kg	
22,9									22,9
24,0									24,0
26,0	81,9	140,6	61 100	54 100		61 100	54 100		26,0
28,0	81,1	140,2	61 000	54 100		61 000	54 100		28,0
30,0	80,2	139,8	60 600	54 000	37 600	60 600	54 000	37 600	30,0
32,0	79,4	139,4	60 100	53 700	37 600	60 100	53 700	37 600	32,0
34,0	78,5	138,9	58 800	53 300	37 600	58 800	53 300	37 600	34,0
36,0	77,7	138,4	57 400	53 000	37 600	57 400	53 000	37 600	36,0
38,0	76,9	137,9	56 100	52 600	37 600	56 100	52 600	37 600	38,0
40,0	76,0	137,3	54 900	52 300	37 600	54 900	52 300	37 600	40,0
42,0	75,1	136,8	53 700	51 900	37 600	53 700	51 900	37 600	42,0
44,0	74,3	136,1	52 600	51 600	37 500	52 600	51 600	37 500	44,0
46,0	73,4	135,5	51 500	51 200	37 500	51 500	51 200	37 500	46,0
48,0	72,6	134,8	50 500	50 200	37 500	50 500	50 200	37 500	48,0
50,0	71,7	134,1	49 500	49 300	37 400	49 500	49 300	37 400	50,0
52,0	70,8	133,3	48 500	46 000	37 300	48 500	48 300	37 300	52,0
54,0	69,9	132,5	46 600	42 100	36 900	47 600	47 400	37 200	54,0
56,0	69,0	131,7	42 700	38 400	34 400	46 800	46 600	37 200	56,0
58,0	68,1	130,8	38 900	34 900	31 300	45 900	45 800	37 100	58,0
60,0	67,2	129,9	35 400	31 700	28 300	45 100	45 000	37 000	60,0
62,0	66,3	129,0	32 200	28 700	25 500	44 400	44 200	37 000	62,0
64,0	65,4	128,0	29 100	25 900	22 900	43 700	43 500	36 900	64,0
66,0	64,5	127,0	26 200	23 200	20 400	42 900	42 800	36 900	66,0
68,0	63,6	125,9	23 500	20 700	18 100	42 300	42 100	36 800	68,0
70,0	62,6	124,8	21 000	18 300	15 900	41 600	41 500	36 800	70,0
74,0	60,7	122,5	16 300	13 900	11 800	40 400	40 300	36 600	74,0
78,0	58,8	120,0	12 100	10 000	8 100	39 300	39 100	36 500	78,0
82,0	56,8	117,2	8 300	6 400	4 700	38 200	38 100	36 400	82,0
86,0	54,8	114,3	4 800			37 000	36 600	34 200	86,0
90,0	52,7	111,1				33 400	32 800	30 700	90,0
94,0	50,5	107,7				29 900	29 300	27 400	94,0
98,0	48,3	104,1				26 700	26 200	24 400	98,0
102,0	46,0	100,1				23 700	23 200	21 600	102,0
106,0	43,6	95,8				20 900	20 500	19 000	106,0
110,0	41,0	91,0				18 400	17 900	16 600	110,0
114,0	38,3	85,9				16 000	15 600	14 400	114,0
118,0	35,5	80,1				13 700	13 400	12 300	118,0
122,0	32,4	73,7				11 600	11 300	10 300	122,0
126,0	28,9	66,4				9 600	9 300	8 500	126,0
130,0									130,0
134,0									134,0

MLC650 VPC-MAX S-2



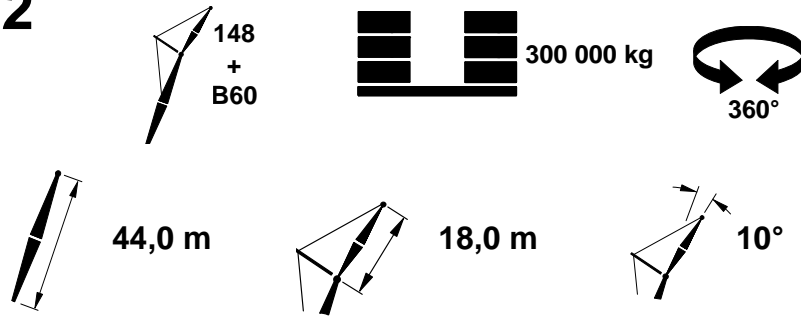
m	°	m	11,8 m		18,3 m		m
			0°	1°	0°	1°	
			kg	kg	kg	kg	
22,9	82,8	147,7	62 800		62 800		22,9
24,0	82,3	147,5	62 700		62 700		24,0
26,0	81,5	147,2	62 500	46 400	62 500	46 400	26,0
28,0	80,7	146,9	62 300	46 400	62 300	46 400	28,0
30,0	79,9	146,5	62 100	46 400	62 100	46 400	30,0
32,0	79,1	146,1	62 000	46 400	62 000	46 400	32,0
34,0	78,3	145,6	61 800	46 400	61 800	46 400	34,0
36,0	77,5	145,2	61 600	46 400	61 600	46 400	36,0
38,0	76,7	144,7	61 500	46 400	61 500	46 400	38,0
40,0	75,9	144,1	61 400	46 400	61 400	46 400	40,0
42,0	75,1	143,6	61 200	46 400	61 200	46 400	42,0
44,0	74,3	143,0	61 100	46 400	61 100	46 400	44,0
46,0	73,5	142,3	60 500	46 400	61 000	46 400	46,0
48,0	72,6	141,7	56 600	46 400	60 900	46 400	48,0
50,0	71,8	141,0	51 500	45 500	60 800	46 300	50,0
52,0	71,0	140,3	46 900	41 700	60 500	46 300	52,0
54,0	70,1	139,5	42 600	37 800	60 000	46 200	54,0
56,0	69,3	138,7	38 700	34 200	59 500	46 100	56,0
58,0	68,4	137,9	35 000	30 900	59 000	46 000	58,0
60,0	67,6	137,1	31 500	27 700	57 200	45 900	60,0
62,0	66,7	136,2	28 300	24 800	55 100	45 800	62,0
64,0	65,9	135,3	25 300	22 000	55 100	45 700	64,0
66,0	65,0	134,3	22 500	19 400	54 400	45 600	66,0
68,0	64,1	133,3	19 900	17 000	53 300	45 500	68,0
70,0	63,2	132,2	17 400	14 600	52 200	45 500	70,0
74,0	61,5	130,0	12 800	10 400	48 600	45 300	74,0
78,0	59,6	127,7	8 700	6 500	43 500	42 700	78,0
82,0	57,8	125,1	5 000		38 900	38 200	82,0
86,0	55,9	122,4			34 800	34 100	86,0
90,0	53,9	119,5			31 000	30 400	90,0
94,0	51,9	116,3			27 500	26 900	94,0
98,0	49,9	112,9			24 300	23 800	98,0
102,0	47,8	109,3			21 400	20 900	102,0
106,0	45,6	105,3			18 700	18 200	106,0
110,0	43,3	101,1			16 200	15 700	110,0
114,0	40,9	96,5			13 800	13 400	114,0
118,0	38,3	91,4			11 600	11 300	118,0
122,0	35,7	85,9			9 600	9 200	122,0
126,0	32,8	79,7			7 700	7 300	126,0
130,0	29,7	72,8			5 500	5 500	130,0
134,0	26,2	64,9			3 300	3 800	134,0

MLC650 VPC-MAX S-2



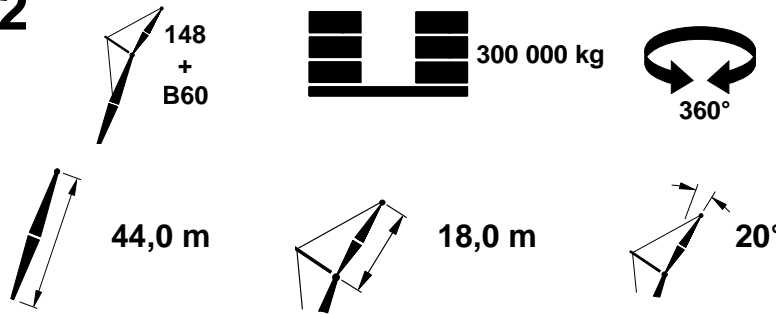
m	°	m	11,8 m		18,3 m		m
			0° kg	1° kg	0° kg	1° kg	
22,9							22,9
24,0							24,0
26,0	82,2	146,7	60 200		60 200		26,0
28,0	81,4	146,3	60 100	45 700	60 100	45 700	28,0
30,0	80,6	145,9	60 100	45 700	60 100	45 700	30,0
32,0	79,8	145,5	59 700	45 700	59 700	45 700	32,0
34,0	79,0	145,1	59 200	45 700	59 200	45 700	34,0
36,0	78,2	144,6	58 100	45 700	58 100	45 700	36,0
38,0	77,4	144,1	56 800	45 700	56 800	45 700	38,0
40,0	76,6	143,6	55 600	45 700	55 600	45 700	40,0
42,0	75,8	143,0	54 400	45 700	54 400	45 700	42,0
44,0	75,0	142,4	53 300	45 700	53 300	45 700	44,0
46,0	74,1	141,8	52 300	45 600	52 300	45 600	46,0
48,0	73,3	141,1	51 200	45 600	51 200	45 600	48,0
50,0	72,5	140,5	50 300	45 500	50 300	45 500	50,0
52,0	71,6	139,7	48 900	43 600	49 300	45 500	52,0
54,0	70,8	139,0	44 500	39 600	48 400	45 400	54,0
56,0	70,0	138,2	40 500	35 900	47 600	45 300	56,0
58,0	69,1	137,4	36 700	32 500	46 700	45 200	58,0
60,0	68,2	136,5	33 200	29 300	46 000	45 100	60,0
62,0	67,4	135,6	29 900	26 300	45 200	44 900	62,0
64,0	66,5	134,7	26 800	23 400	44 500	44 300	64,0
66,0	65,6	133,7	23 900	20 800	43 800	43 600	66,0
68,0	64,8	132,7	21 200	18 300	43 100	42 900	68,0
70,0	63,9	131,7	18 700	15 900	42 400	42 300	70,0
74,0	62,1	129,4	14 000	11 500	41 200	41 100	74,0
78,0	60,2	127,1	9 800	7 600	40 100	39 900	78,0
82,0	58,4	124,5	6 000	4 000	39 000	38 700	82,0
86,0	56,5	121,8			35 400	34 800	86,0
90,0	54,5	118,8			31 600	31 000	90,0
94,0	52,5	115,6			28 100	27 500	94,0
98,0	50,4	112,2			24 900	24 300	98,0
102,0	48,3	108,5			21 900	21 400	102,0
106,0	46,1	104,6			19 100	18 700	106,0
110,0	43,8	100,3			16 600	16 100	110,0
114,0	41,4	95,6			14 200	13 800	114,0
118,0	38,8	90,5			11 900	11 600	118,0
122,0	36,1	84,9			9 800	9 500	122,0
126,0	33,2	78,7			7 900	7 500	126,0
130,0	30,0	71,7			5 700	5 700	130,0
134,0	26,5	63,6			3 500	3 900	134,0

MLC650 VPC-MAX S-2



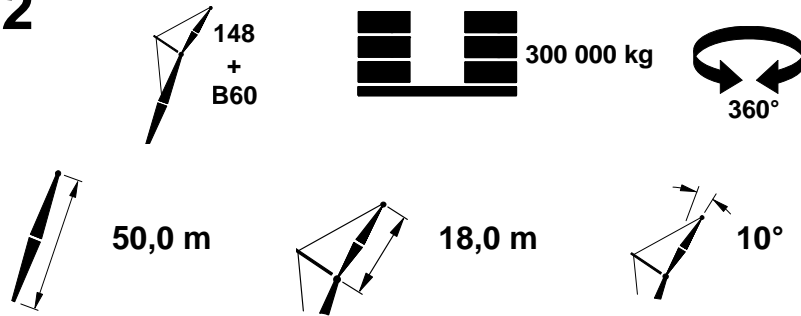
m	°	m	11,8 m			18,3 m			m
			0°	1°	2°	0°	1°	2°	
			kg	kg	kg	kg	kg	kg	
13,7	82,9	64,0	51 600c			51 600c			13,7
14,0	82,7	64,0	51 300c			51 300c			14,0
16,0	80,8	63,5	49 400b	43 500b		49 400b	43 500b		16,0
18,0	78,9	63,0	47 700	42 200	37 900b	47 700	42 200	37 900b	18,0
20,0	77,0	62,4	46 100	41 000	36 900	46 100	41 000	36 900	20,0
22,0	75,0	61,8	44 600	39 800	36 000	44 600	39 800	36 000	22,0
24,0	73,0	61,0	43 300	38 700	35 100	43 300	38 700	35 100	24,0
26,0	71,1	60,2	41 900	37 700	34 300	41 900	37 700	34 300	26,0
28,0	69,0	59,3	39 700	36 700	33 500	39 700	36 700	33 500	28,0
30,0	67,0	58,3	37 600	35 900	32 700	37 600	35 900	32 700	30,0
32,0	64,9	57,2	35 700	35 000	32 000	35 700	35 000	32 000	32,0
34,0	62,7	56,1	34 000	33 800	31 400	34 000	33 800	31 400	34,0
36,0	60,5	54,8	32 500	32 300	30 700	32 500	32 300	30 700	36,0
38,0	58,3	53,4	31 100	30 900	30 100	31 100	30 900	30 100	38,0
40,0	56,0	51,9	29 800	29 600	29 400	29 800	29 600	29 400	40,0
42,0	53,6	50,2	28 700	28 500	28 300	28 700	28 500	28 300	42,0
44,0	51,1	48,4	27 600	27 400	27 200	27 600	27 400	27 200	44,0
46,0	48,5	46,5	26 600	26 400	26 300	26 600	26 400	26 300	46,0
48,0	45,8	44,3	25 700	25 500	25 400	25 700	25 500	25 400	48,0
50,0	43,0	42,0	24 900	24 700	24 600	24 900	24 700	24 600	50,0
52,0	39,9	39,3	24 100	24 000	23 800	24 100	24 000	23 800	52,0
54,0	36,6	36,4	23 400	23 300	23 200	23 400	23 300	23 200	54,0
56,0	33,0	33,0	22 800	22 600	22 500	22 800	22 600	22 500	56,0
58,0	28,9	29,0	22 200	22 100	22 000	22 200	22 100	22 000	58,0
60,0	24,0	24,1	21 700	21 600	21 500	21 700	21 600	21 500	60,0

MLC650 VPC-MAX S-2



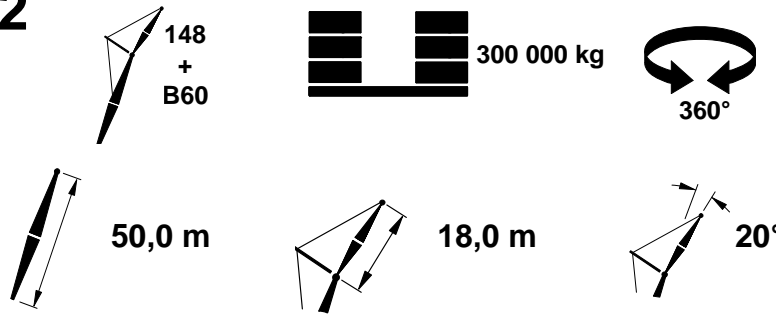
			11,8 m			18,3 m			
			0°	1°	2°	0°	1°	2°	
13,7			39 800b			39 800b			13,7
14,0			37 600b			37 600b			14,0
16,0									16,0
18,0	81,4	62,3							18,0
20,0	79,4	61,8							20,0
22,0	77,5	61,1	35 600			35 600			22,0
24,0	75,5	60,3	33 800			33 800			24,0
26,0	73,4	59,5	32 200			32 200			26,0
28,0	71,4	58,6	30 700			30 700			28,0
30,0	69,3	57,6	29 400			29 400			30,0
32,0	67,2	56,5	28 200			28 200			32,0
34,0	65,0	55,3	27 100			27 100			34,0
36,0	62,8	54,0	26 100			26 100			36,0
38,0	60,5	52,6	25 200			25 200			38,0
40,0	58,2	51,1	24 300			24 300			40,0
42,0	55,7	49,4	23 600			23 600			42,0
44,0	53,2	47,6	22 900			22 900			44,0
46,0	50,6	45,6	22 200			22 200			46,0
48,0	47,8	43,4	21 600			21 600			48,0
50,0	44,9	40,9	21 100			21 100			50,0
52,0	41,7	38,2	20 500			20 500			52,0
54,0	38,3	35,2	20 100			20 100			54,0
56,0	34,5	31,6	19 700			19 700			56,0
58,0									58,0
60,0									60,0

MLC650 VPC-MAX S-2



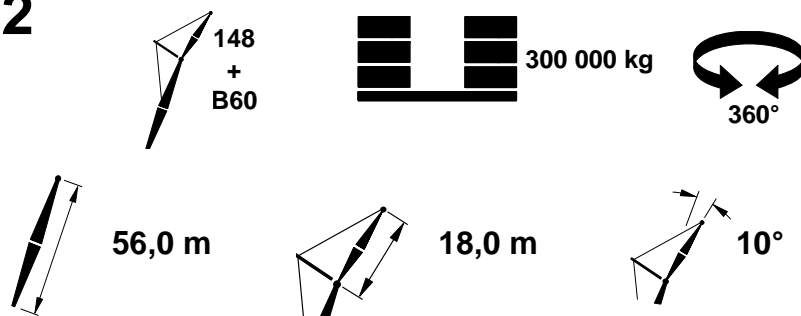
m	°	m	11,8 m			18,3 m			m
			0°	1°	2°	0°	1°	2°	
			kg	kg	kg	kg	kg	kg	
15,2	82,3	69,8	50 800b			50 800b			15,2
16,0	81,6	69,6	50 100b			50 100b			16,0
18,0	79,9	69,2	48 500	42 800	38 300	48 500	42 800	38 300	18,0
20,0	78,1	68,6	47 000	41 600	37 400	47 000	41 600	37 400	20,0
22,0	76,4	68,0	45 600	40 500	36 500	45 600	40 500	36 500	22,0
24,0	74,6	67,4	44 300	39 500	35 700	44 300	39 500	35 700	24,0
26,0	72,8	66,6	43 000	38 500	34 900	43 000	38 500	34 900	26,0
28,0	71,0	65,8	41 700	37 600	34 200	41 700	37 600	34 200	28,0
30,0	69,2	64,9	39 800	36 700	33 400	39 800	36 700	33 400	30,0
32,0	67,3	64,0	37 900	35 900	32 700	37 900	35 900	32 700	32,0
34,0	65,4	62,9	36 200	35 200	32 100	36 200	35 200	32 100	34,0
36,0	63,5	61,8	34 600	34 200	31 500	34 600	34 200	31 500	36,0
38,0	61,5	60,6	33 100	32 900	31 000	33 100	32 900	31 000	38,0
40,0	59,5	59,3	31 800	31 600	30 400	31 800	31 600	30 400	40,0
42,0	57,4	57,8	30 600	30 400	29 900	30 600	30 400	29 900	42,0
44,0	55,3	56,3	29 500	29 300	29 100	29 500	29 300	29 100	44,0
46,0	53,1	54,7	28 400	28 300	28 100	28 400	28 300	28 100	46,0
48,0	50,8	52,9	27 500	27 300	27 100	27 500	27 300	27 100	48,0
50,0	48,5	50,9	26 600	26 400	26 300	26 600	26 400	26 300	50,0
52,0	46,0	48,8	25 800	25 600	25 500	25 800	25 600	25 500	52,0
54,0	43,5	46,5	25 000	24 900	24 700	25 000	24 900	24 700	54,0
56,0	40,7	43,9	24 300	24 100	24 000	24 300	24 100	24 000	56,0
58,0	37,8	41,1	23 600	23 500	23 400	23 600	23 500	23 400	58,0
60,0	34,7	38,0	23 100	22 900	22 800	23 100	22 900	22 800	60,0
62,0	31,2	34,4	22 500	22 400	22 300	22 500	22 400	22 300	62,0
64,0	27,3	30,1	22 000	21 900	21 800	22 000	21 900	21 800	64,0
66,0	22,6	25,0	21 600	21 500	21 400	21 600	21 500	21 400	66,0

MLC650 VPC-MAX S-2



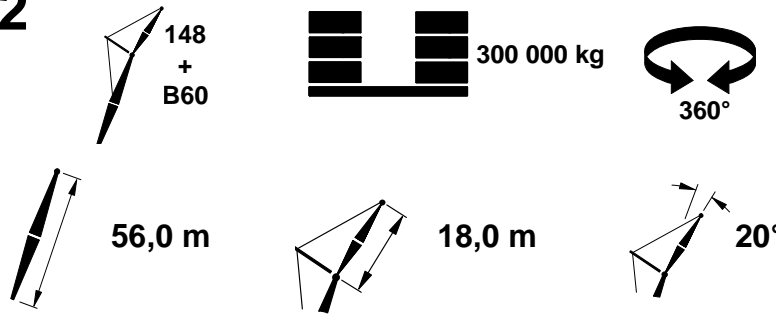
m	°	m	11,8 m			18,3 m			m
			0°	1°	2°	0°	1°	2°	
			kg	kg	kg	kg	kg	kg	
15,2									15,2
16,0									16,0
18,0									18,0
20,0	80,4	67,9	38 600	37 400	34 000 ^b	38 600	37 400	34 000 ^b	20,0
22,0	78,6	67,3	36 700	36 400	33 300	36 700	36 400	33 300	22,0
24,0	76,8	66,7	35 000	34 800	32 700	35 000	34 800	32 700	24,0
26,0	75,0	65,9	33 400	33 300	32 100	33 400	33 300	32 100	26,0
28,0	73,2	65,1	32 000	31 800	31 300	32 000	31 800	31 300	28,0
30,0	71,3	64,2	30 700	30 500	30 100	30 700	30 500	30 100	30,0
32,0	69,4	63,2	29 400	29 300	29 000	29 400	29 300	29 000	32,0
34,0	67,5	62,2	28 400	28 300	28 000	28 400	28 300	28 000	34,0
36,0	65,5	61,0	27 400	27 300	27 000	27 400	27 300	27 000	36,0
38,0	63,5	59,8	26 400	26 300	26 100	26 400	26 300	26 100	38,0
40,0	61,5	58,5	25 600	25 500	25 300	25 600	25 500	25 300	40,0
42,0	59,4	57,0	24 800	24 700	24 600	24 800	24 700	24 600	42,0
44,0	57,2	55,5	24 000	24 000	23 900	24 000	24 000	23 900	44,0
46,0	55,0	53,8	23 400	23 300	23 200	23 400	23 300	23 200	46,0
48,0	52,7	52,0	22 700	22 700	22 600	22 700	22 700	22 600	48,0
50,0	50,3	50,0	22 100	22 100	22 000	22 100	22 100	22 000	50,0
52,0	47,8	47,8	21 600	21 500	21 500	21 600	21 500	21 500	52,0
54,0	45,2	45,4	21 100	21 100	21 000	21 100	21 100	21 000	54,0
56,0	42,4	42,8	20 700	20 600	20 500	20 700	20 600	20 500	56,0
58,0	39,4	39,9	20 200	20 200	20 200	20 200	20 200	20 200	58,0
60,0	36,1	36,7	19 900	19 800	19 800	19 900	19 800	19 800	60,0
62,0	32,5	32,9	19 600	19 500	19 500	19 600	19 500	19 500	62,0
64,0	28,4	28,4	19 300	19 300	19 300	19 300	19 300	19 300	64,0
66,0									66,0

MLC650 VPC-MAX S-2



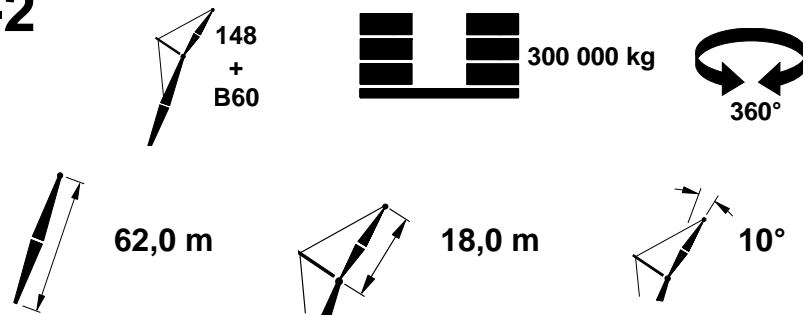
m	°	m	11,8 m			18,3 m			m
			0° kg	1° kg	2° kg	0° kg	1° kg	2° kg	
15,2	82,9	75,9	51 300			51 300			15,2
16,0	82,3	75,8	50 700			50 700			16,0
18,0	80,7	75,3	49 100	43 200		49 100	43 200		18,0
20,0	79,1	74,8	47 700	42 100	37 800	47 700	42 100	37 800	20,0
22,0	77,5	74,3	46 400	41 100	37 000	46 400	41 100	37 000	22,0
24,0	75,9	73,7	45 200	40 100	36 200	45 200	40 100	36 200	24,0
26,0	74,3	73,0	44 000	39 200	35 500	44 000	39 200	35 500	26,0
28,0	72,6	72,3	42 900	38 300	34 700	42 900	38 300	34 700	28,0
30,0	71,0	71,5	41 700	37 500	34 100	41 700	37 500	34 100	30,0
32,0	69,3	70,6	40 000	36 700	33 400	40 000	36 700	33 400	32,0
34,0	67,6	69,7	38 200	36 000	32 800	38 200	36 000	32 800	34,0
36,0	65,8	68,7	36 600	35 300	32 200	36 600	35 300	32 200	36,0
38,0	64,1	67,6	35 100	34 600	31 600	35 100	34 600	31 600	38,0
40,0	62,3	66,4	33 700	33 400	31 100	33 700	33 400	31 100	40,0
42,0	60,4	65,1	32 400	32 200	30 600	32 400	32 200	30 600	42,0
44,0	58,6	63,8	31 300	31 000	30 100	31 300	31 000	30 100	44,0
46,0	56,7	62,3	30 200	30 000	29 600	30 200	30 000	29 600	46,0
48,0	54,7	60,8	29 200	29 000	28 800	29 200	29 000	28 800	48,0
50,0	52,7	59,1	28 300	28 100	27 900	28 300	28 100	27 900	50,0
52,0	50,6	57,3	27 400	27 200	27 000	27 400	27 200	27 000	52,0
54,0	48,5	55,4	26 600	26 400	26 300	26 600	26 400	26 300	54,0
56,0	46,2	53,3	25 800	25 700	25 500	25 800	25 700	25 500	56,0
58,0	43,9	51,0	25 100	25 000	24 800	25 100	25 000	24 800	58,0
60,0	41,4	48,6	24 500	24 300	24 200	24 500	24 300	24 200	60,0
62,0	38,8	45,9	23 900	23 700	23 600	23 900	23 700	23 600	62,0
64,0	36,1	42,9	23 300	23 200	23 000	23 300	23 200	23 000	64,0
66,0	33,1	39,6	22 800	22 700	22 500	22 800	22 700	22 500	66,0
68,0	29,7	35,8	22 300	22 200	22 100	22 300	22 200	22 100	68,0
70,0	26,0	31,3	21 900	21 800	21 700	21 900	21 800	21 700	70,0

MLC650 VPC-MAX S-2



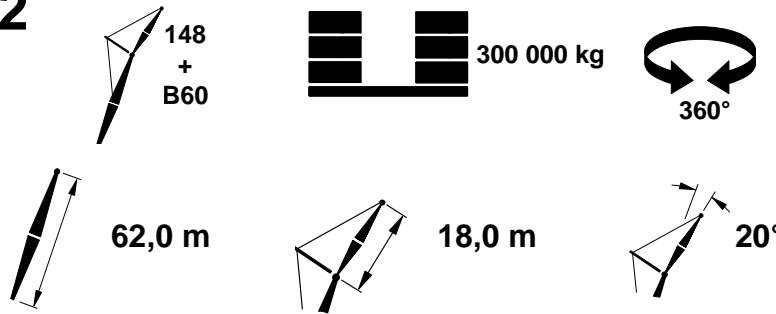
			11,8 m			18,3 m			
			0°	1°	2°	0°	1°	2°	
15,2			39 600	37 700		39 600	37 700		15,2
16,0									16,0
18,0									18,0
20,0	81,2	74,1	39 600	37 700		39 600	37 700		20,0
22,0	79,6	73,6	37 700	36 900	33 600	37 700	36 900	33 600	22,0
24,0	77,9	73,0	36 000	35 800	33 000	36 000	35 800	33 000	24,0
26,0	76,3	72,3	34 500	34 300	32 400	34 500	34 300	32 400	26,0
28,0	74,6	71,6	33 100	32 900	31 900	33 100	32 900	31 900	28,0
30,0	72,9	70,8	31 800	31 700	31 200	31 800	31 700	31 200	30,0
32,0	71,2	69,9	30 600	30 500	30 100	30 600	30 500	30 100	32,0
34,0	69,5	68,9	29 500	29 400	29 000	29 500	29 400	29 000	34,0
36,0	67,8	67,9	28 500	28 400	28 100	28 500	28 400	28 100	36,0
38,0	66,0	66,8	27 600	27 500	27 200	27 600	27 500	27 200	38,0
40,0	64,2	65,6	26 700	26 600	26 400	26 700	26 600	26 400	40,0
42,0	62,3	64,3	25 900	25 800	25 600	25 900	25 800	25 600	42,0
44,0	60,4	63,0	25 100	25 100	24 900	25 100	25 100	24 900	44,0
46,0	58,5	61,5	24 400	24 400	24 200	24 400	24 400	24 200	46,0
48,0	56,5	59,9	23 800	23 700	23 600	23 800	23 700	23 600	48,0
50,0	54,4	58,2	23 200	23 100	23 100	23 200	23 100	23 100	50,0
52,0	52,3	56,4	22 600	22 600	22 500	22 600	22 600	22 500	52,0
54,0	50,1	54,4	22 100	22 000	22 000	22 100	22 000	22 000	54,0
56,0	47,9	52,3	21 600	21 500	21 500	21 600	21 500	21 500	56,0
58,0	45,5	50,0	21 200	21 100	21 100	21 200	21 100	21 100	58,0
60,0	43,0	47,5	20 700	20 700	20 600	20 700	20 700	20 600	60,0
62,0	40,3	44,7	20 400	20 300	20 300	20 400	20 300	20 300	62,0
64,0	37,4	41,6	20 000	20 000	19 900	20 000	20 000	19 900	64,0
66,0	34,3	38,2	19 700	19 700	19 600	19 700	19 700	19 600	66,0
68,0	30,8	34,2	19 500	19 400	19 400	19 500	19 400	19 400	68,0
70,0									70,0

MLC650 VPC-MAX S-2



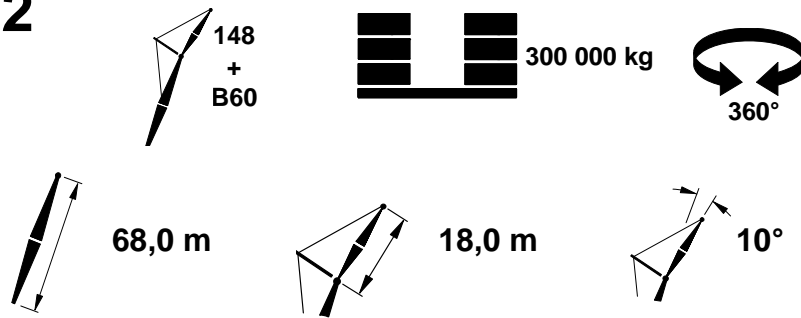
m	°	m	11,8 m			18,3 m			m
			0°	1°	2°	0°	1°	2°	
			kg	kg	kg	kg	kg	kg	
16,8	82,3	81,7	50 500			50 500			16,8
18,0	81,4	81,5	49 700			49 700			18,0
20,0	80,0	81,0	48 300	42 500	38 100	48 300	42 500	38 100	20,0
22,0	78,5	80,5	47 100	41 600	37 300	47 100	41 600	37 300	22,0
24,0	77,0	80,0	45 900	40 700	36 600	45 900	40 700	36 600	24,0
26,0	75,5	79,3	44 800	39 800	35 900	44 800	39 800	35 900	26,0
28,0	74,0	78,7	43 700	38 900	35 200	43 700	38 900	35 200	28,0
30,0	72,5	77,9	42 700	38 200	34 600	42 700	38 200	34 600	30,0
32,0	70,9	77,1	41 700	37 400	33 900	41 700	37 400	33 900	32,0
34,0	69,4	76,3	40 100	36 700	33 300	40 100	36 700	33 300	34,0
36,0	67,8	75,4	38 400	36 000	32 800	38 400	36 000	32 800	36,0
38,0	66,2	74,4	36 900	35 300	32 300	36 900	35 300	32 300	38,0
40,0	64,6	73,3	35 500	34 700	31 700	35 500	34 700	31 700	40,0
42,0	62,9	72,2	34 200	33 900	31 200	34 200	33 900	31 200	42,0
44,0	61,3	71,0	33 000	32 700	30 800	33 000	32 700	30 800	44,0
46,0	59,6	69,7	31 900	31 600	30 300	31 900	31 600	30 300	46,0
48,0	57,8	68,3	30 800	30 600	29 900	30 800	30 600	29 900	48,0
50,0	56,0	66,8	29 900	29 700	29 400	29 900	29 700	29 400	50,0
52,0	54,2	65,3	29 000	28 800	28 600	29 000	28 800	28 600	52,0
54,0	52,3	63,6	28 100	27 900	27 700	28 100	27 900	27 700	54,0
56,0	50,4	61,8	27 300	27 100	27 000	27 300	27 100	27 000	56,0
58,0	48,4	59,9	26 600	26 400	26 200	26 600	26 400	26 200	58,0
60,0	46,4	57,8	25 900	25 700	25 600	25 900	25 700	25 600	60,0
62,0	44,2	55,6	25 200	25 100	24 900	25 200	25 100	24 900	62,0
64,0	42,0	53,2	24 600	24 500	24 300	24 600	24 500	24 300	64,0
66,0	39,7	50,6	24 000	23 900	23 800	24 000	23 900	23 800	66,0
68,0	37,2	47,7	23 500	23 400	23 300	23 500	23 400	23 300	68,0
70,0	34,5	44,6	23 000	22 900	22 800	23 000	22 900	22 800	70,0
74,0	28,4	37,1	22 200	22 000	21 900	22 200	22 000	21 900	74,0

MLC650 VPC-MAX S-2



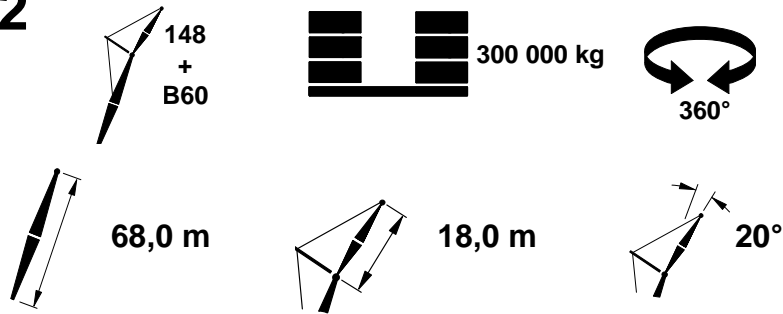
m	°	m	11,8 m			18,3 m			m
			0°	1°	2°	0°	1°	2°	
			kg	kg	kg	kg	kg	kg	
16,8									16,8
18,0									18,0
20,0	81,9	80,3	40 400			40 400			20,0
22,0	80,4	79,8	38 600			38 600			22,0
24,0	78,9	79,2	36 900			36 900			24,0
26,0	77,4	78,6	35 400			35 400			26,0
28,0	75,9	77,9	34 100	35 300	32 700	34 100	35 300	32 700	28,0
30,0	74,3	77,2	32 800	32 700	31 700	32 800	32 700	31 700	30,0
32,0	72,8	76,4	31 600	31 500	31 100	31 600	31 500	31 100	32,0
34,0	71,2	75,5	30 600	30 400	30 000	30 600	30 400	30 000	34,0
36,0	69,6	74,6	29 600	29 400	29 100	29 600	29 400	29 100	36,0
38,0	68,0	73,6	28 600	28 500	28 200	28 600	28 500	28 200	38,0
40,0	66,3	72,5	27 800	27 700	27 400	27 800	27 700	27 400	40,0
42,0	64,7	71,4	27 000	26 900	26 600	27 000	26 900	26 600	42,0
44,0	63,0	70,2	26 200	26 100	25 900	26 200	26 100	25 900	44,0
46,0	61,3	68,8	25 500	25 400	25 200	25 500	25 400	25 200	46,0
48,0	59,5	67,4	24 800	24 700	24 600	24 800	24 700	24 600	48,0
50,0	57,7	66,0	24 200	24 100	24 000	24 200	24 100	24 000	50,0
52,0	55,8	64,4	23 600	23 500	23 400	23 600	23 500	23 400	52,0
54,0	54,0	62,7	23 100	23 000	22 900	23 100	23 000	22 900	54,0
56,0	52,0	60,8	22 500	22 500	22 400	22 500	22 500	22 400	56,0
58,0	50,0	58,9	22 100	22 000	21 900	22 100	22 000	21 900	58,0
60,0	47,9	56,8	21 600	21 600	21 500	21 600	21 600	21 500	60,0
62,0	45,7	54,5	21 200	21 100	21 100	21 200	21 100	21 100	62,0
64,0	43,4	52,1	20 800	20 800	20 700	20 800	20 800	20 700	64,0
66,0	41,0	49,4	20 500	20 400	20 300	20 500	20 400	20 300	66,0
68,0	38,5	46,5	20 100	20 100	20 000	20 100	20 100	20 000	68,0
70,0	35,7	43,2	19 900	19 800	19 800	19 900	19 800	19 800	70,0
74,0	29,4	35,5	19 400	19 300	19 300	19 400	19 300	19 300	74,0

MLC650 VPC-MAX S-2



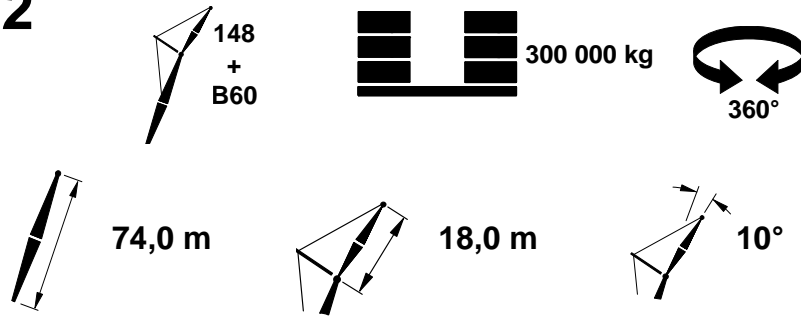
m	°	m	11,8 m			18,3 m			m
			0°	1°	2°	0°	1°	2°	
			kg	kg	kg	kg	kg	kg	
16,8	82,9	87,8	50 800			50 800			16,8
18,0	82,0	87,6	50 000			50 000			18,0
20,0	80,7	87,2	48 700	42 800	38 200	48 700	42 800	38 200	20,0
22,0	79,3	86,7	47 600	41 900	37 500	47 600	41 900	37 500	22,0
24,0	77,9	86,2	46 400	41 000	36 800	46 400	41 000	36 800	24,0
26,0	76,5	85,6	45 400	40 200	36 200	45 400	40 200	36 200	26,0
28,0	75,2	85,0	44 400	39 400	35 600	44 400	39 400	35 600	28,0
30,0	73,7	84,3	43 400	38 700	34 900	43 400	38 700	34 900	30,0
32,0	72,3	83,6	42 500	37 900	34 400	42 500	37 900	34 400	32,0
34,0	70,9	82,8	41 500	37 300	33 800	41 500	37 300	33 800	34,0
36,0	69,5	82,0	40 100	36 600	33 300	40 100	36 600	33 300	36,0
38,0	68,0	81,1	38 600	36 000	32 700	38 600	36 000	32 700	38,0
40,0	66,5	80,1	37 200	35 400	32 200	37 200	35 400	32 200	40,0
42,0	65,0	79,1	35 800	34 800	31 700	35 800	34 800	31 700	42,0
44,0	63,5	78,0	34 600	34 200	31 300	34 600	34 200	31 300	44,0
46,0	62,0	76,8	33 500	33 200	30 900	33 500	33 200	30 900	46,0
48,0	60,4	75,5	32 400	32 100	30 400	32 400	32 100	30 400	48,0
50,0	58,8	74,2	31 400	31 200	30 100	31 400	31 200	30 100	50,0
52,0	57,2	72,8	30 400	30 200	29 700	30 400	30 200	29 700	52,0
54,0	55,5	71,3	29 600	29 400	29 200	29 600	29 400	29 200	54,0
56,0	53,8	69,7	28 800	28 600	28 400	28 800	28 600	28 400	56,0
58,0	52,1	68,0	28 000	27 800	27 600	28 000	27 800	27 600	58,0
60,0	50,3	66,2	27 300	27 100	26 900	27 300	27 100	26 900	60,0
62,0	48,4	64,3	26 600	26 400	26 200	26 600	26 400	26 200	62,0
64,0	46,5	62,3	25 900	25 800	25 600	25 900	25 800	25 600	64,0
66,0	44,5	60,1	25 300	25 200	25 000	25 300	25 200	25 000	66,0
68,0	42,5	57,8	24 800	24 600	24 500	24 800	24 600	24 500	68,0
70,0	40,3	55,2	24 200	24 100	24 000	24 200	24 100	24 000	70,0
74,0	35,7	49,5	23 200	23 100	23 000	23 200	23 100	23 000	74,0
78,0	30,4	42,6	22 100	21 400	20 700	22 400	22 300	22 200	78,0
82,0	23,8	33,6	18 600	18 000	17 500	21 700	21 600	21 500	82,0

MLC650 VPC-MAX S-2



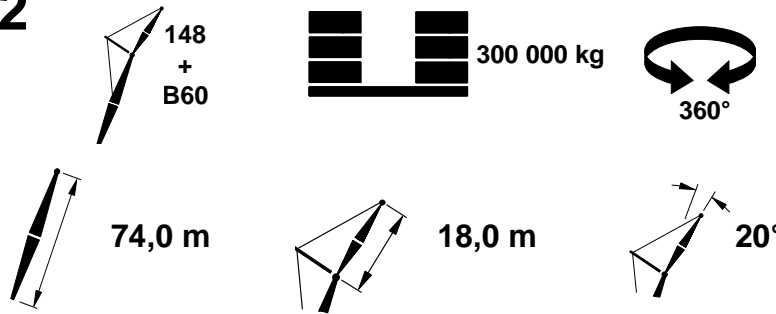
m	°	m	11,8 m			18,3 m			m
			0° kg	1° kg	2° kg	0° kg	1° kg	2° kg	
16,8									16,8
18,0									18,0
20,0	82,5	86,4	41 100			41 100			20,0
22,0	81,1	86,0	39 300			39 300			22,0
24,0	79,7	85,4	37 800			37 800			24,0
26,0	78,3	84,9	36 300			36 300			26,0
28,0	76,9	84,2	35 000			35 000			28,0
30,0	75,5	83,6	33 700			33 700			30,0
32,0	74,0	82,8	32 600			32 600			32,0
34,0	72,6	82,0	31 500			31 500			34,0
36,0	71,1	81,2	30 500			30 500			36,0
38,0	69,7	80,3	29 600			29 600			38,0
40,0	68,2	79,3	28 700			28 700			40,0
42,0	66,7	78,2	27 900			27 900			42,0
44,0	65,1	77,1	27 100			27 100			44,0
46,0	63,6	76,0	26 400			26 400			46,0
48,0	62,0	74,7	25 800			25 800			48,0
50,0	60,4	73,4	25 100			25 100			50,0
52,0	58,7	71,9	24 500			24 500			52,0
54,0	57,0	70,4	24 000			24 000			54,0
56,0	55,3	68,8	23 400			23 400			56,0
58,0	53,5	67,1	22 900			22 900			58,0
60,0	51,7	65,3	22 500			22 500			60,0
62,0	49,8	63,3	22 000			22 000			62,0
64,0	47,9	61,3	21 600			21 600			64,0
66,0	45,9	59,0	21 300			21 300			66,0
68,0	43,8	56,6	20 900			20 900			68,0
70,0	41,6	54,1	20 500			20 500			70,0
74,0	36,8	48,2	20 000			20 000			74,0
78,0	31,3	41,0	19 500			19 500			78,0
82,0									82,0

MLC650 VPC-MAX S-2



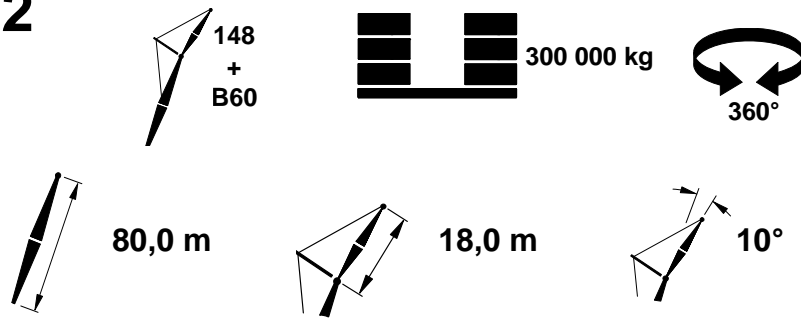
m	°	m	11,8 m			18,3 m			m
			0°	1°	2°	0°	1°	2°	
			kg	kg	kg	kg	kg	kg	
18,3	82,4	93,6	50 100			50 100			18,3
20,0	81,3	93,3	49 100	43 000		49 100	43 000		20,0
22,0	80,0	92,9	48 000	42 200	37 700	48 000	42 200	37 700	22,0
24,0	78,7	92,4	46 900	41 300	37 000	46 900	41 300	37 000	24,0
26,0	77,5	91,9	45 900	40 600	36 400	45 900	40 600	36 400	26,0
28,0	76,2	91,3	45 000	39 800	35 800	45 000	39 800	35 800	28,0
30,0	74,9	90,7	44 000	39 100	35 300	44 000	39 100	35 300	30,0
32,0	73,5	90,0	43 100	38 400	34 700	43 100	38 400	34 700	32,0
34,0	72,2	89,2	42 300	37 800	34 200	42 300	37 800	34 200	34,0
36,0	70,9	88,5	41 500	37 100	33 600	41 500	37 100	33 600	36,0
38,0	69,5	87,6	40 200	36 500	33 100	40 200	36 500	33 100	38,0
40,0	68,2	86,7	38 800	35 900	32 700	38 800	35 900	32 700	40,0
42,0	66,8	85,8	37 400	35 400	32 200	37 400	35 400	32 200	42,0
44,0	65,4	84,8	36 100	34 800	31 800	36 100	34 800	31 800	44,0
46,0	64,0	83,7	35 000	34 300	31 300	35 000	34 300	31 300	46,0
48,0	62,5	82,6	33 900	33 600	30 900	33 900	33 600	30 900	48,0
50,0	61,1	81,4	32 900	32 600	30 500	32 900	32 600	30 500	50,0
52,0	59,6	80,1	31 900	31 700	30 200	31 900	31 700	30 200	52,0
54,0	58,1	78,7	31 000	30 800	29 800	31 000	30 800	29 800	54,0
56,0	56,6	77,3	30 200	29 900	29 500	30 200	29 900	29 500	56,0
58,0	55,0	75,8	29 400	29 200	29 000	29 400	29 200	29 000	58,0
60,0	53,4	74,2	28 600	28 400	28 200	28 600	28 400	28 200	60,0
62,0	51,8	72,5	27 900	27 700	27 500	27 900	27 700	27 500	62,0
64,0	50,1	70,7	27 200	27 000	26 900	27 200	27 000	26 900	64,0
66,0	48,4	68,8	26 600	26 400	26 300	26 600	26 400	26 300	66,0
68,0	46,6	66,8	26 000	25 800	25 700	26 000	25 800	25 700	68,0
70,0	44,8	64,6	25 400	25 300	25 100	25 400	25 300	25 100	70,0
74,0	40,9	59,9	24 000	23 100	22 100	24 400	24 200	24 100	74,0
78,0	36,7	54,3	20 400	19 500	18 600	23 400	23 300	23 200	78,0
82,0	31,9	47,8	16 900	16 100	15 500	22 600	22 500	22 400	82,0
86,0	26,3	39,7	13 600	13 100	12 500	21 900	21 800	21 700	86,0

MLC650 VPC-MAX S-2



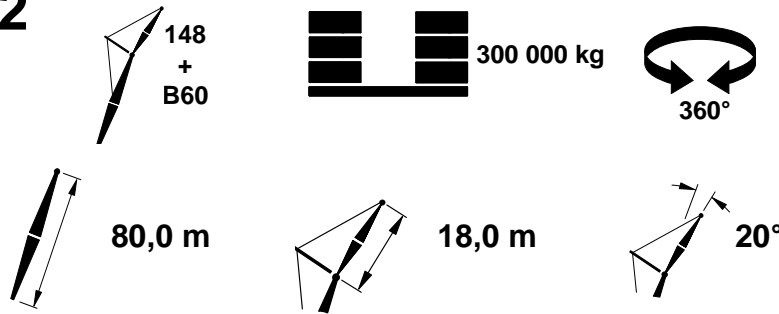
m	°	m	11,8 m			18,3 m			m
			0°	1°	2°	0°	1°	2°	
			kg	kg	kg	kg	kg	kg	
18,3									18,3
20,0									20,0
22,0	81,7	92,1	40 000			40 000			22,0
24,0	80,4	91,6	38 500			38 500			24,0
26,0	79,1	91,1	37 100			37 100			26,0
28,0	77,8	90,5	35 800			35 800			28,0
30,0	76,5	89,9	34 600			34 600			30,0
32,0	75,1	89,2	33 400			33 400			32,0
34,0	73,8	88,5	32 400			32 400			34,0
36,0	72,5	87,7	31 400			31 400			36,0
38,0	71,1	86,8	30 500			30 500			38,0
40,0	69,7	85,9	29 600			29 600			40,0
42,0	68,3	85,0	28 800			28 800			42,0
44,0	66,9	84,0	28 000			28 000			44,0
46,0	65,5	82,9	27 300			27 300			46,0
48,0	64,1	81,7	26 700			26 700			48,0
50,0	62,6	80,5	26 000			26 000			50,0
52,0	61,1	79,2	25 400			25 400			52,0
54,0	59,6	77,9	24 800			24 800			54,0
56,0	58,0	76,4	24 300			24 300			56,0
58,0	56,4	74,9	23 800			23 800			58,0
60,0	54,8	73,3	23 300			23 300			60,0
62,0	53,2	71,6	22 900			22 900			62,0
64,0	51,5	69,7	22 400			22 400			64,0
66,0	49,7	67,8	22 000			22 000			66,0
68,0	47,9	65,7	21 600			21 600			68,0
70,0	46,1	63,5	21 300			21 300			70,0
74,0	42,1	58,7	20 600			20 600			74,0
78,0	37,8	53,0	20 100			20 100			78,0
82,0	32,9	46,3	17 300			19 600			82,0
86,0									86,0

MLC650 VPC-MAX S-2



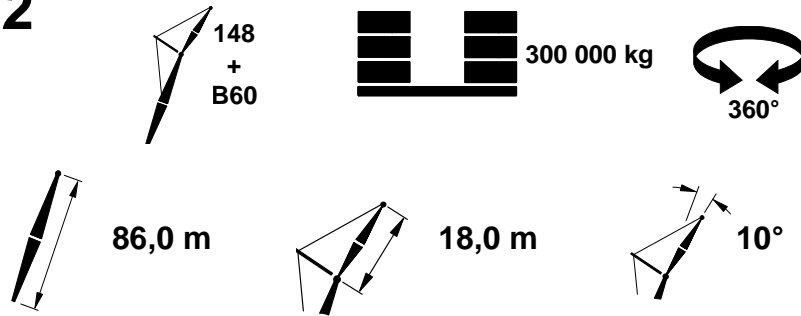
m	°	m	11,8 m			18,3 m			m
			0°	1°	2°	0°	1°	2°	
			kg	kg	kg	kg	kg	kg	
18,3	82,9	99,7	50 400			50 400			18,3
20,0	81,8	99,4	49 400	43 100		49 400	43 100		20,0
22,0	80,6	99,0	48 400	42 300		48 400	42 300		22,0
24,0	79,4	98,6	47 300	41 600	37 200	47 300	41 600	37 200	24,0
26,0	78,2	98,1	46 400	40 800	36 600	46 400	40 800	36 600	26,0
28,0	77,0	97,5	45 400	40 100	36 000	45 400	40 100	36 000	28,0
30,0	75,8	96,9	44 600	39 400	35 500	44 600	39 400	35 500	30,0
32,0	74,6	96,3	43 700	38 800	35 000	43 700	38 800	35 000	32,0
34,0	73,4	95,6	42 900	38 200	34 400	42 900	38 200	34 400	34,0
36,0	72,1	94,9	42 100	37 600	34 000	42 100	37 600	34 000	36,0
38,0	70,9	94,1	41 400	37 000	33 500	41 400	37 000	33 500	38,0
40,0	69,6	93,3	40 300	36 400	33 000	40 300	36 400	33 000	40,0
42,0	68,3	92,4	38 900	35 900	32 600	38 900	35 900	32 600	42,0
44,0	67,0	91,5	37 600	35 400	32 100	37 600	35 400	32 100	44,0
46,0	65,7	90,5	36 500	34 800	31 700	36 500	34 800	31 700	46,0
48,0	64,4	89,4	35 400	34 400	31 300	35 400	34 400	31 300	48,0
50,0	63,1	88,3	34 300	33 900	31 000	34 300	33 900	31 000	50,0
52,0	61,7	87,2	33 300	33 100	30 600	33 300	33 100	30 600	52,0
54,0	60,3	85,9	32 400	32 100	30 200	32 400	32 100	30 200	54,0
56,0	58,9	84,6	31 500	31 300	29 900	31 500	31 300	29 900	56,0
58,0	57,5	83,3	30 700	30 500	29 600	30 700	30 500	29 600	58,0
60,0	56,1	81,8	29 900	29 700	29 300	29 900	29 700	29 300	60,0
62,0	54,6	80,3	29 200	29 000	28 800	29 200	29 000	28 800	62,0
64,0	53,1	78,7	28 500	28 300	28 100	28 500	28 300	28 100	64,0
66,0	51,6	77,0	27 800	27 600	27 500	27 800	27 600	27 500	66,0
68,0	50,0	75,2	27 200	27 000	26 400	27 200	27 000	26 800	68,0
70,0	48,4	73,3	26 600	25 800	24 500	26 600	26 400	26 300	70,0
74,0	45,0	69,2	23 000	21 800	20 700	25 500	25 300	25 200	74,0
78,0	41,4	64,5	19 200	18 200	17 200	24 500	24 400	24 200	78,0
82,0	37,5	59,1	15 800	14 900	14 100	23 600	23 500	23 400	82,0
86,0	33,2	52,9	12 600	11 900	11 200	22 800	22 700	22 600	86,0
90,0	28,2	45,4	9 700	9 100	8 500	22 200	22 000	21 900	90,0
94,0	22,1	35,7	6 900	6 400	6 000	21 600	21 500	21 400	94,0

MLC650 VPC-MAX S-2



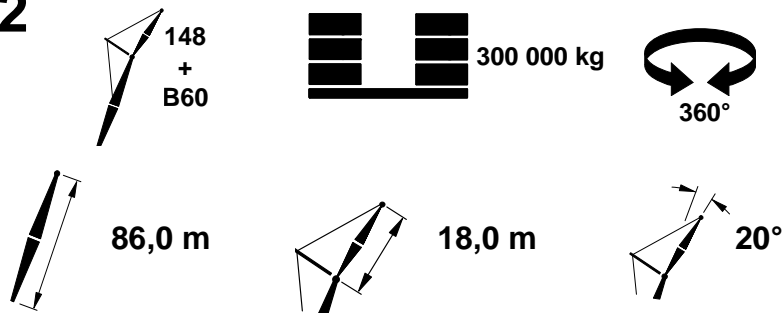
m	°	m	11,8 m			18,3 m			m
			0°	1°	2°	0°	1°	2°	
			kg	kg	kg	kg	kg	kg	
18,3									18,3
20,0									20,0
22,0	82,2	98,3	40 700			40 700			22,0
24,0	81,0	97,8	39 200	37 100		39 200	37 100		24,0
26,0	79,8	97,3	37 800	36 500	33 100	37 800	36 500	33 100	26,0
28,0	78,6	96,8	36 600	36 000	32 700	36 600	36 000	32 700	28,0
30,0	77,3	96,2	35 400	35 200	32 300	35 400	35 200	32 300	30,0
32,0	76,1	95,5	34 300	34 100	31 900	34 300	34 100	31 900	32,0
34,0	74,9	94,9	33 200	33 100	31 500	33 200	33 100	31 500	34,0
36,0	73,6	94,1	32 200	32 100	31 200	32 200	32 100	31 200	36,0
38,0	72,3	93,3	31 300	31 200	30 800	31 300	31 200	30 800	38,0
40,0	71,1	92,5	30 500	30 300	30 000	30 500	30 300	30 000	40,0
42,0	69,8	91,6	29 700	29 500	29 200	29 700	29 500	29 200	42,0
44,0	68,5	90,7	28 900	28 800	28 500	28 900	28 800	28 500	44,0
46,0	67,2	89,7	28 200	28 100	27 800	28 200	28 100	27 800	46,0
48,0	65,8	88,6	27 500	27 400	27 100	27 500	27 400	27 100	48,0
50,0	64,5	87,5	26 900	26 700	26 500	26 900	26 700	26 500	50,0
52,0	63,1	86,3	26 300	26 200	25 900	26 300	26 200	25 900	52,0
54,0	61,7	85,1	25 700	25 600	25 400	25 700	25 600	25 400	54,0
56,0	60,3	83,8	25 100	25 000	24 900	25 100	25 000	24 900	56,0
58,0	58,9	82,4	24 600	24 500	24 400	24 600	24 500	24 400	58,0
60,0	57,4	80,9	24 100	24 000	23 900	24 100	24 000	23 900	60,0
62,0	55,9	79,4	23 600	23 600	23 500	23 600	23 600	23 500	62,0
64,0	54,4	77,7	23 200	23 100	23 000	23 200	23 100	23 000	64,0
66,0	52,9	76,0	22 800	22 700	22 600	22 800	22 700	22 600	66,0
68,0	51,3	74,2	22 400	22 300	22 300	22 400	22 300	22 300	68,0
70,0	49,6	72,3	22 000	22 000	21 900	22 000	22 000	21 900	70,0
74,0	46,2	68,1	21 300	21 300	21 100	21 300	21 300	21 200	74,0
78,0	42,6	63,3	20 000	18 900	17 900	20 700	20 600	20 600	78,0
82,0	38,6	57,8	16 400	15 500	14 600	20 200	20 100	20 100	82,0
86,0	34,1	51,4	13 100	12 300	11 600	19 700	19 700	19 600	86,0
90,0									90,0
94,0									94,0

MLC650 VPC-MAX S-2



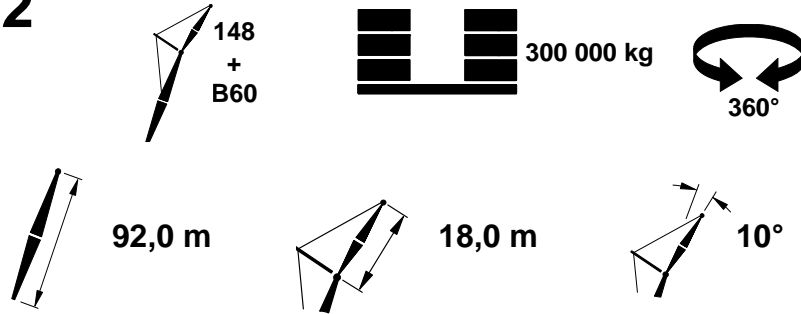
m	°	m	11,8 m			18,3 m			m
			0°	1°	2°	0°	1°	2°	
			kg	kg	kg	kg	kg	kg	
19,8	82,4	105,5	48 300			48 300			19,8
20,0	82,3	105,5	48 300			48 300			20,0
22,0	81,2	105,1	47 300	41 400		47 300	41 400		22,0
24,0	80,1	104,7	46 400	40 700	36 400	46 400	40 700	36 400	24,0
26,0	78,9	104,2	45 500	40 100	35 900	45 500	40 100	35 900	26,0
28,0	77,8	103,7	44 700	39 400	35 400	44 700	39 400	35 400	28,0
30,0	76,7	103,2	43 900	38 800	34 900	43 900	38 800	34 900	30,0
32,0	75,5	102,6	43 100	38 200	34 400	43 100	38 200	34 400	32,0
34,0	74,4	102,0	42 300	37 600	33 900	42 300	37 600	33 900	34,0
36,0	73,2	101,3	41 600	37 100	33 500	41 600	37 100	33 500	36,0
38,0	72,0	100,6	40 900	36 600	33 100	40 900	36 600	33 100	38,0
40,0	70,8	99,8	40 300	36 000	32 600	40 300	36 000	32 600	40,0
42,0	69,6	99,0	39 600	35 500	32 200	39 600	35 500	32 200	42,0
44,0	68,4	98,1	39 000	35 000	31 900	39 000	35 000	31 900	44,0
46,0	67,2	97,2	38 400	34 600	31 500	38 400	34 600	31 500	46,0
48,0	66,0	96,2	37 400	34 100	31 100	37 400	34 100	31 100	48,0
50,0	64,8	95,2	36 300	33 700	30 700	36 300	33 700	30 700	50,0
52,0	63,5	94,1	35 200	33 300	30 400	35 200	33 300	30 400	52,0
54,0	62,3	93,0	34 300	32 900	30 000	34 300	32 900	30 000	54,0
56,0	61,0	91,8	33 300	32 500	29 700	33 300	32 500	29 700	56,0
58,0	59,7	90,5	32 500	32 100	29 400	32 500	32 100	29 400	58,0
60,0	58,3	89,2	31 600	31 300	29 100	31 600	31 300	29 100	60,0
62,0	57,0	87,8	30 900	30 600	28 800	30 900	30 600	28 800	62,0
64,0	55,6	86,3	30 100	29 800	28 600	30 100	29 800	28 600	64,0
66,0	54,2	84,8	29 400	29 100	28 300	29 400	29 100	28 300	66,0
68,0	52,8	83,2	28 800	28 500	27 600	28 800	28 500	28 000	68,0
70,0	51,4	81,5	28 100	27 300	25 700	28 100	27 900	27 500	70,0
74,0	48,4	77,8	24 500	23 100	21 800	27 000	26 700	26 400	74,0
78,0	45,2	73,7	20 600	19 300	18 200	25 900	25 700	25 400	78,0
82,0	41,9	69,1	16 900	15 900	14 900	24 900	24 800	24 500	82,0
86,0	38,3	63,9	13 600	12 700	11 900	24 100	23 900	23 700	86,0
90,0	34,3	57,9	10 600	9 800	9 100	23 300	23 100	23 000	90,0
94,0	29,8	50,8	7 800	7 100	6 500	22 600	22 500	22 400	94,0
98,0	24,5	42,1	5 100	4 600	4 100	22 000	21 900	21 800	98,0

MLC650 VPC-MAX S-2



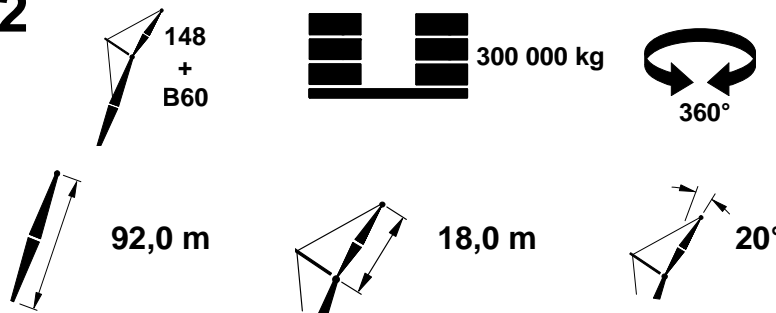
m	°	m	11,8 m			18,3 m			m
			0° kg	1° kg	2° kg	0° kg	1° kg	2° kg	
19,8									19,8
20,0									20,0
22,0									22,0
24,0	81,5	103,9	40 400			40 400			24,0
26,0	80,4	103,5	39 100	35 800	32 400	39 100	35 800	32 400	26,0
28,0	79,3	103,0	37 900	35 300	32 100	37 900	35 300	32 100	28,0
30,0	78,1	102,4	36 700	34 900	31 700	36 700	34 900	31 700	30,0
32,0	76,9	101,8	35 600	34 500	31 400	35 600	34 500	31 400	32,0
34,0	75,8	101,2	34 500	34 000	31 000	34 500	34 000	31 000	34,0
36,0	74,6	100,5	33 500	33 200	30 700	33 500	33 200	30 700	36,0
38,0	73,4	99,8	32 600	32 300	30 400	32 600	32 300	30 400	38,0
40,0	72,2	99,0	31 700	31 400	30 100	31 700	31 400	30 100	40,0
42,0	71,0	98,2	30 900	30 600	29 800	30 900	30 600	29 800	42,0
44,0	69,8	97,3	30 100	29 800	29 200	30 100	29 800	29 200	44,0
46,0	68,6	96,4	29 400	29 100	28 500	29 400	29 100	28 500	46,0
48,0	67,4	95,4	28 700	28 400	27 900	28 700	28 400	27 900	48,0
50,0	66,1	94,3	28 000	27 800	27 300	28 000	27 800	27 300	50,0
52,0	64,9	93,2	27 400	27 100	26 700	27 400	27 100	26 700	52,0
54,0	63,6	92,1	26 800	26 600	26 100	26 800	26 600	26 100	54,0
56,0	62,3	90,9	26 200	26 000	25 600	26 200	26 000	25 600	56,0
58,0	61,0	89,6	25 700	25 500	25 100	25 700	25 500	25 100	58,0
60,0	59,6	88,3	25 200	25 000	24 600	25 200	25 000	24 600	60,0
62,0	58,3	86,9	24 700	24 500	24 200	24 700	24 500	24 200	62,0
64,0	56,9	85,4	24 200	24 100	23 700	24 200	24 100	23 700	64,0
66,0	55,5	83,8	23 800	23 600	23 300	23 800	23 600	23 300	66,0
68,0	54,0	82,2	23 400	23 200	22 900	23 400	23 200	22 900	68,0
70,0	52,6	80,5	23 000	22 800	22 600	23 000	22 800	22 600	70,0
74,0	49,5	76,7	22 200	22 100	21 900	22 200	22 100	21 900	74,0
78,0	46,3	72,6	21 400	20 200	19 000	21 600	21 500	21 300	78,0
82,0	42,9	67,9	17 700	16 600	15 600	21 000	20 900	20 800	82,0
86,0	39,2	62,6	14 300	13 400	12 500	20 400	20 400	20 300	86,0
90,0	35,2	56,4	11 100	10 300	9 600	20 000	20 000	19 900	90,0
94,0	30,6	49,2	8 100	7 500	6 900	19 600	19 600	19 500	94,0
98,0									98,0

MLC650 VPC-MAX S-2



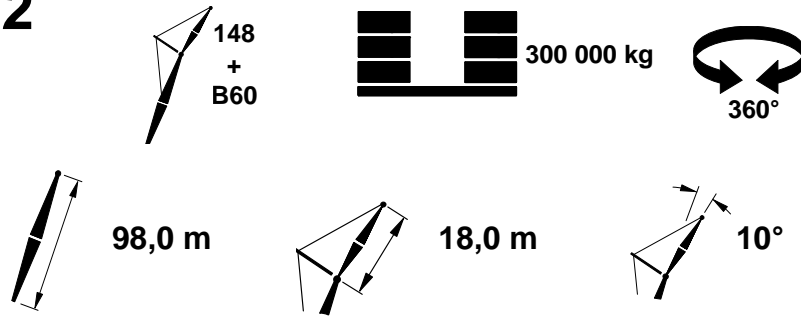
m	°	m	11,8 m			18,3 m			m
			0°	1°	2°	0°	1°	2°	
			kg	kg	kg	kg	kg	kg	
19,8	82,8	111,6	48 400			48 400			19,8
20,0	82,7	111,6	48 400			48 400			20,0
22,0	81,7	111,2	47 500			47 500			22,0
24,0	80,6	110,8	46 600	40 800		46 600	40 800		24,0
26,0	79,5	110,4	45 800	40 200	35 900	45 800	40 200	35 900	26,0
28,0	78,5	109,9	45 000	39 600	35 400	45 000	39 600	35 400	28,0
30,0	77,4	109,4	44 200	39 000	35 000	44 200	39 000	35 000	30,0
32,0	76,3	108,8	43 500	38 400	34 500	43 500	38 400	34 500	32,0
34,0	75,2	108,2	42 700	37 900	34 100	42 700	37 900	34 100	34,0
36,0	74,1	107,6	42 100	37 300	33 700	42 100	37 300	33 700	36,0
38,0	73,0	106,9	41 400	36 800	33 300	41 400	36 800	33 300	38,0
40,0	71,9	106,2	40 800	36 400	32 800	40 800	36 400	32 800	40,0
42,0	70,8	105,4	40 100	35 900	32 500	40 100	35 900	32 500	42,0
44,0	69,7	104,6	39 500	35 400	32 100	39 500	35 400	32 100	44,0
46,0	68,6	103,7	39 000	35 000	31 700	39 000	35 000	31 700	46,0
48,0	67,4	102,8	38 400	34 500	31 400	38 400	34 500	31 400	48,0
50,0	66,3	101,9	37 600	34 100	31 000	37 600	34 100	31 000	50,0
52,0	65,1	100,9	36 600	33 700	30 700	36 600	33 700	30 700	52,0
54,0	63,9	99,8	35 600	33 300	30 400	35 600	33 300	30 400	54,0
56,0	62,7	98,7	34 600	32 900	30 000	34 600	32 900	30 000	56,0
58,0	61,5	97,5	33 800	32 500	29 800	33 800	32 500	29 800	58,0
60,0	60,3	96,3	32 900	32 200	29 500	32 900	32 200	29 500	60,0
62,0	59,1	95,0	32 100	31 700	29 200	32 100	31 700	29 200	62,0
64,0	57,8	93,7	31 400	31 000	28 900	31 400	31 000	28 900	64,0
66,0	56,5	92,3	30 600	30 100	28 300	30 600	30 300	28 600	66,0
68,0	55,2	90,8	29 700	28 200	26 300	30 000	29 600	28 400	68,0
70,0	53,9	89,2	27 700	25 900	24 200	29 300	29 000	28 100	70,0
74,0	51,2	85,9	23 300	21 700	20 200	28 100	27 800	27 400	74,0
78,0	48,4	82,2	19 300	17 900	16 600	27 000	26 700	26 400	78,0
82,0	45,4	78,1	15 700	14 500	13 400	26 000	25 800	25 500	82,0
86,0	42,2	73,6	12 400	11 400	10 400	25 100	24 900	24 600	86,0
90,0	38,9	68,5	9 400	8 500	7 700	24 200	24 100	23 900	90,0
94,0	35,2	62,7	6 600	5 900	5 100	23 500	23 300	23 200	94,0
98,0	31,1	56,0	4 000			22 800	22 700	22 600	98,0
102,0	26,4	47,9				22 200	22 100	22 000	102,0
106,0	20,7	37,6				21 700	21 600	21 500	106,0

MLC650 VPC-MAX S-2



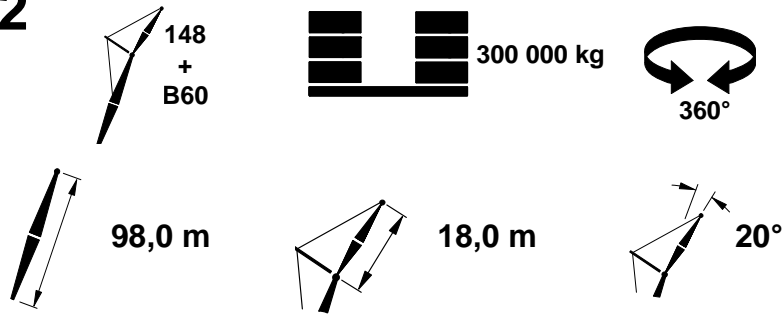
m	°	m	11,8 m			18,3 m			m
			0°	1°	2°	0°	1°	2°	
			kg	kg	kg	kg	kg	kg	
19,8									19,8
20,0									20,0
22,0									22,0
24,0									24,0
26,0	82,0	110,0	40 800			40 800			26,0
	80,9	109,6	39 800			39 800			
28,0	79,9	109,1	38 500			38 500			28,0
30,0	78,8	108,6	37 400			37 400			30,0
32,0	77,7	108,0	36 300			36 300			32,0
34,0	76,6	107,4	35 200			35 200			34,0
36,0	75,5	106,8	34 300			34 300			36,0
38,0	74,4	106,1	33 300			33 300			38,0
40,0	73,3	105,4	32 500			32 500			40,0
42,0	72,1	104,6	31 700			31 700			42,0
44,0	71,0	103,8	30 900			30 900			44,0
46,0	69,9	102,9	30 200			30 200			46,0
48,0	68,7	102,0	29 500			29 500			48,0
50,0	67,5	101,0	28 800			28 800			50,0
52,0	66,4	100,0	28 200			28 200			52,0
54,0	65,2	98,9	27 600			27 600			54,0
56,0	64,0	97,8	27 000			27 000			56,0
58,0	62,8	96,6	26 500			26 500			58,0
60,0	61,5	95,4	25 900			25 900			60,0
62,0	60,3	94,1	25 400			25 400			62,0
64,0	59,0	92,8	25 000			25 000			64,0
66,0	57,7	91,3	24 500			24 500			66,0
68,0	56,4	89,8	24 100			24 100			68,0
70,0	55,1	88,3	23 700			23 700			70,0
74,0	52,3	84,9	22 900			22 900			74,0
78,0	49,5	81,2	20 300			22 200			78,0
82,0	46,4	77,0	16 600			21 600			82,0
86,0	43,2	72,4	13 200			21 000			86,0
90,0	39,8	67,2	10 000			20 500			90,0
94,0	36,1	61,3	7 100			20 100			94,0
98,0	31,9	54,4	4 400			19 700			98,0
102,0									102,0
106,0									106,0

MLC650 VPC-MAX S-2



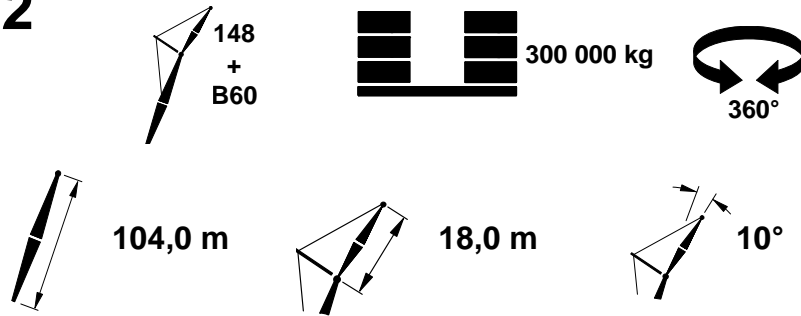
m	°	m	11,8 m			18,3 m			m
			0°	1°	2°	0°	1°	2°	
			kg	kg	kg	kg	kg	kg	
21,3	82,4	117,4	47 800			47 800			21,3
22,0	82,1	117,3	47 500			47 500			22,0
24,0	81,1	116,9	46 700	40 800		46 700	40 800		24,0
26,0	80,1	116,5	46 000	40 200	35 800	46 000	40 200	35 800	26,0
28,0	79,1	116,1	45 200	39 600	35 400	45 200	39 600	35 400	28,0
30,0	78,1	115,6	44 500	39 100	35 000	44 500	39 100	35 000	30,0
32,0	77,0	115,1	43 800	38 500	34 500	43 800	38 500	34 500	32,0
34,0	76,0	114,5	43 100	38 000	34 100	43 100	38 000	34 100	34,0
36,0	75,0	113,9	42 400	37 500	33 700	42 400	37 500	33 700	36,0
38,0	74,0	113,2	41 800	37 000	33 400	41 800	37 000	33 400	38,0
40,0	72,9	112,6	41 200	36 600	33 000	41 200	36 600	33 000	40,0
42,0	71,9	111,8	40 600	36 100	32 600	40 600	36 100	32 600	42,0
44,0	70,8	111,1	40 000	35 700	32 200	40 000	35 700	32 200	44,0
46,0	69,7	110,3	39 400	35 200	31 900	39 400	35 200	31 900	46,0
48,0	68,7	109,4	38 900	34 800	31 600	38 900	34 800	31 600	48,0
50,0	67,6	108,5	38 400	34 400	31 200	38 400	34 400	31 200	50,0
52,0	66,5	107,6	37 900	34 000	30 900	37 900	34 000	30 900	52,0
54,0	65,4	106,6	36 900	33 600	30 600	36 900	33 600	30 600	54,0
56,0	64,3	105,5	35 900	33 300	30 300	35 900	33 300	30 300	56,0
58,0	63,1	104,5	35 000	32 900	30 000	35 000	32 900	30 000	58,0
60,0	62,0	103,3	34 200	32 600	29 700	34 200	32 600	29 700	60,0
62,0	60,9	102,1	33 400	32 200	29 400	33 400	32 200	29 400	62,0
64,0	59,7	100,9	32 600	30 700	28 500	32 600	31 900	29 200	64,0
66,0	58,5	99,6	30 500	28 200	26 100	31 900	31 400	28 900	66,0
68,0	57,3	98,2	27 900	25 800	23 800	31 100	30 700	28 700	68,0
70,0	56,1	96,8	25 500	23 600	21 700	30 500	30 100	28 400	70,0
74,0	53,6	93,7	21 100	19 400	17 800	29 200	28 900	28 000	74,0
78,0	51,0	90,4	17 100	15 600	14 200	28 100	27 700	27 300	78,0
82,0	48,4	86,7	13 500	12 200	11 000	27 000	26 700	26 400	82,0
86,0	45,5	82,6	10 200	9 100	8 000	26 100	25 800	25 500	86,0
90,0	42,6	78,2	7 200	6 200	5 300	25 200	25 000	24 700	90,0
94,0	39,4	73,2	4 500	3 600		24 400	24 200	24 000	94,0
98,0	36,0	67,6				23 700	23 500	23 300	98,0
102,0	32,3	61,1				23 000	22 900	22 700	102,0
106,0	28,0	53,6				22 400	22 300	22 200	106,0
110,0	23,0	44,3				21 900	21 800	21 700	110,0

MLC650 VPC-MAX S-2



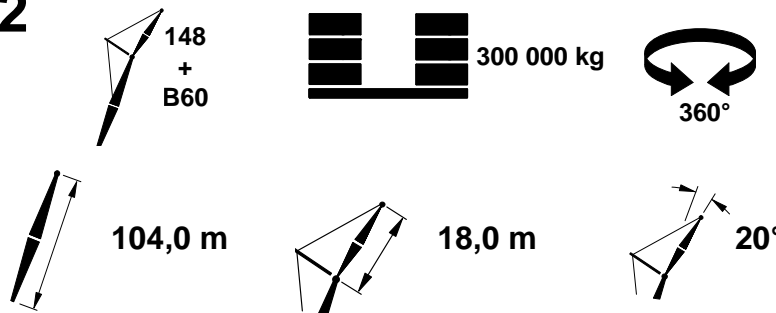
m	°	m	11,8 m			18,3 m			m
			0°	1°	2°	0°	1°	2°	
			kg	kg	kg	kg	kg	kg	
21,3									21,3
22,0									22,0
24,0									24,0
26,0	81,4	115,7	40 300	35 800		40 300	35 800		26,0
28,0	80,4	115,3	39 200	35 400	32 000	39 200	35 400	32 000	28,0
30,0	79,4	114,8	38 000	35 000	31 700	38 000	35 000	31 700	30,0
32,0	78,3	114,3	36 900	34 600	31 400	36 900	34 600	31 400	32,0
34,0	77,3	113,7	35 900	34 300	31 100	35 900	34 300	31 100	34,0
36,0	76,3	113,1	35 000	33 900	30 800	35 000	33 900	30 800	36,0
38,0	75,2	112,4	34 100	33 600	30 500	34 100	33 600	30 500	38,0
40,0	74,2	111,8	33 200	32 800	30 200	33 200	32 800	30 200	40,0
42,0	73,1	111,0	32 400	32 000	30 000	32 400	32 000	30 000	42,0
44,0	72,0	110,3	31 600	31 300	29 700	31 600	31 300	29 700	44,0
46,0	71,0	109,4	30 900	30 500	29 500	30 900	30 500	29 500	46,0
48,0	69,9	108,6	30 200	29 900	29 200	30 200	29 900	29 200	48,0
50,0	68,8	107,7	29 500	29 200	28 600	29 500	29 200	28 600	50,0
52,0	67,7	106,7	28 900	28 600	28 100	28 900	28 600	28 100	52,0
54,0	66,6	105,7	28 300	28 000	27 500	28 300	28 000	27 500	54,0
56,0	65,5	104,7	27 700	27 400	27 000	27 700	27 400	27 000	56,0
58,0	64,3	103,6	27 200	26 900	26 500	27 200	26 900	26 500	58,0
60,0	63,2	102,4	26 700	26 400	26 000	26 700	26 400	26 000	60,0
62,0	62,0	101,2	26 200	25 900	25 500	26 200	25 900	25 500	62,0
64,0	60,9	100,0	25 700	25 400	25 100	25 700	25 400	25 100	64,0
66,0	59,7	98,6	25 300	25 000	24 600	25 300	25 000	24 600	66,0
68,0	58,5	97,3	24 800	24 600	24 200	24 800	24 600	24 200	68,0
70,0	57,2	95,8	24 400	24 200	23 800	24 400	24 200	23 800	70,0
74,0	54,7	92,7	22 300	20 600	19 000	23 600	23 400	23 100	74,0
78,0	52,1	89,3	18 200	16 700	15 300	22 900	22 700	22 500	78,0
82,0	49,4	85,6	14 500	13 200	11 900	22 300	22 100	21 900	82,0
86,0	46,5	81,5	11 100	9 900	8 800	21 700	21 500	21 300	86,0
90,0	43,5	77,0	8 000	7 000	6 000	21 100	21 000	20 800	90,0
94,0	40,3	71,9	5 100	4 200	3 400	20 600	20 500	20 400	94,0
98,0	36,8	66,2				20 200	20 100	20 000	98,0
102,0	33,0	59,6				19 800	19 800	19 700	102,0
106,0	28,7	51,8				19 500	19 500	19 400	106,0
110,0									110,0

MLC650 VPC-MAX S-2



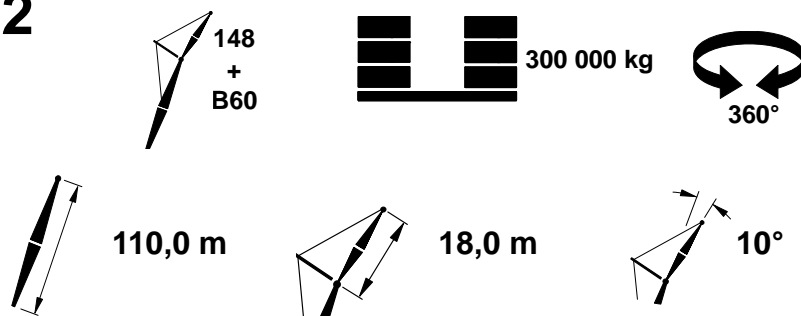
m	°	m	11,8 m			18,3 m			m
			0°	1°	2°	0°	1°	2°	
			kg	kg	kg	kg	kg	kg	
21,3	82,8	123,5	47 800			47 800			21,3
22,0	82,5	123,4	47 600			47 600			22,0
24,0	81,6	123,0	46 800			46 800			24,0
26,0	80,6	122,6	46 100	40 100	35 700	46 100	40 100	35 700	26,0
28,0	79,6	122,2	45 400	39 600	35 300	45 400	39 600	35 300	28,0
30,0	78,7	121,8	44 700	39 100	34 900	44 700	39 100	34 900	30,0
32,0	77,7	121,3	44 000	38 600	34 500	44 000	38 600	34 500	32,0
34,0	76,7	120,7	43 300	38 100	34 100	43 300	38 100	34 100	34,0
36,0	75,8	120,2	42 700	37 700	33 800	42 700	37 700	33 800	36,0
38,0	74,8	119,5	42 100	37 200	33 400	42 100	37 200	33 400	38,0
40,0	73,8	118,9	41 500	36 700	33 000	41 500	36 700	33 000	40,0
42,0	72,8	118,2	40 900	36 300	32 700	40 900	36 300	32 700	42,0
44,0	71,8	117,5	40 400	35 900	32 300	40 400	35 900	32 300	44,0
46,0	70,8	116,7	39 900	35 400	32 000	39 900	35 400	32 000	46,0
48,0	69,8	115,9	39 300	35 100	31 700	39 300	35 100	31 700	48,0
50,0	68,8	115,1	38 800	34 700	31 400	38 800	34 700	31 400	50,0
52,0	67,7	114,2	38 400	34 300	31 100	38 400	34 300	31 100	52,0
54,0	66,7	113,3	37 900	33 900	30 800	37 900	33 900	30 800	54,0
56,0	65,6	112,3	37 200	33 600	30 500	37 200	33 600	30 500	56,0
58,0	64,6	111,3	36 300	33 200	30 200	36 300	33 200	30 200	58,0
60,0	63,5	110,2	35 400	32 900	29 900	35 400	32 900	29 900	60,0
62,0	62,5	109,1	34 600	32 500	29 700	34 600	32 500	29 700	62,0
64,0	61,4	107,9	33 800	32 200	29 400	33 800	32 200	29 400	64,0
66,0	60,3	106,7	32 700	30 700	28 300	33 000	31 900	29 100	66,0
68,0	59,2	105,4	30 500	28 200	25 900	32 300	31 600	28 900	68,0
70,0	58,0	104,1	28 000	25 800	23 700	31 600	31 100	28 700	70,0
74,0	55,7	101,3	23 300	21 400	19 600	30 300	29 900	28 200	74,0
78,0	53,4	98,2	19 200	17 500	15 900	29 200	28 700	27 800	78,0
82,0	50,9	94,8	15 400	13 900	12 500	28 100	27 700	27 300	82,0
86,0	48,4	91,2	12 000	10 700	9 400	27 100	26 700	26 400	86,0
90,0	45,7	87,1	8 800	7 700	6 600	26 200	25 800	25 500	90,0
94,0	42,9	82,7	5 900	4 900	4 000	25 300	25 000	24 800	94,0
98,0	39,9	77,8				24 500	24 300	24 100	98,0
102,0	36,7	72,3				23 800	23 600	23 400	102,0
106,0	33,3	66,1				23 200	23 000	22 900	106,0
110,0	29,4	59,0				22 600	22 500	22 300	110,0
114,0	25,0	50,4				21 500	21 200	20 300	114,0

MLC650 VPC-MAX S-2



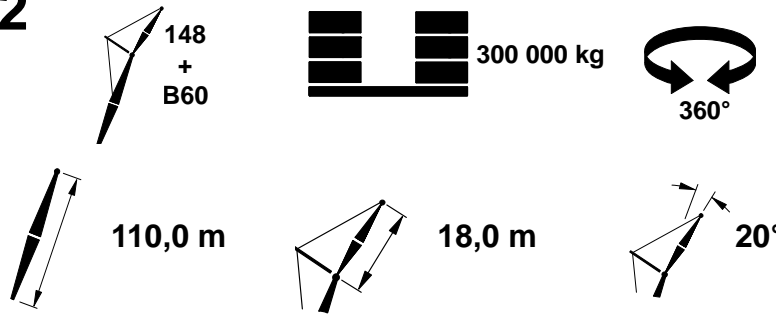
m	°	m	11,8 m			18,3 m			m
			0° kg	1° kg	2° kg	0° kg	1° kg	2° kg	
21,3									21,3
22,0									22,0
24,0									24,0
26,0	81,8	121,9	40 300	35 800		40 300	35 800		26,0
28,0	80,9	121,4	39 700	35 400		39 700	35 400		28,0
30,0	79,9	121,0	38 600	35 000	31 600	38 600	35 000	31 600	30,0
32,0	78,9	120,5	37 600	34 700	31 300	37 600	34 700	31 300	32,0
34,0	78,0	119,9	36 600	34 300	31 100	36 600	34 300	31 100	34,0
36,0	77,0	119,4	35 600	34 000	30 800	35 600	34 000	30 800	36,0
38,0	76,0	118,7	34 700	33 600	30 500	34 700	33 600	30 500	38,0
40,0	75,0	118,1	33 900	33 300	30 300	33 900	33 300	30 300	40,0
42,0	74,0	117,4	33 100	32 700	30 000	33 100	32 700	30 000	42,0
44,0	73,0	116,7	32 300	31 900	29 800	32 300	31 900	29 800	44,0
46,0	72,0	115,9	31 600	31 200	29 500	31 600	31 200	29 500	46,0
48,0	71,0	115,1	30 900	30 500	29 300	30 900	30 500	29 300	48,0
50,0	69,9	114,2	30 200	29 900	29 100	30 200	29 900	29 100	50,0
52,0	68,9	113,4	29 600	29 300	28 700	29 600	29 300	28 700	52,0
54,0	67,8	112,4	29 000	28 700	28 100	29 000	28 700	28 100	54,0
56,0	66,8	111,4	28 400	28 100	27 600	28 400	28 100	27 600	56,0
58,0	65,7	110,4	27 900	27 600	27 100	27 900	27 600	27 100	58,0
60,0	64,7	109,3	27 400	27 100	26 600	27 400	27 100	26 600	60,0
62,0	63,6	108,2	26 900	26 600	26 100	26 900	26 600	26 100	62,0
64,0	62,5	107,0	26 400	26 100	25 700	26 400	26 100	25 700	64,0
66,0	61,4	105,8	25 900	25 600	25 300	25 900	25 600	25 300	66,0
68,0	60,2	104,5	25 500	25 200	24 800	25 500	25 200	24 800	68,0
70,0	59,1	103,2	25 100	24 800	24 500	25 100	24 800	24 500	70,0
74,0	56,8	100,3	24 200	22 700	20 900	24 300	24 000	23 700	74,0
78,0	54,4	97,2	20 400	18 700	17 000	23 600	23 300	23 000	78,0
82,0	51,9	93,8	16 500	15 000	13 500	22 900	22 700	22 400	82,0
86,0	49,3	90,1	12 900	11 600	10 300	22 300	22 100	21 900	86,0
90,0	46,6	86,0	9 700	8 500	7 400	21 700	21 500	21 300	90,0
94,0	43,8	81,5	6 700	5 700	4 700	21 200	21 000	20 900	94,0
98,0	40,8	76,6	3 900			20 700	20 600	20 500	98,0
102,0	37,5	71,0				20 300	20 200	20 100	102,0
106,0	34,0	64,6				19 900	19 900	19 800	106,0
110,0	30,0	57,3				19 600	19 600	19 500	110,0
114,0									114,0

MLC650 VPC-MAX S-2



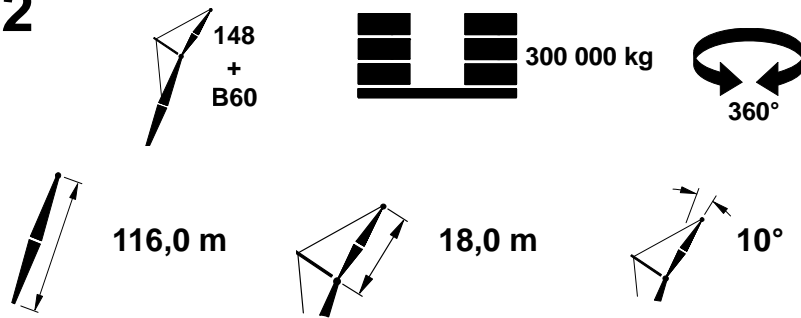
			11,8 m			18,3 m			
m	°	m	kg	kg	kg	kg	kg	kg	m
22,9	82,5	129,3	47 100			47 100			22,9
24,0	82,0	129,1	46 700			46 700			24,0
26,0	81,0	128,8	46 000	40 000		46 000	40 000		26,0
28,0	80,1	128,4	45 400	39 500	35 100	45 400	39 500	35 100	28,0
30,0	79,2	127,9	44 700	39 000	34 700	44 700	39 000	34 700	30,0
32,0	78,3	127,4	44 100	38 500	34 400	44 100	38 500	34 400	32,0
34,0	77,4	126,9	43 500	38 100	34 000	43 500	38 100	34 000	34,0
36,0	76,4	126,4	42 900	37 600	33 600	42 900	37 600	33 600	36,0
38,0	75,5	125,8	42 300	37 200	33 300	42 300	37 200	33 300	38,0
40,0	74,6	125,2	41 700	36 700	33 000	41 700	36 700	33 000	40,0
42,0	73,6	124,6	41 100	36 300	32 600	41 100	36 300	32 600	42,0
44,0	72,7	123,9	40 600	35 900	32 300	40 600	35 900	32 300	44,0
46,0	71,7	123,2	40 100	35 500	32 000	40 100	35 500	32 000	46,0
48,0	70,8	122,4	39 600	35 200	31 700	39 600	35 200	31 700	48,0
50,0	69,8	121,6	39 100	34 800	31 400	39 100	34 800	31 400	50,0
52,0	68,8	120,8	38 600	34 400	31 100	38 600	34 400	31 100	52,0
54,0	67,9	119,9	38 200	34 100	30 800	38 200	34 100	30 800	54,0
56,0	66,9	119,0	37 700	33 700	30 600	37 700	33 700	30 600	56,0
58,0	65,9	118,0	37 100	33 400	30 300	37 100	33 400	30 300	58,0
60,0	64,9	117,0	36 300	33 100	30 000	36 300	33 100	30 000	60,0
62,0	63,9	115,9	35 400	32 800	29 800	35 400	32 800	29 800	62,0
64,0	62,9	114,8	33 600	30 800	28 100	34 600	32 400	29 500	64,0
66,0	61,8	113,7	30 800	28 100	25 600	33 900	32 100	29 300	66,0
68,0	60,8	112,5	28 100	25 600	23 300	33 100	31 900	29 100	68,0
70,0	59,7	111,3	25 600	23 300	21 100	32 400	31 600	28 800	70,0
74,0	57,6	108,6	21 000	18 900	17 000	31 100	30 900	28 400	74,0
78,0	55,4	105,8	16 800	15 000	13 300	29 900	29 700	28 000	78,0
82,0	53,1	102,7	13 000	11 400	9 900	28 800	28 600	27 600	82,0
86,0	50,8	99,3	9 600	8 200	6 800	27 800	27 600	27 200	86,0
90,0	48,3	95,6	6 500	5 200	4 000	26 900	26 700	26 400	90,0
94,0	45,8	91,6	3 600			26 100	25 900	25 600	94,0
98,0	43,2	87,3				25 300	25 100	24 800	98,0
102,0	40,4	82,4				24 500	24 400	24 200	102,0
106,0	37,4	77,1				23 900	23 700	23 100	106,0
110,0	34,1	71,1				22 200	21 800	20 700	110,0
114,0	30,6	64,2				19 700	19 400	18 400	114,0
118,0	26,6	56,2				17 500	17 200	16 300	118,0
122,0	21,8	46,4				15 300	15 100	14 300	122,0

MLC650 VPC-MAX S-2



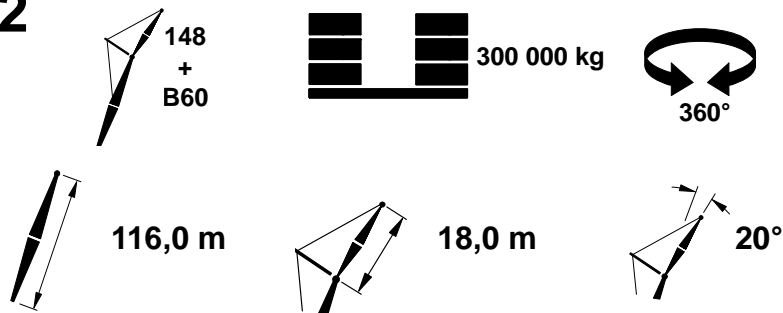
m	°	m	11,8 m			18,3 m			m
			0° kg	1° kg	2° kg	0° kg	1° kg	2° kg	
22,9									22,9
24,0									24,0
26,0	82,2	128,0	40 300			40 300			26,0
28,0	81,3	127,6	39 800			39 800			28,0
30,0	80,4	127,1	39 100			39 100			30,0
32,0	79,5	126,7	38 000			38 000			32,0
34,0	78,5	126,1	37 100			37 100			34,0
36,0	77,6	125,6	36 100			36 100			36,0
38,0	76,7	125,0	35 200			35 200			38,0
40,0	75,7	124,4	34 400			34 400			40,0
42,0	74,8	123,7	33 600			33 600			42,0
44,0	73,8	123,1	32 800			32 800			44,0
46,0	72,9	122,3	32 100			32 100			46,0
48,0	71,9	121,6	31 400			31 400			48,0
50,0	70,9	120,8	30 800			30 800			50,0
52,0	70,0	119,9	30 200			30 200			52,0
54,0	69,0	119,0	29 600			29 600			54,0
56,0	68,0	118,1	29 000			29 000			56,0
58,0	67,0	117,1	28 400			28 400			58,0
60,0	66,0	116,1	27 900			27 900			60,0
62,0	65,0	115,1	27 400			27 400			62,0
64,0	63,9	114,0	26 900			26 900			64,0
66,0	62,9	112,8	26 500			26 500			66,0
68,0	61,8	111,6	26 000			26 000			68,0
70,0	60,8	110,4	25 600			25 600			70,0
74,0	58,6	107,7	22 400			24 800			74,0
78,0	56,4	104,8	18 100			24 100			78,0
82,0	54,1	101,7	14 200			23 400			82,0
86,0	51,7	98,3	10 700			22 800			86,0
90,0	49,3	94,6	7 400			22 200			90,0
94,0	46,7	90,5	4 500			21 600			94,0
98,0	44,0	86,1				21 200			98,0
102,0	41,2	81,2				20 700			102,0
106,0	38,1	75,7				20 300			106,0
110,0	34,8	69,6				20 000			110,0
114,0	31,2	62,6				19 700			114,0
118,0									118,0
122,0									122,0

MLC650 VPC-MAX S-2



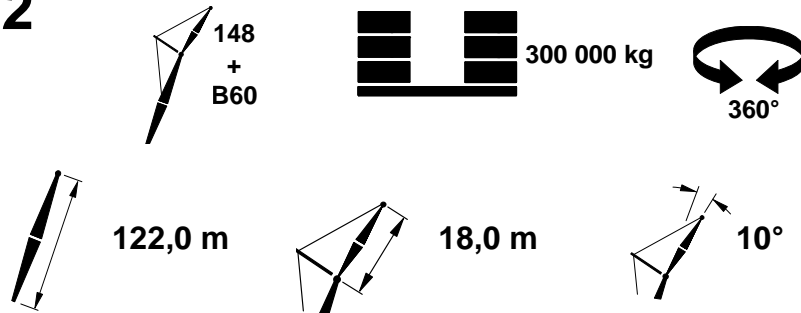
m	°	m	11,8 m			18,3 m			m
			0°	1°	2°	0°	1°	2°	
			kg	kg	kg	kg	kg	kg	
22,9	82,8	135,4	47 000			47 000			22,9
24,0	82,3	135,2	46 600			46 600			24,0
26,0	81,4	134,9	45 900	39 700		45 900	39 700		26,0
28,0	80,6	134,5	45 300	39 300	34 800	45 300	39 300	34 800	28,0
30,0	79,7	134,1	44 700	38 800	34 500	44 700	38 800	34 500	30,0
32,0	78,8	133,6	44 100	38 400	34 100	44 100	38 400	34 100	32,0
34,0	77,9	133,1	43 500	37 900	33 800	43 500	37 900	33 800	34,0
36,0	77,1	132,6	42 900	37 500	33 500	42 900	37 500	33 500	36,0
38,0	76,2	132,1	42 400	37 100	33 200	42 400	37 100	33 200	38,0
40,0	75,3	131,5	41 800	36 700	32 800	41 800	36 700	32 800	40,0
42,0	74,4	130,9	41 300	36 300	32 600	41 300	36 300	32 600	42,0
44,0	73,5	130,2	40 800	36 000	32 200	40 800	36 000	32 200	44,0
46,0	72,6	129,5	40 300	35 600	32 000	40 300	35 600	32 000	46,0
48,0	71,7	128,8	39 800	35 200	31 700	39 800	35 200	31 700	48,0
50,0	70,8	128,1	39 400	34 900	31 400	39 400	34 900	31 400	50,0
52,0	69,8	127,3	38 900	34 500	31 100	38 900	34 500	31 100	52,0
54,0	68,9	126,4	38 500	34 200	30 900	38 500	34 200	30 900	54,0
56,0	68,0	125,6	38 000	33 800	30 600	38 000	33 800	30 600	56,0
58,0	67,0	124,7	37 600	33 500	30 300	37 600	33 500	30 300	58,0
60,0	66,1	123,7	37 100	33 200	30 100	37 100	33 200	30 100	60,0
62,0	65,1	122,7	36 100	32 700	29 700	36 300	32 900	29 800	62,0
64,0	64,2	121,7	33 400	30 400	27 600	35 500	32 600	29 600	64,0
66,0	63,2	120,6	30 600	27 800	25 100	34 700	32 400	29 400	66,0
68,0	62,2	119,5	27 900	25 300	22 800	34 000	32 100	29 200	68,0
70,0	61,2	118,3	25 400	22 900	20 600	33 300	31 800	28 900	70,0
74,0	59,2	115,8	20 800	18 600	16 500	32 000	31 300	28 500	74,0
78,0	57,2	113,2	16 600	14 700	12 900	30 800	30 500	28 200	78,0
82,0	55,1	110,3	12 800	11 100	9 500	29 700	29 400	27 800	82,0
86,0	52,9	107,2	9 400	7 900	6 500	28 600	28 400	27 500	86,0
90,0	50,7	103,8	6 300	5 000		27 700	27 500	27 100	90,0
94,0	48,3	100,1	3 400			26 800	26 600	26 400	94,0
98,0	45,9	96,1				26 000	25 800	25 600	98,0
102,0	43,4	91,8				25 300	25 100	24 900	102,0
106,0	40,8	87,1				24 400	24 100	22 800	106,0
110,0	37,9	81,8				22 000	21 600	20 400	110,0
114,0	34,9	76,0				19 600	19 300	18 200	114,0
118,0	31,6	69,4				17 400	17 000	16 100	118,0
122,0	28,0	61,8				15 300	15 000	14 100	122,0
126,0	23,7	52,8				13 300	13 000	12 300	126,0

MLC650 VPC-MAX S-2



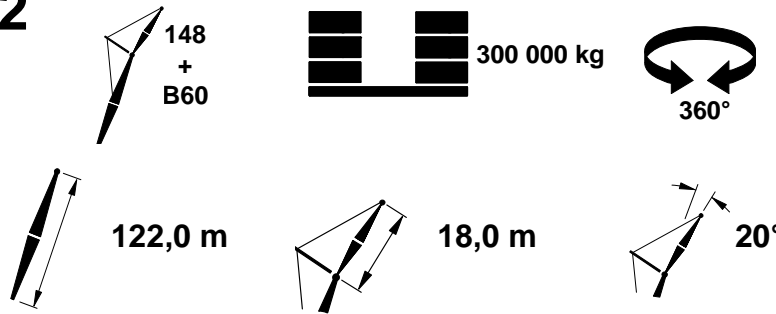
m	°	m	11,8 m			18,3 m			m
			0° kg	1° kg	2° kg	0° kg	1° kg	2° kg	
22,9									22,9
24,0									24,0
26,0	82,6	134,1	40 300			40 300			26,0
28,0	81,7	133,7	39 800			39 800			28,0
30,0	80,8	133,3	39 400			39 400			30,0
32,0	80,0	132,8	38 500			38 500			32,0
34,0	79,1	132,3	37 500			37 500			34,0
36,0	78,2	131,8	36 600			36 600			36,0
38,0	77,3	131,3	35 800			35 800			38,0
40,0	76,4	130,7	34 900			34 900			40,0
42,0	75,5	130,1	34 100			34 100			42,0
44,0	74,6	129,4	33 400			33 400			44,0
46,0	73,7	128,7	32 700			32 700			46,0
48,0	72,8	128,0	32 000			32 000			48,0
50,0	71,8	127,2	31 300			31 300			50,0
52,0	70,9	126,4	30 700			30 700			52,0
54,0	70,0	125,6	30 100			30 100			54,0
56,0	69,0	124,7	29 500			29 500			56,0
58,0	68,1	123,8	29 000			29 000			58,0
60,0	67,1	122,8	28 500			28 500			60,0
62,0	66,2	121,8	27 900			27 900			62,0
64,0	65,2	120,8	27 500			27 500			64,0
66,0	64,2	119,7	27 000			27 000			66,0
68,0	63,2	118,6	26 600			26 600			68,0
70,0	62,3	117,4	26 100			26 100			70,0
74,0	60,2	114,9	22 300			25 300			74,0
78,0	58,1	112,2	18 000			24 600			78,0
82,0	56,0	109,3	14 100			23 900			82,0
86,0	53,8	106,1	10 600			23 200			86,0
90,0	51,6	102,7	7 300			22 700			90,0
94,0	49,2	99,0	4 400			22 100			94,0
98,0	46,8	95,0				21 600			98,0
102,0	44,2	90,6				21 200			102,0
106,0	41,5	85,8				20 700			106,0
110,0	38,7	80,5				20 300			110,0
114,0	35,6	74,5				19 800			114,0
118,0	32,2	67,8				17 600			118,0
122,0									122,0
126,0									126,0

MLC650 VPC-MAX S-2



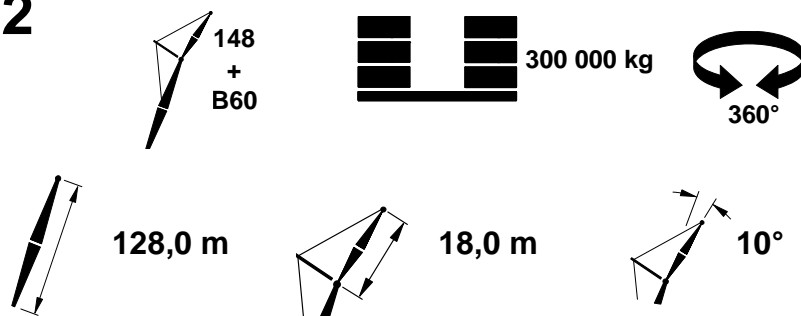
m	°	m	11,8 m			18,3 m			m
			0°	1°	2°	0°	1°	2°	
			kg	kg	kg	kg	kg	kg	
24,4	82,5	141,2	46 300			46 300			24,4
26,0	81,8	141,0	45 800	39 400		45 800	39 400		26,0
28,0	81,0	140,6	45 200	39 000		45 200	39 000		28,0
30,0	80,2	140,2	44 600	38 600	34 200	44 600	38 600	34 200	30,0
32,0	79,3	139,8	44 000	38 200	33 800	44 000	38 200	33 800	32,0
34,0	78,5	139,3	43 500	37 800	33 500	43 500	37 800	33 500	34,0
36,0	77,6	138,8	42 900	37 400	33 200	42 900	37 400	33 200	36,0
38,0	76,8	138,3	42 400	37 000	32 900	42 400	37 000	32 900	38,0
40,0	75,9	137,7	41 900	36 600	32 700	41 900	36 600	32 700	40,0
42,0	75,1	137,2	41 400	36 200	32 400	41 400	36 200	32 400	42,0
44,0	74,2	136,5	40 900	35 900	32 100	40 900	35 900	32 100	44,0
46,0	73,4	135,9	40 400	35 500	31 800	40 400	35 500	31 800	46,0
48,0	72,5	135,2	40 000	35 200	31 600	40 000	35 200	31 600	48,0
50,0	71,6	134,5	39 500	34 900	31 300	39 500	34 900	31 300	50,0
52,0	70,8	133,7	39 100	34 500	31 000	39 100	34 500	31 000	52,0
54,0	69,9	132,9	38 700	34 200	30 800	38 700	34 200	30 800	54,0
56,0	69,0	132,1	38 300	33 900	30 500	38 300	33 900	30 500	56,0
58,0	68,1	131,2	37 900	33 600	30 300	37 900	33 600	30 300	58,0
60,0	67,2	130,3	36 900	33 000	29 700	37 500	33 300	30 100	60,0
62,0	66,3	129,4	34 200	30 800	27 600	37 100	33 000	29 800	62,0
64,0	65,4	128,4	31 200	28 000	25 000	36 500	32 800	29 600	64,0
66,0	64,5	127,4	28 300	25 300	22 500	35 700	32 500	29 400	66,0
68,0	63,5	126,3	25 600	22 800	20 200	35 000	32 200	29 200	68,0
70,0	62,6	125,2	23 100	20 500	18 000	34 300	32 000	29 000	70,0
74,0	60,7	122,9	18 500	16 100	14 000	32 900	31 500	28 600	74,0
78,0	58,8	120,4	14 300	12 200	10 300	31 700	31 000	28 200	78,0
82,0	56,8	117,7	10 500	8 700	7 000	30 600	30 300	27 900	82,0
86,0	54,8	114,8	7 100	5 500	3 900	29 500	29 300	27 600	86,0
90,0	52,7	111,6	4 000			28 600	28 300	27 300	90,0
94,0	50,6	108,2				27 700	27 500	27 000	94,0
98,0	48,3	104,6				26 800	26 600	26 200	98,0
102,0	46,0	100,6				25 500	25 000	23 400	102,0
106,0	43,6	96,3				22 700	22 300	20 900	106,0
110,0	41,1	91,6				20 200	19 800	18 500	110,0
114,0	38,4	86,5				17 800	17 400	16 200	114,0
118,0	35,6	80,8				15 600	15 200	14 200	118,0
122,0	32,5	74,5				13 500	13 200	12 200	122,0
126,0	29,1	67,2				11 500	11 200	10 400	126,0
130,0	25,3	58,8				9 600	9 400	8 600	130,0
134,0	20,8	48,4				7 900	7 600	7 000	134,0

MLC650 VPC-MAX S-2



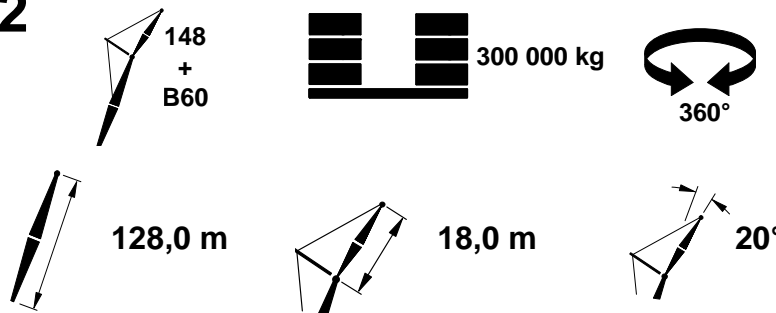
m	°	m	11,8 m			18,3 m			m
			0°	1°	2°	0°	1°	2°	
			kg	kg	kg	kg	kg	kg	
24,4									24,4
26,0									26,0
28,0	82,9	140,2	40 100			40 100			28,0
30,0	82,1	139,8	39 700			39 700			30,0
32,0	81,2	139,4	39 300	34 600		39 300	34 600		32,0
	80,4	138,9	38 900	34 300	30 800	38 900	34 300	30 800	
34,0	79,6	138,5	38 000	34 000	30 500	38 000	34 000	30 500	34,0
36,0	78,7	138,0	37 100	33 700	30 300	37 100	33 700	30 300	36,0
38,0	77,9	137,5	36 300	33 400	30 100	36 300	33 400	30 100	38,0
40,0	77,0	136,9	35 500	33 200	29 900	35 500	33 200	29 900	40,0
42,0	76,1	136,3	34 700	32 900	29 700	34 700	32 900	29 700	42,0
44,0	75,3	135,7	33 900	32 700	29 500	33 900	32 700	29 500	44,0
46,0	74,4	135,1	33 200	32 400	29 300	33 200	32 400	29 300	46,0
48,0	73,5	134,4	32 500	32 200	29 100	32 500	32 200	29 100	48,0
50,0	72,7	133,6	31 900	31 700	28 900	31 900	31 700	28 900	50,0
52,0	71,8	132,9	31 300	31 100	28 800	31 300	31 100	28 800	52,0
54,0	70,9	132,1	30 700	30 500	28 600	30 700	30 500	28 600	54,0
56,0	70,0	131,2	30 100	30 000	28 400	30 100	30 000	28 400	56,0
58,0	69,1	130,4	29 600	29 400	28 200	29 600	29 400	28 200	58,0
60,0	68,2	129,5	29 000	28 900	28 100	29 000	28 900	28 100	60,0
62,0	67,3	128,5	28 500	28 400	27 900	28 500	28 400	27 900	62,0
64,0	66,4	127,5	28 100	27 900	26 900	28 100	27 900	27 800	64,0
66,0	65,5	126,5	27 600	27 000	24 400	27 600	27 500	27 300	66,0
68,0	64,5	125,5	27 000	24 600	22 000	27 100	27 000	26 900	68,0
70,0	63,6	124,3	24 900	22 200	19 700	26 700	26 600	26 500	70,0
74,0	61,7	122,0	20 100	17 700	15 500	25 900	25 800	25 700	74,0
78,0	59,7	119,5	15 800	13 700	11 700	25 100	25 000	24 900	78,0
82,0	57,7	116,7	11 900	10 000	8 300	24 400	24 300	24 300	82,0
86,0	55,7	113,8	8 300	6 700	5 100	23 800	23 700	23 600	86,0
90,0	53,6	110,6	5 100			23 200	23 100	23 000	90,0
94,0	51,4	107,2				22 600	22 600	22 500	94,0
98,0	49,2	103,5				22 100	22 000	22 000	98,0
102,0	46,9	99,5				21 600	21 600	21 500	102,0
106,0	44,4	95,1				21 200	21 100	21 000	106,0
110,0	41,9	90,4				20 700	20 300	18 900	110,0
114,0	39,2	85,2				18 200	17 800	16 600	114,0
118,0	36,3	79,4				15 900	15 600	14 500	118,0
122,0	33,1	72,9				13 800	13 400	12 500	122,0
126,0	29,7	65,5				11 700	11 400	10 600	126,0
130,0									130,0
134,0									134,0

MLC650 VPC-MAX S-2



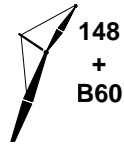
m	°	m	11,8 m			18,3 m			m
			0°	1°	2°	0°	1°	2°	
			kg	kg	kg	kg	kg	kg	
24,4	82,8	147,3	45 900			45 900			24,4
26,0	82,2	147,0	45 400			45 400			26,0
28,0	81,4	146,7	44 900	38 600		44 900	38 600		28,0
30,0	80,6	146,3	44 300	38 200	31 800	44 300	38 200	31 800	30,0
32,0	79,8	145,9	43 800	37 800	31 800	43 800	37 800	31 800	32,0
34,0	79,0	145,4	43 300	37 500	31 800	43 300	37 500	31 800	34,0
36,0	78,2	145,0	42 800	37 100	31 800	42 800	37 100	31 800	36,0
38,0	77,3	144,5	42 300	36 700	31 800	42 300	36 700	31 800	38,0
40,0	76,5	143,9	41 800	36 400	31 800	41 800	36 400	31 800	40,0
42,0	75,7	143,4	41 400	36 100	31 800	41 400	36 100	31 800	42,0
44,0	74,9	142,8	40 900	35 700	31 800	40 900	35 700	31 800	44,0
46,0	74,1	142,2	40 500	35 400	31 600	40 500	35 400	31 600	46,0
48,0	73,2	141,5	40 000	35 100	31 400	40 000	35 100	31 400	48,0
50,0	72,4	140,8	39 600	34 800	31 100	39 600	34 800	31 100	50,0
52,0	71,6	140,1	39 200	34 400	30 900	39 200	34 400	30 900	52,0
54,0	70,7	139,3	38 800	34 200	30 600	38 800	34 200	30 600	54,0
56,0	69,9	138,6	38 400	33 900	30 400	38 400	33 900	30 400	56,0
58,0	69,1	137,7	38 000	33 600	30 200	38 000	33 600	30 200	58,0
60,0	68,2	136,9	36 900	32 800	29 400	37 600	33 300	30 000	60,0
62,0	67,3	136,0	33 900	30 200	26 900	37 300	33 100	29 800	62,0
64,0	66,5	135,1	30 800	27 400	24 300	36 900	32 800	29 600	64,0
66,0	65,6	134,1	27 900	24 800	21 900	36 500	32 500	29 400	66,0
68,0	64,7	133,1	25 300	22 300	19 600	35 900	32 300	29 200	68,0
70,0	63,8	132,0	22 700	20 000	17 400	35 200	32 000	29 000	70,0
74,0	62,0	129,8	18 100	15 600	13 300	33 800	31 600	28 600	74,0
78,0	60,2	127,5	13 900	11 700	9 700	32 600	31 100	28 300	78,0
82,0	58,4	124,9	10 100	8 200	6 400	31 400	30 700	27 900	82,0
86,0	56,5	122,2	6 700	5 000		30 400	30 100	27 600	86,0
90,0	54,5	119,2				29 400	29 200	27 300	90,0
94,0	52,5	116,1				28 500	28 200	27 000	94,0
98,0	50,4	112,7				27 600	27 300	25 700	98,0
102,0	48,3	109,0				25 100	24 600	22 900	102,0
106,0	46,1	105,1				22 400	21 900	20 400	106,0
110,0	43,8	100,8				19 800	19 400	18 000	110,0
114,0	41,4	96,2				17 500	17 100	15 800	114,0
118,0	38,9	91,1				15 200	14 900	13 700	118,0
122,0	36,2	85,6				13 200	12 800	11 800	122,0
126,0	33,3	79,4				11 200	10 900	9 900	126,0
130,0	30,2	72,4				9 400	9 100	8 200	130,0
134,0	26,7	64,5				7 600	7 300	6 600	134,0
138,0	22,6	55,0				5 800	5 700	5 000	138,0

MLC650 VPC-MAX S-2

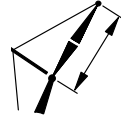


m	°	m	11,8 m			18,3 m			m
			0° kg	1° kg	2° kg	0° kg	1° kg	2° kg	
24,4									24,4
26,0									26,0
28,0	82,4	145,9	39 500			39 500			28,0
30,0	81,6	145,5	39 100			39 100			30,0
32,0	80,8	145,1	38 700			38 700			32,0
34,0	80,0	144,6	38 300	34 000	30 400	38 300	34 000	30 400	34,0
36,0	79,2	144,2	37 600	33 800	30 100	37 600	33 800	30 100	36,0
38,0	78,4	143,7	36 700	33 300	29 900	36 700	33 300	29 900	38,0
40,0	77,6	143,1	36 000	33 000	29 700	36 000	33 000	29 700	40,0
42,0	76,7	142,6	35 200	32 800	29 500	35 200	32 800	29 500	42,0
44,0	75,9	142,0	34 400	32 500	29 300	34 400	32 500	29 300	44,0
46,0	75,1	141,3	33 700	32 300	29 100	33 700	32 300	29 100	46,0
48,0	74,2	140,7	33 100	32 100	29 000	33 100	32 100	29 000	48,0
50,0	73,4	140,0	32 400	31 900	28 800	32 400	31 900	28 800	50,0
52,0	72,6	139,3	31 800	31 600	28 600	31 800	31 600	28 600	52,0
54,0	71,7	138,5	31 200	31 000	28 400	31 200	31 000	28 400	54,0
56,0	70,9	137,7	30 700	30 500	28 300	30 700	30 500	28 300	56,0
58,0	70,0	136,9	30 100	29 900	28 100	30 100	29 900	28 100	58,0
60,0	69,2	136,0	29 600	29 400	28 000	29 600	29 400	28 000	60,0
62,0	68,3	135,1	29 100	28 900	27 800	29 100	28 900	27 800	62,0
64,0	67,4	134,2	28 600	28 500	26 200	28 600	28 500	27 700	64,0
66,0	66,6	133,2	28 100	26 700	23 700	28 100	28 000	27 500	66,0
68,0	65,7	132,2	27 000	24 200	21 300	27 700	27 600	27 400	68,0
70,0	64,8	131,1	24 600	21 700	19 100	27 300	27 100	27 000	70,0
74,0	63,0	128,9	19 800	17 300	14 900	26 400	26 300	26 200	74,0
78,0	61,1	126,5	15 400	13 200	11 100	25 700	25 600	25 500	78,0
82,0	59,3	124,0	11 500	9 600	7 700	25 000	24 900	24 800	82,0
86,0	57,3	121,2	8 000	6 200	4 600	24 300	24 200	24 100	86,0
90,0	55,4	118,2	4 800			23 700	23 600	23 500	90,0
94,0	53,4	115,1				23 100	23 000	23 000	94,0
98,0	51,3	111,6				22 600	22 500	22 500	98,0
102,0	49,1	107,9				22 100	22 000	22 000	102,0
106,0	46,9	103,9				21 600	21 600	21 000	106,0
110,0	44,6	99,6				20 400	19 900	18 500	110,0
114,0	42,1	94,9				17 900	17 500	16 200	114,0
118,0	39,6	89,8				15 700	15 300	14 100	118,0
122,0	36,8	84,2				13 500	13 200	12 100	122,0
126,0	33,9	77,9				11 500	11 200	10 200	126,0
130,0	30,7	70,8				9 600	9 300	8 400	130,0
134,0									134,0
138,0									138,0

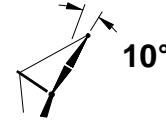
MLC650 VPC-MAX S-2



44,0 m



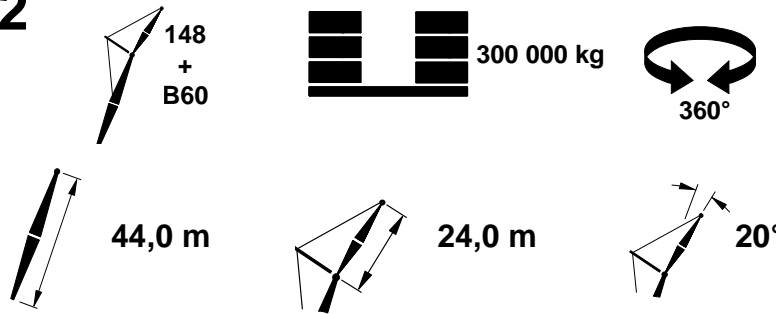
24,0 m



10°

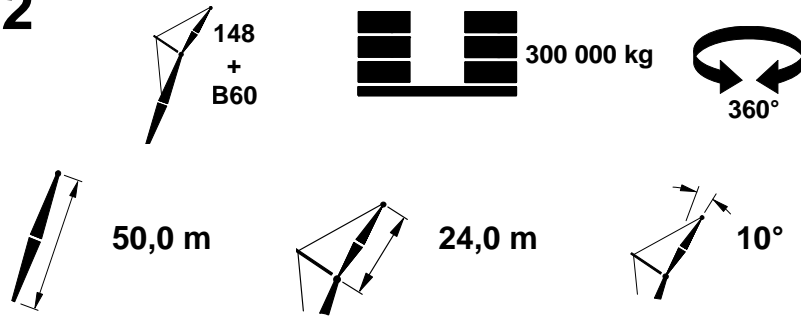
m	°	m	11,8 m			18,3 m			m
			0°	1°	2°	0°	1°	2°	
			kg	kg	kg	kg	kg	kg	
16,8	81,8	69,5	37 300b	32 000b		37 300b	32 000b		16,8
18,0	80,7	69,2	36 500b	31 400b		36 500b	31 400b		18,0
20,0	79,0	68,6	35 300	30 500	26 900b	35 300	30 500	26 900b	20,0
22,0	77,2	68,0	34 200	29 700	26 200	34 200	29 700	26 200	22,0
24,0	75,5	67,4	33 100	28 900	25 600	33 100	28 900	25 600	24,0
26,0	73,7	66,6	32 200	28 100	25 000	32 200	28 100	25 000	26,0
28,0	71,9	65,8	31 200	27 400	24 400	31 200	27 400	24 400	28,0
30,0	70,0	64,9	30 400	26 700	23 900	30 400	26 700	23 900	30,0
32,0	68,2	64,0	29 200	26 100	23 400	29 200	26 100	23 400	32,0
34,0	66,3	62,9	27 700	25 500	22 900	27 700	25 500	22 900	34,0
36,0	64,3	61,8	26 400	24 900	22 400	26 400	24 900	22 400	36,0
38,0	62,4	60,6	25 200	24 400	22 000	25 200	24 400	22 000	38,0
40,0	60,3	59,3	24 100	23 800	21 600	24 100	23 800	21 600	40,0
42,0	58,3	57,8	23 000	22 900	21 200	23 000	22 900	21 200	42,0
44,0	56,1	56,3	22 100	21 900	20 800	22 100	21 900	20 800	44,0
46,0	54,0	54,6	21 200	21 100	20 400	21 200	21 100	20 400	46,0
48,0	51,7	52,8	20 400	20 300	20 000	20 400	20 300	20 000	48,0
50,0	49,3	50,9	19 700	19 600	19 500	19 700	19 600	19 500	50,0
52,0	46,9	48,8	19 000	18 900	18 800	19 000	18 900	18 800	52,0
54,0	44,3	46,5	18 400	18 300	18 200	18 400	18 300	18 200	54,0
56,0	41,6	43,9	17 800	17 700	17 600	17 800	17 700	17 600	56,0
58,0	38,7	41,1	17 200	17 100	17 100	17 200	17 100	17 100	58,0
60,0	35,5	38,0	16 700	16 600	16 600	16 700	16 600	16 600	60,0
62,0	32,1	34,4	16 300	16 200	16 100	16 300	16 200	16 100	62,0
64,0	28,1	30,1	15 900	15 700	15 700	15 900	15 700	15 700	64,0
66,0	23,5	24,9	15 500	15 400	15 300	15 500	15 400	15 300	66,0

MLC650 VPC-MAX S-2



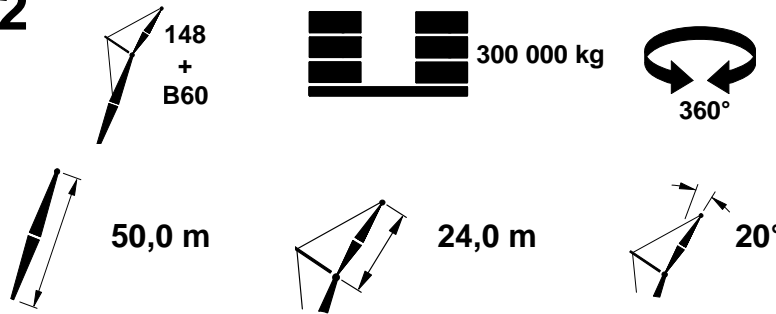
m	°	m	11,8 m			18,3 m			m
			0° kg	1° kg	2° kg	0° kg	1° kg	2° kg	
16,8									16,8
18,0									18,0
20,0	82,1	67,9	30 600b			30 600b			20,0
22,0	80,3	67,3	28 900b			28 900b			22,0
24,0	78,5	66,6	27 300			27 300			24,0
26,0	76,7	65,8	25 900			25 900			26,0
28,0	74,8	65,0	24 700			24 700			28,0
30,0	73,0	64,1	23 600			23 600			30,0
32,0	71,1	63,2	22 500			22 500			32,0
34,0	69,2	62,1	21 600			21 600			34,0
36,0	67,2	61,0	20 700			20 700			36,0
38,0	65,2	59,7	19 900			19 900			38,0
40,0	63,1	58,4	19 200			19 200			40,0
42,0	61,0	56,9	18 500			18 500			42,0
44,0	58,9	55,4	17 900			17 900			44,0
46,0	56,7	53,7	17 300			17 300			46,0
48,0	54,3	51,8	16 800			16 800			48,0
50,0	51,9	49,9	16 300			16 300			50,0
52,0	49,4	47,7	15 800			15 800			52,0
54,0	46,8	45,3	15 400			15 400			54,0
56,0	44,0	42,7	15 000			15 000			56,0
58,0	41,0	39,8	14 600			14 600			58,0
60,0	37,7	36,5	14 300			14 300			60,0
62,0	34,1	32,7	14 000			14 000			62,0
64,0	29,9	28,2	13 800			13 800			64,0
66,0									66,0

MLC650 VPC-MAX S-2



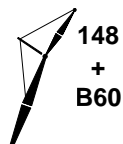
m	°	m	11,8 m			18,3 m			m
			0°	1°	2°	0°	1°	2°	
			kg	kg	kg	kg	kg	kg	
16,8	82,5	75,6	37 700b			37 700b			16,8
18,0	81,5	75,3	36 900			36 900			18,0
20,0	79,9	74,8	35 900	30 900	27 200	35 900	30 900	27 200	20,0
22,0	78,3	74,3	34 800	30 100	26 500	34 800	30 100	26 500	22,0
24,0	76,7	73,6	33 800	29 300	26 000	33 800	29 300	26 000	24,0
26,0	75,1	73,0	32 900	28 600	25 400	32 900	28 600	25 400	26,0
28,0	73,4	72,2	32 000	28 000	24 900	32 000	28 000	24 900	28,0
30,0	71,8	71,4	31 100	27 300	24 400	31 100	27 300	24 400	30,0
32,0	70,1	70,6	30 300	26 700	23 900	30 300	26 700	23 900	32,0
34,0	68,4	69,6	29 400	26 100	23 400	29 400	26 100	23 400	34,0
36,0	66,6	68,6	28 000	25 600	22 900	28 000	25 600	22 900	36,0
38,0	64,9	67,5	26 700	25 000	22 500	26 700	25 000	22 500	38,0
40,0	63,1	66,4	25 600	24 500	22 100	25 600	24 500	22 100	40,0
42,0	61,2	65,1	24 500	24 000	21 700	24 500	24 000	21 700	42,0
44,0	59,4	63,7	23 600	23 400	21 300	23 600	23 400	21 300	44,0
46,0	57,4	62,3	22 700	22 500	21 000	22 700	22 500	21 000	46,0
48,0	55,5	60,7	21 800	21 700	20 600	21 800	21 700	20 600	48,0
50,0	53,5	59,1	21 100	20 900	20 300	21 100	20 900	20 300	50,0
52,0	51,4	57,3	20 300	20 200	20 000	20 300	20 200	20 000	52,0
54,0	49,2	55,3	19 700	19 500	19 400	19 700	19 500	19 400	54,0
56,0	47,0	53,2	19 000	18 900	18 800	19 000	18 900	18 800	56,0
58,0	44,7	51,0	18 500	18 300	18 200	18 500	18 300	18 200	58,0
60,0	42,2	48,5	17 900	17 800	17 700	17 900	17 800	17 700	60,0
62,0	39,6	45,8	17 400	17 300	17 200	17 400	17 300	17 200	62,0
64,0	36,8	42,8	17 000	16 800	16 700	17 000	16 800	16 700	64,0
66,0	33,8	39,5	16 500	16 400	16 300	16 500	16 400	16 300	66,0
68,0	30,5	35,7	16 100	16 000	15 900	16 100	16 000	15 900	68,0
70,0	26,7	31,2	15 700	15 700	15 500	15 700	15 700	15 500	70,0

MLC650 VPC-MAX S-2

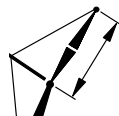


m	°	m	11,8 m			18,3 m			m
			0°	1°	2°	0°	1°	2°	
			kg	kg	kg	kg	kg	kg	
16,8									16,8
18,0									18,0
20,0	82,7	74,0	31 300b			31 300b			20,0
22,0	81,1	73,5	29 600	27 200		29 600	27 200		22,0
24,0	79,5	72,8	28 100	26 600	23 800	28 100	26 600	23 800	24,0
26,0	77,8	72,2	26 800	26 100	23 400	26 800	26 100	23 400	26,0
28,0	76,2	71,4	25 600	25 400	22 900	25 600	25 400	22 900	28,0
30,0	74,5	70,6	24 500	24 300	22 500	24 500	24 300	22 500	30,0
32,0	72,8	69,7	23 400	23 300	22 200	23 400	23 300	22 200	32,0
34,0	71,0	68,8	22 500	22 400	21 800	22 500	22 400	21 800	34,0
36,0	69,3	67,8	21 600	21 500	21 200	21 600	21 500	21 200	36,0
38,0	67,5	66,6	20 800	20 700	20 500	20 800	20 700	20 500	38,0
40,0	65,7	65,5	20 100	20 000	19 800	20 100	20 000	19 800	40,0
42,0	63,8	64,2	19 400	19 300	19 100	19 400	19 300	19 100	42,0
44,0	61,9	62,8	18 800	18 700	18 500	18 800	18 700	18 500	44,0
46,0	60,0	61,3	18 200	18 100	18 000	18 200	18 100	18 000	46,0
48,0	58,0	59,7	17 600	17 500	17 500	17 600	17 500	17 500	48,0
50,0	55,9	58,0	17 100	17 000	17 000	17 100	17 000	17 000	50,0
52,0	53,8	56,2	16 600	16 600	16 500	16 600	16 600	16 500	52,0
54,0	51,6	54,2	16 200	16 100	16 100	16 200	16 100	16 100	54,0
56,0	49,3	52,1	15 800	15 700	15 700	15 800	15 700	15 700	56,0
58,0	46,9	49,8	15 400	15 300	15 300	15 400	15 300	15 300	58,0
60,0	44,4	47,2	15 000	15 000	14 900	15 000	15 000	14 900	60,0
62,0	41,7	44,5	14 700	14 600	14 600	14 700	14 600	14 600	62,0
64,0	38,8	41,4	14 400	14 400	14 300	14 400	14 400	14 300	64,0
66,0	35,7	37,9	14 100	14 100	14 000	14 100	14 100	14 000	66,0
68,0	32,2	33,9	13 900	13 900	13 800	13 900	13 900	13 800	68,0
70,0	28,2	29,1	13 700	13 600	13 600	13 700	13 600	13 600	70,0

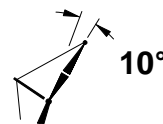
MLC650 VPC-MAX S-2



56,0 m



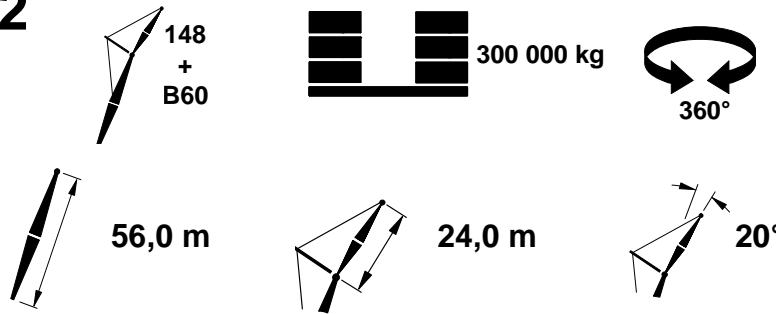
24,0 m



10°

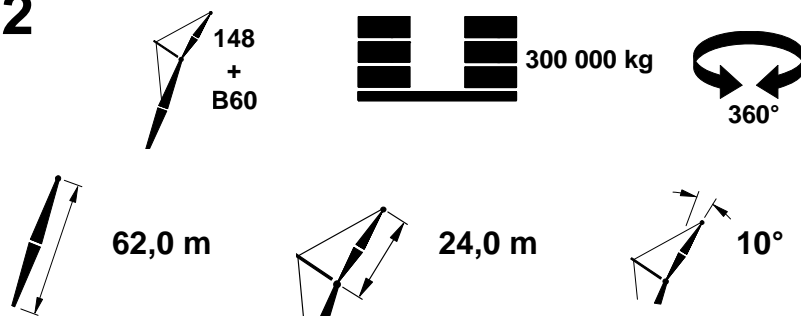
m	°	m	11,8 m			18,3 m			m
			0°	1°	2°	0°	1°	2°	
			kg	kg	kg	kg	kg	kg	
18,3	82,0	81,4	37 200	31 800	27 400	37 200	31 800	27 400	18,3
20,0	80,7	81,0	36 300	31 200	26 800	36 300	31 200	26 800	20,0
22,0	79,2	80,5	35 300	30 400	26 300	35 300	30 400	26 300	22,0
24,0	77,7	79,9	34 400	29 700	26 300	34 400	29 700	26 300	24,0
26,0	76,2	79,3	33 500	29 100	25 700	33 500	29 100	25 700	26,0
28,0	74,7	78,6	32 600	28 400	25 200	32 600	28 400	25 200	28,0
30,0	73,2	77,9	31 800	27 800	24 700	31 800	27 800	24 700	30,0
32,0	71,7	77,1	31 100	27 200	24 300	31 100	27 200	24 300	32,0
34,0	70,1	76,2	30 300	26 700	23 800	30 300	26 700	23 800	34,0
36,0	68,5	75,3	29 400	26 100	23 400	29 400	26 100	23 400	36,0
38,0	66,9	74,3	28 200	25 600	23 000	28 200	25 600	23 000	38,0
40,0	65,3	73,3	27 000	25 100	22 600	27 000	25 100	22 600	40,0
42,0	63,7	72,1	26 000	24 600	22 200	26 000	24 600	22 200	42,0
44,0	62,0	70,9	25 000	24 200	21 800	25 000	24 200	21 800	44,0
46,0	60,3	69,6	24 000	23 700	21 500	24 000	23 700	21 500	46,0
48,0	58,5	68,2	23 200	23 000	21 100	23 200	23 000	21 100	48,0
50,0	56,8	66,8	22 400	22 200	20 800	22 400	22 200	20 800	50,0
52,0	54,9	65,2	21 600	21 500	20 500	21 600	21 500	20 500	52,0
54,0	53,1	63,5	20 900	20 800	20 200	20 900	20 800	20 200	54,0
56,0	51,1	61,7	20 300	20 100	19 900	20 300	20 100	19 900	56,0
58,0	49,1	59,8	19 600	19 500	19 400	19 600	19 500	19 400	58,0
60,0	47,1	57,7	19 100	19 000	18 900	19 100	19 000	18 900	60,0
62,0	44,9	55,5	18 500	18 400	18 300	18 500	18 400	18 300	62,0
64,0	42,7	53,1	18 000	17 900	17 800	18 000	17 900	17 800	64,0
66,0	40,4	50,5	17 600	17 400	17 400	17 600	17 400	17 400	66,0
68,0	37,9	47,6	17 100	17 000	16 900	17 100	17 000	16 900	68,0
70,0	35,2	44,5	16 700	16 600	16 500	16 700	16 600	16 500	70,0
74,0	29,1	37,0	16 000	15 900	15 800	16 000	15 900	15 800	74,0

MLC650 VPC-MAX S-2



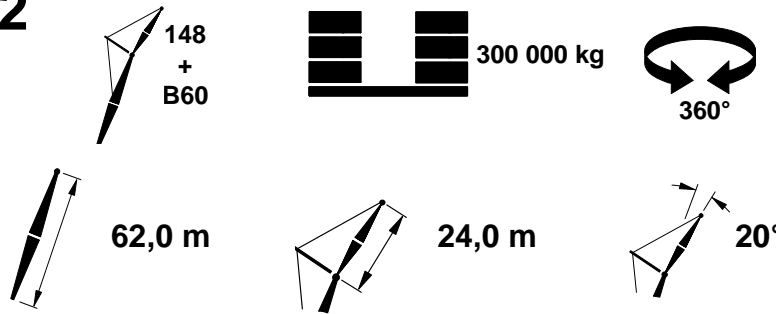
m	°	m	11,8 m			18,3 m			m
			0°	1°	2°	0°	1°	2°	
			kg	kg	kg	kg	kg	kg	
18,3									18,3
20,0									20,0
22,0	81,8	79,6	30 300			30 300			22,0
24,0	80,3	79,1	28 800			28 800			24,0
26,0	78,8	78,5	27 500	26 800	26 300	27 500	26 800	26 300	26,0
28,0	77,3	77,8	26 300	25 800	23 200	26 300	25 800	23 200	28,0
30,0	75,7	77,0	25 300	25 100	22 800	25 300	25 100	22 800	30,0
32,0	74,2	76,2	24 200	24 100	22 400	24 200	24 100	22 400	32,0
34,0	72,6	75,4	23 300	23 200	22 100	23 300	23 200	22 100	34,0
36,0	71,0	74,4	22 500	22 300	21 700	22 500	22 300	21 700	36,0
38,0	69,4	73,4	21 700	21 500	21 300	21 700	21 500	21 300	38,0
40,0	67,7	72,4	20 900	20 800	20 600	20 900	20 800	20 600	40,0
42,0	66,1	71,2	20 200	20 100	19 900	20 200	20 100	19 900	42,0
44,0	64,4	70,0	19 600	19 500	19 300	19 600	19 500	19 300	44,0
46,0	62,6	68,7	19 000	18 900	18 800	19 000	18 900	18 800	46,0
48,0	60,9	67,3	18 500	18 300	18 200	18 500	18 300	18 200	48,0
50,0	59,1	65,8	17 900	17 800	17 700	17 900	17 800	17 700	50,0
52,0	57,2	64,2	17 400	17 400	17 300	17 400	17 400	17 300	52,0
54,0	55,3	62,5	17 000	16 900	16 800	17 000	16 900	16 800	54,0
56,0	53,3	60,6	16 500	16 500	16 400	16 500	16 500	16 400	56,0
58,0	51,3	58,7	16 100	16 100	16 000	16 100	16 100	16 000	58,0
60,0	49,2	56,6	15 800	15 700	15 600	15 800	15 700	15 600	60,0
62,0	47,0	54,3	15 400	15 300	15 300	15 400	15 300	15 300	62,0
64,0	44,7	51,8	15 100	15 000	15 000	15 100	15 000	15 000	64,0
66,0	42,3	49,1	14 800	14 700	14 700	14 800	14 700	14 700	66,0
68,0	39,7	46,2	14 500	14 400	14 400	14 500	14 400	14 400	68,0
70,0	37,0	42,9	14 200	14 200	14 100	14 200	14 200	14 100	70,0
74,0	30,6	35,1	13 800	13 800	13 700	13 800	13 800	13 700	74,0

MLC650 VPC-MAX S-2



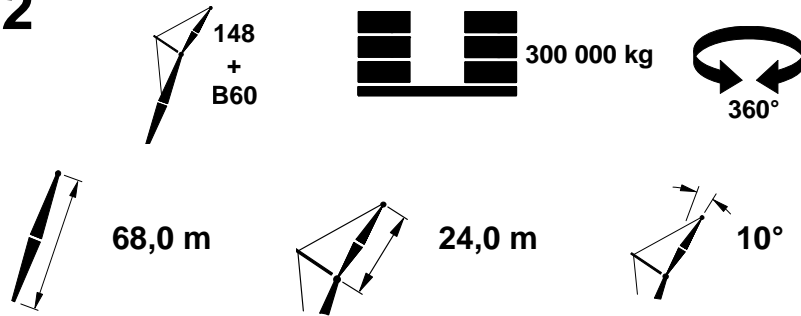
m	°	m	11,8 m			18,3 m			m
			0°	1°	2°	0°	1°	2°	
			kg	kg	kg	kg	kg	kg	
18,3	82,5	87,5	37 500			37 500			18,3
20,0	81,4	87,1	36 600	31 400		36 600	31 400		20,0
22,0	80,0	86,6	35 700	30 700	27 000	35 700	30 700	27 000	22,0
24,0	78,6	86,1	34 800	30 000	26 500	34 800	30 000	26 500	24,0
26,0	77,2	85,6	33 900	29 400	26 000	33 900	29 400	26 000	26,0
28,0	75,8	84,9	33 100	28 800	25 500	33 100	28 800	25 500	28,0
30,0	74,4	84,3	32 400	28 200	25 000	32 400	28 200	25 000	30,0
32,0	73,0	83,5	31 600	27 700	24 600	31 600	27 700	24 600	32,0
34,0	71,6	82,8	30 900	27 100	24 200	30 900	27 100	24 200	34,0
36,0	70,1	81,9	30 300	26 600	23 700	30 300	26 600	23 700	36,0
38,0	68,7	81,0	29 600	26 100	23 400	29 600	26 100	23 400	38,0
40,0	67,2	80,0	28 400	25 600	23 000	28 400	25 600	23 000	40,0
42,0	65,7	79,0	27 300	25 200	22 600	27 300	25 200	22 600	42,0
44,0	64,2	77,9	26 300	24 700	22 300	26 300	24 700	22 300	44,0
46,0	62,6	76,7	25 300	24 300	21 900	25 300	24 300	21 900	46,0
48,0	61,1	75,5	24 400	23 900	21 600	24 400	23 900	21 600	48,0
50,0	59,5	74,2	23 600	23 400	21 300	23 600	23 400	21 300	50,0
52,0	57,8	72,7	22 800	22 600	21 000	22 800	22 600	21 000	52,0
54,0	56,2	71,3	22 100	21 900	20 700	22 100	21 900	20 700	54,0
56,0	54,5	69,7	21 400	21 300	20 400	21 400	21 300	20 400	56,0
58,0	52,7	68,0	20 800	20 700	20 100	20 800	20 700	20 100	58,0
60,0	50,9	66,2	20 200	20 000	19 800	20 200	20 000	19 800	60,0
62,0	49,1	64,3	19 600	19 500	19 400	19 600	19 500	19 400	62,0
64,0	47,2	62,2	19 100	19 000	18 800	19 100	19 000	18 800	64,0
66,0	45,2	60,0	18 600	18 500	18 400	18 600	18 500	18 400	66,0
68,0	43,1	57,7	18 100	18 000	17 900	18 100	18 000	17 900	68,0
70,0	41,0	55,1	17 700	17 600	17 500	17 700	17 600	17 500	70,0
74,0	36,3	49,4	16 900	16 800	16 700	16 900	16 800	16 700	74,0
78,0	31,0	42,5	16 100	16 100	16 000	16 100	16 100	16 000	78,0
82,0	24,4	33,5	15 500	15 500	15 400	15 500	15 500	15 400	82,0

MLC650 VPC-MAX S-2



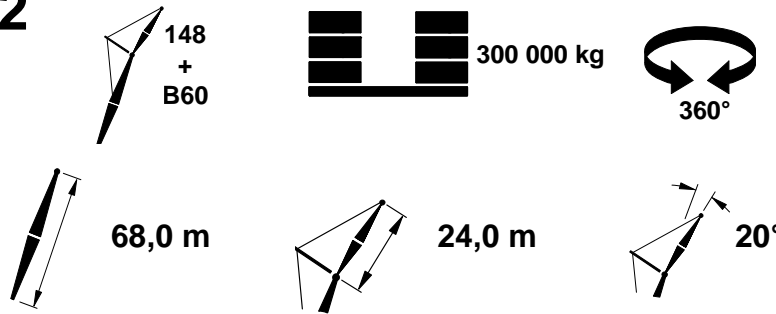
m	°	m	11,8 m			18,3 m			m
			0°	1°	2°	0°	1°	2°	
			kg	kg	kg	kg	kg	kg	
18,3									18,3
20,0									20,0
22,0	82,4	85,8	30 900			30 900			22,0
24,0	81,0	85,3	29 500	27 000		29 500	27 000		24,0
26,0	79,6	84,7	28 200	26 500	23 700	28 200	26 500	23 700	26,0
28,0	78,2	84,1	27 100	26 100	23 300	27 100	26 100	23 300	28,0
30,0	76,8	83,4	26 000	25 600	23 000	26 000	25 600	23 000	30,0
32,0	75,3	82,7	25 000	24 800	22 600	25 000	24 800	22 600	32,0
34,0	73,9	81,9	24 100	23 900	22 300	24 100	23 900	22 300	34,0
36,0	72,4	81,0	23 200	23 100	22 000	23 200	23 100	22 000	36,0
38,0	71,0	80,1	22 400	22 300	21 700	22 400	22 300	21 700	38,0
40,0	69,5	79,1	21 700	21 600	21 300	21 700	21 600	21 300	40,0
42,0	67,9	78,1	21 000	20 900	20 700	21 000	20 900	20 700	42,0
44,0	66,4	77,0	20 400	20 300	20 100	20 400	20 300	20 100	44,0
46,0	64,8	75,8	19 800	19 700	19 500	19 800	19 700	19 500	46,0
48,0	63,2	74,5	19 200	19 100	19 000	19 200	19 100	19 000	48,0
50,0	61,6	73,2	18 700	18 600	18 500	18 700	18 600	18 500	50,0
52,0	60,0	71,7	18 200	18 100	18 000	18 200	18 100	18 000	52,0
54,0	58,3	70,2	17 700	17 600	17 500	17 700	17 600	17 500	54,0
56,0	56,6	68,6	17 300	17 200	17 100	17 300	17 200	17 100	56,0
58,0	54,8	66,9	16 900	16 800	16 700	16 900	16 800	16 700	58,0
60,0	53,0	65,1	16 500	16 400	16 300	16 500	16 400	16 300	60,0
62,0	51,1	63,1	16 100	16 000	16 000	16 100	16 000	16 000	62,0
64,0	49,1	61,0	15 700	15 700	15 600	15 700	15 700	15 600	64,0
66,0	47,1	58,8	15 400	15 400	15 300	15 400	15 400	15 300	66,0
68,0	45,0	56,4	15 100	15 100	15 000	15 100	15 100	15 000	68,0
70,0	42,8	53,8	14 800	14 800	14 700	14 800	14 800	14 700	70,0
74,0	38,0	47,9	14 300	14 300	14 200	14 300	14 300	14 200	74,0
78,0	32,4	40,6	13 900	13 900	13 800	13 900	13 900	13 800	78,0
82,0									82,0

MLC650 VPC-MAX S-2



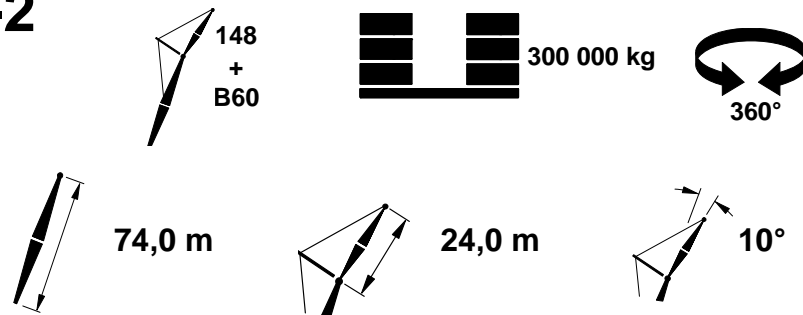
m	°	m	11,8 m			18,3 m			m
			0°	1°	2°	0°	1°	2°	
			kg	kg	kg	kg	kg	kg	
19,8	82,1	93,3	37 000			37 000			19,8
20,0	81,9	93,2	36 900			36 900			20,0
22,0	80,7	92,8	36 000	30 800		36 000	30 800		22,0
24,0	79,4	92,3	35 200	30 200	26 600	35 200	30 200	26 600	24,0
26,0	78,1	91,8	34 300	29 600	26 100	34 300	29 600	26 100	26,0
28,0	76,8	91,2	33 600	29 100	25 700	33 600	29 100	25 700	28,0
30,0	75,5	90,6	32 800	28 500	25 200	32 800	28 500	25 200	30,0
32,0	74,2	89,9	32 200	28 000	24 800	32 200	28 000	24 800	32,0
34,0	72,8	89,2	31 500	27 500	24 400	31 500	27 500	24 400	34,0
36,0	71,5	88,4	30 800	27 000	24 000	30 800	27 000	24 000	36,0
38,0	70,2	87,6	30 200	26 500	23 700	30 200	26 500	23 700	38,0
40,0	68,8	86,7	29 500	26 100	23 300	29 500	26 100	23 300	40,0
42,0	67,4	85,7	28 600	25 600	22 900	28 600	25 600	22 900	42,0
44,0	66,0	84,7	27 500	25 200	22 600	27 500	25 200	22 600	44,0
46,0	64,6	83,6	26 500	24 800	22 300	26 500	24 800	22 300	46,0
48,0	63,2	82,5	25 600	24 400	22 000	25 600	24 400	22 000	48,0
50,0	61,7	81,3	24 800	24 000	21 600	24 800	24 000	21 600	50,0
52,0	60,2	80,0	24 000	23 600	21 400	24 000	23 600	21 400	52,0
54,0	58,7	78,7	23 300	23 100	21 100	23 300	23 100	21 100	54,0
56,0	57,2	77,2	22 500	22 400	20 800	22 500	22 400	20 800	56,0
58,0	55,6	75,7	21 900	21 700	20 500	21 900	21 700	20 500	58,0
60,0	54,1	74,1	21 300	21 100	20 300	21 300	21 100	20 300	60,0
62,0	52,4	72,4	20 700	20 500	20 100	20 700	20 500	20 100	62,0
64,0	50,7	70,6	20 200	20 000	19 800	20 200	20 000	19 800	64,0
66,0	49,0	68,7	19 600	19 500	19 300	19 600	19 500	19 300	66,0
68,0	47,2	66,7	19 100	19 000	18 900	19 100	19 000	18 900	68,0
70,0	45,4	64,5	18 700	18 500	18 400	18 700	18 500	18 400	70,0
74,0	41,5	59,8	17 800	17 700	17 600	17 800	17 700	17 600	74,0
78,0	37,3	54,2	17 000	16 900	16 800	17 000	16 900	16 800	78,0
82,0	32,5	47,7	16 300	16 200	16 200	16 300	16 200	16 200	82,0
86,0	26,8	39,5	15 700	15 700	15 600	15 700	15 700	15 600	86,0

MLC650 VPC-MAX S-2



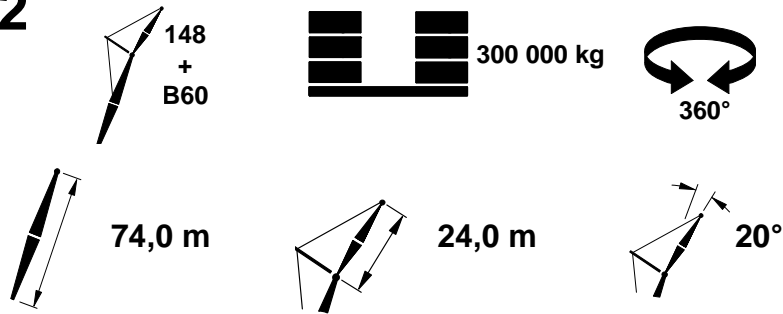
m	°	m	11,8 m			18,3 m			m
			0° kg	1° kg	2° kg	0° kg	1° kg	2° kg	
19,8									19,8
20,0									20,0
22,0									22,0
24,0	81,6	91,5	30 000			30 000			24,0
26,0	80,3	90,9	28 800	26 700	23 800	28 800	26 700	23 800	26,0
28,0	79,0	90,3	27 700	26 200	23 400	27 700	26 200	23 400	28,0
30,0	77,7	89,7	26 600	25 800	23 100	26 600	25 800	23 100	30,0
32,0	76,4	89,0	25 600	25 400	22 800	25 600	25 400	22 800	32,0
34,0	75,0	88,3	24 800	24 600	22 500	24 800	24 600	22 500	34,0
36,0	73,7	87,5	23 900	23 800	22 200	23 900	23 800	22 200	36,0
38,0	72,3	86,7	23 100	23 000	21 900	23 100	23 000	21 900	38,0
40,0	70,9	85,7	22 400	22 300	21 600	22 400	22 300	21 600	40,0
42,0	69,5	84,8	21 700	21 600	21 300	21 700	21 600	21 300	42,0
44,0	68,1	83,8	21 100	21 000	20 800	21 100	21 000	20 800	44,0
46,0	66,7	82,7	20 500	20 400	20 200	20 500	20 400	20 200	46,0
48,0	65,2	81,5	19 900	19 800	19 600	19 900	19 800	19 600	48,0
50,0	63,8	80,3	19 400	19 300	19 100	19 400	19 300	19 100	50,0
52,0	62,3	79,0	18 900	18 800	18 600	18 900	18 800	18 600	52,0
54,0	60,7	77,6	18 400	18 300	18 200	18 400	18 300	18 200	54,0
56,0	59,2	76,2	18 000	17 900	17 800	18 000	17 900	17 800	56,0
58,0	57,6	74,7	17 500	17 400	17 400	17 500	17 400	17 400	58,0
60,0	56,0	73,0	17 100	17 000	17 000	17 100	17 000	17 000	60,0
62,0	54,3	71,3	16 800	16 700	16 600	16 800	16 700	16 600	62,0
64,0	52,6	69,5	16 400	16 300	16 300	16 400	16 300	16 300	64,0
66,0	50,9	67,5	16 100	16 000	15 900	16 100	16 000	15 900	66,0
68,0	49,1	65,5	15 700	15 700	15 600	15 700	15 700	15 600	68,0
70,0	47,2	63,3	15 400	15 400	15 300	15 400	15 400	15 300	70,0
74,0	43,2	58,4	14 900	14 800	14 800	14 900	14 800	14 800	74,0
78,0	38,9	52,7	14 400	14 400	14 300	14 400	14 400	14 300	78,0
82,0	33,9	45,9	14 000	14 000	13 900	14 000	14 000	13 900	82,0
86,0									86,0

MLC650 VPC-MAX S-2



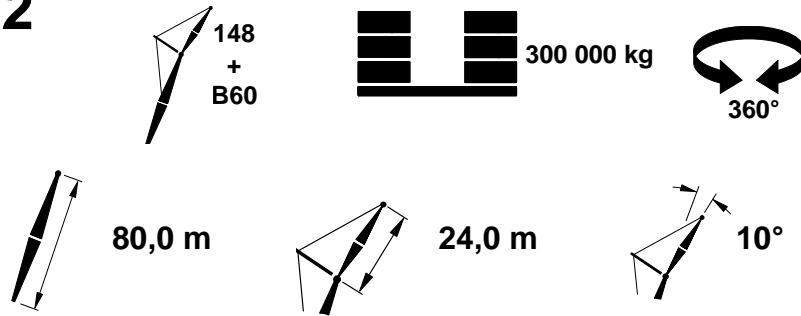
m	°	m	11,8 m			18,3 m			m
			0°	1°	2°	0°	1°	2°	
			kg	kg	kg	kg	kg	kg	
19,8	82,6	99,4	37 200			37 200			19,8
20,0	82,4	99,3	37 100			37 100			20,0
22,0	81,2	98,9	36 300	31 000		36 300	31 000		22,0
24,0	80,0	98,5	35 500	30 400	26 700	35 500	30 400	26 700	24,0
26,0	78,8	98,0	34 700	29 800	26 200	34 700	29 800	26 200	26,0
28,0	77,6	97,5	34 000	29 300	25 800	34 000	29 300	25 800	28,0
30,0	76,4	96,9	33 300	28 800	25 400	33 300	28 800	25 400	30,0
32,0	75,2	96,2	32 600	28 300	25 000	32 600	28 300	25 000	32,0
34,0	73,9	95,6	31 900	27 800	24 700	31 900	27 800	24 700	34,0
36,0	72,7	94,8	31 300	27 300	24 300	31 300	27 300	24 300	36,0
38,0	71,4	94,1	30 700	26 900	23 900	30 700	26 900	23 900	38,0
40,0	70,2	93,2	30 200	26 400	23 600	30 200	26 400	23 600	40,0
42,0	68,9	92,4	29 600	26 000	23 200	29 600	26 000	23 200	42,0
44,0	67,6	91,4	28 800	25 600	22 900	28 800	25 600	22 900	44,0
46,0	66,3	90,4	27 700	25 200	22 600	27 700	25 200	22 600	46,0
48,0	65,0	89,4	26 800	24 800	22 300	26 800	24 800	22 300	48,0
50,0	63,7	88,3	25 900	24 500	22 000	25 900	24 500	22 000	50,0
52,0	62,3	87,1	25 100	24 100	21 700	25 100	24 100	21 700	52,0
54,0	60,9	85,9	24 400	23 800	21 400	24 400	23 800	21 400	54,0
56,0	59,5	84,6	23 700	23 400	21 200	23 700	23 400	21 200	56,0
58,0	58,1	83,2	23 000	22 800	20 900	23 000	22 800	20 900	58,0
60,0	56,7	81,7	22 300	22 200	20 700	22 300	22 200	20 700	60,0
62,0	55,2	80,2	21 700	21 600	20 400	21 700	21 600	20 400	62,0
64,0	53,7	78,6	21 100	21 000	20 200	21 100	21 000	20 200	64,0
66,0	52,2	76,9	20 600	20 500	20 000	20 600	20 500	20 000	66,0
68,0	50,6	75,1	20 100	19 900	19 800	20 100	19 900	19 800	68,0
70,0	49,0	73,2	19 600	19 500	19 300	19 600	19 500	19 300	70,0
74,0	45,6	69,1	18 700	18 600	18 500	18 700	18 600	18 500	74,0
78,0	42,0	64,4	17 900	17 800	17 700	17 900	17 800	17 700	78,0
82,0	38,1	59,0	17 100	17 100	17 000	17 100	17 100	17 000	82,0
86,0	33,8	52,8	16 200	15 600	14 900	16 500	16 400	16 300	86,0
90,0	28,8	45,2	13 300	12 700	12 200	15 900	15 800	15 800	90,0
94,0	22,6	35,5	10 500	10 100	9 600	15 400	15 400	15 300	94,0

MLC650 VPC-MAX S-2



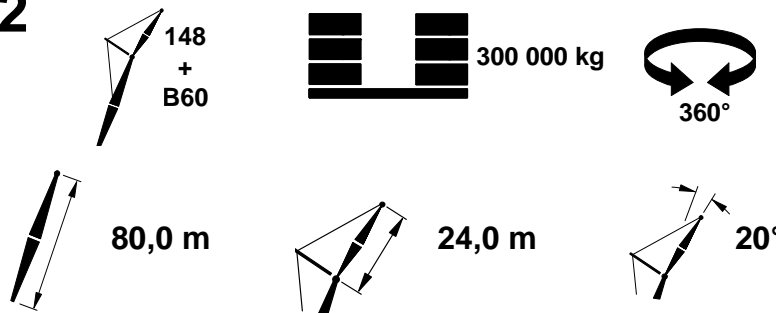
m	°	m	11,8 m			18,3 m			m
			0°	1°	2°	0°	1°	2°	
			kg	kg	kg	kg	kg	kg	
19,8									19,8
20,0									20,0
22,0									22,0
24,0									24,0
26,0	82,2	97,6	30 500			30 500			26,0
	80,9	97,1	29 300	26 800	23 800	29 300	26 800	23 800	
28,0	79,7	96,6	28 300	26 400	23 500	28 300	26 400	23 500	28,0
30,0	78,5	96,0	27 200	26 000	23 200	27 200	26 000	23 200	30,0
32,0	77,2	95,3	26 300	25 600	22 900	26 300	25 600	22 900	32,0
34,0	76,0	94,7	25 400	25 200	22 600	25 400	25 200	22 600	34,0
36,0	74,7	93,9	24 600	24 400	22 300	24 600	24 400	22 300	36,0
38,0	73,5	93,1	23 800	23 600	22 000	23 800	23 600	22 000	38,0
40,0	72,2	92,3	23 100	22 900	21 800	23 100	22 900	21 800	40,0
42,0	70,9	91,4	22 400	22 300	21 500	22 400	22 300	21 500	42,0
44,0	69,6	90,5	21 800	21 600	21 300	21 800	21 600	21 300	44,0
46,0	68,3	89,5	21 200	21 100	20 800	21 200	21 100	20 800	46,0
48,0	66,9	88,4	20 600	20 500	20 300	20 600	20 500	20 300	48,0
50,0	65,6	87,3	20 100	19 900	19 800	20 100	19 900	19 800	50,0
52,0	64,2	86,1	19 500	19 500	19 300	19 500	19 500	19 300	52,0
54,0	62,8	84,8	19 100	19 000	18 800	19 100	19 000	18 800	54,0
56,0	61,4	83,5	18 600	18 500	18 400	18 600	18 500	18 400	56,0
58,0	60,0	82,1	18 200	18 100	18 000	18 200	18 100	18 000	58,0
60,0	58,5	80,7	17 800	17 700	17 600	17 800	17 700	17 600	60,0
62,0	57,0	79,1	17 400	17 300	17 200	17 400	17 300	17 200	62,0
64,0	55,5	77,5	17 000	16 900	16 900	17 000	16 900	16 900	64,0
66,0	53,9	75,8	16 700	16 600	16 500	16 700	16 600	16 500	66,0
68,0	52,3	73,9	16 300	16 300	16 200	16 300	16 300	16 200	68,0
70,0	50,7	72,0	16 000	16 000	15 900	16 000	16 000	15 900	70,0
74,0	47,3	67,8	15 500	15 400	15 300	15 500	15 400	15 300	74,0
78,0	43,6	63,0	14 900	14 900	14 800	14 900	14 900	14 800	78,0
82,0	39,6	57,5	14 500	14 400	14 400	14 500	14 400	14 400	82,0
86,0	35,1	51,0	14 100	14 000	14 000	14 100	14 000	14 000	86,0
90,0	29,9	43,2	13 700	13 200	12 600	13 800	13 700	13 700	90,0
94,0									94,0

MLC650 VPC-MAX S-2



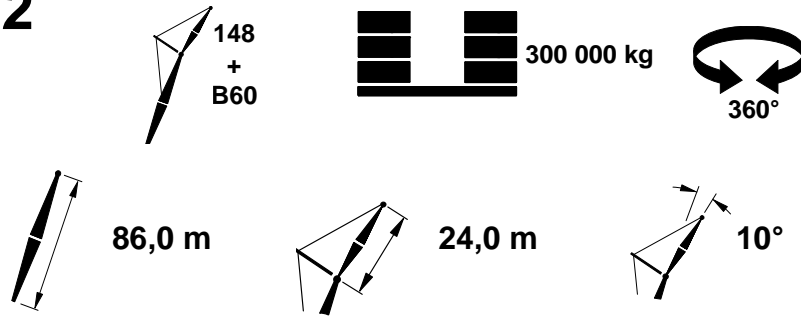
m	°	m	11,8 m			18,3 m			m
			0° kg	1° kg	2° kg	0° kg	1° kg	2° kg	
19,8	83,0	105,5	37 300			37 300			19,8
20,0	82,9	105,4	37 200			37 200			20,0
22,0	81,8	105,1	36 400			36 400			22,0
24,0	80,6	104,6	35 700	30 500		35 700	30 500		24,0
26,0	79,5	104,2	35 000	30 000	26 300	35 000	30 000	26 300	26,0
28,0	78,4	103,7	34 300	29 500	25 900	34 300	29 500	25 900	28,0
30,0	77,2	103,1	33 600	29 000	25 500	33 600	29 000	25 500	30,0
32,0	76,1	102,5	33 000	28 500	25 200	33 000	28 500	25 200	32,0
34,0	74,9	101,9	32 300	28 000	24 800	32 300	28 000	24 800	34,0
36,0	73,7	101,2	31 700	27 600	24 500	31 700	27 600	24 500	36,0
38,0	72,6	100,5	31 200	27 200	24 100	31 200	27 200	24 100	38,0
40,0	71,4	99,7	30 600	26 700	23 800	30 600	26 700	23 800	40,0
42,0	70,2	98,9	30 100	26 300	23 500	30 100	26 300	23 500	42,0
44,0	69,0	98,0	29 600	25 900	23 200	29 600	25 900	23 200	44,0
46,0	67,8	97,1	28 800	25 600	22 900	28 800	25 600	22 900	46,0
48,0	66,6	96,1	27 900	25 200	22 600	27 900	25 200	22 600	48,0
50,0	65,3	95,1	27 000	24 800	22 300	27 000	24 800	22 300	50,0
52,0	64,1	94,0	26 200	24 500	22 000	26 200	24 500	22 000	52,0
54,0	62,8	92,9	25 400	24 200	21 700	25 400	24 200	21 700	54,0
56,0	61,5	91,7	24 700	23 800	21 500	24 700	23 800	21 500	56,0
58,0	60,2	90,4	24 000	23 500	21 200	24 000	23 500	21 200	58,0
60,0	58,9	89,1	23 300	23 100	21 000	23 300	23 100	21 000	60,0
62,0	57,5	87,7	22 700	22 500	20 700	22 700	22 500	20 700	62,0
64,0	56,2	86,2	22 100	22 000	20 500	22 100	22 000	20 500	64,0
66,0	54,8	84,7	21 600	21 400	20 300	21 600	21 400	20 300	66,0
68,0	53,4	83,1	21 000	20 900	20 100	21 000	20 900	20 100	68,0
70,0	51,9	81,4	20 600	20 400	19 900	20 600	20 400	19 900	70,0
74,0	48,9	77,7	19 600	19 500	19 300	19 600	19 500	19 300	74,0
78,0	45,8	73,6	18 800	18 600	18 500	18 800	18 600	18 500	78,0
82,0	42,4	69,0	18 000	17 200	16 300	18 000	17 900	17 800	82,0
86,0	38,8	63,8	15 100	14 200	13 400	17 300	17 200	17 100	86,0
90,0	34,8	57,8	12 200	11 500	10 800	16 600	16 600	16 500	90,0
94,0	30,3	50,7	9 500	8 900	8 300	16 100	16 000	15 900	94,0
98,0	25,0	41,9	6 900	6 500	6 000	15 600	15 500	15 400	98,0

MLC650 VPC-MAX S-2



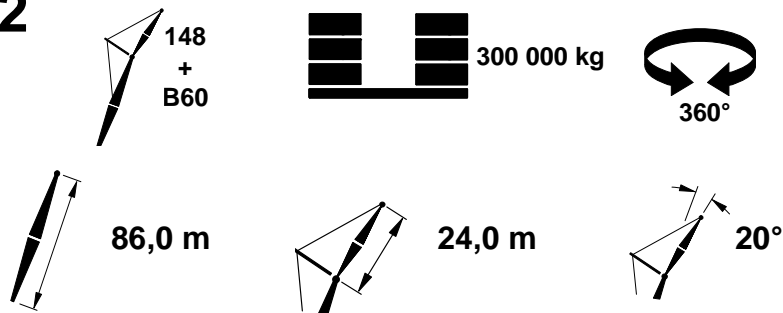
m	°	m	11,8 m			18,3 m			m
			0°	1°	2°	0°	1°	2°	
			kg	kg	kg	kg	kg	kg	
19,8									19,8
20,0									20,0
22,0									22,0
24,0									24,0
26,0	81,5	103,3	29 800	26 800		29 800	26 800		26,0
28,0	80,3	102,8	28 800	26 500	23 500	28 800	26 500	23 500	28,0
30,0	79,2	102,2	27 800	26 100	23 300	27 800	26 100	23 300	30,0
32,0	78,0	101,6	26 800	25 700	23 000	26 800	25 700	23 000	32,0
34,0	76,9	101,0	26 000	25 400	22 700	26 000	25 400	22 700	34,0
36,0	75,7	100,3	25 200	24 900	22 400	25 200	24 900	22 400	36,0
38,0	74,5	99,6	24 400	24 200	22 200	24 400	24 200	22 200	38,0
40,0	73,3	98,8	23 700	23 500	21 900	23 700	23 500	21 900	40,0
42,0	72,1	97,9	23 000	22 900	21 700	23 000	22 900	21 700	42,0
44,0	70,9	97,1	22 400	22 200	21 500	22 400	22 200	21 500	44,0
46,0	69,7	96,1	21 800	21 600	21 200	21 800	21 600	21 200	46,0
48,0	68,4	95,2	21 200	21 100	20 900	21 200	21 100	20 900	48,0
50,0	67,2	94,1	20 700	20 600	20 400	20 700	20 600	20 400	50,0
52,0	65,9	93,0	20 200	20 100	19 900	20 200	20 100	19 900	52,0
54,0	64,6	91,9	19 700	19 600	19 400	19 700	19 600	19 400	54,0
56,0	63,3	90,7	19 200	19 100	19 000	19 200	19 100	19 000	56,0
58,0	62,0	89,4	18 800	18 700	18 600	18 800	18 700	18 600	58,0
60,0	60,7	88,0	18 400	18 300	18 200	18 400	18 300	18 200	60,0
62,0	59,3	86,6	18 000	17 900	17 800	18 000	17 900	17 800	62,0
64,0	57,9	85,1	17 600	17 500	17 400	17 600	17 500	17 400	64,0
66,0	56,5	83,6	17 300	17 200	17 100	17 300	17 200	17 100	66,0
68,0	55,1	81,9	16 900	16 900	16 800	16 900	16 900	16 800	68,0
70,0	53,6	80,2	16 600	16 500	16 500	16 600	16 500	16 500	70,0
74,0	50,5	76,4	16 000	15 900	15 900	16 000	15 900	15 900	74,0
78,0	47,3	72,3	15 500	15 400	15 300	15 500	15 400	15 300	78,0
82,0	43,9	67,6	15 000	14 900	14 900	15 000	14 900	14 900	82,0
86,0	40,2	62,2	14 500	14 500	14 100	14 500	14 500	14 400	86,0
90,0	36,1	56,1	12 900	12 100	11 400	14 200	14 100	14 100	90,0
94,0	31,5	48,7	10 000	9 400	8 800	13 900	13 800	13 800	94,0
98,0									98,0

MLC650 VPC-MAX S-2



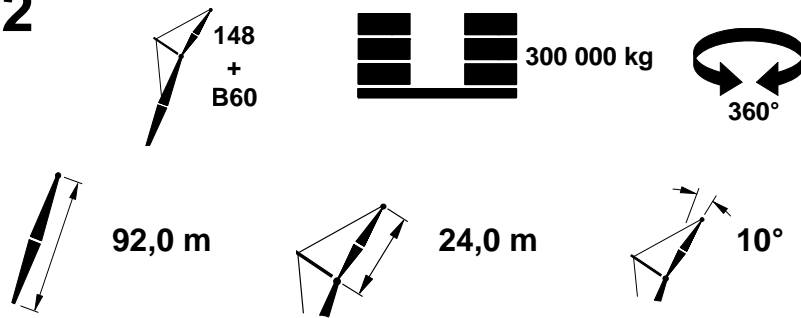
m	°	m	11,8 m			18,3 m			m
			0°	1°	2°	0°	1°	2°	
			kg	kg	kg	kg	kg	kg	
21,3	82,6	111,3	36 800			36 800			21,3
22,0	82,2	111,2	36 600			36 600			22,0
24,0	81,2	110,8	35 900	30 600		35 900	30 600		24,0
26,0	80,1	110,3	35 200	30 100	26 400	35 200	30 100	26 400	26,0
28,0	79,0	109,9	34 500	29 600	26 000	34 500	29 600	26 000	28,0
30,0	77,9	109,3	33 900	29 100	25 600	33 900	29 100	25 600	30,0
32,0	76,9	108,8	33 300	28 700	25 300	33 300	28 700	25 300	32,0
34,0	75,8	108,2	32 700	28 200	24 900	32 700	28 200	24 900	34,0
36,0	74,7	107,6	32 100	27 800	24 600	32 100	27 800	24 600	36,0
38,0	73,6	106,9	31 600	27 400	24 300	31 600	27 400	24 300	38,0
40,0	72,5	106,1	31 000	27 000	24 000	31 000	27 000	24 000	40,0
42,0	71,3	105,4	30 500	26 600	23 700	30 500	26 600	23 700	42,0
44,0	70,2	104,6	30 000	26 200	23 300	30 000	26 200	23 300	44,0
46,0	69,1	103,7	29 500	25 900	23 000	29 500	25 900	23 000	46,0
48,0	67,9	102,8	28 900	25 500	22 800	28 900	25 500	22 800	48,0
50,0	66,8	101,8	28 100	25 200	22 500	28 100	25 200	22 500	50,0
52,0	65,6	100,8	27 300	24 800	22 200	27 300	24 800	22 200	52,0
54,0	64,4	99,8	26 500	24 500	22 000	26 500	24 500	22 000	54,0
56,0	63,3	98,7	25 700	24 200	21 700	25 700	24 200	21 700	56,0
58,0	62,0	97,5	25 000	23 900	21 500	25 000	23 900	21 500	58,0
60,0	60,8	96,3	24 300	23 600	21 200	24 300	23 600	21 200	60,0
62,0	59,6	95,0	23 700	23 300	21 000	23 700	23 300	21 000	62,0
64,0	58,3	93,6	23 100	22 900	20 800	23 100	22 900	20 800	64,0
66,0	57,1	92,2	22 500	22 300	20 600	22 500	22 300	20 600	66,0
68,0	55,8	90,7	22 000	21 800	20 400	22 000	21 800	20 400	68,0
70,0	54,4	89,2	21 500	21 300	20 200	21 500	21 300	20 200	70,0
74,0	51,7	85,8	20 500	20 400	19 800	20 500	20 400	19 800	74,0
78,0	48,9	82,2	19 600	19 500	19 400	19 600	19 500	19 400	78,0
82,0	45,9	78,1	18 800	18 200	17 100	18 800	18 700	18 500	82,0
86,0	42,8	73,5	16 100	15 100	14 100	18 100	17 900	17 900	86,0
90,0	39,4	68,4	13 100	12 200	11 400	17 400	17 300	17 200	90,0
94,0	35,7	62,6	10 300	9 500	8 800	16 800	16 700	16 600	94,0
98,0	31,6	55,9	7 700	7 000	6 400	16 300	16 200	16 100	98,0
102,0	26,9	47,8	5 200	4 700	4 200	15 700	15 700	15 600	102,0
106,0	21,1	37,5				15 300	15 300	15 200	106,0

MLC650 VPC-MAX S-2



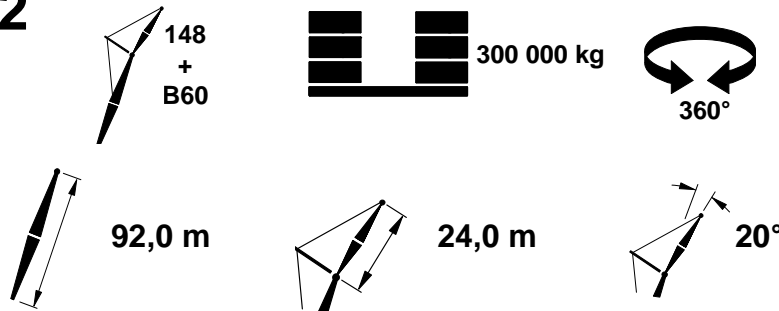
m	°	m	11,8 m			18,3 m			m
			0° kg	1° kg	2° kg	0° kg	1° kg	2° kg	
21,3									21,3
22,0									22,0
24,0									24,0
26,0	82,0	109,4	30 300			30 300			26,0
28,0	80,9	108,9	29 300	26 500		29 300	26 500		28,0
30,0	79,8	108,4	28 300	26 200	23 300	28 300	26 200	23 300	30,0
32,0	78,7	107,9	27 400	25 800	23 000	27 400	25 800	23 000	32,0
34,0	77,6	107,3	26 500	25 500	22 700	26 500	25 500	22 700	34,0
36,0	76,5	106,6	25 700	25 200	22 500	25 700	25 200	22 500	36,0
38,0	75,4	105,9	25 000	24 800	22 300	25 000	24 800	22 300	38,0
40,0	74,3	105,2	24 300	24 100	22 000	24 300	24 100	22 000	40,0
42,0	73,1	104,4	23 600	23 500	21 800	23 600	23 500	21 800	42,0
44,0	72,0	103,6	23 000	22 800	21 600	23 000	22 800	21 600	44,0
46,0	70,9	102,7	22 400	22 300	21 400	22 400	22 300	21 400	46,0
48,0	69,7	101,8	21 800	21 700	21 100	21 800	21 700	21 100	48,0
50,0	68,5	100,8	21 300	21 200	20 900	21 300	21 200	20 900	50,0
52,0	67,4	99,8	20 800	20 700	20 400	20 800	20 700	20 400	52,0
54,0	66,2	98,8	20 300	20 200	20 000	20 300	20 200	20 000	54,0
56,0	65,0	97,6	19 800	19 700	19 500	19 800	19 700	19 500	56,0
58,0	63,7	96,4	19 400	19 300	19 100	19 400	19 300	19 100	58,0
60,0	62,5	95,2	19 000	18 900	18 700	19 000	18 900	18 700	60,0
62,0	61,3	93,9	18 600	18 500	18 300	18 600	18 500	18 300	62,0
64,0	60,0	92,5	18 200	18 100	18 000	18 200	18 100	18 000	64,0
66,0	58,7	91,1	17 900	17 700	17 600	17 900	17 700	17 600	66,0
68,0	57,4	89,6	17 500	17 400	17 300	17 500	17 400	17 300	68,0
70,0	56,0	88,0	17 200	17 100	17 000	17 200	17 100	17 000	70,0
74,0	53,3	84,6	16 500	16 500	16 400	16 500	16 500	16 400	74,0
78,0	50,4	80,9	16 000	15 900	15 900	16 000	15 900	15 900	78,0
82,0	47,4	76,8	15 500	15 400	15 400	15 500	15 400	15 400	82,0
86,0	44,2	72,1	15 000	15 000	14 700	15 000	15 000	14 900	86,0
90,0	40,7	66,9	13 900	13 000	12 200	14 600	14 600	14 500	90,0
94,0	37,0	61,0	11 000	10 200	9 500	14 300	14 200	14 100	94,0
98,0	32,7	54,0	8 200	7 600	6 900	14 000	13 900	13 800	98,0
102,0	27,8	45,6	5 600	5 000	4 500	13 700	13 600	13 600	102,0
106,0									106,0

MLC650 VPC-MAX S-2



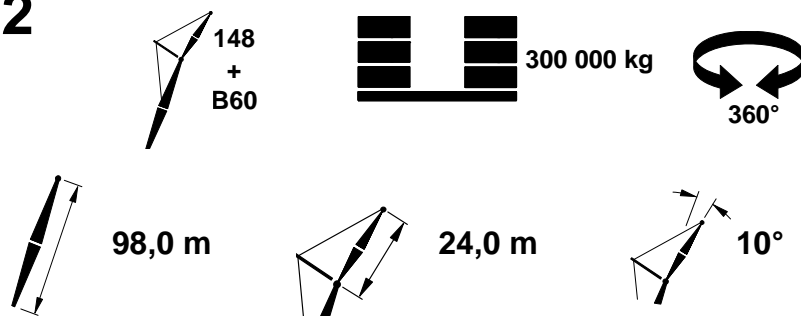
m	°	m	11,8 m			18,3 m			m
			0°	1°	2°	0°	1°	2°	
			kg	kg	kg	kg	kg	kg	
21,3	83,0	117,4	36 900			36 900			21,3
22,0	82,6	117,2	36 600			36 600			22,0
24,0	81,6	116,9	36 000			36 000			24,0
26,0	80,6	116,4	35 300			35 300			26,0
28,0	79,6	116,0	34 700			34 700			28,0
30,0	78,6	115,5	34 100			34 100			30,0
32,0	77,6	115,0	33 500			33 500			32,0
34,0	76,5	114,4	32 900			32 900			34,0
36,0	75,5	113,8	32 400			32 400			36,0
38,0	74,5	113,2	31 900			31 900			38,0
40,0	73,4	112,5	31 400			31 400			40,0
42,0	72,4	111,8	30 900			30 900			42,0
44,0	71,3	111,0	30 400			30 400			44,0
46,0	70,2	110,2	29 900			29 900			46,0
48,0	69,2	109,3	29 500			29 500			48,0
50,0	68,1	108,4	29 000			29 000			50,0
52,0	67,0	107,5	28 300			28 300			52,0
54,0	65,9	106,5	27 500			27 500			54,0
56,0	64,8	105,5	26 700			26 700			56,0
58,0	63,6	104,4	26 000			26 000			58,0
60,0	62,5	103,2	25 300			25 300			60,0
62,0	61,4	102,0	24 700			24 700			62,0
64,0	60,2	100,8	24 000			24 000			64,0
66,0	59,0	99,5	23 500			23 500			66,0
68,0	57,8	98,1	22 900			22 900			68,0
70,0	56,6	96,7	22 400			22 400			70,0
74,0	54,1	93,6	21 400			21 400			74,0
78,0	51,5	90,3	20 400			20 400			78,0
82,0	48,8	86,6	18 100			19 600			82,0
86,0	46,0	82,5	14 800			18 900			86,0
90,0	43,1	78,1	11 800			18 200			90,0
94,0	39,9	73,1	9 000			17 500			94,0
98,0	36,5	67,4	6 500			16 900			98,0
102,0	32,7	61,0	4 000			16 400			102,0
106,0	28,5	53,4				15 900			106,0
110,0	23,5	44,1				15 500			110,0

MLC650 VPC-MAX S-2



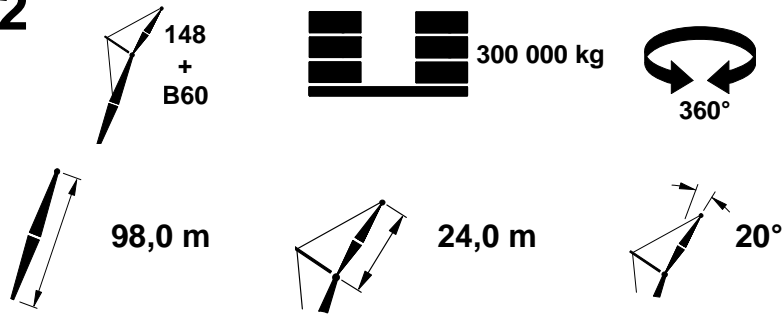
m	°	m	11,8 m			18,3 m			m
			0° kg	1° kg	2° kg	0° kg	1° kg	2° kg	
21,3									21,3
22,0									22,0
24,0									24,0
26,0	82,4	115,5	30 700			30 700			26,0
28,0	81,4	115,1	29 700	26 500		29 700	26 500		28,0
30,0	80,3	114,6	28 800	26 200	23 300	28 800	26 200	23 300	30,0
32,0	79,3	114,0	27 900	25 900	23 000	27 900	25 900	23 000	32,0
34,0	78,3	113,5	27 000	25 600	22 800	27 000	25 600	22 800	34,0
36,0	77,2	112,9	26 300	25 300	22 500	26 300	25 300	22 500	36,0
38,0	76,2	112,2	25 500	25 000	22 300	25 500	25 000	22 300	38,0
40,0	75,1	111,5	24 800	24 600	22 100	24 800	24 600	22 100	40,0
42,0	74,1	110,8	24 200	24 000	21 900	24 200	24 000	21 900	42,0
44,0	73,0	110,0	23 500	23 400	21 600	23 500	23 400	21 600	44,0
46,0	71,9	109,2	23 000	22 800	21 400	23 000	22 800	21 400	46,0
48,0	70,8	108,3	22 400	22 300	21 300	22 400	22 300	21 300	48,0
50,0	69,7	107,4	21 800	21 700	21 100	21 800	21 700	21 100	50,0
52,0	68,6	106,5	21 400	21 200	20 800	21 400	21 200	20 800	52,0
54,0	67,5	105,5	20 900	20 700	20 500	20 900	20 700	20 500	54,0
56,0	66,4	104,4	20 400	20 300	20 100	20 400	20 300	20 100	56,0
58,0	65,3	103,3	20 000	19 900	19 600	20 000	19 900	19 600	58,0
60,0	64,1	102,2	19 600	19 500	19 200	19 600	19 500	19 200	60,0
62,0	63,0	101,0	19 100	19 000	18 900	19 100	19 000	18 900	62,0
64,0	61,8	99,7	18 800	18 700	18 500	18 800	18 700	18 500	64,0
66,0	60,6	98,4	18 400	18 300	18 100	18 400	18 300	18 100	66,0
68,0	59,4	97,0	18 000	18 000	17 800	18 000	18 000	17 800	68,0
70,0	58,1	95,6	17 700	17 600	17 500	17 700	17 600	17 500	70,0
74,0	55,6	92,5	17 100	17 000	16 900	17 100	17 000	16 900	74,0
78,0	53,0	89,1	16 500	16 400	16 400	16 500	16 400	16 400	78,0
82,0	50,3	85,3	16 000	15 900	15 900	16 000	15 900	15 900	82,0
86,0	47,4	81,2	15 400	14 800	13 700	15 500	15 500	15 400	86,0
90,0	44,4	76,6	12 800	11 800	10 800	15 100	15 000	14 900	90,0
94,0	41,2	71,5	9 900	9 000	8 100	14 700	14 600	14 600	94,0
98,0	37,7	65,8	7 200	6 400	5 600	14 300	14 300	14 200	98,0
102,0	33,8	59,1	4 600	3 900	3 300	14 000	14 000	13 900	102,0
106,0	29,4	51,3				13 800	13 700	13 700	106,0
110,0									110,0

MLC650 VPC-MAX S-2



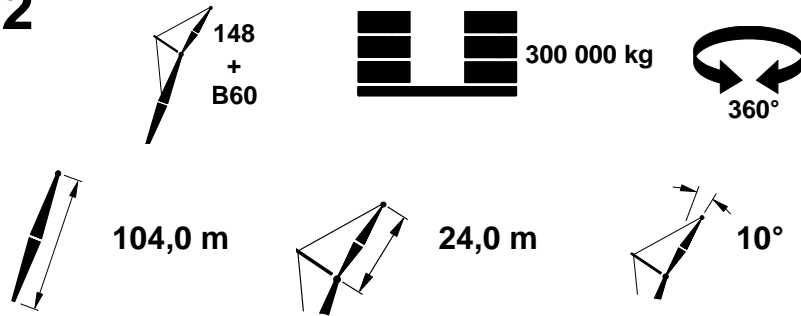
			11,8 m			18,3 m			
			0°	1°	2°	0°	1°	2°	
m	°	m	kg	kg	kg	kg	kg	kg	m
22,9	82,6	123,2	36 400			36 400			22,9
24,0	82,0	123,0	36 000			36 000			24,0
26,0	81,1	122,6	35 400	30 100		35 400	30 100		26,0
28,0	80,1	122,2	34 800	29 700	25 900	34 800	29 700	25 900	28,0
30,0	79,2	121,7	34 300	29 200	25 600	34 300	29 200	25 600	30,0
32,0	78,2	121,2	33 700	28 900	25 300	33 700	28 900	25 300	32,0
34,0	77,2	120,7	33 200	28 400	25 000	33 200	28 400	25 000	34,0
36,0	76,2	120,1	32 700	28 100	24 700	32 700	28 100	24 700	36,0
38,0	75,2	119,5	32 200	27 700	24 400	32 200	27 700	24 400	38,0
40,0	74,3	118,8	31 700	27 300	24 100	31 700	27 300	24 100	40,0
42,0	73,3	118,1	31 200	27 000	23 900	31 200	27 000	23 900	42,0
44,0	72,3	117,4	30 700	26 600	23 600	30 700	26 600	23 600	44,0
46,0	71,3	116,7	30 300	26 300	23 300	30 300	26 300	23 300	46,0
48,0	70,3	115,9	29 800	26 000	23 100	29 800	26 000	23 100	48,0
50,0	69,2	115,0	29 400	25 700	22 800	29 400	25 700	22 800	50,0
52,0	68,2	114,1	29 000	25 300	22 600	29 000	25 300	22 600	52,0
54,0	67,2	113,2	28 400	25 100	22 300	28 400	25 100	22 300	54,0
56,0	66,1	112,2	27 700	24 800	22 100	27 700	24 800	22 100	56,0
58,0	65,1	111,2	26 900	24 500	21 900	26 900	24 500	21 900	58,0
60,0	64,0	110,1	26 200	24 200	21 700	26 200	24 200	21 700	60,0
62,0	62,9	109,0	25 600	23 900	21 400	25 600	23 900	21 400	62,0
64,0	61,8	107,8	25 000	23 700	21 200	25 000	23 700	21 200	64,0
66,0	60,7	106,6	24 400	23 400	21 000	24 400	23 400	21 000	66,0
68,0	59,6	105,3	23 800	23 200	20 800	23 800	23 200	20 800	68,0
70,0	58,5	104,0	23 200	22 900	20 600	23 200	22 900	20 600	70,0
74,0	56,2	101,2	22 200	21 600	19 800	22 200	22 000	20 300	74,0
78,0	53,8	98,1	19 600	17 900	16 400	21 300	21 100	19 900	78,0
82,0	51,4	94,7	15 900	14 500	13 200	20 400	20 300	19 600	82,0
86,0	48,8	91,1	12 600	11 400	10 200	19 600	19 500	19 300	86,0
90,0	46,1	87,0	9 600	8 500	7 500	18 900	18 800	18 700	90,0
94,0	43,3	82,6	6 900		5 000	18 300	18 100	18 000	94,0
98,0	40,4	77,7	4 300			17 600	17 500	17 400	98,0
102,0	37,2	72,2				17 100	16 900	16 900	102,0
106,0	33,7	66,0				16 600	16 400	16 400	106,0
110,0	29,8	58,8				16 100	16 000	15 900	110,0
114,0	25,4	50,2				15 700	15 600	15 500	114,0
118,0	19,9	39,2				15 300	15 200	15 100	118,0

MLC650 VPC-MAX S-2



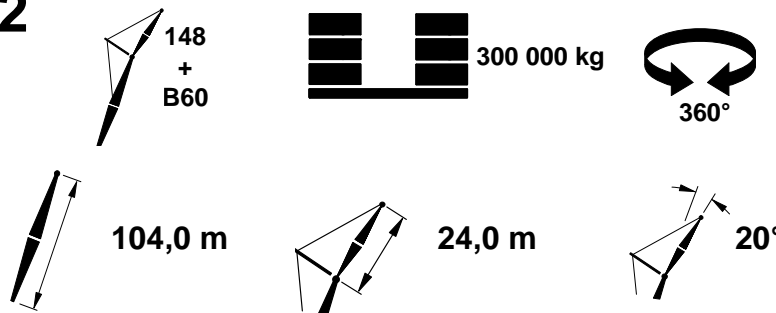
m	°	m	11,8 m			18,3 m			m
			0° kg	1° kg	2° kg	0° kg	1° kg	2° kg	
22,9									22,9
24,0									24,0
26,0	82,8	121,6	31 000			31 000			26,0
28,0	81,8	121,2	30 100			30 100			28,0
30,0	80,8	120,7	29 200	26 200		29 200	26 200		30,0
32,0	79,9	120,2	28 300	25 900	23 000	28 300	25 900	23 000	32,0
34,0	78,9	119,7	27 500	25 600	22 700	27 500	25 600	22 700	34,0
36,0	77,9	119,1	26 800	25 300	22 500	26 800	25 300	22 500	36,0
38,0	76,9	118,5	26 000	25 000	22 300	26 000	25 000	22 300	38,0
40,0	75,9	117,9	25 300	24 800	22 100	25 300	24 800	22 100	40,0
42,0	74,9	117,2	24 700	24 400	21 900	24 700	24 400	21 900	42,0
44,0	73,9	116,4	24 100	23 900	21 700	24 100	23 900	21 700	44,0
46,0	72,9	115,7	23 500	23 300	21 500	23 500	23 300	21 500	46,0
48,0	71,9	114,9	22 900	22 800	21 300	22 900	22 800	21 300	48,0
50,0	70,8	114,0	22 400	22 200	21 100	22 400	22 200	21 100	50,0
52,0	69,8	113,1	21 900	21 800	21 000	21 900	21 800	21 000	52,0
54,0	68,7	112,2	21 400	21 300	20 800	21 400	21 300	20 800	54,0
56,0	67,7	111,2	21 000	20 800	20 500	21 000	20 800	20 500	56,0
58,0	66,6	110,2	20 500	20 400	20 200	20 500	20 400	20 200	58,0
60,0	65,5	109,1	20 100	20 000	19 700	20 100	20 000	19 700	60,0
62,0	64,5	107,9	19 700	19 600	19 400	19 700	19 600	19 400	62,0
64,0	63,4	106,8	19 300	19 200	19 000	19 300	19 200	19 000	64,0
66,0	62,2	105,5	18 900	18 800	18 600	18 900	18 800	18 600	66,0
68,0	61,1	104,2	18 600	18 500	18 300	18 600	18 500	18 300	68,0
70,0	60,0	102,9	18 200	18 200	18 000	18 200	18 200	18 000	70,0
74,0	57,6	100,0	17 600	17 500	17 400	17 600	17 500	17 400	74,0
78,0	55,2	96,9	17 000	16 900	16 800	17 000	16 900	16 800	78,0
82,0	52,8	93,5	16 500	15 800	14 500	16 500	16 400	16 300	82,0
86,0	50,2	89,8	13 900	12 600	11 400	16 000	15 900	15 800	86,0
90,0	47,5	85,7	10 800	9 600	8 500	15 500	15 500	15 400	90,0
94,0	44,6	81,2	7 900	6 900	5 900	15 100	15 000	15 000	94,0
98,0	41,6	76,2	5 200	4 300		14 700	14 700	14 600	98,0
102,0	38,3	70,6				14 400	14 300	14 300	102,0
106,0	34,8	64,2				14 100	14 000	14 000	106,0
110,0	30,8	56,8				13 800	13 800	13 700	110,0
114,0									114,0
118,0									118,0

MLC650 VPC-MAX S-2



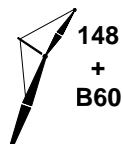
m	°	m	11,8 m			18,3 m			m
			0°	1°	2°	0°	1°	2°	
			kg	kg	kg	kg	kg	kg	
22,9	82,9	129,3	36 400			36 400			22,9
24,0	82,4	129,1	36 000			36 000			24,0
26,0	81,5	128,7	35 500	30 000		35 500	30 000		26,0
28,0	80,6	128,3	34 900	29 600	25 800	34 900	29 600	25 800	28,0
30,0	79,7	127,8	34 400	29 200	25 500	34 400	29 200	25 500	30,0
32,0	78,7	127,4	33 900	28 800	25 200	33 900	28 800	25 200	32,0
34,0	77,8	126,9	33 300	28 500	25 000	33 300	28 500	25 000	34,0
36,0	76,9	126,3	32 800	28 100	24 700	32 800	28 100	24 700	36,0
38,0	76,0	125,7	32 400	27 800	24 400	32 400	27 800	24 400	38,0
40,0	75,0	125,1	31 900	27 400	24 200	31 900	27 400	24 200	40,0
42,0	74,1	124,5	31 400	27 100	23 900	31 400	27 100	23 900	42,0
44,0	73,1	123,8	31 000	26 800	23 600	31 000	26 800	23 600	44,0
46,0	72,2	123,1	30 500	26 500	23 400	30 500	26 500	23 400	46,0
48,0	71,2	122,3	30 100	26 100	23 100	30 100	26 100	23 100	48,0
50,0	70,3	121,5	29 700	25 800	22 900	29 700	25 800	22 900	50,0
52,0	69,3	120,7	29 300	25 500	22 700	29 300	25 500	22 700	52,0
54,0	68,3	119,8	28 900	25 200	22 400	28 900	25 200	22 400	54,0
56,0	67,3	118,9	28 600	25 000	22 200	28 600	25 000	22 200	56,0
58,0	66,3	117,9	27 900	24 700	22 000	27 900	24 700	22 000	58,0
60,0	65,3	116,9	27 200	24 400	21 800	27 200	24 400	21 800	60,0
62,0	64,3	115,9	26 500	24 200	21 600	26 500	24 200	21 600	62,0
64,0	63,3	114,8	25 900	23 900	21 400	25 900	23 900	21 400	64,0
66,0	62,3	113,6	25 200	23 700	21 200	25 200	23 700	21 200	66,0
68,0	61,2	112,4	24 700	23 400	21 000	24 700	23 400	21 000	68,0
70,0	60,2	111,2	24 100	23 200	20 800	24 100	23 200	20 800	70,0
74,0	58,0	108,6	23 100	22 700	20 400	23 100	22 700	20 400	74,0
78,0	55,8	105,7	21 600	19 800	18 000	22 100	21 900	20 100	78,0
82,0	53,6	102,6	17 800	16 200	14 700	21 200	21 100	19 800	82,0
86,0	51,2	99,2	14 300	12 900	11 600	20 400	20 300	19 500	86,0
90,0	48,8	95,5	11 200	9 900	8 700	19 700	19 500	19 200	90,0
94,0	46,2	91,5	8 300	7 200	6 100	19 000	18 800	18 700	94,0
98,0	43,6	87,2	5 600	4 600	3 700	18 300	18 200	18 100	98,0
102,0	40,8	82,3	3 100			17 700	17 600	17 500	102,0
106,0	37,8	77,0				17 200	17 100	17 000	106,0
110,0	34,6	71,0				16 700	16 600	16 500	110,0
114,0	31,0	64,1				16 200	16 100	16 000	114,0
118,0	27,0	56,1				15 800	15 700	15 600	118,0
122,0	22,2	46,2				15 500	15 300	15 300	122,0

MLC650 VPC-MAX S-2

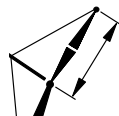


m	°	m	11,8 m			18,3 m			m
			0° kg	1° kg	2° kg	0° kg	1° kg	2° kg	
22,9									22,9
24,0									24,0
26,0									26,0
28,0	82,2	127,3	30 500			30 500			28,0
30,0	81,3	126,9	29 600	26 200		29 600	26 200		30,0
32,0	80,4	126,4	28 800	25 900	22 900	28 800	25 900	22 900	32,0
34,0	79,4	125,9	28 000	25 600	22 700	28 000	25 600	22 700	34,0
36,0	78,5	125,4	27 200	25 300	22 500	27 200	25 300	22 500	36,0
38,0	77,5	124,8	26 500	25 100	22 300	26 500	25 100	22 300	38,0
40,0	76,6	124,2	25 800	24 800	22 100	25 800	24 800	22 100	40,0
42,0	75,6	123,5	25 200	24 600	21 900	25 200	24 600	21 900	42,0
44,0	74,7	122,8	24 600	24 300	21 700	24 600	24 300	21 700	44,0
46,0	73,7	122,1	24 000	23 800	21 500	24 000	23 800	21 500	46,0
48,0	72,8	121,3	23 500	23 300	21 300	23 500	23 300	21 300	48,0
50,0	71,8	120,5	22 900	22 800	21 200	22 900	22 800	21 200	50,0
52,0	70,8	119,7	22 400	22 300	21 000	22 400	22 300	21 000	52,0
54,0	69,8	118,8	21 900	21 800	20 800	21 900	21 800	20 800	54,0
56,0	68,8	117,9	21 500	21 300	20 600	21 500	21 300	20 600	56,0
58,0	67,8	116,9	21 000	20 900	20 500	21 000	20 900	20 500	58,0
60,0	66,8	115,9	20 600	20 500	20 200	20 600	20 500	20 200	60,0
62,0	65,8	114,8	20 200	20 100	19 800	20 200	20 100	19 800	62,0
64,0	64,8	113,7	19 800	19 700	19 500	19 800	19 700	19 500	64,0
66,0	63,7	112,5	19 500	19 300	19 100	19 500	19 300	19 100	66,0
68,0	62,7	111,3	19 100	19 000	18 800	19 100	19 000	18 800	68,0
70,0	61,6	110,1	18 800	18 600	18 400	18 800	18 600	18 400	70,0
74,0	59,4	107,4	18 100	18 000	17 800	18 100	18 000	17 800	74,0
78,0	57,2	104,5	17 500	17 400	17 300	17 500	17 400	17 300	78,0
82,0	54,9	101,4	17 000	16 900	16 100	17 000	16 900	16 700	82,0
86,0	52,5	98,0	15 700	14 300	12 900	16 500	16 400	16 300	86,0
90,0	50,1	94,2	12 400	11 100	9 900	16 000	15 900	15 800	90,0
94,0	47,5	90,2	9 400	8 300	7 200	15 500	15 500	15 400	94,0
98,0	44,8	85,7	6 600	5 600	4 600	15 200	15 100	15 000	98,0
102,0	41,9	80,8	4 000	3 100		14 800	14 700	14 700	102,0
106,0	38,9	75,3				14 500	14 400	14 300	106,0
110,0	35,6	69,2				14 200	14 100	14 100	110,0
114,0	31,9	62,1				13 900	13 800	13 800	114,0
118,0									118,0
122,0									122,0

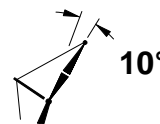
MLC650 VPC-MAX S-2



110,0 m



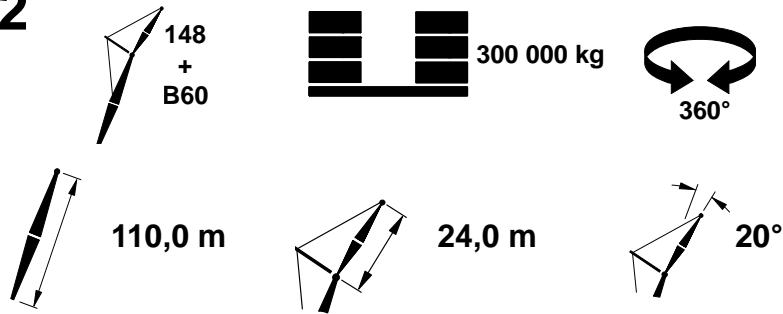
24,0 m



10°

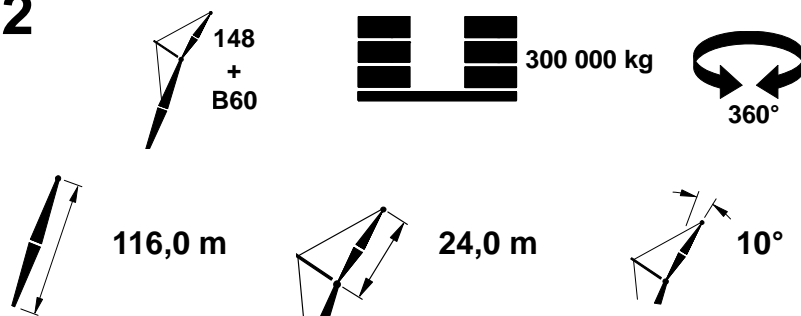
m	°	m	11,8 m			18,3 m			m
			0°	1°	2°	0°	1°	2°	
			kg	kg	kg	kg	kg	kg	
24,4	82,6	135,1	35 800			35 800			24,4
26,0	81,9	134,8	35 400	29 900		35 400	29 900		26,0
28,0	81,0	134,4	34 900	29 500		34 900	29 500		28,0
30,0	80,1	134,0	34 400	29 100	25 400	34 400	29 100	25 400	30,0
32,0	79,3	133,5	33 900	28 800	25 100	33 900	28 800	25 100	32,0
34,0	78,4	133,1	33 400	28 400	24 800	33 400	28 400	24 800	34,0
36,0	77,5	132,5	32 900	28 100	24 600	32 900	28 100	24 600	36,0
38,0	76,6	132,0	32 500	27 700	24 300	32 500	27 700	24 300	38,0
40,0	75,7	131,4	32 000	27 400	24 100	32 000	27 400	24 100	40,0
42,0	74,8	130,8	31 600	27 100	23 800	31 600	27 100	23 800	42,0
44,0	73,9	130,1	31 100	26 800	23 600	31 100	26 800	23 600	44,0
46,0	73,0	129,5	30 700	26 500	23 400	30 700	26 500	23 400	46,0
48,0	72,1	128,7	30 300	26 200	23 100	30 300	26 200	23 100	48,0
50,0	71,2	128,0	29 900	25 900	22 900	29 900	25 900	22 900	50,0
52,0	70,3	127,2	29 600	25 600	22 700	29 600	25 600	22 700	52,0
54,0	69,4	126,3	29 200	25 400	22 500	29 200	25 400	22 500	54,0
56,0	68,4	125,5	28 800	25 100	22 300	28 800	25 100	22 300	56,0
58,0	67,5	124,6	28 500	24 800	22 000	28 500	24 800	22 000	58,0
60,0	66,5	123,6	27 800	24 600	21 900	27 800	24 600	21 900	60,0
62,0	65,6	122,6	27 100	24 300	21 700	27 100	24 300	21 700	62,0
64,0	64,6	121,6	26 500	24 100	21 500	26 500	24 100	21 500	64,0
66,0	63,6	120,5	25 900	23 800	21 300	25 900	23 800	21 300	66,0
68,0	62,7	119,4	25 300	23 600	21 100	25 300	23 600	21 100	68,0
70,0	61,7	118,2	24 700	23 400	20 900	24 700	23 400	20 900	70,0
74,0	59,7	115,8	23 200	21 200	19 200	23 700	22 900	20 600	74,0
78,0	57,6	113,1	19 200	17 300	15 500	22 700	22 500	20 200	78,0
82,0	55,5	110,2	15 400	13 700	12 100	21 800	21 700	20 000	82,0
86,0	53,3	107,1	12 000	10 500	9 000	21 000	20 800	19 600	86,0
90,0	51,1	103,7	8 900	7 500	6 200	20 300	20 100	19 400	90,0
94,0	48,8	100,0	6 000	4 800	3 600	19 600	19 400	19 100	94,0
98,0	46,3	96,0				18 900	18 800	18 700	98,0
102,0	43,8	91,7				18 300	18 200	18 100	102,0
106,0	41,2	86,9				17 800	17 600	17 500	106,0
110,0	38,3	81,7				17 200	17 100	17 000	110,0
114,0	35,3	75,8				16 800	16 600	16 500	114,0
118,0	32,0	69,3				16 300	16 200	16 100	118,0
122,0	28,3	61,6				15 900	15 800	15 700	122,0
126,0	24,1	52,6				15 000	14 700	14 000	126,0

MLC650 VPC-MAX S-2



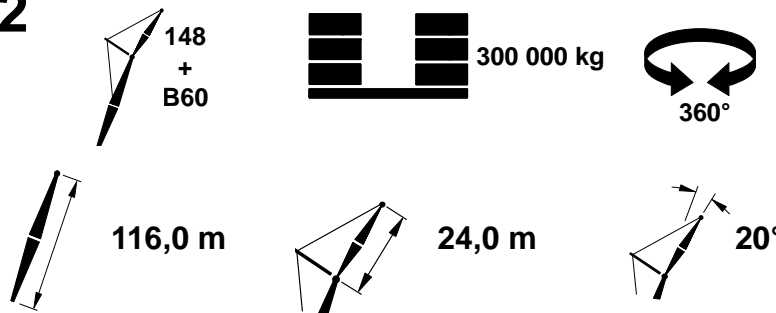
m	°	m	11,8 m			18,3 m			m
			0° kg	1° kg	2° kg	0° kg	1° kg	2° kg	
24,4									24,4
26,0									26,0
28,0	82,6	133,5	30 600			30 600			28,0
30,0	81,7	133,0	29 900			29 900			30,0
32,0	80,8	132,6	29 100	25 800	22 800	29 100	25 800	22 800	32,0
34,0	79,9	132,1	28 300	25 500	22 600	28 300	25 500	22 600	34,0
36,0	79,0	131,6	27 600	25 300	22 400	27 600	25 300	22 400	36,0
38,0	78,1	131,0	26 900	25 000	22 200	26 900	25 000	22 200	38,0
40,0	77,2	130,4	26 200	24 800	22 000	26 200	24 800	22 000	40,0
42,0	76,3	129,8	25 600	24 600	21 800	25 600	24 600	21 800	42,0
44,0	75,4	129,2	25 000	24 400	21 700	25 000	24 400	21 700	44,0
46,0	74,5	128,5	24 400	24 100	21 500	24 400	24 100	21 500	46,0
48,0	73,6	127,7	23 800	23 700	21 300	23 800	23 700	21 300	48,0
50,0	72,7	127,0	23 300	23 100	21 200	23 300	23 100	21 200	50,0
52,0	71,7	126,2	22 800	22 600	21 000	22 800	22 600	21 000	52,0
54,0	70,8	125,3	22 300	22 200	20 800	22 300	22 200	20 800	54,0
56,0	69,9	124,4	21 900	21 700	20 700	21 900	21 700	20 700	56,0
58,0	68,9	123,5	21 400	21 300	20 500	21 400	21 300	20 500	58,0
60,0	68,0	122,6	21 000	20 900	20 400	21 000	20 900	20 400	60,0
62,0	67,0	121,6	20 600	20 500	20 200	20 600	20 500	20 200	62,0
64,0	66,0	120,5	20 200	20 100	19 900	20 200	20 100	19 900	64,0
66,0	65,0	119,4	19 900	19 700	19 600	19 900	19 700	19 600	66,0
68,0	64,0	118,3	19 500	19 400	19 200	19 500	19 400	19 200	68,0
70,0	63,0	117,1	19 100	19 000	18 900	19 100	19 000	18 900	70,0
74,0	61,0	114,6	18 500	18 400	18 300	18 500	18 400	18 300	74,0
78,0	58,9	111,9	17 900	17 800	17 200	17 900	17 800	17 700	78,0
82,0	56,8	109,0	17 000	15 300	13 700	17 400	17 200	17 200	82,0
86,0	54,6	105,8	13 500	12 000	10 500	16 800	16 700	16 700	86,0
90,0	52,3	102,4	10 200	8 800	7 500	16 400	16 300	16 200	90,0
94,0	50,0	98,7	7 200	6 000	4 800	15 900	15 900	15 800	94,0
98,0	47,5	94,7	4 400			15 500	15 500	15 400	98,0
102,0	45,0	90,3				15 100	15 100	15 000	102,0
106,0	42,3	85,4				14 800	14 700	14 700	106,0
110,0	39,4	80,1				14 500	14 400	14 400	110,0
114,0	36,3	74,1				14 200	14 100	14 100	114,0
118,0	32,9	67,3				14 000	13 900	13 900	118,0
122,0	29,1	59,5				13 700	13 700	13 700	122,0
126,0									126,0

MLC650 VPC-MAX S-2



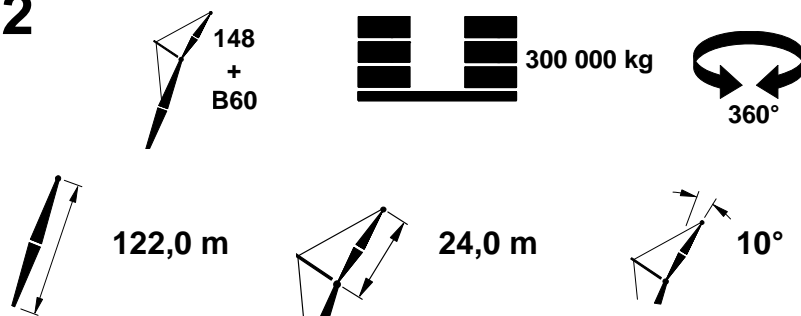
m	°	m	11,8 m			18,3 m			m
			0°	1°	2°	0°	1°	2°	
			kg	kg	kg	kg	kg	kg	
24,4	82,9	141,2	35 700			35 700			24,4
26,0	82,2	140,9	35 300			35 300			26,0
28,0	81,4	140,5	34 800	29 300		34 800	29 300		28,0
30,0	80,6	140,1	34 300	29 000		34 300	29 000		30,0
32,0	79,7	139,7	33 900	28 600	24 900	33 900	28 600	24 900	32,0
34,0	78,9	139,2	33 400	28 300	24 700	33 400	28 300	24 700	34,0
36,0	78,0	138,7	32 900	28 000	24 400	32 900	28 000	24 400	36,0
38,0	77,2	138,2	32 500	27 700	24 200	32 500	27 700	24 200	38,0
40,0	76,4	137,7	32 100	27 400	24 000	32 100	27 400	24 000	40,0
42,0	75,5	137,1	31 700	27 100	23 800	31 700	27 100	23 800	42,0
44,0	74,6	136,5	31 300	26 800	23 500	31 300	26 800	23 500	44,0
46,0	73,8	135,8	30 900	26 500	23 300	30 900	26 500	23 300	46,0
48,0	72,9	135,1	30 500	26 200	23 100	30 500	26 200	23 100	48,0
50,0	72,0	134,4	30 100	26 000	22 900	30 100	26 000	22 900	50,0
52,0	71,2	133,6	29 700	25 700	22 700	29 700	25 700	22 700	52,0
54,0	70,3	132,8	29 400	25 400	22 500	29 400	25 400	22 500	54,0
56,0	69,4	132,0	29 000	25 200	22 300	29 000	25 200	22 300	56,0
58,0	68,5	131,2	28 700	24 900	22 100	28 700	24 900	22 100	58,0
60,0	67,6	130,3	28 300	24 700	21 900	28 300	24 700	21 900	60,0
62,0	66,7	129,3	27 800	24 400	21 700	27 800	24 400	21 700	62,0
64,0	65,8	128,3	27 200	24 200	21 500	27 200	24 200	21 500	64,0
66,0	64,9	127,3	26 600	24 000	21 300	26 600	24 000	21 300	66,0
68,0	64,0	126,3	26 000	23 700	21 200	26 000	23 700	21 200	68,0
70,0	63,0	125,2	25 400	23 500	21 000	25 400	23 500	21 000	70,0
74,0	61,1	122,8	23 100	20 800	18 600	24 300	23 100	20 700	74,0
78,0	59,2	120,3	18 900	16 900	15 000	23 400	22 700	20 400	78,0
82,0	57,2	117,6	15 200	13 300	11 600	22 500	22 300	20 100	82,0
86,0	55,2	114,7	11 700	10 100	8 600	21 600	21 500	19 800	86,0
90,0	53,1	111,5	8 600	7 100	5 700	20 900	20 700	19 500	90,0
94,0	50,9	108,1	5 700	4 400		20 200	20 000	19 300	94,0
98,0	48,7	104,5				19 500	19 300	19 000	98,0
102,0	46,4	100,5				18 900	18 800	18 600	102,0
106,0	44,0	96,2				18 300	18 200	18 100	106,0
110,0	41,5	91,5				17 800	17 700	17 600	110,0
114,0	38,8	86,4				17 300	17 200	17 100	114,0
118,0	36,0	80,7				16 800	16 700	16 600	118,0
122,0	32,9	74,3				16 400	16 300	16 600	122,0
126,0	29,5	67,1				14 900	14 600	13 700	126,0
130,0	25,7	58,6				13 000	12 700	12 000	130,0
134,0	21,1	48,2				11 200	11 000	10 300	134,0

MLC650 VPC-MAX S-2



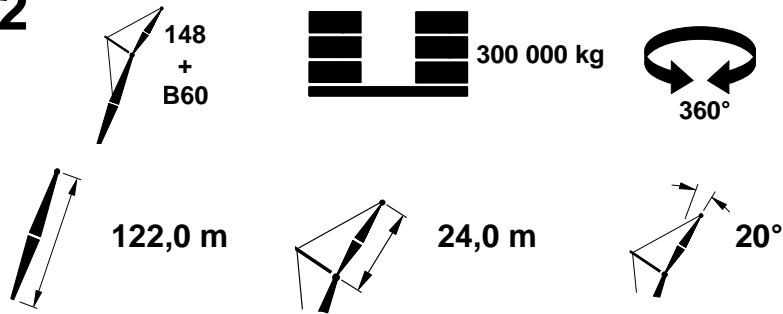
m	°	m	11,8 m			18,3 m			m
			0°	1°	2°	0°	1°	2°	
			kg	kg	kg	kg	kg	kg	
24,4									24,4
26,0									26,0
28,0									28,0
30,0	82,0	139,2	30 100			30 100			30,0
32,0	81,2	138,7	29 400	25 700		29 400	25 700		32,0
34,0	80,4	138,3	28 700	25 400	22 500	28 700	25 400	22 500	34,0
36,0	79,5	137,8	27 900	25 200	22 300	27 900	25 200	22 300	36,0
38,0	78,6	137,2	27 200	25 000	22 100	27 200	25 000	22 100	38,0
40,0	77,8	136,7	26 600	24 800	21 900	26 600	24 800	21 900	40,0
42,0	76,9	136,1	26 000	24 600	21 800	26 000	24 600	21 800	42,0
44,0	76,1	135,5	25 300	24 300	21 600	25 300	24 300	21 600	44,0
46,0	75,2	134,8	24 800	24 100	21 400	24 800	24 100	21 400	46,0
48,0	74,3	134,1	24 200	23 900	21 300	24 200	23 900	21 300	48,0
50,0	73,5	133,4	23 700	23 500	21 100	23 700	23 500	21 100	50,0
52,0	72,6	132,6	23 200	23 000	21 000	23 200	23 000	21 000	52,0
54,0	71,7	131,8	22 700	22 600	20 800	22 700	22 600	20 800	54,0
56,0	70,8	131,0	22 300	22 100	20 700	22 300	22 100	20 700	56,0
58,0	69,9	130,1	21 800	21 700	20 500	21 800	21 700	20 500	58,0
60,0	69,0	129,2	21 400	21 300	20 400	21 400	21 300	20 400	60,0
62,0	68,1	128,3	21 000	20 900	20 200	21 000	20 900	20 200	62,0
64,0	67,2	127,3	20 600	20 500	20 100	20 600	20 500	20 100	64,0
66,0	66,2	126,2	20 200	20 100	20 000	20 200	20 100	20 000	66,0
68,0	65,3	125,2	19 900	19 800	19 700	19 900	19 800	19 700	68,0
70,0	64,3	124,1	19 600	19 400	19 300	19 600	19 400	19 300	70,0
74,0	62,4	121,7	18 900	18 800	18 700	18 900	18 800	18 700	74,0
78,0	60,5	119,2	18 300	18 100	16 700	18 300	18 200	18 100	78,0
82,0	58,5	116,4	16 900	15 000	13 200	17 700	17 600	17 600	82,0
86,0	56,4	113,5	13 300	11 600	10 000	17 200	17 100	17 000	86,0
90,0	54,3	110,3	10 000	8 500	7 100	16 700	16 700	16 600	90,0
94,0	52,2	106,9	7 000	5 700	4 400	16 300	16 200	16 100	94,0
98,0	49,9	103,2	4 300			15 900	15 800	15 700	98,0
102,0	47,6	99,2				15 500	15 400	15 300	102,0
106,0	45,1	94,8				15 100	15 100	15 000	106,0
110,0	42,6	90,0				14 800	14 700	14 700	110,0
114,0	39,8	84,8				14 500	14 500	14 400	114,0
118,0	36,9	79,0				14 200	14 200	14 100	118,0
122,0	33,8	72,4				14 000	14 000	13 900	122,0
126,0	30,3	65,0				13 800	13 800	13 700	126,0
130,0									130,0
134,0									134,0

MLC650 VPC-MAX S-2



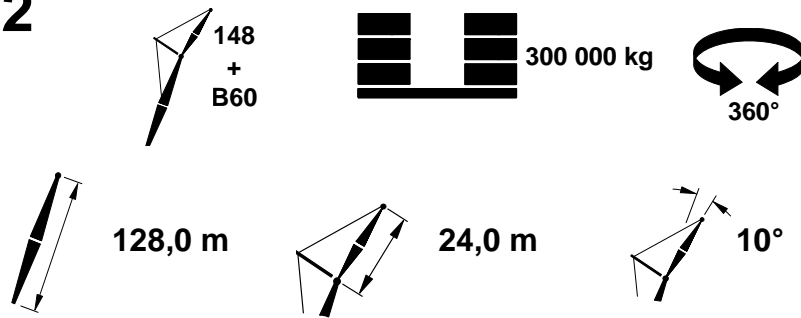
m	°	m	11,8 m			18,3 m			m
			0°	1°	2°	0°	1°	2°	
			kg	kg	kg	kg	kg	kg	
25,9	82,6	147,0	35 200			35 200			25,9
26,0	82,6	147,0	35 200			35 200			26,0
28,0	81,8	146,6	34 700	29 100		34 700	29 100		28,0
30,0	81,0	146,3	34 200	28 800		34 200	28 800		30,0
32,0	80,2	145,8	33 800	28 500	24 700	33 800	28 500	24 700	32,0
34,0	79,4	145,4	33 400	28 200	24 500	33 400	28 200	24 500	34,0
36,0	78,6	144,9	32 900	27 900	24 300	32 900	27 900	24 300	36,0
38,0	77,7	144,4	32 500	27 600	24 000	32 500	27 600	24 000	38,0
40,0	76,9	143,9	32 100	27 300	23 800	32 100	27 300	23 800	40,0
42,0	76,1	143,3	31 700	27 000	23 600	31 700	27 000	23 600	42,0
44,0	75,3	142,7	31 300	26 700	23 400	31 300	26 700	23 400	44,0
46,0	74,5	142,1	31 000	26 500	23 200	31 000	26 500	23 200	46,0
48,0	73,6	141,5	30 600	26 200	23 000	30 600	26 200	23 000	48,0
50,0	72,8	140,8	30 200	25 900	22 800	30 200	25 900	22 800	50,0
52,0	72,0	140,1	29 900	25 700	22 600	29 900	25 700	22 600	52,0
54,0	71,1	139,3	29 500	25 400	22 400	29 500	25 400	22 400	54,0
56,0	70,3	138,5	29 200	25 200	22 200	29 200	25 200	22 200	56,0
58,0	69,4	137,7	28 900	25 000	22 000	28 900	25 000	22 000	58,0
60,0	68,6	136,8	28 500	24 700	21 900	28 500	24 700	21 900	60,0
62,0	67,7	135,9	28 200	24 500	21 700	28 200	24 500	21 700	62,0
64,0	66,9	135,0	27 900	24 300	21 500	27 900	24 300	21 500	64,0
66,0	66,0	134,0	27 300	24 100	21 400	27 300	24 100	21 400	66,0
68,0	65,1	133,0	26 700	23 800	21 200	26 700	23 800	21 200	68,0
70,0	64,2	132,0	25 500	22 700	20 100	26 100	23 600	21 000	70,0
74,0	62,4	129,8	20 900	18 400	16 100	25 100	23 200	20 700	74,0
78,0	60,6	127,4	16 700	14 500	12 400	24 100	22 900	20 400	78,0
82,0	58,8	124,9	12 900	10 900	9 100	23 200	22 500	20 100	82,0
86,0	56,8	122,1	9 400	7 700	6 100	22 300	22 100	19 900	86,0
90,0	54,9	119,2	6 300	4 700		21 500	21 400	19 600	90,0
94,0	52,9	116,0	3 400			20 800	20 700	19 400	94,0
98,0	50,8	112,6				20 100	20 000	19 200	98,0
102,0	48,7	109,0				19 500	19 300	18 900	102,0
106,0	46,5	105,0				18 900	18 800	18 600	106,0
110,0	44,2	100,7				18 300	18 200	18 100	110,0
114,0	41,8	96,1				17 800	17 700	17 600	114,0
118,0	39,3	91,1				17 100	16 800	15 600	118,0
122,0	36,6	85,5				15 100	14 700	13 700	122,0
126,0	33,7	79,3				13 100	12 800	11 800	126,0
130,0	30,5	72,3				11 300	11 000	10 100	130,0
134,0	27,0	64,3				9 500	9 200	8 400	134,0
138,0	23,0	54,8				7 800	7 600	6 900	138,0

MLC650 VPC-MAX S-2



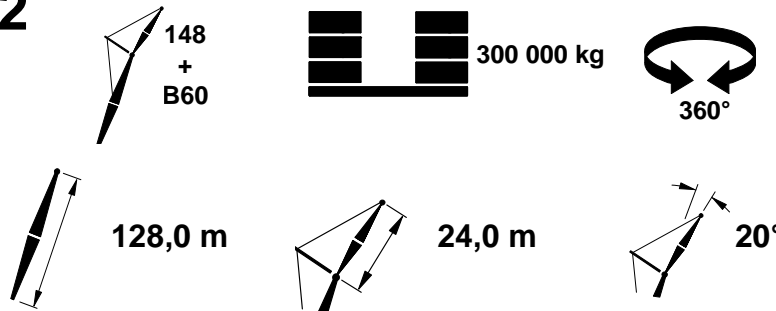
m	°	m	11,8 m			18,3 m			m
			0° kg	1° kg	2° kg	0° kg	1° kg	2° kg	
25,9									25,9
26,0									26,0
28,0									28,0
30,0	82,4	145,3	30 100			30 100			30,0
32,0	81,6	144,9	29 800	25 600		29 800	25 600		32,0
34,0	80,8	144,4	29 000	25 300	22 300	29 000	25 300	22 300	34,0
36,0	79,9	143,9	28 300	25 100	22 100	28 300	25 100	22 100	36,0
38,0	79,1	143,4	27 600	24 900	22 000	27 600	24 900	22 000	38,0
40,0	78,3	142,9	27 000	24 700	21 800	27 000	24 700	21 800	40,0
42,0	77,5	142,3	26 300	24 500	21 600	26 300	24 500	21 600	42,0
44,0	76,7	141,7	25 800	24 300	21 500	25 800	24 300	21 500	44,0
46,0	75,8	141,1	25 200	24 100	21 300	25 200	24 100	21 300	46,0
48,0	75,0	140,4	24 600	23 900	21 200	24 600	23 900	21 200	48,0
50,0	74,2	139,8	24 100	23 700	21 000	24 100	23 700	21 000	50,0
52,0	73,3	139,0	23 600	23 400	20 900	23 600	23 400	20 900	52,0
54,0	72,5	138,3	23 200	23 000	20 700	23 200	23 000	20 700	54,0
56,0	71,6	137,5	22 700	22 500	20 600	22 700	22 500	20 600	56,0
58,0	70,8	136,6	22 200	22 100	20 500	22 200	22 100	20 500	58,0
60,0	69,9	135,8	21 800	21 700	20 300	21 800	21 700	20 300	60,0
62,0	69,0	134,9	21 400	21 300	20 200	21 400	21 300	20 200	62,0
64,0	68,2	133,9	21 000	20 900	20 100	21 000	20 900	20 100	64,0
66,0	67,3	133,0	20 700	20 500	20 000	20 700	20 500	20 000	66,0
68,0	66,4	132,0	20 300	20 200	19 900	20 300	20 200	19 900	68,0
70,0	65,5	130,9	20 000	19 900	19 700	20 000	19 900	19 700	70,0
74,0	63,7	128,7	19 300	19 200	18 200	19 300	19 200	19 100	74,0
78,0	61,9	126,3	18 500	16 500	14 300	18 700	18 600	18 500	78,0
82,0	60,0	123,7	14 800	12 700	10 900	18 100	18 100	18 000	82,0
86,0	58,1	120,9	11 200	9 400	7 700	17 600	17 500	17 500	86,0
90,0	56,1	118,0	7 900	6 300	4 700	17 200	17 000	17 000	90,0
94,0	54,1	114,8	4 900	3 400		16 700	16 600	16 500	94,0
98,0	52,0	111,3				16 300	16 200	16 100	98,0
102,0	49,8	107,6				15 900	15 800	15 700	102,0
106,0	47,6	103,6				15 500	15 400	15 400	106,0
110,0	45,3	99,3				15 200	15 100	15 000	110,0
114,0	42,8	94,6				14 800	14 800	14 700	114,0
118,0	40,2	89,4				14 600	14 500	14 400	118,0
122,0	37,5	83,8				14 300	14 200	14 100	122,0
126,0	34,5	77,5				13 500	13 200	12 200	126,0
130,0	31,3	70,3				11 600	11 300	10 400	130,0
134,0	27,7	62,0				9 700	9 500	8 700	134,0
138,0									138,0

MLC650 VPC-MAX S-2



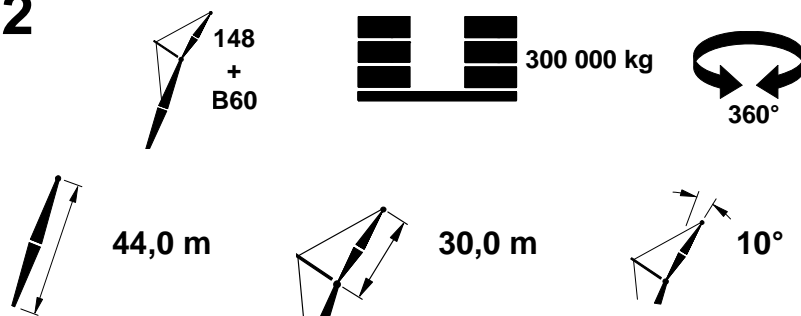
m	°	m	11,8 m			18,3 m			m
			0°	1°	2°	0°	1°	2°	
			kg	kg	kg	kg	kg	kg	
25,9	82,9	153,1	34 900			34 900			25,9
26,0	82,9	153,0	34 900			34 900			26,0
28,0	82,1	152,7	34 400			34 400			28,0
30,0	81,3	152,3	34 000	28 500		34 000	28 500		30,0
32,0	80,6	152,0	33 600	28 200	24 400	33 600	28 200	24 400	32,0
34,0	79,8	151,5	33 200	27 900	24 200	33 200	27 900	24 200	34,0
36,0	79,0	151,1	32 800	27 600	24 000	32 800	27 600	24 000	36,0
38,0	78,2	150,6	32 400	27 400	23 800	32 400	27 400	23 800	38,0
40,0	77,5	150,1	32 000	27 100	23 600	32 000	27 100	23 600	40,0
42,0	76,7	149,5	31 700	26 900	23 400	31 700	26 900	23 400	42,0
44,0	75,9	149,0	31 300	26 600	23 200	31 300	26 600	23 200	44,0
46,0	75,1	148,4	31 000	26 300	23 000	31 000	26 300	23 000	46,0
48,0	74,3	147,7	30 600	26 100	22 800	30 600	26 100	22 800	48,0
50,0	73,5	147,1	30 300	25 800	22 600	30 300	25 800	22 600	50,0
52,0	72,7	146,4	29 900	25 600	22 500	29 900	25 600	22 500	52,0
54,0	71,9	145,7	29 600	25 400	22 300	29 600	25 400	22 300	54,0
56,0	71,1	144,9	29 300	25 200	22 100	29 300	25 200	22 100	56,0
58,0	70,3	144,1	29 000	24 900	21 900	29 000	24 900	21 900	58,0
60,0	69,5	143,3	28 700	24 700	21 800	28 700	24 700	21 800	60,0
62,0	68,7	142,5	28 400	24 500	21 600	28 400	24 500	21 600	62,0
64,0	67,8	141,6	28 100	24 300	21 500	28 100	24 300	21 500	64,0
66,0	67,0	140,7	27 800	24 100	21 300	27 800	24 100	21 300	66,0
68,0	66,2	139,7	27 200	23 900	21 100	27 400	23 900	21 100	68,0
70,0	65,3	138,7	25 100	22 200	19 500	26 900	23 700	21 000	70,0
74,0	63,6	136,6	20 400	17 800	15 400	25 800	23 300	20 700	74,0
78,0	61,9	134,4	16 200	13 900	11 800	24 800	22 900	20 400	78,0
82,0	60,1	132,0	12 400	10 400	8 500	23 900	22 600	20 200	82,0
86,0	58,3	129,4	9 000	7 100	5 400	23 000	22 200	19 900	86,0
90,0	56,5	126,6	5 800	4 200		22 200	21 900	19 700	90,0
94,0	54,6	123,6				21 400	21 200	19 400	94,0
98,0	52,7	120,5				20 700	20 600	19 200	98,0
102,0	50,7	117,1				20 100	19 900	19 000	102,0
106,0	48,7	113,4				19 500	19 300	18 800	106,0
110,0	46,6	109,5				18 900	18 800	18 600	110,0
114,0	44,4	105,2				18 400	18 300	17 200	114,0
118,0	42,1	100,6				16 800	16 400	15 100	118,0
122,0	39,7	95,7				14 700	14 300	13 200	122,0
126,0	37,1	90,2				12 700	12 400	11 400	126,0
130,0	34,4	84,2				10 900	10 600	9 600	130,0
134,0	31,4	77,5				9 100	8 800	8 000	134,0
138,0	28,2	69,8				7 500	7 200	6 400	138,0
142,0	24,5	60,9				5 800	5 600	5 000	142,0
146,0	20,1	50,1				3 800	4 100	3 600	146,0

MLC650 VPC-MAX S-2



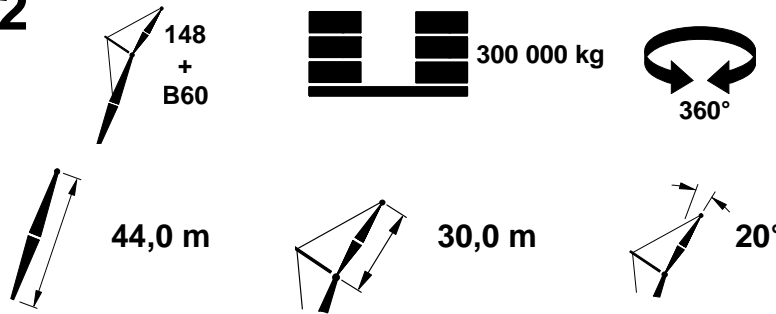
m	°	m	11,8 m			18,3 m			m
			0° kg	1° kg	2° kg	0° kg	1° kg	2° kg	
25,9									25,9
26,0									26,0
28,0									28,0
30,0									30,0
32,0	81,9	151,0	29 700	25 300		29 700	25 300		32,0
34,0	81,1	150,5	29 300	25 100		29 300	25 100		34,0
36,0	80,4	150,1	28 600	24 900	21 900	28 600	24 900	21 900	36,0
38,0	79,6	149,6	27 900	24 700	21 700	27 900	24 700	21 700	38,0
40,0	78,8	149,1	27 300	24 500	21 600	27 300	24 500	21 600	40,0
42,0	78,0	148,5	26 700	24 300	21 400	26 700	24 300	21 400	42,0
44,0	77,2	148,0	26 100	24 100	21 300	26 100	24 100	21 300	44,0
46,0	76,4	147,4	25 600	24 000	21 200	25 600	24 000	21 200	46,0
48,0	75,6	146,7	25 000	23 800	21 000	25 000	23 800	21 000	48,0
50,0	74,8	146,1	24 500	23 600	20 900	24 500	23 600	20 900	50,0
52,0	74,0	145,4	24 000	23 400	20 800	24 000	23 400	20 800	52,0
54,0	73,2	144,6	23 500	23 300	20 600	23 500	23 300	20 600	54,0
56,0	72,4	143,9	23 100	22 900	20 500	23 100	22 900	20 500	56,0
58,0	71,6	143,1	22 700	22 500	20 400	22 700	22 500	20 400	58,0
60,0	70,8	142,3	22 300	22 100	20 300	22 300	22 100	20 300	60,0
62,0	69,9	141,4	21 900	21 700	20 100	21 900	21 700	20 100	62,0
64,0	69,1	140,5	21 500	21 300	20 000	21 500	21 300	20 000	64,0
66,0	68,3	139,6	21 100	20 900	19 900	21 100	20 900	19 900	66,0
68,0	67,4	138,6	20 700	20 600	19 800	20 700	20 600	19 800	68,0
70,0	66,6	137,6	20 400	20 300	19 700	20 400	20 300	19 700	70,0
74,0	64,9	135,5	19 700	19 500	17 600	19 700	19 600	19 500	74,0
78,0	63,1	133,3	18 300	15 900	13 700	19 100	19 000	18 900	78,0
82,0	61,3	130,8	14 400	12 200	10 300	18 600	18 500	18 400	82,0
86,0	59,5	128,2	10 800	8 900	7 100	18 000	17 900	17 900	86,0
90,0	57,7	125,4	7 500	5 800	4 200	17 500	17 400	17 400	90,0
94,0	55,8	122,4	4 500			17 100	17 000	16 900	94,0
98,0	53,8	119,2				16 600	16 600	16 500	98,0
102,0	51,8	115,8				16 200	16 200	16 100	102,0
106,0	49,8	112,1				15 900	15 800	15 700	106,0
110,0	47,6	108,1				15 500	15 400	15 400	110,0
114,0	45,4	103,8				15 200	15 100	15 100	114,0
118,0	43,1	99,1				14 900	14 800	14 800	118,0
122,0	40,6	94,1				14 600	14 500	13 700	122,0
126,0	38,0	88,5				13 200	12 900	11 800	126,0
130,0	35,2	82,4				11 300	11 000	10 000	130,0
134,0	32,2	75,5				9 500	9 200	8 300	134,0
138,0	28,8	67,6				7 700	7 500	6 700	138,0
142,0									142,0
146,0									146,0

MLC650 VPC-MAX S-2



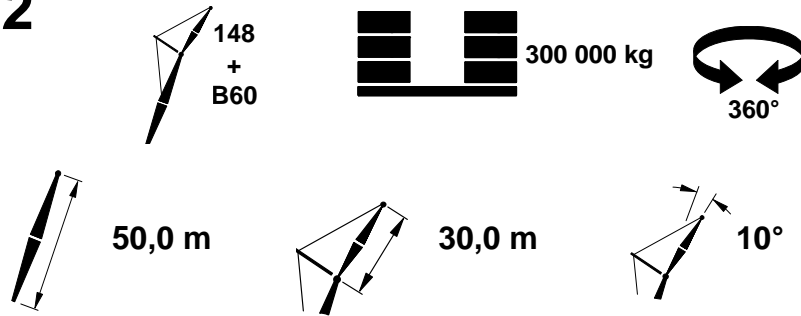
m	°	m	11,8 m			18,3 m			m
			0°	1°	2°	0°	1°	2°	
			kg	kg	kg	kg	kg	kg	
16,8	82,9	75,6	30 000b			30 000b			16,8
18,0	81,9	75,4	29 400b			29 400b			18,0
20,0	80,3	74,9	28 500b	24 100b	21 000b	28 500b	24 100b	21 000b	20,0
22,0	78,7	74,4	27 500	23 500	20 500b	27 500	23 500	20 500b	22,0
24,0	77,1	73,7	26 700	22 900	20 000	26 700	22 900	20 000	24,0
26,0	75,4	73,1	25 700	22 300	19 500	25 700	22 300	19 500	26,0
28,0	73,8	72,3	24 800	21 700	19 100	24 800	21 700	19 100	28,0
30,0	72,1	71,6	23 900	21 100	18 600	23 900	21 100	18 600	30,0
32,0	70,4	70,7	23 100	20 600	18 300	23 100	20 600	18 300	32,0
34,0	68,7	69,7	22 300	20 000	17 800	22 300	20 000	17 800	34,0
36,0	67,0	68,7	21 600	19 500	17 500	21 600	19 500	17 500	36,0
38,0	65,2	67,6	20 900	18 900	17 100	20 900	18 900	17 100	38,0
40,0	63,4	66,5	20 300	18 400	16 700	20 300	18 400	16 700	40,0
42,0	61,6	65,2	19 600	17 900	16 300	19 600	17 900	16 300	42,0
44,0	59,8	63,9	19 000	17 400	16 000	19 000	17 400	16 000	44,0
46,0	57,8	62,4	18 200	16 900	15 600	18 200	16 900	15 600	46,0
48,0	55,9	60,9	17 500	16 500	15 200	17 500	16 500	15 200	48,0
50,0	53,9	59,2	16 800	16 100	14 800	16 800	16 100	14 800	50,0
52,0	51,8	57,4	16 200	15 700	14 500	16 200	15 700	14 500	52,0
54,0	49,6	55,5	15 500	15 300	14 200	15 500	15 300	14 200	54,0
56,0	47,4	53,4	15 000	14 800	13 900	15 000	14 800	13 900	56,0
58,0	45,1	51,1	14 500	14 300	13 600	14 500	14 300	13 600	58,0
60,0	42,6	48,7	14 000	13 900	13 300	14 000	13 900	13 300	60,0
62,0	40,0	46,0	13 500	13 400	13 100	13 500	13 400	13 100	62,0
64,0	37,3	43,0	13 100	13 000	12 800	13 100	13 000	12 800	64,0
66,0	34,3	39,7	12 700	12 600	12 500	12 700	12 600	12 500	66,0
68,0	31,0	35,9	12 300	12 300	12 200	12 300	12 300	12 200	68,0
70,0	27,2	31,5	12 000	11 900	11 800	12 000	11 900	11 800	70,0

MLC650 VPC-MAX S-2



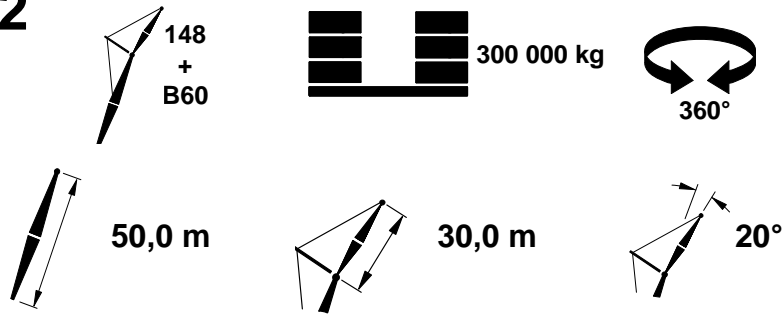
m	°	m	11,8 m			18,3 m			m
			0° kg	1° kg	2° kg	0° kg	1° kg	2° kg	
16,8									16,8
18,0									18,0
20,0									20,0
22,0	82,2	73,6	24 200b			24 200b			22,0
24,0	80,6	73,0	23 400	20 800		23 400	20 800		24,0
26,0	79,0	72,3	22 700	20 300	18 000	22 700	20 300	18 000	26,0
28,0	77,3	71,5	21 600	19 700	17 700	21 600	19 700	17 700	28,0
30,0	75,6	70,7	20 500	19 200	17 300	20 500	19 200	17 300	30,0
32,0	73,9	69,9	19 500	18 700	16 900	19 500	18 700	16 900	32,0
34,0	72,2	68,9	18 600	18 200	16 600	18 600	18 200	16 600	34,0
36,0	70,4	67,9	17 800	17 600	16 200	17 800	17 600	16 200	36,0
38,0	68,6	66,8	17 000	16 900	15 900	17 000	16 900	15 900	38,0
40,0	66,8	65,6	16 300	16 200	15 500	16 300	16 200	15 500	40,0
42,0	65,0	64,3	15 700	15 600	15 200	15 700	15 600	15 200	42,0
44,0	63,1	62,9	15 100	15 000	14 800	15 100	15 000	14 800	44,0
46,0	61,1	61,5	14 500	14 500	14 300	14 500	14 500	14 300	46,0
48,0	59,1	59,9	14 000	13 900	13 800	14 000	13 900	13 800	48,0
50,0	57,1	58,2	13 600	13 500	13 400	13 600	13 500	13 400	50,0
52,0	55,0	56,4	13 100	13 000	12 900	13 100	13 000	12 900	52,0
54,0	52,8	54,4	12 700	12 600	12 500	12 700	12 600	12 500	54,0
56,0	50,5	52,3	12 300	12 200	12 200	12 300	12 200	12 200	56,0
58,0	48,1	49,9	11 900	11 900	11 800	11 900	11 900	11 800	58,0
60,0	45,6	47,4	11 600	11 500	11 500	11 600	11 500	11 500	60,0
62,0	42,9	44,6	11 300	11 200	11 200	11 300	11 200	11 200	62,0
64,0	40,1	41,6	11 000	11 000	10 900	11 000	11 000	10 900	64,0
66,0	37,0	38,1	10 800	10 700	10 600	10 800	10 700	10 600	66,0
68,0	33,5	34,2	10 500	10 500	10 400	10 500	10 500	10 400	68,0
70,0	29,5	29,4	10 300	10 300	10 200	10 300	10 300	10 200	70,0

MLC650 VPC-MAX S-2



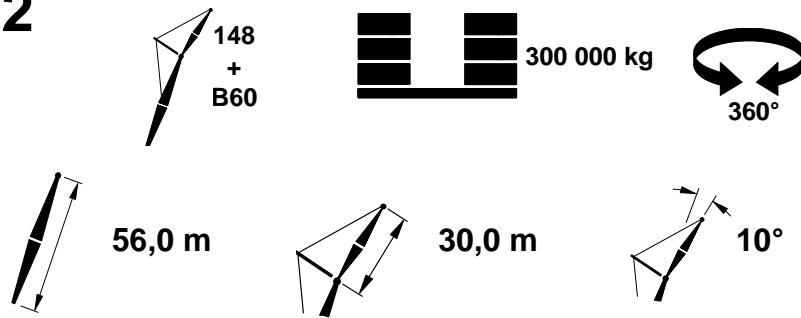
m	°	m	11,8 m			18,3 m			m
			0°	1°	2°	0°	1°	2°	
			kg	kg	kg	kg	kg	kg	
18,3	82,3	81,4	29 600			29 600			18,3
20,0	81,0	81,0	28 800	24 400		28 800	24 400		20,0
22,0	79,5	80,5	28 000	23 700	20 700	28 000	23 700	20 700	22,0
24,0	78,1	80,0	27 100	23 200	20 200	27 100	23 200	20 200	24,0
26,0	76,6	79,4	26 300	22 600	19 800	26 300	22 600	19 800	26,0
28,0	75,1	78,7	25 500	22 100	19 400	25 500	22 100	19 400	28,0
30,0	73,5	78,0	24 600	21 600	18 900	24 600	21 600	18 900	30,0
32,0	72,0	77,2	23 800	21 000	18 600	23 800	21 000	18 600	32,0
34,0	70,4	76,3	23 100	20 500	18 200	23 100	20 500	18 200	34,0
36,0	68,9	75,4	22 400	20 100	17 800	22 400	20 100	17 800	36,0
38,0	67,3	74,4	21 700	19 500	17 500	21 700	19 500	17 500	38,0
40,0	65,6	73,3	21 000	19 000	17 100	21 000	19 000	17 100	40,0
42,0	64,0	72,2	20 400	18 500	16 800	20 400	18 500	16 800	42,0
44,0	62,3	71,0	19 800	18 000	16 400	19 800	18 000	16 400	44,0
46,0	60,6	69,7	19 300	17 600	16 100	19 300	17 600	16 100	46,0
48,0	58,9	68,3	18 700	17 100	15 800	18 700	17 100	15 800	48,0
50,0	57,1	66,9	18 000	16 700	15 400	18 000	16 700	15 400	50,0
52,0	55,3	65,3	17 300	16 400	15 100	17 300	16 400	15 100	52,0
54,0	53,4	63,6	16 700	16 000	14 800	16 700	16 000	14 800	54,0
56,0	51,5	61,8	16 100	15 600	14 400	16 100	15 600	14 400	56,0
58,0	49,5	59,9	15 500	15 300	14 100	15 500	15 300	14 100	58,0
60,0	47,5	57,8	15 000	14 900	13 900	15 000	14 900	13 900	60,0
62,0	45,3	55,6	14 500	14 400	13 600	14 500	14 400	13 600	62,0
64,0	43,1	53,2	14 100	14 000	13 400	14 100	14 000	13 400	64,0
66,0	40,7	50,6	13 600	13 500	13 100	13 600	13 500	13 100	66,0
68,0	38,3	47,8	13 200	13 100	12 900	13 200	13 100	12 900	68,0
70,0	35,6	44,6	12 900	12 800	12 700	12 900	12 800	12 700	70,0
74,0	29,5	37,2	12 200	12 100	12 000	12 200	12 100	12 000	74,0
78,0	21,6	26,9	11 600	11 500	11 500	11 600	11 500	11 500	78,0

MLC650 VPC-MAX S-2



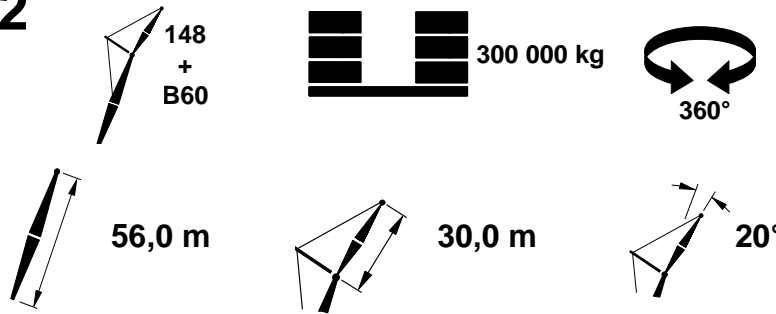
m	°	m	11,8 m			18,3 m			m
			0°	1°	2°	0°	1°	2°	
			kg	kg	kg	kg	kg	kg	
18,3									18,3
20,0									20,0
22,0									22,0
24,0	81,3	79,1	23 700			23 700			24,0
26,0	79,8	78,5	23 000	20 500	18 200	23 000	20 500	18 200	26,0
28,0	78,3	77,8	22 200	20 000	17 800	22 200	20 000	17 800	28,0
30,0	76,8	77,1	21 200	19 500	17 500	21 200	19 500	17 500	30,0
32,0	75,2	76,3	20 200	19 000	17 200	20 200	19 000	17 200	32,0
34,0	73,6	75,4	19 300	18 600	16 800	19 300	18 600	16 800	34,0
36,0	72,0	74,5	18 500	18 100	16 500	18 500	18 100	16 500	36,0
38,0	70,4	73,5	17 800	17 600	16 200	17 800	17 600	16 200	38,0
40,0	68,8	72,4	17 100	16 900	15 900	17 100	16 900	15 900	40,0
42,0	67,1	71,3	16 400	16 300	15 600	16 400	16 300	15 600	42,0
44,0	65,4	70,1	15 800	15 700	15 200	15 800	15 700	15 200	44,0
46,0	63,7	68,7	15 300	15 200	14 900	15 300	15 200	14 900	46,0
48,0	61,9	67,3	14 800	14 700	14 600	14 800	14 700	14 600	48,0
50,0	60,1	65,8	14 300	14 200	14 100	14 300	14 200	14 100	50,0
52,0	58,3	64,2	13 800	13 700	13 600	13 800	13 700	13 600	52,0
54,0	56,4	62,5	13 400	13 300	13 200	13 400	13 300	13 200	54,0
56,0	54,4	60,7	13 000	12 900	12 800	13 000	12 900	12 800	56,0
58,0	52,4	58,8	12 600	12 600	12 500	12 600	12 600	12 500	58,0
60,0	50,3	56,6	12 300	12 200	12 100	12 300	12 200	12 100	60,0
62,0	48,1	54,4	11 900	11 900	11 800	11 900	11 900	11 800	62,0
64,0	45,8	51,9	11 700	11 600	11 500	11 700	11 600	11 500	64,0
66,0	43,4	49,2	11 400	11 300	11 200	11 400	11 300	11 200	66,0
68,0	40,8	46,3	11 100	11 000	11 000	11 100	11 000	11 000	68,0
70,0	38,1	43,1	10 800	10 800	10 700	10 800	10 800	10 700	70,0
74,0	31,7	35,2	10 400	10 400	10 300	10 400	10 400	10 300	74,0
78,0									78,0

MLC650 VPC-MAX S-2



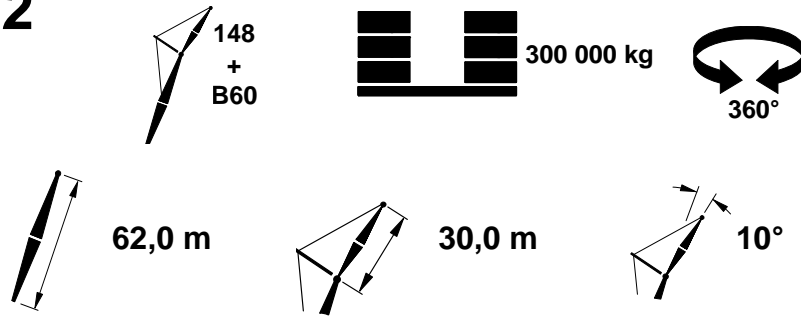
m	°	m	11,8 m			18,3 m			m
			0°	1°	2°	0°	1°	2°	
			kg	kg	kg	kg	kg	kg	
18,3	82,8	87,5	29 800			29 800			18,3
20,0	81,7	87,2	29 100	24 600		29 100	24 600		20,0
22,0	80,3	86,7	28 400	24 000	20 800	28 400	24 000	20 800	22,0
24,0	78,9	86,2	27 600	23 400	20 400	27 600	23 400	20 400	24,0
26,0	77,5	85,6	26 800	22 900	20 000	26 800	22 900	20 000	26,0
28,0	76,1	85,0	26 000	22 400	19 600	26 000	22 400	19 600	28,0
30,0	74,7	84,3	25 200	21 900	19 200	25 200	21 900	19 200	30,0
32,0	73,3	83,6	24 500	21 400	18 900	24 500	21 400	18 900	32,0
34,0	71,9	82,8	23 700	21 000	18 500	23 700	21 000	18 500	34,0
36,0	70,4	82,0	23 000	20 500	18 200	23 000	20 500	18 200	36,0
38,0	69,0	81,1	22 400	20 100	17 800	22 400	20 100	17 800	38,0
40,0	67,5	80,1	21 800	19 600	17 500	21 800	19 600	17 500	40,0
42,0	66,0	79,1	21 200	19 100	17 200	21 200	19 100	17 200	42,0
44,0	64,5	78,0	20 600	18 600	16 900	20 600	18 600	16 900	44,0
46,0	62,9	76,8	20 100	18 200	16 500	20 100	18 200	16 500	46,0
48,0	61,4	75,6	19 500	17 800	16 200	19 500	17 800	16 200	48,0
50,0	59,8	74,2	19 000	17 400	15 900	19 000	17 400	15 900	50,0
52,0	58,2	72,8	18 400	17 000	15 600	18 400	17 000	15 600	52,0
54,0	56,5	71,3	17 700	16 600	15 300	17 700	16 600	15 300	54,0
56,0	54,8	69,7	17 100	16 200	15 000	17 100	16 200	15 000	56,0
58,0	53,0	68,1	16 500	15 900	14 700	16 500	15 900	14 700	58,0
60,0	51,3	66,3	16 000	15 600	14 400	16 000	15 600	14 400	60,0
62,0	49,4	64,4	15 500	15 200	14 100	15 500	15 200	14 100	62,0
64,0	47,5	62,3	15 000	14 900	13 900	15 000	14 900	13 900	64,0
66,0	45,5	60,1	14 600	14 400	13 600	14 600	14 400	13 600	66,0
68,0	43,5	57,8	14 100	14 000	13 400	14 100	14 000	13 400	68,0
70,0	41,3	55,3	13 800	13 600	13 200	13 800	13 600	13 200	70,0
74,0	36,7	49,5	13 000	12 900	12 800	13 000	12 900	12 800	74,0
78,0	31,4	42,6	12 400	12 300	12 200	12 400	12 300	12 200	78,0
82,0	24,8	33,6	11 800	11 700	11 600	11 800	11 700	11 600	82,0

MLC650 VPC-MAX S-2



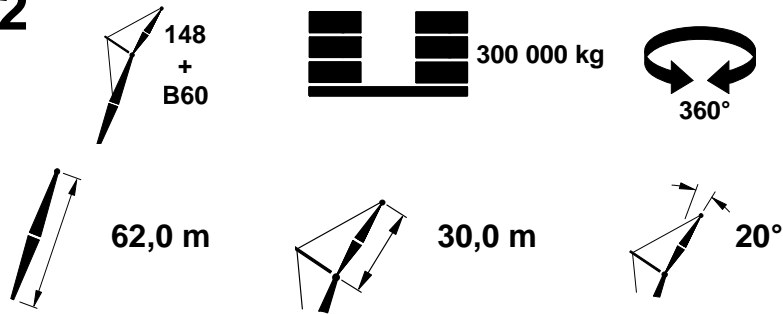
m	°	m	11,8 m			18,3 m			m
			0°	1°	2°	0°	1°	2°	
			kg	kg	kg	kg	kg	kg	
18,3									18,3
20,0									20,0
22,0									22,0
24,0	82,0	85,3	24 000			24 000			24,0
26,0	80,6	84,8	23 300	20 700	18 300	23 300	20 700	18 300	26,0
28,0	79,2	84,1	22 700	20 300	18 000	22 700	20 300	18 000	28,0
30,0	77,8	83,4	21 800	19 800	17 700	21 800	19 800	17 700	30,0
32,0	76,3	82,7	20 900	19 400	17 400	20 900	19 400	17 400	32,0
34,0	74,9	81,9	20 000	18 900	17 100	20 000	18 900	17 100	34,0
36,0	73,4	81,1	19 200	18 500	16 800	19 200	18 500	16 800	36,0
38,0	71,9	80,1	18 500	18 100	16 500	18 500	18 100	16 500	38,0
40,0	70,4	79,2	17 800	17 600	16 200	17 800	17 600	16 200	40,0
42,0	68,9	78,1	17 100	17 000	15 900	17 100	17 000	15 900	42,0
44,0	67,4	77,0	16 500	16 400	15 600	16 500	16 400	15 600	44,0
46,0	65,8	75,8	16 000	15 800	15 300	16 000	15 800	15 300	46,0
48,0	64,2	74,6	15 400	15 300	15 000	15 400	15 300	15 000	48,0
50,0	62,6	73,2	15 000	14 800	14 700	15 000	14 800	14 700	50,0
52,0	61,0	71,8	14 500	14 400	14 300	14 500	14 400	14 300	52,0
54,0	59,3	70,3	14 100	14 000	13 900	14 100	14 000	13 900	54,0
56,0	57,5	68,7	13 700	13 600	13 500	13 700	13 600	13 500	56,0
58,0	55,8	66,9	13 300	13 200	13 100	13 300	13 200	13 100	58,0
60,0	53,9	65,1	12 900	12 800	12 800	12 900	12 800	12 800	60,0
62,0	52,1	63,2	12 600	12 500	12 400	12 600	12 500	12 400	62,0
64,0	50,1	61,1	12 200	12 200	12 100	12 200	12 200	12 100	64,0
66,0	48,1	58,9	11 900	11 900	11 800	11 900	11 900	11 800	66,0
68,0	46,0	56,5	11 700	11 600	11 500	11 700	11 600	11 500	68,0
70,0	43,8	53,9	11 400	11 300	11 300	11 400	11 300	11 300	70,0
74,0	39,0	48,0	10 900	10 900	10 800	10 900	10 900	10 800	74,0
78,0	33,5	40,7	10 500	10 500	10 400	10 500	10 500	10 400	78,0
82,0	26,5	31,2	10 200	10 200	10 100	10 200	10 200	10 100	82,0

MLC650 VPC-MAX S-2



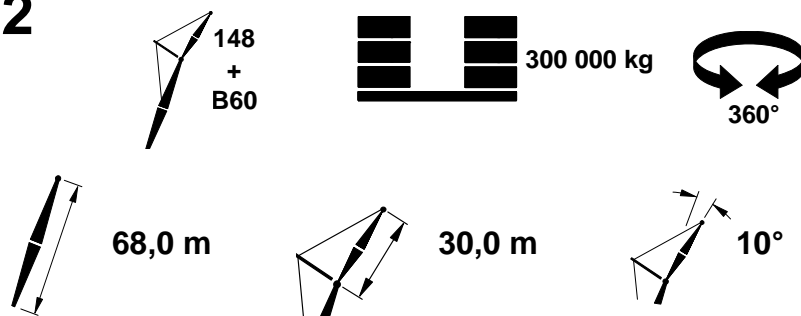
m	°	m	11,8 m			18,3 m			m
			0°	1°	2°	0°	1°	2°	
			kg	kg	kg	kg	kg	kg	
19,8	82,3	93,3	29 400			29 400			19,8
20,0	82,2	93,3	29 400			29 400			20,0
22,0	80,9	92,9	28 600	24 200		28 600	24 200		22,0
24,0	79,7	92,4	27 900	23 600	20 600	27 900	23 600	20 600	24,0
26,0	78,4	91,9	27 200	23 100	20 200	27 200	23 100	20 200	26,0
28,0	77,1	91,3	26 500	22 700	19 800	26 500	22 700	19 800	28,0
30,0	75,8	90,7	25 800	22 200	19 400	25 800	22 200	19 400	30,0
32,0	74,5	90,0	25 000	21 700	19 100	25 000	21 700	19 100	32,0
34,0	73,1	89,3	24 300	21 300	18 700	24 300	21 300	18 700	34,0
36,0	71,8	88,5	23 700	20 900	18 400	23 700	20 900	18 400	36,0
38,0	70,5	87,6	23 000	20 500	18 100	23 000	20 500	18 100	38,0
40,0	69,1	86,7	22 400	20 000	17 800	22 400	20 000	17 800	40,0
42,0	67,7	85,8	21 800	19 600	17 500	21 800	19 600	17 500	42,0
44,0	66,3	84,8	21 300	19 100	17 200	21 300	19 100	17 200	44,0
46,0	64,9	83,7	20 700	18 700	16 900	20 700	18 700	16 900	46,0
48,0	63,5	82,6	20 200	18 300	16 600	20 200	18 300	16 600	48,0
50,0	62,0	81,4	19 700	17 900	16 300	19 700	17 900	16 300	50,0
52,0	60,5	80,1	19 200	17 500	16 000	19 200	17 500	16 000	52,0
54,0	59,0	78,8	18 700	17 100	15 700	18 700	17 100	15 700	54,0
56,0	57,5	77,3	18 100	16 800	15 500	18 100	16 800	15 500	56,0
58,0	56,0	75,8	17 500	16 500	15 200	17 500	16 500	15 200	58,0
60,0	54,4	74,2	17 000	16 100	14 900	17 000	16 100	14 900	60,0
62,0	52,7	72,5	16 400	15 800	14 600	16 400	15 800	14 600	62,0
64,0	51,1	70,7	15 900	15 500	14 300	15 900	15 500	14 300	64,0
66,0	49,3	68,8	15 500	15 200	14 100	15 500	15 200	14 100	66,0
68,0	47,6	66,8	15 000	14 900	13 900	15 000	14 900	13 900	68,0
70,0	45,7	64,6	14 600	14 500	13 600	14 600	14 500	13 600	70,0
74,0	41,9	59,9	13 900	13 700	13 200	13 900	13 700	13 200	74,0
78,0	37,6	54,4	13 200	13 100	12 800	13 200	13 100	12 800	78,0
82,0	32,8	47,8	12 500	12 400	12 400	12 500	12 400	12 400	82,0
86,0	27,2	39,7	12 000	11 900	11 800	12 000	11 900	11 800	86,0

MLC650 VPC-MAX S-2



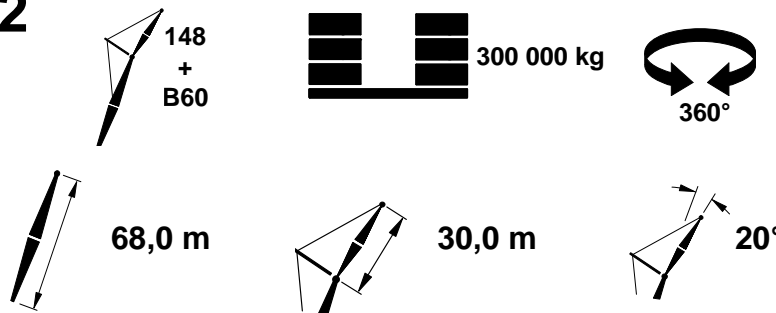
m	°	m	11,8 m			18,3 m			m
			0°	1°	2°	0°	1°	2°	
			kg	kg	kg	kg	kg	kg	
19,8									19,8
20,0									20,0
22,0									22,0
24,0									24,0
26,0	81,2	91,0	23 600	20 800		23 600	20 800		26,0
28,0	79,9	90,4	23 000	20 400	18 100	23 000	20 400	18 100	28,0
30,0	78,6	89,7	22 300	20 000	17 800	22 300	20 000	17 800	30,0
32,0	77,3	89,1	21 500	19 600	17 500	21 500	19 600	17 500	32,0
34,0	75,9	88,3	20 600	19 200	17 200	20 600	19 200	17 200	34,0
36,0	74,6	87,5	19 800	18 800	17 000	19 800	18 800	17 000	36,0
38,0	73,2	86,7	19 100	18 400	16 700	19 100	18 400	16 700	38,0
40,0	71,8	85,8	18 400	18 000	16 400	18 400	18 000	16 400	40,0
42,0	70,4	84,8	17 800	17 600	16 200	17 800	17 600	16 200	42,0
44,0	69,0	83,8	17 200	17 000	15 900	17 200	17 000	15 900	44,0
46,0	67,6	82,7	16 600	16 500	15 600	16 600	16 500	15 600	46,0
48,0	66,2	81,6	16 100	16 000	15 300	16 100	16 000	15 300	48,0
50,0	64,7	80,4	15 600	15 500	15 100	15 600	15 500	15 100	50,0
52,0	63,2	79,1	15 100	15 000	14 800	15 100	15 000	14 800	52,0
54,0	61,7	77,7	14 700	14 600	14 500	14 700	14 600	14 500	54,0
56,0	60,1	76,2	14 300	14 200	14 100	14 300	14 200	14 100	56,0
58,0	58,5	74,7	13 900	13 800	13 700	13 900	13 800	13 700	58,0
60,0	56,9	73,1	13 500	13 400	13 300	13 500	13 400	13 300	60,0
62,0	55,2	71,4	13 200	13 100	13 000	13 200	13 100	13 000	62,0
64,0	53,5	69,5	12 800	12 800	12 700	12 800	12 800	12 700	64,0
66,0	51,8	67,6	12 500	12 400	12 400	12 500	12 400	12 400	66,0
68,0	50,0	65,5	12 200	12 200	12 100	12 200	12 200	12 100	68,0
70,0	48,1	63,3	11 900	11 900	11 800	11 900	11 900	11 800	70,0
74,0	44,2	58,5	11 400	11 400	11 300	11 400	11 400	11 300	74,0
78,0	39,8	52,8	11 000	11 000	10 900	11 000	10 900	10 900	78,0
82,0	34,8	46,0	10 600	10 600	10 500	10 600	10 600	10 500	82,0
86,0	28,9	37,5	10 300	10 200	10 200	10 300	10 200	10 200	86,0

MLC650 VPC-MAX S-2



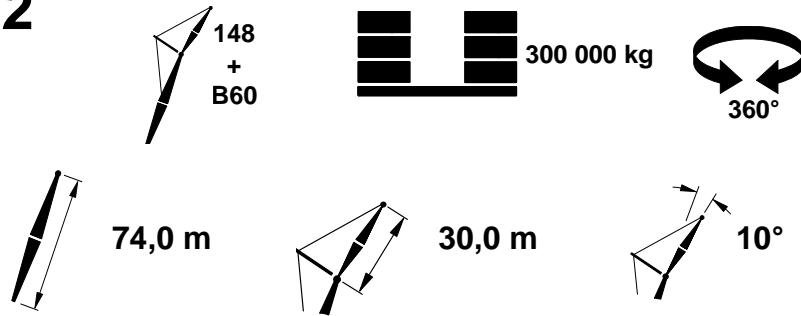
m	°	m	11,8 m			18,3 m			m
			0°	1°	2°	0°	1°	2°	
			kg	kg	kg	kg	kg	kg	
19,8	82,8	99,5	29 600			29 600			19,8
20,0	82,7	99,4	29 500			29 500			20,0
22,0	81,5	99,0	28 800	24 200		28 800	24 200		22,0
24,0	80,3	98,6	28 100	23 700		28 100	23 700		24,0
26,0	79,1	98,1	27 500	23 300	20 200	27 500	23 300	20 200	26,0
28,0	77,9	97,5	26 800	22 800	19 900	26 800	22 800	19 900	28,0
30,0	76,7	96,9	26 200	22 400	19 600	26 200	22 400	19 600	30,0
32,0	75,5	96,3	25 500	22 000	19 200	25 500	22 000	19 200	32,0
34,0	74,2	95,6	24 800	21 600	18 900	24 800	21 600	18 900	34,0
36,0	73,0	94,9	24 200	21 200	18 600	24 200	21 200	18 600	36,0
38,0	71,7	94,1	23 600	20 800	18 300	23 600	20 800	18 300	38,0
40,0	70,5	93,3	23 000	20 400	18 000	23 000	20 400	18 000	40,0
42,0	69,2	92,4	22 400	20 000	17 700	22 400	20 000	17 700	42,0
44,0	67,9	91,5	21 800	19 600	17 400	21 800	19 600	17 400	44,0
46,0	66,6	90,5	21 300	19 200	17 200	21 300	19 200	17 200	46,0
48,0	65,3	89,5	20 800	18 800	16 900	20 800	18 800	16 900	48,0
50,0	63,9	88,3	20 400	18 400	16 600	20 400	18 400	16 600	50,0
52,0	62,6	87,2	19 900	18 000	16 400	19 900	18 000	16 400	52,0
54,0	61,2	85,9	19 400	17 700	16 100	19 400	17 700	16 100	54,0
56,0	59,8	84,6	19 000	17 300	15 900	19 000	17 300	15 900	56,0
58,0	58,4	83,3	18 400	17 000	15 600	18 400	17 000	15 600	58,0
60,0	57,0	81,8	17 900	16 600	15 300	17 900	16 600	15 300	60,0
62,0	55,5	80,3	17 300	16 300	15 000	17 300	16 300	15 000	62,0
64,0	54,0	78,7	16 800	16 000	14 800	16 800	16 000	14 800	64,0
66,0	52,4	77,0	16 300	15 700	14 500	16 300	15 700	14 500	66,0
68,0	50,9	75,2	15 900	15 400	14 300	15 900	15 400	14 300	68,0
70,0	49,3	73,3	15 400	15 200	14 100	15 400	15 200	14 100	70,0
74,0	45,9	69,2	14 600	14 500	13 600	14 600	14 500	13 600	74,0
78,0	42,3	64,5	13 900	13 800	13 200	13 900	13 800	13 200	78,0
82,0	38,4	59,1	13 300	13 200	12 900	13 300	13 200	12 900	82,0
86,0	34,1	52,9	12 700	12 600	12 500	12 700	12 600	12 500	86,0
90,0	29,1	45,4	12 100	12 100	12 000	12 100	12 100	12 000	90,0
94,0	23,0	35,7	11 700	11 600	11 500	11 700	11 600	11 500	94,0

MLC650 VPC-MAX S-2



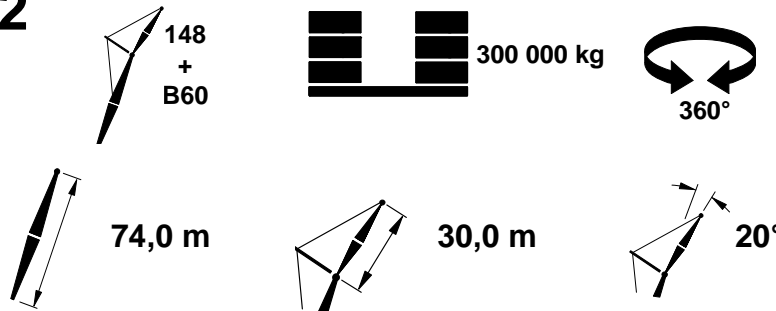
m	°	m	11,8 m			18,3 m			m
			0° kg	1° kg	2° kg	0° kg	1° kg	2° kg	
19,8									19,8
20,0									20,0
22,0									22,0
24,0									24,0
26,0	81,8	97,1	23 800	20 900		23 800	20 900		26,0
28,0	80,6	96,6	23 200	20 600	18 100	23 200	20 600	18 100	28,0
30,0	79,3	96,0	22 700	20 200	17 900	22 700	20 200	17 900	30,0
32,0	78,1	95,4	22 000	19 800	17 600	22 000	19 800	17 600	32,0
34,0	76,8	94,7	21 200	19 400	17 300	21 200	19 400	17 300	34,0
36,0	75,6	93,9	20 400	19 100	17 100	20 400	19 100	17 100	36,0
38,0	74,3	93,2	19 700	18 700	16 800	19 700	18 700	16 800	38,0
40,0	73,0	92,3	19 000	18 300	16 600	19 000	18 300	16 600	40,0
42,0	71,8	91,4	18 400	17 900	16 400	18 400	17 900	16 400	42,0
44,0	70,4	90,5	17 800	17 600	16 100	17 800	17 600	16 100	44,0
46,0	69,1	89,5	17 200	17 100	15 900	17 200	17 100	15 900	46,0
48,0	67,8	88,4	16 700	16 500	15 600	16 700	16 500	15 600	48,0
50,0	66,4	87,3	16 200	16 100	15 300	16 200	16 100	15 300	50,0
52,0	65,1	86,1	15 700	15 600	15 100	15 700	15 600	15 100	52,0
54,0	63,7	84,9	15 300	15 200	14 900	15 300	15 200	14 900	54,0
56,0	62,3	83,6	14 800	14 700	14 600	14 800	14 700	14 600	56,0
58,0	60,8	82,2	14 500	14 400	14 300	14 500	14 400	14 300	58,0
60,0	59,4	80,7	14 100	14 000	13 900	14 100	14 000	13 900	60,0
62,0	57,9	79,2	13 700	13 600	13 500	13 700	13 600	13 500	62,0
64,0	56,4	77,5	13 400	13 300	13 200	13 400	13 300	13 200	64,0
66,0	54,8	75,8	13 100	13 000	12 900	13 100	13 000	12 900	66,0
68,0	53,2	74,0	12 800	12 700	12 600	12 800	12 700	12 600	68,0
70,0	51,6	72,0	12 500	12 400	12 300	12 500	12 400	12 300	70,0
74,0	48,1	67,8	11 900	11 900	11 800	11 900	11 900	11 800	74,0
78,0	44,5	63,0	11 500	11 400	11 400	11 500	11 400	11 400	78,0
82,0	40,4	57,5	11 100	11 000	10 900	11 100	11 000	10 900	82,0
86,0	36,0	51,1	10 700	10 600	10 600	10 700	10 600	10 600	86,0
90,0	30,8	43,3	10 400	10 300	10 300	10 400	10 300	10 300	90,0
94,0									94,0

MLC650 VPC-MAX S-2



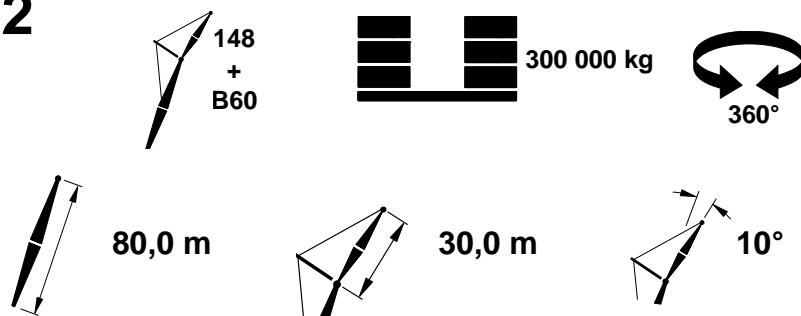
m	°	m	11,8 m			18,3 m			m
			0°	1°	2°	0°	1°	2°	
			kg	kg	kg	kg	kg	kg	
21,3	82,4	105,3	29 200			29 200			21,3
22,0	82,0	105,1	29 000			29 000			22,0
24,0	80,9	104,7	28 300	23 900		28 300	23 900		24,0
26,0	79,8	104,2	27 700	23 400	20 300	27 700	23 400	20 300	26,0
28,0	78,6	103,7	27 100	23 000	20 000	27 100	23 000	20 000	28,0
30,0	77,5	103,2	26 500	22 600	19 700	26 500	22 600	19 700	30,0
32,0	76,3	102,6	25 900	22 200	19 400	25 900	22 200	19 400	32,0
34,0	75,2	102,0	25 300	21 800	19 100	25 300	21 800	19 100	34,0
36,0	74,0	101,3	24 700	21 400	18 800	24 700	21 400	18 800	36,0
38,0	72,8	100,6	24 100	21 100	18 500	24 100	21 100	18 500	38,0
40,0	71,7	99,8	23 500	20 700	18 200	23 500	20 700	18 200	40,0
42,0	70,5	99,0	22 900	20 300	17 900	22 900	20 300	17 900	42,0
44,0	69,3	98,1	22 400	19 900	17 700	22 400	19 900	17 700	44,0
46,0	68,1	97,2	21 900	19 600	17 400	21 900	19 600	17 400	46,0
48,0	66,8	96,2	21 400	19 200	17 200	21 400	19 200	17 200	48,0
50,0	65,6	95,2	20 900	18 800	16 900	20 900	18 800	16 900	50,0
52,0	64,3	94,1	20 500	18 500	16 700	20 500	18 500	16 700	52,0
54,0	63,1	93,0	20 000	18 100	16 400	20 000	18 100	16 400	54,0
56,0	61,8	91,8	19 600	17 800	16 200	19 600	17 800	16 200	56,0
58,0	60,5	90,5	19 200	17 400	15 900	19 200	17 400	15 900	58,0
60,0	59,2	89,2	18 800	17 100	15 700	18 800	17 100	15 700	60,0
62,0	57,8	87,8	18 200	16 800	15 400	18 200	16 800	15 400	62,0
64,0	56,5	86,3	17 700	16 500	15 200	17 700	16 500	15 200	64,0
66,0	55,1	84,8	17 200	16 200	14 900	17 200	16 200	14 900	66,0
68,0	53,6	83,2	16 700	15 900	14 700	16 700	15 900	14 700	68,0
70,0	52,2	81,4	16 300	15 700	14 500	16 300	15 700	14 500	70,0
74,0	49,2	77,8	15 400	15 200	14 000	15 400	15 200	14 000	74,0
78,0	46,0	73,7	14 700	14 500	13 600	14 700	14 500	13 600	78,0
82,0	42,7	69,1	14 000	13 900	13 200	14 000	13 900	13 200	82,0
86,0	39,1	63,9	13 400	13 300	12 900	13 400	13 300	12 900	86,0
90,0	35,1	57,9	12 800	12 700	12 600	12 800	12 700	12 600	90,0
94,0	30,6	50,8	12 300	12 100	11 600	12 300	12 200	12 100	94,0
98,0	25,3	42,1	10 300	9 800	9 400	11 900	11 800	11 700	98,0
102,0	18,4	30,1	7 800	7 500	7 100	11 500	11 400	11 300	102,0

MLC650 VPC-MAX S-2



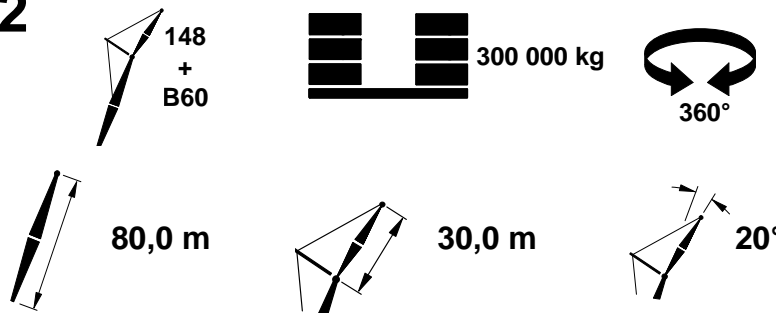
m	°	m	11,8 m			18,3 m			m
			0° kg	1° kg	2° kg	0° kg	1° kg	2° kg	
21,3									21,3
22,0									22,0
24,0									24,0
26,0	82,3	103,3	24 000			24 000			26,0
28,0	81,1	102,8	23 500	20 600		23 500	20 600		28,0
30,0	80,0	102,2	22 900	20 300	17 900	22 900	20 300	17 900	30,0
32,0	78,8	101,6	22 400	20 000	17 700	22 400	20 000	17 700	32,0
34,0	77,6	101,0	21 700	19 600	17 400	21 700	19 600	17 400	34,0
36,0	76,5	100,3	20 900	19 300	17 200	20 900	19 300	17 200	36,0
38,0	75,3	99,6	20 200	18 900	17 000	20 200	18 900	17 000	38,0
40,0	74,1	98,8	19 600	18 600	16 700	19 600	18 600	16 700	40,0
42,0	72,9	98,0	18 900	18 200	16 500	18 900	18 200	16 500	42,0
44,0	71,7	97,1	18 300	17 900	16 300	18 300	17 900	16 300	44,0
46,0	70,5	96,2	17 800	17 600	16 100	17 800	17 600	16 100	46,0
48,0	69,2	95,2	17 200	17 100	15 800	17 200	17 100	15 800	48,0
50,0	68,0	94,1	16 800	16 600	15 600	16 800	16 600	15 600	50,0
52,0	66,7	93,0	16 300	16 100	15 400	16 300	16 100	15 400	52,0
54,0	65,4	91,9	15 800	15 700	15 100	15 800	15 700	15 100	54,0
56,0	64,1	90,7	15 400	15 300	14 900	15 400	15 300	14 900	56,0
58,0	62,8	89,4	15 000	14 900	14 700	15 000	14 900	14 700	58,0
60,0	61,5	88,1	14 600	14 500	14 400	14 600	14 500	14 400	60,0
62,0	60,1	86,6	14 300	14 200	14 100	14 300	14 200	14 100	62,0
64,0	58,7	85,2	13 900	13 800	13 700	13 900	13 800	13 700	64,0
66,0	57,3	83,6	13 600	13 500	13 400	13 600	13 500	13 400	66,0
68,0	55,9	82,0	13 300	13 200	13 100	13 300	13 200	13 100	68,0
70,0	54,4	80,2	13 000	12 900	12 800	13 000	12 900	12 800	70,0
74,0	51,4	76,5	12 500	12 400	12 300	12 500	12 400	12 300	74,0
78,0	48,1	72,3	12 000	11 900	11 800	12 000	11 900	11 800	78,0
82,0	44,7	67,6	11 500	11 500	11 400	11 500	11 500	11 400	82,0
86,0	41,0	62,3	11 100	11 000	11 000	11 100	11 000	11 000	86,0
90,0	36,9	56,1	10 800	10 700	10 600	10 800	10 700	10 600	90,0
94,0	32,3	48,8	10 500	10 400	10 400	10 500	10 400	10 400	94,0
98,0									98,0
102,0									102,0

MLC650 VPC-MAX S-2



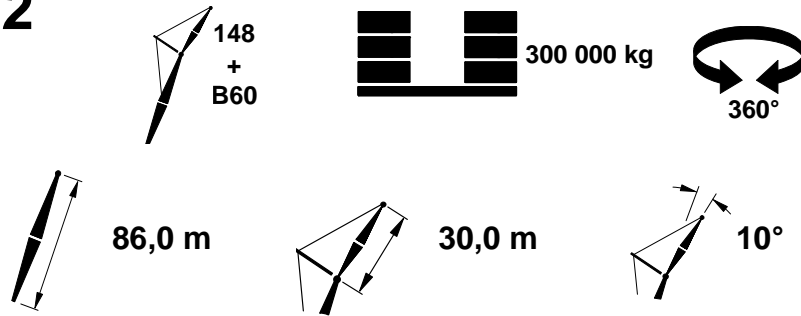
m	°	m	11,8 m			18,3 m			m
			0°	1°	2°	0°	1°	2°	
			kg	kg	kg	kg	kg	kg	
21,3	82,8	111,4	29 300			29 300			21,3
22,0	82,5	111,2	29 100			29 100			22,0
24,0	81,4	110,8	28 500			28 500			24,0
26,0	80,3	110,4	27 900			27 900			26,0
28,0	79,3	109,9	27 400			27 400			28,0
30,0	78,2	109,4	26 800			26 800			30,0
32,0	77,1	108,8	26 200			26 200			32,0
34,0	76,0	108,3	25 700			25 700			34,0
36,0	74,9	107,6	25 100			25 100			36,0
38,0	73,8	106,9	24 500			24 500			38,0
40,0	72,7	106,2	23 900			23 900			40,0
42,0	71,6	105,4	23 400			23 400			42,0
44,0	70,5	104,6	22 900			22 900			44,0
46,0	69,3	103,8	22 400			22 400			46,0
48,0	68,2	102,9	21 900			21 900			48,0
50,0	67,0	101,9	21 400			21 400			50,0
52,0	65,9	100,9	21 000			21 000			52,0
54,0	64,7	99,8	20 600			20 600			54,0
56,0	63,5	98,7	20 200			20 200			56,0
58,0	62,3	97,6	19 700			19 700			58,0
60,0	61,1	96,3	19 300			19 300			60,0
62,0	59,8	95,0	19 000			19 000			62,0
64,0	58,6	93,7	18 500			18 500			64,0
66,0	57,3	92,3	18 000			18 000			66,0
68,0	56,0	90,8	17 500			17 500			68,0
70,0	54,7	89,3	17 100			17 100			70,0
74,0	52,0	85,9	16 200			16 200			74,0
78,0	49,1	82,2	15 400			15 400			78,0
82,0	46,2	78,2	14 700			14 700			82,0
86,0	43,0	73,6	14 100			14 100			86,0
90,0	39,7	68,5	13 500			13 500			90,0
94,0	36,0	62,8	11 600			12 900			94,0
98,0	31,9	56,0	9 200			12 400			98,0
102,0	27,2	48,0	6 800			12 000			102,0
106,0	21,5	37,7	4 600			11 600			106,0

MLC650 VPC-MAX S-2



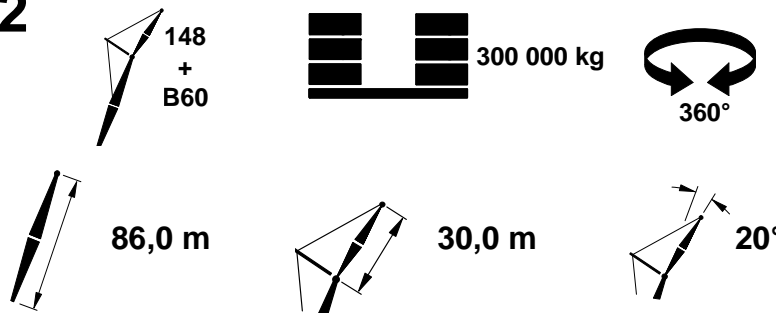
m	°	m	11,8 m			18,3 m			m
			0° kg	1° kg	2° kg	0° kg	1° kg	2° kg	
21,3									21,3
22,0									22,0
24,0									24,0
26,0	82,7	109,4	24 100			24 100			26,0
28,0	81,6	109,0	23 600	20 700		23 600	20 700		28,0
30,0	80,5	108,4	23 100	20 400		23 100	20 400		30,0
32,0	79,4	107,9	22 700	20 100	17 700	22 700	20 100	17 700	32,0
34,0	78,4	107,3	22 100	19 800	17 500	22 100	19 800	17 500	34,0
36,0	77,2	106,6	21 400	19 500	17 300	21 400	19 500	17 300	36,0
38,0	76,1	105,9	20 700	19 100	17 100	20 700	19 100	17 100	38,0
40,0	75,0	105,2	20 100	18 800	16 800	20 100	18 800	16 800	40,0
42,0	73,9	104,4	19 400	18 500	16 600	19 400	18 500	16 600	42,0
44,0	72,8	103,6	18 800	18 200	16 400	18 800	18 200	16 400	44,0
46,0	71,6	102,7	18 300	17 800	16 200	18 300	17 800	16 200	46,0
48,0	70,5	101,8	17 800	17 500	16 000	17 800	17 500	16 000	48,0
50,0	69,3	100,9	17 300	17 100	15 800	17 300	17 100	15 800	50,0
52,0	68,1	99,8	16 800	16 700	15 600	16 800	16 700	15 600	52,0
54,0	66,9	98,8	16 400	16 200	15 400	16 400	16 200	15 400	54,0
56,0	65,7	97,6	15 900	15 800	15 100	15 900	15 800	15 100	56,0
58,0	64,5	96,5	15 500	15 400	14 900	15 500	15 400	14 900	58,0
60,0	63,3	95,2	15 200	15 000	14 700	15 200	15 000	14 700	60,0
62,0	62,0	93,9	14 800	14 700	14 500	14 800	14 700	14 500	62,0
64,0	60,7	92,6	14 500	14 300	14 200	14 500	14 300	14 200	64,0
66,0	59,4	91,1	14 100	14 000	13 900	14 100	14 000	13 900	66,0
68,0	58,1	89,6	13 800	13 700	13 600	13 800	13 700	13 600	68,0
70,0	56,8	88,0	13 500	13 400	13 300	13 500	13 400	13 300	70,0
74,0	54,0	84,7	12 900	12 800	12 800	12 900	12 800	12 800	74,0
78,0	51,2	80,9	12 400	12 300	12 300	12 400	12 300	12 300	78,0
82,0	48,1	76,8	12 000	11 900	11 800	12 000	11 900	11 800	82,0
86,0	44,9	72,2	11 500	11 500	11 400	11 500	11 500	11 400	86,0
90,0	41,5	67,0	11 200	11 100	11 000	11 200	11 100	11 000	90,0
94,0	37,7	61,0	10 800	10 800	10 700	10 800	10 800	10 700	94,0
98,0	33,5	54,1	9 800	9 200	8 600	10 500	10 500	10 400	98,0
102,0	28,6	45,6	7 300	6 800	6 300	10 300	10 200	10 200	102,0
106,0									106,0

MLC650 VPC-MAX S-2



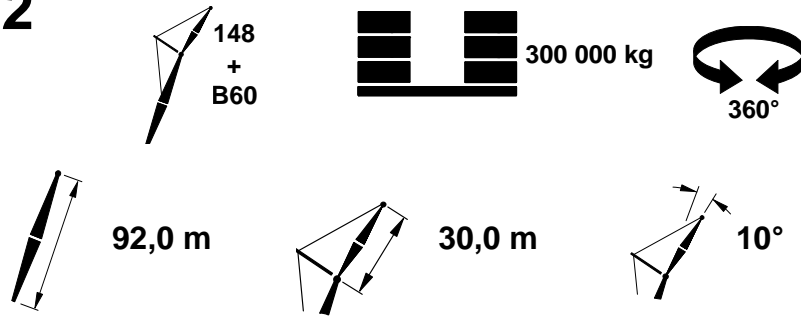
m	°	m	11,8 m			18,3 m			m
			0°	1°	2°	0°	1°	2°	
			kg	kg	kg	kg	kg	kg	
22,9	82,4	117,2	28 900			28 900			22,9
24,0	81,8	117,0	28 600			28 600			24,0
26,0	80,8	116,5	28 100	23 500	20 400	28 100	23 500	20 400	26,0
28,0	79,8	116,1	27 500	23 200	20 100	27 500	23 200	20 100	28,0
30,0	78,8	115,6	27 000	22 800	19 800	27 000	22 800	19 800	30,0
32,0	77,8	115,1	26 500	22 500	19 500	26 500	22 500	19 500	32,0
34,0	76,8	114,5	26 000	22 100	19 300	26 000	22 100	19 300	34,0
36,0	75,7	113,9	25 500	21 800	19 000	25 500	21 800	19 000	36,0
38,0	74,7	113,3	24 900	21 400	18 700	24 900	21 400	18 700	38,0
40,0	73,6	112,6	24 400	21 100	18 500	24 400	21 100	18 500	40,0
42,0	72,6	111,9	23 800	20 800	18 200	23 800	20 800	18 200	42,0
44,0	71,5	111,1	23 300	20 500	18 000	23 300	20 500	18 000	44,0
46,0	70,5	110,3	22 800	20 200	17 800	22 800	20 200	17 800	46,0
48,0	69,4	109,4	22 400	19 800	17 500	22 400	19 800	17 500	48,0
50,0	68,3	108,5	21 900	19 500	17 300	21 900	19 500	17 300	50,0
52,0	67,2	107,6	21 500	19 200	17 100	21 500	19 200	17 100	52,0
54,0	66,1	106,6	21 100	18 900	16 900	21 100	18 900	16 900	54,0
56,0	65,0	105,6	20 700	18 600	16 700	20 700	18 600	16 700	56,0
58,0	63,9	104,5	20 300	18 200	16 400	20 300	18 200	16 400	58,0
60,0	62,7	103,3	19 900	17 900	16 200	19 900	17 900	16 200	60,0
62,0	61,6	102,1	19 500	17 600	16 000	19 500	17 600	16 000	62,0
64,0	60,4	100,9	19 100	17 400	15 800	19 100	17 400	15 800	64,0
66,0	59,3	99,6	18 800	17 100	15 600	18 800	17 100	15 600	66,0
68,0	58,1	98,2	18 300	16 800	15 400	18 300	16 800	15 400	68,0
70,0	56,8	96,8	17 900	16 500	15 200	17 900	16 500	15 200	70,0
74,0	54,4	93,7	17 000	16 000	14 700	17 000	16 000	14 700	74,0
78,0	51,8	90,4	16 200	15 500	14 300	16 200	15 500	14 300	78,0
82,0	49,1	86,7	15 400	15 100	13 900	15 400	15 100	13 900	82,0
86,0	46,3	82,7	14 800	14 600	13 600	14 800	14 600	13 600	86,0
90,0	43,3	78,2	14 100	14 000	13 200	14 100	14 000	13 300	90,0
94,0	40,2	73,2	12 400	11 500	10 700	13 600	13 500	13 000	94,0
98,0	36,8	67,6	9 800	9 000	8 300	13 100	12 900	12 700	98,0
102,0	33,0	61,2	7 400	6 800	6 100	12 600	12 500	12 400	102,0
106,0	28,8	53,6	5 100	4 600	4 100	12 100	12 000	12 000	106,0
110,0	23,8	44,3				11 800	11 700	11 600	110,0
114,0	17,2	31,6				11 500	11 400	11 300	114,0

MLC650 VPC-MAX S-2



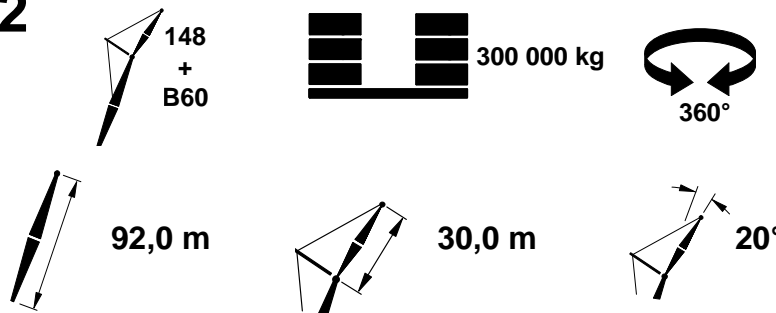
m	°	m	11,8 m			18,3 m			m
			0° kg	1° kg	2° kg	0° kg	1° kg	2° kg	
22,9									22,9
24,0									24,0
26,0									26,0
28,0	82,1	115,1	23 800			23 800			28,0
30,0	81,1	114,6	23 300	20 400		23 300	20 400		30,0
32,0	80,0	114,1	22 800	20 100	17 700	22 800	20 100	17 700	32,0
34,0	79,0	113,5	22 400	19 900	17 500	22 400	19 900	17 500	34,0
36,0	77,9	112,9	21 900	19 600	17 300	21 900	19 600	17 300	36,0
38,0	76,9	112,3	21 200	19 300	17 100	21 200	19 300	17 100	38,0
40,0	75,8	111,6	20 600	19 000	16 900	20 600	19 000	16 900	40,0
42,0	74,8	110,8	19 900	18 700	16 700	19 900	18 700	16 700	42,0
44,0	73,7	110,1	19 300	18 400	16 500	19 300	18 400	16 500	44,0
46,0	72,6	109,2	18 800	18 100	16 300	18 800	18 100	16 300	46,0
48,0	71,6	108,4	18 300	17 800	16 100	18 300	17 800	16 100	48,0
50,0	70,5	107,5	17 800	17 500	16 000	17 800	17 500	16 000	50,0
52,0	69,4	106,5	17 300	17 100	15 700	17 300	17 100	15 700	52,0
54,0	68,2	105,5	16 900	16 700	15 600	16 900	16 700	15 600	54,0
56,0	67,1	104,5	16 400	16 300	15 400	16 400	16 300	15 400	56,0
58,0	66,0	103,4	16 000	15 900	15 200	16 000	15 900	15 200	58,0
60,0	64,8	102,2	15 600	15 500	14 900	15 600	15 500	14 900	60,0
62,0	63,7	101,0	15 300	15 200	14 800	15 300	15 200	14 800	62,0
64,0	62,5	99,8	14 900	14 800	14 600	14 900	14 800	14 600	64,0
66,0	61,3	98,4	14 600	14 500	14 400	14 600	14 500	14 400	66,0
68,0	60,1	97,0	14 300	14 200	14 100	14 300	14 200	14 100	68,0
70,0	58,9	95,6	14 000	13 900	13 800	14 000	13 900	13 800	70,0
74,0	56,3	92,5	13 400	13 300	13 200	13 400	13 300	13 200	74,0
78,0	53,7	89,1	12 900	12 800	12 700	12 900	12 800	12 700	78,0
82,0	51,0	85,4	12 400	12 300	12 300	12 400	12 300	12 300	82,0
86,0	48,1	81,3	12 000	11 900	11 800	12 000	11 900	11 800	86,0
90,0	45,1	76,7	11 600	11 500	11 400	11 600	11 500	11 400	90,0
94,0	41,9	71,6	11 200	11 100	11 100	11 200	11 100	11 100	94,0
98,0	38,4	65,8	10 700	9 900	9 200	10 900	10 800	10 800	98,0
102,0	34,6	59,2	8 100	7 500	6 800	10 600	10 500	10 500	102,0
106,0	30,2	51,4	5 700	5 100	4 600	10 400	10 300	10 300	106,0
110,0									110,0
114,0									114,0

MLC650 VPC-MAX S-2



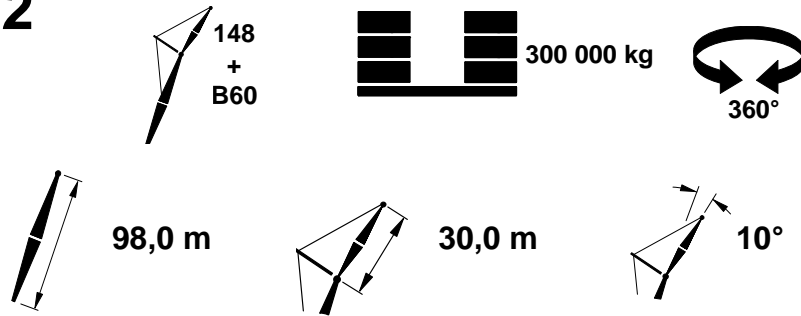
m	°	m	11,8 m			18,3 m			m
			0°	1°	2°	0°	1°	2°	
			kg	kg	kg	kg	kg	kg	
22,9	82,8	123,3	29 000			29 000			22,9
24,0	82,2	123,0	28 700			28 700			24,0
26,0	81,3	122,6	28 200	23 600		28 200	23 600		26,0
28,0	80,3	122,2	27 700	23 200	20 100	27 700	23 200	20 100	28,0
30,0	79,4	121,7	27 200	22 900	19 800	27 200	22 900	19 800	30,0
32,0	78,4	121,2	26 700	22 500	19 500	26 700	22 500	19 500	32,0
34,0	77,4	120,7	26 200	22 200	19 300	26 200	22 200	19 300	34,0
36,0	76,4	120,1	25 700	21 900	19 000	25 700	21 900	19 000	36,0
38,0	75,5	119,5	25 300	21 600	18 800	25 300	21 600	18 800	38,0
40,0	74,5	118,9	24 700	21 300	18 600	24 700	21 300	18 600	40,0
42,0	73,5	118,2	24 200	20 900	18 300	24 200	20 900	18 300	42,0
44,0	72,5	117,5	23 700	20 700	18 100	23 700	20 700	18 100	44,0
46,0	71,5	116,7	23 200	20 400	17 900	23 200	20 400	17 900	46,0
48,0	70,5	115,9	22 800	20 100	17 600	22 800	20 100	17 600	48,0
50,0	69,4	115,1	22 400	19 800	17 400	22 400	19 800	17 400	50,0
52,0	68,4	114,2	21 900	19 500	17 200	21 900	19 500	17 200	52,0
54,0	67,4	113,3	21 500	19 200	17 000	21 500	19 200	17 000	54,0
56,0	66,3	112,3	21 100	18 900	16 800	21 100	18 900	16 800	56,0
58,0	65,3	111,3	20 700	18 600	16 600	20 700	18 600	16 600	58,0
60,0	64,2	110,2	20 300	18 300	16 400	20 300	18 300	16 400	60,0
62,0	63,1	109,1	20 000	18 000	16 200	20 000	18 000	16 200	62,0
64,0	62,1	107,9	19 600	17 700	16 000	19 600	17 700	16 000	64,0
66,0	61,0	106,7	19 300	17 400	15 800	19 300	17 400	15 800	66,0
68,0	59,8	105,4	18 900	17 200	15 600	18 900	17 200	15 600	68,0
70,0	58,7	104,1	18 600	16 900	15 500	18 600	16 900	15 500	70,0
74,0	56,4	101,3	17 700	16 400	15 100	17 700	16 400	15 100	74,0
78,0	54,0	98,2	16 900	15 900	14 600	16 900	15 900	14 600	78,0
82,0	51,6	94,8	16 100	15 500	14 300	16 100	15 500	14 300	82,0
86,0	49,0	91,1	15 400	15 000	13 900	15 400	15 100	13 900	86,0
90,0	46,4	87,1	13 800	12 700	11 600	14 800	14 700	13 600	90,0
94,0	43,6	82,7	11 000	10 100	9 100	14 200	14 100	13 300	94,0
98,0	40,6	77,8	8 500	7 600	6 800	13 700	13 600	13 000	98,0
102,0	37,4	72,3	6 100	5 400	4 600	13 200	13 100	12 700	102,0
106,0	34,0	66,1	3 900			12 700	12 600	12 500	106,0
110,0	30,1	58,9				12 300	12 200	12 100	110,0
114,0	25,7	50,4				11 900	11 800	11 700	114,0
118,0	20,2	39,4				11 600	11 500	11 400	118,0

MLC650 VPC-MAX S-2



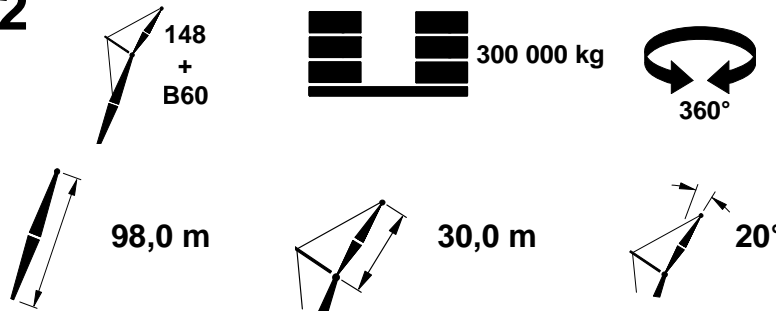
m	°	m	11,8 m			18,3 m			m
			0° kg	1° kg	2° kg	0° kg	1° kg	2° kg	
22,9									22,9
24,0									24,0
26,0									26,0
28,0	82,5	121,2	23 900			23 900			28,0
30,0	81,5	120,7	23 400			23 400			30,0
32,0	80,5	120,3	23 000	20 200	17 700	23 000	20 200	17 700	32,0
34,0	79,5	119,7	22 600	19 900	17 500	22 600	19 900	17 500	34,0
36,0	78,6	119,1	22 200	19 600	17 300	22 200	19 600	17 300	36,0
38,0	77,6	118,5	21 600	19 400	17 100	21 600	19 400	17 100	38,0
40,0	76,6	117,9	21 000	19 100	17 000	21 000	19 100	17 000	40,0
42,0	75,6	117,2	20 400	18 800	16 800	20 400	18 800	16 800	42,0
44,0	74,6	116,4	19 800	18 500	16 600	19 800	18 500	16 600	44,0
46,0	73,6	115,7	19 300	18 300	16 400	19 300	18 300	16 400	46,0
48,0	72,5	114,9	18 700	18 000	16 200	18 700	18 000	16 200	48,0
50,0	71,5	114,0	18 200	17 700	16 100	18 200	17 700	16 100	50,0
52,0	70,5	113,1	17 800	17 500	15 900	17 800	17 500	15 900	52,0
54,0	69,4	112,2	17 300	17 200	15 700	17 300	17 200	15 700	54,0
56,0	68,4	111,2	16 900	16 800	15 500	16 900	16 800	15 500	56,0
58,0	67,3	110,2	16 500	16 400	15 300	16 500	16 400	15 300	58,0
60,0	66,2	109,1	16 100	16 000	15 100	16 100	16 000	15 100	60,0
62,0	65,1	107,9	15 800	15 600	15 000	15 800	15 600	15 000	62,0
64,0	64,0	106,8	15 400	15 300	14 800	15 400	15 300	14 800	64,0
66,0	62,9	105,5	15 100	15 000	14 600	15 100	15 000	14 600	66,0
68,0	61,8	104,2	14 700	14 600	14 400	14 700	14 600	14 400	68,0
70,0	60,7	102,9	14 500	14 300	14 200	14 500	14 300	14 200	70,0
74,0	58,3	100,0	13 900	13 800	13 700	13 900	13 800	13 700	74,0
78,0	55,9	96,9	13 300	13 300	13 200	13 300	13 300	13 200	78,0
82,0	53,4	93,5	12 800	12 800	12 700	12 800	12 800	12 700	82,0
86,0	50,8	89,8	12 400	12 300	12 200	12 400	12 300	12 200	86,0
90,0	48,1	85,7	12 000	11 900	11 800	12 000	11 900	11 800	90,0
94,0	45,3	81,2	11 600	11 100	10 300	11 600	11 500	11 500	94,0
98,0	42,3	76,2	9 500	8 700	7 800	11 300	11 200	11 100	98,0
102,0	39,0	70,6	7 000	6 300	5 500	10 900	10 900	10 800	102,0
106,0	35,4	64,2	4 700	4 000	3 300	10 700	10 600	10 600	106,0
110,0	31,4	56,8				10 400	10 400	10 300	110,0
114,0	26,8	47,8				10 200	10 200	10 100	114,0
118,0									118,0

MLC650 VPC-MAX S-2



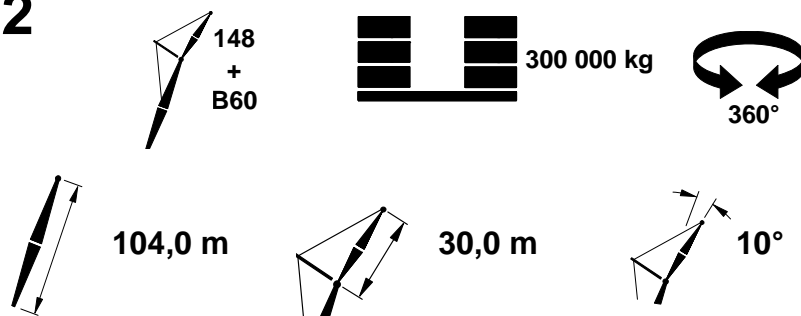
m	m	m	11,8 m			18,3 m			m
			0°	1°	2°	0°	1°	2°	
			kg	kg	kg	kg	kg	kg	
24,4	82,4	129,1	28 600			28 600			24,4
26,0	81,7	128,8	28 200	23 500		28 200	23 500		26,0
28,0	80,8	128,3	27 700	23 200		27 700	23 200		28,0
30,0	79,9	127,9	27 300	22 900	19 800	27 300	22 900	19 800	30,0
32,0	79,0	127,4	26 800	22 600	19 500	26 800	22 600	19 500	32,0
34,0	78,0	126,9	26 400	22 300	19 300	26 400	22 300	19 300	34,0
36,0	77,1	126,4	25 900	21 900	19 000	25 900	21 900	19 000	36,0
38,0	76,2	125,8	25 500	21 700	18 800	25 500	21 700	18 800	38,0
40,0	75,2	125,2	25 000	21 400	18 600	25 000	21 400	18 600	40,0
42,0	74,3	124,5	24 600	21 100	18 400	24 600	21 100	18 400	42,0
44,0	73,3	123,9	24 100	20 800	18 200	24 100	20 800	18 200	44,0
46,0	72,4	123,1	23 600	20 500	17 900	23 600	20 500	17 900	46,0
48,0	71,4	122,4	23 200	20 200	17 700	23 200	20 200	17 700	48,0
50,0	70,5	121,6	22 800	20 000	17 500	22 800	20 000	17 500	50,0
52,0	69,5	120,7	22 300	19 700	17 300	22 300	19 700	17 300	52,0
54,0	68,5	119,9	21 900	19 400	17 100	21 900	19 400	17 100	54,0
56,0	67,5	118,9	21 500	19 200	16 900	21 500	19 200	16 900	56,0
58,0	66,5	118,0	21 200	18 900	16 700	21 200	18 900	16 700	58,0
60,0	65,5	117,0	20 800	18 600	16 600	20 800	18 600	16 600	60,0
62,0	64,5	115,9	20 400	18 300	16 400	20 400	18 300	16 400	62,0
64,0	63,5	114,8	20 100	18 000	16 200	20 100	18 000	16 200	64,0
66,0	62,5	113,7	19 700	17 800	16 000	19 700	17 800	16 000	66,0
68,0	61,4	112,5	19 400	17 500	15 800	19 400	17 500	15 800	68,0
70,0	60,4	111,3	19 100	17 200	15 700	19 100	17 200	15 700	70,0
74,0	58,2	108,6	18 400	16 800	15 300	18 400	16 800	15 300	74,0
78,0	56,0	105,8	17 600	16 300	14 900	17 600	16 300	14 900	78,0
82,0	53,8	102,7	16 800	15 900	14 600	16 800	15 900	14 600	82,0
86,0	51,4	99,3	14 600	13 200	11 900	16 100	15 400	14 200	86,0
90,0	49,0	95,6	11 600	10 400	9 200	15 500	15 000	13 900	90,0
94,0	46,5	91,6	8 800	7 800	6 700	14 900	14 700	13 600	94,0
98,0	43,8	87,2	6 300	5 300	4 400	14 300	14 100	13 300	98,0
102,0	41,0	82,4	3 900	3 100		13 800	13 600	13 000	102,0
106,0	38,0	77,1				13 300	13 200	12 700	106,0
110,0	34,8	71,1				12 800	12 700	12 500	110,0
114,0	31,2	64,2				12 400	12 300	12 200	114,0
118,0	27,2	56,2				12 000	11 900	11 900	118,0
122,0	22,5	46,4				11 700	11 600	11 500	122,0

MLC650 VPC-MAX S-2



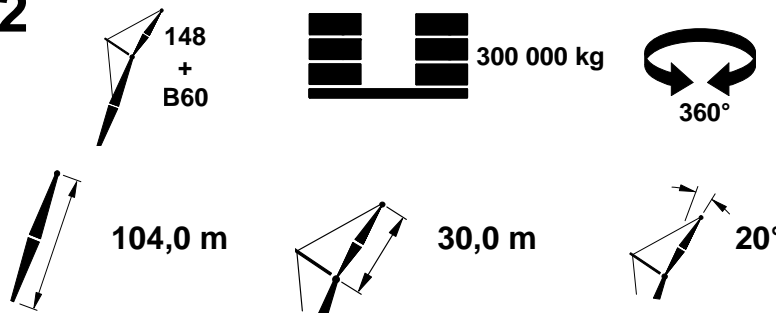
m	°	m	11,8 m			18,3 m			m
			0° kg	1° kg	2° kg	0° kg	1° kg	2° kg	
24,4									24,4
26,0									26,0
28,0									28,0
30,0	81,9	126,9	23 500			23 500			30,0
32,0	81,0	126,4	23 100	20 200	17 700	23 100	20 200	17 700	32,0
34,0	80,1	125,9	22 700	19 900	17 500	22 700	19 900	17 500	34,0
36,0	79,1	125,4	22 300	19 700	17 300	22 300	19 700	17 300	36,0
38,0	78,2	124,8	21 900	19 500	17 100	21 900	19 500	17 100	38,0
40,0	77,2	124,2	21 400	19 200	17 000	21 400	19 200	17 000	40,0
42,0	76,3	123,5	20 800	18 900	16 800	20 800	18 900	16 800	42,0
44,0	75,3	122,8	20 300	18 700	16 600	20 300	18 700	16 600	44,0
46,0	74,4	122,1	19 700	18 400	16 500	19 700	18 400	16 500	46,0
48,0	73,4	121,3	19 200	18 200	16 300	19 200	18 200	16 300	48,0
50,0	72,4	120,5	18 700	17 900	16 100	18 700	17 900	16 100	50,0
52,0	71,5	119,7	18 300	17 700	15 900	18 300	17 700	15 900	52,0
54,0	70,5	118,8	17 800	17 400	15 800	17 800	17 400	15 800	54,0
56,0	69,5	117,8	17 400	17 200	15 600	17 400	17 200	15 600	56,0
58,0	68,5	116,9	17 000	16 800	15 500	17 000	16 800	15 500	58,0
60,0	67,5	115,9	16 600	16 400	15 300	16 600	16 400	15 300	60,0
62,0	66,4	114,8	16 200	16 100	15 100	16 200	16 100	15 100	62,0
64,0	65,4	113,7	15 900	15 700	15 000	15 900	15 700	15 000	64,0
66,0	64,4	112,5	15 500	15 400	14 800	15 500	15 400	14 800	66,0
68,0	63,3	111,3	15 200	15 100	14 600	15 200	15 100	14 600	68,0
70,0	62,2	110,1	14 900	14 800	14 400	14 900	14 800	14 400	70,0
74,0	60,1	107,4	14 300	14 200	14 100	14 300	14 200	14 100	74,0
78,0	57,8	104,5	13 800	13 700	13 600	13 800	13 700	13 600	78,0
82,0	55,6	101,4	13 300	13 200	13 100	13 300	13 200	13 100	82,0
86,0	53,2	98,0	12 800	12 700	12 700	12 800	12 700	12 700	86,0
90,0	50,7	94,2	12 400	11 900	10 700	12 400	12 300	12 200	90,0
94,0	48,1	90,2	10 200	9 100	8 100	12 000	11 900	11 900	94,0
98,0	45,4	85,7	7 500	6 600	5 600	11 600	11 600	11 500	98,0
102,0	42,6	80,8	5 000	4 200	3 300	11 300	11 200	11 200	102,0
106,0	39,5	75,3				11 000	10 900	10 900	106,0
110,0	36,2	69,2				10 700	10 700	10 600	110,0
114,0	32,5	62,1				10 500	10 400	10 400	114,0
118,0	28,4	53,8				10 300	10 200	10 200	118,0
122,0									122,0

MLC650 VPC-MAX S-2



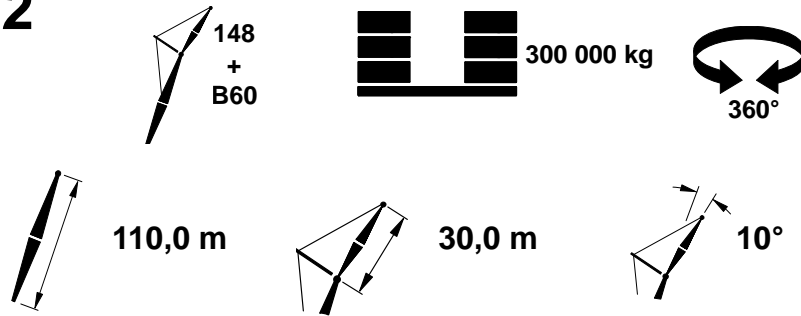
m	m	m	11,8 m			18,3 m			m
			0°	1°	2°	0°	1°	2°	
			kg	kg	kg	kg	kg	kg	
24,4	82,8	135,2	28 600			28 600			24,4
26,0	82,1	134,9	28 200			28 200			26,0
28,0	81,2	134,5	27 800	23 200		27 800	23 200		28,0
30,0	80,3	134,1	27 400	22 900	19 700	27 400	22 900	19 700	30,0
32,0	79,5	133,6	26 900	22 600	19 500	26 900	22 600	19 500	32,0
34,0	78,6	133,1	26 500	22 300	19 200	26 500	22 300	19 200	34,0
36,0	77,7	132,6	26 100	22 000	19 000	26 100	22 000	19 000	36,0
38,0	76,8	132,1	25 700	21 700	18 800	25 700	21 700	18 800	38,0
40,0	75,9	131,5	25 300	21 400	18 600	25 300	21 400	18 600	40,0
42,0	75,0	130,9	24 800	21 100	18 400	24 800	21 100	18 400	42,0
44,0	74,1	130,2	24 400	20 900	18 200	24 400	20 900	18 200	44,0
46,0	73,2	129,5	24 000	20 600	18 000	24 000	20 600	18 000	46,0
48,0	72,3	128,8	23 500	20 400	17 800	23 500	20 400	17 800	48,0
50,0	71,4	128,0	23 100	20 100	17 600	23 100	20 100	17 600	50,0
52,0	70,5	127,2	22 700	19 900	17 400	22 700	19 900	17 400	52,0
54,0	69,5	126,4	22 300	19 600	17 200	22 300	19 600	17 200	54,0
56,0	68,6	125,5	21 900	19 400	17 000	21 900	19 400	17 000	56,0
58,0	67,7	124,6	21 600	19 100	16 900	21 600	19 100	16 900	58,0
60,0	66,7	123,7	21 200	18 800	16 700	21 200	18 800	16 700	60,0
62,0	65,8	122,7	20 800	18 600	16 500	20 800	18 600	16 500	62,0
64,0	64,8	121,7	20 500	18 300	16 300	20 500	18 300	16 300	64,0
66,0	63,8	120,6	20 200	18 100	16 200	20 200	18 100	16 200	66,0
68,0	62,9	119,5	19 800	17 800	16 000	19 800	17 800	16 000	68,0
70,0	61,9	118,3	19 500	17 600	15 800	19 500	17 600	15 800	70,0
74,0	59,9	115,8	18 900	17 100	15 500	18 900	17 100	15 500	74,0
78,0	57,8	113,1	18 300	16 600	15 200	18 300	16 600	15 200	78,0
82,0	55,7	110,3	17 500	16 200	14 800	17 500	16 200	14 800	82,0
86,0	53,5	107,1	16 300	14 700	13 300	16 800	15 800	14 500	86,0
90,0	51,3	103,7	13 100	11 800	10 500	16 100	15 400	14 100	90,0
94,0	49,0	100,1	10 200	9 000	7 900	15 500	15 000	13 800	94,0
98,0	46,6	96,1	7 600	6 500	5 500	14 900	14 700	13 500	98,0
102,0	44,0	91,8	5 100	4 100	3 200	14 400	14 200	13 200	102,0
106,0	41,4	87,0				13 900	13 700	13 000	106,0
110,0	38,6	81,8				13 400	13 300	12 700	110,0
114,0	35,5	75,9				12 900	12 800	12 500	114,0
118,0	32,2	69,4				12 500	12 400	12 300	118,0
122,0	28,6	61,8				12 200	12 100	12 000	122,0
126,0	24,3	52,7				11 800	11 700	11 700	126,0
130,0	19,1	41,2				11 500	11 500	11 400	130,0

MLC650 VPC-MAX S-2



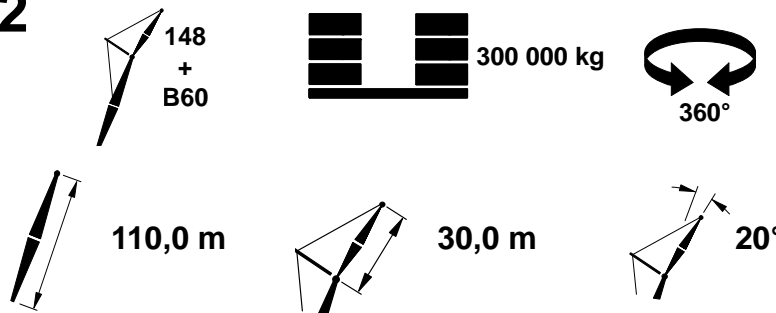
m	°	m	11,8 m			18,3 m			m
			0° kg	1° kg	2° kg	0° kg	1° kg	2° kg	
24,4									24,4
26,0									26,0
28,0									28,0
30,0	82,3	133,0	23 600			23 600			30,0
32,0	81,4	132,6	23 200	20 200		23 200	20 200		32,0
34,0	80,5	132,1	22 800	19 900	17 500	22 800	19 900	17 500	34,0
36,0	79,6	131,6	22 500	19 700	17 300	22 500	19 700	17 300	36,0
38,0	78,7	131,0	22 100	19 500	17 100	22 100	19 500	17 100	38,0
40,0	77,8	130,4	21 700	19 200	16 900	21 700	19 200	16 900	40,0
42,0	76,9	129,8	21 200	19 000	16 800	21 200	19 000	16 800	42,0
44,0	76,0	129,1	20 700	18 800	16 600	20 700	18 800	16 600	44,0
46,0	75,1	128,4	20 100	18 600	16 500	20 100	18 600	16 500	46,0
48,0	74,2	127,7	19 600	18 300	16 300	19 600	18 300	16 300	48,0
50,0	73,3	127,0	19 100	18 100	16 200	19 100	18 100	16 200	50,0
52,0	72,3	126,2	18 700	17 800	16 000	18 700	17 800	16 000	52,0
54,0	71,4	125,3	18 200	17 600	15 900	18 200	17 600	15 900	54,0
56,0	70,5	124,4	17 800	17 400	15 700	17 800	17 400	15 700	56,0
58,0	69,5	123,5	17 400	17 100	15 600	17 400	17 100	15 600	58,0
60,0	68,6	122,6	17 000	16 900	15 400	17 000	16 900	15 400	60,0
62,0	67,6	121,6	16 700	16 500	15 300	16 700	16 500	15 300	62,0
64,0	66,6	120,5	16 300	16 200	15 100	16 300	16 200	15 100	64,0
66,0	65,7	119,4	16 000	15 800	14 900	16 000	15 800	14 900	66,0
68,0	64,7	118,3	15 700	15 500	14 800	15 700	15 500	14 800	68,0
70,0	63,7	117,1	15 300	15 200	14 600	15 300	15 200	14 600	70,0
74,0	61,6	114,6	14 800	14 600	14 300	14 800	14 600	14 300	74,0
78,0	59,5	111,9	14 200	14 100	14 000	14 200	14 100	14 000	78,0
82,0	57,4	109,0	13 700	13 600	13 500	13 700	13 600	13 500	82,0
86,0	55,2	105,8	13 200	13 100	13 000	13 200	13 100	13 000	86,0
90,0	52,9	102,4	12 800	12 700	12 000	12 800	12 700	12 600	90,0
94,0	50,6	98,7	11 800	10 500	9 300	12 400	12 300	12 200	94,0
98,0	48,1	94,7	9 000	7 800	6 800	12 000	11 900	11 900	98,0
102,0	45,6	90,2	6 400	5 400	4 400	11 700	11 600	11 500	102,0
106,0	42,9	85,4	3 900			11 400	11 300	11 200	106,0
110,0	40,0	80,1				11 100	11 000	10 900	110,0
114,0	36,9	74,1				10 800	10 700	10 700	114,0
118,0	33,5	67,3				10 600	10 500	10 400	118,0
122,0	29,7	59,4				10 300	10 300	10 200	122,0
126,0									126,0
130,0									130,0

MLC650 VPC-MAX S-2



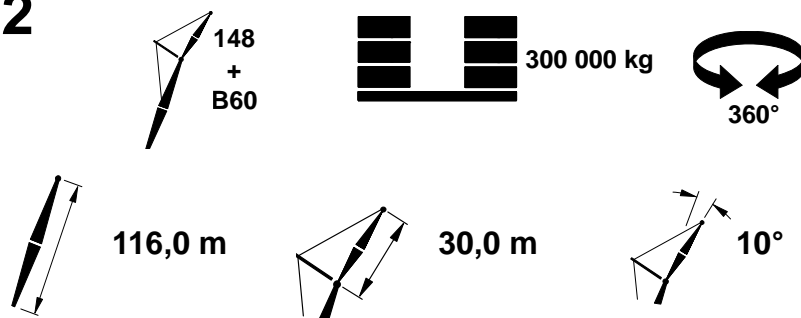
m	°	m	11,8 m			18,3 m			m
			0°	1°	2°	0°	1°	2°	
			kg	kg	kg	kg	kg	kg	
25,9	82,5	141,0	28 200			28 200			25,9
26,0	82,4	141,0	28 200			28 200			26,0
28,0	81,6	140,6	27 800	23 000		27 800	23 000		28,0
30,0	80,8	140,2	27 400	22 800		27 400	22 800		30,0
32,0	79,9	139,8	26 900	22 500	19 300	26 900	22 500	19 300	32,0
34,0	79,1	139,3	26 500	22 200	19 200	26 500	22 200	19 200	34,0
36,0	78,2	138,8	26 200	21 900	19 000	26 200	21 900	19 000	36,0
38,0	77,4	138,3	25 800	21 600	18 700	25 800	21 600	18 700	38,0
40,0	76,5	137,7	25 400	21 400	18 500	25 400	21 400	18 500	40,0
42,0	75,7	137,1	25 000	21 100	18 400	25 000	21 100	18 400	42,0
44,0	74,8	136,5	24 600	20 900	18 200	24 600	20 900	18 200	44,0
46,0	74,0	135,9	24 200	20 600	17 900	24 200	20 600	17 900	46,0
48,0	73,1	135,2	23 700	20 400	17 800	23 700	20 400	17 800	48,0
50,0	72,2	134,4	23 300	20 200	17 600	23 300	20 200	17 600	50,0
52,0	71,4	133,7	23 000	19 900	17 400	23 000	19 900	17 400	52,0
54,0	70,5	132,9	22 600	19 700	17 200	22 600	19 700	17 200	54,0
56,0	69,6	132,1	22 200	19 500	17 100	22 200	19 500	17 100	56,0
58,0	68,7	131,2	21 800	19 200	16 900	21 800	19 200	16 900	58,0
60,0	67,8	130,3	21 500	19 000	16 700	21 500	19 000	16 700	60,0
62,0	66,9	129,4	21 100	18 800	16 500	21 100	18 800	16 500	62,0
64,0	66,0	128,4	20 800	18 500	16 400	20 800	18 500	16 400	64,0
66,0	65,1	127,4	20 500	18 300	16 200	20 500	18 300	16 200	66,0
68,0	64,1	126,3	20 200	18 000	16 100	20 200	18 000	16 100	68,0
70,0	63,2	125,2	19 800	17 800	15 900	19 800	17 800	15 900	70,0
74,0	61,3	122,9	19 200	17 300	15 600	19 200	17 300	15 600	74,0
78,0	59,4	120,4	18 700	16 900	15 300	18 700	16 900	15 300	78,0
82,0	57,4	117,7	17 300	15 500	13 800	18 000	16 400	15 000	82,0
86,0	55,4	114,7	13 900	12 300	10 700	17 300	16 000	14 700	86,0
90,0	53,3	111,6	10 800	9 300	7 900	16 600	15 600	14 400	90,0
94,0	51,2	108,2	7 900	6 600	5 400	16 000	15 300	14 100	94,0
98,0	48,9	104,6	5 300	4 100		15 400	14 900	13 800	98,0
102,0	46,6	100,6				14 800	14 600	13 500	102,0
106,0	44,2	96,3				14 300	14 200	13 200	106,0
110,0	41,7	91,6				13 800	13 700	13 000	110,0
114,0	39,0	86,5				13 400	13 300	12 800	114,0
118,0	36,2	80,8				13 000	12 900	12 600	118,0
122,0	33,1	74,4				12 600	12 500	12 400	122,0
126,0	29,7	67,2				12 200	12 100	12 100	126,0
130,0	25,9	58,7				11 900	11 800	11 800	130,0
134,0	21,4	48,4				11 600	11 500	11 500	134,0

MLC650 VPC-MAX S-2



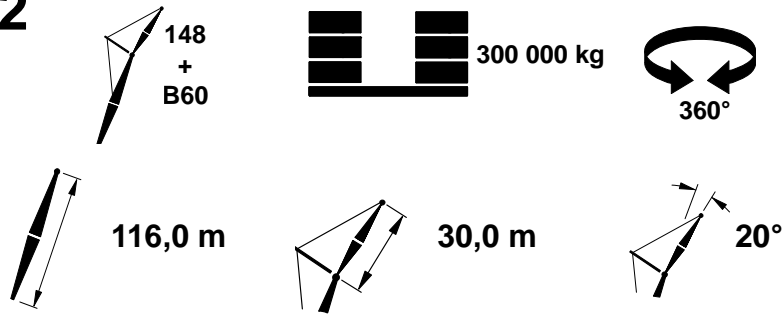
m	°	m	11,8 m			18,3 m			m
			0° kg	1° kg	2° kg	0° kg	1° kg	2° kg	
25,9									25,9
26,0									26,0
28,0									28,0
30,0									30,0
32,0	81,8	138,7	23 300	20 100		23 300	20 100		32,0
34,0	80,9	138,2	22 900	19 900		22 900	19 900		34,0
36,0	80,1	137,7	22 600	19 700	17 200	22 600	19 700	17 200	36,0
38,0	79,2	137,2	22 200	19 400	17 000	22 200	19 400	17 000	38,0
40,0	78,4	136,7	21 900	19 200	16 900	21 900	19 200	16 900	40,0
42,0	77,5	136,1	21 500	19 000	16 700	21 500	19 000	16 700	42,0
44,0	76,7	135,4	21 000	18 800	16 600	21 000	18 800	16 600	44,0
46,0	75,8	134,8	20 500	18 600	16 400	20 500	18 600	16 400	46,0
48,0	74,9	134,1	20 000	18 400	16 300	20 000	18 400	16 300	48,0
50,0	74,0	133,4	19 500	18 200	16 200	19 500	18 200	16 200	50,0
52,0	73,2	132,6	19 000	17 900	16 000	19 000	17 900	16 000	52,0
54,0	72,3	131,8	18 600	17 700	15 900	18 600	17 700	15 900	54,0
56,0	71,4	131,0	18 200	17 500	15 700	18 200	17 500	15 700	56,0
58,0	70,5	130,1	17 800	17 300	15 600	17 800	17 300	15 600	58,0
60,0	69,6	129,2	17 400	17 000	15 400	17 400	17 000	15 400	60,0
62,0	68,7	128,2	17 000	16 800	15 300	17 000	16 800	15 300	62,0
64,0	67,7	127,3	16 700	16 500	15 200	16 700	16 500	15 200	64,0
66,0	66,8	126,2	16 300	16 200	15 000	16 300	16 200	15 000	66,0
68,0	65,9	125,2	16 000	15 800	14 900	16 000	15 800	14 900	68,0
70,0	64,9	124,1	15 700	15 500	14 700	15 700	15 500	14 700	70,0
74,0	63,0	121,7	15 100	15 000	14 400	15 100	15 000	14 400	74,0
78,0	61,1	119,2	14 500	14 400	14 200	14 500	14 400	14 200	78,0
82,0	59,1	116,4	14 000	13 900	13 800	14 000	13 900	13 800	82,0
86,0	57,0	113,5	13 500	13 500	12 600	13 500	13 500	13 400	86,0
90,0	54,9	110,3	12 600	11 100	9 700	13 100	13 000	12 900	90,0
94,0	52,7	106,9	9 600	8 200	6 900	12 700	12 600	12 500	94,0
98,0	50,5	103,2	6 800	5 600	4 400	12 300	12 300	12 200	98,0
102,0	48,1	99,1	4 200	3 100		12 000	11 900	11 800	102,0
106,0	45,7	94,8				11 600	11 600	11 500	106,0
110,0	43,1	90,0				11 400	11 300	11 200	110,0
114,0	40,4	84,7				11 100	11 000	10 900	114,0
118,0	37,5	78,9				10 800	10 800	10 700	118,0
122,0	34,4	72,4				10 600	10 500	10 500	122,0
126,0	30,9	64,9				10 400	10 300	10 300	126,0
130,0									130,0
134,0									134,0

MLC650 VPC-MAX S-2



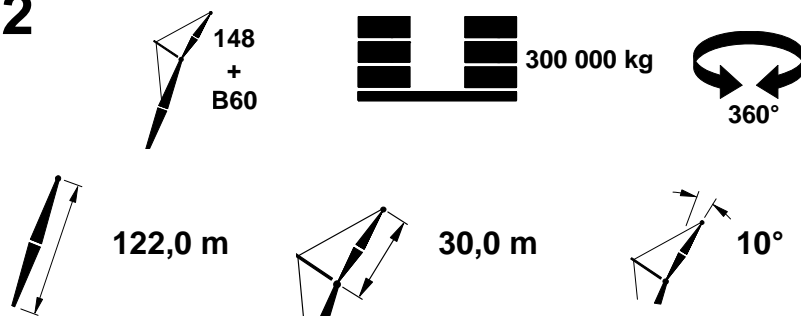
m	°	m	11,8 m			18,3 m			m
			0°	1°	2°	0°	1°	2°	
			kg	kg	kg	kg	kg	kg	
25,9	82,8	147,1	28 100			28 100			25,9
26,0	82,7	147,0	28 100			28 100			26,0
28,0	81,9	146,7	27 700			27 700			28,0
30,0	81,1	146,3	27 300	22 700		27 300	22 700		30,0
32,0	80,3	145,9	26 900	22 400	19 200	26 900	22 400	19 200	32,0
34,0	79,5	145,5	26 500	22 100	19 000	26 500	22 100	19 000	34,0
36,0	78,7	145,0	26 200	21 900	18 800	26 200	21 900	18 800	36,0
38,0	77,9	144,5	25 800	21 600	18 600	25 800	21 600	18 600	38,0
40,0	77,1	143,9	25 500	21 400	18 500	25 500	21 400	18 500	40,0
42,0	76,3	143,4	25 100	21 100	18 300	25 100	21 100	18 300	42,0
44,0	75,5	142,8	24 700	20 900	18 100	24 700	20 900	18 100	44,0
46,0	74,7	142,2	24 400	20 600	17 900	24 400	20 600	17 900	46,0
48,0	73,8	141,5	24 000	20 400	17 700	24 000	20 400	17 700	48,0
50,0	73,0	140,8	23 600	20 200	17 600	23 600	20 200	17 600	50,0
52,0	72,2	140,1	23 200	20 000	17 400	23 200	20 000	17 400	52,0
54,0	71,3	139,4	22 800	19 700	17 200	22 800	19 700	17 200	54,0
56,0	70,5	138,6	22 400	19 500	17 100	22 400	19 500	17 100	56,0
58,0	69,6	137,7	22 100	19 300	16 900	22 100	19 300	16 900	58,0
60,0	68,8	136,9	21 700	19 100	16 700	21 700	19 100	16 700	60,0
62,0	67,9	136,0	21 400	18 900	16 600	21 400	18 900	16 600	62,0
64,0	67,1	135,1	21 100	18 700	16 400	21 100	18 700	16 400	64,0
66,0	66,2	134,1	20 700	18 400	16 300	20 700	18 400	16 300	66,0
68,0	65,3	133,1	20 400	18 200	16 100	20 400	18 200	16 100	68,0
70,0	64,4	132,1	20 100	18 000	16 000	20 100	18 000	16 000	70,0
74,0	62,6	129,8	19 600	17 500	15 700	19 600	17 500	15 700	74,0
78,0	60,8	127,5	19 000	17 100	15 400	19 000	17 100	15 400	78,0
82,0	58,9	124,9	17 000	15 100	13 200	18 500	16 700	15 100	82,0
86,0	57,0	122,2	13 600	11 800	10 200	17 800	16 300	14 900	86,0
90,0	55,1	119,2	10 400	8 900	7 400	17 200	15 900	14 600	90,0
94,0	53,1	116,1	7 600	6 200	4 800	16 500	15 500	14 300	94,0
98,0	51,0	112,7	4 900	3 700		15 900	15 200	14 000	98,0
102,0	48,9	109,0				15 300	14 900	13 700	102,0
106,0	46,7	105,1				14 800	14 600	13 400	106,0
110,0	44,4	100,8				14 300	14 200	13 200	110,0
114,0	42,0	96,2				13 900	13 700	13 000	114,0
118,0	39,5	91,1				13 400	13 300	12 800	118,0
122,0	36,8	85,6				13 000	12 900	12 600	122,0
126,0	33,9	79,4				12 700	12 600	12 400	126,0
130,0	30,7	72,5				12 300	12 200	12 100	130,0
134,0	27,2	64,5				12 000	11 900	11 600	134,0
138,0	23,2	55,0				11 000	10 700	10 000	138,0

MLC650 VPC-MAX S-2



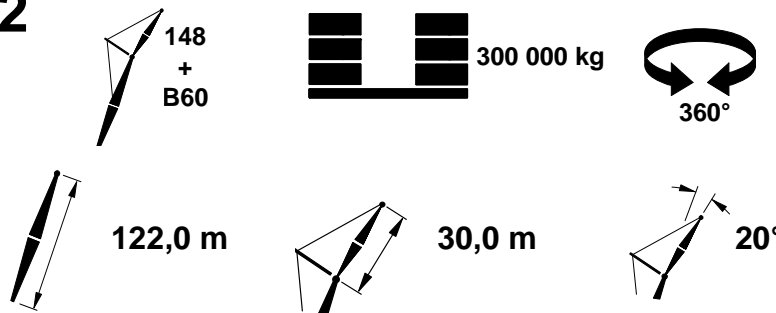
m	°	m	11,8 m			18,3 m			m
			0° kg	1° kg	2° kg	0° kg	1° kg	2° kg	
25,9									25,9
26,0									26,0
28,0									28,0
30,0									30,0
32,0	82,1	144,8	23 300			23 300			32,0
34,0	81,3	144,4	23 000	19 800		23 000	19 800		34,0
36,0	80,5	143,9	22 600	19 600	17 100	22 600	19 600	17 100	36,0
38,0	79,7	143,4	22 300	19 400	16 900	22 300	19 400	16 900	38,0
40,0	78,9	142,9	22 000	19 200	16 800	22 000	19 200	16 800	40,0
42,0	78,1	142,3	21 700	19 000	16 700	21 700	19 000	16 700	42,0
44,0	77,2	141,7	21 300	18 800	16 500	21 300	18 800	16 500	44,0
46,0	76,4	141,1	20 800	18 600	16 400	20 800	18 600	16 400	46,0
48,0	75,6	140,4	20 300	18 400	16 300	20 300	18 400	16 300	48,0
50,0	74,7	139,7	19 800	18 200	16 100	19 800	18 200	16 100	50,0
52,0	73,9	139,0	19 400	18 000	16 000	19 400	18 000	16 000	52,0
54,0	73,0	138,2	18 900	17 800	15 900	18 900	17 800	15 900	54,0
56,0	72,2	137,5	18 500	17 600	15 700	18 500	17 600	15 700	56,0
58,0	71,3	136,6	18 100	17 400	15 600	18 100	17 400	15 600	58,0
60,0	70,5	135,8	17 700	17 200	15 500	17 700	17 200	15 500	60,0
62,0	69,6	134,9	17 400	17 000	15 400	17 400	17 000	15 400	62,0
64,0	68,7	133,9	17 000	16 800	15 200	17 000	16 800	15 200	64,0
66,0	67,9	133,0	16 700	16 500	15 100	16 700	16 500	15 100	66,0
68,0	67,0	131,9	16 300	16 200	15 000	16 300	16 200	15 000	68,0
70,0	66,1	130,9	16 000	15 900	14 800	16 000	15 900	14 800	70,0
74,0	64,3	128,7	15 400	15 300	14 500	15 400	15 300	14 500	74,0
78,0	62,4	126,3	14 900	14 700	14 300	14 900	14 700	14 300	78,0
82,0	60,5	123,7	14 400	14 200	14 000	14 400	14 200	14 000	82,0
86,0	58,6	120,9	13 900	13 500	12 100	13 900	13 800	13 700	86,0
90,0	56,7	117,9	12 300	10 700	9 200	13 400	13 300	13 300	90,0
94,0	54,6	114,8	9 300	7 900	6 500	13 000	12 900	12 800	94,0
98,0	52,5	111,3	6 500	5 200	4 000	12 600	12 600	12 500	98,0
102,0	50,4	107,6	3 900			12 300	12 200	12 100	102,0
106,0	48,2	103,6				12 000	11 900	11 800	106,0
110,0	45,8	99,3				11 700	11 600	11 500	110,0
114,0	43,4	94,6				11 400	11 300	11 200	114,0
118,0	40,8	89,4				11 100	11 000	11 000	118,0
122,0	38,1	83,7				10 800	10 800	10 700	122,0
126,0	35,1	77,4				10 600	10 600	10 500	126,0
130,0	31,9	70,3				10 400	10 400	10 300	130,0
134,0	28,2	62,0				10 300	10 200	10 200	134,0
138,0									138,0

MLC650 VPC-MAX S-2



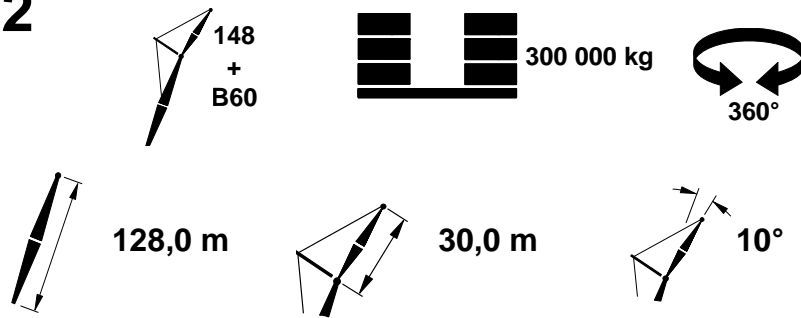
m	m	m	11,8 m			18,3 m			m
			0°	1°	2°	0°	1°	2°	
			kg	kg	kg	kg	kg	kg	
27,4	82,5	152,9	27 700			27 700			27,4
28,0	82,3	152,8	27 600			27 600			28,0
30,0	81,5	152,4	27 200	22 500		27 200	22 500		30,0
32,0	80,7	152,0	26 900	22 200	19 100	26 900	22 200	19 100	32,0
34,0	80,0	151,6	26 500	22 000	18 900	26 500	22 000	18 900	34,0
36,0	79,2	151,1	26 200	21 700	18 700	26 200	21 700	18 700	36,0
38,0	78,4	150,7	25 800	21 500	18 500	25 800	21 500	18 500	38,0
40,0	77,6	150,2	25 500	21 300	18 300	25 500	21 300	18 300	40,0
42,0	76,9	149,6	25 100	21 000	18 200	25 100	21 000	18 200	42,0
44,0	76,1	149,1	24 800	20 800	18 000	24 800	20 800	18 000	44,0
46,0	75,3	148,5	24 400	20 600	17 800	24 400	20 600	17 800	46,0
48,0	74,5	147,8	24 100	20 400	17 700	24 100	20 400	17 700	48,0
50,0	73,7	147,2	23 800	20 200	17 500	23 800	20 200	17 500	50,0
52,0	72,9	146,5	23 400	19 900	17 300	23 400	19 900	17 300	52,0
54,0	72,1	145,8	23 000	19 700	17 200	23 000	19 700	17 200	54,0
56,0	71,3	145,0	22 700	19 500	17 000	22 700	19 500	17 000	56,0
58,0	70,5	144,2	22 400	19 300	16 900	22 400	19 300	16 900	58,0
60,0	69,7	143,4	22 000	19 100	16 700	22 000	19 100	16 700	60,0
62,0	68,9	142,6	21 700	19 000	16 600	21 700	19 000	16 600	62,0
64,0	68,0	141,7	21 300	18 700	16 400	21 300	18 700	16 400	64,0
66,0	67,2	140,8	21 100	18 600	16 300	21 100	18 600	16 300	66,0
68,0	66,4	139,8	20 700	18 300	16 200	20 700	18 300	16 200	68,0
70,0	65,5	138,8	20 500	18 200	16 000	20 500	18 200	16 000	70,0
74,0	63,8	136,7	19 900	17 700	15 700	19 900	17 700	15 700	74,0
78,0	62,1	134,5	18 500	16 200	14 100	19 300	17 300	15 500	78,0
82,0	60,3	132,1	14 700	12 700	10 800	18 800	16 900	15 200	82,0
86,0	58,5	129,5	11 300	9 500	7 700	18 300	16 500	15 000	86,0
90,0	56,7	126,7	8 100	6 500	4 900	17 700	16 200	14 700	90,0
94,0	54,8	123,7	5 300	3 800		17 100	15 800	14 400	94,0
98,0	52,9	120,6				16 400	15 500	14 200	98,0
102,0	50,9	117,2				15 900	15 100	13 900	102,0
106,0	48,9	113,5				15 300	14 800	13 600	106,0
110,0	46,8	109,6				14 800	14 500	13 400	110,0
114,0	44,6	105,3				14 400	14 200	13 200	114,0
118,0	42,3	100,8				13 900	13 800	13 000	118,0
122,0	39,9	95,8				13 500	13 400	12 800	122,0
126,0	37,3	90,3				13 100	13 000	12 600	126,0
130,0	34,6	84,3				12 600	12 300	11 400	130,0
134,0	31,7	77,6				10 900	10 600	9 700	134,0
138,0	28,4	70,0				9 200	9 000	8 200	138,0
142,0	24,7	61,2				7 600	7 400	6 700	142,0
146,0	20,4	50,3				6 100	5 900	5 300	146,0

MLC650 VPC-MAX S-2



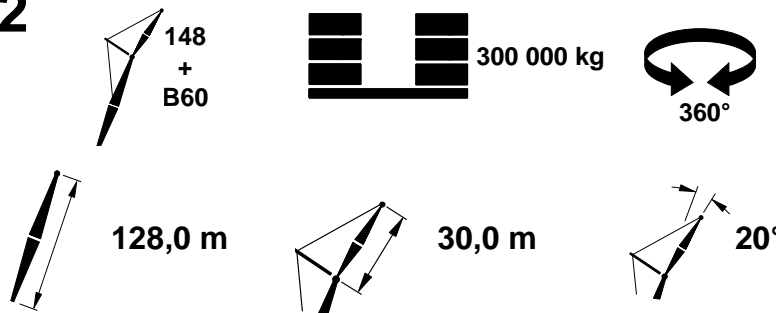
m	°	m	11,8 m			18,3 m			m
			0°	1°	2°	0°	1°	2°	
			kg	kg	kg	kg	kg	kg	
27,4									27,4
28,0									28,0
30,0									30,0
32,0	82,5	151,0	23 300			23 300			32,0
34,0	81,7	150,5	23 000	19 700		23 000	19 700		34,0
36,0	80,9	150,1	22 700	19 500		22 700	19 500		36,0
38,0	80,1	149,6	22 400	19 300	16 800	22 400	19 300	16 800	38,0
40,0	79,3	149,1	22 100	19 200	16 700	22 100	19 200	16 700	40,0
42,0	78,5	148,5	21 800	19 000	16 600	21 800	19 000	16 600	42,0
44,0	77,8	148,0	21 400	18 800	16 400	21 400	18 800	16 400	44,0
46,0	77,0	147,4	21 100	18 600	16 300	21 100	18 600	16 300	46,0
48,0	76,2	146,7	20 600	18 400	16 200	20 600	18 400	16 200	48,0
50,0	75,4	146,1	20 200	18 200	16 100	20 200	18 200	16 100	50,0
52,0	74,6	145,4	19 700	18 100	15 900	19 700	18 100	15 900	52,0
54,0	73,8	144,7	19 300	17 900	15 800	19 300	17 900	15 800	54,0
56,0	72,9	143,9	18 900	17 700	15 700	18 900	17 700	15 700	56,0
58,0	72,1	143,1	18 500	17 500	15 600	18 500	17 500	15 600	58,0
60,0	71,3	142,3	18 100	17 300	15 500	18 100	17 300	15 500	60,0
62,0	70,5	141,4	17 700	17 100	15 300	17 700	17 100	15 300	62,0
64,0	69,6	140,5	17 400	16 900	15 200	17 400	16 900	15 200	64,0
66,0	68,8	139,6	17 000	16 700	15 100	17 000	16 700	15 100	66,0
68,0	68,0	138,6	16 700	16 500	15 000	16 700	16 500	15 000	68,0
70,0	67,1	137,6	16 400	16 200	14 900	16 400	16 200	14 900	70,0
74,0	65,4	135,5	15 800	15 700	14 600	15 800	15 700	14 600	74,0
78,0	63,7	133,3	15 200	15 100	14 400	15 200	15 100	14 400	78,0
82,0	61,9	130,8	14 700	14 600	13 000	14 700	14 600	14 100	82,0
86,0	60,1	128,2	13 500	11 600	9 800	14 200	14 100	13 900	86,0
90,0	58,2	125,4	10 200	8 500	6 900	13 800	13 700	13 600	90,0
94,0	56,3	122,4	7 200	5 600	4 200	13 400	13 300	13 200	94,0
98,0	54,4	119,2	4 400			13 000	12 900	12 800	98,0
102,0	52,4	115,8				12 600	12 500	12 500	102,0
106,0	50,3	112,1				12 300	12 200	12 100	106,0
110,0	48,2	108,1				12 000	11 900	11 800	110,0
114,0	45,9	103,8				11 700	11 600	11 500	114,0
118,0	43,6	99,1				11 400	11 300	11 300	118,0
122,0	41,1	94,1				11 100	11 100	11 000	122,0
126,0	38,5	88,5				10 900	10 800	10 800	126,0
130,0	35,8	82,4				10 700	10 600	10 600	130,0
134,0	32,7	75,5				10 500	10 400	10 200	134,0
138,0	29,4	67,6				9 600	9 300	8 600	138,0
142,0									142,0
146,0									146,0

MLC650 VPC-MAX S-2



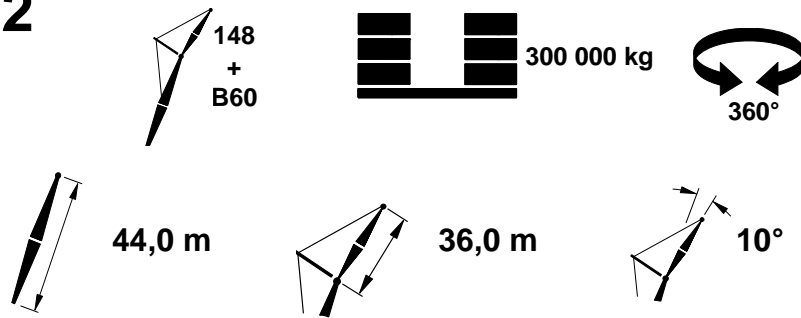
m	°	m	11,8 m			18,3 m			m
			0°	1°	2°	0°	1°	2°	
			kg	kg	kg	kg	kg	kg	
27,4	82,8	159,0	27 500			27 500			27,4
28,0	82,6	158,8	27 400			27 400			28,0
30,0	81,8	158,5	27 000			27 000			30,0
32,0	81,1	158,1	26 700			26 700			32,0
34,0	80,3	157,7	26 400	22 000		26 400	22 000		34,0
36,0	79,6	157,3	26 100	21 600	18 700	26 100	21 600	18 700	36,0
38,0	78,9	156,8	25 700	21 300	18 300	25 700	21 300	18 300	38,0
40,0	78,1	156,3	25 400	21 100	18 200	25 400	21 100	18 200	40,0
42,0	77,4	155,8	25 100	20 900	18 000	25 100	20 900	18 000	42,0
44,0	76,6	155,3	24 800	20 700	17 800	24 800	20 700	17 800	44,0
46,0	75,9	154,7	24 500	20 500	17 700	24 500	20 500	17 700	46,0
48,0	75,1	154,1	24 200	20 300	17 500	24 200	20 300	17 500	48,0
50,0	74,3	153,5	23 900	20 100	17 400	23 900	20 100	17 400	50,0
52,0	73,6	152,8	23 500	19 900	17 200	23 500	19 900	17 200	52,0
54,0	72,8	152,1	23 200	19 700	17 100	23 200	19 700	17 100	54,0
56,0	72,0	151,4	22 900	19 500	16 900	22 900	19 500	16 900	56,0
58,0	71,3	150,6	22 500	19 300	16 800	22 500	19 300	16 800	58,0
60,0	70,5	149,9	22 200	19 200	16 700	22 200	19 200	16 700	60,0
62,0	69,7	149,0	21 900	19 000	16 500	21 900	19 000	16 500	62,0
64,0	68,9	148,2	21 600	18 800	16 400	21 600	18 800	16 400	64,0
66,0	68,1	147,3	21 300	18 600	16 300	21 300	18 600	16 300	66,0
68,0	67,3	146,4	21 000	18 400	16 100	21 000	18 400	16 100	68,0
70,0	66,5	145,5	20 700	18 200	16 000	20 700	18 200	16 000	70,0
74,0	64,9	143,5	20 200	17 900	15 700	20 200	17 900	15 700	74,0
78,0	63,3	141,3	18 000	15 600	13 400	19 600	17 500	15 500	78,0
82,0	61,6	139,0	14 200	12 100	10 000	19 100	17 100	15 300	82,0
86,0	59,9	136,6	10 800	8 800	7 000	18 600	16 700	15 000	86,0
90,0	58,1	134,0	7 600	5 900	4 200	18 200	16 400	14 800	90,0
94,0	56,4	131,2	4 700			17 600	16 000	14 600	94,0
98,0	54,6	128,2				17 000	15 700	14 300	98,0
102,0	52,7	125,0				16 400	15 400	14 000	102,0
106,0	50,8	121,6				15 800	15 100	13 800	106,0
110,0	48,8	117,9				15 300	14 800	13 600	110,0
114,0	46,8	114,0				14 800	14 500	13 400	114,0
118,0	44,7	109,8				14 400	14 200	13 100	118,0
122,0	42,5	105,3				14 000	13 800	12 900	122,0
126,0	40,2	100,4				13 600	13 400	12 500	126,0
130,0	37,8	95,0				12 200	11 900	10 900	130,0
134,0	35,2	89,2				10 500	10 200	9 200	134,0
138,0	32,4	82,7				8 800	8 500	7 700	138,0
142,0	29,4	75,4				7 300	7 000	6 200	142,0
146,0	26,1	67,0				5 700	5 500	4 800	146,0
150,0	22,2	57,0				3 900	4 100	3 500	150,0

MLC650 VPC-MAX S-2



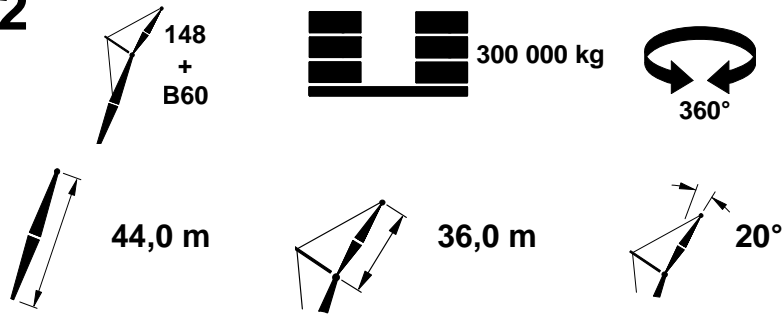
m	°	m	11,8 m			18,3 m			m
			0° kg	1° kg	2° kg	0° kg	1° kg	2° kg	
27,4									27,4
28,0									28,0
30,0									30,0
32,0	82,7	157,1	23 300			23 300			32,0
34,0	82,0	156,6	23 000			23 000			34,0
36,0	81,2	156,2	22 700			22 700			36,0
38,0	80,5	155,7	22 400			22 400			38,0
40,0	79,7	155,2	22 100			22 100			40,0
42,0	79,0	154,7	21 800			21 800			42,0
44,0	78,2	154,2	21 500			21 500			44,0
46,0	77,5	153,6	21 200			21 200			46,0
48,0	76,7	153,0	20 900			20 900			48,0
50,0	75,9	152,4	20 500			20 500			50,0
52,0	75,2	151,7	20 100			20 100			52,0
54,0	74,4	151,0	19 600			19 600			54,0
56,0	73,6	150,3	19 200			19 200			56,0
58,0	72,8	149,5	18 800			18 800			58,0
60,0	72,1	148,7	18 400			18 400			60,0
62,0	71,3	147,9	18 100			18 100			62,0
64,0	70,5	147,1	17 700			17 700			64,0
66,0	69,7	146,2	17 400			17 400			66,0
68,0	68,9	145,3	17 000			17 000			68,0
70,0	68,1	144,3	16 700			16 700			70,0
74,0	66,4	142,3	16 100			16 100			74,0
78,0	64,8	140,1	15 600			15 600			78,0
82,0	63,1	137,8	15 100			15 100			82,0
86,0	61,4	135,3	13 100			14 600			86,0
90,0	59,6	132,7	9 800			14 100			90,0
94,0	57,8	129,9	6 700			13 700			94,0
98,0	56,0	126,9	3 900			13 300			98,0
102,0	54,1	123,6				12 900			102,0
106,0	52,2	120,2				12 600			106,0
110,0	50,2	116,5				12 300			110,0
114,0	48,1	112,5				12 000			114,0
118,0	46,0	108,3				11 700			118,0
122,0	43,8	103,6				11 400			122,0
126,0	41,4	98,7				11 200			126,0
130,0	39,0	93,2				10 900			130,0
134,0	36,3	87,2				10 700			134,0
138,0	33,5	80,5				9 300			138,0
142,0	30,4	73,0				7 700			142,0
146,0	26,9	64,3				6 100			146,0
150,0									150,0

MLC650 VPC-MAX S-2



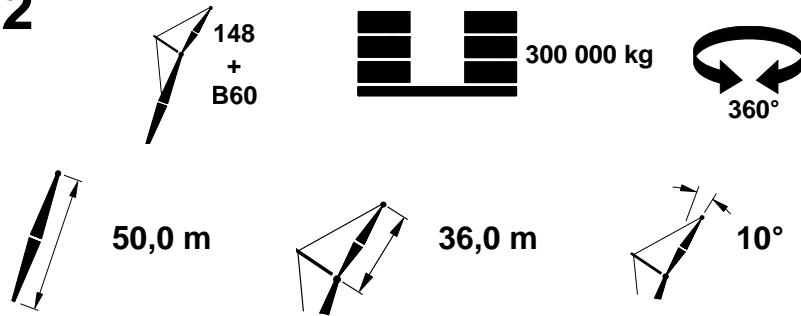
m	°	m	11,8 m			18,3 m			m
			0° kg	1° kg	2° kg	0° kg	1° kg	2° kg	
19,8	82,3	81,0	22 700b			22 700b			19,8
20,0	82,2	81,0	22 600b			22 600b			20,0
22,0	80,7	80,5	21 800b	18 600b		21 800b	18 600b		22,0
24,0	79,2	79,9	20 900	18 000	15 700	20 900	18 000	15 700	24,0
26,0	77,7	79,3	20 200	17 500	15 300	20 200	17 500	15 300	26,0
28,0	76,2	78,7	19 400	17 000	15 000	19 400	17 000	15 000	28,0
30,0	74,7	77,9	18 700	16 500	14 600	18 700	16 500	14 600	30,0
32,0	73,1	77,1	18 000	16 000	14 200	18 000	16 000	14 200	32,0
34,0	71,6	76,3	17 300	15 400	13 800	17 300	15 400	13 800	34,0
36,0	70,0	75,4	16 700	15 000	13 500	16 700	15 000	13 500	36,0
38,0	68,4	74,4	16 100	14 500	13 100	16 100	14 500	13 100	38,0
40,0	66,8	73,3	15 500	14 100	12 700	15 500	14 100	12 700	40,0
42,0	65,1	72,2	15 000	13 600	12 400	15 000	13 600	12 400	42,0
44,0	63,5	71,0	14 500	13 200	12 100	14 500	13 200	12 100	44,0
46,0	61,8	69,7	14 000	12 800	11 700	14 000	12 800	11 700	46,0
48,0	60,0	68,3	13 500	12 400	11 400	13 500	12 400	11 400	48,0
50,0	58,2	66,8	13 000	12 000	11 100	13 000	12 000	11 100	50,0
52,0	56,4	65,2	12 600	11 700	10 800	12 600	11 700	10 800	52,0
54,0	54,6	63,6	12 200	11 400	10 500	12 200	11 400	10 500	54,0
56,0	52,6	61,8	11 800	11 000	10 300	11 800	11 000	10 300	56,0
58,0	50,6	59,8	11 500	10 700	10 000	11 500	10 700	10 000	58,0
60,0	48,6	57,8	11 100	10 400	9 700	11 100	10 400	9 700	60,0
62,0	46,4	55,6	10 800	10 100	9 500	10 800	10 100	9 500	62,0
64,0	44,2	53,2	10 500	9 900	9 300	10 500	9 900	9 300	64,0
66,0	41,9	50,6	10 200	9 600	9 000	10 200	9 600	9 000	66,0
68,0	39,4	47,7	10 000	9 400	8 800	10 000	9 400	8 800	68,0
70,0	36,7	44,6	9 700	9 200	8 600	9 700	9 200	8 600	70,0
74,0	30,6	37,1	9 300	8 800	8 300	9 300	8 800	8 300	74,0
78,0	22,7	26,8	8 900	8 500	8 000	8 900	8 500	8 000	78,0

MLC650 VPC-MAX S-2



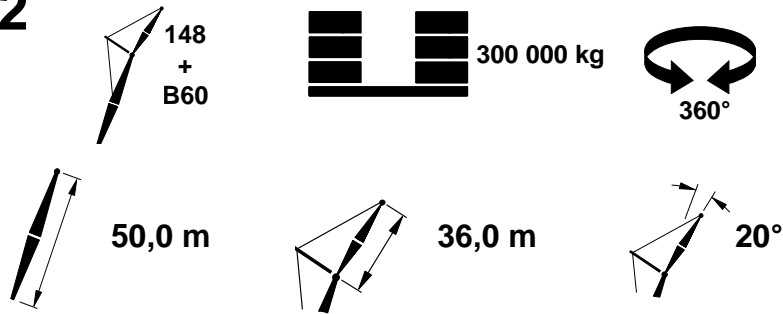
m	°	m	11,8 m			18,3 m			m
			0°	1°	2°	0°	1°	2°	
			kg	kg	kg	kg	kg	kg	
19,8									19,8
20,0									20,0
22,0									22,0
24,0									24,0
26,0	81,7	78,4	17 600b	15 600b		17 600b	15 600b		26,0
28,0	80,1	77,7	16 900	15 200	13 600b	16 900	15 200	13 600b	28,0
30,0	78,6	77,0	16 400	14 700	13 200	16 400	14 700	13 200	30,0
32,0	77,0	76,2	15 800	14 300	12 900	15 800	14 300	12 900	32,0
34,0	75,5	75,3	15 300	13 900	12 600	15 300	13 900	12 600	34,0
36,0	73,9	74,4	14 800	13 400	12 300	14 800	13 400	12 300	36,0
38,0	72,2	73,4	14 300	13 100	12 000	14 300	13 100	12 000	38,0
40,0	70,6	72,3	13 700	12 700	11 600	13 700	12 700	11 600	40,0
42,0	68,9	71,1	13 200	12 300	11 300	13 200	12 300	11 300	42,0
44,0	67,2	69,9	12 700	12 000	11 100	12 700	12 000	11 100	44,0
46,0	65,5	68,6	12 200	11 600	10 800	12 200	11 600	10 800	46,0
48,0	63,7	67,2	11 700	11 300	10 500	11 700	11 300	10 500	48,0
50,0	61,9	65,7	11 300	11 000	10 300	11 300	11 000	10 300	50,0
52,0	60,1	64,1	10 900	10 700	10 000	10 900	10 700	10 000	52,0
54,0	58,2	62,4	10 500	10 400	9 800	10 500	10 400	9 800	54,0
56,0	56,2	60,5	10 200	10 100	9 600	10 200	10 100	9 600	56,0
58,0	54,2	58,6	9 900	9 800	9 400	9 900	9 800	9 400	58,0
60,0	52,1	56,5	9 600	9 500	9 100	9 600	9 500	9 100	60,0
62,0	49,9	54,2	9 300	9 200	9 000	9 300	9 200	9 000	62,0
64,0	47,6	51,7	9 000	8 900	8 800	9 000	8 900	8 800	64,0
66,0	45,1	49,0	8 800	8 700	8 600	8 800	8 700	8 600	66,0
68,0	42,6	46,1	8 500	8 500	8 400	8 500	8 500	8 400	68,0
70,0	39,8	42,8	8 300	8 300	8 200	8 300	8 300	8 200	70,0
74,0	33,4	35,0	7 900	7 900	7 800	7 900	7 900	7 800	74,0
78,0									78,0

MLC650 VPC-MAX S-2



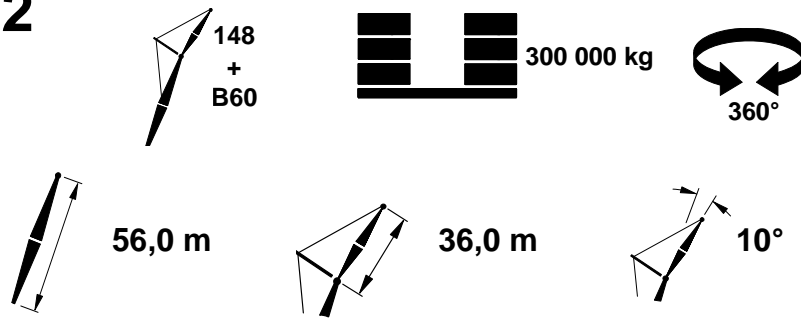
m	°	m	11,8 m			18,3 m			m
			0°	1°	2°	0°	1°	2°	
			kg	kg	kg	kg	kg	kg	
19,8	82,9	87,2	22 900			22 900			19,8
20,0	82,7	87,1	22 900			22 900			20,0
22,0	81,4	86,6	22 100	18 800		22 100	18 800		22,0
24,0	80,0	86,1	21 300	18 300	15 800	21 300	18 300	15 800	24,0
26,0	78,6	85,6	20 600	17 800	15 500	20 600	17 800	15 500	26,0
28,0	77,2	84,9	19 900	17 300	15 100	19 900	17 300	15 100	28,0
30,0	75,8	84,3	19 200	16 800	14 800	19 200	16 800	14 800	30,0
32,0	74,4	83,5	18 500	16 300	14 400	18 500	16 300	14 400	32,0
34,0	73,0	82,7	17 900	15 900	14 100	17 900	15 900	14 100	34,0
36,0	71,5	81,9	17 300	15 400	13 800	17 300	15 400	13 800	36,0
38,0	70,0	81,0	16 700	15 000	13 400	16 700	15 000	13 400	38,0
40,0	68,6	80,0	16 100	14 500	13 100	16 100	14 500	13 100	40,0
42,0	67,1	79,0	15 600	14 100	12 800	15 600	14 100	12 800	42,0
44,0	65,5	77,9	15 100	13 700	12 500	15 100	13 700	12 500	44,0
46,0	64,0	76,7	14 600	13 300	12 100	14 600	13 300	12 100	46,0
48,0	62,4	75,5	14 200	12 900	11 800	14 200	12 900	11 800	48,0
50,0	60,8	74,1	13 700	12 600	11 500	13 700	12 600	11 500	50,0
52,0	59,2	72,7	13 300	12 300	11 300	13 300	12 300	11 300	52,0
54,0	57,5	71,2	12 900	11 900	11 000	12 900	11 900	11 000	54,0
56,0	55,8	69,7	12 500	11 600	10 700	12 500	11 600	10 700	56,0
58,0	54,1	68,0	12 100	11 300	10 500	12 100	11 300	10 500	58,0
60,0	52,3	66,2	11 800	11 000	10 200	11 800	11 000	10 200	60,0
62,0	50,5	64,3	11 400	10 700	10 000	11 400	10 700	10 000	62,0
64,0	48,5	62,2	11 100	10 400	9 700	11 100	10 400	9 700	64,0
66,0	46,6	60,0	10 800	10 100	9 500	10 800	10 100	9 500	66,0
68,0	44,5	57,7	10 600	9 900	9 300	10 600	9 900	9 300	68,0
70,0	42,4	55,1	10 300	9 600	9 100	10 300	9 600	9 100	70,0
74,0	37,7	49,4	9 800	9 200	8 700	9 800	9 200	8 700	74,0
78,0	32,4	42,4	9 400	8 800	8 400	9 400	8 800	8 400	78,0
82,0	25,8	33,4	9 000	8 500	8 100	9 000	8 500	8 100	82,0

MLC650 VPC-MAX S-2



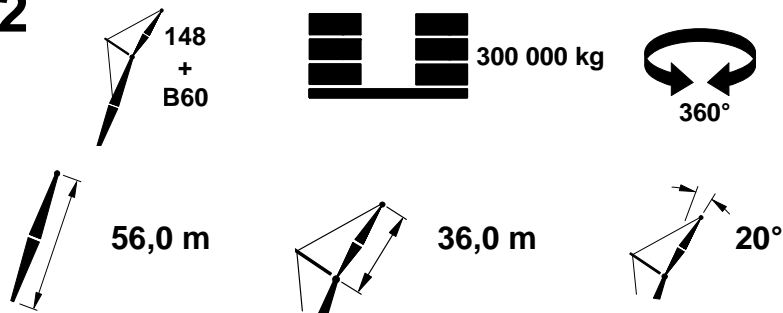
m	°	m	11,8 m			18,3 m			m
			0°	1°	2°	0°	1°	2°	
			kg	kg	kg	kg	kg	kg	
19,8									19,8
20,0									20,0
22,0									22,0
24,0									24,0
26,0	82,3	84,6	17 800			17 800			26,0
28,0	80,9	83,9	17 200	15 300		17 200	15 300		28,0
30,0	79,4	83,3	16 700	14 900	13 400	16 700	14 900	13 400	30,0
32,0	78,0	82,5	16 100	14 500	13 100	16 100	14 500	13 100	32,0
34,0	76,6	81,7	15 600	14 100	12 800	15 600	14 100	12 800	34,0
36,0	75,1	80,9	15 100	13 700	12 500	15 100	13 700	12 500	36,0
38,0	73,6	80,0	14 700	13 400	12 200	14 700	13 400	12 200	38,0
40,0	72,1	79,0	14 200	13 000	11 900	14 200	13 000	11 900	40,0
42,0	70,6	77,9	13 700	12 700	11 600	13 700	12 700	11 600	42,0
44,0	69,0	76,8	13 200	12 300	11 400	13 200	12 300	11 400	44,0
46,0	67,5	75,6	12 700	12 000	11 100	12 700	12 000	11 100	46,0
48,0	65,9	74,3	12 300	11 700	10 800	12 300	11 700	10 800	48,0
50,0	64,3	73,0	11 800	11 400	10 600	11 800	11 400	10 600	50,0
52,0	62,6	71,6	11 500	11 200	10 400	11 500	11 200	10 400	52,0
54,0	60,9	70,1	11 100	10 900	10 100	11 100	10 900	10 100	54,0
56,0	59,2	68,4	10 700	10 600	9 900	10 700	10 600	9 900	56,0
58,0	57,4	66,7	10 400	10 300	9 700	10 400	10 300	9 700	58,0
60,0	55,6	64,9	10 100	10 000	9 500	10 100	10 000	9 500	60,0
62,0	53,7	62,9	9 800	9 700	9 300	9 800	9 700	9 300	62,0
64,0	51,7	60,8	9 500	9 400	9 100	9 500	9 400	9 100	64,0
66,0	49,7	58,6	9 300	9 200	8 900	9 300	9 200	8 900	66,0
68,0	47,6	56,2	9 000	8 900	8 800	9 000	8 900	8 800	68,0
70,0	45,4	53,6	8 800	8 700	8 600	8 800	8 700	8 600	70,0
74,0	40,6	47,6	8 400	8 300	8 300	8 400	8 300	8 300	74,0
78,0	35,0	40,3	8 000	8 000	7 900	8 000	8 000	7 900	78,0
82,0	27,9	30,6	7 800	7 700	7 700	7 800	7 700	7 700	82,0

MLC650 VPC-MAX S-2



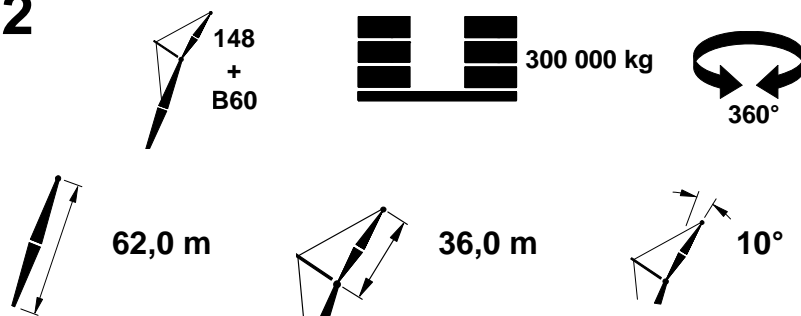
m	°	m	11,8 m			18,3 m			m
			0°	1°	2°	0°	1°	2°	
			kg	kg	kg	kg	kg	kg	
21,3	82,4	92,9	22 600			22 600			21,3
22,0	81,9	92,8	22 400			22 400			22,0
24,0	80,7	92,3	21 700	18 500		21 700	18 500		24,0
26,0	79,4	91,8	21 000	18 000	15 600	21 000	18 000	15 600	26,0
28,0	78,1	91,2	20 300	17 600	15 300	20 300	17 600	15 300	28,0
30,0	76,8	90,6	19 600	17 100	15 000	19 600	17 100	15 000	30,0
32,0	75,5	89,9	19 000	16 700	14 700	19 000	16 700	14 700	32,0
34,0	74,1	89,2	18 400	16 200	14 400	18 400	16 200	14 400	34,0
36,0	72,8	88,4	17 800	15 800	14 100	17 800	15 800	14 100	36,0
38,0	71,4	87,5	17 200	15 300	13 700	17 200	15 300	13 700	38,0
40,0	70,1	86,7	16 700	15 000	13 400	16 700	15 000	13 400	40,0
42,0	68,7	85,7	16 200	14 600	13 100	16 200	14 600	13 100	42,0
44,0	67,3	84,7	15 700	14 200	12 800	15 700	14 200	12 800	44,0
46,0	65,9	83,6	15 200	13 800	12 500	15 200	13 800	12 500	46,0
48,0	64,5	82,5	14 800	13 400	12 200	14 800	13 400	12 200	48,0
50,0	63,0	81,3	14 300	13 100	11 900	14 300	13 100	11 900	50,0
52,0	61,5	80,0	13 900	12 700	11 700	13 900	12 700	11 700	52,0
54,0	60,0	78,7	13 500	12 400	11 400	13 500	12 400	11 400	54,0
56,0	58,5	77,2	13 100	12 100	11 100	13 100	12 100	11 100	56,0
58,0	56,9	75,7	12 700	11 800	10 900	12 700	11 800	10 900	58,0
60,0	55,3	74,1	12 400	11 500	10 600	12 400	11 500	10 600	60,0
62,0	53,7	72,4	12 000	11 200	10 400	12 000	11 200	10 400	62,0
64,0	52,0	70,6	11 700	10 900	10 200	11 700	10 900	10 200	64,0
66,0	50,3	68,7	11 400	10 700	9 900	11 400	10 700	9 900	66,0
68,0	48,5	66,7	11 100	10 400	9 700	11 100	10 400	9 700	68,0
70,0	46,7	64,5	10 800	10 200	9 500	10 800	10 200	9 500	70,0
74,0	42,8	59,7	10 300	9 700	9 100	10 300	9 700	9 100	74,0
78,0	38,6	54,2	9 900	9 300	8 800	9 900	9 300	8 800	78,0
82,0	33,8	47,6	9 500	8 900	8 400	9 500	8 900	8 400	82,0
86,0	28,1	39,5	9 100	8 600	8 200	9 100	8 600	8 200	86,0

MLC650 VPC-MAX S-2



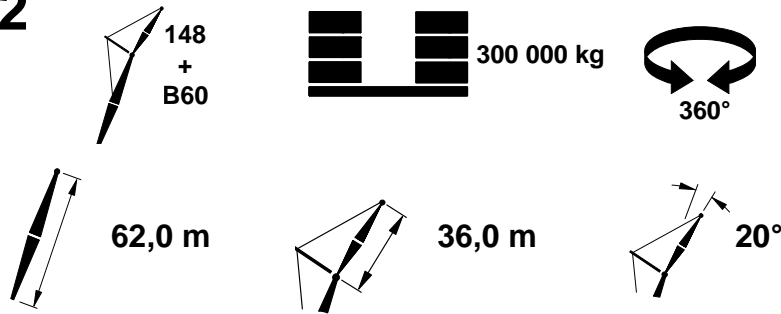
m	°	m	11,8 m			18,3 m			m
			0° kg	1° kg	2° kg	0° kg	1° kg	2° kg	
21,3									21,3
22,0									22,0
24,0									24,0
26,0	82,8	90,8	18 000			18 000			26,0
28,0	81,5	90,2	17 500	15 500		17 500	15 500		28,0
30,0	80,2	89,5	16 900	15 100	13 500	16 900	15 100	13 500	30,0
32,0	78,8	88,8	16 400	14 700	13 300	16 400	14 700	13 300	32,0
34,0	77,5	88,1	15 900	14 400	13 000	15 900	14 400	13 000	34,0
36,0	76,1	87,3	15 500	14 000	12 700	15 500	14 000	12 700	36,0
38,0	74,8	86,5	15 000	13 600	12 400	15 000	13 600	12 400	38,0
40,0	73,4	85,6	14 600	13 300	12 100	14 600	13 300	12 100	40,0
42,0	72,0	84,6	14 200	13 000	11 900	14 200	13 000	11 900	42,0
44,0	70,6	83,6	13 700	12 600	11 600	13 700	12 600	11 600	44,0
46,0	69,2	82,5	13 200	12 300	11 400	13 200	12 300	11 400	46,0
48,0	67,7	81,3	12 800	12 000	11 100	12 800	12 000	11 100	48,0
50,0	66,2	80,1	12 300	11 800	10 900	12 300	11 800	10 900	50,0
52,0	64,7	78,8	11 900	11 500	10 600	11 900	11 500	10 600	52,0
54,0	63,2	77,4	11 600	11 200	10 400	11 600	11 200	10 400	54,0
56,0	61,6	76,0	11 200	11 000	10 200	11 200	11 000	10 200	56,0
58,0	60,0	74,5	10 900	10 700	10 000	10 900	10 700	10 000	58,0
60,0	58,4	72,8	10 600	10 500	9 800	10 600	10 500	9 800	60,0
62,0	56,8	71,1	10 300	10 200	9 600	10 300	10 200	9 600	62,0
64,0	55,0	69,3	10 000	9 900	9 400	10 000	9 900	9 400	64,0
66,0	53,3	67,3	9 700	9 600	9 200	9 700	9 600	9 200	66,0
68,0	51,5	65,2	9 500	9 400	9 100	9 500	9 400	9 100	68,0
70,0	49,6	63,0	9 200	9 200	8 900	9 200	9 200	8 900	70,0
74,0	45,6	58,1	8 800	8 700	8 600	8 800	8 700	8 600	74,0
78,0	41,2	52,4	8 400	8 400	8 300	8 400	8 400	8 300	78,0
82,0	36,2	45,6	8 100	8 000	8 000	8 100	8 000	8 000	82,0
86,0	30,2	36,9	7 800	7 800	7 700	7 800	7 800	7 700	86,0

MLC650 VPC-MAX S-2



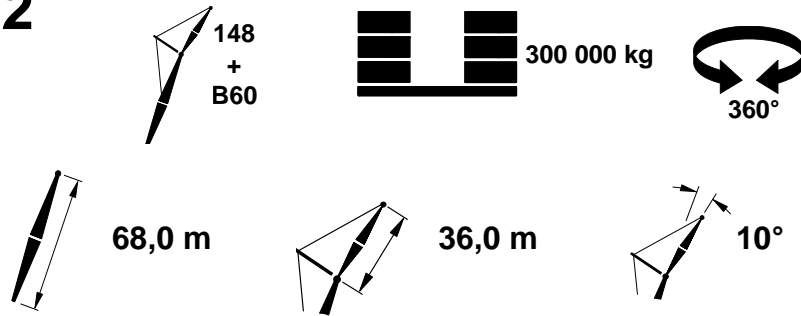
m	°	m	11,8 m			18,3 m			m
			0°	1°	2°	0°	1°	2°	
			kg	kg	kg	kg	kg	kg	
21,3	82,8	99,1	22 800			22 800			21,3
22,0	82,4	98,9	22 600			22 600			22,0
24,0	81,2	98,5	21 900	18 600		21 900	18 600		24,0
26,0	80,0	98,0	21 300	18 200	15 700	21 300	18 200	15 700	26,0
28,0	78,8	97,4	20 600	17 800	15 400	20 600	17 800	15 400	28,0
30,0	77,6	96,8	20 000	17 300	15 200	20 000	17 300	15 200	30,0
32,0	76,4	96,2	19 400	16 900	14 900	19 400	16 900	14 900	32,0
34,0	75,2	95,5	18 800	16 500	14 600	18 800	16 500	14 600	34,0
36,0	73,9	94,8	18 300	16 100	14 300	18 300	16 100	14 300	36,0
38,0	72,7	94,0	17 700	15 700	13 900	17 700	15 700	13 900	38,0
40,0	71,4	93,2	17 200	15 300	13 700	17 200	15 300	13 700	40,0
42,0	70,1	92,3	16 700	14 900	13 400	16 700	14 900	13 400	42,0
44,0	68,8	91,4	16 200	14 600	13 100	16 200	14 600	13 100	44,0
46,0	67,5	90,4	15 700	14 200	12 800	15 700	14 200	12 800	46,0
48,0	66,2	89,3	15 300	13 800	12 500	15 300	13 800	12 500	48,0
50,0	64,9	88,2	14 800	13 500	12 300	14 800	13 500	12 300	50,0
52,0	63,5	87,1	14 500	13 200	12 000	14 500	13 200	12 000	52,0
54,0	62,1	85,8	14 100	12 800	11 800	14 100	12 800	11 800	54,0
56,0	60,7	84,5	13 600	12 500	11 500	13 600	12 500	11 500	56,0
58,0	59,3	83,2	13 300	12 200	11 300	13 300	12 200	11 300	58,0
60,0	57,9	81,7	12 900	12 000	11 000	12 900	12 000	11 000	60,0
62,0	56,4	80,2	12 600	11 700	10 800	12 600	11 700	10 800	62,0
64,0	54,9	78,6	12 300	11 400	10 500	12 300	11 400	10 500	64,0
66,0	53,4	76,9	12 000	11 100	10 300	12 000	11 100	10 300	66,0
68,0	51,8	75,1	11 700	10 900	10 100	11 700	10 900	10 100	68,0
70,0	50,2	73,2	11 400	10 600	9 900	11 400	10 600	9 900	70,0
74,0	46,8	69,0	10 900	10 200	9 500	10 900	10 200	9 500	74,0
78,0	43,2	64,3	10 400	9 700	9 200	10 400	9 700	9 200	78,0
82,0	39,3	59,0	9 900	9 400	8 800	9 900	9 400	8 800	82,0
86,0	34,9	52,7	9 600	9 000	8 500	9 600	9 000	8 500	86,0
90,0	29,9	45,2	9 200	8 700	8 200	9 200	8 700	8 200	90,0
94,0	23,8	35,4	9 000	8 500	8 000	9 000	8 500	8 000	94,0

MLC650 VPC-MAX S-2



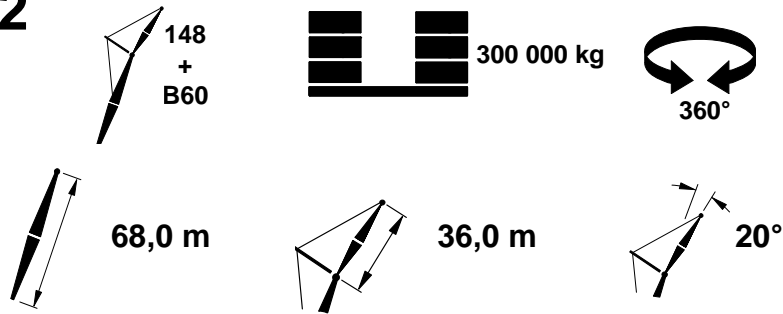
			11,8 m			18,3 m			
			0°	1°	2°	0°	1°	2°	
m	°	m	kg	kg	kg	kg	kg	kg	m
21,3									21,3
22,0									22,0
24,0									24,0
26,0									26,0
28,0	82,0	96,4	17 700			17 700			28,0
30,0	80,8	95,8	17 100	15 300		17 100	15 300		30,0
32,0	79,6	95,1	16 700	14 900	13 400	16 700	14 900	13 400	32,0
34,0	78,3	94,4	16 200	14 600	13 100	16 200	14 600	13 100	34,0
36,0	77,1	93,7	15 800	14 200	12 800	15 800	14 200	12 800	36,0
38,0	75,8	92,9	15 300	13 900	12 600	15 300	13 900	12 600	38,0
40,0	74,5	92,1	14 900	13 600	12 300	14 900	13 600	12 300	40,0
42,0	73,2	91,2	14 500	13 200	12 100	14 500	13 200	12 100	42,0
44,0	71,9	90,2	14 100	12 900	11 800	14 100	12 900	11 800	44,0
46,0	70,6	89,2	13 700	12 600	11 600	13 700	12 600	11 600	46,0
48,0	69,2	88,2	13 200	12 400	11 400	13 200	12 400	11 400	48,0
50,0	67,9	87,1	12 800	12 100	11 100	12 800	12 100	11 100	50,0
52,0	66,5	85,9	12 400	11 800	10 900	12 400	11 800	10 900	52,0
54,0	65,1	84,6	12 000	11 600	10 700	12 000	11 600	10 700	54,0
56,0	63,7	83,3	11 700	11 300	10 500	11 700	11 300	10 500	56,0
58,0	62,3	81,9	11 400	11 100	10 300	11 400	11 100	10 300	58,0
60,0	60,8	80,4	11 000	10 800	10 100	11 000	10 800	10 100	60,0
62,0	59,3	78,9	10 700	10 600	9 900	10 700	10 600	9 900	62,0
64,0	57,8	77,2	10 500	10 400	9 700	10 500	10 400	9 700	64,0
66,0	56,2	75,5	10 200	10 100	9 500	10 200	10 100	9 500	66,0
68,0	54,6	73,7	9 900	9 900	9 400	9 900	9 900	9 400	68,0
70,0	52,9	71,7	9 700	9 600	9 200	9 700	9 600	9 200	70,0
74,0	49,5	67,5	9 200	9 200	8 900	9 200	9 200	8 900	74,0
78,0	45,8	62,7	8 800	8 800	8 600	8 800	8 800	8 600	78,0
82,0	41,8	57,2	8 500	8 400	8 400	8 500	8 400	8 400	82,0
86,0	37,3	50,7	8 200	8 100	8 100	8 200	8 100	8 100	86,0
90,0	32,0	42,7	7 900	7 800	7 800	7 900	7 800	7 800	90,0
94,0									94,0

MLC650 VPC-MAX S-2



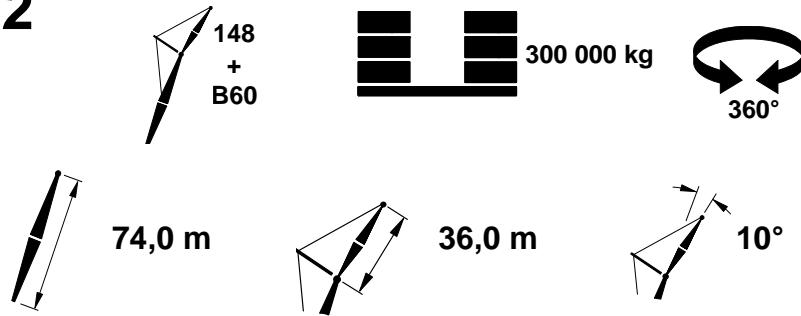
m	°	m	11,8 m			18,3 m			m
			0°	1°	2°	0°	1°	2°	
			kg	kg	kg	kg	kg	kg	
22,9	82,4	104,8	22 500			22 500			22,9
24,0	81,8	104,6	22 100			22 100			24,0
26,0	80,6	104,1	21 500	18 300	15 800	21 500	18 300	15 800	26,0
28,0	79,5	103,6	20 900	17 900	15 500	20 900	17 900	15 500	28,0
30,0	78,3	103,1	20 300	17 500	15 200	20 300	17 500	15 200	30,0
32,0	77,2	102,5	19 800	17 100	15 000	19 800	17 100	15 000	32,0
34,0	76,0	101,9	19 200	16 700	14 700	19 200	16 700	14 700	34,0
36,0	74,9	101,2	18 600	16 400	14 400	18 600	16 400	14 400	36,0
38,0	73,7	100,5	18 100	16 000	14 100	18 100	16 000	14 100	38,0
40,0	72,5	99,7	17 600	15 600	13 900	17 600	15 600	13 900	40,0
42,0	71,3	98,9	17 100	15 300	13 600	17 100	15 300	13 600	42,0
44,0	70,1	98,0	16 600	14 900	13 300	16 600	14 900	13 300	44,0
46,0	68,9	97,1	16 200	14 500	13 100	16 200	14 500	13 100	46,0
48,0	67,7	96,1	15 800	14 200	12 800	15 800	14 200	12 800	48,0
50,0	66,5	95,1	15 400	13 900	12 500	15 400	13 900	12 500	50,0
52,0	65,2	94,0	14 900	13 600	12 300	14 900	13 600	12 300	52,0
54,0	63,9	92,8	14 600	13 300	12 000	14 600	13 300	12 000	54,0
56,0	62,6	91,6	14 200	13 000	11 800	14 200	13 000	11 800	56,0
58,0	61,3	90,4	13 800	12 700	11 600	13 800	12 700	11 600	58,0
60,0	60,0	89,1	13 400	12 400	11 300	13 400	12 400	11 300	60,0
62,0	58,7	87,7	13 100	12 100	11 100	13 100	12 100	11 100	62,0
64,0	57,3	86,2	12 800	11 800	10 900	12 800	11 800	10 900	64,0
66,0	55,9	84,7	12 500	11 600	10 700	12 500	11 600	10 700	66,0
68,0	54,5	83,0	12 200	11 300	10 500	12 200	11 300	10 500	68,0
70,0	53,0	81,3	11 900	11 100	10 300	11 900	11 100	10 300	70,0
74,0	50,0	77,6	11 400	10 600	9 900	11 400	10 600	9 900	74,0
78,0	46,9	73,5	10 900	10 200	9 500	10 900	10 200	9 500	78,0
82,0	43,5	68,9	10 400	9 800	9 200	10 400	9 800	9 200	82,0
86,0	39,9	63,7	10 000	9 400	8 900	10 000	9 400	8 900	86,0
90,0	35,9	57,7	9 600	9 100	8 600	9 600	9 100	8 600	90,0
94,0	31,4	50,6	9 300	8 800	8 300	9 300	8 800	8 300	94,0
98,0	26,1	41,8	9 000	8 500	8 100	9 000	8 500	8 100	98,0
102,0	19,1	29,8	8 800	8 400	8 000	8 800	8 400	8 000	102,0

MLC650 VPC-MAX S-2



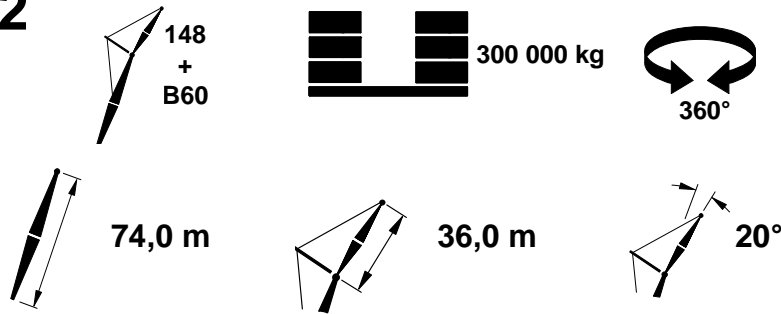
m	°	m	11,8 m			18,3 m			m
			0°	1°	2°	0°	1°	2°	
			kg	kg	kg	kg	kg	kg	
22,9									22,9
24,0									24,0
26,0									26,0
28,0	82,5	102,5	17 800			17 800			28,0
30,0	81,4	102,0	17 300	15 400		17 300	15 400		30,0
32,0	80,2	101,4	16 900	15 000	13 400	16 900	15 000	13 400	32,0
34,0	79,0	100,7	16 400	14 700	13 200	16 400	14 700	13 200	34,0
36,0	77,9	100,1	16 000	14 400	13 000	16 000	14 400	13 000	36,0
38,0	76,7	99,3	15 600	14 100	12 700	15 600	14 100	12 700	38,0
40,0	75,5	98,5	15 200	13 800	12 500	15 200	13 800	12 500	40,0
42,0	74,3	97,7	14 800	13 500	12 200	14 800	13 500	12 200	42,0
44,0	73,0	96,8	14 500	13 200	12 000	14 500	13 200	12 000	44,0
46,0	71,8	95,9	14 100	12 900	11 800	14 100	12 900	11 800	46,0
48,0	70,6	94,9	13 700	12 600	11 600	13 700	12 600	11 600	48,0
50,0	69,3	93,9	13 300	12 400	11 400	13 300	12 400	11 400	50,0
52,0	68,1	92,8	12 900	12 100	11 100	12 900	12 100	11 100	52,0
54,0	66,8	91,6	12 500	11 800	10 900	12 500	11 800	10 900	54,0
56,0	65,5	90,4	12 100	11 600	10 700	12 100	11 600	10 700	56,0
58,0	64,1	89,1	11 800	11 400	10 500	11 800	11 400	10 500	58,0
60,0	62,8	87,8	11 500	11 200	10 300	11 500	11 200	10 300	60,0
62,0	61,4	86,4	11 200	10 900	10 200	11 200	10 900	10 200	62,0
64,0	60,0	84,9	10 900	10 700	10 000	10 900	10 700	10 000	64,0
66,0	58,6	83,3	10 600	10 500	9 800	10 600	10 500	9 800	66,0
68,0	57,2	81,6	10 300	10 300	9 600	10 300	10 300	9 600	68,0
70,0	55,7	79,9	10 100	10 000	9 500	10 100	10 000	9 500	70,0
74,0	52,6	76,1	9 600	9 600	9 200	9 600	9 600	9 200	74,0
78,0	49,4	71,9	9 200	9 200	8 900	9 200	9 200	8 900	78,0
82,0	46,0	67,2	8 800	8 800	8 600	8 800	8 800	8 600	82,0
86,0	42,2	61,8	8 500	8 400	8 400	8 500	8 400	8 400	86,0
90,0	38,1	55,6	8 200	8 100	8 100	8 200	8 100	8 100	90,0
94,0	33,4	48,2	7 900	7 900	7 900	7 900	7 900	7 900	94,0
98,0									98,0
102,0									102,0

MLC650 VPC-MAX S-2



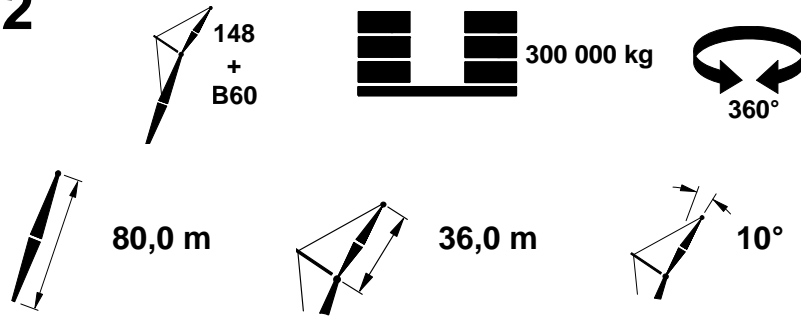
m	°	m	11,8 m			18,3 m			m
			0°	1°	2°	0°	1°	2°	
			kg	kg	kg	kg	kg	kg	
22,9	82,8	111,0	22 600			22 600			22,9
24,0	82,2	110,7	22 300			22 300			24,0
26,0	81,2	110,3	21 700	18 400		21 700	18 400		26,0
28,0	80,1	109,8	21 200	18 000	15 600	21 200	18 000	15 600	28,0
30,0	79,0	109,3	20 600	17 700	15 300	20 600	17 700	15 300	30,0
32,0	77,9	108,7	20 000	17 300	15 100	20 000	17 300	15 100	32,0
34,0	76,8	108,1	19 500	16 900	14 800	19 500	16 900	14 800	34,0
36,0	75,7	107,5	19 000	16 600	14 500	19 000	16 600	14 500	36,0
38,0	74,6	106,8	18 500	16 200	14 300	18 500	16 200	14 300	38,0
40,0	73,5	106,1	18 000	15 900	14 100	18 000	15 900	14 100	40,0
42,0	72,4	105,3	17 500	15 500	13 800	17 500	15 500	13 800	42,0
44,0	71,3	104,5	17 100	15 200	13 500	17 100	15 200	13 500	44,0
46,0	70,2	103,7	16 700	14 900	13 300	16 700	14 900	13 300	46,0
48,0	69,0	102,7	16 200	14 500	13 000	16 200	14 500	13 000	48,0
50,0	67,9	101,8	15 800	14 200	12 800	15 800	14 200	12 800	50,0
52,0	66,7	100,8	15 400	13 900	12 600	15 400	13 900	12 600	52,0
54,0	65,5	99,7	15 000	13 600	12 300	15 000	13 600	12 300	54,0
56,0	64,3	98,6	14 700	13 300	12 100	14 700	13 300	12 100	56,0
58,0	63,1	97,4	14 300	13 000	11 900	14 300	13 000	11 900	58,0
60,0	61,9	96,2	13 900	12 800	11 600	13 900	12 800	11 600	60,0
62,0	60,6	94,9	13 600	12 500	11 400	13 600	12 500	11 400	62,0
64,0	59,4	93,6	13 300	12 200	11 200	13 300	12 200	11 200	64,0
66,0	58,1	92,2	13 000	12 000	11 000	13 000	12 000	11 000	66,0
68,0	56,8	90,7	12 700	11 700	10 800	12 700	11 700	10 800	68,0
70,0	55,5	89,1	12 400	11 500	10 600	12 400	11 500	10 600	70,0
74,0	52,8	85,8	11 900	11 000	10 200	11 900	11 000	10 200	74,0
78,0	49,9	82,1	11 300	10 600	9 800	11 300	10 600	9 800	78,0
82,0	47,0	78,0	10 900	10 200	9 500	10 900	10 200	9 500	82,0
86,0	43,8	73,5	10 500	9 800	9 200	10 500	9 800	9 200	86,0
90,0	40,4	68,4	10 100	9 400	8 900	10 100	9 400	8 900	90,0
94,0	36,8	62,6	9 700	9 100	8 600	9 700	9 100	8 600	94,0
98,0	32,7	55,8	9 400	8 800	8 400	9 400	8 800	8 400	98,0
102,0	28,0	47,7	9 100	8 600	8 200	9 100	8 600	8 200	102,0
106,0	22,2	37,3	8 000	7 600	7 200	8 900	8 400	8 000	106,0

MLC650 VPC-MAX S-2



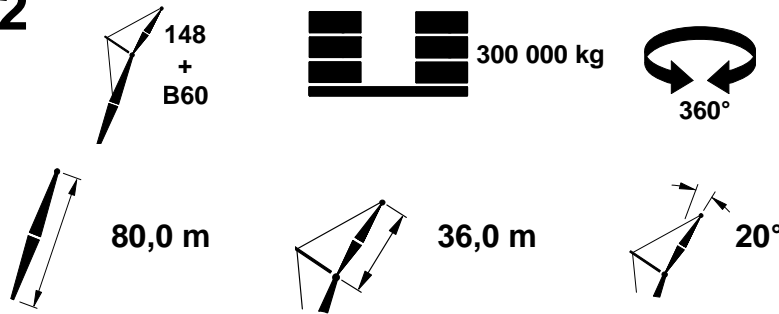
m	°	m	11,8 m			18,3 m			m
			0° kg	1° kg	2° kg	0° kg	1° kg	2° kg	
22,9									22,9
24,0									24,0
26,0									26,0
28,0									28,0
30,0	81,9	108,2	17 500			17 500			30,0
32,0	80,8	107,6	17 100	15 200	13 500	17 100	15 200	13 500	32,0
34,0	79,7	107,0	16 700	14 900	13 300	16 700	14 900	13 300	34,0
36,0	78,6	106,4	16 200	14 600	13 100	16 200	14 600	13 100	36,0
38,0	77,4	105,7	15 800	14 200	12 800	15 800	14 200	12 800	38,0
40,0	76,3	104,9	15 500	13 900	12 600	15 500	13 900	12 600	40,0
42,0	75,2	104,2	15 100	13 700	12 400	15 100	13 700	12 400	42,0
44,0	74,1	103,3	14 800	13 400	12 200	14 800	13 400	12 200	44,0
46,0	72,9	102,5	14 400	13 100	11 900	14 400	13 100	11 900	46,0
48,0	71,7	101,5	14 100	12 900	11 700	14 100	12 900	11 700	48,0
50,0	70,6	100,6	13 700	12 600	11 500	13 700	12 600	11 500	50,0
52,0	69,4	99,5	13 300	12 300	11 300	13 300	12 300	11 300	52,0
54,0	68,2	98,5	12 900	12 100	11 100	12 900	12 100	11 100	54,0
56,0	67,0	97,3	12 600	11 900	10 900	12 600	11 900	10 900	56,0
58,0	65,8	96,2	12 200	11 600	10 700	12 200	11 600	10 700	58,0
60,0	64,5	94,9	11 900	11 400	10 600	11 900	11 400	10 600	60,0
62,0	63,3	93,6	11 600	11 200	10 400	11 600	11 200	10 400	62,0
64,0	62,0	92,2	11 300	11 000	10 200	11 300	11 000	10 200	64,0
66,0	60,7	90,8	11 000	10 800	10 100	11 000	10 800	10 100	66,0
68,0	59,4	89,3	10 800	10 600	9 900	10 800	10 600	9 900	68,0
70,0	58,0	87,7	10 500	10 400	9 700	10 500	10 400	9 700	70,0
74,0	55,3	84,3	10 000	10 000	9 400	10 000	10 000	9 400	74,0
78,0	52,4	80,6	9 600	9 500	9 100	9 600	9 500	9 100	78,0
82,0	49,3	76,4	9 200	9 200	8 900	9 200	9 200	8 900	82,0
86,0	46,1	71,7	8 900	8 800	8 600	8 900	8 800	8 600	86,0
90,0	42,6	66,5	8 500	8 500	8 400	8 500	8 500	8 400	90,0
94,0	38,9	60,5	8 300	8 200	8 100	8 300	8 200	8 100	94,0
98,0	34,6	53,5	8 000	7 900	7 900	8 000	7 900	7 900	98,0
102,0	29,6	45,0	7 800	7 800	7 700	7 800	7 800	7 700	102,0
106,0									106,0

MLC650 VPC-MAX S-2



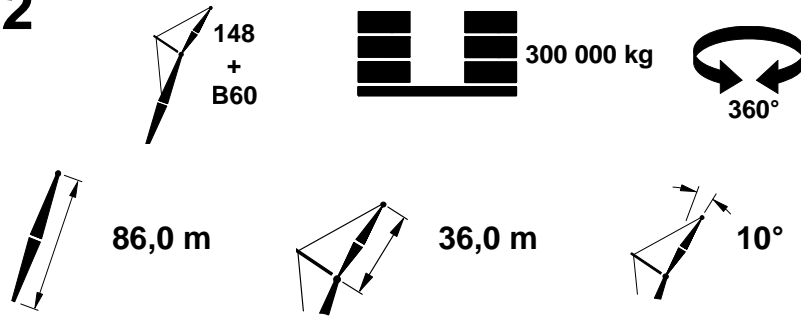
m	°	m	11,8 m			18,3 m			m
			0°	1°	2°	0°	1°	2°	
			kg	kg	kg	kg	kg	kg	
24,4	82,4	116,8	22 300			22 300			24,4
26,0	81,6	116,4	21 900	18 400		21 900	18 400		26,0
28,0	80,6	116,0	21 400	18 100	15 600	21 400	18 100	15 600	28,0
30,0	79,6	115,5	20 800	17 800	15 400	20 800	17 800	15 400	30,0
32,0	78,6	115,0	20 300	17 400	15 100	20 300	17 400	15 100	32,0
34,0	77,5	114,4	19 800	17 100	14 900	19 800	17 100	14 900	34,0
36,0	76,5	113,8	19 300	16 700	14 700	19 300	16 700	14 700	36,0
38,0	75,5	113,2	18 800	16 400	14 400	18 800	16 400	14 400	38,0
40,0	74,4	112,5	18 400	16 100	14 200	18 400	16 100	14 200	40,0
42,0	73,4	111,7	17 900	15 800	13 900	17 900	15 800	13 900	42,0
44,0	72,3	111,0	17 500	15 500	13 700	17 500	15 500	13 700	44,0
46,0	71,3	110,2	17 000	15 100	13 500	17 000	15 100	13 500	46,0
48,0	70,2	109,3	16 600	14 800	13 300	16 600	14 800	13 300	48,0
50,0	69,1	108,4	16 200	14 500	13 000	16 200	14 500	13 000	50,0
52,0	68,0	107,5	15 800	14 200	12 800	15 800	14 200	12 800	52,0
54,0	66,9	106,5	15 500	13 900	12 600	15 500	13 900	12 600	54,0
56,0	65,8	105,4	15 100	13 700	12 400	15 100	13 700	12 400	56,0
58,0	64,7	104,4	14 800	13 400	12 100	14 800	13 400	12 100	58,0
60,0	63,5	103,2	14 400	13 100	11 900	14 400	13 100	11 900	60,0
62,0	62,4	102,0	14 100	12 800	11 700	14 100	12 800	11 700	62,0
64,0	61,2	100,8	13 800	12 600	11 500	13 800	12 600	11 500	64,0
66,0	60,0	99,5	13 400	12 300	11 300	13 400	12 300	11 300	66,0
68,0	58,8	98,1	13 100	12 100	11 100	13 100	12 100	11 100	68,0
70,0	57,6	96,7	12 900	11 900	10 900	12 900	11 900	10 900	70,0
74,0	55,1	93,6	12 300	11 400	10 500	12 300	11 400	10 500	74,0
78,0	52,5	90,2	11 800	11 000	10 200	11 800	11 000	10 200	78,0
82,0	49,8	86,6	11 300	10 600	9 800	11 300	10 600	9 800	82,0
86,0	47,0	82,5	10 900	10 200	9 500	10 900	10 200	9 500	86,0
90,0	44,1	78,0	10 500	9 800	9 200	10 500	9 800	9 200	90,0
94,0	40,9	73,0	10 100	9 500	8 900	10 100	9 500	8 900	94,0
98,0	37,5	67,4	9 800	9 200	8 700	9 800	9 200	8 700	98,0
102,0	33,7	60,9	9 000	8 400	7 800	9 500	8 900	8 400	102,0
106,0	29,5	53,4	6 900	6 400	5 900	9 200	8 700	8 200	106,0
110,0	24,5	44,0	4 800	4 400	4 000	9 000	8 500	8 000	110,0

MLC650 VPC-MAX S-2



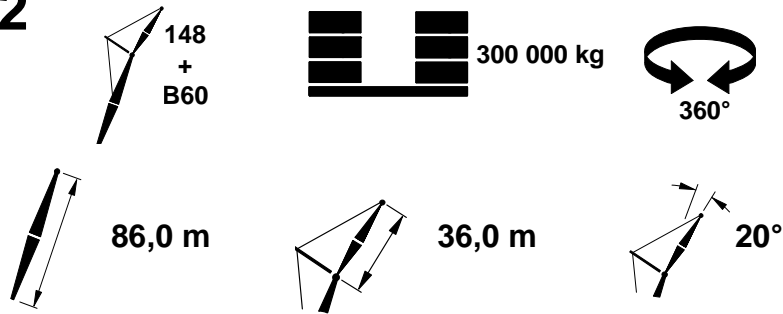
m	°	m	11,8 m			18,3 m			m
			0° kg	1° kg	2° kg	0° kg	1° kg	2° kg	
24,4									24,4
26,0									26,0
28,0									28,0
30,0	82,3	114,3	17 600			17 600			30,0
32,0	81,3	113,8	17 200	15 200		17 200	15 200		32,0
34,0	80,2	113,2	16 800	15 000	13 300	16 800	15 000	13 300	34,0
36,0	79,2	112,6	16 400	14 700	13 100	16 400	14 700	13 100	36,0
38,0	78,1	112,0	16 100	14 400	12 900	16 100	14 400	12 900	38,0
40,0	77,1	111,3	15 700	14 100	12 700	15 700	14 100	12 700	40,0
42,0	76,0	110,5	15 400	13 800	12 500	15 400	13 800	12 500	42,0
44,0	74,9	109,8	15 000	13 600	12 300	15 000	13 600	12 300	44,0
46,0	73,9	109,0	14 700	13 300	12 100	14 700	13 300	12 100	46,0
48,0	72,8	108,1	14 400	13 100	11 900	14 400	13 100	11 900	48,0
50,0	71,7	107,2	14 000	12 800	11 700	14 000	12 800	11 700	50,0
52,0	70,6	106,2	13 700	12 600	11 500	13 700	12 600	11 500	52,0
54,0	69,5	105,2	13 300	12 300	11 300	13 300	12 300	11 300	54,0
56,0	68,3	104,2	13 000	12 100	11 100	13 000	12 100	11 100	56,0
58,0	67,2	103,1	12 600	11 900	10 900	12 600	11 900	10 900	58,0
60,0	66,0	101,9	12 300	11 700	10 800	12 300	11 700	10 800	60,0
62,0	64,9	100,7	12 000	11 500	10 600	12 000	11 500	10 600	62,0
64,0	63,7	99,4	11 700	11 300	10 400	11 700	11 300	10 400	64,0
66,0	62,5	98,1	11 400	11 100	10 300	11 400	11 100	10 300	66,0
68,0	61,3	96,7	11 200	10 900	10 100	11 200	10 900	10 100	68,0
70,0	60,0	95,3	10 900	10 700	10 000	10 900	10 700	10 000	70,0
74,0	57,5	92,2	10 400	10 300	9 600	10 400	10 300	9 600	74,0
78,0	54,9	88,7	10 000	9 900	9 400	10 000	9 900	9 400	78,0
82,0	52,2	85,0	9 600	9 500	9 100	9 600	9 500	9 100	82,0
86,0	49,3	80,9	9 200	9 100	8 900	9 200	9 100	8 900	86,0
90,0	46,2	76,3	8 900	8 800	8 600	8 900	8 800	8 600	90,0
94,0	43,0	71,1	8 600	8 500	8 400	8 600	8 500	8 400	94,0
98,0	39,5	65,3	8 300	8 200	8 200	8 300	8 200	8 200	98,0
102,0	35,6	58,7	8 100	8 000	7 900	8 100	8 000	7 900	102,0
106,0	31,1	50,7	7 500	7 000	6 500	7 900	7 800	7 800	106,0
110,0									110,0

MLC650 VPC-MAX S-2



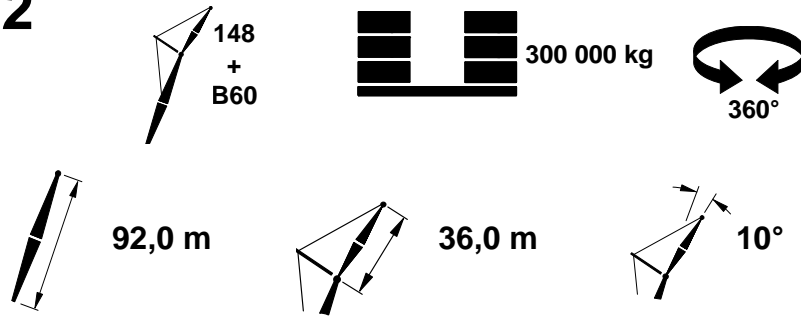
m	°	m	11,8 m			18,3 m			m
			0°	1°	2°	0°	1°	2°	
			kg	kg	kg	kg	kg	kg	
24,4	82,8	122,9	22 400			22 400			24,4
26,0	82,0	122,6	22 000			22 000			26,0
28,0	81,1	122,1	21 500	18 200		21 500	18 200		28,0
30,0	80,1	121,7	21 000	17 900	15 400	21 000	17 900	15 400	30,0
32,0	79,1	121,2	20 500	17 500	15 100	20 500	17 500	15 100	32,0
34,0	78,2	120,6	20 100	17 200	14 900	20 100	17 200	14 900	34,0
36,0	77,2	120,1	19 600	16 900	14 700	19 600	16 900	14 700	36,0
38,0	76,2	119,4	19 100	16 600	14 500	19 100	16 600	14 500	38,0
40,0	75,2	118,8	18 700	16 300	14 300	18 700	16 300	14 300	40,0
42,0	74,2	118,1	18 300	16 000	14 100	18 300	16 000	14 100	42,0
44,0	73,2	117,4	17 800	15 700	13 800	17 800	15 700	13 800	44,0
46,0	72,2	116,6	17 400	15 400	13 600	17 400	15 400	13 600	46,0
48,0	71,2	115,8	17 000	15 100	13 400	17 000	15 100	13 400	48,0
50,0	70,2	115,0	16 600	14 800	13 200	16 600	14 800	13 200	50,0
52,0	69,2	114,1	16 200	14 500	13 000	16 200	14 500	13 000	52,0
54,0	68,1	113,2	15 900	14 200	12 700	15 900	14 200	12 700	54,0
56,0	67,1	112,2	15 500	13 900	12 500	15 500	13 900	12 500	56,0
58,0	66,0	111,2	15 200	13 700	12 300	15 200	13 700	12 300	58,0
60,0	65,0	110,1	14 900	13 400	12 100	14 900	13 400	12 100	60,0
62,0	63,9	109,0	14 500	13 200	11 900	14 500	13 200	11 900	62,0
64,0	62,8	107,8	14 200	12 900	11 700	14 200	12 900	11 700	64,0
66,0	61,7	106,6	13 900	12 700	11 500	13 900	12 700	11 500	66,0
68,0	60,6	105,3	13 600	12 400	11 400	13 600	12 400	11 400	68,0
70,0	59,5	104,0	13 300	12 200	11 200	13 300	12 200	11 200	70,0
74,0	57,1	101,2	12 700	11 700	10 800	12 700	11 700	10 800	74,0
78,0	54,8	98,1	12 200	11 300	10 400	12 200	11 300	10 400	78,0
82,0	52,3	94,7	11 800	10 900	10 100	11 800	10 900	10 100	82,0
86,0	49,8	91,0	11 300	10 500	9 800	11 300	10 500	9 800	86,0
90,0	47,1	87,0	10 900	10 200	9 500	10 900	10 200	9 500	90,0
94,0	44,3	82,6	10 500	9 900	9 200	10 500	9 900	9 200	94,0
98,0	41,3	77,7	10 200	9 500	9 000	10 200	9 500	9 000	98,0
102,0	38,1	72,2	9 600	8 900	8 200	9 800	9 200	8 700	102,0
106,0	34,7	66,0	7 400	6 700	6 100	9 500	9 000	8 500	106,0
110,0	30,8	58,8	5 300	4 700	4 200	9 300	8 700	8 300	110,0
114,0	26,3	50,2	3 300			9 000	8 500	8 100	114,0
118,0	20,8	39,1				8 800	8 400	8 000	118,0

MLC650 VPC-MAX S-2



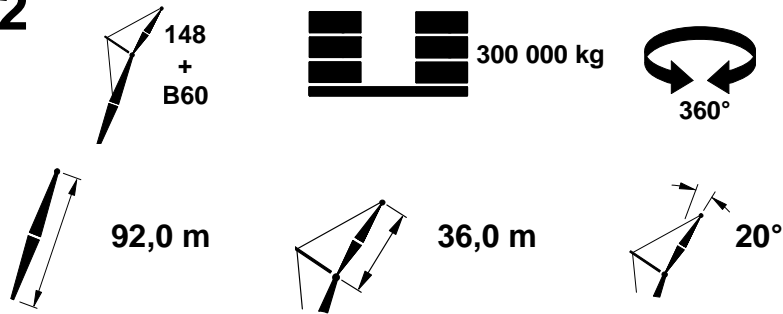
m	°	m	11,8 m			18,3 m			m
			0° kg	1° kg	2° kg	0° kg	1° kg	2° kg	
24,4									24,4
26,0									26,0
28,0									28,0
30,0									30,0
32,0	81,7	120,0	17 400	15 300		17 400	15 300		32,0
34,0	80,7	119,4	17 000	15 100	13 400	17 000	15 100	13 400	34,0
36,0	79,7	118,9	16 600	14 800	13 200	16 600	14 800	13 200	36,0
38,0	78,7	118,2	16 300	14 500	13 000	16 300	14 500	13 000	38,0
40,0	77,7	117,6	15 900	14 300	12 800	15 900	14 300	12 800	40,0
42,0	76,7	116,9	15 600	14 000	12 600	15 600	14 000	12 600	42,0
44,0	75,7	116,2	15 200	13 700	12 400	15 200	13 700	12 400	44,0
46,0	74,7	115,4	14 900	13 500	12 200	14 900	13 500	12 200	46,0
48,0	73,7	114,6	14 600	13 300	12 000	14 600	13 300	12 000	48,0
50,0	72,7	113,7	14 300	13 000	11 800	14 300	13 000	11 800	50,0
52,0	71,6	112,8	14 000	12 800	11 600	14 000	12 800	11 600	52,0
54,0	70,6	111,9	13 700	12 600	11 500	13 700	12 600	11 500	54,0
56,0	69,5	110,9	13 300	12 300	11 300	13 300	12 300	11 300	56,0
58,0	68,4	109,9	13 000	12 100	11 100	13 000	12 100	11 100	58,0
60,0	67,4	108,8	12 700	11 900	10 900	12 700	11 900	10 900	60,0
62,0	66,3	107,7	12 400	11 700	10 800	12 400	11 700	10 800	62,0
64,0	65,2	106,5	12 100	11 500	10 600	12 100	11 500	10 600	64,0
66,0	64,1	105,2	11 800	11 300	10 400	11 800	11 300	10 400	66,0
68,0	62,9	103,9	11 500	11 100	10 300	11 500	11 100	10 300	68,0
70,0	61,8	102,6	11 300	11 000	10 100	11 300	11 000	10 100	70,0
74,0	59,4	99,7	10 800	10 600	9 900	10 800	10 600	9 900	74,0
78,0	57,0	96,6	10 300	10 300	9 600	10 300	10 300	9 600	78,0
82,0	54,5	93,2	9 900	9 900	9 300	9 900	9 900	9 300	82,0
86,0	51,9	89,4	9 600	9 500	9 100	9 600	9 500	9 100	86,0
90,0	49,2	85,3	9 200	9 200	8 900	9 200	9 200	8 900	90,0
94,0	46,4	80,8	8 900	8 800	8 600	8 900	8 800	8 600	94,0
98,0	43,3	75,8	8 600	8 500	8 400	8 600	8 500	8 400	98,0
102,0	40,0	70,1	8 400	8 300	8 200	8 400	8 300	8 200	102,0
106,0	36,4	63,7	8 000	7 600	6 900	8 100	8 100	8 000	106,0
110,0	32,4	56,2	6 000	5 400	4 800	7 900	7 900	7 800	110,0
114,0	27,7	47,1	3 700	3 300		7 700	7 700	7 600	114,0
118,0									118,0

MLC650 VPC-MAX S-2



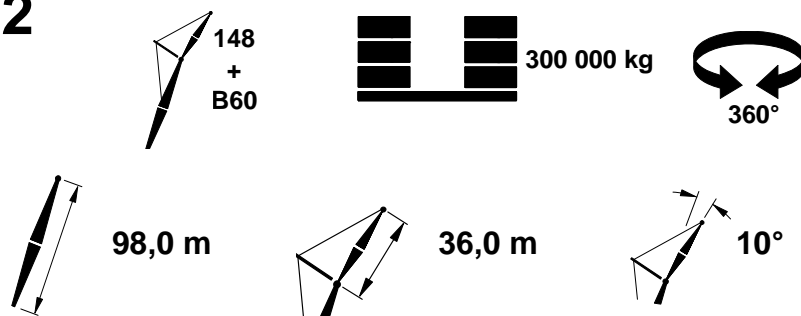
m	°	m	11,8 m			18,3 m			m
			0°	1°	2°	0°	1°	2°	
			kg	kg	kg	kg	kg	kg	
25,9	82,5	128,7	22 100			22 100			25,9
26,0	82,4	128,6	22 100			22 100			26,0
28,0	81,5	128,2	21 700	18 200		21 700	18 200		28,0
30,0	80,6	127,8	21 200	17 900		21 200	17 900		30,0
32,0	79,7	127,3	20 700	17 600	15 200	20 700	17 600	15 200	32,0
34,0	78,7	126,8	20 300	17 300	15 000	20 300	17 300	15 000	34,0
36,0	77,8	126,3	19 800	17 000	14 800	19 800	17 000	14 800	36,0
38,0	76,9	125,7	19 400	16 700	14 500	19 400	16 700	14 500	38,0
40,0	75,9	125,1	19 000	16 400	14 400	19 000	16 400	14 400	40,0
42,0	75,0	124,4	18 500	16 100	14 200	18 500	16 100	14 200	42,0
44,0	74,1	123,7	18 100	15 900	13 900	18 100	15 900	13 900	44,0
46,0	73,1	123,0	17 700	15 600	13 700	17 700	15 600	13 700	46,0
48,0	72,1	122,3	17 400	15 300	13 500	17 400	15 300	13 500	48,0
50,0	71,2	121,5	17 000	15 000	13 300	17 000	15 000	13 300	50,0
52,0	70,2	120,6	16 600	14 800	13 100	16 600	14 800	13 100	52,0
54,0	69,2	119,7	16 200	14 500	12 900	16 200	14 500	12 900	54,0
56,0	68,2	118,8	15 900	14 200	12 700	15 900	14 200	12 700	56,0
58,0	67,2	117,8	15 600	14 000	12 500	15 600	14 000	12 500	58,0
60,0	66,2	116,8	15 200	13 700	12 300	15 200	13 700	12 300	60,0
62,0	65,2	115,8	14 900	13 400	12 200	14 900	13 400	12 200	62,0
64,0	64,2	114,7	14 600	13 200	11 900	14 600	13 200	11 900	64,0
66,0	63,2	113,6	14 300	13 000	11 800	14 300	13 000	11 800	66,0
68,0	62,1	112,4	14 000	12 700	11 600	14 000	12 700	11 600	68,0
70,0	61,1	111,1	13 700	12 500	11 400	13 700	12 500	11 400	70,0
74,0	58,9	108,5	13 200	12 100	11 000	13 200	12 100	11 000	74,0
78,0	56,7	105,6	12 700	11 600	10 700	12 700	11 600	10 700	78,0
82,0	54,5	102,5	12 200	11 300	10 400	12 200	11 300	10 400	82,0
86,0	52,1	99,1	11 700	10 900	10 100	11 700	10 900	10 100	86,0
90,0	49,7	95,4	11 300	10 500	9 800	11 300	10 500	9 800	90,0
94,0	47,1	91,4	10 900	10 200	9 500	10 900	10 200	9 500	94,0
98,0	44,5	87,1	10 400	9 700	8 800	10 500	9 900	9 200	98,0
102,0	41,7	82,2	8 300	7 500	6 700	10 200	9 600	9 000	102,0
106,0	38,7	76,9	6 100	5 300	4 600	9 900	9 300	8 700	106,0
110,0	35,4	70,8	4 000			9 600	9 000	8 500	110,0
114,0	31,9	64,0				9 300	8 800	8 300	114,0
118,0	27,8	55,9				9 100	8 600	8 100	118,0
122,0	23,0	46,0				8 900	8 400	8 000	122,0

MLC650 VPC-MAX S-2



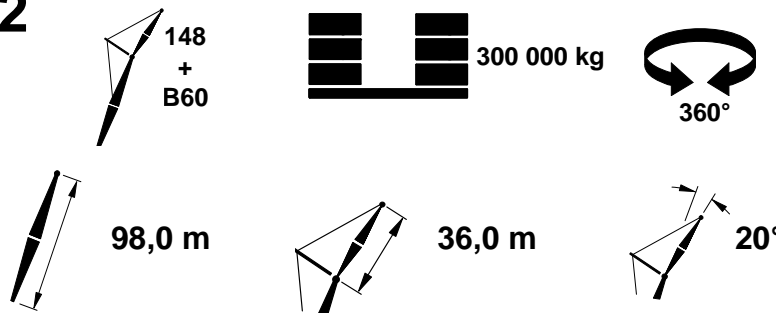
m	°	m	11,8 m			18,3 m			m
			0° kg	1° kg	2° kg	0° kg	1° kg	2° kg	
25,9									25,9
26,0									26,0
28,0									28,0
30,0									30,0
32,0	82,1	126,1	17 500			17 500			32,0
34,0	81,2	125,6	17 100	15 100		17 100	15 100		34,0
36,0	80,2	125,0	16 800	14 900	13 200	16 800	14 900	13 200	36,0
38,0	79,3	124,5	16 400	14 600	13 000	16 400	14 600	13 000	38,0
40,0	78,4	123,8	16 100	14 400	12 800	16 100	14 400	12 800	40,0
42,0	77,4	123,2	15 800	14 100	12 700	15 800	14 100	12 700	42,0
44,0	76,4	122,5	15 400	13 900	12 500	15 400	13 900	12 500	44,0
46,0	75,5	121,8	15 200	13 600	12 300	15 200	13 600	12 300	46,0
48,0	74,5	121,0	14 900	13 400	12 100	14 900	13 400	12 100	48,0
50,0	73,5	120,2	14 600	13 200	11 900	14 600	13 200	11 900	50,0
52,0	72,6	119,3	14 300	13 000	11 800	14 300	13 000	11 800	52,0
54,0	71,6	118,4	14 000	12 700	11 600	14 000	12 700	11 600	54,0
56,0	70,6	117,5	13 700	12 500	11 400	13 700	12 500	11 400	56,0
58,0	69,6	116,5	13 400	12 300	11 300	13 400	12 300	11 300	58,0
60,0	68,5	115,5	13 000	12 100	11 100	13 000	12 100	11 100	60,0
62,0	67,5	114,5	12 700	11 900	10 900	12 700	11 900	10 900	62,0
64,0	66,5	113,3	12 400	11 700	10 800	12 400	11 700	10 800	64,0
66,0	65,4	112,2	12 100	11 500	10 600	12 100	11 500	10 600	66,0
68,0	64,4	111,0	11 900	11 300	10 500	11 900	11 300	10 500	68,0
70,0	63,3	109,7	11 600	11 200	10 300	11 600	11 200	10 300	70,0
74,0	61,1	107,0	11 100	10 800	10 000	11 100	10 800	10 000	74,0
78,0	58,9	104,1	10 700	10 500	9 800	10 700	10 500	9 800	78,0
82,0	56,6	101,0	10 300	10 200	9 500	10 300	10 200	9 500	82,0
86,0	54,2	97,6	9 900	9 800	9 300	9 900	9 800	9 300	86,0
90,0	51,7	93,8	9 500	9 500	9 000	9 500	9 500	9 000	90,0
94,0	49,2	89,7	9 200	9 200	8 800	9 200	9 200	8 800	94,0
98,0	46,4	85,3	8 900	8 900	8 600	8 900	8 900	8 600	98,0
102,0	43,6	80,3	8 700	8 600	7 800	8 700	8 600	8 500	102,0
106,0	40,5	74,8	7 100	6 400	5 600	8 400	8 300	8 300	106,0
110,0	37,1	68,6	4 900	4 200	3 600	8 200	8 100	8 100	110,0
114,0	33,4	61,5				8 000	7 900	7 900	114,0
118,0	29,2	53,0				7 800	7 700	7 700	118,0
122,0									122,0

MLC650 VPC-MAX S-2



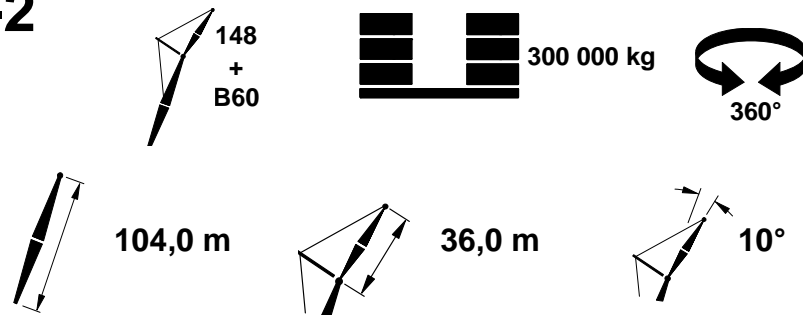
m	°	m	11,8 m			18,3 m			m
			0°	1°	2°	0°	1°	2°	
			kg	kg	kg	kg	kg	kg	
25,9	82,8	134,8	22 200			22 200			25,9
26,0	82,8	134,7	22 200			22 200			26,0
28,0	81,9	134,3	21 700			21 700			28,0
30,0	81,0	133,9	21 300	17 900		21 300	17 900		30,0
32,0	80,1	133,5	20 900	17 600	15 100	20 900	17 600	15 100	32,0
34,0	79,3	133,0	20 500	17 400	14 900	20 500	17 400	14 900	34,0
36,0	78,4	132,5	20 000	17 100	14 800	20 000	17 100	14 800	36,0
38,0	77,5	131,9	19 600	16 800	14 600	19 600	16 800	14 600	38,0
40,0	76,6	131,3	19 200	16 500	14 400	19 200	16 500	14 400	40,0
42,0	75,7	130,7	18 800	16 300	14 200	18 800	16 300	14 200	42,0
44,0	74,8	130,1	18 400	16 000	14 000	18 400	16 000	14 000	44,0
46,0	73,9	129,4	18 000	15 700	13 800	18 000	15 700	13 800	46,0
48,0	73,0	128,7	17 700	15 500	13 600	17 700	15 500	13 600	48,0
50,0	72,1	127,9	17 300	15 200	13 500	17 300	15 200	13 500	50,0
52,0	71,1	127,1	16 900	14 900	13 200	16 900	14 900	13 200	52,0
54,0	70,2	126,3	16 600	14 700	13 100	16 600	14 700	13 100	54,0
56,0	69,3	125,4	16 200	14 400	12 900	16 200	14 400	12 900	56,0
58,0	68,3	124,5	15 900	14 200	12 700	15 900	14 200	12 700	58,0
60,0	67,4	123,5	15 600	13 900	12 500	15 600	13 900	12 500	60,0
62,0	66,4	122,6	15 300	13 700	12 300	15 300	13 700	12 300	62,0
64,0	65,5	121,5	15 000	13 500	12 100	15 000	13 500	12 100	64,0
66,0	64,5	120,4	14 700	13 200	12 000	14 700	13 200	12 000	66,0
68,0	63,5	119,3	14 400	13 000	11 800	14 400	13 000	11 800	68,0
70,0	62,5	118,2	14 100	12 800	11 600	14 100	12 800	11 600	70,0
74,0	60,5	115,7	13 600	12 400	11 300	13 600	12 400	11 300	74,0
78,0	58,5	113,0	13 100	11 900	10 900	13 100	11 900	10 900	78,0
82,0	56,3	110,1	12 600	11 600	10 600	12 600	11 600	10 600	82,0
86,0	54,2	107,0	12 100	11 200	10 300	12 100	11 200	10 300	86,0
90,0	51,9	103,6	11 700	10 800	10 000	11 700	10 800	10 000	90,0
94,0	49,6	99,9	11 000	9 900	8 800	11 300	10 500	9 700	94,0
98,0	47,2	95,9	8 500	7 500	6 500	10 900	10 200	9 500	98,0
102,0	44,7	91,6	6 200	5 200	4 300	10 600	9 900	9 200	102,0
106,0	42,0	86,8	3 900			10 200	9 600	9 000	106,0
110,0	39,2	81,6				9 900	9 300	8 700	110,0
114,0	36,1	75,7				9 700	9 100	8 600	114,0
118,0	32,8	69,1				9 400	8 900	8 400	118,0
122,0	29,2	61,5				9 200	8 600	8 200	122,0
126,0	24,9	52,4				9 000	8 500	8 000	126,0
130,0	19,6	40,8				8 800	8 400	7 900	130,0

MLC650 VPC-MAX S-2



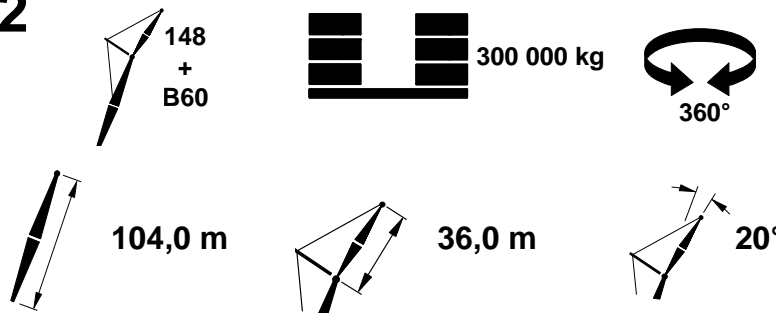
m	°	m	11,8 m			18,3 m			m
			0° kg	1° kg	2° kg	0° kg	1° kg	2° kg	
25,9									25,9
26,0									26,0
28,0									28,0
30,0									30,0
32,0	82,5	132,3	17 600			17 600			32,0
34,0	81,6	131,8	17 200	15 200		17 200	15 200		34,0
36,0	80,7	131,2	16 900	14 900		16 900	14 900		36,0
38,0	79,8	130,7	16 600	14 700	13 000	16 600	14 700	13 000	38,0
40,0	78,9	130,1	16 200	14 400	12 900	16 200	14 400	12 900	40,0
42,0	78,0	129,5	15 900	14 200	12 700	15 900	14 200	12 700	42,0
44,0	77,1	128,8	15 600	14 000	12 500	15 600	14 000	12 500	44,0
46,0	76,2	128,1	15 300	13 800	12 400	15 300	13 800	12 400	46,0
48,0	75,3	127,4	15 100	13 500	12 200	15 100	13 500	12 200	48,0
50,0	74,3	126,6	14 800	13 300	12 000	14 800	13 300	12 000	50,0
52,0	73,4	125,8	14 500	13 100	11 900	14 500	13 100	11 900	52,0
54,0	72,5	125,0	14 200	12 900	11 700	14 200	12 900	11 700	54,0
56,0	71,5	124,1	14 000	12 700	11 500	14 000	12 700	11 500	56,0
58,0	70,6	123,2	13 700	12 500	11 400	13 700	12 500	11 400	58,0
60,0	69,6	122,2	13 400	12 300	11 200	13 400	12 300	11 200	60,0
62,0	68,6	121,2	13 100	12 100	11 100	13 100	12 100	11 100	62,0
64,0	67,7	120,2	12 800	11 900	10 900	12 800	11 900	10 900	64,0
66,0	66,7	119,1	12 500	11 700	10 800	12 500	11 700	10 800	66,0
68,0	65,7	117,9	12 200	11 600	10 600	12 200	11 600	10 600	68,0
70,0	64,7	116,8	12 000	11 400	10 500	12 000	11 400	10 500	70,0
74,0	62,6	114,3	11 500	11 000	10 200	11 500	11 000	10 200	74,0
78,0	60,6	111,5	11 000	10 800	9 900	11 000	10 800	9 900	78,0
82,0	58,4	108,6	10 600	10 400	9 700	10 600	10 400	9 700	82,0
86,0	56,2	105,4	10 200	10 100	9 400	10 200	10 100	9 400	86,0
90,0	53,9	102,0	9 900	9 800	9 200	9 900	9 800	9 200	90,0
94,0	51,6	98,3	9 500	9 500	9 000	9 500	9 500	9 000	94,0
98,0	49,1	94,2	9 200	8 900	8 000	9 200	9 100	8 800	98,0
102,0	46,5	89,8	7 600	6 600	5 700	8 900	8 900	8 600	102,0
106,0	43,8	84,9	5 200	4 300		8 700	8 600	8 500	106,0
110,0	40,9	79,5				8 400	8 400	8 300	110,0
114,0	37,8	73,5				8 200	8 200	8 100	114,0
118,0	34,4	66,7				8 000	8 000	7 900	118,0
122,0	30,5	58,7				7 800	7 800	7 700	122,0
126,0									126,0
130,0									130,0

MLC650 VPC-MAX S-2



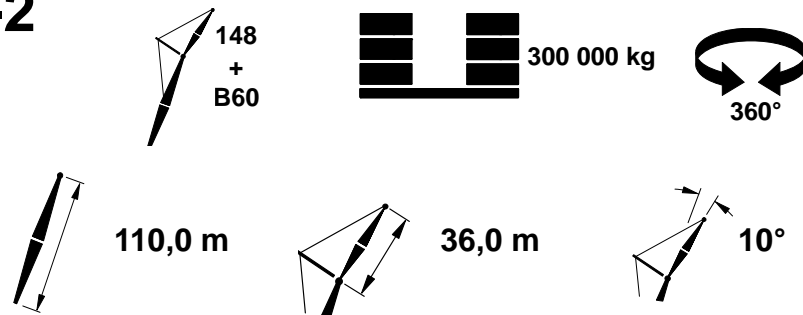
m	°	m	11,8 m			18,3 m			m
			0°	1°	2°	0°	1°	2°	
			kg	kg	kg	kg	kg	kg	
27,4	82,5	140,6	21 900			21 900			27,4
28,0	82,2	140,5	21 800			21 800			28,0
30,0	81,4	140,1	21 400	17 900		21 400	17 900		30,0
32,0	80,6	139,6	21 000	17 600	15 100	21 000	17 600	15 100	32,0
34,0	79,7	139,2	20 600	17 400	14 900	20 600	17 400	14 900	34,0
36,0	78,9	138,7	20 200	17 100	14 700	20 200	17 100	14 700	36,0
38,0	78,0	138,1	19 800	16 900	14 600	19 800	16 900	14 600	38,0
40,0	77,2	137,6	19 400	16 600	14 400	19 400	16 600	14 400	40,0
42,0	76,3	137,0	19 000	16 400	14 200	19 000	16 400	14 200	42,0
44,0	75,5	136,4	18 600	16 100	14 000	18 600	16 100	14 000	44,0
46,0	74,6	135,7	18 300	15 900	13 900	18 300	15 900	13 900	46,0
48,0	73,8	135,0	17 900	15 600	13 700	17 900	15 600	13 700	48,0
50,0	72,9	134,3	17 600	15 300	13 500	17 600	15 300	13 500	50,0
52,0	72,0	133,6	17 200	15 100	13 300	17 200	15 100	13 300	52,0
54,0	71,1	132,8	16 900	14 900	13 200	16 900	14 900	13 200	54,0
56,0	70,2	131,9	16 500	14 600	13 000	16 500	14 600	13 000	56,0
58,0	69,3	131,1	16 200	14 400	12 800	16 200	14 400	12 800	58,0
60,0	68,4	130,2	15 900	14 200	12 600	15 900	14 200	12 600	60,0
62,0	67,5	129,2	15 600	13 900	12 500	15 600	13 900	12 500	62,0
64,0	66,6	128,3	15 300	13 700	12 300	15 300	13 700	12 300	64,0
66,0	65,7	127,2	15 000	13 500	12 100	15 000	13 500	12 100	66,0
68,0	64,8	126,2	14 700	13 300	11 900	14 700	13 300	11 900	68,0
70,0	63,8	125,1	14 500	13 000	11 800	14 500	13 000	11 800	70,0
74,0	61,9	122,7	13 900	12 600	11 500	13 900	12 600	11 500	74,0
78,0	60,0	120,2	13 400	12 200	11 100	13 400	12 200	11 100	78,0
82,0	58,0	117,5	13 000	11 800	10 800	13 000	11 800	10 800	82,0
86,0	56,0	114,6	12 500	11 500	10 500	12 500	11 500	10 500	86,0
90,0	53,9	111,4	12 100	11 100	10 200	12 100	11 100	10 200	90,0
94,0	51,8	108,1	11 700	10 800	9 800	11 700	10 800	10 000	94,0
98,0	49,5	104,4	9 800	8 600	7 500	11 300	10 500	9 700	98,0
102,0	47,2	100,4	7 300	6 300	5 300	10 900	10 200	9 500	102,0
106,0	44,8	96,1	5 000	4 100		10 600	9 900	9 200	106,0
110,0	42,3	91,4				10 300	9 600	9 000	110,0
114,0	39,6	86,3				10 000	9 300	8 800	114,0
118,0	36,8	80,6				9 700	9 100	8 600	118,0
122,0	33,7	74,2				9 500	8 900	8 400	122,0
126,0	30,3	66,9				9 200	8 700	8 200	126,0
130,0	26,4	58,4				9 000	8 500	8 100	130,0
134,0	21,9	48,0				8 900	8 400	7 900	134,0

MLC650 VPC-MAX S-2



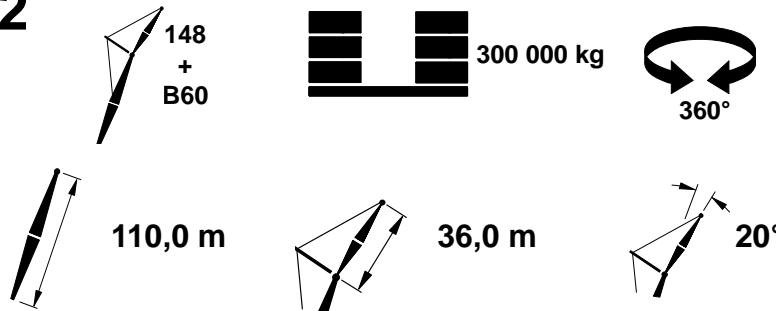
m	°	m	11,8 m			18,3 m			m
			0° kg	1° kg	2° kg	0° kg	1° kg	2° kg	
27,4									27,4
28,0									28,0
30,0									30,0
32,0	82,8	138,4	17 700			17 700			32,0
34,0	82,0	137,9	17 300			17 300			34,0
36,0	81,1	137,4	17 000			17 000	15 000		36,0
38,0	80,3	136,9	16 700	15 000	13 100	16 700	14 700	13 100	38,0
40,0	79,4	136,3	16 400	14 500	12 900	16 400	14 500	12 900	40,0
42,0	78,5	135,7	16 100	14 300	12 700	16 100	14 300	12 700	42,0
44,0	77,7	135,1	15 800	14 100	12 600	15 800	14 100	12 600	44,0
46,0	76,8	134,4	15 500	13 900	12 400	15 500	13 900	12 400	46,0
48,0	75,9	133,8	15 200	13 600	12 200	15 200	13 600	12 200	48,0
50,0	75,0	133,0	15 000	13 400	12 100	15 000	13 400	12 100	50,0
52,0	74,2	132,3	14 700	13 200	11 900	14 700	13 200	11 900	52,0
54,0	73,3	131,5	14 400	13 000	11 800	14 400	13 000	11 800	54,0
56,0	72,4	130,6	14 200	12 800	11 600	14 200	12 800	11 600	56,0
58,0	71,5	129,7	13 900	12 600	11 500	13 900	12 600	11 500	58,0
60,0	70,6	128,8	13 700	12 500	11 300	13 700	12 500	11 300	60,0
62,0	69,7	127,9	13 400	12 300	11 200	13 400	12 300	11 200	62,0
64,0	68,7	126,9	13 100	12 100	11 000	13 100	12 100	11 000	64,0
66,0	67,8	125,9	12 800	11 900	10 900	12 800	11 900	10 900	66,0
68,0	66,9	124,8	12 600	11 700	10 800	12 600	11 700	10 800	68,0
70,0	65,9	123,7	12 300	11 600	10 600	12 300	11 600	10 600	70,0
74,0	64,0	121,3	11 800	11 200	10 300	11 800	11 200	10 300	74,0
78,0	62,0	118,8	11 400	10 900	10 100	11 400	10 900	10 100	78,0
82,0	60,0	116,0	10 900	10 600	9 900	10 900	10 600	9 900	82,0
86,0	58,0	113,1	10 500	10 400	9 600	10 500	10 400	9 600	86,0
90,0	55,9	109,9	10 200	10 100	9 400	10 200	10 100	9 400	90,0
94,0	53,7	106,4	9 800	9 800	9 200	9 800	9 800	9 200	94,0
98,0	51,4	102,7	9 500	9 400	8 900	9 500	9 400	9 000	98,0
102,0	49,1	98,7	8 900	7 800	6 700	9 200	9 200	8 800	102,0
106,0	46,6	94,3	6 400	5 400	4 500	9 000	8 900	8 600	106,0
110,0	44,0	89,5	4 100			8 700	8 600	8 500	110,0
114,0	41,3	84,2				8 500	8 400	8 300	114,0
118,0	38,4	78,3				8 300	8 200	8 100	118,0
122,0	35,2	71,8				8 100	8 000	8 000	122,0
126,0	31,6	64,2				7 900	7 800	7 800	126,0
130,0									130,0
134,0									134,0

MLC650 VPC-MAX S-2



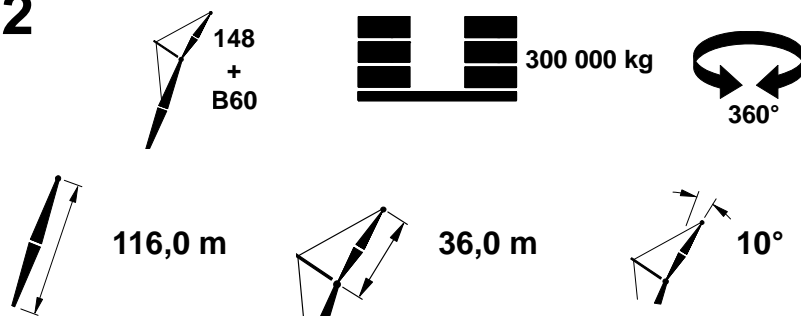
m	°	m	11,8 m			18,3 m			m
			0°	1°	2°	0°	1°	2°	
			kg	kg	kg	kg	kg	kg	
27,4	82,8	146,7	21 900			21 900			27,4
28,0	82,6	146,6	21 800			21 800			28,0
30,0	81,8	146,2	21 400			21 400			30,0
32,0	81,0	145,8	21 100	17 600	15 000	21 100	17 600	15 000	32,0
34,0	80,2	145,3	20 700	17 300	14 800	20 700	17 300	14 800	34,0
36,0	79,4	144,8	20 300	17 100	14 700	20 300	17 100	14 700	36,0
38,0	78,5	144,3	19 900	16 900	14 500	19 900	16 900	14 500	38,0
40,0	77,7	143,8	19 500	16 600	14 300	19 500	16 600	14 300	40,0
42,0	76,9	143,3	19 200	16 400	14 200	19 200	16 400	14 200	42,0
44,0	76,1	142,7	18 800	16 200	14 000	18 800	16 200	14 000	44,0
46,0	75,3	142,0	18 500	15 900	13 800	18 500	15 900	13 800	46,0
48,0	74,4	141,4	18 100	15 700	13 700	18 100	15 700	13 700	48,0
50,0	73,6	140,7	17 800	15 400	13 500	17 800	15 400	13 500	50,0
52,0	72,8	140,0	17 400	15 200	13 400	17 400	15 200	13 400	52,0
54,0	71,9	139,2	17 100	15 000	13 200	17 100	15 000	13 200	54,0
56,0	71,1	138,4	16 800	14 800	13 000	16 800	14 800	13 000	56,0
58,0	70,2	137,6	16 500	14 500	12 900	16 500	14 500	12 900	58,0
60,0	69,4	136,7	16 200	14 300	12 700	16 200	14 300	12 700	60,0
62,0	68,5	135,9	15 900	14 100	12 500	15 900	14 100	12 500	62,0
64,0	67,7	134,9	15 600	13 800	12 400	15 600	13 800	12 400	64,0
66,0	66,8	134,0	15 300	13 600	12 200	15 300	13 600	12 200	66,0
68,0	65,9	133,0	15 000	13 400	12 000	15 000	13 400	12 000	68,0
70,0	65,0	131,9	14 800	13 200	11 900	14 800	13 200	11 900	70,0
74,0	63,2	129,7	14 200	12 800	11 600	14 200	12 800	11 600	74,0
78,0	61,4	127,3	13 700	12 500	11 300	13 700	12 500	11 300	78,0
82,0	59,5	124,8	13 200	12 100	11 000	13 200	12 100	11 000	82,0
86,0	57,6	122,0	12 800	11 700	10 700	12 800	11 700	10 700	86,0
90,0	55,7	119,1	12 400	11 300	10 100	12 400	11 400	10 400	90,0
94,0	53,7	115,9	10 200	8 800	7 500	12 000	11 000	10 200	94,0
98,0	51,6	112,5	7 500	6 300	5 100	11 600	10 700	9 900	98,0
102,0	49,5	108,9	5 100	3 900		11 200	10 400	9 700	102,0
106,0	47,3	104,9				10 900	10 100	9 400	106,0
110,0	45,0	100,6				10 600	9 900	9 200	110,0
114,0	42,6	96,0				10 300	9 600	9 000	114,0
118,0	40,0	90,9				10 000	9 400	8 800	118,0
122,0	37,3	85,4				9 700	9 100	8 600	122,0
126,0	34,4	79,2				9 500	8 900	8 400	126,0
130,0	31,3	72,2				9 300	8 700	8 300	130,0
134,0	27,8	64,2				9 100	8 600	8 100	134,0
138,0	23,7	54,6				9 000	8 400	8 000	138,0

MLC650 VPC-MAX S-2



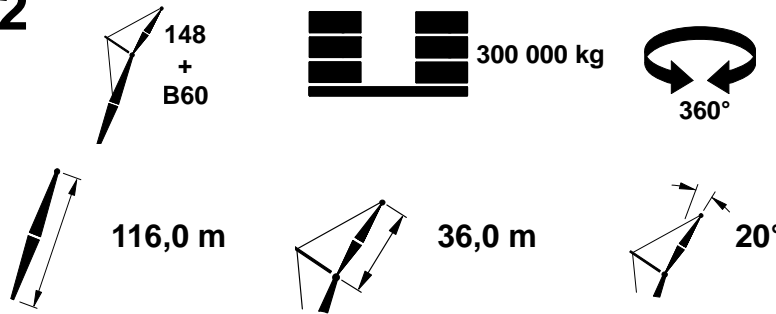
m	°	m	11,8 m			18,3 m			m
			0°	1°	2°	0°	1°	2°	
			kg	kg	kg	kg	kg	kg	
27,4									27,4
28,0									28,0
30,0									30,0
32,0									32,0
34,0	82,3	144,1	17 400			17 400			34,0
36,0	81,5	143,6	17 100	14 900		17 100	14 900		36,0
38,0	80,7	143,1	16 800	14 800		16 800	14 800		38,0
40,0	79,9	142,5	16 500	14 500	12 900	16 500	14 500	12 900	40,0
42,0	79,0	142,0	16 200	14 300	12 700	16 200	14 300	12 700	42,0
44,0	78,2	141,4	15 900	14 100	12 600	15 900	14 100	12 600	44,0
46,0	77,4	140,7	15 600	13 900	12 400	15 600	13 900	12 400	46,0
48,0	76,5	140,1	15 400	13 700	12 200	15 400	13 700	12 200	48,0
50,0	75,7	139,4	15 100	13 500	12 100	15 100	13 500	12 100	50,0
52,0	74,9	138,7	14 800	13 300	12 000	14 800	13 300	12 000	52,0
54,0	74,0	137,9	14 600	13 100	11 800	14 600	13 100	11 800	54,0
56,0	73,2	137,1	14 400	12 900	11 700	14 400	12 900	11 700	56,0
58,0	72,3	136,3	14 100	12 700	11 500	14 100	12 700	11 500	58,0
60,0	71,4	135,4	13 900	12 600	11 400	13 900	12 600	11 400	60,0
62,0	70,6	134,5	13 600	12 400	11 200	13 600	12 400	11 200	62,0
64,0	69,7	133,6	13 400	12 200	11 100	13 400	12 200	11 100	64,0
66,0	68,8	132,6	13 100	12 100	11 000	13 100	12 100	11 000	66,0
68,0	67,9	131,6	12 800	11 900	10 800	12 800	11 900	10 800	68,0
70,0	67,0	130,5	12 600	11 700	10 700	12 600	11 700	10 700	70,0
74,0	65,2	128,3	12 100	11 400	10 500	12 100	11 400	10 500	74,0
78,0	63,4	125,9	11 600	11 100	10 200	11 600	11 100	10 200	78,0
82,0	61,5	123,3	11 200	10 800	10 000	11 200	10 800	10 000	82,0
86,0	59,5	120,5	10 800	10 500	9 700	10 800	10 500	9 700	86,0
90,0	57,6	117,5	10 400	10 300	9 500	10 400	10 300	9 500	90,0
94,0	55,5	114,3	10 100	10 000	9 200	10 100	10 000	9 300	94,0
98,0	53,4	110,9	9 400	8 100	6 800	9 800	9 700	9 100	98,0
102,0	51,3	107,2	6 800		4 400	9 500	9 400	8 900	102,0
106,0	49,0	103,1	4 300			9 200	9 100	8 800	106,0
110,0	46,7	98,8				8 900	8 900	8 600	110,0
114,0	44,2	94,0				8 700	8 600	8 500	114,0
118,0	41,6	88,9				8 500	8 400	8 300	118,0
122,0	38,9	83,1				8 300	8 200	8 200	122,0
126,0	35,9	76,8				8 100	8 000	8 000	126,0
130,0	32,6	69,6				7 900	7 900	7 800	130,0
134,0	28,9	61,2				7 800	7 700	7 700	134,0
138,0									138,0

MLC650 VPC-MAX S-2



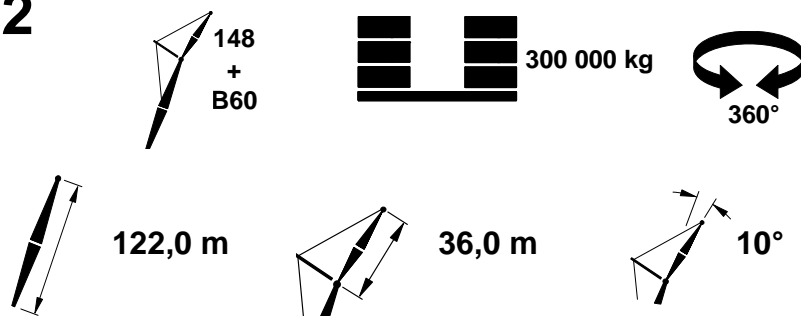
m	°	m	11,8 m			18,3 m			m
			0°	1°	2°	0°	1°	2°	
			kg	kg	kg	kg	kg	kg	
29,0	82,5	152,5	21 600			21 600			29,0
30,0	82,1	152,3	21 400			21 400			30,0
32,0	81,3	151,9	21 100	17 500		21 100	17 500		32,0
34,0	80,6	151,5	20 700	17 300	14 700	20 700	17 300	14 700	34,0
36,0	79,8	151,0	20 300	17 100	14 600	20 300	17 100	14 600	36,0
38,0	79,0	150,5	20 000	16 800	14 400	20 000	16 800	14 400	38,0
40,0	78,2	150,0	19 700	16 600	14 300	19 700	16 600	14 300	40,0
42,0	77,5	149,5	19 300	16 400	14 100	19 300	16 400	14 100	42,0
44,0	76,7	148,9	18 900	16 200	14 000	18 900	16 200	14 000	44,0
46,0	75,9	148,3	18 600	15 900	13 800	18 600	15 900	13 800	46,0
48,0	75,1	147,7	18 300	15 700	13 700	18 300	15 700	13 700	48,0
50,0	74,3	147,0	18 000	15 500	13 500	18 000	15 500	13 500	50,0
52,0	73,5	146,3	17 600	15 300	13 400	17 600	15 300	13 400	52,0
54,0	72,7	145,6	17 300	15 100	13 200	17 300	15 100	13 200	54,0
56,0	71,9	144,9	17 000	14 900	13 100	17 000	14 900	13 100	56,0
58,0	71,1	144,1	16 700	14 600	12 900	16 700	14 600	12 900	58,0
60,0	70,3	143,3	16 400	14 400	12 800	16 400	14 400	12 800	60,0
62,0	69,4	142,4	16 100	14 200	12 600	16 100	14 200	12 600	62,0
64,0	68,6	141,5	15 800	14 000	12 500	15 800	14 000	12 500	64,0
66,0	67,8	140,6	15 500	13 800	12 300	15 500	13 800	12 300	66,0
68,0	66,9	139,7	15 300	13 600	12 100	15 300	13 600	12 100	68,0
70,0	66,1	138,7	15 000	13 400	12 000	15 000	13 400	12 000	70,0
74,0	64,4	136,6	14 500	13 000	11 700	14 500	13 000	11 700	74,0
78,0	62,7	134,3	14 000	12 600	11 400	14 000	12 600	11 400	78,0
82,0	60,9	131,9	13 500	12 300	11 100	13 500	12 300	11 100	82,0
86,0	59,1	129,3	13 100	11 900	10 900	13 100	11 900	10 900	86,0
90,0	57,3	126,5	12 600	11 100	9 500	12 700	11 600	10 600	90,0
94,0	55,4	123,6	9 800	8 300	6 900	12 300	11 300	10 300	94,0
98,0	53,5	120,4	7 100	5 800	4 500	11 900	11 000	10 100	98,0
102,0	51,5	117,0	4 700	3 400		11 500	10 700	9 800	102,0
106,0	49,4	113,3				11 200	10 400	9 600	106,0
110,0	47,3	109,4				10 900	10 100	9 400	110,0
114,0	45,1	105,2				10 600	9 900	9 200	114,0
118,0	42,8	100,6				10 300	9 600	9 000	118,0
122,0	40,4	95,6				10 000	9 400	8 800	122,0
126,0	37,9	90,1				9 800	9 200	8 600	126,0
130,0	35,1	84,1				9 600	9 000	8 400	130,0
134,0	32,2	77,4				9 300	8 800	8 300	134,0
138,0	28,9	69,7				9 200	8 600	8 200	138,0
142,0	25,2	60,8				9 000	8 500	8 000	142,0
146,0	20,9	49,9				8 900	8 400	8 000	146,0

MLC650 VPC-MAX S-2



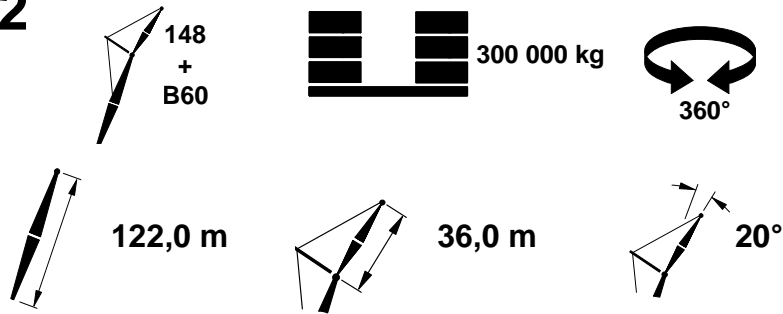
m	°	m	11,8 m			18,3 m			m
			0° kg	1° kg	2° kg	0° kg	1° kg	2° kg	
29,0									29,0
30,0									30,0
32,0									32,0
34,0	82,6	150,2	17 500			17 500			34,0
36,0	81,8	149,7	17 100			17 100			36,0
38,0	81,1	149,2	16 900	14 800		16 900	14 800		38,0
40,0	80,3	148,7	16 600	14 500	12 800	16 600	14 500	12 800	40,0
42,0	79,5	148,2	16 300	14 300	12 700	16 300	14 300	12 700	42,0
44,0	78,7	147,6	16 000	14 100	12 500	16 000	14 100	12 500	44,0
46,0	77,9	147,0	15 800	14 000	12 400	15 800	14 000	12 400	46,0
48,0	77,1	146,4	15 500	13 800	12 300	15 500	13 800	12 300	48,0
50,0	76,3	145,7	15 200	13 600	12 100	15 200	13 600	12 100	50,0
52,0	75,5	145,0	15 000	13 400	12 000	15 000	13 400	12 000	52,0
54,0	74,7	144,3	14 800	13 200	11 800	14 800	13 200	11 800	54,0
56,0	73,9	143,5	14 500	13 000	11 700	14 500	13 000	11 700	56,0
58,0	73,0	142,7	14 300	12 800	11 600	14 300	12 800	11 600	58,0
60,0	72,2	141,9	14 100	12 700	11 400	14 100	12 700	11 400	60,0
62,0	71,4	141,1	13 800	12 500	11 300	13 800	12 500	11 300	62,0
64,0	70,6	140,2	13 600	12 300	11 200	13 600	12 300	11 200	64,0
66,0	69,7	139,2	13 400	12 200	11 000	13 400	12 200	11 000	66,0
68,0	68,9	138,3	13 100	12 000	10 900	13 100	12 000	10 900	68,0
70,0	68,0	137,3	12 800	11 800	10 800	12 800	11 800	10 800	70,0
74,0	66,3	135,1	12 300	11 500	10 600	12 300	11 500	10 600	74,0
78,0	64,6	132,9	11 900	11 300	10 300	11 900	11 300	10 300	78,0
82,0	62,8	130,4	11 500	11 000	10 100	11 500	11 000	10 100	82,0
86,0	61,0	127,8	11 100	10 700	9 900	11 100	10 700	9 900	86,0
90,0	59,1	125,0	10 700	10 400	9 600	10 700	10 400	9 600	90,0
94,0	57,2	122,0	10 300	10 100	8 900	10 300	10 200	9 500	94,0
98,0	55,2	118,8	9 100	7 700	6 400	10 000	9 900	9 300	98,0
102,0	53,2	115,3	6 500	5 200	4 000	9 700	9 600	9 100	102,0
106,0	51,2	111,6	4 000			9 400	9 400	8 900	106,0
110,0	49,0	107,6				9 200	9 100	8 800	110,0
114,0	46,8	103,3				8 900	8 900	8 600	114,0
118,0	44,4	98,6				8 700	8 600	8 400	118,0
122,0	42,0	93,5				8 500	8 400	8 300	122,0
126,0	39,3	87,9				8 300	8 200	8 200	126,0
130,0	36,5	81,7				8 100	8 100	8 000	130,0
134,0	33,5	74,8				7 900	7 900	7 900	134,0
138,0	30,1	66,8				7 800	7 800	7 700	138,0
142,0									142,0
146,0									146,0

MLC650 VPC-MAX S-2



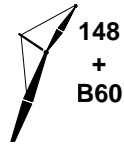
m	°	m	11,8 m			18,3 m			m
			0°	1°	2°	0°	1°	2°	
			kg	kg	kg	kg	kg	kg	
29,0	82,8	158,6	21 600			21 600			29,0
30,0	82,4	158,4	21 400			21 400			30,0
32,0	81,7	158,0	21 100	17 400		21 100	17 400		32,0
34,0	80,9	157,6	20 700	17 200		20 700	17 200		34,0
36,0	80,2	157,2	20 400	17 000	14 500	20 400	17 000	14 500	36,0
38,0	79,4	156,7	20 100	16 800	14 300	20 100	16 800	14 300	38,0
40,0	78,7	156,2	19 700	16 600	14 200	19 700	16 600	14 200	40,0
42,0	77,9	155,7	19 400	16 400	14 000	19 400	16 400	14 000	42,0
44,0	77,2	155,2	19 100	16 200	13 900	19 100	16 200	13 900	44,0
46,0	76,4	154,6	18 700	16 000	13 700	18 700	16 000	13 700	46,0
48,0	75,7	154,0	18 400	15 800	13 600	18 400	15 800	13 600	48,0
50,0	74,9	153,3	18 100	15 500	13 500	18 100	15 500	13 500	50,0
52,0	74,1	152,7	17 800	15 300	13 400	17 800	15 300	13 400	52,0
54,0	73,4	152,0	17 500	15 100	13 200	17 500	15 100	13 200	54,0
56,0	72,6	151,3	17 200	14 900	13 100	17 200	14 900	13 100	56,0
58,0	71,8	150,5	16 900	14 700	12 900	16 900	14 700	12 900	58,0
60,0	71,1	149,7	16 600	14 500	12 800	16 600	14 500	12 800	60,0
62,0	70,3	148,9	16 400	14 300	12 600	16 400	14 300	12 600	62,0
64,0	69,5	148,1	16 100	14 100	12 500	16 100	14 100	12 500	64,0
66,0	68,7	147,2	15 800	13 900	12 300	15 800	13 900	12 300	66,0
68,0	67,9	146,3	15 500	13 700	12 200	15 500	13 700	12 200	68,0
70,0	67,1	145,4	15 300	13 600	12 100	15 300	13 600	12 100	70,0
74,0	65,5	143,4	14 800	13 200	11 800	14 800	13 200	11 800	74,0
78,0	63,8	141,2	14 300	12 800	11 500	14 300	12 800	11 500	78,0
82,0	62,1	138,9	13 800	12 500	11 300	13 800	12 500	11 300	82,0
86,0	60,4	136,5	13 200	11 700	9 900	13 400	12 100	11 000	86,0
90,0	58,7	133,9	10 500	8 700	7 100	13 000	11 800	10 700	90,0
94,0	56,9	131,1	7 600	6 000	4 500	12 600	11 500	10 500	94,0
98,0	55,1	128,1	4 900			12 200	11 200	10 200	98,0
102,0	53,3	124,9				11 800	10 900	10 000	102,0
106,0	51,4	121,5				11 500	10 600	9 800	106,0
110,0	49,4	117,8				11 200	10 400	9 600	110,0
114,0	47,4	113,9				10 900	10 100	9 300	114,0
118,0	45,2	109,7				10 600	9 800	9 200	118,0
122,0	43,1	105,1				10 300	9 600	9 000	122,0
126,0	40,7	100,2				10 100	9 400	8 800	126,0
130,0	38,3	94,8				9 800	9 200	8 600	130,0
134,0	35,7	89,0				9 600	9 000	8 500	134,0
138,0	33,0	82,5				9 400	8 800	8 300	138,0
142,0	29,9	75,1				9 100	8 600	8 100	142,0
146,0	26,6	66,7				7 700	7 400	6 700	146,0
150,0	22,7	56,7				6 200	6 000	5 400	150,0

MLC650 VPC-MAX S-2

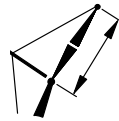


m	°	m	11,8 m			18,3 m			m
			0° kg	1° kg	2° kg	0° kg	1° kg	2° kg	
29,0									29,0
30,0									30,0
32,0									32,0
34,0									34,0
36,0	82,2	155,9	17 200			17 200			36,0
38,0	81,4	155,4	16 900	14 700		16 900	14 700		38,0
40,0	80,7	154,9	16 600	14 500	12 800	16 600	14 500	12 800	40,0
42,0	79,9	154,4	16 400	14 300	12 600	16 400	14 300	12 600	42,0
44,0	79,1	153,8	16 100	14 200	12 500	16 100	14 200	12 500	44,0
46,0	78,4	153,3	15 800	14 000	12 300	15 800	14 000	12 300	46,0
48,0	77,6	152,7	15 600	13 800	12 200	15 600	13 800	12 200	48,0
50,0	76,8	152,0	15 400	13 600	12 100	15 400	13 600	12 100	50,0
52,0	76,1	151,4	15 100	13 400	12 000	15 100	13 400	12 000	52,0
54,0	75,3	150,7	14 900	13 300	11 800	14 900	13 300	11 800	54,0
56,0	74,5	149,9	14 700	13 100	11 700	14 700	13 100	11 700	56,0
58,0	73,7	149,2	14 400	12 900	11 600	14 400	12 900	11 600	58,0
60,0	72,9	148,4	14 200	12 800	11 500	14 200	12 800	11 500	60,0
62,0	72,2	147,6	14 000	12 600	11 300	14 000	12 600	11 300	62,0
64,0	71,4	146,7	13 800	12 400	11 200	13 800	12 400	11 200	64,0
66,0	70,6	145,8	13 600	12 300	11 100	13 600	12 300	11 100	66,0
68,0	69,8	144,9	13 400	12 100	11 000	13 400	12 100	11 000	68,0
70,0	68,9	143,9	13 100	12 000	10 800	13 100	12 000	10 800	70,0
74,0	67,3	141,9	12 600	11 700	10 600	12 600	11 700	10 600	74,0
78,0	65,6	139,8	12 200	11 400	10 400	12 200	11 400	10 400	78,0
82,0	64,0	137,5	11 700	11 100	10 200	11 700	11 100	10 200	82,0
86,0	62,2	135,0	11 300	10 900	10 000	11 300	10 900	10 000	86,0
90,0	60,5	132,3	11 000	10 600	9 400	11 000	10 600	9 800	90,0
94,0	58,7	129,5	9 900	8 200	6 600	10 600	10 400	9 600	94,0
98,0	56,8	126,5	7 000	5 500	4 100	10 300	10 100	9 400	98,0
102,0	55,0	123,2	4 400	3 000		10 000	9 900	9 200	102,0
106,0	53,0	119,8				9 700	9 600	9 000	106,0
110,0	51,0	116,1				9 400	9 300	8 900	110,0
114,0	49,0	112,1				9 200	9 100	8 700	114,0
118,0	46,8	107,8				8 900	8 900	8 600	118,0
122,0	44,6	103,2				8 700	8 700	8 400	122,0
126,0	42,2	98,1				8 500	8 400	8 300	126,0
130,0	39,7	92,7				8 300	8 300	8 200	130,0
134,0	37,1	86,6				8 100	8 100	8 000	134,0
138,0	34,2	79,9				8 000	7 900	7 900	138,0
142,0	31,1	72,3				7 900	7 800	7 800	142,0
146,0	27,6	63,5				7 700	7 600	7 000	146,0
150,0									150,0

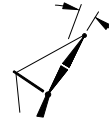
MLC650 VPC-MAX S-2




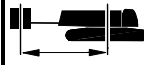
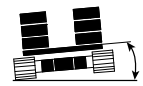
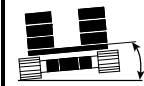


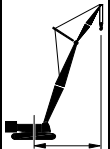

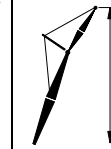

128,0 m



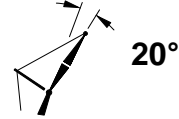
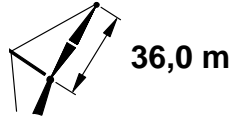
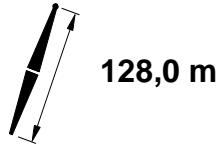
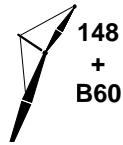
36,0 m

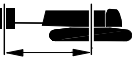
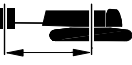
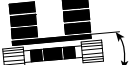
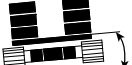





10°

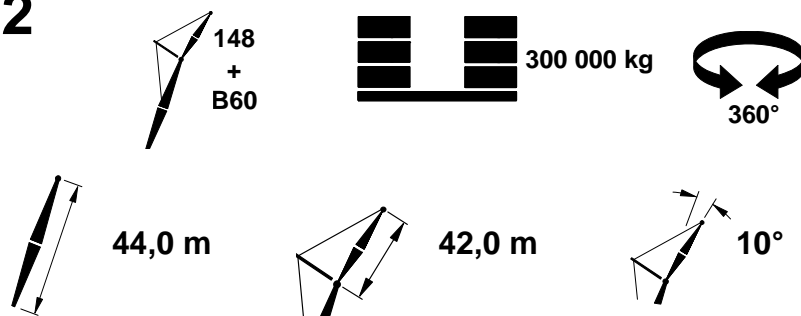
			 11,8 m		 18,3 m	
			 0°		 0°	
			 kg		 kg	
 m	 °	 m			 m	
30,5	82,5	164,4	21 200	21 200	30,5	
32,0	82,0	164,1	21 000	21 000	32,0	
34,0	81,3	163,7	20 700	20 700	34,0	
36,0	80,5	163,3	20 400	20 400	36,0	
38,0	79,8	162,8	20 100	20 100	38,0	
40,0	79,1	162,4	19 800	19 800	40,0	
42,0	78,4	161,9	19 500	19 500	42,0	
44,0	77,7	161,3	19 100	19 100	44,0	
46,0	76,9	160,8	18 800	18 800	46,0	
48,0	76,2	160,2	18 500	18 500	48,0	
50,0	75,5	159,6	18 200	18 200	50,0	
52,0	74,8	159,0	17 900	17 900	52,0	
54,0	74,0	158,3	17 600	17 600	54,0	
56,0	73,3	157,6	17 400	17 400	56,0	
58,0	72,5	156,9	17 100	17 100	58,0	
60,0	71,8	156,2	16 800	16 800	60,0	
62,0	71,0	155,4	16 500	16 500	62,0	
64,0	70,3	154,6	16 300	16 300	64,0	
66,0	69,5	153,7	16 000	16 000	66,0	
68,0	68,8	152,8	15 800	15 800	68,0	
70,0	68,0	151,9	15 500	15 500	70,0	
74,0	66,4	150,0	15 000	15 000	74,0	
78,0	64,9	148,0	14 500	14 500	78,0	
82,0	63,3	145,8	14 100	14 100	82,0	
86,0	61,7	143,5	13 100	13 700	86,0	
90,0	60,0	141,0	9 900	13 300	90,0	
94,0	58,3	138,3	7 000	12 900	94,0	
98,0	56,6	135,5	4 300	12 500	98,0	
102,0	54,9	132,5		12 100	102,0	
106,0	53,1	129,3		11 800	106,0	
110,0	51,2	125,9		11 500	110,0	
114,0	49,3	122,2		11 100	114,0	
118,0	47,4	118,3		10 900	118,0	
122,0	45,4	114,1		10 600	122,0	
126,0	43,2	109,6		10 300	126,0	
130,0	41,0	104,8		10 100	130,0	
134,0	38,7	99,5		9 800	134,0	
138,0	36,3	93,7		9 600	138,0	
142,0	33,7	87,4		8 700	142,0	
146,0	30,8	80,4		7 200	146,0	
150,0	27,7	72,4		5 800	150,0	
154,0	24,2	63,0		4 000	154,0	

MLC650 VPC-MAX S-2



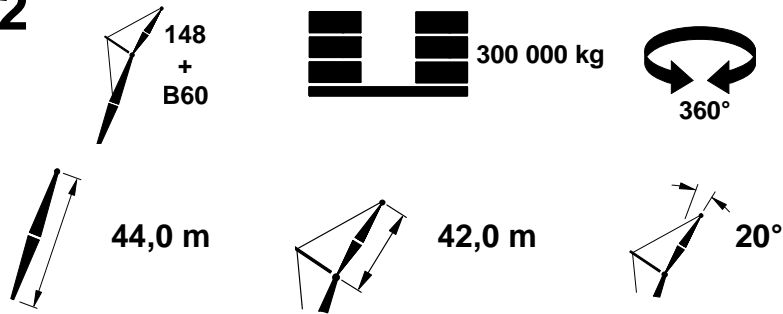
			 11,8 m		 18,3 m	
			 0°		 0°	
 m			 kg		 m	
30,5						30,5
32,0						32,0
34,0						34,0
36,0	82,5	162,0	17 200	17 200		36,0
38,0	81,7	161,5	16 900	16 900		38,0
40,0	81,0	161,0	16 700	16 700		40,0
42,0	80,3	160,5	16 400	16 400		42,0
44,0	79,5	160,0	16 200	16 200		44,0
46,0	78,8	159,5	15 900	15 900		46,0
48,0	78,1	158,9	15 700	15 700		48,0
50,0	77,3	158,3	15 500	15 500		50,0
52,0	76,6	157,6	15 200	15 200		52,0
54,0	75,9	157,0	15 000	15 000		54,0
56,0	75,1	156,3	14 800	14 800		56,0
58,0	74,4	155,5	14 600	14 600		58,0
60,0	73,6	154,8	14 400	14 400		60,0
62,0	72,9	154,0	14 100	14 100		62,0
64,0	72,1	153,2	13 900	13 900		64,0
66,0	71,3	152,3	13 700	13 700		66,0
68,0	70,6	151,5	13 600	13 600		68,0
70,0	69,8	150,5	13 400	13 400		70,0
74,0	68,2	148,6	12 900	12 900		74,0
78,0	66,6	146,6	12 400	12 400		78,0
82,0	65,0	144,3	12 000	12 000		82,0
86,0	63,4	142,0	11 600	11 600		86,0
90,0	61,7	139,5	11 200	11 200		90,0
94,0	60,0	136,8	9 400	10 900		94,0
98,0	58,3	133,9	6 600	10 500		98,0
102,0	56,5	130,9	3 900	10 200		102,0
106,0	54,7	127,6		9 900		106,0
110,0	52,8	124,2		9 700		110,0
114,0	50,9	120,5		9 400		114,0
118,0	48,9	116,5		9 200		118,0
122,0	46,9	112,2		9 000		122,0
126,0	44,7	107,7		8 700		126,0
130,0	42,5	102,7		8 500		130,0
134,0	40,1	97,3		8 400		134,0
138,0	37,6	91,4		8 200		138,0
142,0	34,9	84,9		8 000		142,0
146,0	32,0	77,6		7 700		146,0
150,0	28,7	69,3		6 200		150,0
154,0						154,0

MLC650 VPC-MAX S-2



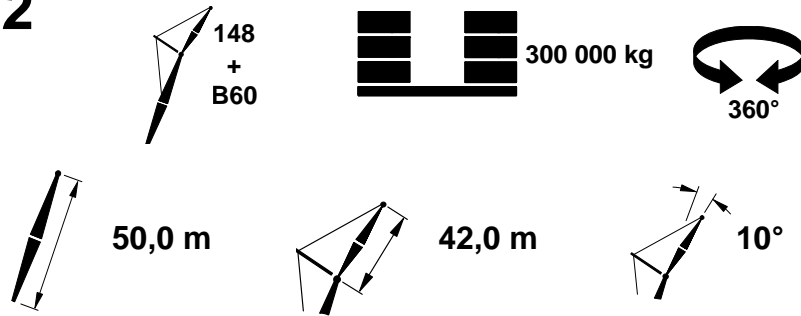
m	°	m	11,8 m			18,3 m			m
			0°	1°	2°	0°	1°	2°	
			kg	kg	kg	kg	kg	kg	
19,8	82,6	87,3	19 000b			19 000b			19,8
20,0	82,4	87,3	18 900b			18 900b			20,0
22,0	81,1	86,8	18 100b	15 500b		18 100b	15 500b		22,0
24,0	79,7	86,3	17 300	14 900	13 100	17 300	14 900	13 100	24,0
26,0	78,3	85,7	16 600	14 400	12 600	16 600	14 400	12 600	26,0
28,0	76,9	85,1	15 900	13 900	12 300	15 900	13 900	12 300	28,0
30,0	75,5	84,4	15 300	13 400	11 900	15 300	13 400	11 900	30,0
32,0	74,1	83,7	14 600	12 900	11 500	14 600	12 900	11 500	32,0
34,0	72,7	82,9	14 000	12 400	11 100	14 000	12 400	11 100	34,0
36,0	71,2	82,1	13 400	12 000	10 800	13 400	12 000	10 800	36,0
38,0	69,8	81,2	12 800	11 500	10 400	12 800	11 500	10 400	38,0
40,0	68,3	80,2	12 300	11 100	10 100	12 300	11 100	10 100	40,0
42,0	66,8	79,2	11 800	10 700	9 700	11 800	10 700	9 700	42,0
44,0	65,3	78,1	11 300	10 300	9 400	11 300	10 300	9 400	44,0
46,0	63,8	76,9	10 800	9 900	9 100	10 800	9 900	9 100	46,0
48,0	62,2	75,7	10 400	9 600	8 800	10 400	9 600	8 800	48,0
50,0	60,6	74,4	10 000	9 200	8 500	10 000	9 200	8 500	50,0
52,0	59,0	73,0	9 600	8 900	8 200	9 600	8 900	8 200	52,0
54,0	57,3	71,5	9 300	8 600	7 900	9 300	8 600	7 900	54,0
56,0	55,6	69,9	8 900	8 200	7 600	8 900	8 200	7 600	56,0
58,0	53,9	68,2	8 500	7 900	7 400	8 500	7 900	7 400	58,0
60,0	52,1	66,4	8 200	7 700	7 100	8 200	7 700	7 100	60,0
62,0	50,3	64,5	7 900	7 400	6 900	7 900	7 400	6 900	62,0
64,0	48,4	62,5	7 600	7 100	6 600	7 600	7 100	6 600	64,0
66,0	46,4	60,3	7 300	6 900	6 400	7 300	6 900	6 400	66,0
68,0	44,3	57,9	7 100	6 600	6 200	7 100	6 600	6 200	68,0
70,0	42,2	55,4	6 900	6 400	6 000	6 900	6 400	6 000	70,0
74,0	37,6	49,7	6 400	6 000	5 700	6 400	6 000	5 700	74,0
78,0	32,3	42,8	6 000	5 600	5 300	6 000	5 600	5 300	78,0
82,0	25,8	33,9	5 600	5 300	5 000	5 600	5 300	5 000	82,0

MLC650 VPC-MAX S-2



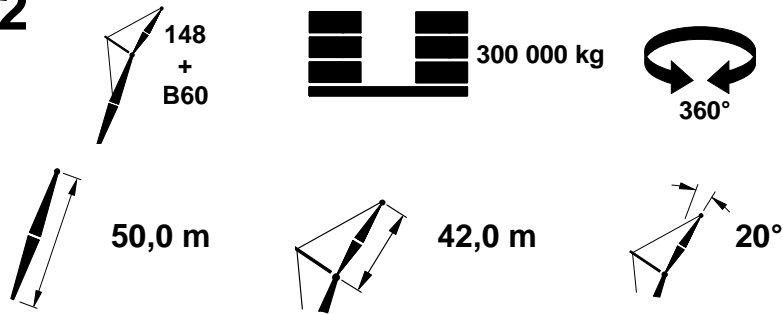
m	°	m	11,8 m			18,3 m			m
			0° kg	1° kg	2° kg	0° kg	1° kg	2° kg	
19,8									19,8
20,0									20,0
22,0									22,0
24,0									24,0
26,0	82,7	84,9	14 300b			14 300b			26,0
28,0	81,3	84,3	13 700	12 200		13 700	12 200		28,0
30,0	79,9	83,6	13 100	11 800	10 600	13 100	11 800	10 600	30,0
32,0	78,4	82,8	12 600	11 400	10 300	12 600	11 400	10 300	32,0
34,0	77,0	82,0	12 100	10 900	9 900	12 100	10 900	9 900	34,0
36,0	75,5	81,2	11 600	10 600	9 600	11 600	10 600	9 600	36,0
38,0	74,0	80,3	11 200	10 200	9 300	11 200	10 200	9 300	38,0
40,0	72,6	79,3	10 700	9 800	9 000	10 700	9 800	9 000	40,0
42,0	71,0	78,3	10 300	9 500	8 700	10 300	9 500	8 700	42,0
44,0	69,5	77,1	9 900	9 100	8 400	9 900	9 100	8 400	44,0
46,0	67,9	76,0	9 600	8 800	8 200	9 600	8 800	8 200	46,0
48,0	66,4	74,7	9 200	8 500	7 900	9 200	8 500	7 900	48,0
50,0	64,7	73,4	8 900	8 200	7 600	8 900	8 200	7 600	50,0
52,0	63,1	71,9	8 600	7 900	7 400	8 600	7 900	7 400	52,0
54,0	61,4	70,4	8 200	7 700	7 200	8 200	7 700	7 200	54,0
56,0	59,7	68,8	8 000	7 400	6 900	8 000	7 400	6 900	56,0
58,0	57,9	67,1	7 700	7 200	6 700	7 700	7 200	6 700	58,0
60,0	56,1	65,3	7 400	6 900	6 500	7 400	6 900	6 500	60,0
62,0	54,2	63,3	7 200	6 700	6 300	7 200	6 700	6 300	62,0
64,0	52,3	61,3	6 900	6 500	6 100	6 900	6 500	6 100	64,0
66,0	50,3	59,0	6 700	6 300	5 900	6 700	6 300	5 900	66,0
68,0	48,2	56,6	6 500	6 100	5 800	6 500	6 100	5 800	68,0
70,0	46,0	54,1	6 300	6 000	5 600	6 300	6 000	5 600	70,0
74,0	41,2	48,2	6 000	5 600	5 300	6 000	5 600	5 300	74,0
78,0	35,7	41,0	5 700	5 400	5 100	5 700	5 400	5 100	78,0
82,0	28,8	31,5	5 500	5 200	4 900	5 500	5 200	4 900	82,0

MLC650 VPC-MAX S-2



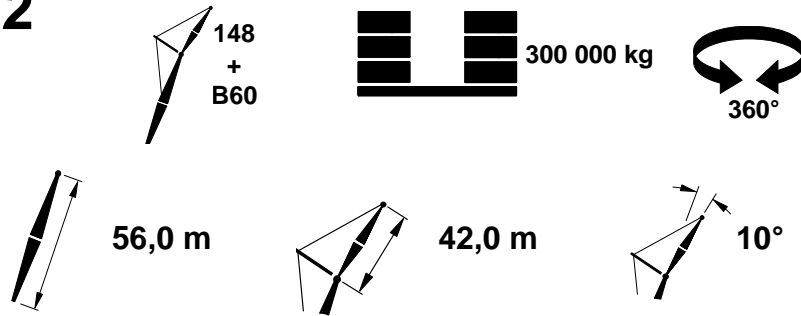
m	°	m	11,8 m			18,3 m			m
			0°	1°	2°	0°	1°	2°	
			kg	kg	kg	kg	kg	kg	
21,3	82,1	93,1	18 700			18 700			21,3
22,0	81,7	92,9	18 400			18 400			22,0
24,0	80,4	92,5	17 700	15 200		17 700	15 200		24,0
26,0	79,1	91,9	17 000	14 700	12 800	17 000	14 700	12 800	26,0
28,0	77,8	91,4	16 300	14 200	12 500	16 300	14 200	12 500	28,0
30,0	76,5	90,7	15 700	13 700	12 100	15 700	13 700	12 100	30,0
32,0	75,2	90,1	15 100	13 300	11 700	15 100	13 300	11 700	32,0
34,0	73,9	89,3	14 500	12 800	11 400	14 500	12 800	11 400	34,0
36,0	72,5	88,5	13 900	12 400	11 100	13 900	12 400	11 100	36,0
38,0	71,2	87,7	13 400	11 900	10 700	13 400	11 900	10 700	38,0
40,0	69,8	86,8	12 800	11 500	10 400	12 800	11 500	10 400	40,0
42,0	68,4	85,9	12 300	11 100	10 100	12 300	11 100	10 100	42,0
44,0	67,1	84,9	11 900	10 700	9 800	11 900	10 700	9 800	44,0
46,0	65,6	83,8	11 400	10 400	9 400	11 400	10 400	9 400	46,0
48,0	64,2	82,7	11 000	10 000	9 200	11 000	10 000	9 200	48,0
50,0	62,8	81,5	10 600	9 700	8 800	10 600	9 700	8 800	50,0
52,0	61,3	80,2	10 200	9 300	8 600	10 200	9 300	8 600	52,0
54,0	59,8	78,8	9 800	9 000	8 300	9 800	9 000	8 300	54,0
56,0	58,3	77,4	9 500	8 700	8 000	9 500	8 700	8 000	56,0
58,0	56,7	75,9	9 100	8 400	7 800	9 100	8 400	7 800	58,0
60,0	55,1	74,3	8 800	8 200	7 500	8 800	8 200	7 500	60,0
62,0	53,5	72,6	8 500	7 900	7 300	8 500	7 900	7 300	62,0
64,0	51,8	70,8	8 200	7 600	7 100	8 200	7 600	7 100	64,0
66,0	50,1	68,9	7 900	7 400	6 900	7 900	7 400	6 900	66,0
68,0	48,3	66,9	7 600	7 100	6 600	7 600	7 100	6 600	68,0
70,0	46,5	64,7	7 400	6 900	6 500	7 400	6 900	6 500	70,0
74,0	42,6	60,0	6 900	6 500	6 100	6 900	6 500	6 100	74,0
78,0	38,4	54,5	6 500	6 100	5 700	6 500	6 100	5 700	78,0
82,0	33,6	48,0	6 100	5 700	5 400	6 100	5 700	5 400	82,0
86,0	28,0	39,9	5 700	5 400	5 100	5 700	5 400	5 100	86,0
90,0	20,7	28,8	5 500	5 200	4 900	5 500	5 200	4 900	90,0

MLC650 VPC-MAX S-2



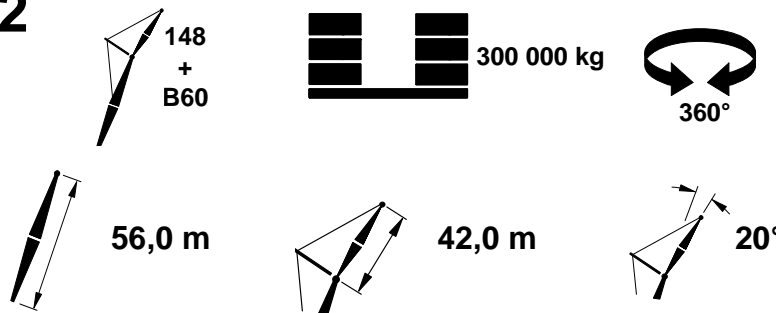
Reach (m)	Angle (°)	Reach (m)	11,8 m			18,3 m			Reach (m)
			0°	1°	2°	0°	1°	2°	
			kg	kg	kg	kg	kg	kg	
21,3									21,3
22,0									22,0
24,0									24,0
26,0									26,0
28,0	81,9	90,4	13 900			13 900			28,0
30,0	80,6	89,8	13 400	12 000		13 400	12 000		30,0
32,0	79,2	89,1	12 900	11 600	10 400	12 900	11 600	10 400	32,0
34,0	77,9	88,4	12 400	11 200	10 100	12 400	11 200	10 100	34,0
36,0	76,5	87,6	11 900	10 800	9 800	11 900	10 800	9 800	36,0
38,0	75,2	86,8	11 500	10 400	9 500	11 500	10 400	9 500	38,0
40,0	73,8	85,9	11 100	10 100	9 200	11 100	10 100	9 200	40,0
42,0	72,4	84,9	10 700	9 800	9 000	10 700	9 800	9 000	42,0
44,0	71,0	83,9	10 300	9 500	8 700	10 300	9 500	8 700	44,0
46,0	69,6	82,8	9 900	9 100	8 400	9 900	9 100	8 400	46,0
48,0	68,1	81,6	9 600	8 800	8 200	9 600	8 800	8 200	48,0
50,0	66,6	80,4	9 300	8 600	7 900	9 300	8 600	7 900	50,0
52,0	65,2	79,1	9 000	8 300	7 700	9 000	8 300	7 700	52,0
54,0	63,6	77,8	8 600	8 000	7 500	8 600	8 000	7 500	54,0
56,0	62,1	76,3	8 400	7 800	7 200	8 400	7 800	7 200	56,0
58,0	60,5	74,8	8 100	7 500	7 000	8 100	7 500	7 000	58,0
60,0	58,9	73,2	7 800	7 300	6 800	7 800	7 300	6 800	60,0
62,0	57,2	71,4	7 600	7 100	6 600	7 600	7 100	6 600	62,0
64,0	55,5	69,6	7 300	6 900	6 500	7 300	6 900	6 500	64,0
66,0	53,8	67,7	7 100	6 700	6 300	7 100	6 700	6 300	66,0
68,0	52,0	65,6	6 900	6 500	6 100	6 900	6 500	6 100	68,0
70,0	50,1	63,4	6 700	6 300	5 900	6 700	6 300	5 900	70,0
74,0	46,2	58,6	6 300	6 000	5 600	6 300	6 000	5 600	74,0
78,0	41,8	52,9	6 000	5 700	5 400	6 000	5 700	5 400	78,0
82,0	36,9	46,1	5 700	5 400	5 100	5 700	5 400	5 100	82,0
86,0	31,0	37,6	5 500	5 200	5 000	5 500	5 200	5 000	86,0
90,0									90,0

MLC650 VPC-MAX S-2



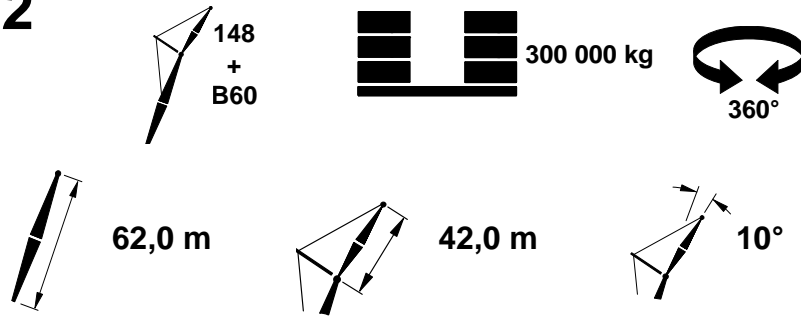
m	°	m	11,8 m			18,3 m			m
			0°	1°	2°	0°	1°	2°	
			kg	kg	kg	kg	kg	kg	
21,3	82,6	99,2	18 900			18 900			21,3
22,0	82,2	99,1	18 700			18 700			22,0
24,0	81,0	98,6	18 000	15 400		18 000	15 400		24,0
26,0	79,8	98,1	17 400	14 900	13 000	17 400	14 900	13 000	26,0
28,0	78,6	97,6	16 700	14 500	12 700	16 700	14 500	12 700	28,0
30,0	77,4	97,0	16 100	14 000	12 300	16 100	14 000	12 300	30,0
32,0	76,1	96,4	15 500	13 600	12 000	15 500	13 600	12 000	32,0
34,0	74,9	95,7	14 900	13 200	11 600	14 900	13 200	11 600	34,0
36,0	73,7	95,0	14 400	12 700	11 300	14 400	12 700	11 300	36,0
38,0	72,4	94,2	13 800	12 300	11 000	13 800	12 300	11 000	38,0
40,0	71,1	93,4	13 300	11 900	10 700	13 300	11 900	10 700	40,0
42,0	69,9	92,5	12 900	11 500	10 400	12 900	11 500	10 400	42,0
44,0	68,6	91,6	12 400	11 200	10 100	12 400	11 200	10 100	44,0
46,0	67,3	90,6	11 900	10 800	9 800	11 900	10 800	9 800	46,0
48,0	66,0	89,5	11 500	10 400	9 500	11 500	10 400	9 500	48,0
50,0	64,6	88,4	11 100	10 100	9 200	11 100	10 100	9 200	50,0
52,0	63,3	87,2	10 700	9 800	8 900	10 700	9 800	8 900	52,0
54,0	61,9	86,0	10 300	9 500	8 700	10 300	9 500	8 700	54,0
56,0	60,5	84,7	10 000	9 200	8 400	10 000	9 200	8 400	56,0
58,0	59,1	83,3	9 600	8 900	8 200	9 600	8 900	8 200	58,0
60,0	57,7	81,9	9 300	8 600	7 900	9 300	8 600	7 900	60,0
62,0	56,2	80,4	9 000	8 300	7 700	9 000	8 300	7 700	62,0
64,0	54,7	78,8	8 700	8 100	7 500	8 700	8 100	7 500	64,0
66,0	53,2	77,1	8 400	7 800	7 300	8 400	7 800	7 300	66,0
68,0	51,6	75,3	8 100	7 600	7 000	8 100	7 600	7 000	68,0
70,0	50,0	73,4	7 900	7 300	6 800	7 900	7 300	6 800	70,0
74,0	46,6	69,2	7 400	6 900	6 500	7 400	6 900	6 500	74,0
78,0	43,0	64,6	6 900	6 500	6 100	6 900	6 500	6 100	78,0
82,0	39,1	59,2	6 500	6 100	5 800	6 500	6 100	5 800	82,0
86,0	34,8	53,0	6 200	5 800	5 500	6 200	5 800	5 500	86,0
90,0	29,8	45,5	5 800	5 500	5 200	5 800	5 500	5 200	90,0
94,0	23,7	35,9	5 600	5 300	5 000	5 600	5 300	5 000	94,0

MLC650 VPC-MAX S-2



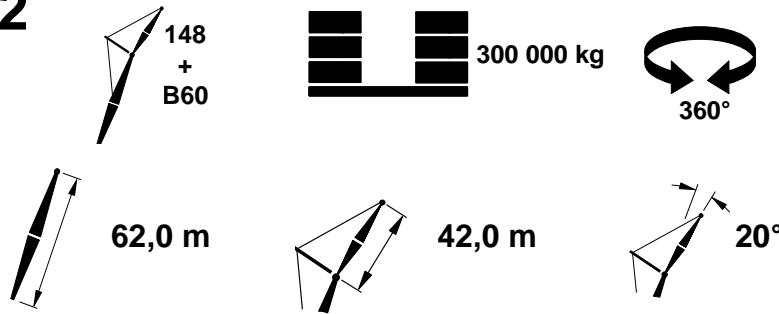
m	°	m	11,8 m			18,3 m			m
			0°	1°	2°	0°	1°	2°	
			kg	kg	kg	kg	kg	kg	
21,3									21,3
22,0									22,0
24,0									24,0
26,0									26,0
28,0	82,4	96,6	14 100			14 100			28,0
30,0	81,2	96,0	13 600	12 100		13 600	12 100		30,0
32,0	79,9	95,4	13 100	11 800	10 500	13 100	11 800	10 500	32,0
34,0	78,7	94,7	12 700	11 400	10 300	12 700	11 400	10 300	34,0
36,0	77,4	94,0	12 200	11 000	10 000	12 200	11 000	10 000	36,0
38,0	76,2	93,2	11 800	10 700	9 700	11 800	10 700	9 700	38,0
40,0	74,9	92,4	11 400	10 400	9 400	11 400	10 400	9 400	40,0
42,0	73,6	91,5	11 000	10 000	9 200	11 000	10 000	9 200	42,0
44,0	72,3	90,5	10 600	9 700	8 900	10 600	9 700	8 900	44,0
46,0	71,0	89,5	10 300	9 400	8 600	10 300	9 400	8 600	46,0
48,0	69,6	88,5	10 000	9 100	8 400	10 000	9 100	8 400	48,0
50,0	68,3	87,3	9 600	8 900	8 200	9 600	8 900	8 200	50,0
52,0	66,9	86,2	9 300	8 600	8 000	9 300	8 600	8 000	52,0
54,0	65,5	84,9	9 000	8 400	7 700	9 000	8 400	7 700	54,0
56,0	64,1	83,6	8 700	8 100	7 500	8 700	8 100	7 500	56,0
58,0	62,7	82,2	8 500	7 900	7 300	8 500	7 900	7 300	58,0
60,0	61,2	80,7	8 200	7 600	7 100	8 200	7 600	7 100	60,0
62,0	59,7	79,2	8 000	7 400	6 900	8 000	7 400	6 900	62,0
64,0	58,2	77,6	7 700	7 200	6 700	7 700	7 200	6 700	64,0
66,0	56,6	75,8	7 500	7 000	6 600	7 500	7 000	6 600	66,0
68,0	55,0	74,0	7 300	6 800	6 400	7 300	6 800	6 400	68,0
70,0	53,4	72,1	7 100	6 600	6 200	7 100	6 600	6 200	70,0
74,0	50,0	67,9	6 700	6 300	5 900	6 700	6 300	5 900	74,0
78,0	46,3	63,1	6 400	6 000	5 600	6 400	6 000	5 600	78,0
82,0	42,3	57,6	6 100	5 700	5 400	6 100	5 700	5 400	82,0
86,0	37,8	51,2	5 800	5 500	5 200	5 800	5 500	5 200	86,0
90,0	32,6	43,3	5 600	5 300	5 000	5 600	5 300	5 000	90,0
94,0	26,1	33,0	5 400	5 200	4 900	5 400	5 200	4 900	94,0

MLC650 VPC-MAX S-2



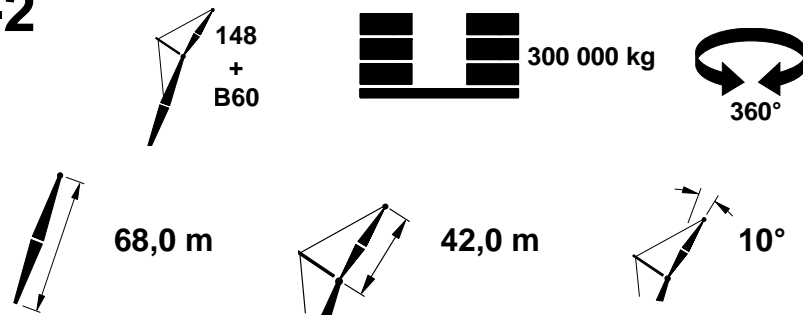
m	°	m	11,8 m			18,3 m			m
			0°	1°	2°	0°	1°	2°	
			kg	kg	kg	kg	kg	kg	
22,9	82,2	105,0	18 600			18 600			22,9
24,0	81,5	104,8	18 300			18 300			24,0
26,0	80,4	104,3	17 700	15 100	13 100	17 700	15 100	13 100	26,0
28,0	79,3	103,8	17 000	14 600	12 800	17 000	14 600	12 800	28,0
30,0	78,1	103,2	16 500	14 200	12 500	16 500	14 200	12 500	30,0
32,0	77,0	102,7	15 900	13 800	12 100	15 900	13 800	12 100	32,0
34,0	75,8	102,0	15 300	13 400	11 800	15 300	13 400	11 800	34,0
36,0	74,7	101,3	14 800	13 000	11 500	14 800	13 000	11 500	36,0
38,0	73,5	100,6	14 300	12 600	11 200	14 300	12 600	11 200	38,0
40,0	72,3	99,8	13 800	12 200	10 900	13 800	12 200	10 900	40,0
42,0	71,1	99,0	13 300	11 900	10 700	13 300	11 900	10 700	42,0
44,0	69,9	98,2	12 900	11 500	10 400	12 900	11 500	10 400	44,0
46,0	68,7	97,2	12 400	11 200	10 100	12 400	11 200	10 100	46,0
48,0	67,5	96,3	12 000	10 800	9 800	12 000	10 800	9 800	48,0
50,0	66,2	95,2	11 600	10 500	9 500	11 600	10 500	9 500	50,0
52,0	65,0	94,2	11 200	10 200	9 300	11 200	10 200	9 300	52,0
54,0	63,7	93,0	10 800	9 900	9 000	10 800	9 900	9 000	54,0
56,0	62,4	91,8	10 500	9 600	8 800	10 500	9 600	8 800	56,0
58,0	61,1	90,6	10 100	9 300	8 500	10 100	9 300	8 500	58,0
60,0	59,8	89,2	9 800	9 000	8 300	9 800	9 000	8 300	60,0
62,0	58,5	87,8	9 500	8 700	8 100	9 500	8 700	8 100	62,0
64,0	57,1	86,4	9 200	8 500	7 800	9 200	8 500	7 800	64,0
66,0	55,7	84,8	8 900	8 200	7 600	8 900	8 200	7 600	66,0
68,0	54,3	83,2	8 600	8 000	7 400	8 600	8 000	7 400	68,0
70,0	52,9	81,5	8 300	7 800	7 200	8 300	7 800	7 200	70,0
74,0	49,9	77,8	7 900	7 300	6 800	7 900	7 300	6 800	74,0
78,0	46,7	73,7	7 400	6 900	6 500	7 400	6 900	6 500	78,0
82,0	43,4	69,1	7 000	6 500	6 100	7 000	6 500	6 100	82,0
86,0	39,8	63,9	6 600	6 200	5 800	6 600	6 200	5 800	86,0
90,0	35,8	58,0	6 200	5 900	5 500	6 200	5 900	5 500	90,0
94,0	31,3	50,9	5 900	5 600	5 300	5 900	5 600	5 300	94,0
98,0	26,1	42,2	5 600	5 300	5 000	5 600	5 300	5 000	98,0
102,0	19,2	30,3	5 400	5 200	4 900	5 400	5 200	4 900	102,0

MLC650 VPC-MAX S-2



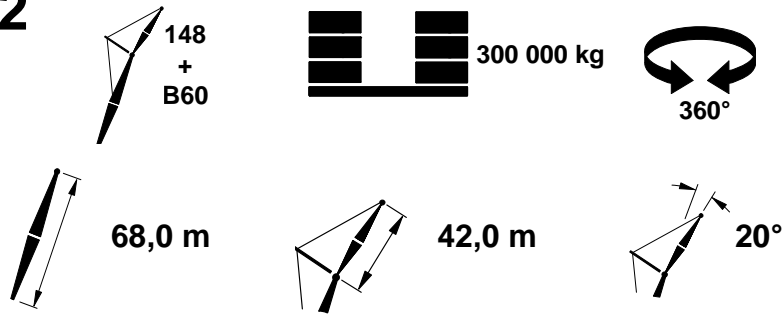
m	°	m	11,8 m			18,3 m			m
			0° kg	1° kg	2° kg	0° kg	1° kg	2° kg	
22,9									22,9
24,0									24,0
26,0									26,0
28,0									28,0
30,0	81,7	102,2	13 800			13 800			30,0
32,0	80,5	101,6	13 400	11 900	10 700	13 400	11 900	10 700	32,0
34,0	79,4	101,0	12 900	11 600	10 400	12 900	11 600	10 400	34,0
36,0	78,2	100,3	12 500	11 200	10 100	12 500	11 200	10 100	36,0
38,0	77,0	99,6	12 100	10 900	9 900	12 100	10 900	9 900	38,0
40,0	75,8	98,8	11 700	10 600	9 600	11 700	10 600	9 600	40,0
42,0	74,6	98,0	11 300	10 300	9 400	11 300	10 300	9 400	42,0
44,0	73,4	97,1	10 900	10 000	9 100	10 900	10 000	9 100	44,0
46,0	72,2	96,2	10 600	9 700	8 900	10 600	9 700	8 900	46,0
48,0	70,9	95,2	10 300	9 400	8 600	10 300	9 400	8 600	48,0
50,0	69,7	94,1	9 900	9 100	8 400	9 900	9 100	8 400	50,0
52,0	68,4	93,1	9 600	8 900	8 200	9 600	8 900	8 200	52,0
54,0	67,1	91,9	9 400	8 600	8 000	9 400	8 600	8 000	54,0
56,0	65,8	90,7	9 100	8 400	7 800	9 100	8 400	7 800	56,0
58,0	64,5	89,4	8 800	8 200	7 600	8 800	8 200	7 600	58,0
60,0	63,2	88,1	8 600	7 900	7 400	8 600	7 900	7 400	60,0
62,0	61,8	86,7	8 300	7 700	7 200	8 300	7 700	7 200	62,0
64,0	60,4	85,2	8 100	7 500	7 000	8 100	7 500	7 000	64,0
66,0	59,0	83,6	7 800	7 300	6 800	7 800	7 300	6 800	66,0
68,0	57,6	82,0	7 600	7 100	6 700	7 600	7 100	6 700	68,0
70,0	56,1	80,2	7 400	6 900	6 500	7 400	6 900	6 500	70,0
74,0	53,1	76,5	7 000	6 600	6 200	7 000	6 600	6 200	74,0
78,0	49,9	72,3	6 700	6 300	5 900	6 700	6 300	5 900	78,0
82,0	46,4	67,6	6 400	6 000	5 600	6 400	6 000	5 600	82,0
86,0	42,7	62,3	6 100	5 700	5 400	6 100	5 700	5 400	86,0
90,0	38,6	56,1	5 800	5 500	5 200	5 800	5 500	5 200	90,0
94,0	34,0	48,8	5 600	5 300	5 000	5 600	5 300	5 000	94,0
98,0	28,4	39,6	5 500	5 200	4 900	5 500	5 200	4 900	98,0
102,0									102,0

MLC650 VPC-MAX S-2



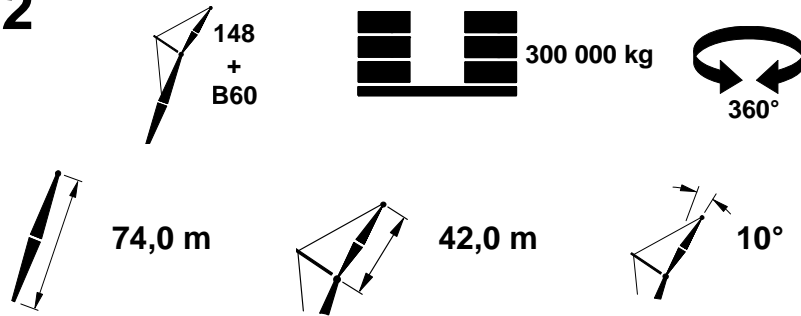
m	°	m	11,8 m			18,3 m			m
			0°	1°	2°	0°	1°	2°	
			kg	kg	kg	kg	kg	kg	
22,9	82,6	111,1	18 800			18 800			22,9
24,0	82,0	110,9	18 500			18 500			24,0
26,0	80,9	110,4	17 900	15 200	13 200	17 900	15 200	13 200	26,0
28,0	79,9	110,0	17 300	14 800	12 900	17 300	14 800	12 900	28,0
30,0	78,8	109,5	16 800	14 400	12 600	16 800	14 400	12 600	30,0
32,0	77,7	108,9	16 200	14 000	12 300	16 200	14 000	12 300	32,0
34,0	76,6	108,3	15 700	13 600	12 000	15 700	13 600	12 000	34,0
36,0	75,5	107,7	15 200	13 300	11 700	15 200	13 300	11 700	36,0
38,0	74,4	107,0	14 700	12 900	11 400	14 700	12 900	11 400	38,0
40,0	73,3	106,3	14 200	12 500	11 100	14 200	12 500	11 100	40,0
42,0	72,2	105,5	13 700	12 200	10 900	13 700	12 200	10 900	42,0
44,0	71,1	104,7	13 300	11 800	10 600	13 300	11 800	10 600	44,0
46,0	69,9	103,8	12 800	11 500	10 300	12 800	11 500	10 300	46,0
48,0	68,8	102,9	12 400	11 200	10 100	12 400	11 200	10 100	48,0
50,0	67,7	102,0	12 000	10 900	9 800	12 000	10 900	9 800	50,0
52,0	66,5	101,0	11 600	10 500	9 500	11 600	10 500	9 500	52,0
54,0	65,3	99,9	11 300	10 200	9 300	11 300	10 200	9 300	54,0
56,0	64,1	98,8	10 900	10 000	9 100	10 900	10 000	9 100	56,0
58,0	62,9	97,6	10 600	9 700	8 800	10 600	9 700	8 800	58,0
60,0	61,7	96,4	10 300	9 400	8 600	10 300	9 400	8 600	60,0
62,0	60,5	95,1	10 000	9 100	8 400	10 000	9 100	8 400	62,0
64,0	59,2	93,8	9 700	8 900	8 100	9 700	8 900	8 100	64,0
66,0	57,9	92,3	9 400	8 600	7 900	9 400	8 600	7 900	66,0
68,0	56,6	90,9	9 100	8 400	7 700	9 100	8 400	7 700	68,0
70,0	55,3	89,3	8 800	8 100	7 600	8 800	8 100	7 600	70,0
74,0	52,6	86,0	8 300	7 700	7 200	8 300	7 700	7 200	74,0
78,0	49,8	82,3	7 800	7 300	6 800	7 800	7 300	6 800	78,0
82,0	46,8	78,2	7 400	6 900	6 500	7 400	6 900	6 500	82,0
86,0	43,7	73,7	7 000	6 600	6 200	7 000	6 600	6 200	86,0
90,0	40,3	68,6	6 600	6 200	5 800	6 600	6 200	5 800	90,0
94,0	36,6	62,8	6 300	5 900	5 600	6 300	5 900	5 600	94,0
98,0	32,6	56,1	6 000	5 600	5 300	6 000	5 600	5 300	98,0
102,0	27,9	48,1	5 700	5 400	5 100	5 700	5 400	5 100	102,0
106,0	22,2	37,8	5 500	5 200	4 900	5 500	5 200	4 900	106,0

MLC650 VPC-MAX S-2



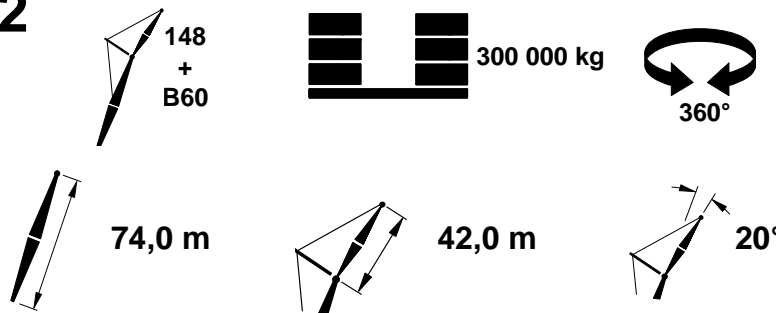
m	°	m	11,8 m			18,3 m			m
			0°	1°	2°	0°	1°	2°	
			kg	kg	kg	kg	kg	kg	
22,9									22,9
24,0									24,0
26,0									26,0
28,0									28,0
30,0	82,2	108,4	14 000			14 000			30,0
32,0	81,1	107,9	13 500	12 000		13 500	12 000		32,0
34,0	80,0	107,3	13 100	11 700	10 500	13 100	11 700	10 500	34,0
36,0	78,9	106,6	12 700	11 400	10 200	12 700	11 400	10 200	36,0
38,0	77,8	105,9	12 300	11 100	10 000	12 300	11 100	10 000	38,0
40,0	76,6	105,2	11 900	10 800	9 700	11 900	10 800	9 700	40,0
42,0	75,5	104,4	11 600	10 500	9 500	11 600	10 500	9 500	42,0
44,0	74,4	103,6	11 200	10 200	9 300	11 200	10 200	9 300	44,0
46,0	73,2	102,7	10 900	9 900	9 100	10 900	9 900	9 100	46,0
48,0	72,1	101,8	10 600	9 700	8 800	10 600	9 700	8 800	48,0
50,0	70,9	100,8	10 300	9 400	8 600	10 300	9 400	8 600	50,0
52,0	69,7	99,8	10 000	9 100	8 400	10 000	9 100	8 400	52,0
54,0	68,5	98,8	9 700	8 900	8 200	9 700	8 900	8 200	54,0
56,0	67,3	97,6	9 400	8 700	8 000	9 400	8 700	8 000	56,0
58,0	66,1	96,4	9 100	8 500	7 800	9 100	8 500	7 800	58,0
60,0	64,9	95,2	8 900	8 200	7 600	8 900	8 200	7 600	60,0
62,0	63,6	93,9	8 600	8 000	7 400	8 600	8 000	7 400	62,0
64,0	62,4	92,5	8 400	7 800	7 200	8 400	7 800	7 200	64,0
66,0	61,1	91,1	8 200	7 600	7 100	8 200	7 600	7 100	66,0
68,0	59,8	89,6	8 000	7 400	6 900	8 000	7 400	6 900	68,0
70,0	58,4	88,0	7 700	7 300	6 800	7 700	7 300	6 800	70,0
74,0	55,7	84,6	7 400	6 900	6 500	7 400	6 900	6 500	74,0
78,0	52,8	80,9	7 000	6 600	6 200	7 000	6 600	6 200	78,0
82,0	49,8	76,8	6 700	6 300	5 900	6 700	6 300	5 900	82,0
86,0	46,6	72,1	6 400	6 000	5 600	6 400	6 000	5 600	86,0
90,0	43,1	66,9	6 100	5 700	5 400	6 100	5 700	5 400	90,0
94,0	39,3	61,0	5 900	5 500	5 200	5 900	5 500	5 200	94,0
98,0	35,1	54,0	5 700	5 400	5 100	5 700	5 400	5 100	98,0
102,0	30,2	45,6	5 500	5 200	4 900	5 500	5 200	4 900	102,0
106,0									106,0

MLC650 VPC-MAX S-2



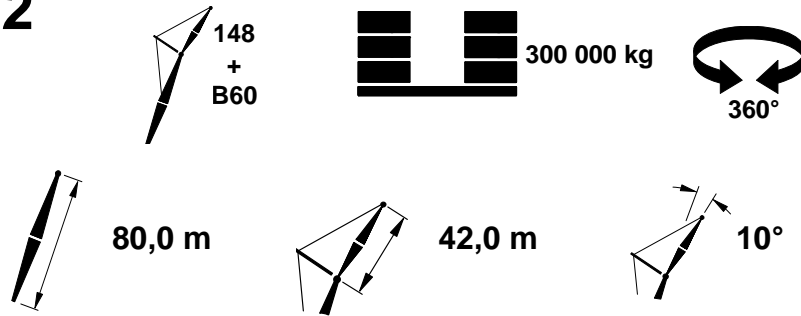
m	°	m	11,8 m			18,3 m			m
			0°	1°	2°	0°	1°	2°	
			kg	kg	kg	kg	kg	kg	
22,9	83,0	117,2	19 000			19 000			22,9
24,0	82,4	117,0	18 600			18 600			24,0
26,0	81,4	116,6	18 100	15 300		18 100	15 300		26,0
28,0	80,4	116,1	17 500	14 900	13 000	17 500	14 900	13 000	28,0
30,0	79,4	115,7	17 000	14 600	12 700	17 000	14 600	12 700	30,0
32,0	78,4	115,1	16 500	14 200	12 400	16 500	14 200	12 400	32,0
34,0	77,3	114,6	16 000	13 900	12 100	16 000	13 900	12 100	34,0
36,0	76,3	114,0	15 500	13 500	11 900	15 500	13 500	11 900	36,0
38,0	75,3	113,3	15 000	13 100	11 600	15 000	13 100	11 600	38,0
40,0	74,2	112,6	14 500	12 800	11 300	14 500	12 800	11 300	40,0
42,0	73,2	111,9	14 100	12 500	11 100	14 100	12 500	11 100	42,0
44,0	72,1	111,1	13 700	12 100	10 800	13 700	12 100	10 800	44,0
46,0	71,1	110,3	13 200	11 800	10 600	13 200	11 800	10 600	46,0
48,0	70,0	109,5	12 800	11 500	10 300	12 800	11 500	10 300	48,0
50,0	68,9	108,6	12 500	11 200	10 100	12 500	11 200	10 100	50,0
52,0	67,8	107,6	12 100	10 900	9 800	12 100	10 900	9 800	52,0
54,0	66,7	106,7	11 700	10 600	9 600	11 700	10 600	9 600	54,0
56,0	65,6	105,6	11 400	10 300	9 300	11 400	10 300	9 300	56,0
58,0	64,5	104,5	11 000	10 000	9 100	11 000	10 000	9 100	58,0
60,0	63,3	103,4	10 700	9 700	8 900	10 700	9 700	8 900	60,0
62,0	62,2	102,2	10 400	9 500	8 700	10 400	9 500	8 700	62,0
64,0	61,0	101,0	10 100	9 200	8 500	10 100	9 200	8 500	64,0
66,0	59,8	99,6	9 800	9 000	8 300	9 800	9 000	8 300	66,0
68,0	58,6	98,3	9 500	8 700	8 100	9 500	8 700	8 100	68,0
70,0	57,4	96,8	9 300	8 500	7 900	9 300	8 500	7 900	70,0
74,0	54,9	93,8	8 700	8 100	7 500	8 700	8 100	7 500	74,0
78,0	52,4	90,4	8 300	7 700	7 100	8 300	7 700	7 100	78,0
82,0	49,7	86,8	7 800	7 300	6 800	7 800	7 300	6 800	82,0
86,0	46,9	82,7	7 400	6 900	6 500	7 400	6 900	6 500	86,0
90,0	43,9	78,3	7 100	6 600	6 200	7 100	6 600	6 200	90,0
94,0	40,8	73,3	6 700	6 300	5 900	6 700	6 300	5 900	94,0
98,0	37,4	67,7	6 400	6 000	5 600	6 400	6 000	5 600	98,0
102,0	33,6	61,3	6 100	5 700	5 400	6 100	5 700	5 400	102,0
106,0	29,4	53,7	5 800	5 500	5 200	5 800	5 500	5 200	106,0
110,0	24,4	44,4	5 600	5 300	5 000	5 600	5 300	5 000	110,0
114,0	17,9	31,8	5 400	5 100	4 900	5 400	5 100	4 900	114,0

MLC650 VPC-MAX S-2



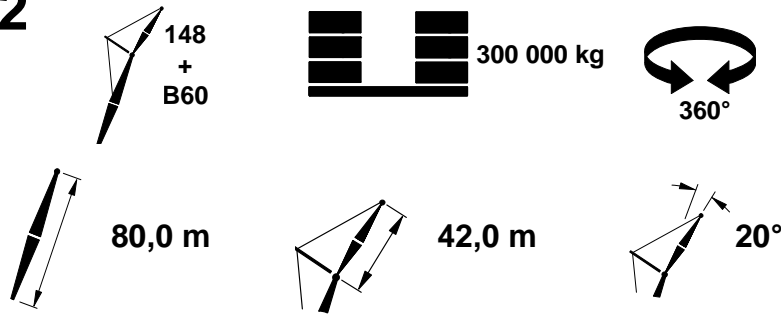
m	°	m	11,8 m			18,3 m			m
			0° kg	1° kg	2° kg	0° kg	1° kg	2° kg	
22,9									22,9
24,0									24,0
26,0									26,0
28,0									28,0
30,0									30,0
32,0	81,6	114,0	13 700	12 100		13 700	12 100		32,0
34,0	80,5	113,5	13 300	11 800	10 600	13 300	11 800	10 600	34,0
36,0	79,5	112,9	12 900	11 500	10 300	12 900	11 500	10 300	36,0
38,0	78,4	112,2	12 500	11 200	10 100	12 500	11 200	10 100	38,0
40,0	77,4	111,5	12 200	10 900	9 900	12 200	10 900	9 900	40,0
42,0	76,3	110,8	11 800	10 700	9 700	11 800	10 700	9 700	42,0
44,0	75,3	110,0	11 500	10 400	9 400	11 500	10 400	9 400	44,0
46,0	74,2	109,2	11 100	10 100	9 200	11 100	10 100	9 200	46,0
48,0	73,1	108,4	10 800	9 900	9 000	10 800	9 900	9 000	48,0
50,0	72,0	107,4	10 500	9 600	8 800	10 500	9 600	8 800	50,0
52,0	70,9	106,5	10 200	9 400	8 600	10 200	9 400	8 600	52,0
54,0	69,8	105,5	10 000	9 100	8 400	10 000	9 100	8 400	54,0
56,0	68,7	104,4	9 700	8 900	8 200	9 700	8 900	8 200	56,0
58,0	67,5	103,3	9 400	8 700	8 000	9 400	8 700	8 000	58,0
60,0	66,4	102,2	9 200	8 500	7 800	9 200	8 500	7 800	60,0
62,0	65,2	101,0	9 000	8 300	7 600	9 000	8 300	7 600	62,0
64,0	64,0	99,7	8 700	8 100	7 500	8 700	8 100	7 500	64,0
66,0	62,8	98,4	8 500	7 900	7 300	8 500	7 900	7 300	66,0
68,0	61,6	97,0	8 300	7 700	7 100	8 300	7 700	7 100	68,0
70,0	60,4	95,6	8 100	7 500	7 000	8 100	7 500	7 000	70,0
74,0	57,9	92,5	7 700	7 200	6 700	7 700	7 200	6 700	74,0
78,0	55,3	89,1	7 300	6 800	6 400	7 300	6 800	6 400	78,0
82,0	52,5	85,3	7 000	6 500	6 100	7 000	6 500	6 100	82,0
86,0	49,7	81,2	6 700	6 300	5 900	6 700	6 300	5 900	86,0
90,0	46,7	76,6	6 400	6 000	5 700	6 400	6 000	5 700	90,0
94,0	43,4	71,6	6 100	5 800	5 400	6 100	5 800	5 400	94,0
98,0	39,9	65,8	5 900	5 600	5 300	5 900	5 600	5 300	98,0
102,0	36,1	59,2	5 700	5 400	5 100	5 700	5 400	5 100	102,0
106,0	31,7	51,3	5 600	5 200	5 000	5 600	5 200	5 000	106,0
110,0									110,0
114,0									114,0

MLC650 VPC-MAX S-2



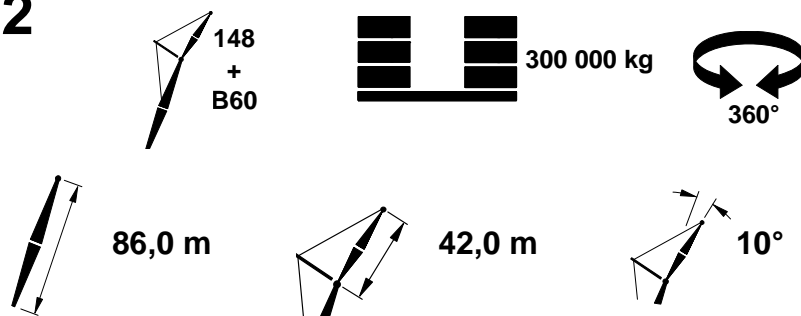
m	m	m	11,8 m			18,3 m			m
			0° kg	1° kg	2° kg	0° kg	1° kg	2° kg	
24,4	82,6	123,0	18 700			18 700			24,4
26,0	81,8	122,7	18 300	15 400		18 300	15 400		26,0
28,0	80,9	122,3	17 700	15 100		17 700	15 100		28,0
30,0	79,9	121,8	17 200	14 700	12 800	17 200	14 700	12 800	30,0
32,0	78,9	121,3	16 700	14 300	12 500	16 700	14 300	12 500	32,0
34,0	78,0	120,8	16 300	14 000	12 300	16 300	14 000	12 300	34,0
36,0	77,0	120,2	15 800	13 700	12 000	15 800	13 700	12 000	36,0
38,0	76,0	119,6	15 300	13 400	11 700	15 300	13 400	11 700	38,0
40,0	75,0	119,0	14 900	13 000	11 500	14 900	13 000	11 500	40,0
42,0	74,0	118,3	14 400	12 700	11 200	14 400	12 700	11 200	42,0
44,0	73,0	117,6	14 000	12 400	11 000	14 000	12 400	11 000	44,0
46,0	72,0	116,8	13 600	12 100	10 700	13 600	12 100	10 700	46,0
48,0	71,0	116,0	13 200	11 800	10 500	13 200	11 800	10 500	48,0
50,0	70,0	115,2	12 800	11 500	10 300	12 800	11 500	10 300	50,0
52,0	69,0	114,3	12 500	11 200	10 000	12 500	11 200	10 000	52,0
54,0	67,9	113,3	12 100	10 900	9 800	12 100	10 900	9 800	54,0
56,0	66,9	112,4	11 800	10 600	9 600	11 800	10 600	9 600	56,0
58,0	65,8	111,3	11 400	10 300	9 400	11 400	10 300	9 400	58,0
60,0	64,8	110,3	11 100	10 100	9 200	11 100	10 100	9 200	60,0
62,0	63,7	109,2	10 800	9 800	8 900	10 800	9 800	8 900	62,0
64,0	62,6	108,0	10 500	9 600	8 700	10 500	9 600	8 700	64,0
66,0	61,5	106,8	10 200	9 300	8 500	10 200	9 300	8 500	66,0
68,0	60,4	105,5	9 900	9 100	8 300	9 900	9 100	8 300	68,0
70,0	59,3	104,2	9 600	8 900	8 100	9 600	8 900	8 100	70,0
74,0	57,0	101,3	9 200	8 400	7 800	9 200	8 400	7 800	74,0
78,0	54,6	98,3	8 700	8 000	7 400	8 700	8 000	7 400	78,0
82,0	52,2	94,9	8 200	7 600	7 100	8 200	7 600	7 100	82,0
86,0	49,6	91,2	7 800	7 300	6 800	7 800	7 300	6 800	86,0
90,0	47,0	87,2	7 400	6 900	6 500	7 400	6 900	6 500	90,0
94,0	44,2	82,8	7 100	6 600	6 200	7 100	6 600	6 200	94,0
98,0	41,2	77,9	6 700	6 300	5 900	6 700	6 300	5 900	98,0
102,0	38,0	72,4	6 400	6 000	5 700	6 400	6 000	5 700	102,0
106,0	34,6	66,3	6 100	5 800	5 400	6 100	5 800	5 400	106,0
110,0	30,7	59,1	5 900	5 500	5 200	5 900	5 600	5 200	110,0
114,0	26,3	50,6	4 600	4 200	3 700	5 600	5 300	5 000	114,0
118,0	20,8	39,7				5 500	5 200	4 900	118,0

MLC650 VPC-MAX S-2



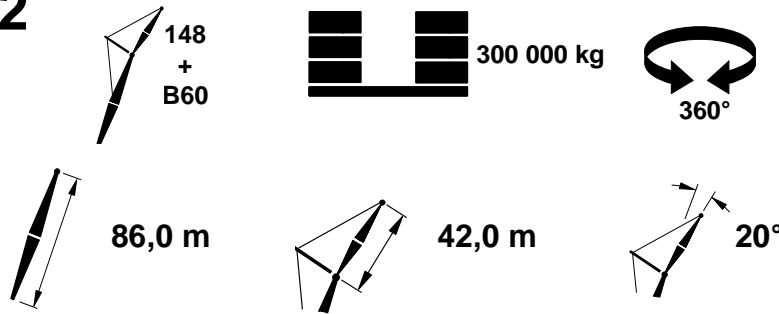
m	°	m	11,8 m			18,3 m			m
			0°	1°	2°	0°	1°	2°	
			kg	kg	kg	kg	kg	kg	
24,4									24,4
26,0									26,0
28,0									28,0
30,0									30,0
32,0	82,0	120,2	13 900	12 200		13 900	12 200		32,0
34,0	81,0	119,7	13 500	11 900		13 500	11 900		34,0
36,0	80,0	119,1	13 100	11 700	10 400	13 100	11 700	10 400	36,0
38,0	79,0	118,5	12 700	11 400	10 200	12 700	11 400	10 200	38,0
40,0	78,0	117,8	12 400	11 100	10 000	12 400	11 100	10 000	40,0
42,0	77,0	117,2	12 000	10 800	9 800	12 000	10 800	9 800	42,0
44,0	76,0	116,4	11 700	10 600	9 600	11 700	10 600	9 600	44,0
46,0	75,0	115,7	11 400	10 300	9 400	11 400	10 300	9 400	46,0
48,0	74,0	114,8	11 100	10 100	9 200	11 100	10 100	9 200	48,0
50,0	73,0	114,0	10 800	9 800	9 000	10 800	9 800	9 000	50,0
52,0	71,9	113,1	10 500	9 600	8 800	10 500	9 600	8 800	52,0
54,0	70,9	112,2	10 200	9 400	8 600	10 200	9 400	8 600	54,0
56,0	69,8	111,2	10 000	9 100	8 400	10 000	9 100	8 400	56,0
58,0	68,8	110,1	9 700	8 900	8 200	9 700	8 900	8 200	58,0
60,0	67,7	109,1	9 500	8 700	8 000	9 500	8 700	8 000	60,0
62,0	66,6	107,9	9 200	8 500	7 800	9 200	8 500	7 800	62,0
64,0	65,5	106,7	9 000	8 300	7 700	9 000	8 300	7 700	64,0
66,0	64,4	105,5	8 800	8 100	7 500	8 800	8 100	7 500	66,0
68,0	63,3	104,2	8 600	7 900	7 300	8 600	7 900	7 300	68,0
70,0	62,1	102,9	8 300	7 700	7 200	8 300	7 700	7 200	70,0
74,0	59,8	100,0	8 000	7 400	6 900	8 000	7 400	6 900	74,0
78,0	57,4	96,9	7 600	7 100	6 600	7 600	7 100	6 600	78,0
82,0	54,9	93,5	7 300	6 800	6 400	7 300	6 800	6 400	82,0
86,0	52,3	89,8	7 000	6 500	6 100	7 000	6 500	6 100	86,0
90,0	49,6	85,7	6 600	6 300	5 900	6 600	6 300	5 900	90,0
94,0	46,7	81,2	6 400	6 000	5 600	6 400	6 000	5 600	94,0
98,0	43,7	76,2	6 200	5 800	5 400	6 200	5 800	5 400	98,0
102,0	40,4	70,6	5 900	5 600	5 300	5 900	5 600	5 300	102,0
106,0	36,9	64,2	5 700	5 400	5 100	5 700	5 400	5 100	106,0
110,0	32,9	56,7	5 600	5 300	5 000	5 600	5 300	5 000	110,0
114,0	28,2	47,7	5 200	4 700	4 300	5 500	5 200	4 900	114,0
118,0									118,0

MLC650 VPC-MAX S-2



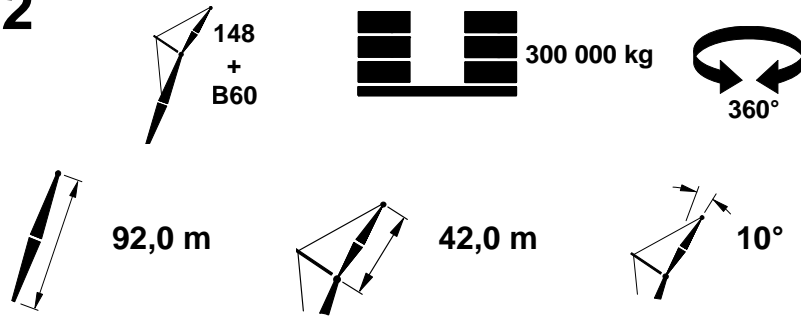
m	m	m	11,8 m			18,3 m			m
			0°	1°	2°	0°	1°	2°	
			kg	kg	kg	kg	kg	kg	
24,4	83,0	129,1	18 800			18 800			24,4
26,0	82,2	128,8	18 400			18 400			26,0
28,0	81,3	128,4	17 900	15 200		17 900	15 200		28,0
30,0	80,4	128,0	17 400	14 800	12 800	17 400	14 800	12 800	30,0
32,0	79,5	127,5	17 000	14 500	12 600	17 000	14 500	12 600	32,0
34,0	78,6	127,0	16 500	14 100	12 300	16 500	14 100	12 300	34,0
36,0	77,6	126,5	16 100	13 800	12 100	16 100	13 800	12 100	36,0
38,0	76,7	125,9	15 600	13 500	11 800	15 600	13 500	11 800	38,0
40,0	75,8	125,3	15 200	13 200	11 600	15 200	13 200	11 600	40,0
42,0	74,8	124,6	14 800	12 900	11 400	14 800	12 900	11 400	42,0
44,0	73,9	123,9	14 400	12 600	11 100	14 400	12 600	11 100	44,0
46,0	72,9	123,2	14 000	12 300	10 900	14 000	12 300	10 900	46,0
48,0	72,0	122,5	13 600	12 000	10 700	13 600	12 000	10 700	48,0
50,0	71,0	121,7	13 200	11 700	10 400	13 200	11 700	10 400	50,0
52,0	70,0	120,8	12 800	11 400	10 200	12 800	11 400	10 200	52,0
54,0	69,1	119,9	12 500	11 200	10 000	12 500	11 200	10 000	54,0
56,0	68,1	119,0	12 100	10 900	9 800	12 100	10 900	9 800	56,0
58,0	67,1	118,1	11 800	10 600	9 600	11 800	10 600	9 600	58,0
60,0	66,1	117,1	11 500	10 400	9 400	11 500	10 400	9 400	60,0
62,0	65,1	116,0	11 200	10 100	9 200	11 200	10 100	9 200	62,0
64,0	64,0	114,9	10 900	9 900	9 000	10 900	9 900	9 000	64,0
66,0	63,0	113,8	10 600	9 600	8 800	10 600	9 600	8 800	66,0
68,0	62,0	112,6	10 300	9 400	8 600	10 300	9 400	8 600	68,0
70,0	60,9	111,3	10 100	9 200	8 400	10 100	9 200	8 400	70,0
74,0	58,8	108,7	9 600	8 800	8 000	9 600	8 800	8 000	74,0
78,0	56,6	105,8	9 100	8 400	7 700	9 100	8 400	7 700	78,0
82,0	54,3	102,7	8 600	8 000	7 400	8 600	8 000	7 400	82,0
86,0	52,0	99,4	8 200	7 600	7 100	8 200	7 600	7 100	86,0
90,0	49,6	95,7	7 800	7 300	6 700	7 800	7 300	6 700	90,0
94,0	47,0	91,7	7 400	6 900	6 500	7 400	6 900	6 500	94,0
98,0	44,4	87,3	7 100	6 600	6 200	7 100	6 600	6 200	98,0
102,0	41,6	82,5	6 800	6 300	5 900	6 800	6 300	5 900	102,0
106,0	38,6	77,2	6 500	6 100	5 700	6 500	6 100	5 700	106,0
110,0	35,4	71,2	6 200	5 800	5 400	6 200	5 800	5 500	110,0
114,0	31,8	64,4	4 900	4 300	3 800	5 900	5 600	5 300	114,0
118,0	27,8	56,4				5 700	5 400	5 100	118,0
122,0	23,1	46,6				5 500	5 200	4 900	122,0
126,0	16,9	33,2				5 400	5 100	4 800	126,0

MLC650 VPC-MAX S-2



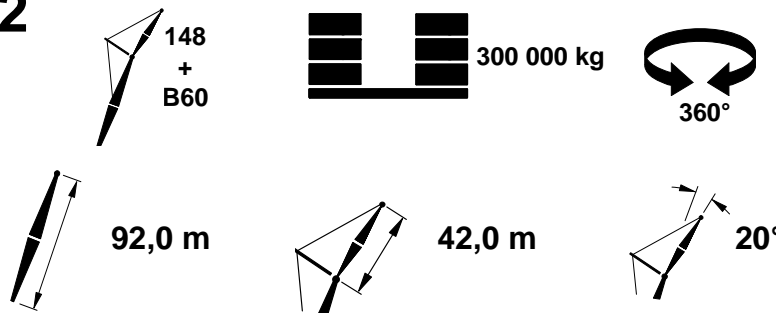
m	°	m	11,8 m			18,3 m			m
			0° kg	1° kg	2° kg	0° kg	1° kg	2° kg	
24,4									24,4
26,0									26,0
28,0									28,0
30,0									30,0
32,0	82,4	126,4	14 000			14 000			32,0
34,0	81,4	125,9	13 600	12 000		13 600	12 000		34,0
36,0	80,5	125,3	13 200	11 800	10 500	13 200	11 800	10 500	36,0
38,0	79,6	124,7	12 900	11 500	10 300	12 900	11 500	10 300	38,0
40,0	78,6	124,1	12 600	11 200	10 100	12 600	11 200	10 100	40,0
42,0	77,7	123,5	12 200	11 000	9 900	12 200	11 000	9 900	42,0
44,0	76,7	122,8	11 900	10 700	9 700	11 900	10 700	9 700	44,0
46,0	75,8	122,0	11 600	10 500	9 500	11 600	10 500	9 500	46,0
48,0	74,8	121,3	11 300	10 200	9 300	11 300	10 200	9 300	48,0
50,0	73,8	120,5	11 000	10 000	9 100	11 000	10 000	9 100	50,0
52,0	72,8	119,6	10 800	9 800	8 900	10 800	9 800	8 900	52,0
54,0	71,9	118,7	10 500	9 500	8 700	10 500	9 500	8 700	54,0
56,0	70,9	117,8	10 200	9 300	8 500	10 200	9 300	8 500	56,0
58,0	69,9	116,8	10 000	9 100	8 400	10 000	9 100	8 400	58,0
60,0	68,8	115,8	9 700	8 900	8 200	9 700	8 900	8 200	60,0
62,0	67,8	114,8	9 500	8 700	8 000	9 500	8 700	8 000	62,0
64,0	66,8	113,7	9 300	8 500	7 800	9 300	8 500	7 800	64,0
66,0	65,7	112,5	9 000	8 300	7 700	9 000	8 300	7 700	66,0
68,0	64,7	111,3	8 800	8 200	7 600	8 800	8 200	7 600	68,0
70,0	63,6	110,0	8 600	8 000	7 400	8 600	8 000	7 400	70,0
74,0	61,5	107,4	8 200	7 600	7 100	8 200	7 600	7 100	74,0
78,0	59,2	104,5	7 900	7 300	6 800	7 900	7 300	6 800	78,0
82,0	56,9	101,3	7 500	7 000	6 600	7 500	7 000	6 600	82,0
86,0	54,6	97,9	7 200	6 800	6 300	7 200	6 800	6 300	86,0
90,0	52,1	94,2	6 900	6 500	6 100	6 900	6 500	6 100	90,0
94,0	49,5	90,1	6 700	6 200	5 900	6 700	6 200	5 900	94,0
98,0	46,8	85,7	6 400	6 000	5 700	6 400	6 000	5 700	98,0
102,0	44,0	80,8	6 200	5 800	5 500	6 200	5 800	5 500	102,0
106,0	40,9	75,3	6 000	5 600	5 300	6 000	5 600	5 300	106,0
110,0	37,6	69,1	5 800	5 500	5 200	5 800	5 500	5 200	110,0
114,0	33,9	62,0	5 600	5 100	4 600	5 600	5 300	5 000	114,0
118,0	29,7	53,7	3 800			5 500	5 200	4 900	118,0
122,0									122,0
126,0									126,0

MLC650 VPC-MAX S-2



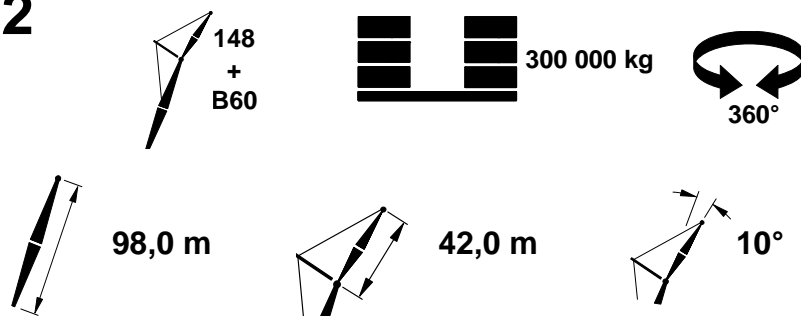
m	°	m	11,8 m			18,3 m			m
			0°	1°	2°	0°	1°	2°	
			kg	kg	kg	kg	kg	kg	
25,9	82,6	134,9	18 500			18 500			25,9
26,0	82,6	134,9	18 500			18 500			26,0
28,0	81,7	134,5	18 100	15 200		18 100	15 200		28,0
30,0	80,8	134,1	17 600	14 900		17 600	14 900		30,0
32,0	80,0	133,6	17 200	14 600	12 600	17 200	14 600	12 600	32,0
34,0	79,1	133,2	16 700	14 300	12 400	16 700	14 300	12 400	34,0
36,0	78,2	132,6	16 300	14 000	12 200	16 300	14 000	12 200	36,0
38,0	77,3	132,1	15 800	13 700	11 900	15 800	13 700	11 900	38,0
40,0	76,4	131,5	15 500	13 400	11 700	15 500	13 400	11 700	40,0
42,0	75,5	130,9	15 000	13 100	11 500	15 000	13 100	11 500	42,0
44,0	74,6	130,2	14 600	12 800	11 200	14 600	12 800	11 200	44,0
46,0	73,7	129,6	14 300	12 500	11 000	14 300	12 500	11 000	46,0
48,0	72,8	128,8	13 900	12 200	10 800	13 900	12 200	10 800	48,0
50,0	71,9	128,1	13 500	11 900	10 600	13 500	11 900	10 600	50,0
52,0	71,0	127,3	13 200	11 700	10 400	13 200	11 700	10 400	52,0
54,0	70,1	126,5	12 800	11 400	10 200	12 800	11 400	10 200	54,0
56,0	69,1	125,6	12 500	11 200	10 000	12 500	11 200	10 000	56,0
58,0	68,2	124,7	12 200	10 900	9 800	12 200	10 900	9 800	58,0
60,0	67,2	123,7	11 900	10 600	9 600	11 900	10 600	9 600	60,0
62,0	66,3	122,7	11 600	10 400	9 400	11 600	10 400	9 400	62,0
64,0	65,3	121,7	11 300	10 200	9 200	11 300	10 200	9 200	64,0
66,0	64,3	120,6	11 000	9 900	9 000	11 000	9 900	9 000	66,0
68,0	63,4	119,5	10 700	9 700	8 800	10 700	9 700	8 800	68,0
70,0	62,4	118,3	10 400	9 500	8 600	10 400	9 500	8 600	70,0
74,0	60,4	115,9	9 900	9 100	8 300	9 900	9 100	8 300	74,0
78,0	58,3	113,2	9 400	8 700	7 900	9 400	8 700	7 900	78,0
82,0	56,2	110,3	9 000	8 300	7 600	9 000	8 300	7 600	82,0
86,0	54,0	107,2	8 600	7 900	7 300	8 600	7 900	7 300	86,0
90,0	51,8	103,8	8 200	7 600	7 000	8 200	7 600	7 000	90,0
94,0	49,5	100,1	7 800	7 300	6 700	7 800	7 300	6 700	94,0
98,0	47,1	96,2	7 500	6 900	6 500	7 500	6 900	6 500	98,0
102,0	44,5	91,8	7 100	6 600	6 200	7 100	6 600	6 200	102,0
106,0	41,9	87,1	6 800	6 400	5 800	6 800	6 400	6 000	106,0
110,0	39,1	81,8	5 500	4 700	4 000	6 500	6 100	5 700	110,0
114,0	36,0	76,0	3 500			6 300	5 900	5 500	114,0
118,0	32,8	69,4				6 000	5 700	5 300	118,0
122,0	29,1	61,9				5 800	5 400	5 100	122,0
126,0	24,9	52,8				5 600	5 300	5 000	126,0
130,0	19,7	41,3				5 500	5 100	4 900	130,0

MLC650 VPC-MAX S-2



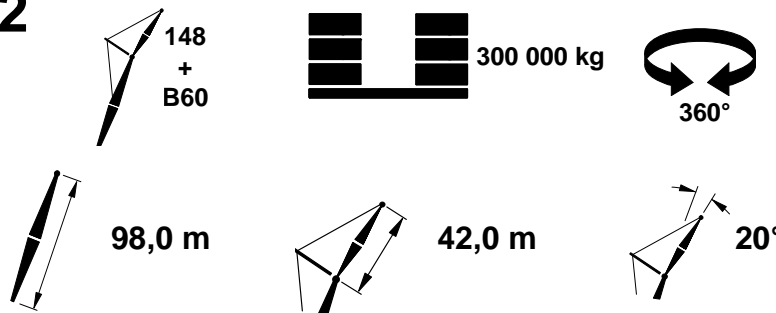
m	°	m	11,8 m			18,3 m			m
			0°	1°	2°	0°	1°	2°	
			kg	kg	kg	kg	kg	kg	
25,9									25,9
26,0									26,0
28,0									28,0
30,0									30,0
32,0	82,7	132,5	14 100			14 100			32,0
34,0	81,8	132,0	13 700			13 700			34,0
36,0	81,0	131,5	13 400	11 800		13 400	11 800		36,0
38,0	80,1	130,9	13 100	11 600	10 300	13 100	11 600	10 300	38,0
40,0	79,2	130,3	12 700	11 300	10 100	12 700	11 300	10 100	40,0
42,0	78,3	129,7	12 400	11 100	10 000	12 400	11 100	10 000	42,0
44,0	77,3	129,1	12 100	10 900	9 800	12 100	10 900	9 800	44,0
46,0	76,4	128,4	11 800	10 600	9 600	11 800	10 600	9 600	46,0
48,0	75,5	127,6	11 500	10 400	9 400	11 500	10 400	9 400	48,0
50,0	74,6	126,9	11 200	10 200	9 200	11 200	10 200	9 200	50,0
52,0	73,7	126,1	11 000	10 000	9 000	11 000	10 000	9 000	52,0
54,0	72,7	125,2	10 700	9 700	8 900	10 700	9 700	8 900	54,0
56,0	71,8	124,4	10 500	9 500	8 700	10 500	9 500	8 700	56,0
58,0	70,8	123,4	10 200	9 300	8 500	10 200	9 300	8 500	58,0
60,0	69,9	122,5	10 000	9 100	8 300	10 000	9 100	8 300	60,0
62,0	68,9	121,5	9 700	8 900	8 200	9 700	8 900	8 200	62,0
64,0	67,9	120,4	9 500	8 700	8 000	9 500	8 700	8 000	64,0
66,0	67,0	119,3	9 300	8 600	7 900	9 300	8 600	7 900	66,0
68,0	66,0	118,2	9 100	8 400	7 700	9 100	8 400	7 700	68,0
70,0	65,0	117,0	8 900	8 200	7 600	8 900	8 200	7 600	70,0
74,0	62,9	114,5	8 500	7 900	7 300	8 500	7 900	7 300	74,0
78,0	60,9	111,8	8 100	7 600	7 000	8 100	7 600	7 000	78,0
82,0	58,7	108,9	7 800	7 300	6 800	7 800	7 300	6 800	82,0
86,0	56,5	105,7	7 500	7 000	6 500	7 500	7 000	6 500	86,0
90,0	54,3	102,3	7 200	6 700	6 300	7 200	6 700	6 300	90,0
94,0	51,9	98,6	6 900	6 500	6 000	6 900	6 500	6 000	94,0
98,0	49,4	94,5	6 700	6 200	5 900	6 700	6 200	5 900	98,0
102,0	46,9	90,1	6 400	6 000	5 600	6 400	6 000	5 600	102,0
106,0	44,2	85,3	6 200	5 800	5 500	6 200	5 800	5 500	106,0
110,0	41,3	79,9	6 000	5 600	5 200	6 000	5 600	5 300	110,0
114,0	38,2	73,9	4 700	4 000	3 300	5 800	5 500	5 200	114,0
118,0	34,8	67,1				5 700	5 300	5 000	118,0
122,0	31,0	59,3				5 500	5 200	4 900	122,0
126,0	26,5	49,7				5 400	5 100	4 900	126,0
130,0									130,0

MLC650 VPC-MAX S-2



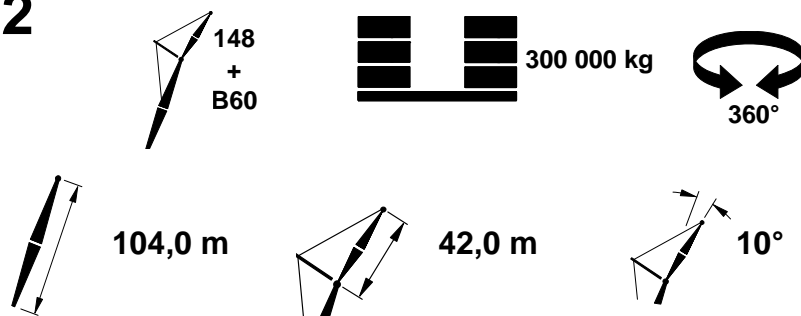
m	°	m	11,8 m			18,3 m			m
			0°	1°	2°	0°	1°	2°	
			kg	kg	kg	kg	kg	kg	
25,9	82,9	141,0	18 600			18 600			25,9
26,0	82,9	141,0	18 600			18 600			26,0
28,0	82,1	140,6	18 200			18 200			28,0
30,0	81,2	140,2	17 700	14 900		17 700	14 900		30,0
32,0	80,4	139,8	17 300	14 600	12 600	17 300	14 600	12 600	32,0
34,0	79,6	139,3	16 900	14 300	12 400	16 900	14 300	12 400	34,0
36,0	78,7	138,8	16 500	14 000	12 200	16 500	14 000	12 200	36,0
38,0	77,9	138,3	16 100	13 700	12 000	16 100	13 700	12 000	38,0
40,0	77,0	137,8	15 700	13 500	11 800	15 700	13 500	11 800	40,0
42,0	76,2	137,2	15 300	13 200	11 600	15 300	13 200	11 600	42,0
44,0	75,3	136,5	14 900	13 000	11 400	14 900	13 000	11 400	44,0
46,0	74,5	135,9	14 500	12 700	11 100	14 500	12 700	11 100	46,0
48,0	73,6	135,2	14 200	12 400	10 900	14 200	12 400	10 900	48,0
50,0	72,7	134,5	13 800	12 100	10 700	13 800	12 100	10 700	50,0
52,0	71,8	133,7	13 500	11 900	10 500	13 500	11 900	10 500	52,0
54,0	71,0	132,9	13 200	11 600	10 300	13 200	11 600	10 300	54,0
56,0	70,1	132,1	12 800	11 400	10 100	12 800	11 400	10 100	56,0
58,0	69,2	131,3	12 500	11 100	10 000	12 500	11 100	10 000	58,0
60,0	68,3	130,4	12 200	10 900	9 800	12 200	10 900	9 800	60,0
62,0	67,4	129,4	11 900	10 700	9 600	11 900	10 700	9 600	62,0
64,0	66,5	128,4	11 600	10 400	9 400	11 600	10 400	9 400	64,0
66,0	65,6	127,4	11 300	10 200	9 200	11 300	10 200	9 200	66,0
68,0	64,6	126,4	11 100	10 000	9 000	11 100	10 000	9 000	68,0
70,0	63,7	125,3	10 800	9 800	8 900	10 800	9 800	8 900	70,0
74,0	61,8	122,9	10 300	9 300	8 500	10 300	9 300	8 500	74,0
78,0	59,9	120,4	9 800	9 000	8 200	9 800	9 000	8 200	78,0
82,0	57,9	117,7	9 400	8 600	7 900	9 400	8 600	7 900	82,0
86,0	55,9	114,8	8 900	8 200	7 500	8 900	8 200	7 500	86,0
90,0	53,8	111,7	8 500	7 900	7 300	8 500	7 900	7 300	90,0
94,0	51,6	108,3	8 100	7 500	7 000	8 100	7 500	7 000	94,0
98,0	49,4	104,6	7 800	7 200	6 700	7 800	7 200	6 700	98,0
102,0	47,1	100,7	7 500	6 500	5 500	7 500	6 900	6 400	102,0
106,0	44,7	96,4	5 300	4 400	3 600	7 200	6 700	6 200	106,0
110,0	42,2	91,7				6 900	6 400	6 000	110,0
114,0	39,5	86,5				6 600	6 200	5 800	114,0
118,0	36,7	80,8				6 300	5 900	5 500	118,0
122,0	33,6	74,5				6 100	5 700	5 400	122,0
126,0	30,2	67,3				5 900	5 500	5 200	126,0
130,0	26,4	58,8				5 700	5 300	5 000	130,0
134,0	21,9	48,5				5 500	5 200	4 900	134,0

MLC650 VPC-MAX S-2



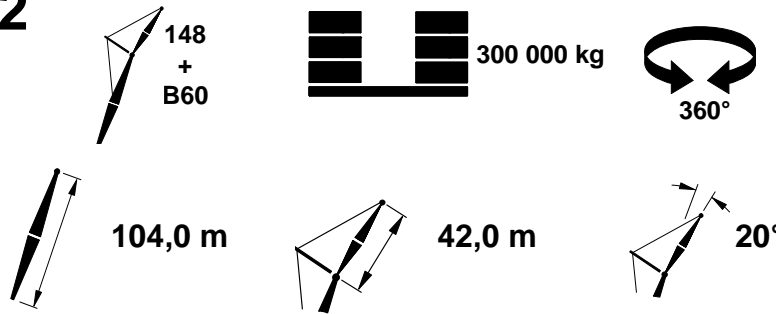
m	°	m	11,8 m			18,3 m			m
			0° kg	1° kg	2° kg	0° kg	1° kg	2° kg	
25,9									25,9
26,0									26,0
28,0									28,0
30,0									30,0
32,0									32,0
34,0	82,2	138,2	13 800			13 800			34,0
36,0	81,4	137,7	13 500	11 900		13 500	11 900		36,0
38,0	80,5	137,1	13 200	11 700		13 200	11 700		38,0
40,0	79,6	136,6	12 900	11 400	10 200	12 900	11 400	10 200	40,0
42,0	78,8	136,0	12 600	11 200	10 000	12 600	11 200	10 000	42,0
44,0	77,9	135,3	12 300	11 000	9 800	12 300	11 000	9 800	44,0
46,0	77,1	134,7	12 000	10 700	9 600	12 000	10 700	9 600	46,0
48,0	76,2	134,0	11 700	10 500	9 500	11 700	10 500	9 500	48,0
50,0	75,3	133,3	11 400	10 300	9 300	11 400	10 300	9 300	50,0
52,0	74,4	132,5	11 200	10 100	9 100	11 200	10 100	9 100	52,0
54,0	73,5	131,7	10 900	9 900	9 000	10 900	9 900	9 000	54,0
56,0	72,6	130,9	10 700	9 700	8 800	10 700	9 700	8 800	56,0
58,0	71,7	130,0	10 400	9 500	8 600	10 400	9 500	8 600	58,0
60,0	70,8	129,1	10 200	9 300	8 500	10 200	9 300	8 500	60,0
62,0	69,9	128,1	10 000	9 100	8 300	10 000	9 100	8 300	62,0
64,0	69,0	127,2	9 800	8 900	8 100	9 800	8 900	8 100	64,0
66,0	68,1	126,1	9 500	8 700	8 000	9 500	8 700	8 000	66,0
68,0	67,1	125,1	9 300	8 600	7 900	9 300	8 600	7 900	68,0
70,0	66,2	123,9	9 100	8 400	7 700	9 100	8 400	7 700	70,0
74,0	64,3	121,6	8 800	8 100	7 400	8 800	8 100	7 400	74,0
78,0	62,3	119,1	8 400	7 800	7 200	8 400	7 800	7 200	78,0
82,0	60,3	116,3	8 100	7 500	6 900	8 100	7 500	6 900	82,0
86,0	58,3	113,4	7 700	7 200	6 700	7 700	7 200	6 700	86,0
90,0	56,2	110,2	7 400	6 900	6 400	7 400	6 900	6 400	90,0
94,0	54,0	106,7	7 100	6 700	6 200	7 100	6 700	6 200	94,0
98,0	51,7	103,0	6 900	6 500	6 000	6 900	6 500	6 000	98,0
102,0	49,4	99,0	6 700	6 200	5 800	6 700	6 200	5 800	102,0
106,0	46,9	94,6	6 400	5 800	5 100	6 400	6 000	5 700	106,0
110,0	44,4	89,8	4 800	3 900		6 200	5 800	5 500	110,0
114,0	41,6	84,6				6 000	5 700	5 300	114,0
118,0	38,7	78,8				5 800	5 500	5 200	118,0
122,0	35,6	72,2				5 700	5 300	5 000	122,0
126,0	32,1	64,7				5 600	5 300	4 900	126,0
130,0	28,1	55,9				5 400	5 200	4 900	130,0
134,0									134,0

MLC650 VPC-MAX S-2



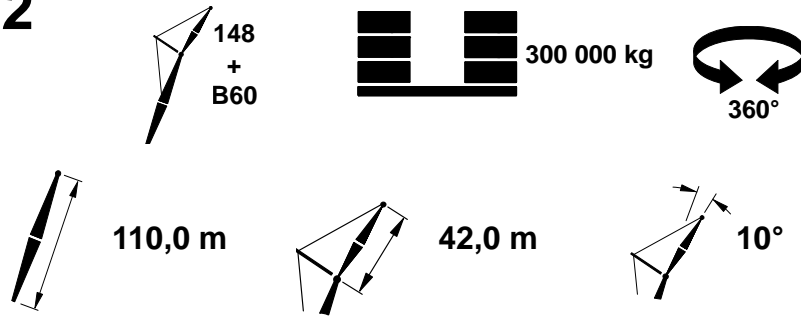
m	°	m	11,8 m			18,3 m			m
			0°	1°	2°	0°	1°	2°	
			kg	kg	kg	kg	kg	kg	
27,4	82,6	146,8	18 300			18 300			27,4
28,0	82,4	146,7	18 200			18 200			28,0
30,0	81,6	146,3	17 800			17 800			30,0
32,0	80,8	145,9	17 400	14 700	12 600	17 400	14 700	12 600	32,0
34,0	80,0	145,5	17 100	14 400	12 400	17 100	14 400	12 400	34,0
36,0	79,2	145,0	16 600	14 100	12 200	16 600	14 100	12 200	36,0
38,0	78,4	144,5	16 300	13 900	12 000	16 300	13 900	12 000	38,0
40,0	77,6	144,0	15 900	13 600	11 800	15 900	13 600	11 800	40,0
42,0	76,8	143,4	15 500	13 300	11 600	15 500	13 300	11 600	42,0
44,0	75,9	142,8	15 200	13 100	11 400	15 200	13 100	11 400	44,0
46,0	75,1	142,2	14 800	12 800	11 200	14 800	12 800	11 200	46,0
48,0	74,3	141,5	14 400	12 600	11 000	14 400	12 600	11 000	48,0
50,0	73,5	140,9	14 100	12 300	10 800	14 100	12 300	10 800	50,0
52,0	72,6	140,1	13 800	12 100	10 600	13 800	12 100	10 600	52,0
54,0	71,8	139,4	13 400	11 800	10 500	13 400	11 800	10 500	54,0
56,0	70,9	138,6	13 100	11 600	10 300	13 100	11 600	10 300	56,0
58,0	70,1	137,8	12 800	11 400	10 100	12 800	11 400	10 100	58,0
60,0	69,2	136,9	12 500	11 100	9 900	12 500	11 100	9 900	60,0
62,0	68,4	136,0	12 200	10 900	9 700	12 200	10 900	9 700	62,0
64,0	67,5	135,1	11 900	10 700	9 600	11 900	10 700	9 600	64,0
66,0	66,6	134,1	11 700	10 400	9 400	11 700	10 400	9 400	66,0
68,0	65,8	133,1	11 400	10 200	9 200	11 400	10 200	9 200	68,0
70,0	64,9	132,1	11 100	10 000	9 000	11 100	10 000	9 000	70,0
74,0	63,1	129,9	10 600	9 600	8 700	10 600	9 600	8 700	74,0
78,0	61,3	127,5	10 200	9 200	8 400	10 200	9 200	8 400	78,0
82,0	59,4	125,0	9 700	8 800	8 100	9 700	8 800	8 100	82,0
86,0	57,5	122,2	9 300	8 500	7 800	9 300	8 500	7 800	86,0
90,0	55,6	119,3	8 900	8 200	7 500	8 900	8 200	7 500	90,0
94,0	53,6	116,1	8 500	7 800	7 200	8 500	7 800	7 200	94,0
98,0	51,5	112,7	8 100	7 500	7 000	8 100	7 500	7 000	98,0
102,0	49,4	109,1	7 800	7 200	6 400	7 800	7 200	6 700	102,0
106,0	47,2	105,1	6 400	5 300	4 400	7 500	7 000	6 500	106,0
110,0	44,9	100,9	4 200			7 200	6 700	6 200	110,0
114,0	42,5	96,2				6 900	6 400	6 000	114,0
118,0	39,9	91,2				6 600	6 200	5 800	118,0
122,0	37,3	85,6				6 400	6 000	5 600	122,0
126,0	34,4	79,5				6 100	5 800	5 400	126,0
130,0	31,2	72,5				5 900	5 600	5 200	130,0
134,0	27,7	64,6				5 700	5 400	5 100	134,0
138,0	23,7	55,1				5 600	5 200	4 900	138,0
142,0	18,7	43,0				5 400	5 100	4 900	142,0

MLC650 VPC-MAX S-2



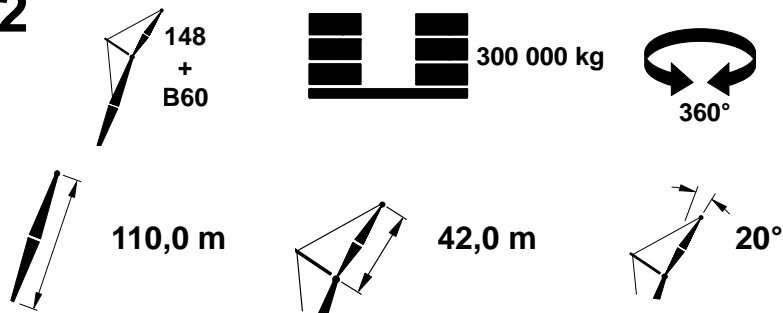
m	°	m	11,8 m			18,3 m			m
			0°	1°	2°	0°	1°	2°	
			kg	kg	kg	kg	kg	kg	
27,4									27,4
28,0									28,0
30,0									30,0
32,0									32,0
34,0	82,5	144,3	13 900			13 900			34,0
36,0	81,7	143,8	13 600			13 600			36,0
38,0	80,9	143,3	13 300	11 700		13 300	11 700		38,0
40,0	80,1	142,8	13 000	11 500	10 200	13 000	11 500	10 200	40,0
42,0	79,3	142,2	12 700	11 300	10 000	12 700	11 300	10 000	42,0
44,0	78,4	141,6	12 400	11 000	9 900	12 400	11 000	9 900	44,0
46,0	77,6	141,0	12 200	10 900	9 700	12 200	10 900	9 700	46,0
48,0	76,8	140,3	11 900	10 600	9 500	11 900	10 600	9 500	48,0
50,0	75,9	139,6	11 600	10 400	9 400	11 600	10 400	9 400	50,0
52,0	75,1	138,9	11 400	10 200	9 200	11 400	10 200	9 200	52,0
54,0	74,3	138,1	11 100	10 000	9 000	11 100	10 000	9 000	54,0
56,0	73,4	137,3	10 900	9 800	8 900	10 900	9 800	8 900	56,0
58,0	72,5	136,5	10 700	9 600	8 700	10 700	9 600	8 700	58,0
60,0	71,7	135,7	10 400	9 500	8 600	10 400	9 500	8 600	60,0
62,0	70,8	134,8	10 200	9 300	8 400	10 200	9 300	8 400	62,0
64,0	69,9	133,8	10 000	9 100	8 300	10 000	9 100	8 300	64,0
66,0	69,1	132,8	9 800	8 900	8 100	9 800	8 900	8 100	66,0
68,0	68,2	131,8	9 600	8 800	8 000	9 600	8 800	8 000	68,0
70,0	67,3	130,8	9 400	8 600	7 900	9 400	8 600	7 900	70,0
74,0	65,5	128,5	9 000	8 300	7 600	9 000	8 300	7 600	74,0
78,0	63,6	126,1	8 700	8 000	7 300	8 700	8 000	7 300	78,0
82,0	61,7	123,6	8 300	7 700	7 100	8 300	7 700	7 100	82,0
86,0	59,8	120,8	8 000	7 400	6 900	8 000	7 400	6 900	86,0
90,0	57,8	117,8	7 700	7 100	6 600	7 700	7 100	6 600	90,0
94,0	55,8	114,6	7 400	6 900	6 400	7 400	6 900	6 400	94,0
98,0	53,7	111,2	7 100	6 700	6 200	7 100	6 700	6 200	98,0
102,0	51,6	107,5	6 900	6 400	6 000	6 900	6 400	6 000	102,0
106,0	49,3	103,5	6 600	6 200	5 800	6 600	6 200	5 800	106,0
110,0	47,0	99,1	5 900	4 900		6 400	6 000	5 600	110,0
114,0	44,6	94,4	3 700			6 200	5 800	5 500	114,0
118,0	42,0	89,2				6 000	5 700	5 300	118,0
122,0	39,2	83,6				5 900	5 500	5 200	122,0
126,0	36,3	77,2				5 700	5 400	5 100	126,0
130,0	33,0	70,0				5 600	5 300	5 000	130,0
134,0	29,4	61,7				5 500	5 200	4 900	134,0
138,0									138,0
142,0									142,0

MLC650 VPC-MAX S-2



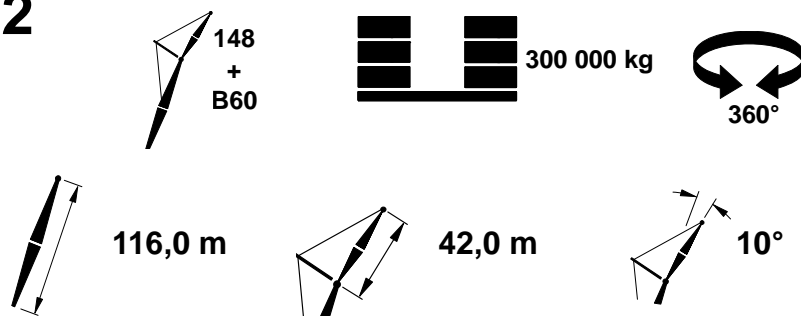
m	m	m	11,8 m			18,3 m			m
			0°	1°	2°	0°	1°	2°	
			kg	kg	kg	kg	kg	kg	
27,4	82,9	152,9	18 400			18 400			27,4
28,0	82,7	152,8	18 300			18 300			28,0
30,0	81,9	152,4	17 900			17 900			30,0
32,0	81,2	152,1	17 500	14 700		17 500	14 700		32,0
34,0	80,4	151,6	17 100	14 400	12 300	17 100	14 400	12 300	34,0
36,0	79,6	151,2	16 800	14 100	12 200	16 800	14 100	12 200	36,0
38,0	78,9	150,7	16 400	13 900	12 000	16 400	13 900	12 000	38,0
40,0	78,1	150,2	16 000	13 600	11 800	16 000	13 600	11 800	40,0
42,0	77,3	149,7	15 700	13 400	11 600	15 700	13 400	11 600	42,0
44,0	76,5	149,1	15 300	13 100	11 500	15 300	13 100	11 500	44,0
46,0	75,7	148,5	15 000	12 900	11 300	15 000	12 900	11 300	46,0
48,0	74,9	147,9	14 600	12 700	11 100	14 600	12 700	11 100	48,0
50,0	74,1	147,2	14 300	12 400	10 900	14 300	12 400	10 900	50,0
52,0	73,3	146,5	14 000	12 200	10 700	14 000	12 200	10 700	52,0
54,0	72,5	145,8	13 700	12 000	10 500	13 700	12 000	10 500	54,0
56,0	71,7	145,0	13 300	11 700	10 300	13 300	11 700	10 300	56,0
58,0	70,9	144,3	13 100	11 500	10 200	13 100	11 500	10 200	58,0
60,0	70,1	143,4	12 800	11 300	10 000	12 800	11 300	10 000	60,0
62,0	69,3	142,6	12 500	11 100	9 800	12 500	11 100	9 800	62,0
64,0	68,5	141,7	12 200	10 800	9 700	12 200	10 800	9 700	64,0
66,0	67,6	140,8	11 900	10 600	9 500	11 900	10 600	9 500	66,0
68,0	66,8	139,8	11 600	10 400	9 300	11 600	10 400	9 300	68,0
70,0	66,0	138,8	11 400	10 200	9 200	11 400	10 200	9 200	70,0
74,0	64,3	136,8	10 900	9 800	8 900	10 900	9 800	8 900	74,0
78,0	62,5	134,5	10 400	9 400	8 500	10 400	9 400	8 500	78,0
82,0	60,8	132,1	10 000	9 100	8 200	10 000	9 100	8 200	82,0
86,0	59,0	129,5	9 500	8 700	7 900	9 500	8 700	7 900	86,0
90,0	57,1	126,7	9 200	8 400	7 700	9 200	8 400	7 700	90,0
94,0	55,3	123,8	8 800	8 100	7 400	8 800	8 100	7 400	94,0
98,0	53,3	120,6	8 400	7 500	6 200	8 400	7 800	7 100	98,0
102,0	51,4	117,2	6 300	5 100	4 000	8 100	7 400	6 900	102,0
106,0	49,3	113,6	4 100			7 800	7 200	6 700	106,0
110,0	47,2	109,6				7 500	6 900	6 400	110,0
114,0	45,0	105,4				7 200	6 700	6 200	114,0
118,0	42,7	100,8				6 900	6 400	6 000	118,0
122,0	40,3	95,8				6 600	6 200	5 800	122,0
126,0	37,8	90,4				6 400	6 000	5 600	126,0
130,0	35,1	84,4				6 200	5 800	5 400	130,0
134,0	32,1	77,7				6 000	5 600	5 300	134,0
138,0	28,9	70,1				5 800	5 400	5 100	138,0
142,0	25,2	61,2				5 600	5 300	5 000	142,0
146,0	20,9	50,4				5 500	5 200	4 900	146,0

MLC650 VPC-MAX S-2



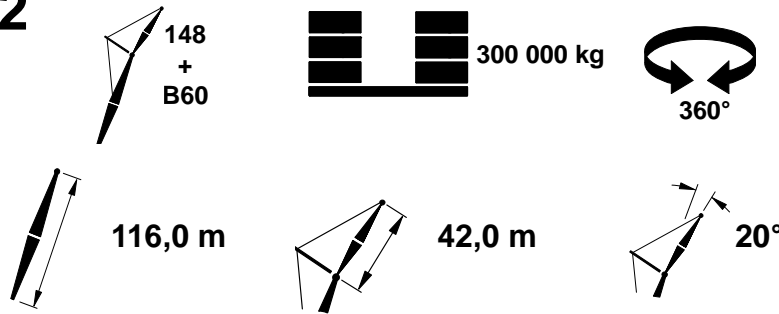
m	°	m	11,8 m			18,3 m			m
			0° kg	1° kg	2° kg	0° kg	1° kg	2° kg	
27,4									27,4
28,0									28,0
30,0									30,0
32,0									32,0
34,0									34,0
36,0	82,1	150,0	13 700			13 700			36,0
38,0	81,3	149,5	13 400	11 700		13 400	11 700		38,0
40,0	80,5	149,0	13 100	11 500	10 200	13 100	11 500	10 200	40,0
42,0	79,7	148,4	12 800	11 300	10 100	12 800	11 300	10 100	42,0
44,0	78,9	147,9	12 600	11 100	9 900	12 600	11 100	9 900	44,0
46,0	78,1	147,3	12 300	10 900	9 700	12 300	10 900	9 700	46,0
48,0	77,3	146,6	12 000	10 700	9 600	12 000	10 700	9 600	48,0
50,0	76,5	146,0	11 800	10 500	9 400	11 800	10 500	9 400	50,0
52,0	75,7	145,3	11 500	10 300	9 300	11 500	10 300	9 300	52,0
54,0	74,9	144,5	11 300	10 100	9 100	11 300	10 100	9 100	54,0
56,0	74,1	143,8	11 000	9 900	9 000	11 000	9 900	9 000	56,0
58,0	73,3	143,0	10 800	9 800	8 800	10 800	9 800	8 800	58,0
60,0	72,5	142,2	10 600	9 600	8 700	10 600	9 600	8 700	60,0
62,0	71,6	141,3	10 400	9 400	8 500	10 400	9 400	8 500	62,0
64,0	70,8	140,4	10 200	9 200	8 400	10 200	9 200	8 400	64,0
66,0	70,0	139,5	9 900	9 100	8 200	9 900	9 100	8 200	66,0
68,0	69,1	138,5	9 800	8 900	8 100	9 800	8 900	8 100	68,0
70,0	68,3	137,5	9 500	8 700	8 000	9 500	8 700	8 000	70,0
74,0	66,6	135,4	9 200	8 400	7 700	9 200	8 400	7 700	74,0
78,0	64,8	133,1	8 800	8 100	7 400	8 800	8 100	7 400	78,0
82,0	63,0	130,7	8 500	7 800	7 200	8 500	7 800	7 200	82,0
86,0	61,2	128,1	8 200	7 600	7 000	8 200	7 600	7 000	86,0
90,0	59,4	125,3	7 900	7 300	6 800	7 900	7 300	6 800	90,0
94,0	57,5	122,3	7 600	7 000	6 600	7 600	7 000	6 600	94,0
98,0	55,5	119,1	7 300	6 800	6 300	7 300	6 800	6 300	98,0
102,0	53,5	115,6	7 100	6 600	5 900	7 100	6 600	6 100	102,0
106,0	51,4	111,9	6 000	4 900	3 800	6 900	6 400	6 000	106,0
110,0	49,3	107,9	3 800			6 600	6 200	5 800	110,0
114,0	47,1	103,6				6 400	6 000	5 700	114,0
118,0	44,7	99,0				6 200	5 800	5 500	118,0
122,0	42,3	93,9				6 000	5 700	5 400	122,0
126,0	39,7	88,3				5 900	5 500	5 200	126,0
130,0	36,9	82,2				5 700	5 400	5 100	130,0
134,0	33,8	75,3				5 600	5 300	5 000	134,0
138,0	30,5	67,4				5 500	5 200	4 900	138,0
142,0	26,6	58,1				5 400	5 200	4 900	142,0
146,0									146,0

MLC650 VPC-MAX S-2



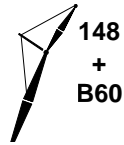
m	m	m	11,8 m			18,3 m			m
			0°	1°	2°	0°	1°	2°	
			kg	kg	kg	kg	kg	kg	
29,0	82,6	158,7	18 100			18 100			29,0
30,0	82,2	158,6	17 900			17 900			30,0
32,0	81,5	158,2	17 500	14 600		17 500	14 600		32,0
34,0	80,8	157,8	17 200	14 400	12 300	17 200	14 400	12 300	34,0
36,0	80,0	157,3	16 800	14 200	12 100	16 800	14 200	12 100	36,0
38,0	79,3	156,9	16 500	13 900	12 000	16 500	13 900	12 000	38,0
40,0	78,5	156,4	16 100	13 700	11 800	16 100	13 700	11 800	40,0
42,0	77,8	155,9	15 800	13 400	11 700	15 800	13 400	11 700	42,0
44,0	77,0	155,3	15 500	13 200	11 400	15 500	13 200	11 400	44,0
46,0	76,3	154,8	15 100	13 000	11 300	15 100	13 000	11 300	46,0
48,0	75,5	154,1	14 800	12 700	11 100	14 800	12 700	11 100	48,0
50,0	74,8	153,5	14 500	12 500	10 900	14 500	12 500	10 900	50,0
52,0	74,0	152,9	14 200	12 300	10 800	14 200	12 300	10 800	52,0
54,0	73,2	152,2	13 800	12 100	10 600	13 800	12 100	10 600	54,0
56,0	72,5	151,5	13 600	11 800	10 400	13 600	11 800	10 400	56,0
58,0	71,7	150,7	13 300	11 600	10 200	13 300	11 600	10 200	58,0
60,0	70,9	149,9	13 000	11 400	10 100	13 000	11 400	10 100	60,0
62,0	70,1	149,1	12 700	11 200	9 900	12 700	11 200	9 900	62,0
64,0	69,3	148,3	12 400	11 000	9 800	12 400	11 000	9 800	64,0
66,0	68,5	147,4	12 100	10 800	9 600	12 100	10 800	9 600	66,0
68,0	67,8	146,5	11 900	10 600	9 400	11 900	10 600	9 400	68,0
70,0	66,9	145,5	11 600	10 400	9 300	11 600	10 400	9 300	70,0
74,0	65,3	143,5	11 200	10 000	9 000	11 200	10 000	9 000	74,0
78,0	63,7	141,4	10 700	9 600	8 700	10 700	9 600	8 700	78,0
82,0	62,0	139,1	10 200	9 200	8 400	10 200	9 200	8 400	82,0
86,0	60,3	136,7	9 800	8 900	8 100	9 800	8 900	8 100	86,0
90,0	58,6	134,0	9 400	8 600	7 800	9 400	8 600	7 800	90,0
94,0	56,8	131,3	9 000	8 300	7 600	9 000	8 300	7 600	94,0
98,0	55,0	128,3	8 300	6 900	5 600	8 700	8 000	7 300	98,0
102,0	53,1	125,1	5 900	4 600	3 400	8 400	7 700	7 100	102,0
106,0	51,2	121,7	3 600			8 000	7 400	6 800	106,0
110,0	49,3	118,0				7 700	7 100	6 600	110,0
114,0	47,3	114,1				7 400	6 900	6 400	114,0
118,0	45,1	109,9				7 200	6 700	6 200	118,0
122,0	43,0	105,4				6 900	6 400	6 000	122,0
126,0	40,7	100,5				6 700	6 200	5 800	126,0
130,0	38,2	95,1				6 400	6 000	5 600	130,0
134,0	35,7	89,3				6 200	5 800	5 500	134,0
138,0	32,9	82,8				6 000	5 700	5 300	138,0
142,0	29,9	75,5				5 800	5 500	5 200	142,0
146,0	26,5	67,1				5 700	5 300	5 000	146,0
150,0	22,6	57,2				5 500	5 200	4 900	150,0
154,0	17,9	44,6				5 400	5 100	4 800	154,0

MLC650 VPC-MAX S-2

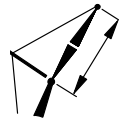


m	°	m	11,8 m			18,3 m			m
			0° kg	1° kg	2° kg	0° kg	1° kg	2° kg	
29,0									29,0
30,0									30,0
32,0									32,0
34,0									34,0
36,0	82,4	156,1	13 800			13 800			36,0
38,0	81,6	155,6	13 500			13 500			38,0
40,0	80,9	155,1	13 200	11 600		13 200	11 600		40,0
42,0	80,1	154,6	12 900	11 400	10 100	12 900	11 400	10 100	42,0
44,0	79,4	154,1	12 700	11 200	9 900	12 700	11 200	9 900	44,0
46,0	78,6	153,5	12 400	11 000	9 700	12 400	11 000	9 700	46,0
48,0	77,8	152,9	12 100	10 800	9 600	12 100	10 800	9 600	48,0
50,0	77,1	152,3	11 900	10 600	9 400	11 900	10 600	9 400	50,0
52,0	76,3	151,6	11 700	10 400	9 300	11 700	10 400	9 300	52,0
54,0	75,5	150,9	11 400	10 200	9 200	11 400	10 200	9 200	54,0
56,0	74,7	150,2	11 200	10 000	9 000	11 200	10 000	9 000	56,0
58,0	74,0	149,4	11 000	9 800	8 900	11 000	9 800	8 900	58,0
60,0	73,2	148,6	10 800	9 700	8 700	10 800	9 700	8 700	60,0
62,0	72,4	147,8	10 500	9 500	8 600	10 500	9 500	8 600	62,0
64,0	71,6	147,0	10 300	9 300	8 500	10 300	9 300	8 500	64,0
66,0	70,8	146,1	10 100	9 200	8 300	10 100	9 200	8 300	66,0
68,0	70,0	145,2	9 900	9 000	8 200	9 900	9 000	8 200	68,0
70,0	69,2	144,2	9 700	8 900	8 100	9 700	8 900	8 100	70,0
74,0	67,5	142,2	9 400	8 500	7 800	9 400	8 500	7 800	74,0
78,0	65,9	140,0	9 000	8 200	7 600	9 000	8 200	7 600	78,0
82,0	64,2	137,7	8 700	8 000	7 300	8 700	8 000	7 300	82,0
86,0	62,5	135,2	8 400	7 700	7 100	8 400	7 700	7 100	86,0
90,0	60,7	132,6	8 100	7 500	6 900	8 100	7 500	6 900	90,0
94,0	58,9	129,8	7 800	7 200	6 700	7 800	7 200	6 700	94,0
98,0	57,1	126,8	7 500	7 000	6 500	7 500	7 000	6 500	98,0
102,0	55,2	123,5	7 300	6 700	5 500	7 300	6 800	6 300	102,0
106,0	53,3	120,1	5 700	4 400	3 300	7 000	6 600	6 100	106,0
110,0	51,3	116,4				6 800	6 400	6 000	110,0
114,0	49,2	112,4				6 600	6 200	5 800	114,0
118,0	47,1	108,1				6 400	6 000	5 600	118,0
122,0	44,9	103,5				6 200	5 900	5 500	122,0
126,0	42,5	98,5				6 100	5 700	5 300	126,0
130,0	40,1	93,0				5 900	5 600	5 200	130,0
134,0	37,4	87,0				5 700	5 400	5 100	134,0
138,0	34,6	80,4				5 600	5 300	5 000	138,0
142,0	31,5	72,8				5 500	5 200	5 000	142,0
146,0	28,0	64,1				5 500	5 200	4 900	146,0
150,0									150,0
154,0									154,0

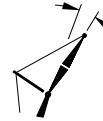
MLC650 VPC-MAX S-2



122,0 m



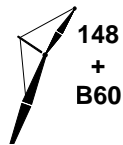
42,0 m



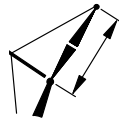
10°

m	°	m	kg		m
			11,8 m	18,3 m	
29,0	82,9	164,8	18 100	18 100	29,0
30,0	82,5	164,6	17 900	17 900	30,0
32,0	81,8	164,3	17 600	17 600	32,0
34,0	81,1	163,9	17 200	17 200	34,0
36,0	80,4	163,5	16 900	16 900	36,0
38,0	79,7	163,0	16 600	16 600	38,0
40,0	79,0	162,6	16 300	16 300	40,0
42,0	78,2	162,1	15 900	15 900	42,0
44,0	77,5	161,5	15 600	15 600	44,0
46,0	76,8	161,0	15 300	15 300	46,0
48,0	76,1	160,4	15 000	15 000	48,0
50,0	75,3	159,8	14 700	14 700	50,0
52,0	74,6	159,2	14 400	14 400	52,0
54,0	73,9	158,5	14 100	14 100	54,0
56,0	73,1	157,8	13 800	13 800	56,0
58,0	72,4	157,1	13 500	13 500	58,0
60,0	71,6	156,4	13 200	13 200	60,0
62,0	70,9	155,6	12 900	12 900	62,0
64,0	70,1	154,8	12 700	12 700	64,0
66,0	69,4	153,9	12 400	12 400	66,0
68,0	68,6	153,1	12 100	12 100	68,0
70,0	67,9	152,2	11 900	11 900	70,0
74,0	66,3	150,3	11 400	11 400	74,0
78,0	64,7	148,2	11 000	11 000	78,0
82,0	63,1	146,0	10 500	10 500	82,0
86,0	61,5	143,7	10 100	10 100	86,0
90,0	59,9	141,2	9 700	9 700	90,0
94,0	58,2	138,6	8 700	9 300	94,0
98,0	56,5	135,8	6 100	9 000	98,0
102,0	54,8	132,8	3 600	8 700	102,0
106,0	53,0	129,6		8 300	106,0
110,0	51,1	126,1		8 000	110,0
114,0	49,2	122,5		7 700	114,0
118,0	47,3	118,6		7 400	118,0
122,0	45,3	114,4		7 200	122,0
126,0	43,2	109,9		6 900	126,0
130,0	41,0	105,1		6 700	130,0
134,0	38,7	99,8		6 500	134,0
138,0	36,2	94,1		6 300	138,0
142,0	33,6	87,8		6 100	142,0
146,0	30,8	80,8		5 900	146,0
150,0	27,7	72,8		5 700	150,0
154,0	24,2	63,6		5 600	154,0
158,0	20,0	52,3		4 400	158,0

MLC650 VPC-MAX S-2



122,0 m



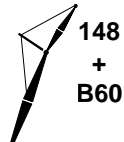
42,0 m



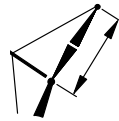
20°

			11,8 m	18,3 m	
m	°	m	kg	kg	m
29,0					29,0
30,0					30,0
32,0					32,0
34,0					34,0
36,0					36,0
38,0	81,9	161,8	13 600	13 600	38,0
40,0	81,2	161,3	13 300	13 300	40,0
42,0	80,5	160,8	13 000	13 000	42,0
44,0	79,8	160,3	12 700	12 700	44,0
46,0	79,0	159,7	12 500	12 500	46,0
48,0	78,3	159,1	12 300	12 300	48,0
50,0	77,6	158,5	12 000	12 000	50,0
52,0	76,8	157,9	11 800	11 800	52,0
54,0	76,1	157,2	11 600	11 600	54,0
56,0	75,3	156,5	11 300	11 300	56,0
58,0	74,6	155,8	11 100	11 100	58,0
60,0	73,8	155,1	10 900	10 900	60,0
62,0	73,1	154,3	10 700	10 700	62,0
64,0	72,3	153,5	10 500	10 500	64,0
66,0	71,6	152,6	10 300	10 300	66,0
68,0	70,8	151,7	10 100	10 100	68,0
70,0	70,0	150,8	9 900	9 900	70,0
74,0	68,5	148,9	9 500	9 500	74,0
78,0	66,9	146,8	9 200	9 200	78,0
82,0	65,3	144,6	8 900	8 900	82,0
86,0	63,6	142,3	8 600	8 600	86,0
90,0	62,0	139,8	8 300	8 300	90,0
94,0	60,3	137,1	8 000	8 000	94,0
98,0	58,5	134,3	7 700	7 700	98,0
102,0	56,8	131,2	6 000	7 500	102,0
106,0	55,0	128,0	3 600	7 200	106,0
110,0	53,1	124,5		7 000	110,0
114,0	51,2	120,8		6 800	114,0
118,0	49,2	116,9		6 600	118,0
122,0	47,2	112,6		6 400	122,0
126,0	45,0	108,0		6 200	126,0
130,0	42,8	103,1		6 100	130,0
134,0	40,4	97,7		5 900	134,0
138,0	37,9	91,9		5 800	138,0
142,0	35,2	85,4		5 700	142,0
146,0	32,3	78,2		5 500	146,0
150,0	29,1	69,9		5 500	150,0
154,0					154,0
158,0					158,0

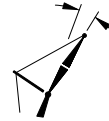
MLC650 VPC-MAX S-2




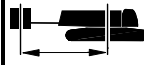
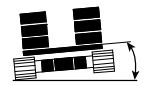
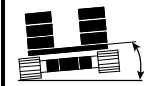


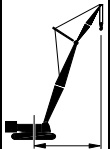

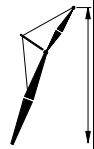

128,0 m



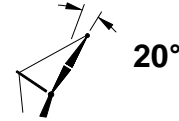
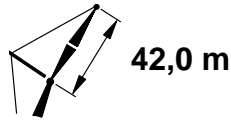
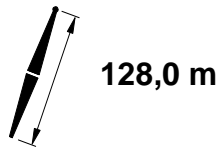
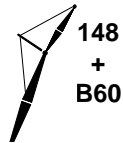
42,0 m



10°

			 11,8 m		 18,3 m	
			 0°		 0°	
			 kg		 kg	
 m	 °	 m			 m	
30,5	82,6	170,6	17 800	17 800	17 800	30,5
32,0	82,1	170,4	17 500	17 500	17 500	32,0
34,0	81,4	170,0	17 200	17 200	17 200	34,0
36,0	80,7	169,6	16 900	16 900	16 900	36,0
38,0	80,1	169,1	16 600	16 600	16 600	38,0
40,0	79,4	168,7	16 300	16 300	16 300	40,0
42,0	78,7	168,2	16 000	16 000	16 000	42,0
44,0	78,0	167,7	15 700	15 700	15 700	44,0
46,0	77,3	167,2	15 400	15 400	15 400	46,0
48,0	76,6	166,6	15 100	15 100	15 100	48,0
50,0	75,9	166,0	14 800	14 800	14 800	50,0
52,0	75,2	165,4	14 500	14 500	14 500	52,0
54,0	74,5	164,8	14 200	14 200	14 200	54,0
56,0	73,8	164,1	13 900	13 900	13 900	56,0
58,0	73,0	163,4	13 700	13 700	13 700	58,0
60,0	72,3	162,7	13 400	13 400	13 400	60,0
62,0	71,6	162,0	13 100	13 100	13 100	62,0
64,0	70,9	161,2	12 900	12 900	12 900	64,0
66,0	70,2	160,4	12 600	12 600	12 600	66,0
68,0	69,4	159,6	12 400	12 400	12 400	68,0
70,0	68,7	158,7	12 100	12 100	12 100	70,0
74,0	67,2	156,9	11 700	11 700	11 700	74,0
78,0	65,7	154,9	11 200	11 200	11 200	78,0
82,0	64,2	152,8	10 800	10 800	10 800	82,0
86,0	62,6	150,6	10 400	10 400	10 400	86,0
90,0	61,1	148,3	10 000	10 000	10 000	90,0
94,0	59,5	145,8	8 100	9 600	9 600	94,0
98,0	57,9	143,1	5 500	9 200	9 200	98,0
102,0	56,2	140,2	3 000	8 900	8 900	102,0
106,0	54,5	137,2		8 600	8 600	106,0
110,0	52,8	134,0		8 300	8 300	110,0
114,0	51,0	130,6		8 000	8 000	114,0
118,0	49,2	126,9		7 700	7 700	118,0
122,0	47,3	123,0		7 400	7 400	122,0
126,0	45,4	118,9		7 200	7 200	126,0
130,0	43,4	114,4		7 000	7 000	130,0
134,0	41,2	109,6		6 700	6 700	134,0
138,0	39,0	104,5		6 500	6 500	138,0
142,0	36,7	98,8		6 300	6 300	142,0
146,0	34,2	92,7		6 100	6 100	146,0
150,0	31,6	85,9		5 900	5 900	150,0
154,0	28,7	78,3		5 500	5 500	154,0
158,0	25,4	69,5		3 800	3 800	158,0

MLC650 VPC-MAX S-2



			 11,8 m		 18,3 m	
			 kg	 kg	 kg	 kg
30,5					30,5	
32,0					32,0	
34,0					34,0	
36,0					36,0	
38,0	82,2	167,9	13 600	13 600	38,0	
40,0	81,5	167,4	13 300	13 300	40,0	
42,0	80,8	166,9	13 100	13 100	42,0	
44,0	80,1	166,4	12 800	12 800	44,0	
46,0	79,4	165,9	12 600	12 600	46,0	
48,0	78,7	165,3	12 400	12 400	48,0	
50,0	78,0	164,8	12 100	12 100	50,0	
52,0	77,3	164,1	11 900	11 900	52,0	
54,0	76,6	163,5	11 700	11 700	54,0	
56,0	75,9	162,8	11 500	11 500	56,0	
58,0	75,2	162,1	11 300	11 300	58,0	
60,0	74,4	161,4	11 000	11 000	60,0	
62,0	73,7	160,7	10 800	10 800	62,0	
64,0	73,0	159,9	10 700	10 700	64,0	
66,0	72,2	159,1	10 400	10 400	66,0	
68,0	71,5	158,2	10 300	10 300	68,0	
70,0	70,8	157,4	10 100	10 100	70,0	
74,0	69,3	155,5	9 700	9 700	74,0	
78,0	67,8	153,6	9 400	9 400	78,0	
82,0	66,2	151,4	9 100	9 100	82,0	
86,0	64,7	149,2	8 800	8 800	86,0	
90,0	63,1	146,8	8 500	8 500	90,0	
94,0	61,5	144,3	8 200	8 200	94,0	
98,0	59,8	141,6	7 800	7 900	98,0	
102,0	58,2	138,7	5 500	7 700	102,0	
106,0	56,5	135,6		7 400	106,0	
110,0	54,7	132,4		7 200	110,0	
114,0	52,9	128,9		7 000	114,0	
118,0	51,1	125,2		6 800	118,0	
122,0	49,2	121,3		6 600	122,0	
126,0	47,2	117,1		6 400	126,0	
130,0	45,1	112,5		6 200	130,0	
134,0	43,0	107,7		6 100	134,0	
138,0	40,7	102,4		5 900	138,0	
142,0	38,4	96,6		5 800	142,0	
146,0	35,8	90,3		5 700	146,0	
150,0	33,1	83,3		5 600	150,0	
154,0	30,1	75,4		5 500	154,0	
158,0	26,7	66,3		4 400	158,0	