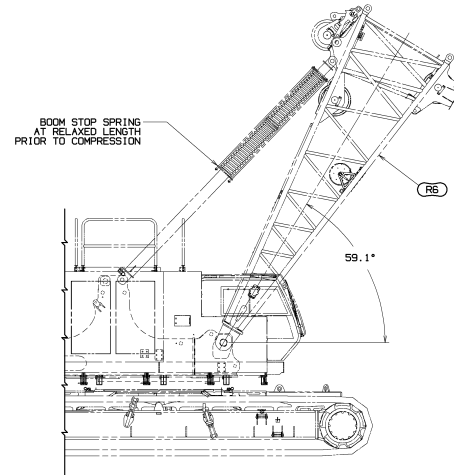


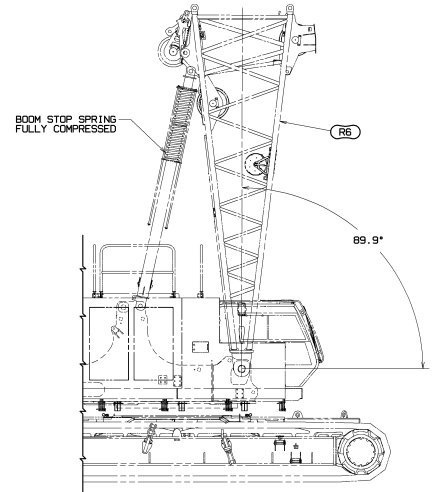
ITEMS REQ'D FOR VARIOUS BOOM LENGTHS - SEE SHEETS 3, 4 & 5 FOR BOOM MAKE-UP

BILL OF MATERIAL				ASSEMBLED
ITEM NO.	DESCRIPTION	MATERIAL	QUANTITY	REQ'D BY

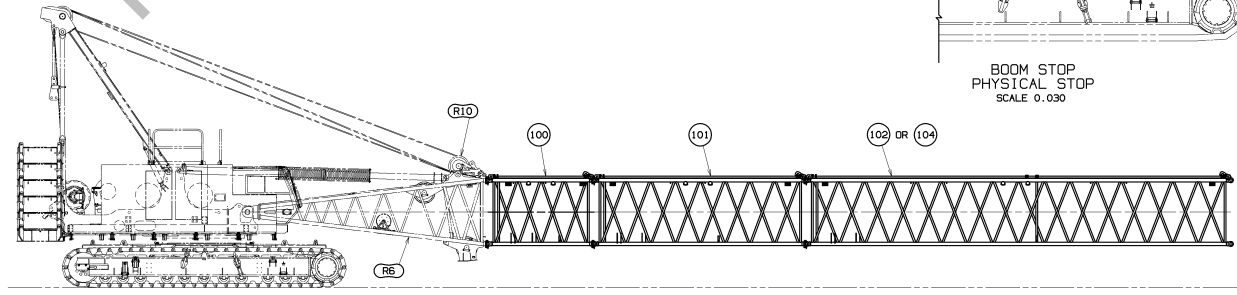
ITEM NO.	#350 INSERTS				CONNECTOR PINS		STRAPS			LINKS	LINK/STRAP CONNECTION				SUSPENSION		
	100	101	102	102/104 (A)	R101	R104	R107	R106	R105	R108	R100	R109	R110	R113	106	R102	
BOOM LENGTH	INSERT 3M (9.8FT) ASSY	INSERT 6M (19.7FT) ASSY	INSERT 12M (39.4FT) ASSY	INSERT 12M (39.4FT) W/LUG ASSY	SAFETY PIN	PIN TAPERED 2 HOLES	STRAP 3M (9.8FT)	STRAP 6M (19.7FT)	STRAP 12M (39.4FT)	LINK 170mm (6.7in)	COTTER	PIN W/HEAD	COLLAR	PIN CLEVIS	PENDANT 24.61M (80.75FT)	(B) PENDANT PIN	
METERS	FEET																
15	49.2	0	0	0	0	8	4	0	0	0	6	2	4	4	0	0	
18	59.1	1	0	0	0	16	8	2	0	0	4	10	6	8	8	0	0
21	68.9	0	1	0	0	16	8	0	2	0	4	10	6	8	8	0	0
24	78.7	1	1	0	0	24	12	2	2	0	8	14	10	12	12	0	0
27	88.6	OR 0	0	0	1	16	8	0	0	2	4	10	6	8	8	0	0
		0	2	0	0	24	12	0	4	0	8	14	10	12	12		
30	98.4	OR 1	0	0	1	24	12	2	0	2	8	14	10	12	12	0	0
		1	2	0	0	32	16	2	4	0	12	18	14	16	16		
33	108.3	0	1	0	1	24	12	0	2	2	8	14	10	12	12	0	0
36	118.1	1	1	0	1	32	16	2	2	2	12	18	14	16	16	0	0
39	128.0	OR 0	0	1	1	24	12	0	0	4	8	14	10	12	12	0	0
		0	2	0	1	32	16	0	4	2	12	18	14	16	16		
42	137.8	OR 1	0	1	1	32	16	2	0	4	12	18	14	16	16	0	0
		1	2	0	1	40	20	2	4	2	16	22	18	20	20		
45	147.6	0	1	1	1	32	16	0	2	4	12	18	14	16	16	0	0
48	157.5	1	1	1	1	40	20	2	2	4	16	22	18	20	20	0	0
51	167.3	OR 0	0	2	1	32	16	0	0	6	12	18	14	16	16	0	0
		0	2	1	1	40	20	0	4	4	16	22	18	20	20		
54	177.2	OR 1	0	2	1	40	20	2	0	6	16	22	18	20	20	0	0
		1	2	1	1	48	24	2	4	4	20	26	22	24	24		
57	187.0	0	1	2	1	40	20	0	2	6	16	22	18	20	20	0	0
60	196.9	1	1	2	1	48	24	2	2	6	20	26	22	24	24	0	0
63	206.7	OR 0	0	3	1	40	20	0	0	8	16	22	18	20	20	0	0
		0	2	2	1	48	24	0	4	6	20	26	22	24	24		
66	216.5	OR 1	0	3	1	48	24	2	0	8	20	26	22	24	24	0	0
		1	2	2	1	56	28	2	4	6	24	30	26	28	28		
69	226.4	0	1	3	1	48	24	0	2	8	20	26	22	24	24	2	2
72	236.2	1	1	3	1	56	28	2	2	8	24	30	26	28	28	2	2
75	246.1	0	2	3	1	56	28	0	4	8	24	30	26	28	28	2	2
78	255.9	1	2	3	1	64	32	2	4	8	28	34	30	32	32	2	2



BOOM STOP START OF CUSHION SCALE 0.030



BOOM STOP PHYSICAL STOP SCALE 0.030



BOOM HANDLING WITH EQUALIZER PINNED TO BUTT SCALE 0.020 (SEE STEP 2 AND DETAIL G ON SHEET 6 FOR BUTT TO INSERT ATTACHMENT)

BOOM HANDLING WITH EQUALIZER WITH EQUALIZER ATTACHED TO BOOM BUTT MAXIMUM BOOM INSERTS THAT CAN BE CANTILEVERED BEYOND 6.8M BOOM BUTT IS AS FOLLOWS

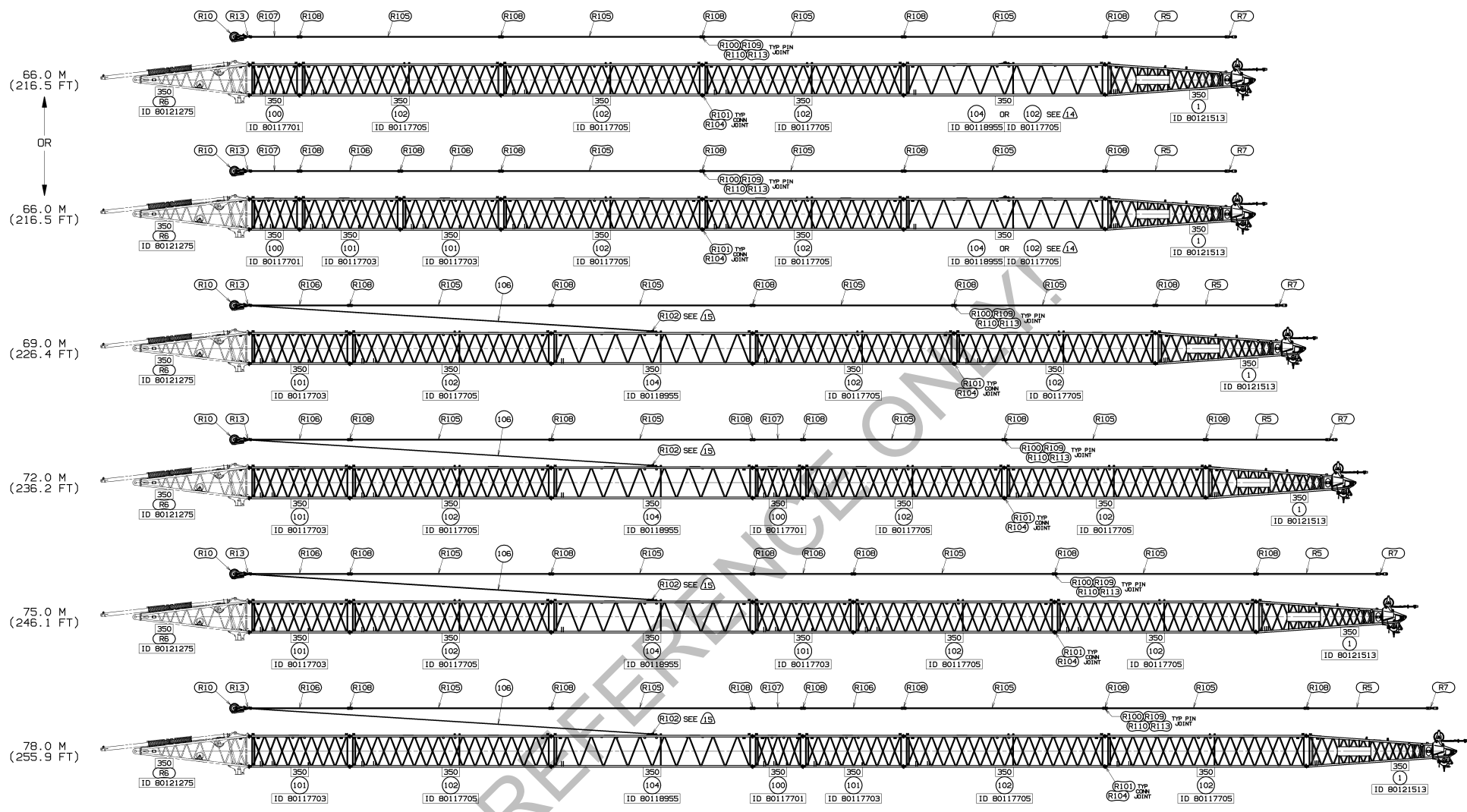
LENGTH	3M (9.8FT) INSERT 80117700	6M (19.7FT) INSERT 80117702	12M (39.4FT) INSERT 80117704 OR 80118554
3M (9.8FT)	1	0	0
6M (19.7FT)	0	1	0
9M (29.5FT)	1	1	0
12M (39.4FT)	0	0	1
15M (49.2FT)	1	0	1
18M (59.1FT)	0	1	1
21M (68.9FT)	1	1	1
24M (78.7FT)	0	0	2
	0	2	1

DO NOT SCALE THIS DRAWING

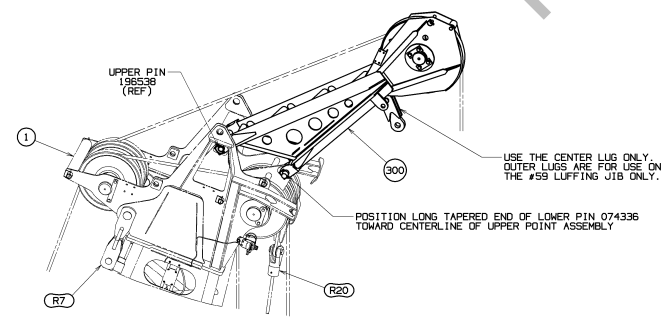
REFERENCE ONLY!

<small>THIS PRINT REMAINS THE PROPERTY OF MARLBOROUGH CRANES, INC. ALL INFORMATION CONTAINED HEREIN IS CONFIDENTIAL. IT IS LOANED, SUBJECT TO RETURN AND STORAGE. IT IS NOT TO BE REPRODUCED, COPIED, OR DISSEMINATED IN ANY MANNER WITHOUT THE WRITTEN PERMISSION OF MARLBOROUGH CRANES, INC.</small>	<small>TOLERANCE UNLESS OTHERWISE SPECIFIED</small> FRACTIONS: 1/16, 1/8, 1/4, 1/2, 3/4, 1, 1 1/2, 2, 3, 4, 6, 8, 12, 18, 24, 30, 36, 48, 60, 72, 96, 120, 144, 180, 240, 300, 360, 480, 600, 720, 960, 1200 DECIMALS: 0.005, 0.01, 0.02, 0.05, 0.1, 0.2, 0.5, 1, 2, 5, 10, 20, 50, 100, 200, 500, 1000 ANGLES: 1/2°, 1°, 3°, 4.5°, 9°, 18°, 30°, 45°, 60°, 90°, 120°, 150°, 180°	DATE: 01-05-21 BY: C CHECKED: [Signature] APP: JRR	MANUFACTURED BY: Marlborough Cranes, Inc. MODEL: MLC150-1 PART: BOOM RIGGING QUANTITY: B10:350	SHEET NO: 80117858 SHEET OF: 2 OF 7
--	--	---	---	--

BILL OF MATERIAL			
ITEM NO.	DESCRIPTION	MATERIAL	QUANTITY



RECOMMENDED BOOM MAKEUP
 FOR TYP PIN JOINT SEE DETAILS A, B AND C (SEE SHEET 1)
 FOR TYP CONN JOINT SEE DETAIL G (SEE SHEET 6)



DETAIL F
 (FROM SHEET 1)
 SCALE 0.060

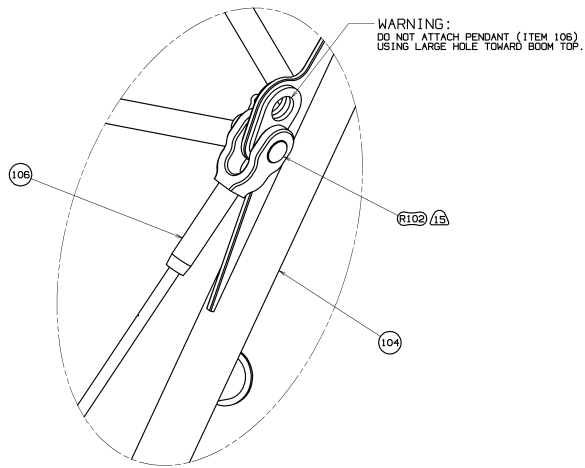
DO NOT SCALE THIS DRAWING

<small>THIS PRINT REMAINS THE PROPERTY OF HANSON CRANES, INC. ALL INFORMATION CONTAINED HEREIN IS CONFIDENTIAL, IT IS LOANED, BORROWED, REPRODUCED, COPIED, OR IN ANY MANNER DISCLOSED TO ANY OTHER PERSON WITHOUT THE WRITTEN PERMISSION OF HANSON CRANES, INC. ANY UNAUTHORIZED DISCLOSURE OR USE OF THIS INFORMATION IS STRICTLY PROHIBITED AND WILL BE PUNISHED ACCORDING TO OUR POLICY.</small>	<small>TOLERANCE UNLESS OTHERWISE SPECIFIED: FRACTIONAL DECIMALS TO FIFTHS OF INCH DECIMALS TO THIRDS OF INCH ANGLES TO NEAREST MINUTE HOLE POSITION TO NEAREST THIRDS OF INCH HOLE SIZE TO NEAREST THIRDS OF INCH HOLE POSITION TO NEAREST THIRDS OF INCH HOLE SIZE TO NEAREST THIRDS OF INCH</small>	<small>DATE: 01-05-21 DRAWN BY: DLG CHECKED BY: JRR</small>	Martinshoe Cranes, Inc. Martinshoe, Wisconsin	BOOM RIGGING B10:350
			01-05-21 T.C.	80117858 SHT 5 OF 7

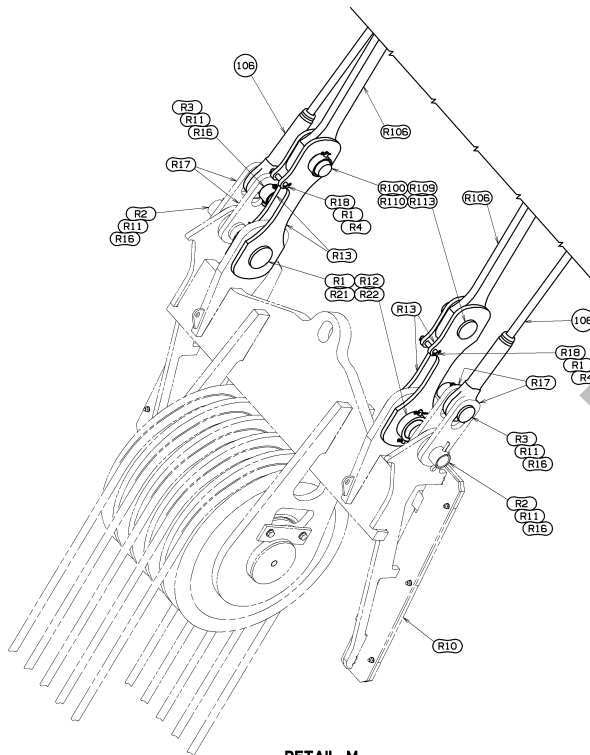
PRIVATE LABELING
 RESTRICTED TO
 CUSTOMER'S
 ENGINEERING
 SPECIFICATIONS
 65010774 FOR
 COMPONENTS LISTED
 IN 60500-05-035

INTERMEDIATE SUSPENSION PENDANT (ITEM 106) INSTALLATION

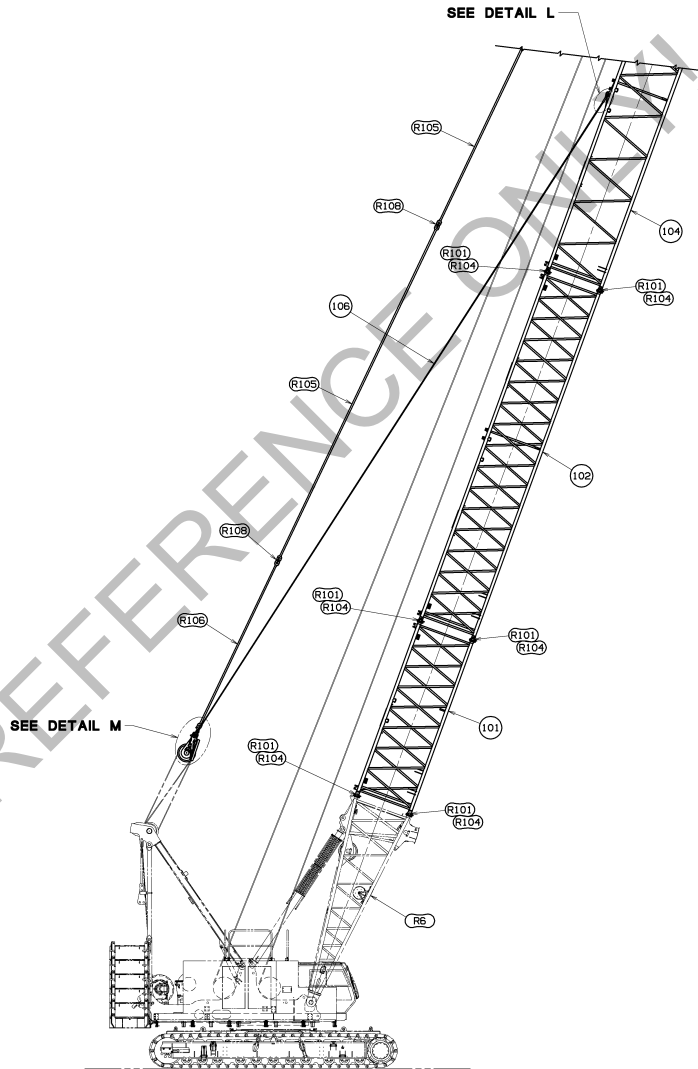
- INSTALL PENDANT (ITEM 106) FEMALE END TO LUG ON 12M INSERT (ITEM 104), USING SUPPLIER PROVIDED PIN ATTACH TO LUG HOLE CLOSEST TO BOOM BUTT. (SEE DETAIL L ON SHEET 7).
 - FROM EQUALIZER (R10) DETACH TIE BACK LINKS (R17) BY REMOVING PIN (R16), COLLAR (R11) AND SAFETY PIN (R3). (SEE DETAIL C ON SHEET 1).
 - PIVOT TIE BACK LINKS TOWARD BOOM TOP AND INSTALL PENDANT (ITEM 106) MALE END BETWEEN TIE BACK LINKS AND REINSTALL PIN (R16), COLLAR (R11) AND SAFETY PIN (R3) THRU SLOTTED HOLE. (SEE DETAIL M ON SHEET 7).
- FOR REMOVAL OF INTERMEDIATE SUSPENSION PENDANT (ITEM 106) REVERSE



DETAIL L
SCALE 0.300



DETAIL M
SCALE 0.200



69.0 M (226.4 FT)
72.0 M (236.2 FT)
75.0 M (246.1 FT)
78.0 M (255.9 FT)
350 BOOM SHOWN

TOLERANCE UNLESS OTHERWISE SPECIFIED		DATE	BY	APP.
ASSEMBLY	± 0.15	01-05-21	PPH	JRR
DRILLING	± 0.10			
MACHINING	± 0.10			
WELDING	± 0.10			
TURNING	± 0.10			
GRINDING	± 0.10			
CUTTING	± 0.10			
THREADS	± 0.10			
ROUNDED CORNERS	R1.50			
ROUNDED EDGES	R1.50			

THIS PRINT REMAINS THE PROPERTY OF	MANITOWOC CRANES, INC.	DATE	01-05-21
ALL INFORMATION CONTAINED HEREIN IS CONFIDENTIAL		BY	JRR
IT IS LOANED, SUBJECT TO RETURN AND NOT BE		APP.	JRR
REPRODUCED OR TRANSMITTED IN ANY FORM OR			
MANNER WITHOUT THE WRITTEN PERMISSION OF			
MANITOWOC CRANES, INC.			

MANITOWOC CRANES, INC.	BOOM RIGGING
MANITOWOC, Wisconsin	
MAN.MLC150-1	B10:350
PPH_JRR	