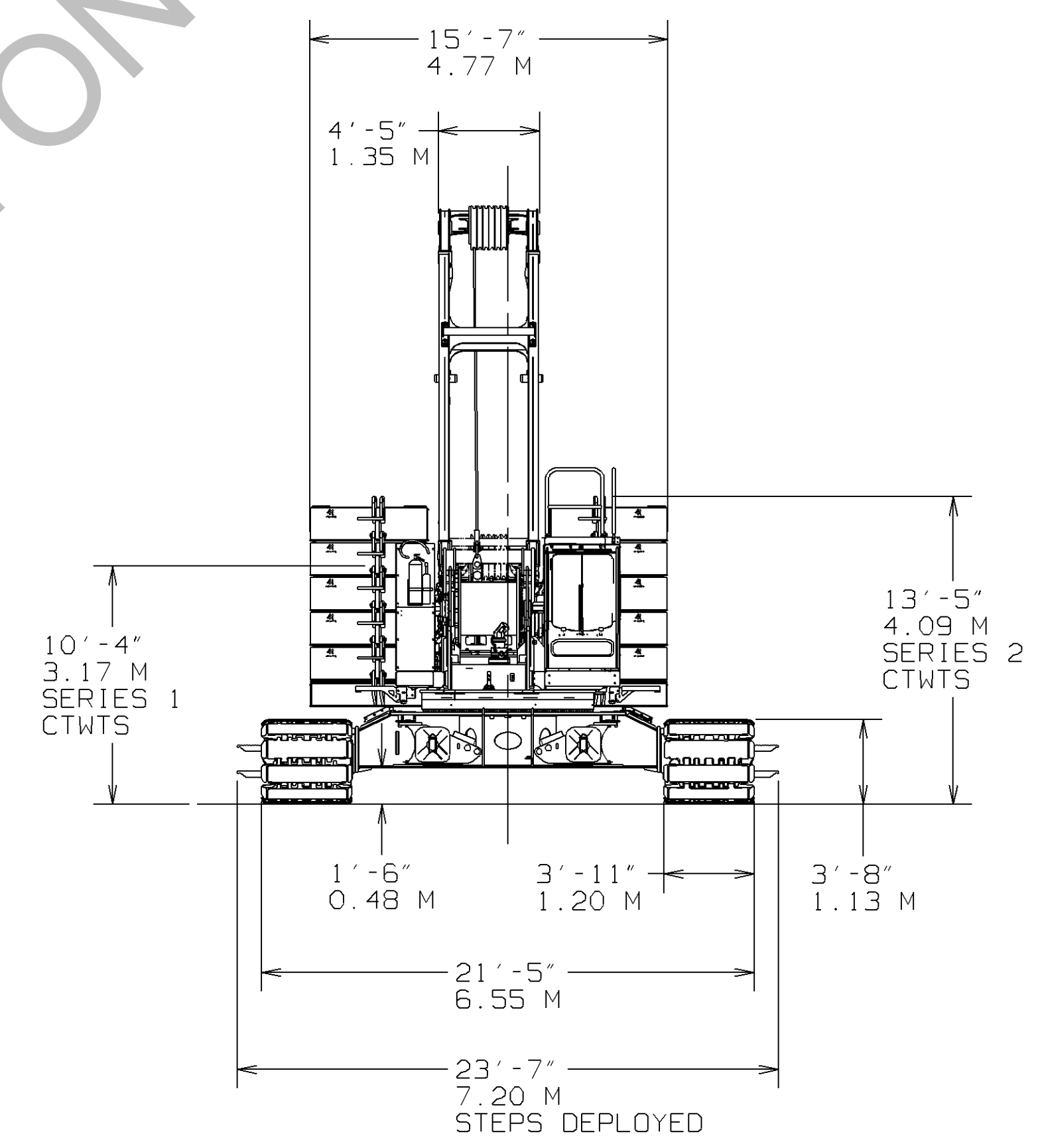
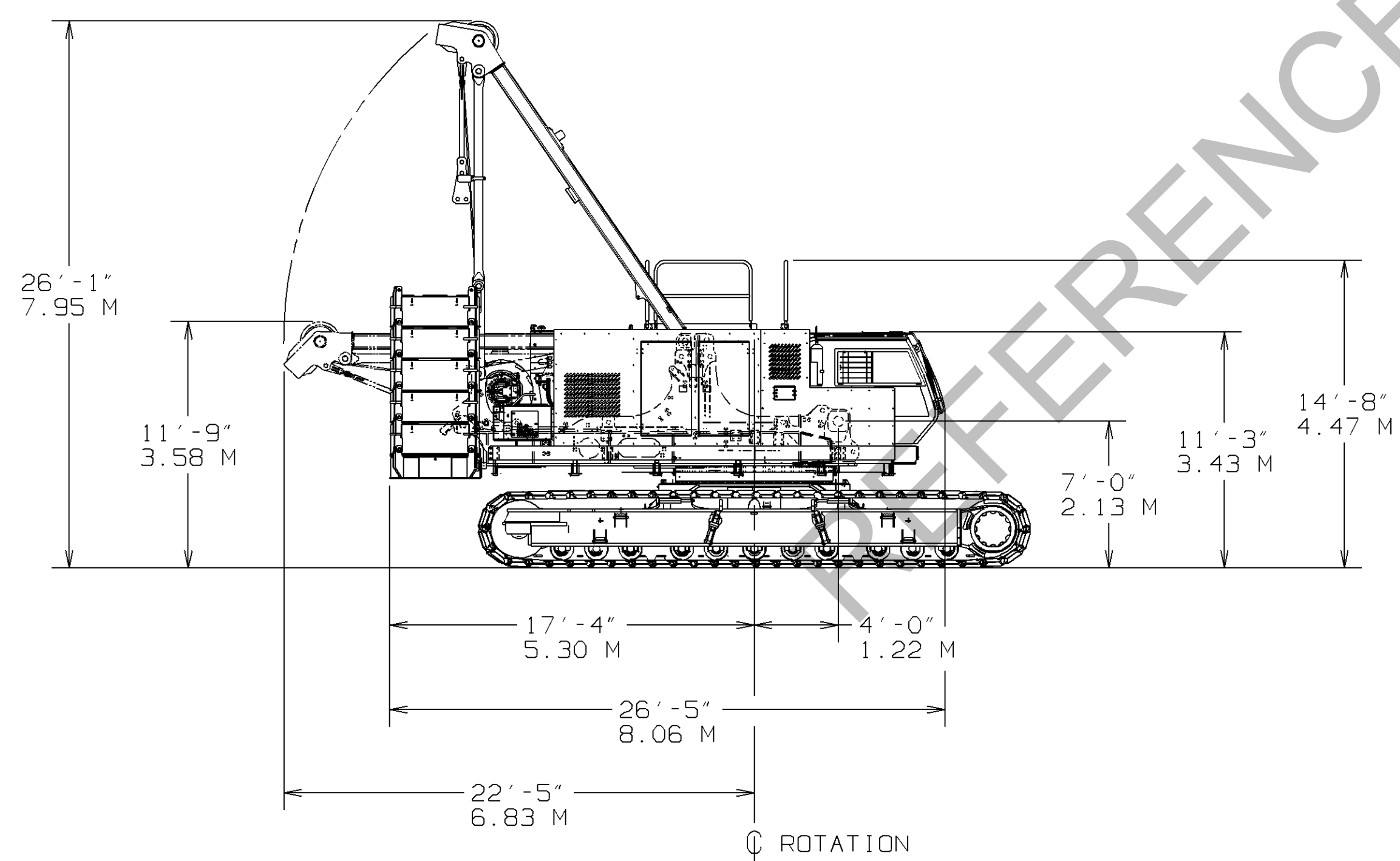
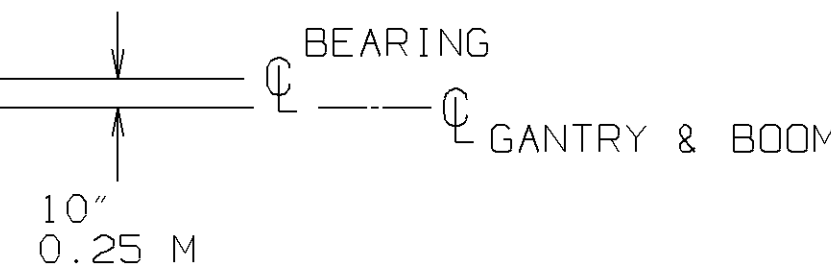
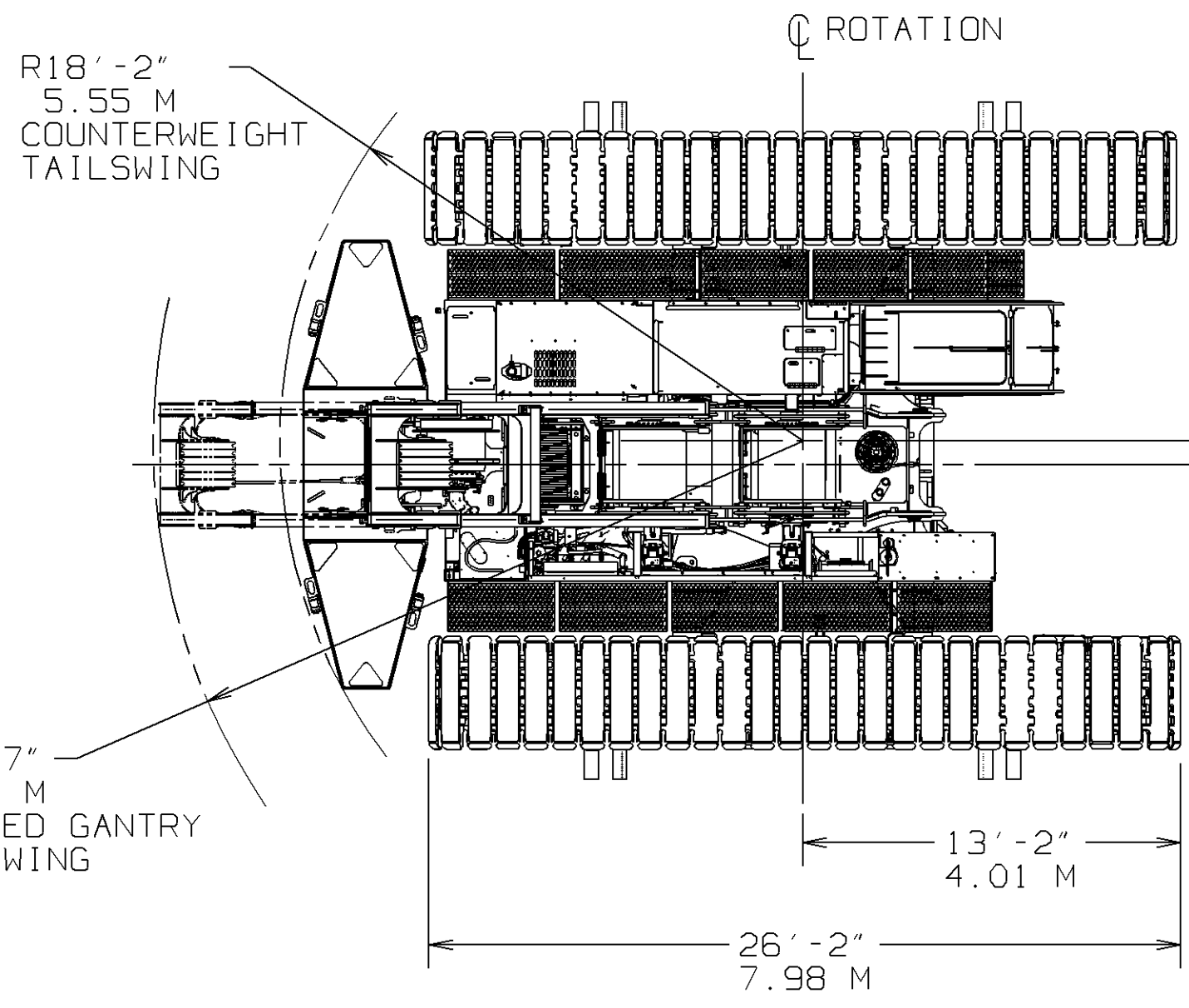


BILL OF MATERIAL						
ITEM NO.	REQD	SECTION	DESCRIPTION	LENGTH IN.	MATERIAL	CODE NO. OR DWG. NO.

ASSEMBLIES USED ON

REVISIONS



DWG. NO.  
80132961  
SHT 1 OF 2

PRIVATE LABELING REQUIREMENT TO CONFORM TO ENGINEERING SPECIFICATION 6829103794 FOR COMPONENTS LISTED IN GDS500-05-035  
DATE  
11-23-20  
REV. LTR.  
**A**

TOLERANCE UNLESS OTHERWISE SPECIFIED			
DECIMAL PLACES	FABRICATION		MACHINING
	≤ 10 FEET	> 10 FEET	
(1) PLACE	0.0	±.12	±.18
(2) PLACE	0.00	±.06	±.12
(3) PLACE	0.000	±.03	±.06
ANGLES	±1°30'		±0°30'

SCALE .015	<b>Manitowoc Cranes, Inc.</b>	
DR. RHV	<b>Manitowoc, Wisconsin</b>	DIAGRAM
CK. DLG	MODEL MLC150-1	OUTLINE DIMENSIONS
APP. JRR		

DWG. NO.  
80132961

DO NOT SCALE THIS DRAWING

BILL OF MATERIAL						
ITEM NO.	NO. REQD.	SECTION	DESCRIPTION	LENGTH IN.	MATERIAL	CODE NO. OR DWG. NO.

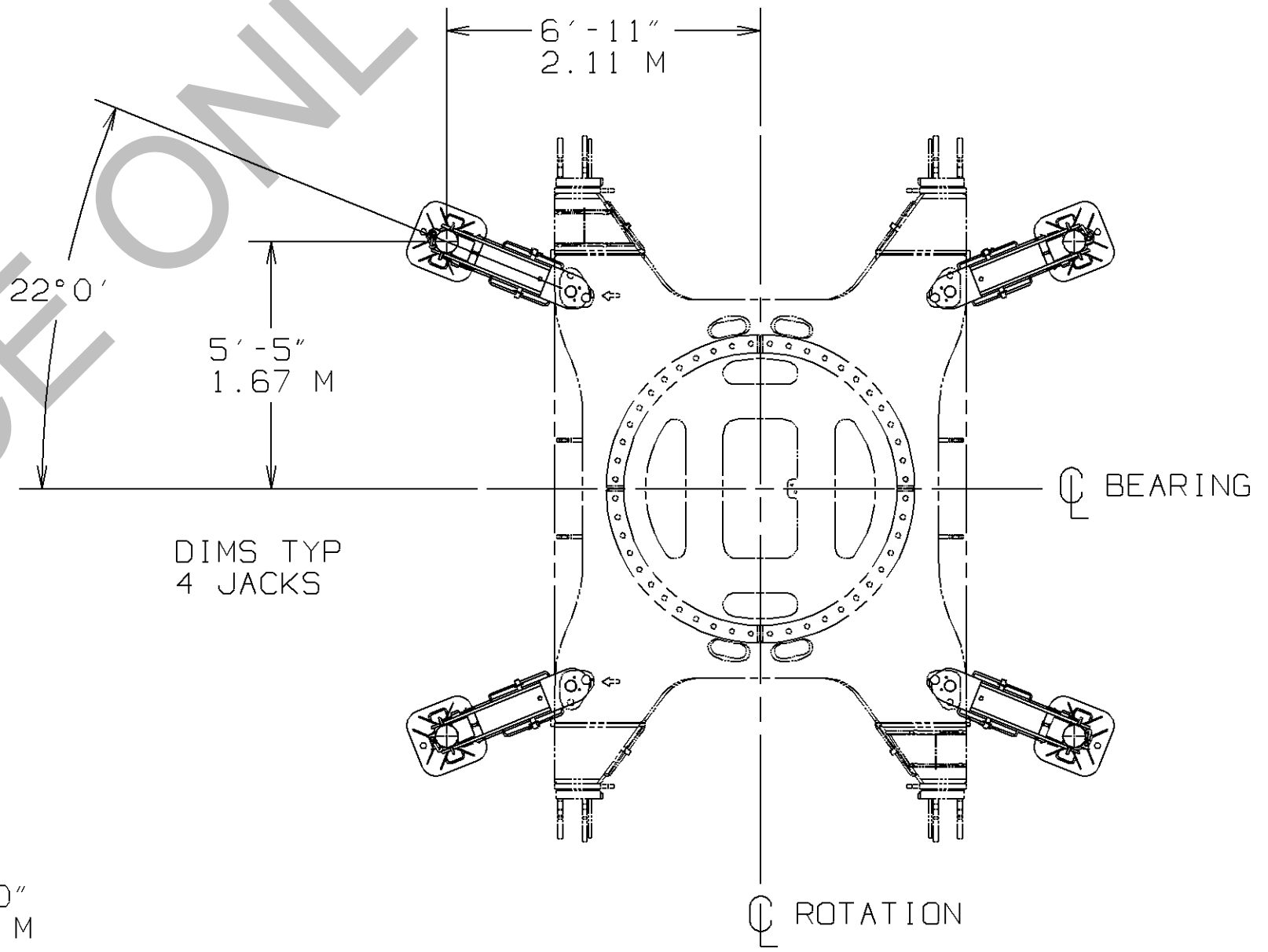
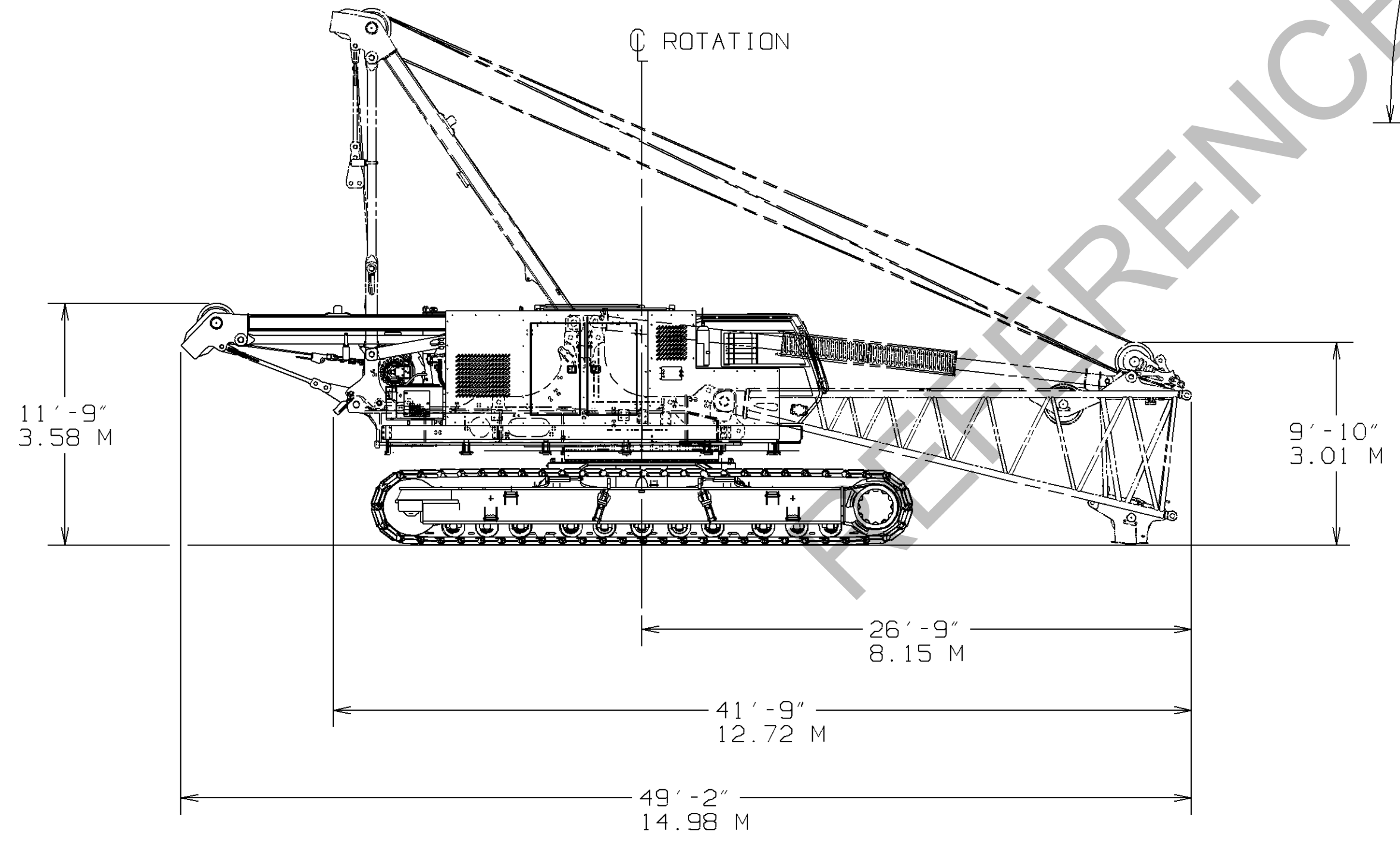
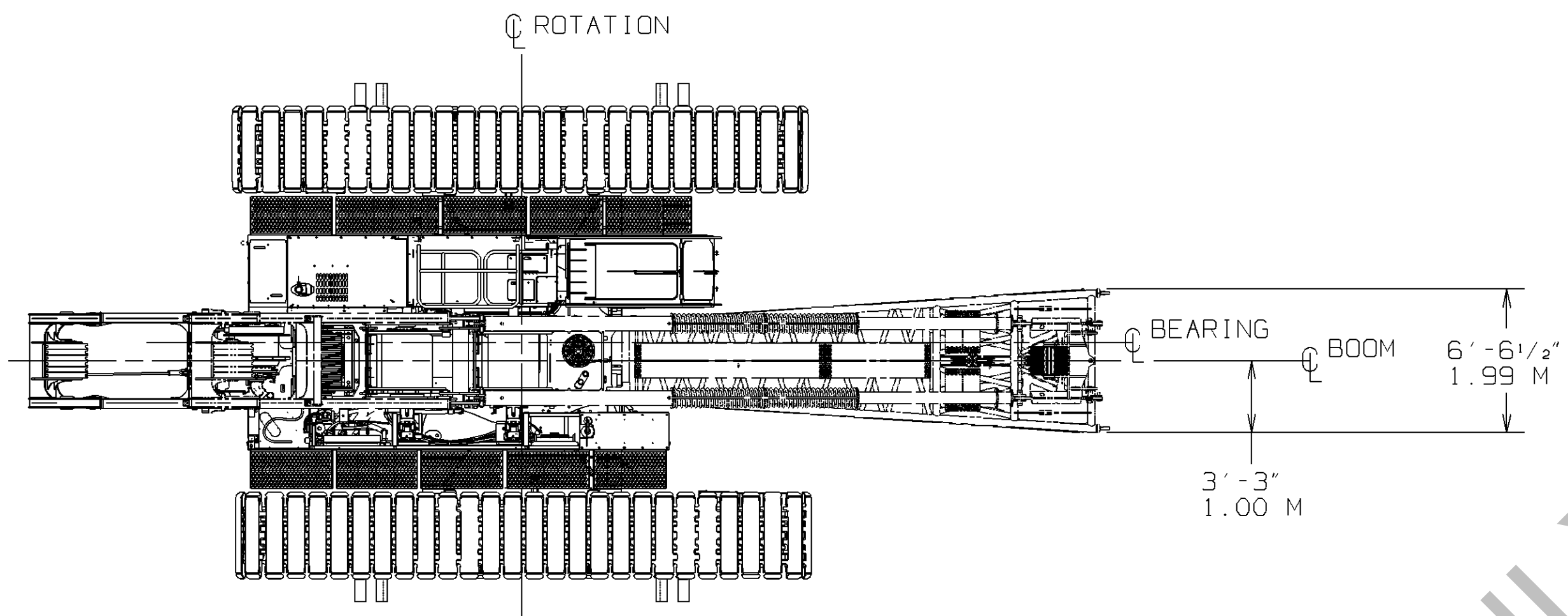
ASSEMBLIES USED ON

REVISIONS

DWG. NO. 80132961  
SHT 2 OF 2

PRIVATE LABELING REQUIREMENT TO CONFORM TO ENGINEERING SPECIFICATION 6829103794 FOR COMPONENTS LISTED IN GDS500-05-035  
DATE 11-23-20

REV. LTR. **A**  
DWG. NO. 80132961



CARBODY JACKS  
SCALE 0.025

DECIMAL PLACES	TOLERANCE UNLESS OTHERWISE SPECIFIED		MACHINING
	≤ 10 FEET	> 10 FEET	
(1) PLACE	0.0	±.12	±.03
(2) PLACE	0.00	±.06	±.015
(3) PLACE	0.000	±.03	±.005
ANGLES	±1°30'		±0°30'

SCALE	Manitowoc Cranes, Inc.	DIAGRAM
.015	Manitowoc, Wisconsin	OUTLINE DIMENSIONS
DR. RHV	MODEL MLC150-1	
CK. DLG		
APP. JRR		

DO NOT SCALE THIS DRAWING