

Clamshell/Grapple Capacities

Boom No. B10:350
26 090 kg Crane Counterweight
0 kg Carbody Counterweight
360 Degree Rating

MLC150-1
SERIES 0



LIFTING CAPACITIES: Lifting capacities for various boom lengths and operating radii are for freely suspended loads and may be based on percent of static tipping or strength of structural components. Capacities must be reduced by applicable deducts.

Weight of bucket is considered part of load. Where no capacity is shown, operation is not intended or approved.

Clamshell/grapple capacities shown are intended for limited duration applications. Continuous operation at these capacities may reduce component life.

OPERATING CONDITIONS: Machine to operate on a firm, level, and uniformly supporting surface. Refer to Boom Rigging **No. 80117858**, Wire Rope Specifications chart **No. 9834-B**, and Counterweight Arrangements chart **No. 9828-A**. Crane operator judgment must be used to allow for dynamic load effects of swinging, hoisting or lowering, travel, wind conditions, as well as adverse operating conditions and physical machine depreciation. Refer to the Operator Manual for operating guidelines.

WIND CONDITIONS: Machine may be operated in winds up to 16 m/s provided crane operator judgment is used to allow for wind effect on lifted load and other considerations noted on capacity chart are followed. Wind speed to be measured at boom point elevation. **Operation is not permitted when wind is above 16 m/s.** Park crane with bucket on ground or secured and position boom at 50 degrees. Lower boom onto blocking at ground level when wind is above 22 m/s.

MACHINE TRAVEL: Machine to travel on a firm, level, and uniformly supporting surface. Boom must be within boom angle range shown in capacity chart. Refer to Maximum Allowable Travel Specifications chart **No. 9832-B**.



OPERATING RADIUS: Operating radius is horizontal distance from axis of rotation to center of gravity of freely suspended load.



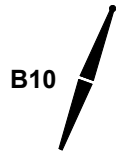
BOOM ANGLE: Boom angle in degrees (°) is angle between horizontal and centerline of boom butt and inserts, and is an indication of operating radius. In all cases, operating radius shall govern capacity.

MACHINE EQUIPMENT: Machine equipped with 7 980 mm crawlers, 1 200 mm treads, 5 300 mm gantry, drums 1 and 2, 10 part boom hoist reeving, boom straps, 26 090 kg crane counterweight, and 0 kg carbody counterweight.

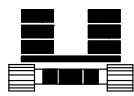
Raising Ability Over End or Side of Crawlers	
Boom Length (m)	Bucket Weight (kg)
15,0 - 30,0	3 850
33,0	3 075
36,0 - 39,0	2 075

Bucket weight includes the weight of all blocks, hooks, bucket, weight ball, slings and hoist lines beneath boom point sheaves.

Explanation of Symbols



Boom No. B10:350



Crane Counterweight
+
Carbody Counterweight



360 Degree Rating



Boom Length



Operating Radius
(see page 1)



Boom Angle
(see page 1)



Lifting Capacities
(see page 1)

MLC150-1 S-0



 26 090 kg
+
0 lb



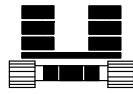
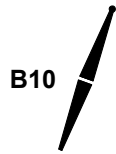
15,0 m		
m	°	kg
8,5	63,0	13 400
10,0	56,3	13 400
12,0	46,2	13 400
14,0	33,7	13 400

18,0 m		
m	°	kg
9,8	63,5	13 400
10,0	62,6	13 400
12,0	55,0	13 400
14,0	46,6	13 400
16,0	36,7	11 600

21,0 m		
m	°	kg
11,0	63,9	13 400
12,0	60,6	13 400
14,0	54,0	13 400
16,0	46,8	11 500
18,0	38,5	9 700

REFERENCE ONLY

MLC150-1 S-0



26 090 kg
+
0 lb



24,0 m

m	°	kg
12,2	64,1	13 400
14,0	59,1	13 400
16,0	53,3	11 300
18,0	47,0	9 500
20,0	39,8	8 100

27,0 m

m	°	kg
14,0	62,9	13 100
16,0	58,0	11 100
18,0	52,8	9 400
20,0	47,1	7 900
22,0	40,9	6 700
24,0	33,7	5 700

30,0 m

m	°	kg
15,2	63,2	11 500
16,0	61,5	10 800
18,0	57,0	9 100
20,0	52,3	7 700
22,0	47,2	6 500
24,0	41,6	5 500
26,0	35,4	4 600


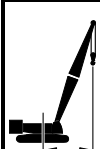


REFERENCE ONLY



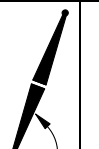

MLC150-1 S-0








26 090 kg
+ 0 lb



 33,0 m		
 m	 °	 kg
16,8	62,9	9 900
18,0	60,4	9 000
20,0	56,3	7 600
22,0	52,0	6 400
24,0	47,3	5 400
26,0	42,3	4 600
28,0	36,8	3 700

 36,0 m		
 m	 °	 kg
18,3	62,6	8 400
20,0	59,4	7 300
22,0	55,6	6 200
24,0	51,6	5 200
26,0	47,4	4 300
28,0	42,8	3 400
30,0	37,8	2 600

 39,0 m		
 m	 °	 kg
19,8	62,4	7 200
20,0	62,0	7 100
22,0	58,6	6 000
24,0	55,1	5 000
26,0	51,4	4 100
28,0	47,5	3 200
30,0	43,3	2 300

REFERENCE ONLY