

# Liftcrane Boom Butt Handling Capacities

## Operating Limits for Crane Assembly Drum 2 only

**HANDLING CAPACITIES:** Handling capacities are for crane self-assembly using boom butt guide sheave. Weight of weight ball, slings, hoist lines, etc., beneath boom butt guide sheave is considered part of load. Where no capacity is shown, operation is not intended or approved.

**OPERATING CONDITIONS:** Machine to operate on firm, level and uniformly supporting surface. Crane operator judgment must be used to allow for dynamic load effects of swinging, hoisting or lowering, travel, wind conditions, as well as adverse operating conditions and physical machine depreciation. Refer to the Operator Manual for operating guidelines.

**MACHINE EQUIPMENT:** Machine equipped with 17 ft 5 in. gantry, load drums 1 and 2, 10 part boom hoist reeving, and equalizer pinned to boom butt.

Crane on 2 or 4 jacks must be equipped with 0 lb crane counterweight and 0 lb carbody counterweight.

Crane equipped with 26 ft 2 in. crawlers and 48 in. treads must be equipped with 0 lb crane counterweight and 0 lb carbody counterweight; 0 lb crane counterweight and 35,000 lb carbody counterweight; 57,500 lb crane counterweight and 0 lb carbody counterweight; 75,200 lb crane counterweight and 0 lb carbody counterweight; or 110,500 lb crane counterweight and 35,000 lb carbody counterweight.

**OPERATING RADIUS:** Operating radius is horizontal distance from axis of rotation to center of vertical hoist line. Boom angle in degrees (°) is angle between horizontal and centerline of boom butt, and is an indication of operating radius. In all cases, operating radius shall govern capacity.

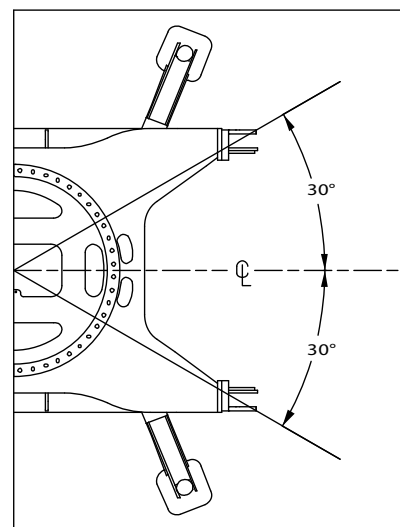
22.3 ft BOOM				
Operating Radius	Boom Angle	Crane on 4 Jacks	Crane on 2 Jacks	Crane on Crawlers
Feet	Degrees	Pounds	Pounds	Pounds
8.8	86.3	42,000	42,000	42,000
9	85.5	42,000	42,000	42,000
10	82.5	42,000	42,000	42,000
11	79.4	42,000	42,000	42,000
12	76.3	42,000	42,000	42,000
13	73.0	42,000	42,000	42,000
14	69.8	42,000	42,000	42,000
15	66.4	42,000	42,000	42,000
16	62.8	39,700	42,000	42,000
17	59.1	35,700	42,000	42,000
18	55.2	32,400	41,400	42,000
19	51.0	29,600	39,500	42,000
20	46.4	27,100	37,700	42,000
22	35.4	23,000	34,500	42,000

**Operating Restrictions on Jacks** (four jacks, no crawlers)

8.8 ft to 22 ft operating radius —  
360 degree swing permitted for handling loads.

**Operating Restrictions on Jacks with One Crawler Installed** (four jacks, one crawler installed)

8.8 ft to 22 ft operating radius —  
30 degree swing either side of center permitted for handling hook and chains. Refer to swing diagram.



**Operating Restrictions on Jacks and One Crawler Down** (two jacks with one crawler on ground)

8.8 ft to 22 ft operating radius —  
360 degree swing permitted for handling loads.

**Operating Restrictions on Crawlers**

8.8 ft to 22 ft operating radius —  
360 degree swing permitted for handling loads.