

Liftcrane Jib Capacities

Jib No. 148 on
 Boom No. B15:505-500
 215 200 kg VPC (Variable Position Counterweight)
 360 Degree Rating

MLC300 SERIES 3



LIFTING CAPACITIES: Chart supplements Boom Capacity chart **No. 9678-AM**. Lifting capacities for various boom lengths, jib lengths, and jib operating radii are for freely suspended loads and may be based on percent of static tipping or strength of structural components. Capacities must be reduced by applicable deducts.

Weight of all load blocks, hooks, weight ball, slings, hoist lines, etc., beneath boom and jib point sheaves is considered part of the jib load. Boom and jib are not to be lowered beyond radii where combined weights are greater than rated capacity. Where no capacity is shown, operation is not intended or approved.

OPERATING CONDITIONS: Machine to operate on a firm, level, and uniformly supporting surface. Refer to Boom Rigging **No. 80109323**, Jib Rigging **No. 81023385**, Wire Rope Specifications chart **No. 9689-A**, Counterweight Arrangements chart **No. 9345-A**, and Wind Conditions chart **No. 9688-A**. Crane operator judgment must be used to allow for dynamic load effects of swinging, hoisting or lowering, travel, wind conditions, as well as adverse operating conditions and physical machine depreciation. Refer to the Operator Manual for operating guidelines.

MACHINE TRAVEL: Machine to travel on a firm, level, and uniformly supporting surface. Boom must be within boom angle range shown in capacity chart. Refer to Maximum Allowable Travel Specifications chart **No. 9687-A**.



OPERATING RADIUS: Operating radius is horizontal distance from axis of rotation to center of vertical hoist line or load block.



BOOM ANGLE: Boom angle in degrees ($^{\circ}$) is angle between horizontal and centerline of boom butt and inserts, and is an indication of operating radius. In all cases, operating radius shall govern capacity.



JIB POINT ELEVATION: Jib point elevation is vertical distance from ground level to centerline of jib point shaft.

MACHINE EQUIPMENT: Machine equipped with 9 700 mm crawlers, 1 219 mm or 1 524 mm treads, 9 144 mm live mast, 24 part boom hoist reeving, boom support straps, and 215 200 kg VPC.

Luffing Jib Backstay Deduct	
Boom Length (m)	Deduct (kg)
42,0	1 900
48,0	2 100
54,0	2 400
60,0	2 700
66,0	3 000
72,0	3 200

Deduct the appropriate value from capacities when luffing jib backstays are stored on boom.

Refer to Table 1 (with luffing jib backstays stored) and Table 2 (without luffing jib backstays stored) for raising ability with the maximum weight of all load blocks, hooks, weight ball, slings, and hoist lines beneath boom and jib point sheaves. For block weights shown with #, load blocks, hooks, weight ball, and slings must remain on ground until combined weights are within rated capacity of chart. Raising is not permitted in shaded areas of table.

Combined weight beneath boom and jib point sheaves must not exceed block weight shown. Total weight beneath jib point must not exceed 2 800 kg.

Table 1: With Luffing Jib Backstays

Over End or Side of Crawlers						
Boom Length (m)	Jib No. 148					
	12,0 m	18,0 m	24,0 m	30,0 m	36,0 m	42,0 m
Block Weight (kg)						
42,0	10 300	10 300	10 300	10 300	10 300	10 300
48,0	10 300	10 300	10 300	10 300	10 300	10 300
54,0	10 300	10 300	10 300	10 300	10 300	7 100
60,0	10 300	10 300	7 100	7 100	7 100	3 700
66,0	7 100	3 700	3 700	3 700	#	#
72,0	3 700	#	#	#	#	#
78,0	Raising Not Permitted					

Table 2: Without Luffing Jib Backstays

Over End or Side of Crawlers						
Boom Length (m)	Jib No. 148					
	12,0 m	18,0 m	24,0 m	30,0 m	36,0 m	42,0 m
Block Weight (kg)						
42,0	10 300	10 300	10 300	10 300	10 300	10 300
48,0	10 300	10 300	10 300	10 300	10 300	10 300
54,0	10 300	10 300	10 300	10 300	10 300	10 300
60,0	10 300	10 300	10 300	7 100	7 100	3 700
66,0	7 100	7 100	7 100	3 700	3 700	#
72,0	3 700	3 700	3 700	#	#	#
78,0	#	#	#	#	#	

Explanation of Symbols



Jib No. 148
+
Boom No. B15:505-500



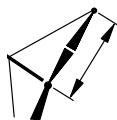
VPC (Variable Position Counterweight)



360 Degree Rating



Boom Length



Jib Length



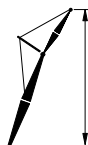
Jib Offset Angle



Operating Radius
(see page 1)



Boom Angle
(see page 1)



Jib Point Elevation
(see page 1)

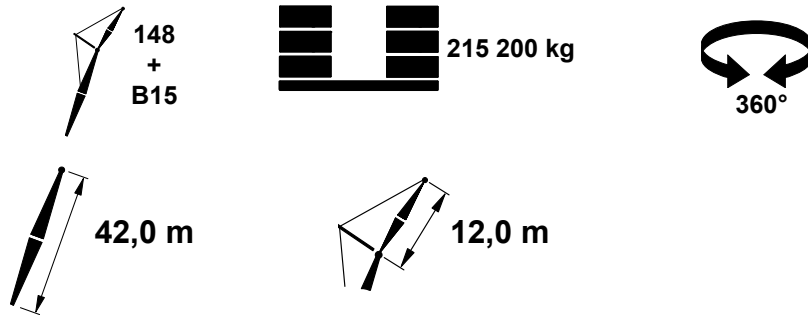


Lifting Capacities
(see page 1)

REFERENCE ONLY!

MLC300 S-3

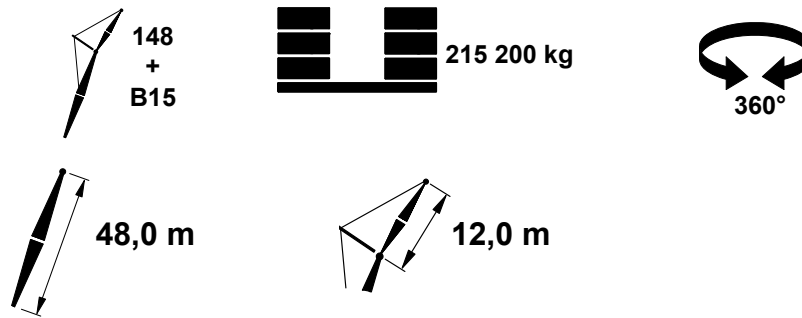
ASME B30.5



m	10°			20°			m
	o	m	kg	o	m	kg	
9,1	84,9	55,9	65 000				9,1
10,0	84,0	55,8	65 000				10,0
11,0	82,9	55,6	65 000	84,9	55,1	65 000	11,0
12,0	81,8	55,4	65 000	83,8	55,0	64 600	12,0
13,0	80,7	55,2	65 000	82,7	54,8	62 600	13,0
14,0	79,7	55,0	65 000	81,6	54,5	60 500	14,0
15,0	78,6	54,7	65 000	80,5	54,3	58 500	15,0
16,0	77,5	54,5	65 000	79,4	54,0	56 600	16,0
17,0	76,4	54,2	65 000	78,3	53,7	54 900	17,0
18,0	75,3	53,9	65 000	77,2	53,4	53 300	18,0
19,0	74,2	53,6	65 000	76,1	53,1	51 700	19,0
20,0	73,1	53,2	64 700	74,9	52,7	50 300	20,0
22,0	70,8	52,4	61 900	72,7	51,9	47 700	22,0
24,0	68,5	51,6	58 000	70,3	51,1	45 300	24,0
26,0	66,1	50,6	54 500	68,0	50,1	43 200	26,0
28,0	63,8	49,6	51 500	65,6	49,0	41 300	28,0
30,0	61,3	48,4	48 800	63,1	47,8	39 600	30,0
32,0	58,8	47,1	45 900	60,5	46,5	38 100	32,0
34,0	56,2	45,7	42 700	57,9	45,1	36 700	34,0
36,0	53,5	44,1	39 800	55,2	43,5	35 400	36,0
38,0	50,7	42,4	37 300	52,4	41,7	34 300	38,0
40,0	47,8	40,5	35 000	49,4	39,8	33 200	40,0
42,0	44,7	38,3	33 000	46,3	37,6	32 300	42,0
44,0	41,5	36,0	31 200	42,9	35,2	31 200	44,0
46,0	37,9	33,3	29 500	39,3	32,5	29 600	46,0
48,0	34,0	30,2	28 000	35,3	29,3	28 000	48,0
50,0	29,7	26,6	26 600	30,8	25,6	26 600	50,0
52,0	24,5	22,1	25 300				52,0

MLC300 S-3

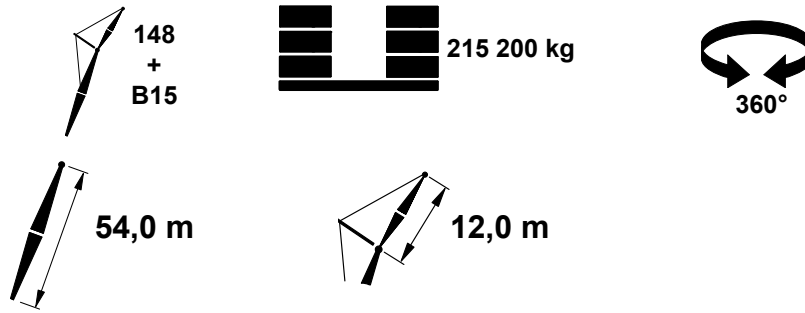
ASME B30.5



m	10°			20°			m
	°	m	kg	°	m	kg	
9,8	84,8	61,9	65 000				9,8
10,0	84,6	61,8	65 000				10,0
11,0	83,6	61,7	65 000				11,0
12,0	82,7	61,5	65 000	84,4	61,1	64 800	12,0
13,0	81,7	61,3	65 000	83,5	60,9	63 600	13,0
14,0	80,7	61,1	65 000	82,5	60,7	62 000	14,0
15,0	79,7	60,9	65 000	81,5	60,4	60 100	15,0
16,0	78,8	60,7	65 000	80,5	60,2	58 300	16,0
17,0	77,8	60,4	65 000	79,5	59,9	56 700	17,0
18,0	76,8	60,2	65 000	78,5	59,7	55 100	18,0
19,0	75,8	59,9	65 000	77,5	59,4	53 600	19,0
20,0	74,8	59,5	65 000	76,5	59,1	52 200	20,0
22,0	72,8	58,9	64 500	74,5	58,4	49 700	22,0
24,0	70,8	58,1	61 700	72,4	57,6	47 400	24,0
26,0	68,7	57,3	58 200	70,4	56,7	45 300	26,0
28,0	66,6	56,3	54 100	68,2	55,8	43 400	28,0
30,0	64,5	55,3	49 800	66,1	54,8	41 700	30,0
32,0	62,3	54,2	46 000	63,9	53,6	40 100	32,0
34,0	60,1	52,9	42 800	61,6	52,4	38 700	34,0
36,0	57,8	51,6	40 000	59,3	51,0	37 400	36,0
38,0	55,4	50,2	37 400	56,9	49,6	36 200	38,0
40,0	53,0	48,6	35 200	54,5	48,0	35 000	40,0
42,0	50,5	46,8	33 100	51,9	46,2	33 200	42,0
44,0	47,8	44,9	31 300	49,3	44,3	31 400	44,0
46,0	45,1	42,8	29 600	46,5	42,2	29 700	46,0
48,0	42,2	40,5	28 100	43,5	39,8	28 200	48,0
50,0	39,1	38,0	26 700	40,4	37,2	26 800	50,0
52,0	35,8	35,1	25 500	36,9	34,2	25 500	52,0
54,0	32,1	31,8	24 300	33,2	30,9	24 300	54,0
56,0	28,0	28,0	23 200	28,9	26,8	23 200	56,0
58,0	23,1	23,2	21 800				58,0

MLC300 S-3

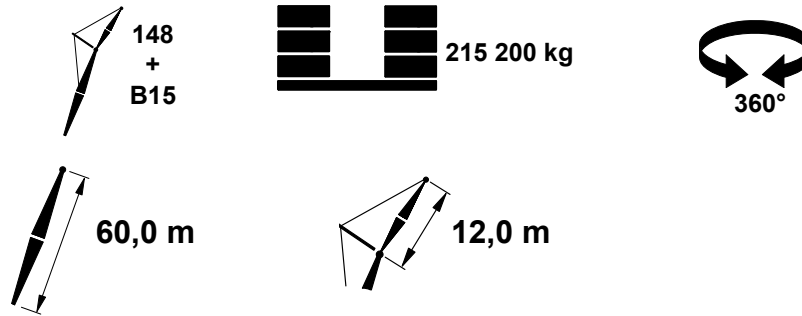
ASME B30.5



m	10°			20°			m
	°	m	kg	°	m	kg	
10,4	84,8	67,8	65 000				10,4
11,0	84,2	67,8	65 000				11,0
12,0	83,3	67,6	65 000				12,0
13,0	82,4	67,4	65 000	84,1	67,0	64 000	13,0
14,0	81,6	67,3	65 000	83,2	66,8	63 200	14,0
15,0	80,7	67,1	65 000	82,3	66,6	61 400	15,0
16,0	79,8	66,8	65 000	81,4	66,4	59 800	16,0
17,0	78,9	66,6	65 000	80,5	66,1	58 200	17,0
18,0	78,0	66,4	65 000	79,6	65,9	56 700	18,0
19,0	77,1	66,1	65 000	78,7	65,6	55 300	19,0
20,0	76,2	65,8	65 000	77,8	65,3	53 900	20,0
22,0	74,4	65,2	64 900	76,0	64,7	51 500	22,0
24,0	72,6	64,5	64 200	74,1	64,0	49 200	24,0
26,0	70,7	63,8	59 300	72,3	63,2	47 100	26,0
28,0	68,9	62,9	54 300	70,4	62,4	45 300	28,0
30,0	67,0	62,0	50 000	68,5	61,5	43 600	30,0
32,0	65,0	61,0	46 200	66,5	60,5	42 000	32,0
34,0	63,1	59,9	43 000	64,5	59,4	40 600	34,0
36,0	61,1	58,8	40 100	62,5	58,2	39 200	36,0
38,0	59,0	57,5	37 600	60,4	56,9	37 700	38,0
40,0	56,9	56,1	35 300	58,3	55,5	35 400	40,0
42,0	54,8	54,6	33 300	56,1	54,0	33 400	42,0
44,0	52,6	53,0	31 500	53,9	52,4	31 500	44,0
46,0	50,3	51,3	29 800	51,6	50,7	29 900	46,0
48,0	47,9	49,4	28 300	49,2	48,7	28 300	48,0
50,0	45,4	47,4	26 900	46,6	46,7	26 900	50,0
52,0	42,8	45,1	25 600	44,0	44,4	25 700	52,0
54,0	40,1	42,6	24 300	41,2	41,9	24 500	54,0
56,0	37,1	39,9	22 800	38,2	39,1	23 100	56,0
58,0	34,0	36,8	21 200	35,0	35,9	21 400	58,0
60,0	30,5	33,4	19 700	31,4	32,3	19 800	60,0
62,0	26,6	29,3	18 200				62,0
64,0	21,9	24,3	16 700				64,0

MLC300 S-3

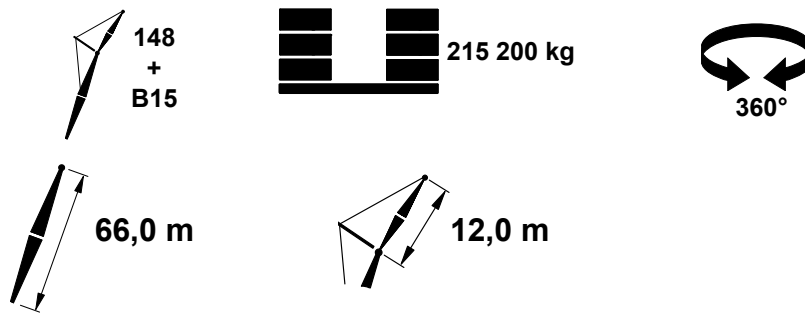
ASME B30.5



	10°			20°			
	°	m	kg	°	m	kg	
11,0	84,7	73,8	65 000				11,0
12,0	83,9	73,7	65 000				12,0
13,0	83,1	73,5	65 000				13,0
14,0	82,3	73,4	65 000	83,8	72,9	63 300	14,0
15,0	81,5	73,2	65 000	82,9	72,7	62 400	15,0
16,0	80,7	73,0	65 000	82,1	72,5	61 000	16,0
17,0	79,9	72,8	65 000	81,3	72,3	59 500	17,0
18,0	79,0	72,5	65 000	80,5	72,0	58 100	18,0
19,0	78,2	72,3	65 000	79,7	71,8	56 700	19,0
20,0	77,4	72,0	64 900	78,8	71,5	55 400	20,0
22,0	75,8	71,5	64 600	77,2	71,0	53 000	22,0
24,0	74,1	70,9	64 200	75,5	70,3	50 800	24,0
26,0	72,4	70,2	59 400	73,8	69,7	48 800	26,0
28,0	70,7	69,4	54 400	72,1	68,9	47 000	28,0
30,0	69,0	68,6	50 100	70,4	68,1	45 300	30,0
32,0	67,3	67,7	46 300	68,6	67,2	43 700	32,0
34,0	65,5	66,7	43 100	66,9	66,2	42 300	34,0
36,0	63,7	65,7	40 300	65,1	65,1	40 400	36,0
38,0	61,9	64,6	37 700	63,2	64,0	37 800	38,0
40,0	60,1	63,4	35 400	61,3	62,8	35 600	40,0
42,0	58,2	62,0	33 400	59,4	61,5	33 500	42,0
44,0	56,2	60,6	31 600	57,5	60,0	31 700	44,0
46,0	54,2	59,1	29 900	55,5	58,5	30 000	46,0
48,0	52,2	57,5	28 400	53,4	56,9	28 500	48,0
50,0	50,1	55,8	27 000	51,3	55,1	27 100	50,0
52,0	47,9	53,9	25 200	49,1	53,2	25 600	52,0
54,0	45,7	51,9	23 500	46,8	51,2	23 800	54,0
56,0	43,3	49,7	21 800	44,4	48,9	22 100	56,0
58,0	40,8	47,3	20 200	41,9	46,5	20 500	58,0
60,0	38,2	44,6	18 800	39,2	43,8	19 000	60,0
62,0	35,4	41,7	17 400	36,4	40,8	17 600	62,0
64,0	32,4	38,5	16 000	33,3	37,5	16 200	64,0
66,0	29,1	34,8	14 800	29,8	33,7	14 900	66,0
68,0	25,3	30,5	13 500				68,0
70,0	20,9	25,3	12 300				70,0

MLC300 S-3

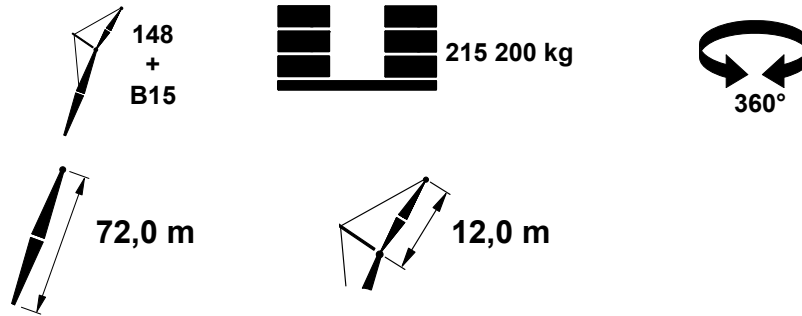
ASME B30.5



m	10°			20°			m
	°	m	kg	°	m	kg	
11,6	84,7	79,8	65 000				11,6
12,0	84,4	79,7	65 000				12,0
13,0	83,6	79,6	65 000				13,0
14,0	82,9	79,4	65 000	84,2	78,9	62 800	14,0
15,0	82,1	79,2	65 000	83,5	78,7	62 500	15,0
16,0	81,4	79,1	65 000	82,7	78,6	61 700	16,0
17,0	80,6	78,9	64 900	82,0	78,4	60 600	17,0
18,0	79,9	78,7	64 900	81,2	78,2	59 200	18,0
19,0	79,1	78,4	64 700	80,5	77,9	57 900	19,0
20,0	78,4	78,2	64 500	79,7	77,7	56 700	20,0
22,0	76,9	77,7	64 200	78,2	77,2	54 400	22,0
24,0	75,4	77,1	63 800	76,7	76,6	52 200	24,0
26,0	73,8	76,5	59 500	75,1	76,0	50 300	26,0
28,0	72,3	75,8	54 500	73,6	75,3	48 500	28,0
30,0	70,7	75,0	50 200	72,0	74,5	46 800	30,0
32,0	69,1	74,2	46 400	70,4	73,7	45 300	32,0
34,0	67,5	73,4	43 200	68,8	72,8	43 400	34,0
36,0	65,9	72,4	40 400	67,1	71,9	40 500	36,0
38,0	64,3	71,4	37 800	65,5	70,8	38 000	38,0
40,0	62,6	70,3	35 600	63,8	69,7	35 700	40,0
42,0	60,9	69,1	33 500	62,1	68,6	33 600	42,0
44,0	59,2	67,9	31 700	60,4	67,3	31 800	44,0
46,0	57,4	66,5	30 000	58,6	65,9	30 100	46,0
48,0	55,6	65,1	28 000	56,8	64,5	28 400	48,0
50,0	53,8	63,6	25 900	54,9	63,0	26 400	50,0
52,0	51,9	62,0	24 000	53,0	61,3	24 500	52,0
54,0	49,9	60,2	22 300	51,0	59,5	22 700	54,0
56,0	47,9	58,3	20 700	49,0	57,6	21 000	56,0
58,0	45,8	56,3	19 100	46,9	55,6	19 500	58,0
60,0	43,7	54,2	17 700	44,7	53,4	18 000	60,0
62,0	41,4	51,8	16 400	42,4	51,0	16 600	62,0
64,0	39,1	49,3	15 100	40,0	48,4	15 300	64,0
66,0	36,6	46,5	13 900	37,4	45,6	14 100	66,0
68,0	33,9	43,4	12 700	34,7	42,5	12 900	68,0
70,0	31,0	40,0	11 600	31,7	39,0	11 700	70,0
72,0	27,8	36,2	10 500	28,4	35,0	10 600	72,0
74,0	24,2	31,6	9 400				74,0
76,0	19,9	26,1	8 400				76,0

MLC300 S-3

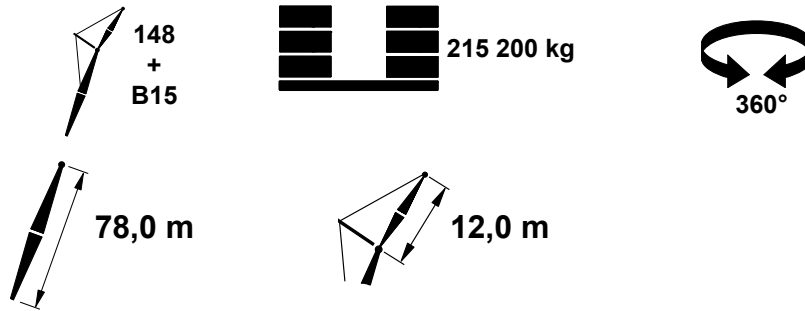
ASME B30.5



m	10°			20°			m
	°	m	kg	°	m	kg	
12,2	84,6	85,7	65 000				12,2
13,0	84,1	85,6	65 000				13,0
14,0	83,4	85,5	64 900	84,7	85,0	60 800	14,0
15,0	82,7	85,3	64 700	84,0	84,8	60 500	15,0
16,0	82,0	85,2	64 600	83,3	84,7	60 100	16,0
17,0	81,3	85,0	64 400	82,6	84,5	59 800	17,0
18,0	80,6	84,8	64 200	81,9	84,3	59 500	18,0
19,0	79,9	84,6	64 000	81,2	84,1	58 800	19,0
20,0	79,2	84,4	63 800	80,5	83,9	57 800	20,0
22,0	77,8	83,9	63 400	79,1	83,4	55 600	22,0
24,0	76,4	83,4	63 100	77,7	82,8	53 500	24,0
26,0	75,0	82,8	59 600	76,2	82,3	51 600	26,0
28,0	73,6	82,1	54 600	74,8	81,6	49 800	28,0
30,0	72,1	81,5	50 300	73,3	80,9	48 200	30,0
32,0	70,7	80,7	46 600	71,9	80,2	46 700	32,0
34,0	69,2	79,9	43 300	70,4	79,4	43 500	34,0
36,0	67,7	79,0	40 500	68,9	78,5	40 600	36,0
38,0	66,2	78,1	37 900	67,4	77,6	38 100	38,0
40,0	64,7	77,1	35 700	65,9	76,6	35 800	40,0
42,0	63,2	76,1	33 600	64,3	75,5	33 700	42,0
44,0	61,6	74,9	31 300	62,7	74,3	31 900	44,0
46,0	60,0	73,7	28 900	61,1	73,1	29 500	46,0
48,0	58,4	72,4	26 700	59,5	71,8	27 300	48,0
50,0	56,8	71,1	24 700	57,9	70,5	25 200	50,0
52,0	55,1	69,6	22 800	56,2	69,0	23 300	52,0
54,0	53,4	68,1	21 100	54,4	67,4	21 600	54,0
56,0	51,6	66,4	19 500	52,6	65,8	19 900	56,0
58,0	49,8	64,7	18 000	50,8	64,0	18 400	58,0
60,0	47,9	62,8	16 600	48,9	62,1	16 900	60,0
62,0	46,0	60,8	15 200	47,0	60,1	15 600	62,0
64,0	44,0	58,7	14 000	45,0	57,9	14 300	64,0
66,0	42,0	56,4	12 800	42,9	55,6	13 100	66,0
68,0	39,8	53,9	11 700	40,7	53,1	11 900	68,0
70,0	37,5	51,2	10 600	38,4	50,4	10 800	70,0
72,0	35,1	48,3	9 600	35,9	47,4	9 800	72,0
74,0	32,5	45,1	8 600	33,3	44,1	8 800	74,0
76,0	29,8	41,5	7 700	30,4	40,5	7 800	76,0
80,0	23,2	32,8	5 800				80,0

MLC300 S-3

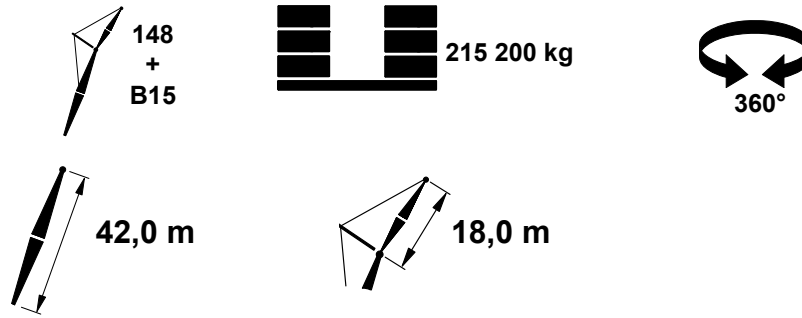
ASME B30.5



m	10°			20°			m
	°	m	kg	°	m	kg	
12,2	85,0	91,8	64 000				12,2
13,0	84,5	91,7	63 800				13,0
14,0	83,8	91,6	63 600				14,0
15,0	83,2	91,4	63 400				15,0
16,0	82,5	91,2	63 200			57 300	16,0
17,0	81,9	91,1	63 000	83,7	90,7	56 600	17,0
18,0	81,3	90,9	62 800	82,4	90,4	55 500	18,0
19,0	80,6	90,7	62 200	81,8	90,2	54 500	19,0
20,0	80,0	90,5	61 400	81,1	90,0	53 500	20,0
22,0	78,7	90,1	58 900	79,8	89,5	51 600	22,0
24,0	77,4	89,6	56 500	78,5	89,1	49 800	24,0
26,0	76,0	89,0	54 300	77,2	88,5	48 200	26,0
28,0	74,7	88,4	52 300	75,8	87,9	46 600	28,0
30,0	73,4	87,8	49 800	74,5	87,3	45 200	30,0
32,0	72,0	87,1	46 300	73,2	86,6	43 800	32,0
34,0	70,7	86,4	43 000	71,8	85,8	42 500	34,0
36,0	69,3	85,6	40 200	70,4	85,0	40 400	36,0
38,0	67,9	84,7	37 600	69,0	84,2	37 800	38,0
40,0	66,5	83,8	35 300	67,6	83,2	35 500	40,0
42,0	65,1	82,8	32 800	66,2	82,3	33 400	42,0
44,0	63,7	81,8	30 200	64,8	81,2	30 900	44,0
46,0	62,2	80,7	27 800	63,3	80,1	28 400	46,0
48,0	60,8	79,5	25 600	61,8	78,9	26 200	48,0
50,0	59,3	78,3	23 600	60,3	77,7	24 200	50,0
52,0	57,8	77,0	21 700	58,8	76,4	22 300	52,0
54,0	56,2	75,6	20 000	57,2	75,0	20 500	54,0
56,0	54,6	74,1	18 400	55,6	73,5	18 900	56,0
58,0	53,0	72,6	16 900	54,0	71,9	17 400	58,0
60,0	51,4	70,9	15 500	52,3	70,2	15 900	60,0
62,0	49,7	69,2	14 200	50,6	68,5	14 600	62,0
64,0	48,0	67,3	13 000	48,9	66,6	13 300	64,0
66,0	46,2	65,3	11 800	47,1	64,6	12 200	66,0
68,0	44,3	63,2	10 700	45,2	62,5	11 000	68,0
70,0	42,4	60,9	9 700	43,3	60,2	10 000	70,0
72,0	40,4	58,5	8 700	41,3	57,7	8 900	72,0
74,0	38,3	55,9	7 700	39,1	55,1	8 000	74,0
76,0	36,2	53,1	6 800	36,9	52,2	7 000	76,0
80,0	31,4	46,7	5 100	32,0	45,7	5 300	80,0
84,0	25,7	38,8	3 500				84,0

MLC300 S-3

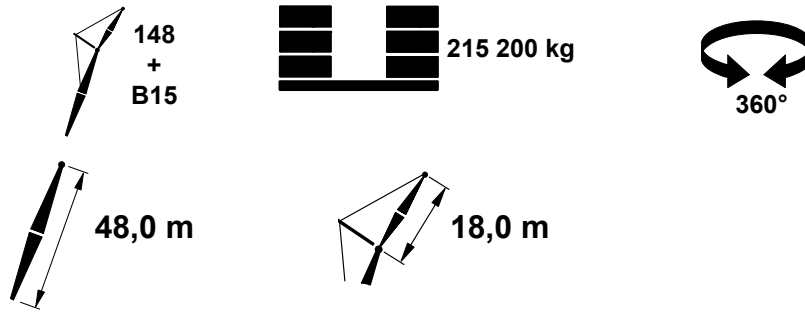
ASME B30.5



	10°			20°			
	Diagram	Diagram	Diagram	Diagram	Diagram	Diagram	
	m	°	m	kg	°	m	kg
11,6	84,6	61,5	52 200				11,6
12,0	84,2	61,4	51 800				12,0
13,0	83,2	61,2	50 800				13,0
14,0	82,2	61,0	49 900				14,0
15,0	81,2	60,8	49 000				15,0
16,0	80,3	60,6	48 200	82,9	59,9	39 300	16,0
17,0	79,3	60,3	47 400	81,9	59,6	38 100	17,0
18,0	78,3	60,0	46 600	80,9	59,4	37 000	18,0
19,0	77,3	59,7	45 800	79,9	59,1	35 900	19,0
20,0	76,3	59,4	45 100	78,9	58,7	34 900	20,0
22,0	74,3	58,7	43 700	76,9	58,0	33 100	22,0
24,0	72,2	58,0	41 800	74,8	57,3	31 400	24,0
26,0	70,2	57,1	39 400	72,7	56,4	30 000	26,0
28,0	68,1	56,2	37 300	70,6	55,5	28 600	28,0
30,0	65,9	55,2	35 300	68,4	54,4	27 400	30,0
32,0	63,7	54,0	33 500	66,2	53,3	26 300	32,0
34,0	61,5	52,8	32 000	63,9	52,0	25 300	34,0
36,0	59,2	51,5	30 500	61,6	50,7	24 400	36,0
38,0	56,9	50,0	29 200	59,2	49,2	23 500	38,0
40,0	54,4	48,4	28 000	56,7	47,6	22 700	40,0
42,0	51,9	46,7	26 900	54,1	45,8	22 000	42,0
44,0	49,3	44,8	25 900	51,4	43,8	21 400	44,0
46,0	46,5	42,7	25 000	48,6	41,7	20 800	46,0
48,0	43,6	40,4	24 100	45,6	39,3	20 200	48,0
50,0	40,5	37,8	23 400	42,4	36,7	19 700	50,0
52,0	37,1	34,9	22 700	39,0	33,7	19 300	52,0
54,0	33,5	31,6	22 000	35,1	30,2	18 900	54,0
56,0	29,3	27,7	21 400	30,7	26,1	18 600	56,0
58,0	24,3	22,9	20 900				58,0

MLC300 S-3

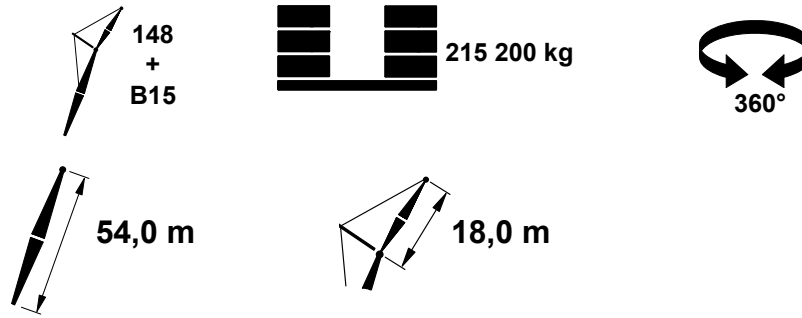
ASME B30.5



m	10°			20°			m
	°	m	kg	°	m	kg	
12,2	84,5	67,4	51 700				12,2
13,0	83,8	67,3	51 000				13,0
14,0	82,9	67,1	50 200				14,0
15,0	82,1	66,9	49 400				15,0
16,0	81,2	66,7	48 600				16,0
17,0	80,3	66,5	47 900	83,6	66,0	40 100	17,0
18,0	79,4	66,2	47 200	81,8	65,5	37 900	18,0
19,0	78,5	66,0	46 500	80,9	65,3	36 800	19,0
20,0	77,6	65,7	45 800	80,0	65,0	35 900	20,0
22,0	75,8	65,1	44 500	78,1	64,4	34 100	22,0
24,0	73,9	64,4	43 300	76,3	63,7	32 500	24,0
26,0	72,1	63,6	41 600	74,4	62,9	31 100	26,0
28,0	70,2	62,8	39 400	72,5	62,1	29 800	28,0
30,0	68,3	61,9	37 400	70,6	61,1	28 600	30,0
32,0	66,4	60,9	35 600	68,6	60,1	27 500	32,0
34,0	64,4	59,8	34 000	66,6	59,0	26 500	34,0
36,0	62,4	58,6	32 500	64,6	57,8	25 600	36,0
38,0	60,3	57,4	31 200	62,5	56,5	24 700	38,0
40,0	58,2	56,0	29 900	60,4	55,1	23 900	40,0
42,0	56,1	54,5	28 800	58,2	53,6	23 200	42,0
44,0	53,9	52,9	27 800	55,9	52,0	22 500	44,0
46,0	51,6	51,1	26 800	53,6	50,2	21 900	46,0
48,0	49,2	49,2	25 900	51,1	48,3	21 300	48,0
50,0	46,7	47,2	25 100	48,6	46,2	20 700	50,0
52,0	44,1	44,9	24 300	45,9	43,9	20 300	52,0
54,0	41,3	42,4	23 600	43,1	41,3	19 800	54,0
56,0	38,4	39,7	22 900	40,0	38,5	19 400	56,0
58,0	35,2	36,6	22 100	36,7	35,3	19 100	58,0
60,0	31,7	33,1	21 200	33,1	31,6	18 800	60,0
62,0	27,7	29,0	20 300				62,0
64,0	23,0	23,9	19 000				64,0

MLC300 S-3

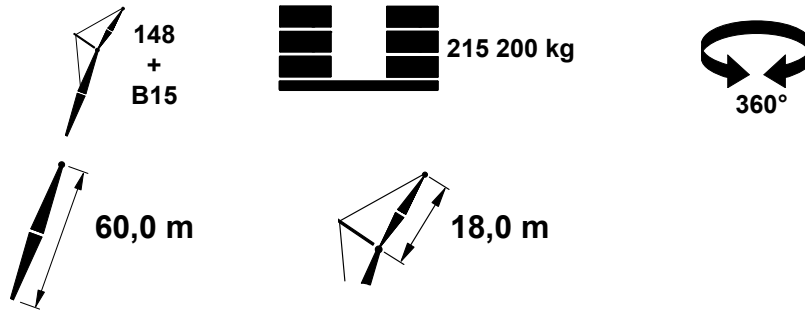
ASME B30.5



m	10°			20°			m
	°	m	kg	°	m	kg	
12,2	85,0	73,5	51 400				12,2
13,0	84,3	73,4	50 900				13,0
14,0	83,5	73,2	50 300				14,0
15,0	82,7	73,0	49 600				15,0
16,0	81,9	72,8	48 900			40 700	16,0
17,0	81,1	72,6	48 200	84,1	72,1	39 600	17,0
18,0	80,3	72,4	47 600	82,5	71,7	38 600	18,0
19,0	79,5	72,2	46 900	81,7	71,4	37 600	19,0
20,0	78,7	71,9	46 300	80,8	71,2	36 700	20,0
22,0	77,0	71,3	45 100	79,2	70,6	35 000	22,0
24,0	75,3	70,7	44 000	77,5	70,0	33 500	24,0
26,0	73,7	70,0	42 900	75,8	69,3	32 100	26,0
28,0	72,0	69,3	41 400	74,1	68,5	30 800	28,0
30,0	70,2	68,5	39 400	72,3	67,7	29 600	30,0
32,0	68,5	67,6	37 600	70,6	66,8	28 600	32,0
34,0	66,7	66,6	35 900	68,8	65,8	27 600	34,0
36,0	64,9	65,5	34 400	67,0	64,7	26 600	36,0
38,0	63,1	64,4	33 000	65,1	63,6	25 800	38,0
40,0	61,3	63,2	31 800	63,2	62,4	25 000	40,0
42,0	59,4	61,9	30 600	61,3	61,0	24 200	42,0
44,0	57,4	60,5	29 500	59,3	59,6	23 600	44,0
46,0	55,4	59,0	28 500	57,3	58,1	22 900	46,0
48,0	53,4	57,3	27 500	55,2	56,4	22 300	48,0
50,0	51,3	55,6	26 700	53,1	54,6	21 800	50,0
52,0	49,1	53,7	25 500	50,9	52,7	21 200	52,0
54,0	46,8	51,7	24 300	48,6	50,6	20 800	54,0
56,0	44,5	49,5	23 200	46,1	48,4	20 300	56,0
58,0	42,0	47,1	22 200	43,6	45,9	19 900	58,0
60,0	39,3	44,4	21 100	40,9	43,2	19 500	60,0
62,0	36,5	41,5	19 700	38,0	40,2	19 200	62,0
64,0	33,5	38,2	18 400	34,8	36,8	18 600	64,0
66,0	30,1	34,5	17 100	31,3	32,9	17 300	66,0
68,0	26,3	30,2	15 800				68,0
70,0	21,8	24,9	14 500				70,0

MLC300 S-3

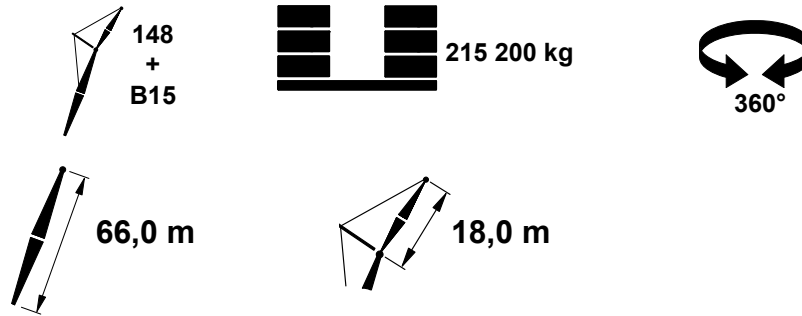
ASME B30.5



	10°			20°			
	m	°	m	kg	°	m	
13,7	84,2	79,3	50 400				13,7
14,0	84,0	79,3	50 200				14,0
15,0	83,3	79,1	49 600				15,0
16,0	82,5	79,0	48 900				16,0
17,0	81,8	78,8	48 300				17,0
18,0	81,1	78,5	47 800	83,8	78,0	40 200	18,0
19,0	80,3	78,3	47 200	82,3	77,6	38 300	19,0
20,0	79,5	78,1	46 600	81,6	77,4	37 400	20,0
22,0	78,0	77,6	45 500	80,0	76,8	35 800	22,0
24,0	76,5	77,0	44 500	78,5	76,3	34 300	24,0
26,0	75,0	76,4	43 500	76,9	75,6	33 000	26,0
28,0	73,4	75,7	42 600	75,4	74,9	31 700	28,0
30,0	71,9	74,9	41 200	73,8	74,2	30 600	30,0
32,0	70,3	74,1	39 300	72,2	73,3	29 500	32,0
34,0	68,7	73,2	37 700	70,6	72,4	28 500	34,0
36,0	67,0	72,3	36 200	68,9	71,5	27 600	36,0
38,0	65,4	71,3	34 800	67,3	70,5	26 800	38,0
40,0	63,7	70,2	33 500	65,6	69,4	26 000	40,0
42,0	62,0	69,0	32 300	63,8	68,2	25 200	42,0
44,0	60,3	67,8	31 100	62,1	66,9	24 500	44,0
46,0	58,5	66,4	29 800	60,3	65,5	23 900	46,0
48,0	56,7	65,0	28 300	58,5	64,1	23 300	48,0
50,0	54,9	63,4	26 900	56,6	62,5	22 700	50,0
52,0	53,0	61,8	25 600	54,7	60,9	22 200	52,0
54,0	51,0	60,1	24 400	52,7	59,1	21 700	54,0
56,0	49,0	58,2	23 100	50,6	57,2	21 200	56,0
58,0	46,9	56,2	21 500	48,5	55,1	20 800	58,0
60,0	44,8	54,0	20 100	46,3	52,9	20 200	60,0
62,0	42,5	51,6	18 700	44,0	50,5	19 100	62,0
64,0	40,1	49,1	17 400	41,6	47,9	17 800	64,0
66,0	37,6	46,3	16 200	39,0	45,0	16 500	66,0
68,0	34,9	43,2	15 000	36,2	41,8	15 300	68,0
70,0	32,0	39,8	13 900	33,2	38,3	14 100	70,0
72,0	28,8	35,9	12 800				72,0
74,0	25,2	31,4	11 700				74,0
76,0	20,8	25,8	10 600				76,0

MLC300 S-3

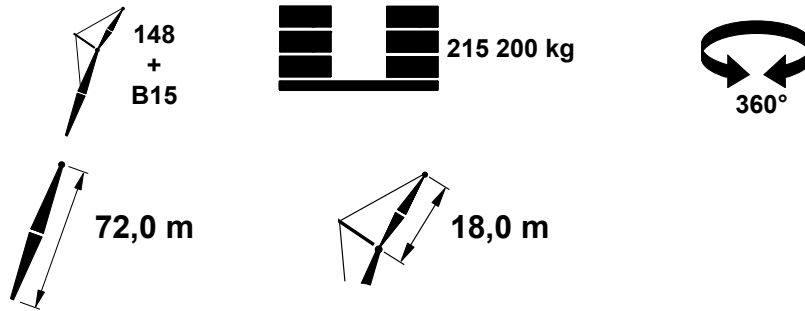
ASME B30.5



m	10°			20°			m
	°	m	kg	°	m	kg	
13,7	84,7	85,4	50 100				13,7
14,0	84,5	85,3	50 000				14,0
15,0	83,8	85,2	49 400				15,0
16,0	83,1	85,0	48 800				16,0
17,0	82,4	84,8	48 300			40 700	17,0
18,0	81,7	84,6	47 700	84,3	84,1	39 700	18,0
19,0	81,0	84,4	47 200	83,6	83,9	38 900	19,0
20,0	80,3	84,2	46 700	82,9	83,7	38 000	20,0
22,0	78,9	83,7	45 700	82,2	83,5	36 500	22,0
24,0	77,5	83,2	44 800	80,8	83,0	35 100	24,0
26,0	76,1	82,6	43 900	79,3	82,5		26,0
28,0	74,6	82,0	43 000	77,9	81,9	33 800	28,0
30,0	73,2	81,3	42 200	76,5	81,2	32 600	30,0
32,0	71,8	80,6	41 000	75,0	80,5	31 400	32,0
34,0	70,3	79,7	39 300	73,5	79,8	30 400	34,0
36,0	68,8	78,9	37 800	72,1	79,0	29 400	36,0
38,0	67,3	77,9	36 400	70,6	78,1	28 500	38,0
40,0	65,8	77,0	35 000	69,0	77,1	27 700	40,0
42,0	64,2	75,9	33 400	67,5	76,1	26 900	42,0
44,0	62,7	74,8	31 600	65,9	75,1	26 200	44,0
46,0	61,1	73,5	29 900	64,4	73,9	25 400	46,0
48,0	59,4	72,3	28 400	62,7	72,7	24 800	48,0
50,0	57,8	70,9	27 000	61,1	71,4	24 200	50,0
52,0	56,1	69,4	25 300	59,4	70,0	23 600	52,0
54,0	54,4	67,9	23 500	57,7	68,5	23 000	54,0
56,0	52,6	66,2	21 900	56,0	67,0	22 500	56,0
58,0	50,8	64,5	20 400	54,2	65,3	22 100	58,0
60,0	48,9	62,6	19 000	52,3	63,5	20 900	60,0
62,0	47,0	60,6	17 600	50,4	61,6	19 500	62,0
64,0	45,0	58,5	16 300	48,5	59,6	18 100	64,0
66,0	42,9	56,2	15 100	46,4	57,4	16 800	66,0
68,0	40,8	53,7	14 000	44,3	55,0	15 500	68,0
70,0	38,5	51,0	12 900	42,1	52,5	14 400	70,0
72,0	36,1	48,1	11 900	39,8	49,7	13 200	72,0
74,0	33,5	44,8	10 900	37,3	46,7	12 200	74,0
76,0	30,7	41,2	9 900	34,6	43,4	11 100	76,0
80,0	24,1	32,4	8 000	31,7	39,6	10 100	80,0

MLC300 S-3

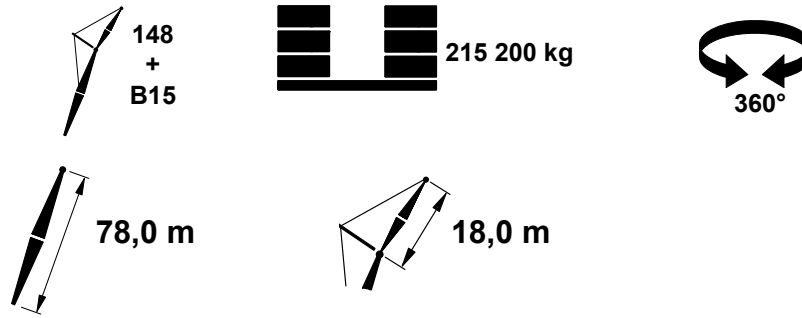
ASME B30.5



m	10°			20°			m
	°	m	kg	°	m	kg	
15,2	84,0	91,2	47 400				15,2
16,0	83,6	91,1	47 000				16,0
17,0	82,9	90,9	46 500	84,7	90,2	41 000	17,0
18,0	82,3	90,7	46 100	84,0	90,0	40 500	18,0
19,0	81,6	90,6	45 600	83,4	89,8	39 800	19,0
20,0	81,0	90,4	45 200	82,7	89,6	39 000	20,0
22,0	79,7	89,9	44 300	81,4	89,1	37 500	22,0
24,0	78,4	89,4	43 500	80,1	88,7	36 100	24,0
26,0	77,0	88,9	42 700	78,8	88,1	34 800	26,0
28,0	75,7	88,3	41 900	77,4	87,5	33 600	28,0
30,0	74,4	87,6	41 200	76,1	86,9	32 500	30,0
32,0	73,0	87,0	40 500	74,7	86,2	31 400	32,0
34,0	71,7	86,2	39 800	73,3	85,4	30 500	34,0
36,0	70,3	85,4	39 200	72,0	84,6	29 600	36,0
38,0	68,9	84,6	37 700	70,6	83,7	28 700	38,0
40,0	67,5	83,6	35 500	69,1	82,8	28 000	40,0
42,0	66,1	82,7	33 500	67,7	81,8	27 200	42,0
44,0	64,7	81,6	31 600	66,3	80,8	26 500	44,0
46,0	63,2	80,5	29 900	64,8	79,7	25 800	46,0
48,0	61,7	79,4	28 000	63,3	78,5	25 200	48,0
50,0	60,2	78,1	26 000	61,8	77,2	24 600	50,0
52,0	58,7	76,8	24 100	60,3	75,9	24 100	52,0
54,0	57,2	75,4	22 300	58,7	74,5	23 000	54,0
56,0	55,6	73,9	20 700	57,1	73,0	21 400	56,0
58,0	54,0	72,4	19 200	55,4	71,4	19 800	58,0
60,0	52,3	70,7	17 800	53,8	69,7	18 400	60,0
62,0	50,6	69,0	16 500	52,1	67,9	17 000	62,0
64,0	48,9	67,1	15 200	50,3	66,0	15 700	64,0
66,0	47,1	65,1	14 000	48,5	64,0	14 500	66,0
68,0	45,2	63,0	12 900	46,6	61,9	13 300	68,0
70,0	43,3	60,7	11 800	44,6	59,6	12 200	70,0
72,0	41,3	58,3	10 800	42,6	57,1	11 200	72,0
74,0	39,2	55,7	9 900	40,4	54,4	10 200	74,0
76,0	37,0	52,9	8 900	38,2	51,5	9 200	76,0
80,0	32,2	46,4	7 200	33,2	44,9	7 400	80,0
84,0	26,5	38,4	5 500				84,0

MLC300 S-3

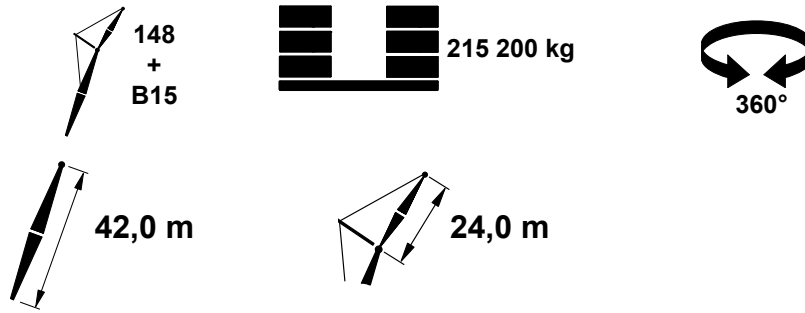
ASME B30.5



m	10°			20°			m
	°	m	kg	°	m	kg	
15,2	84,4	97,3	46 600				15,2
16,0	84,0	97,2	46 300				16,0
17,0	83,4	97,0	45 900				17,0
18,0	82,7	96,8	45 500				18,0
19,0	82,1	96,7	45 100				19,0
20,0	81,5	96,5	44 700	83,8	95,9	39 800	20,0
22,0	80,3	96,1	43 900	82,0	95,3	37 800	22,0
24,0	79,1	95,6	43 200	80,7	94,8	36 500	24,0
26,0	77,9	95,1	42 500	79,5	94,3	35 200	26,0
28,0	76,6	94,5	41 600	78,2	93,8	34 100	28,0
30,0	75,4	94,0	40 300	77,0	93,2	33 000	30,0
32,0	74,1	93,3	38 900	75,7	92,5	32 000	32,0
34,0	72,9	92,6	37 600	74,4	91,8	31 100	34,0
36,0	71,6	91,9	36 400	73,2	91,1	30 200	36,0
38,0	70,3	91,1	35 300	71,9	90,3	29 400	38,0
40,0	69,0	90,2	34 200	70,6	89,4	28 600	40,0
42,0	67,7	89,3	33 100	69,2	88,5	27 900	42,0
44,0	66,4	88,4	31 400	67,9	87,5	27 200	44,0
46,0	65,0	87,4	29 100	66,5	86,5	26 500	46,0
48,0	63,7	86,3	26 900	65,2	85,4	25 900	48,0
50,0	62,3	85,1	24 900	63,8	84,3	25 300	50,0
52,0	60,9	83,9	23 000	62,4	83,0	23 800	52,0
54,0	59,5	82,7	21 200	61,0	81,8	22 000	54,0
56,0	58,1	81,3	19 600	59,5	80,4	20 400	56,0
58,0	56,6	79,9	18 100	58,0	79,0	18 800	58,0
60,0	55,1	78,4	16 700	56,5	77,5	17 400	60,0
62,0	53,6	76,8	15 400	55,0	75,9	16 000	62,0
64,0	52,1	75,2	14 200	53,4	74,2	14 700	64,0
66,0	50,5	73,4	13 000	51,8	72,4	13 500	66,0
68,0	48,8	71,6	11 900	50,1	70,5	12 400	68,0
70,0	47,2	69,6	10 800	48,4	68,5	11 300	70,0
72,0	45,4	67,5	9 900	46,7	66,4	10 300	72,0
74,0	43,7	65,3	8 900	44,9	64,1	9 300	74,0
76,0	41,8	62,9	8 000	43,0	61,7	8 400	76,0
80,0	37,9	57,6	6 300	39,0	56,3	6 600	80,0
84,0	33,5	51,5	4 800	34,5	50,0	5 000	84,0
88,0	28,5	44,1	3 300	29,3	42,3	3 400	88,0

MLC300 S-3

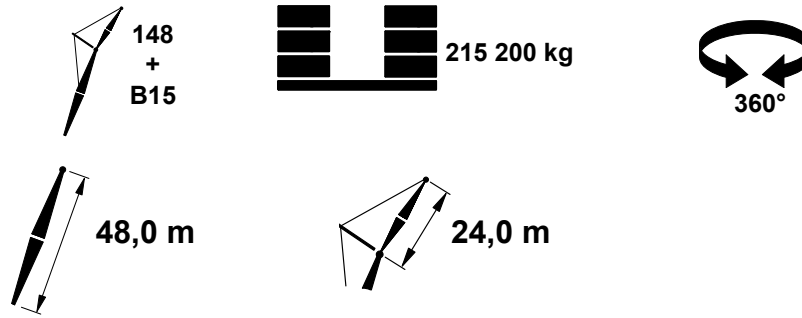
ASME B30.5



m	10°			20°			m
	°	m	kg	°	m	kg	
13,7	84,1	67,2	38 100				13,7
14,0	83,8	67,1	37 900				14,0
15,0	82,9	66,9	37 300				15,0
16,0	82,1	66,7	36 700				16,0
17,0	81,2	66,4	36 100	84,4	65,7	31 200	17,0
18,0	80,3	66,2	35 500	83,5	65,4	30 200	18,0
19,0	79,4	65,9	34 900	82,6	65,2	29 300	19,0
20,0	78,5	65,6	34 400	81,7	64,9	28 400	20,0
22,0	76,7	65,0	33 400	79,9	64,2	26 800	22,0
24,0	74,8	64,3	32 400	78,0	63,5	25 400	24,0
26,0	73,0	63,6	31 500	76,1	62,8	24 100	26,0
28,0	71,1	62,8	30 300	74,2	61,9	23 000	28,0
30,0	69,2	61,8	28 700	72,3	61,0	22 000	30,0
32,0	67,3	60,8	27 200	70,3	60,0	21 000	32,0
34,0	65,3	59,8	25 800	68,3	58,9	20 100	34,0
36,0	63,3	58,6	24 600	66,3	57,7	19 300	36,0
38,0	61,2	57,3	23 500	64,2	56,4	18 600	38,0
40,0	59,1	55,9	22 500	62,1	55,0	17 900	40,0
42,0	56,9	54,4	21 500	59,9	53,5	17 300	42,0
44,0	54,7	52,8	20 700	57,6	51,8	16 700	44,0
46,0	52,4	51,1	19 900	55,2	50,1	16 100	46,0
48,0	50,0	49,2	19 100	52,8	48,1	15 600	48,0
50,0	47,5	47,1	18 400	50,2	46,0	15 200	50,0
52,0	44,9	44,9	17 800	47,6	43,7	14 800	52,0
54,0	42,2	42,4	17 200	44,7	41,1	14 400	54,0
56,0	39,2	39,6	16 700	41,7	38,3	14 000	56,0
58,0	36,0	36,5	16 200	38,3	35,1	13 700	58,0
60,0	32,5	33,0	15 700	34,6	31,4	13 400	60,0
62,0	28,5	28,9	15 300	30,4	27,0	13 200	62,0
64,0	23,8	23,8	14 900				64,0

MLC300 S-3

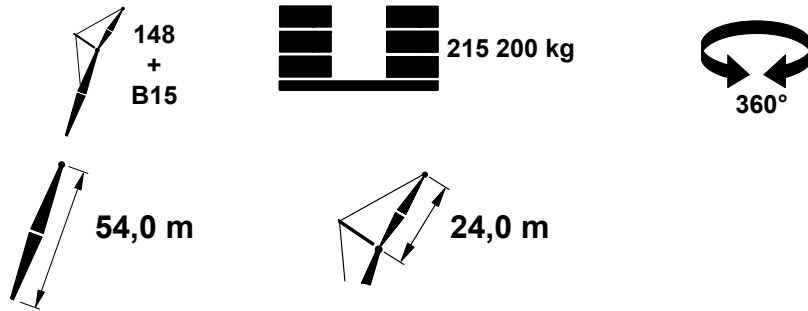
ASME B30.5



m	10°			20°			m
	°	m	kg	°	m	kg	
13,7	84,6	73,2	38 100				13,7
14,0	84,3	73,2	38 000				14,0
15,0	83,5	73,0	37 400				15,0
16,0	82,7	72,8	36 800				16,0
17,0	81,9	72,6	36 300				17,0
18,0	81,1	72,4	35 800				18,0
19,0	80,3	72,1	35 300	83,3	71,3	29 900	19,0
20,0	79,5	71,9	34 800	82,4	71,0	29 000	20,0
22,0	77,8	71,3	33 800	80,8	70,5	27 500	22,0
24,0	76,1	70,7	32 900	79,1	69,8	26 200	24,0
26,0	74,5	70,0	32 100	77,4	69,2	24 900	26,0
28,0	72,8	69,2	31 200	75,6	68,4	23 800	28,0
30,0	71,0	68,4	30 200	73,9	67,6	22 800	30,0
32,0	69,3	67,5	28 700	72,1	66,6	21 800	32,0
34,0	67,5	66,5	27 400	70,3	65,7	21 000	34,0
36,0	65,7	65,5	26 100	68,5	64,6	20 200	36,0
38,0	63,9	64,4	25 000	66,7	63,4	19 400	38,0
40,0	62,1	63,1	23 900	64,8	62,2	18 800	40,0
42,0	60,2	61,8	22 900	62,9	60,9	18 100	42,0
44,0	58,2	60,4	22 000	60,9	59,5	17 500	44,0
46,0	56,2	58,9	21 200	58,8	57,9	17 000	46,0
48,0	54,2	57,3	20 500	56,8	56,3	16 500	48,0
50,0	52,1	55,5	19 700	54,6	54,5	16 000	50,0
52,0	49,9	53,7	19 100	52,4	52,5	15 600	52,0
54,0	47,6	51,6	18 500	50,1	50,5	15 200	54,0
56,0	45,2	49,4	17 900	47,6	48,2	14 800	56,0
58,0	42,7	47,0	17 300	45,1	45,7	14 400	58,0
60,0	40,1	44,3	16 800	42,3	43,0	14 100	60,0
62,0	37,3	41,4	16 400	39,4	40,0	13 800	62,0
64,0	34,2	38,2	15 900	36,3	36,5	13 500	64,0
66,0	30,9	34,4	15 500	32,7	32,6	13 300	66,0
68,0	27,1	30,1	15 200				68,0
70,0	22,5	24,7	14 800				70,0

MLC300 S-3

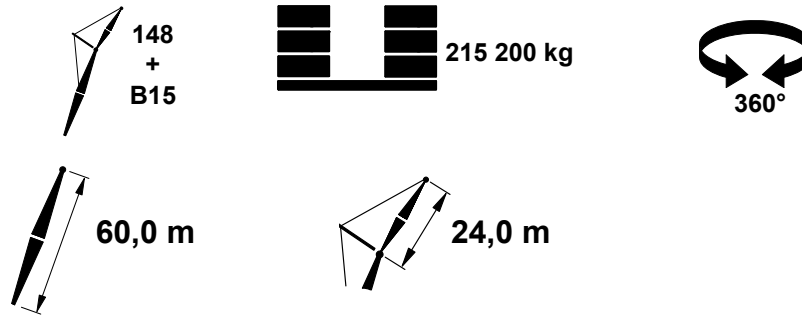
ASME B30.5



m	10°			20°			m
	°	m	kg	°	m	kg	
13,7	85,0	79,3	38 100				13,7
14,0	84,8	79,3	37 900				14,0
15,0	84,0	79,1	37 400				15,0
16,0	83,3	78,9	36 900				16,0
17,0	82,5	78,7	36 400				17,0
18,0	81,8	78,5	36 000				18,0
19,0	81,0	78,3	35 500	83,8	77,4	30 300	19,0
20,0	80,3	78,0	35 000	83,0	77,2	29 500	20,0
22,0	78,8	77,5	34 200	81,5	76,7	28 100	22,0
24,0	77,3	77,0	33 300	80,0	76,1	26 800	24,0
26,0	75,7	76,3	32 500	78,4	75,5	25 600	26,0
28,0	74,2	75,6	31 800	76,8	74,8	24 500	28,0
30,0	72,6	74,9	31 000	75,2	74,0	23 500	30,0
32,0	71,0	74,1	30 200	73,6	73,2	22 600	32,0
34,0	69,4	73,2	28 800	72,0	72,3	21 700	34,0
36,0	67,8	72,2	27 500	70,4	71,3	21 000	36,0
38,0	66,1	71,2	26 300	68,7	70,3	20 200	38,0
40,0	64,5	70,1	25 300	67,0	69,2	19 600	40,0
42,0	62,8	68,9	24 300	65,3	68,0	18 900	42,0
44,0	61,0	67,7	23 300	63,5	66,7	18 300	44,0
46,0	59,3	66,4	22 500	61,7	65,4	17 800	46,0
48,0	57,5	64,9	21 700	59,9	63,9	17 300	48,0
50,0	55,6	63,4	21 000	58,0	62,3	16 800	50,0
52,0	53,7	61,8	20 300	56,1	60,7	16 300	52,0
54,0	51,8	60,0	19 600	54,1	58,9	15 900	54,0
56,0	49,7	58,1	19 000	52,0	57,0	15 500	56,0
58,0	47,7	56,1	18 500	49,9	54,9	15 100	58,0
60,0	45,5	53,9	17 900	47,7	52,7	14 800	60,0
62,0	43,2	51,6	17 400	45,4	50,3	14 500	62,0
64,0	40,8	49,0	17 000	42,9	47,6	14 200	64,0
66,0	38,3	46,2	16 500	40,3	44,7	13 900	66,0
68,0	35,6	43,1	16 100	37,5	41,6	13 600	68,0
70,0	32,7	39,7	15 700	34,5	38,0	13 400	70,0
72,0	29,5	35,8	14 800	31,1	33,8	13 200	72,0
74,0	25,8	31,2	13 700				74,0
76,0	21,5	25,6	12 600				76,0

MLC300 S-3

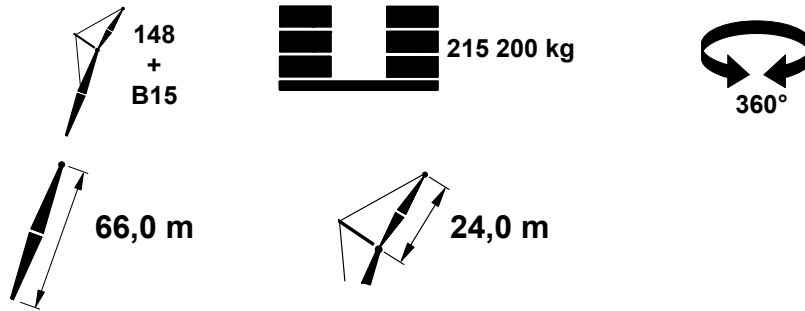
ASME B30.5



m	10°			20°			m
	°	m	kg	°	m	kg	
15,2	84,3	85,1	37 200				15,2
16,0	83,8	85,0	36 900				16,0
17,0	83,1	84,8	36 400				17,0
18,0	82,4	84,6	36 000				18,0
19,0	81,7	84,4	35 600				19,0
20,0	81,0	84,2	35 200	84,2	83,6	30 700	20,0
22,0	79,6	83,7	34 400	82,1	82,8	28 600	22,0
24,0	78,2	83,2	33 600	80,7	82,3	27 400	24,0
26,0	76,8	82,6	32 800	79,3	81,7	26 200	26,0
28,0	75,3	82,0	32 100	77,8	81,1	25 200	28,0
30,0	73,9	81,3	31 400	76,4	80,4	24 200	30,0
32,0	72,4	80,5	30 800	74,9	79,6	23 300	32,0
34,0	71,0	79,7	30 000	73,4	78,8	22 400	34,0
36,0	69,5	78,9	28 800	71,9	77,9	21 700	36,0
38,0	68,0	77,9	27 600	70,4	77,0	21 000	38,0
40,0	66,5	76,9	26 500	68,8	76,0	20 300	40,0
42,0	64,9	75,9	25 500	67,3	74,9	19 600	42,0
44,0	63,4	74,7	24 600	65,7	73,8	19 000	44,0
46,0	61,8	73,5	23 700	64,1	72,5	18 500	46,0
48,0	60,1	72,2	22 900	62,4	71,2	18 000	48,0
50,0	58,5	70,9	22 100	60,7	69,8	17 500	50,0
52,0	56,8	69,4	21 400	59,0	68,4	17 000	52,0
54,0	55,1	67,9	20 800	57,3	66,8	16 600	54,0
56,0	53,3	66,2	20 100	55,5	65,1	16 200	56,0
58,0	51,5	64,5	19 600	53,6	63,3	15 800	58,0
60,0	49,6	62,6	19 000	51,7	61,4	15 500	60,0
62,0	47,7	60,6	18 500	49,8	59,4	15 100	62,0
64,0	45,7	58,4	18 000	47,7	57,2	14 800	64,0
66,0	43,6	56,1	17 200	45,6	54,8	14 500	66,0
68,0	41,4	53,6	16 100	43,4	52,3	14 200	68,0
70,0	39,2	51,0	15 000	41,0	49,5	14 000	70,0
72,0	36,7	48,0	13 900	38,5	46,5	13 700	72,0
74,0	34,1	44,8	12 900	35,8	43,1	13 200	74,0
76,0	31,3	41,2	11 900	32,9	39,3	12 200	76,0
80,0	24,7	32,3	10 000				80,0

MLC300 S-3

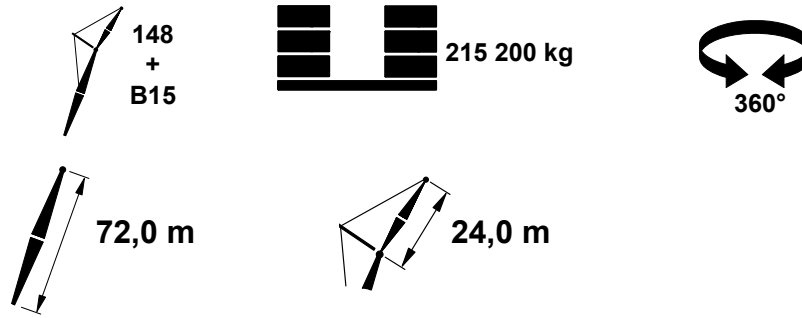
ASME B30.5



m	10°			20°			m
	°	m	kg	°	m	kg	
15,2	84,7	91,2	37 000				15,2
16,0	84,2	91,0	36 700				16,0
17,0	83,6	90,9	36 300				17,0
18,0	82,9	90,7	35 900				18,0
19,0	82,3	90,5	35 600				19,0
20,0	81,6	90,3	35 200	84,0	89,4	30 300	20,0
22,0	80,3	89,9	34 400	82,7	89,0	29 000	22,0
24,0	79,0	89,4	33 700	81,3	88,5	27 900	24,0
26,0	77,7	88,8	33 000	80,0	87,9	26 700	26,0
28,0	76,4	88,2	32 400	78,7	87,3	25 700	28,0
30,0	75,0	87,6	31 800	77,3	86,7	24 800	30,0
32,0	73,7	86,9	31 100	76,0	86,0	23 900	32,0
34,0	72,3	86,2	30 600	74,6	85,2	23 100	34,0
36,0	70,9	85,4	29 900	73,2	84,4	22 300	36,0
38,0	69,6	84,5	28 800	71,8	83,5	21 600	38,0
40,0	68,2	83,6	27 700	70,4	82,6	21 000	40,0
42,0	66,7	82,6	26 700	68,9	81,6	20 300	42,0
44,0	65,3	81,6	25 800	67,5	80,6	19 700	44,0
46,0	63,8	80,5	24 900	66,0	79,5	19 200	46,0
48,0	62,4	79,3	24 100	64,5	78,3	18 700	48,0
50,0	60,9	78,0	23 300	63,0	77,0	18 200	50,0
52,0	59,4	76,7	22 600	61,5	75,7	17 700	52,0
54,0	57,8	75,3	21 900	59,9	74,3	17 300	54,0
56,0	56,2	73,9	21 200	58,3	72,8	16 900	56,0
58,0	54,6	72,3	20 600	56,6	71,2	16 500	58,0
60,0	52,9	70,6	19 800	55,0	69,5	16 100	60,0
62,0	51,3	68,9	18 500	53,2	67,7	15 800	62,0
64,0	49,5	67,0	17 300	51,5	65,8	15 400	64,0
66,0	47,7	65,0	16 100	49,6	63,8	15 100	66,0
68,0	45,9	62,9	15 000	47,7	61,6	14 800	68,0
70,0	43,9	60,6	13 900	45,8	59,3	14 400	70,0
72,0	41,9	58,2	12 900	43,7	56,8	13 400	72,0
74,0	39,8	55,6	11 900	41,6	54,1	12 400	74,0
76,0	37,6	52,8	11 000	39,3	51,2	11 400	76,0
80,0	32,8	46,3	9 200	34,3	44,5	9 500	80,0
84,0	27,1	38,3	7 500				84,0
88,0	19,6	27,2	5 900				88,0

MLC300 S-3

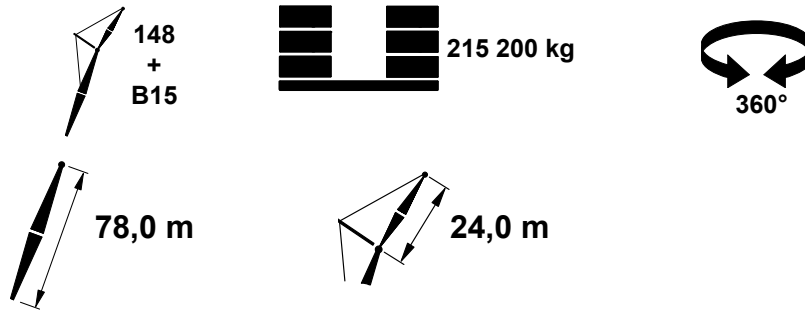
ASME B30.5



m	10°			20°			m
	°	m	kg	°	m	kg	
16,8	84,1	97,0	36 200				16,8
17,0	84,0	97,0	36 100				17,0
18,0	83,4	96,8	35 700				18,0
19,0	82,8	96,6	35 400				19,0
20,0	82,1	96,4	35 100				20,0
22,0	80,9	96,0	34 400	84,4	95,5	30 700	22,0
24,0	79,7	95,5	33 700	81,9	94,6	28 300	24,0
26,0	78,5	95,0	33 100	80,7	94,1	27 200	26,0
28,0	77,2	94,5	32 500	79,4	93,6	26 200	28,0
30,0	76,0	93,9	31 900	78,2	93,0	25 300	30,0
32,0	74,7	93,2	31 400	76,9	92,3	24 500	32,0
34,0	73,5	92,5	30 800	75,6	91,6	23 700	34,0
36,0	72,2	91,8	30 300	74,3	90,9	22 900	36,0
38,0	70,9	91,0	29 800	73,0	90,1	22 200	38,0
40,0	69,6	90,2	28 900	71,7	89,2	21 600	40,0
42,0	68,3	89,3	27 800	70,4	88,3	20 900	42,0
44,0	67,0	88,3	26 900	69,1	87,3	20 400	44,0
46,0	65,6	87,3	26 000	67,7	86,3	19 800	46,0
48,0	64,3	86,2	25 200	66,3	85,2	19 300	48,0
50,0	62,9	85,1	24 400	64,9	84,0	18 800	50,0
52,0	61,5	83,9	23 600	63,5	82,8	18 300	52,0
54,0	60,1	82,6	22 900	62,1	81,5	17 900	54,0
56,0	58,7	81,3	21 600	60,6	80,2	17 500	56,0
58,0	57,2	79,8	20 100	59,2	78,7	17 100	58,0
60,0	55,7	78,3	18 700	57,6	77,2	16 700	60,0
62,0	54,2	76,8	17 400	56,1	75,6	16 400	62,0
64,0	52,7	75,1	16 100	54,5	73,9	16 000	64,0
66,0	51,1	73,3	14 900	52,9	72,1	15 500	66,0
68,0	49,4	71,5	13 800	51,2	70,2	14 500	68,0
70,0	47,8	69,5	12 800	49,5	68,2	13 400	70,0
72,0	46,0	67,4	11 800	47,8	66,1	12 300	72,0
74,0	44,2	65,2	10 800	45,9	63,8	11 400	74,0
76,0	42,4	62,8	9 900	44,1	61,4	10 400	76,0
80,0	38,4	57,5	8 200	40,0	56,0	8 600	80,0
84,0	34,0	51,4	6 600	35,5	49,6	7 000	84,0
88,0	29,0	43,9	5 100	30,2	41,9	5 400	88,0

MLC300 S-3

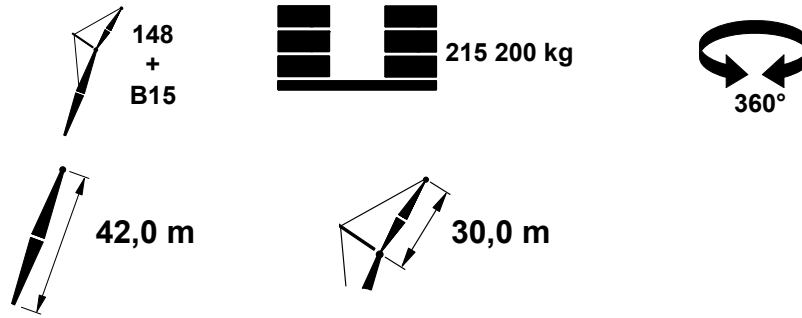
ASME B30.5



m	10°			20°			m
	°	m	kg	°	m	kg	
16,8	84,5	103,1	35 600				16,8
17,0	84,3	103,0	35 600				17,0
18,0	83,8	102,9	35 200				18,0
19,0	83,2	102,7	34 900				19,0
20,0	82,6	102,5	34 600				20,0
22,0	81,5	102,1	34 000	84,7	101,6	30 700	22,0
24,0	80,3	101,7	33 400	83,6	101,2	29 600	24,0
26,0	79,2	101,2	32 900	82,4	100,8	28 500	26,0
28,0	78,0	100,7	32 300	81,2	100,3	27 500	28,0
30,0	76,8	100,1	31 800	80,1	99,8	26 600	30,0
32,0	75,7	99,5	31 300	78,9	99,2	25 700	32,0
34,0	74,5	98,9	30 800	77,7	98,6	24 900	34,0
36,0	73,3	98,2	30 300	76,5	97,9	24 100	36,0
38,0	72,1	97,5	29 900	75,3	97,2	23 400	38,0
40,0	70,9	96,7	29 200	74,1	96,5	22 700	40,0
42,0	69,7	95,8	28 300	72,9	95,7	22 000	42,0
44,0	68,4	94,9	27 500	71,6	94,8	21 400	44,0
46,0	67,2	94,0	26 800	70,4	93,9	20 900	46,0
48,0	65,9	93,0	26 000	69,1	93,0	20 300	48,0
50,0	64,7	92,0	25 200	67,9	92,0	19 800	50,0
52,0	63,4	90,8	23 900	66,6	90,9	19 300	52,0
54,0	62,1	89,7	22 200	65,3	89,8	18 800	54,0
56,0	60,8	88,4	20 500	64,0	88,6	18 400	56,0
58,0	59,4	87,1	19 000	62,6	87,4	18 000	58,0
60,0	58,1	85,8	17 600	61,3	86,1	17 600	60,0
62,0	56,7	84,3	16 300	59,9	84,7	17 200	62,0
64,0	55,3	82,8	15 100	58,5	83,2	16 900	64,0
66,0	53,9	81,2	13 900	57,1	81,7	15 900	66,0
68,0	52,4	79,6	12 800	55,6	80,1	14 700	68,0
70,0	50,9	77,8	11 800	54,1	78,4	13 500	70,0
72,0	49,4	75,9	10 800	52,6	76,6	12 400	72,0
74,0	47,8	74,0	9 800	51,1	74,7	11 400	74,0
76,0	46,2	71,9	8 900	49,5	72,7	10 400	76,0
80,0	42,8	67,4	7 300	47,8	70,6	9 500	80,0
84,0	39,1	62,2	5 700	44,3	65,9	7 800	84,0
88,0	35,1	56,3	4 300	40,6	60,7	6 100	88,0
				36,5	54,6	4 600	

MLC300 S-3

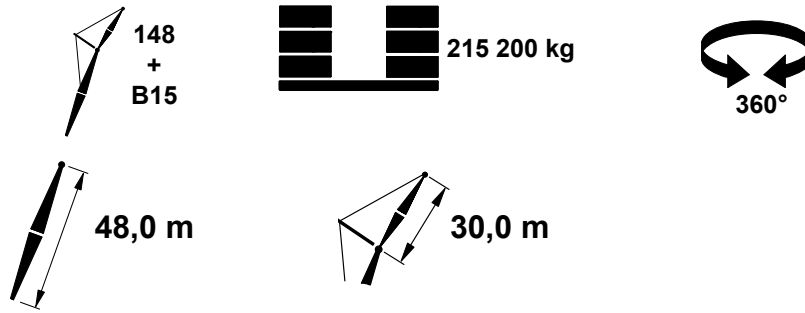
ASME B30.5



m	10°			20°			m
	°	m	kg	°	m	kg	
13,7	84,9	73,3	30 400				13,7
14,0	84,7	73,3	30 200				14,0
15,0	83,9	73,1	29 700				15,0
16,0	83,1	72,9	29 300				16,0
17,0	82,3	72,7	28 800				17,0
18,0	81,5	72,4	28 400				18,0
19,0	80,6	72,2	27 900				19,0
20,0	79,8	71,9	27 500	83,6	71,1	24 300	20,0
22,0	78,2	71,4	26 600	81,9	70,6	23 400	22,0
24,0	76,5	70,7	25 700	80,2	69,9	22 200	24,0
26,0	74,8	70,1	24 800	78,5	69,2	21 000	26,0
28,0	73,1	69,3	23 900	76,8	68,5	19 900	28,0
30,0	71,4	68,5	23 100	75,1	67,6	18 900	30,0
32,0	69,7	67,6	22 300	73,3	66,7	18 100	32,0
34,0	67,9	66,6	21 600	71,5	65,7	17 200	34,0
36,0	66,1	65,6	20 900	69,7	64,7	16 500	36,0
38,0	64,3	64,4	20 200	67,9	63,5	15 800	38,0
40,0	62,4	63,2	19 400	66,0	62,3	15 100	40,0
42,0	60,5	61,9	18 500	64,0	61,0	14 600	42,0
44,0	58,6	60,5	17 700	62,1	59,6	14 000	44,0
46,0	56,6	59,0	17 000	60,1	58,0	13 500	46,0
48,0	54,6	57,4	16 300	58,0	56,4	13 000	48,0
50,0	52,5	55,6	15 600	55,8	54,6	12 600	50,0
52,0	50,3	53,7	15 000	53,6	52,7	12 200	52,0
54,0	48,0	51,7	14 500	51,3	50,6	11 800	54,0
56,0	45,6	49,5	14 000	48,9	48,3	11 500	56,0
58,0	43,2	47,1	13 500	46,3	45,8	11 100	58,0
60,0	40,5	44,5	13 000	43,6	43,1	10 800	60,0
62,0	37,7	41,5	12 600	40,7	40,1	10 500	62,0
64,0	34,7	38,3	12 200	37,5	36,7	10 300	64,0
66,0	31,3	34,6	11 900	34,0	32,8	10 100	66,0
68,0	27,6	30,3	11 500	30,0	28,2	9 900	68,0
70,0	23,0	24,9	11 200				70,0

MLC300 S-3

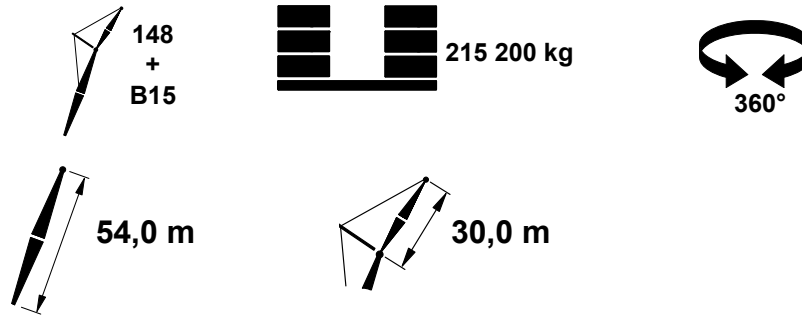
ASME B30.5



m	10°			20°			m
	°	m	kg	°	m	kg	
15,2	84,2	79,1	29 700				15,2
16,0	83,6	79,0	29 400				16,0
17,0	82,9	78,8	28 900				17,0
18,0	82,1	78,6	28 500				18,0
19,0	81,4	78,3	28 100				19,0
20,0	80,6	78,1	27 700	84,1	77,3	24 400	20,0
22,0	79,1	77,6	27 000	82,6	76,7	23 700	22,0
24,0	77,6	77,0	26 200	81,0	76,2	22 800	24,0
26,0	76,0	76,4	25 300	79,5	75,5	21 600	26,0
28,0	74,5	75,7	24 500	77,9	74,8	20 600	28,0
30,0	72,9	75,0	23 700	76,3	74,1	19 600	30,0
32,0	71,3	74,1	23 000	74,7	73,2	18 700	32,0
34,0	69,7	73,3	22 300	73,1	72,4	17 900	34,0
36,0	68,1	72,3	21 600	71,4	71,4	17 200	36,0
38,0	66,5	71,3	21 000	69,8	70,4	16 500	38,0
40,0	64,8	70,2	20 400	68,1	69,3	15 800	40,0
42,0	63,1	69,0	19 700	66,4	68,1	15 300	42,0
44,0	61,4	67,8	18 800	64,6	66,8	14 700	44,0
46,0	59,6	66,4	18 100	62,8	65,4	14 200	46,0
48,0	57,8	65,0	17 400	61,0	64,0	13 700	48,0
50,0	56,0	63,5	16 700	59,1	62,4	13 300	50,0
52,0	54,1	61,8	16 100	57,2	60,8	12 900	52,0
54,0	52,1	60,1	15 500	55,2	59,0	12 500	54,0
56,0	50,1	58,2	15 000	53,1	57,1	12 100	56,0
58,0	48,0	56,2	14 500	51,0	55,0	11 800	58,0
60,0	45,9	54,0	14 000	48,8	52,8	11 400	60,0
62,0	43,6	51,7	13 600	46,5	50,4	11 100	62,0
64,0	41,2	49,1	13 100	44,0	47,7	10 900	64,0
66,0	38,7	46,3	12 800	41,4	44,9	10 600	66,0
68,0	36,0	43,3	12 400	38,6	41,7	10 400	68,0
70,0	33,1	39,8	12 000	35,6	38,1	10 100	70,0
72,0	29,9	35,9	11 700	32,2	34,0	10 000	72,0
74,0	26,3	31,4	11 400	28,3	29,1	9 800	74,0
76,0	21,9	25,8	11 200				76,0

MLC300 S-3

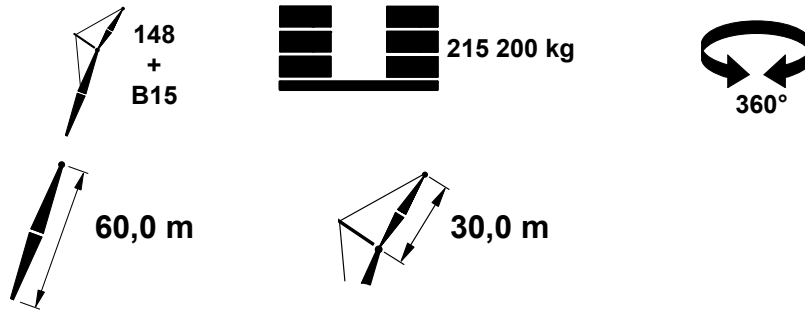
ASME B30.5



m	10°			20°			m
	°	m	kg	°	m	kg	
15,2	84,6	85,2	29 700				15,2
16,0	84,1	85,1	29 400				16,0
17,0	83,4	84,9	29 000				17,0
18,0	82,7	84,7	28 600				18,0
19,0	82,0	84,5	28 200				19,0
20,0	81,3	84,3	27 900	84,5	83,4	24 500	20,0
22,0	79,9	83,8	27 200	83,1	82,9	23 900	22,0
24,0	78,5	83,3	26 500	81,7	82,4	23 200	24,0
26,0	77,1	82,7	25 800	80,3	81,8	22 100	26,0
28,0	75,7	82,0	25 000	78,8	81,1	21 100	28,0
30,0	74,2	81,3	24 300	77,4	80,4	20 200	30,0
32,0	72,8	80,6	23 500	75,9	79,7	19 300	32,0
34,0	71,3	79,8	22 900	74,4	78,9	18 500	34,0
36,0	69,8	78,9	22 200	72,9	78,0	17 800	36,0
38,0	68,3	78,0	21 600	71,4	77,0	17 100	38,0
40,0	66,8	77,0	21 100	69,8	76,0	16 500	40,0
42,0	65,2	75,9	20 500	68,3	75,0	15 900	42,0
44,0	63,7	74,8	19 900	66,7	73,8	15 400	44,0
46,0	62,1	73,6	19 200	65,1	72,6	14 900	46,0
48,0	60,5	72,3	18 400	63,4	71,3	14 400	48,0
50,0	58,8	70,9	17 800	61,8	69,9	13 900	50,0
52,0	57,1	69,5	17 100	60,0	68,4	13 500	52,0
54,0	55,4	67,9	16 500	58,3	66,8	13 100	54,0
56,0	53,6	66,3	16 000	56,5	65,2	12 700	56,0
58,0	51,8	64,5	15 500	54,7	63,4	12 400	58,0
60,0	50,0	62,7	15 000	52,8	61,5	12 000	60,0
62,0	48,0	60,7	14 500	50,8	59,4	11 700	62,0
64,0	46,0	58,5	14 100	48,7	57,2	11 400	64,0
66,0	44,0	56,2	13 600	46,6	54,9	11 200	66,0
68,0	41,8	53,8	13 300	44,4	52,3	10 900	68,0
70,0	39,5	51,1	12 900	42,0	49,6	10 700	70,0
72,0	37,1	48,1	12 500	39,5	46,5	10 400	72,0
74,0	34,5	44,9	12 200	36,9	43,2	10 200	74,0
76,0	31,7	41,3	11 900	33,9	39,4	10 100	76,0
80,0	25,1	32,5	11 300				80,0

MLC300 S-3

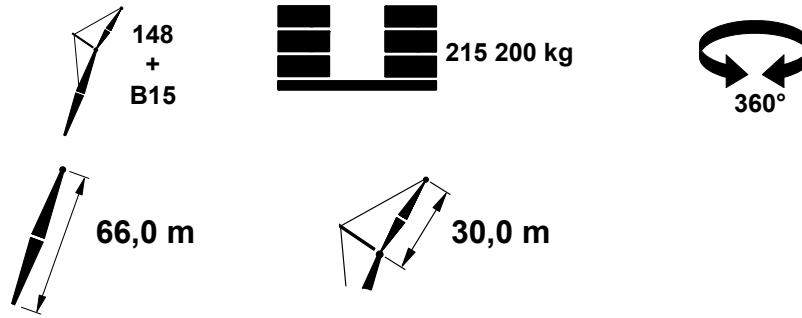
ASME B30.5



m	10°			20°			m
	°	m	kg	°	m	kg	
15,2	85,0	91,2	29 500				15,2
16,0	84,5	91,1	29 300				16,0
17,0	83,8	91,0	28 900				17,0
18,0	83,2	90,8	28 600				18,0
19,0	82,5	90,6	28 300				19,0
20,0	81,9	90,4	27 900				20,0
22,0	80,6	89,9	27 300	83,6	89,0	24 000	22,0
24,0	79,3	89,5	26 700	82,3	88,5	23 400	24,0
26,0	78,0	88,9	26 000	80,9	88,0	22 600	26,0
28,0	76,6	88,3	25 400	79,6	87,4	21 600	28,0
30,0	75,3	87,7	24 700	78,3	86,7	20 700	30,0
32,0	74,0	87,0	24 000	76,9	86,0	19 900	32,0
34,0	72,6	86,3	23 400	75,5	85,3	19 100	34,0
36,0	71,2	85,5	22 800	74,1	84,5	18 400	36,0
38,0	69,9	84,6	22 200	72,7	83,6	17 700	38,0
40,0	68,5	83,7	21 600	71,3	82,7	17 100	40,0
42,0	67,0	82,7	21 100	69,9	81,7	16 500	42,0
44,0	65,6	81,7	20 600	68,4	80,7	16 000	44,0
46,0	64,2	80,6	20 100	67,0	79,5	15 400	46,0
48,0	62,7	79,4	19 500	65,5	78,4	15 000	48,0
50,0	61,2	78,2	18 700	64,0	77,1	14 500	50,0
52,0	59,7	76,8	18 100	62,4	75,8	14 100	52,0
54,0	58,1	75,5	17 500	60,8	74,4	13 700	54,0
56,0	56,5	74,0	16 900	59,2	72,9	13 300	56,0
58,0	54,9	72,4	16 400	57,6	71,3	13 000	58,0
60,0	53,3	70,8	15 900	55,9	69,6	12 600	60,0
62,0	51,6	69,0	15 400	54,2	67,8	12 300	62,0
64,0	49,8	67,1	14 900	52,4	65,9	12 000	64,0
66,0	48,1	65,2	14 500	50,6	63,9	11 700	66,0
68,0	46,2	63,0	14 100	48,7	61,7	11 400	68,0
70,0	44,3	60,8	13 700	46,7	59,4	11 200	70,0
72,0	42,3	58,4	13 300	44,7	56,9	10 900	72,0
74,0	40,2	55,8	13 000	42,6	54,2	10 700	74,0
76,0	38,0	52,9	12 700	40,3	51,3	10 500	76,0
80,0	33,2	46,5	11 100	35,3	44,7	10 100	80,0
84,0	27,5	38,5	9 400	29,3	36,2	9 500	84,0
88,0	20,1	27,6	7 700				88,0

MLC300 S-3

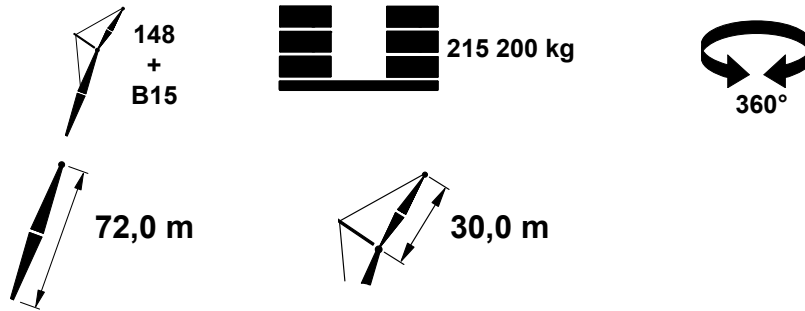
ASME B30.5



m	10°			20°			m
	°	m	kg	°	m	kg	
16,8	84,4	97,1	28 900				16,8
17,0	84,2	97,0	28 800				17,0
18,0	83,6	96,8	28 500				18,0
19,0	83,0	96,7	28 200				19,0
20,0	82,4	96,5	27 900				20,0
22,0	81,2	96,1	27 300	84,0	95,1	24 000	22,0
24,0	80,0	95,6	26 800	82,8	94,7	23 500	24,0
26,0	78,7	95,1	26 200	81,5	94,1	22 900	26,0
28,0	77,5	94,5	25 600	80,3	93,6	22 100	28,0
30,0	76,3	94,0	25 000	79,0	93,0	21 200	30,0
32,0	75,0	93,3	24 400	77,8	92,3	20 400	32,0
34,0	73,7	92,6	23 800	76,5	91,6	19 600	34,0
36,0	72,5	91,9	23 200	75,2	90,9	18 900	36,0
38,0	71,2	91,1	22 600	73,9	90,1	18 200	38,0
40,0	69,9	90,2	22 100	72,6	89,2	17 600	40,0
42,0	68,6	89,3	21 600	71,3	88,3	17 100	42,0
44,0	67,3	88,4	21 100	69,9	87,3	16 500	44,0
46,0	65,9	87,4	20 600	68,6	86,3	16 000	46,0
48,0	64,6	86,3	20 200	67,2	85,2	15 500	48,0
50,0	63,2	85,1	19 700	65,8	84,1	15 100	50,0
52,0	61,8	83,9	19 000	64,4	82,9	14 600	52,0
54,0	60,4	82,7	18 400	63,0	81,6	14 300	54,0
56,0	59,0	81,3	17 800	61,5	80,2	13 900	56,0
58,0	57,5	79,9	17 300	60,0	78,8	13 500	58,0
60,0	56,0	78,4	16 700	58,5	77,3	13 200	60,0
62,0	54,5	76,8	16 200	57,0	75,7	12 800	62,0
64,0	52,9	75,2	15 800	55,4	74,0	12 500	64,0
66,0	51,4	73,4	15 300	53,8	72,2	12 200	66,0
68,0	49,7	71,6	14 900	52,1	70,3	12 000	68,0
70,0	48,0	69,6	14 500	50,4	68,3	11 700	70,0
72,0	46,3	67,5	13 600	48,7	66,1	11 400	72,0
74,0	44,5	65,3	12 700	46,8	63,9	11 200	74,0
76,0	42,7	62,9	11 700	44,9	61,4	11 000	76,0
80,0	38,7	57,6	10 100	40,9	56,0	10 400	80,0
84,0	34,4	51,5	8 500	36,4	49,7	8 900	84,0
88,0	29,3	44,1	7 000	31,1	41,9	7 300	88,0
92,0	23,2	34,5	5 500				92,0

MLC300 S-3

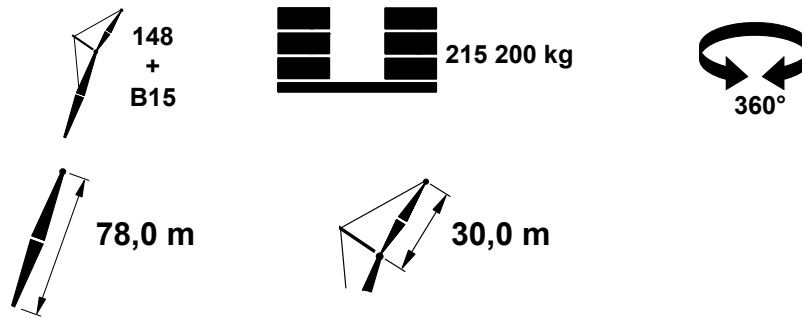
ASME B30.5



m	10°			20°			m
	°	m	kg	°	m	kg	
16,8	84,7	103,1	28 700				16,8
17,0	84,6	103,1	28 600				17,0
18,0	84,0	102,9	28 300				18,0
19,0	83,4	102,8	28 100				19,0
20,0	82,9	102,6	27 800				20,0
22,0	81,7	102,2	27 300	84,4	101,2	24 000	22,0
24,0	80,6	101,8	26 700	83,2	100,8	23 500	24,0
26,0	79,4	101,3	26 200	82,0	100,3	23 000	26,0
28,0	78,3	100,8	25 700	80,9	99,8	22 400	28,0
30,0	77,1	100,2	25 200	79,7	99,2	21 600	30,0
32,0	75,9	99,6	24 700	78,5	98,6	20 800	32,0
34,0	74,7	99,0	24 100	77,3	98,0	20 100	34,0
36,0	73,6	98,3	23 500	76,1	97,3	19 400	36,0
38,0	72,4	97,5	23 000	74,9	96,5	18 700	38,0
40,0	71,1	96,7	22 500	73,7	95,7	18 100	40,0
42,0	69,9	95,9	22 000	72,5	94,9	17 600	42,0
44,0	68,7	95,0	21 500	71,2	94,0	17 000	44,0
46,0	67,5	94,1	21 100	70,0	93,0	16 500	46,0
48,0	66,2	93,1	20 600	68,7	92,0	16 000	48,0
50,0	64,9	92,0	20 200	67,4	90,9	15 600	50,0
52,0	63,7	90,9	19 800	66,1	89,8	15 200	52,0
54,0	62,4	89,7	19 300	64,8	88,6	14 800	54,0
56,0	61,0	88,5	18 700	63,5	87,4	14 400	56,0
58,0	59,7	87,2	18 100	62,1	86,1	14 000	58,0
60,0	58,3	85,9	17 600	60,7	84,7	13 700	60,0
62,0	57,0	84,4	17 100	59,3	83,2	13 300	62,0
64,0	55,6	82,9	16 600	57,9	81,7	13 000	64,0
66,0	54,1	81,3	15 600	56,4	80,1	12 700	66,0
68,0	52,7	79,7	14 500	55,0	78,4	12 400	68,0
70,0	51,2	77,9	13 500	53,4	76,6	12 200	70,0
72,0	49,6	76,0	12 500	51,9	74,7	11 900	72,0
74,0	48,1	74,1	11 500	50,3	72,7	11 700	74,0
76,0	46,4	72,0	10 600	48,6	70,6	11 300	76,0
80,0	43,0	67,5	9 000	45,2	66,0	9 600	80,0
84,0	39,4	62,3	7 400	41,4	60,7	8 000	84,0
88,0	35,4	56,4	6 000	37,3	54,6	6 400	88,0
92,0	30,9	49,5	4 700	32,6	47,4	5 000	92,0

MLC300 S-3

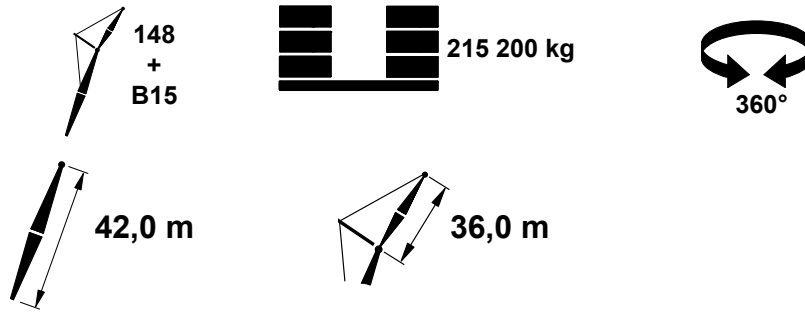
ASME B30.5



m	10°			20°			m
	°	m	kg	°	m	kg	
18,3	84,2	109,0	27 900				18,3
19,0	83,8	108,8	27 700				19,0
20,0	83,3	108,7	27 500				20,0
22,0	82,2	108,3	27 000				22,0
24,0	81,1	107,9	26 500				24,0
26,0	80,0	107,4	26 000	83,6	106,9	23 400	26,0
28,0	78,9	107,0	25 600	81,4	106,0	22 500	28,0
30,0	77,8	106,4	25 100	80,3	105,4	21 900	30,0
32,0	76,7	105,9	24 700	79,2	104,9	21 100	32,0
34,0	75,6	105,3	24 200	78,1	104,2	20 400	34,0
36,0	74,5	104,6	23 700	76,9	103,6	19 700	36,0
38,0	73,4	103,9	23 200	75,8	102,9	19 100	38,0
40,0	72,3	103,2	22 700	74,7	102,1	18 500	40,0
42,0	71,1	102,4	22 300	73,5	101,3	18 000	42,0
44,0	70,0	101,6	21 800	72,4	100,5	17 400	44,0
46,0	68,8	100,7	21 400	71,2	99,6	16 900	46,0
48,0	67,6	99,8	21 000	70,0	98,7	16 500	48,0
50,0	66,5	98,8	20 500	68,8	97,7	16 000	50,0
52,0	65,3	97,7	20 200	67,6	96,7	15 600	52,0
54,0	64,1	96,7	19 800	66,4	95,6	15 200	54,0
56,0	62,8	95,5	19 400	65,1	94,4	14 800	56,0
58,0	61,6	94,3	18 800	63,9	93,2	14 500	58,0
60,0	60,4	93,1	18 100	62,6	91,9	14 100	60,0
62,0	59,1	91,8	16 900	61,3	90,6	13 800	62,0
64,0	57,8	90,4	15 700	60,0	89,2	13 500	64,0
66,0	56,5	88,9	14 500	58,7	87,7	13 200	66,0
68,0	55,1	87,4	13 400	57,4	86,2	12 900	68,0
70,0	53,8	85,8	12 400	56,0	84,5	12 600	70,0
72,0	52,4	84,1	11 400	54,6	82,8	12 200	72,0
74,0	51,0	82,4	10 500	53,1	81,0	11 300	74,0
76,0	49,5	80,5	9 600	51,7	79,2	10 400	76,0
80,0	46,5	76,5	8 000	48,6	75,1	8 700	80,0
84,0	43,4	72,0	6 500	45,4	70,5	7 100	84,0
88,0	40,0	67,0	5 100	41,9	65,4	5 600	88,0
92,0	36,3	61,3	3 800	38,1	59,5	4 200	92,0

MLC300 S-3

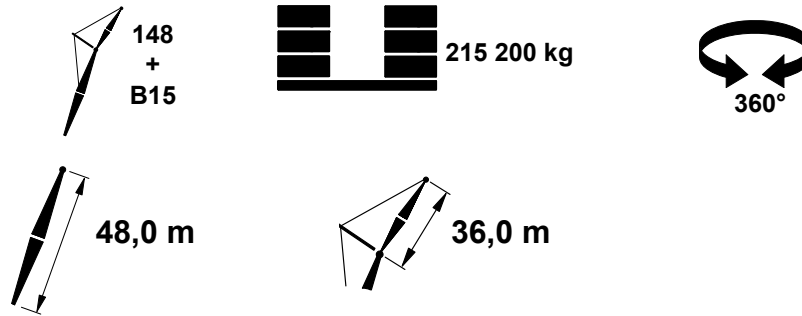
ASME B30.5



m	10°			20°			m
	°	m	kg	°	m	kg	
16,8	84,2	78,8	23 100				16,8
17,0	84,1	78,7	23 000				17,0
18,0	83,3	78,5	22 600				18,0
19,0	82,5	78,3	22 200				19,0
20,0	81,8	78,0	21 800				20,0
22,0	80,3	77,5	21 000	84,5	76,6	18 400	22,0
24,0	78,8	77,0	20 300	82,9	76,0	17 700	24,0
26,0	77,2	76,3	19 500	81,4	75,4	17 100	26,0
28,0	75,7	75,6	18 800	79,8	74,7	16 500	28,0
30,0	74,1	74,9	18 100	78,2	73,9	16 000	30,0
32,0	72,5	74,1	17 400	76,6	73,1	15 300	32,0
34,0	70,9	73,2	16 800	75,0	72,2	14 600	34,0
36,0	69,3	72,2	16 200	73,3	71,2	13 900	36,0
38,0	67,6	71,2	15 600	71,6	70,2	13 300	38,0
40,0	66,0	70,1	15 100	69,9	69,1	12 800	40,0
42,0	64,3	69,0	14 500	68,2	67,9	12 300	42,0
44,0	62,5	67,7	14 000	66,5	66,6	11 800	44,0
46,0	60,8	66,4	13 500	64,7	65,3	11 300	46,0
48,0	59,0	64,9	13 100	62,8	63,8	10 900	48,0
50,0	57,1	63,4	12 700	60,9	62,2	10 500	50,0
52,0	55,2	61,8	12 300	59,0	60,6	10 100	52,0
54,0	53,3	60,0	11 900	57,0	58,8	9 800	54,0
56,0	51,2	58,1	11 500	55,0	56,9	9 500	56,0
58,0	49,2	56,1	11 100	52,8	54,8	9 200	58,0
60,0	47,0	53,9	10 800	50,6	52,6	8 900	60,0
62,0	44,7	51,6	10 500	48,3	50,1	8 600	62,0
64,0	42,3	49,0	10 200	45,8	47,5	8 400	64,0
66,0	39,8	46,2	9 900	43,2	44,6	8 200	66,0
68,0	37,1	43,1	9 600	40,4	41,4	8 000	68,0
70,0	34,2	39,7	9 300	37,3	37,8	7 800	70,0
72,0	31,0	35,8	9 100	33,9	33,6	7 600	72,0
74,0	27,3	31,2	8 800	30,0	28,7	7 400	74,0
76,0	23,0	25,6	8 600				76,0

MLC300 S-3

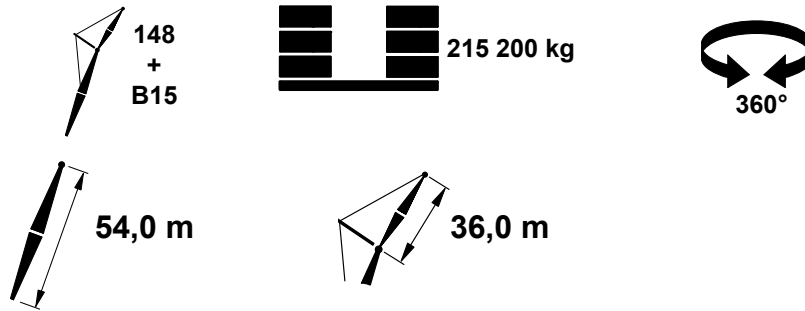
ASME B30.5



m	10°			20°			m
	°	m	kg	°	m	kg	
16,8	84,7	84,8	23 200				16,8
17,0	84,5	84,8	23 100				17,0
18,0	83,8	84,6	22 700				18,0
19,0	83,1	84,4	22 400				19,0
20,0	82,4	84,2	22 000				20,0
22,0	81,0	83,7	21 300				22,0
24,0	79,6	83,2	20 600	83,5	82,2	17 900	24,0
26,0	78,2	82,6	19 900	82,0	81,6	17 300	26,0
28,0	76,7	82,0	19 200	80,6	80,9	16 800	28,0
30,0	75,3	81,3	18 500	79,1	80,2	16 200	30,0
32,0	73,8	80,5	17 900	77,6	79,5	15 700	32,0
34,0	72,4	79,7	17 300	76,1	78,7	15 100	34,0
36,0	70,9	78,8	16 700	74,6	77,8	14 400	36,0
38,0	69,4	77,9	16 200	73,1	76,8	13 800	38,0
40,0	67,9	76,9	15 700	71,6	75,8	13 300	40,0
42,0	66,3	75,9	15 100	70,0	74,8	12 800	42,0
44,0	64,7	74,7	14 600	68,4	73,6	12 300	44,0
46,0	63,1	73,5	14 200	66,8	72,4	11 900	46,0
48,0	61,5	72,2	13 700	65,1	71,1	11 400	48,0
50,0	59,9	70,9	13 300	63,5	69,7	11 000	50,0
52,0	58,2	69,4	12 900	61,7	68,2	10 700	52,0
54,0	56,5	67,8	12 500	60,0	66,6	10 300	54,0
56,0	54,7	66,2	12 100	58,2	64,9	10 000	56,0
58,0	52,9	64,4	11 800	56,3	63,1	9 700	58,0
60,0	51,0	62,6	11 400	54,4	61,2	9 400	60,0
62,0	49,1	60,6	11 100	52,4	59,2	9 100	62,0
64,0	47,1	58,4	10 800	50,4	57,0	8 900	64,0
66,0	45,0	56,1	10 500	48,3	54,6	8 700	66,0
68,0	42,8	53,6	10 300	46,0	52,0	8 400	68,0
70,0	40,5	50,9	10 000	43,7	49,3	8 200	70,0
72,0	38,1	48,0	9 700	41,1	46,2	8 000	72,0
74,0	35,5	44,8	9 500	38,4	42,8	7 800	74,0
76,0	32,7	41,2	9 200	35,5	39,0	7 700	76,0
80,0	26,1	32,3	8 700				80,0

MLC300 S-3

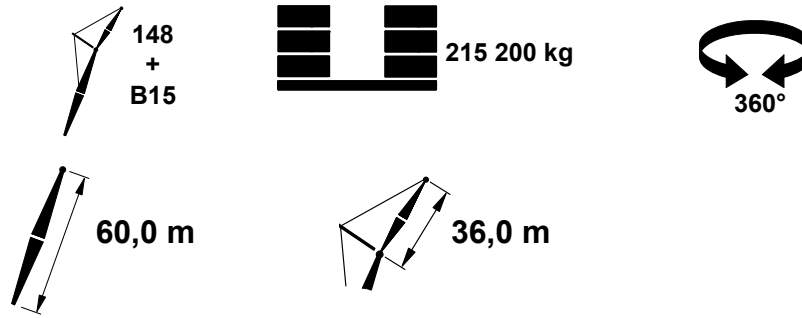
ASME B30.5



m	10°			20°			m
	°	m	kg	°	m	kg	
18,3	84,0	90,6	22 700				18,3
19,0	83,6	90,5	22 500				19,0
20,0	82,9	90,3	22 100				20,0
22,0	81,6	89,9	21 500				22,0
24,0	80,3	89,4	20 800				24,0
26,0	79,0	88,8	20 200	83,9	88,3	18 000	26,0
28,0	77,7	88,2	19 500	82,6	87,8	17 500	28,0
30,0	76,3	87,6	18 900	81,2	87,2	17 000	30,0
32,0	75,0	86,9	18 300	79,9	86,5	16 500	32,0
34,0	73,6	86,2	17 700	78,5	85,8	16 000	34,0
36,0	72,2	85,4	17 200	77,1	85,1	15 500	36,0
38,0	70,9	84,5	16 700	75,8	84,3	14 900	38,0
40,0	69,5	83,6	16 200	74,3	83,4	14 300	40,0
42,0	68,0	82,6	15 700	72,9	82,5	13 800	42,0
44,0	66,6	81,6	15 200	71,5	81,5	13 300	44,0
46,0	65,2	80,5	14 800	70,0	80,4	12 800	46,0
48,0	63,7	79,3	14 300	68,6	79,3	12 300	48,0
50,0	62,2	78,1	13 900	67,1	78,1	11 900	50,0
52,0	60,7	76,7	13 500	65,5	76,9	11 500	52,0
54,0	59,1	75,4	13 100	64,0	75,5	11 200	54,0
56,0	57,5	73,9	12 700	62,4	74,1	10 800	56,0
58,0	55,9	72,3	12 400	60,8	72,6	10 500	58,0
60,0	54,3	70,7	12 000	59,2	71,0	10 200	60,0
62,0	52,6	68,9	11 700	57,5	69,3	9 900	62,0
64,0	50,8	67,0	11 400	55,7	67,5	9 600	64,0
66,0	49,0	65,0	11 100	54,0	65,6	9 300	66,0
68,0	47,2	62,9	10 800	52,1	63,6	9 100	68,0
70,0	45,2	60,7	10 600	50,2	61,4	8 900	70,0
72,0	43,2	58,2	10 300	48,3	59,1	8 700	72,0
74,0	41,2	55,6	10 100	46,2	56,6	8 400	74,0
76,0	39,0	52,8	9 800	44,0	53,9	8 300	76,0
80,0	34,1	46,3	9 300	41,8	51,0	8 100	80,0
84,0	28,4	38,3	8 900	36,7	44,2	7 700	84,0
88,0	20,9	27,3	8 500	30,7	35,7	7 500	88,0

MLC300 S-3

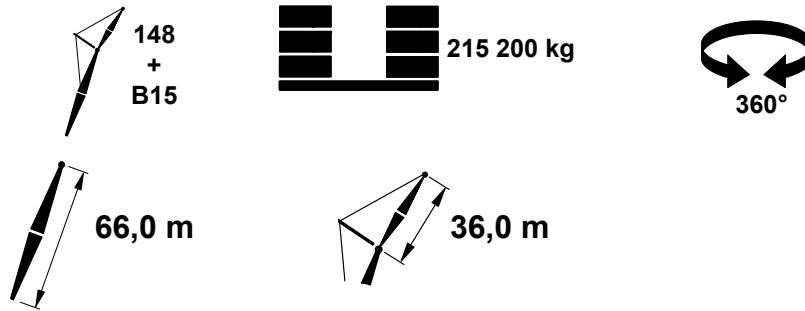
ASME B30.5



m	10°			20°			m
	°	m	kg	°	m	kg	
18,3	84,4	96,7	22 700				18,3
19,0	84,0	96,6	22 500				19,0
20,0	83,4	96,4	22 200				20,0
22,0	82,1	96,0	21 600				22,0
24,0	80,9	95,5	21 000				24,0
26,0	79,7	95,0	20 400	83,1	93,9	17 600	26,0
28,0	78,5	94,5	19 800	81,8	93,4	17 100	28,0
30,0	77,2	93,9	19 200	80,5	92,8	16 600	30,0
32,0	76,0	93,2	18 700	79,3	92,1	16 200	32,0
34,0	74,7	92,6	18 100	78,0	91,4	15 800	34,0
36,0	73,4	91,8	17 600	76,7	90,7	15 300	36,0
38,0	72,1	91,0	17 100	75,4	89,9	14 700	38,0
40,0	70,8	90,2	16 600	74,1	89,0	14 200	40,0
42,0	69,5	89,3	16 100	72,8	88,1	13 700	42,0
44,0	68,2	88,3	15 700	71,4	87,1	13 200	44,0
46,0	66,9	87,3	15 200	70,1	86,1	12 800	46,0
48,0	65,5	86,2	14 800	68,7	85,0	12 400	48,0
50,0	64,1	85,1	14 400	67,3	83,9	12 000	50,0
52,0	62,7	83,9	14 000	65,9	82,6	11 600	52,0
54,0	61,3	82,6	13 600	64,5	81,3	11 300	54,0
56,0	59,9	81,3	13 300	63,0	80,0	10 900	56,0
58,0	58,4	79,8	12 900	61,5	78,5	10 600	58,0
60,0	56,9	78,4	12 600	60,0	77,0	10 300	60,0
62,0	55,4	76,8	12 300	58,4	75,4	10 100	62,0
64,0	53,9	75,1	12 000	56,9	73,7	9 800	64,0
66,0	52,3	73,3	11 700	55,2	71,9	9 500	66,0
68,0	50,6	71,5	11 400	53,6	70,0	9 300	68,0
70,0	49,0	69,5	11 100	51,9	68,0	9 100	70,0
72,0	47,2	67,4	10 900	50,1	65,8	8 900	72,0
74,0	45,5	65,2	10 600	48,3	63,6	8 700	74,0
76,0	43,6	62,8	10 400	46,4	61,1	8 500	76,0
80,0	39,6	57,5	9 900	42,3	55,7	8 100	80,0
84,0	35,3	51,4	9 400	37,7	49,3	7 800	84,0
88,0	30,2	43,9	8 800	32,4	41,5	7 600	88,0
92,0	24,0	34,4	7 400				92,0

MLC300 S-3

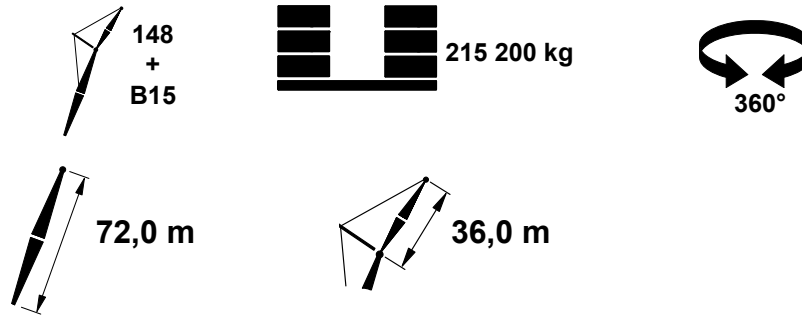
ASME B30.5



m	10°			20°			m
	°	m	kg	°	m	kg	
18,3	84,7	102,8	22 600				18,3
19,0	84,3	102,7	22 400				19,0
20,0	83,8	102,5	22 200				20,0
22,0	82,6	102,1	21 600				22,0
24,0	81,5	101,7	21 100				24,0
26,0	80,3	101,2	20 500	83,5	100,1	17 700	26,0
28,0	79,1	100,7	20 000	82,3	99,5	17 200	28,0
30,0	78,0	100,1	19 500	81,1	99,0	16 800	30,0
32,0	76,8	99,5	19 000	79,9	98,4	16 400	32,0
34,0	75,6	98,9	18 400	78,7	97,7	16 000	34,0
36,0	74,4	98,2	17 900	77,5	97,0	15 600	36,0
38,0	73,2	97,4	17 500	76,3	96,3	15 100	38,0
40,0	72,0	96,6	17 000	75,1	95,5	14 600	40,0
42,0	70,8	95,8	16 500	73,9	94,6	14 100	42,0
44,0	69,6	94,9	16 100	72,6	93,7	13 600	44,0
46,0	68,3	94,0	15 700	71,4	92,7	13 200	46,0
48,0	67,1	93,0	15 300	70,1	91,7	12 800	48,0
50,0	65,8	91,9	14 900	68,8	90,7	12 400	50,0
52,0	64,5	90,8	14 500	67,5	89,5	12 000	52,0
54,0	63,2	89,6	14 100	66,2	88,4	11 700	54,0
56,0	61,9	88,4	13 800	64,8	87,1	11 400	56,0
58,0	60,6	87,1	13 400	63,5	85,8	11 100	58,0
60,0	59,2	85,7	13 100	62,1	84,4	10 800	60,0
62,0	57,8	84,3	12 800	60,7	82,9	10 500	62,0
64,0	56,4	82,8	12 500	59,3	81,4	10 200	64,0
66,0	55,0	81,2	12 200	57,8	79,8	10 000	66,0
68,0	53,5	79,5	11 900	56,3	78,1	9 700	68,0
70,0	52,0	77,8	11 600	54,8	76,3	9 500	70,0
72,0	50,5	75,9	11 400	53,2	74,4	9 300	72,0
74,0	48,9	73,9	11 100	51,6	72,4	9 100	74,0
76,0	47,3	71,9	10 900	49,9	70,2	8 900	76,0
80,0	43,9	67,3	10 400	46,5	65,6	8 500	80,0
84,0	40,2	62,2	9 400	42,7	60,3	8 200	84,0
88,0	36,2	56,2	8 000	38,5	54,2	7 900	88,0
92,0	31,7	49,2	6 600	33,8	46,8	7 000	92,0
96,0	26,3	40,6	5 300				96,0
100,0	19,3	28,7	3 900				100,0

MLC300 S-3

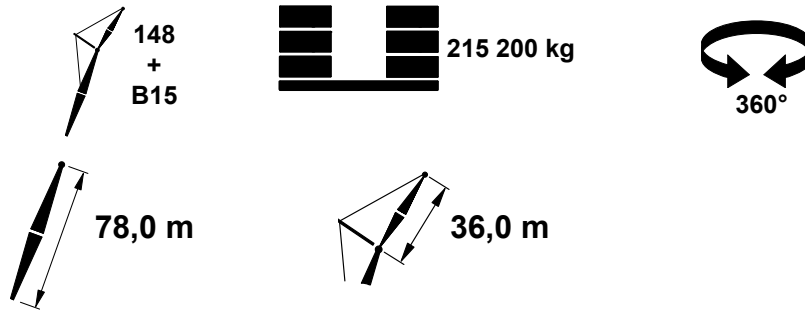
ASME B30.5



m	10°			20°			m
	°	m	kg	°	m	kg	
19,8	84,2	108,6	22 100				19,8
20,0	84,1	108,6	22 100				20,0
22,0	83,0	108,2	21 600				22,0
24,0	81,9	107,8	21 100				24,0
26,0	80,9	107,3	20 600			17 700	26,0
28,0	79,8	106,9	20 100	83,9	106,2	17 300	28,0
30,0	78,7	106,3	19 600	81,6	105,2	16 900	30,0
32,0	77,6	105,8	19 100	80,5	104,6	16 500	32,0
34,0	76,5	105,2	18 700	79,4	104,0	16 100	34,0
36,0	75,3	104,5	18 200	78,3	103,3	15 800	36,0
38,0	74,2	103,8	17 800	77,1	102,6	15 400	38,0
40,0	73,1	103,1	17 300	76,0	101,9	14 900	40,0
42,0	71,9	102,3	16 900	74,8	101,1	14 400	42,0
44,0	70,8	101,4	16 500	73,7	100,2	14 000	44,0
46,0	69,6	100,6	16 100	72,5	99,3	13 600	46,0
48,0	68,5	99,6	15 700	71,3	98,4	13 200	48,0
50,0	67,3	98,7	15 300	70,1	97,4	12 800	50,0
52,0	66,1	97,6	14 900	68,9	96,4	12 400	52,0
54,0	64,9	96,5	14 600	67,7	95,3	12 100	54,0
56,0	63,7	95,4	14 200	66,4	94,1	11 700	56,0
58,0	62,4	94,2	13 900	65,2	92,9	11 400	58,0
60,0	61,2	92,9	13 600	63,9	91,6	11 100	60,0
62,0	59,9	91,6	13 200	62,6	90,3	10 900	62,0
64,0	58,6	90,2	12 900	61,3	88,9	10 600	64,0
66,0	57,3	88,8	12 600	60,0	87,4	10 300	66,0
68,0	56,0	87,3	12 400	58,6	85,8	10 100	68,0
70,0	54,6	85,7	12 100	57,2	84,2	9 900	70,0
72,0	53,2	84,0	11 800	55,8	82,5	9 600	72,0
74,0	51,8	82,2	11 600	54,4	80,7	9 400	74,0
76,0	50,4	80,4	11 300	52,9	78,8	9 200	76,0
80,0	47,3	76,3	9 900	49,8	74,7	8 900	80,0
84,0	44,2	71,9	8 300	46,6	70,1	8 500	84,0
88,0	40,7	66,8	6 900	43,1	64,9	7 500	88,0
92,0	37,0	61,1	5 600	39,2	59,0	6 100	92,0
96,0	32,9	54,5	4 400	35,0	52,1	4 800	96,0
100,0	28,2	46,5	3 200	29,9	43,6	3 500	100,0

MLC300 S-3

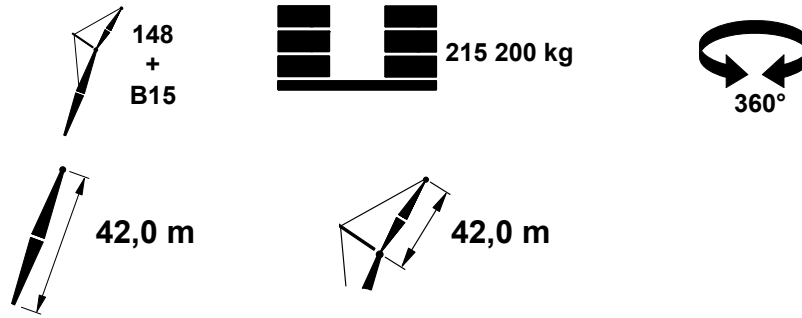
ASME B30.5



m	10°			20°			m
	°	m	kg	°	m	kg	
19,8	84,5	114,7	21 900				19,8
20,0	84,4	114,6	21 800				20,0
22,0	83,4	114,3	21 400				22,0
24,0	82,4	113,9	21 000				24,0
26,0	81,4	113,5	20 500				26,0
28,0	80,3	113,0	20 100	84,2	112,3	17 700	28,0
30,0	79,3	112,5	19 600	82,1	111,3	16 900	30,0
32,0	78,2	112,0	19 200	81,0	110,8	16 500	32,0
34,0	77,2	111,4	18 800	80,0	110,2	16 200	34,0
36,0	76,1	110,8	18 300	78,9	109,6	15 900	36,0
38,0	75,1	110,2	17 900	77,9	108,9	15 500	38,0
40,0	74,0	109,5	17 500	76,8	108,2	15 200	40,0
42,0	72,9	108,7	17 100	75,7	107,5	14 700	42,0
44,0	71,9	107,9	16 700	74,6	106,7	14 300	44,0
46,0	70,8	107,1	16 300	73,5	105,9	13 900	46,0
48,0	69,7	106,2	16 000	72,4	105,0	13 500	48,0
50,0	68,6	105,3	15 600	71,3	104,0	13 100	50,0
52,0	67,5	104,4	15 200	70,1	103,1	12 800	52,0
54,0	66,3	103,3	14 900	69,0	102,0	12 400	54,0
56,0	65,2	102,3	14 600	67,8	101,0	12 100	56,0
58,0	64,0	101,2	14 200	66,7	99,8	11 800	58,0
60,0	62,9	100,0	13 900	65,5	98,7	11 500	60,0
62,0	61,7	98,8	13 600	64,3	97,4	11 200	62,0
64,0	60,5	97,5	13 300	63,1	96,1	10 900	64,0
66,0	59,3	96,2	13 000	61,9	94,8	10 700	66,0
68,0	58,1	94,8	12 800	60,6	93,3	10 400	68,0
70,0	56,8	93,3	12 500	59,4	91,8	10 200	70,0
72,0	55,6	91,7	12 200	58,1	90,3	10 000	72,0
74,0	54,3	90,1	11 400	56,7	88,6	9 800	74,0
76,0	52,9	88,4	10 500	55,4	86,9	9 600	76,0
80,0	50,2	84,8	8 900	52,6	83,2	9 100	80,0
84,0	47,4	80,8	7 400	49,7	79,2	8 100	84,0
88,0	44,4	76,4	6 000	46,7	74,6	6 600	88,0
92,0	41,2	71,5	4 700	43,4	69,6	5 300	92,0
96,0	37,8	65,9	3 500	39,9	63,8	4 000	96,0

MLC300 S-3

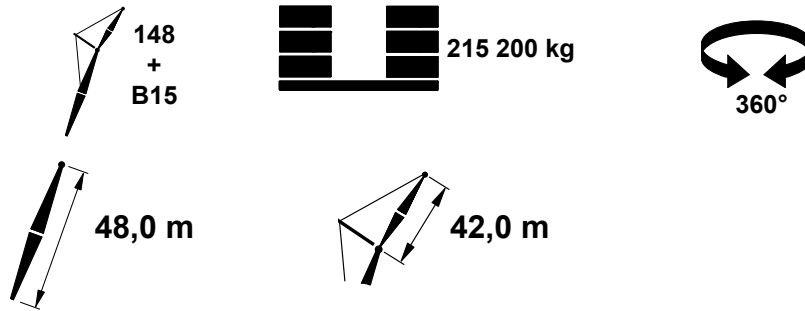
ASME B30.5



m	10°			20°			m
	°	m	kg	°	m	kg	
16,8	84,3	85,0	19 400				16,8
17,0	84,2	84,9	19 300				17,0
18,0	83,5	84,8	19 000				18,0
19,0	82,8	84,6	18 600				19,0
20,0	82,1	84,3	18 200				20,0
22,0	80,7	83,9	17 500				22,0
24,0	79,3	83,3	16 800	83,9	82,5	14 500	24,0
26,0	77,9	82,7	16 100	82,4	81,9	13 900	26,0
28,0	76,4	82,1	15 400	81,0	81,2	13 300	28,0
30,0	75,0	81,4	14 800	79,5	80,5	12 800	30,0
32,0	73,5	80,7	14 100	78,1	79,8	12 300	32,0
34,0	72,1	79,9	13 500	76,6	79,0	11 800	34,0
36,0	70,6	79,0	13 000	75,1	78,1	11 300	36,0
38,0	69,1	78,1	12 400	73,6	77,1	10 900	38,0
40,0	67,6	77,1	11 900	72,0	76,1	10 500	40,0
42,0	66,0	76,0	11 400	70,5	75,1	10 100	42,0
44,0	64,5	74,9	10 900	68,9	73,9	9 700	44,0
46,0	62,9	73,7	10 500	67,3	72,7	9 300	46,0
48,0	61,3	72,4	10 100	65,6	71,4	9 000	48,0
50,0	59,6	71,0	9 700	64,0	70,0	8 600	50,0
52,0	57,9	69,6	9 300	62,2	68,5	8 300	52,0
54,0	56,2	68,0	8 900	60,5	67,0	8 000	54,0
56,0	54,5	66,4	8 600	58,7	65,3	7 800	56,0
58,0	52,6	64,6	8 300	56,9	63,5	7 500	58,0
60,0	50,8	62,8	8 000	55,0	61,6	7 200	60,0
62,0	48,9	60,8	7 700	53,0	59,6	7 000	62,0
64,0	46,9	58,6	7 400	51,0	57,4	6 800	64,0
66,0	44,8	56,3	7 100	48,9	55,0	6 600	66,0
68,0	42,6	53,9	6 900	46,6	52,5	6 400	68,0
70,0	40,4	51,2	6 600	44,3	49,7	6 200	70,0
72,0	37,9	48,3	6 400	41,8	46,7	6 000	72,0
74,0	35,4	45,0	6 200	39,1	43,4	5 900	74,0
76,0	32,6	41,5	6 000	36,2	39,6	5 700	76,0
80,0	26,0	32,7	5 700				80,0

MLC300 S-3

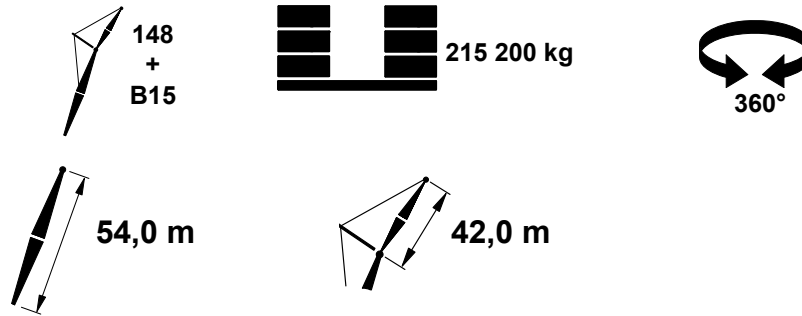
ASME B30.5



m	10°			20°			m
	°	m	kg	°	m	kg	
16,8	84,7	91,1	19 500				16,8
17,0	84,6	91,0	19 400				17,0
18,0	83,9	90,9	19 100				18,0
19,0	83,3	90,7	18 800				19,0
20,0	82,6	90,5	18 400				20,0
22,0	81,3	90,0	17 700				22,0
24,0	80,0	89,5	17 100				24,0
26,0	78,7	89,0	16 400	83,0	88,1	14 000	26,0
28,0	77,4	88,4	15 800	81,6	87,5	13 500	28,0
30,0	76,0	87,8	15 100	80,3	86,8	13 000	30,0
32,0	74,7	87,1	14 600	78,9	86,1	12 500	32,0
34,0	73,3	86,3	14 000	77,5	85,4	12 100	34,0
36,0	72,0	85,5	13 400	76,2	84,5	11 600	36,0
38,0	70,6	84,7	12 900	74,8	83,7	11 200	38,0
40,0	69,2	83,8	12 400	73,4	82,8	10 800	40,0
42,0	67,8	82,8	11 900	71,9	81,8	10 400	42,0
44,0	66,3	81,7	11 500	70,5	80,7	10 000	44,0
46,0	64,9	80,6	11 000	69,0	79,6	9 700	46,0
48,0	63,4	79,5	10 600	67,5	78,4	9 300	48,0
50,0	61,9	78,2	10 200	66,0	77,2	9 100	50,0
52,0	60,4	76,9	9 900	64,5	75,8	8 700	52,0
54,0	58,9	75,5	9 500	62,9	74,4	8 400	54,0
56,0	57,3	74,1	9 200	61,3	72,9	8 200	56,0
58,0	55,7	72,5	8 800	59,6	71,3	7 900	58,0
60,0	54,0	70,8	8 500	58,0	69,7	7 600	60,0
62,0	52,3	69,1	8 200	56,2	67,9	7 400	62,0
64,0	50,6	67,2	7 900	54,5	66,0	7 200	64,0
66,0	48,8	65,2	7 700	52,6	64,0	7 000	66,0
68,0	47,0	63,1	7 400	50,8	61,8	6 800	68,0
70,0	45,0	60,9	7 200	48,8	59,5	6 600	70,0
72,0	43,1	58,5	6 900	46,8	57,0	6 400	72,0
74,0	41,0	55,9	6 700	44,6	54,3	6 200	74,0
76,0	38,8	53,0	6 500	42,4	51,4	6 100	76,0
80,0	34,0	46,6	6 100	37,4	44,8	5 800	80,0
84,0	28,3	38,7	5 700	31,4	36,4	5 600	84,0
88,0	20,9	27,8	5 500				88,0

MLC300 S-3

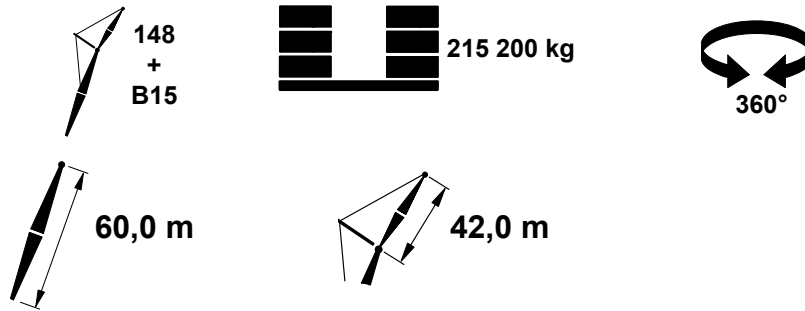
ASME B30.5



m	10°			20°			m
	°	m	kg	°	m	kg	
18,3	84,1	96,9	19 100				18,3
19,0	83,7	96,8	18 800				19,0
20,0	83,1	96,6	18 500				20,0
22,0	81,9	96,2	17 900				22,0
24,0	80,7	95,7	17 300				24,0
26,0	79,4	95,2	16 700	83,4	94,2	14 200	26,0
28,0	78,2	94,6	16 100	82,2	93,7	13 700	28,0
30,0	76,9	94,0	15 500	80,9	93,1	13 200	30,0
32,0	75,7	93,4	14 900	79,7	92,4	12 800	32,0
34,0	74,4	92,7	14 400	78,4	91,7	12 300	34,0
36,0	73,2	92,0	13 900	77,1	91,0	11 900	36,0
38,0	71,9	91,2	13 400	75,8	90,1	11 500	38,0
40,0	70,6	90,3	12 900	74,5	89,3	11 100	40,0
42,0	69,3	89,4	12 400	73,2	88,4	10 700	42,0
44,0	68,0	88,5	12 000	71,8	87,4	10 400	44,0
46,0	66,6	87,5	11 500	70,5	86,4	10 000	46,0
48,0	65,3	86,4	11 100	69,1	85,3	9 700	48,0
50,0	63,9	85,2	10 700	67,7	84,1	9 400	50,0
52,0	62,5	84,0	10 400	66,3	82,9	9 100	52,0
54,0	61,1	82,8	10 000	64,9	81,6	8 800	54,0
56,0	59,7	81,4	9 700	63,4	80,3	8 600	56,0
58,0	58,2	80,0	9 300	61,9	78,9	8 300	58,0
60,0	56,7	78,5	9 000	60,4	77,3	8 000	60,0
62,0	55,2	77,0	8 700	58,9	75,7	7 800	62,0
64,0	53,7	75,3	8 500	57,3	74,1	7 600	64,0
66,0	52,1	73,5	8 200	55,7	72,3	7 300	66,0
68,0	50,4	71,7	7 900	54,0	70,4	7 100	68,0
70,0	48,8	69,7	7 600	52,3	68,4	6 900	70,0
72,0	47,1	67,6	7 400	50,6	66,2	6 800	72,0
74,0	45,3	65,4	7 200	48,8	64,0	6 600	74,0
76,0	43,4	63,0	7 000	46,9	61,5	6 400	76,0
80,0	39,5	57,8	6 500	42,8	56,1	6 100	80,0
84,0	35,1	51,7	6 200	38,3	49,8	5 800	84,0
88,0	30,1	44,3	5 800	33,1	42,1	5 600	88,0
92,0	24,0	34,8	5 600				92,0

MLC300 S-3

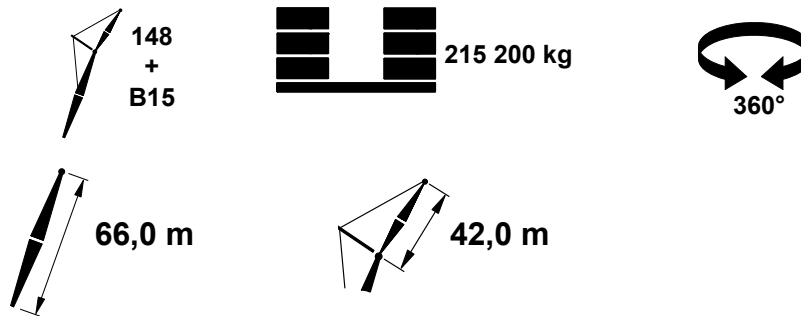
ASME B30.5



m	10°			20°			m
	°	m	kg	°	m	kg	
18,3	84,5	102,9	19 100				18,3
19,0	84,1	102,8	18 900				19,0
20,0	83,5	102,7	18 600				20,0
22,0	82,4	102,3	18 000				22,0
24,0	81,2	101,8	17 400				24,0
26,0	80,1	101,4	16 900	83,8	100,4	14 300	26,0
28,0	78,9	100,9	16 300	82,7	99,8	13 800	28,0
30,0	77,7	100,3	15 800	81,5	99,3	13 400	30,0
32,0	76,6	99,7	15 300	80,3	98,7	13 000	32,0
34,0	75,4	99,0	14 700	79,1	98,0	12 500	34,0
36,0	74,2	98,4	14 200	77,9	97,3	12 100	36,0
38,0	73,0	97,6	13 700	76,7	96,6	11 700	38,0
40,0	71,8	96,8	13 300	75,5	95,8	11 400	40,0
42,0	70,6	96,0	12 800	74,2	94,9	11 000	42,0
44,0	69,4	95,1	12 400	73,0	94,0	10 700	44,0
46,0	68,1	94,2	12 000	71,7	93,1	10 300	46,0
48,0	66,9	93,2	11 600	70,5	92,1	10 000	48,0
50,0	65,6	92,1	11 200	69,2	91,0	9 700	50,0
52,0	64,3	91,0	10 800	67,9	89,9	9 400	52,0
54,0	63,0	89,8	10 500	66,6	88,7	9 200	54,0
56,0	61,7	88,6	10 100	65,2	87,4	8 900	56,0
58,0	60,4	87,3	9 800	63,9	86,1	8 600	58,0
60,0	59,0	86,0	9 500	62,5	84,7	8 400	60,0
62,0	57,6	84,5	9 200	61,1	83,3	8 100	62,0
64,0	56,2	83,0	8 900	59,7	81,8	7 900	64,0
66,0	54,8	81,4	8 700	58,2	80,2	7 700	66,0
68,0	53,3	79,8	8 400	56,7	78,5	7 500	68,0
70,0	51,8	78,0	8 100	55,2	76,7	7 300	70,0
72,0	50,3	76,1	7 900	53,7	74,8	7 100	72,0
74,0	48,7	74,2	7 600	52,1	72,8	6 900	74,0
76,0	47,1	72,1	7 400	50,4	70,7	6 800	76,0
80,0	43,7	67,6	7 000	47,0	66,0	6 400	80,0
84,0	40,1	62,5	6 600	43,2	60,8	6 100	84,0
88,0	36,1	56,6	6 300	39,1	54,7	5 900	88,0
92,0	31,6	49,6	5 900	34,4	47,5	5 700	92,0
96,0	26,3	41,1	5 700	28,8	38,4	5 500	96,0
100,0	19,4	29,4	5 400				100,0

MLC300 S-3

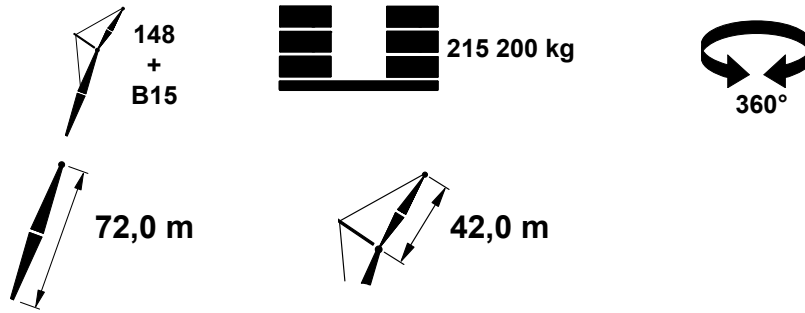
ASME B30.5



m	10°			20°			m
	°	m	kg	°	m	kg	
18,3	84,8	109,0	18 900				18,3
19,0	84,4	108,9	18 800				19,0
20,0	83,9	108,7	18 600				20,0
22,0	82,8	108,4	18 100				22,0
24,0	81,7	107,9	17 500				24,0
26,0	80,6	107,5	17 000	84,2	106,4	14 400	26,0
28,0	79,5	107,0	16 500	83,1	106,0	13 900	28,0
30,0	78,4	106,5	16 000	82,0	105,4	13 500	30,0
32,0	77,3	105,9	15 500	80,9	104,8	13 100	32,0
34,0	76,2	105,3	15 000	79,7	104,2	12 700	34,0
36,0	75,1	104,7	14 500	78,6	103,6	12 300	36,0
38,0	74,0	104,0	14 100	77,5	102,9	12 000	38,0
40,0	72,9	103,2	13 600	76,3	102,1	11 600	40,0
42,0	71,7	102,4	13 200	75,2	101,3	11 300	42,0
44,0	70,6	101,6	12 800	74,0	100,5	11 000	44,0
46,0	69,4	100,7	12 400	72,9	99,6	10 600	46,0
48,0	68,3	99,8	12 000	71,7	98,7	10 300	48,0
50,0	67,1	98,8	11 600	70,5	97,7	10 000	50,0
52,0	65,9	97,8	11 300	69,3	96,6	9 700	52,0
54,0	64,7	96,7	10 900	68,1	95,5	9 500	54,0
56,0	63,5	95,6	10 600	66,8	94,4	9 200	56,0
58,0	62,2	94,4	10 300	65,6	93,2	8 900	58,0
60,0	61,0	93,1	10 000	64,3	91,9	8 700	60,0
62,0	59,7	91,8	9 700	63,0	90,6	8 500	62,0
64,0	58,4	90,4	9 400	61,7	89,2	8 200	64,0
66,0	57,1	89,0	9 100	60,4	87,7	8 000	66,0
68,0	55,8	87,5	8 800	59,0	86,1	7 800	68,0
70,0	54,4	85,9	8 600	57,6	84,5	7 600	70,0
72,0	53,0	84,2	8 300	56,2	82,8	7 400	72,0
74,0	51,6	82,4	8 100	54,8	81,0	7 200	74,0
76,0	50,2	80,6	7 900	53,3	79,1	7 100	76,0
80,0	47,2	76,6	7 400	50,3	75,1	6 700	80,0
84,0	44,0	72,1	7 000	47,0	70,5	6 400	84,0
88,0	40,6	67,1	6 700	43,5	65,4	6 200	88,0
92,0	36,9	61,4	6 300	39,7	59,5	5 900	92,0
96,0	32,8	54,8	5 800	35,5	52,6	5 700	96,0
100,0	28,1	46,8	4 700	30,5	44,3	5 100	100,0

MLC300 S-3

ASME B30.5



m	10°			20°			m
	°	m	kg	°	m	kg	
19,8	84,3	114,8	18 400				19,8
20,0	84,2	114,8	18 400				20,0
22,0	83,2	114,4	18 000				22,0
24,0	82,2	114,1	17 600				24,0
26,0	81,1	113,6	17 100				26,0
28,0	80,1	113,2	16 600	84,5	112,6	14 400	28,0
30,0	79,1	112,7	16 200	82,4	111,6	13 600	30,0
32,0	78,0	112,2	15 700	81,4	111,1	13 200	32,0
34,0	77,0	111,6	15 200	80,3	110,5	12 900	34,0
36,0	75,9	111,0	14 800	79,2	109,9	12 500	36,0
38,0	74,9	110,3	14 400	78,2	109,2	12 200	38,0
40,0	73,8	109,6	13 900	77,1	108,5	11 800	40,0
42,0	72,7	108,9	13 500	76,0	107,7	11 500	42,0
44,0	71,7	108,1	13 100	74,9	107,0	11 200	44,0
46,0	70,6	107,3	12 700	73,8	106,1	10 900	46,0
48,0	69,5	106,4	12 400	72,7	105,2	10 600	48,0
50,0	68,4	105,5	12 000	71,6	104,3	10 300	50,0
52,0	67,3	104,5	11 700	70,5	103,3	10 000	52,0
54,0	66,1	103,5	11 300	69,3	102,3	9 700	54,0
56,0	65,0	102,5	11 000	68,2	101,2	9 500	56,0
58,0	63,9	101,3	10 700	67,0	100,1	9 300	58,0
60,0	62,7	100,2	10 400	65,8	98,9	9 000	60,0
62,0	61,5	99,0	10 100	64,7	97,7	8 800	62,0
64,0	60,3	97,7	9 800	63,4	96,4	8 500	64,0
66,0	59,1	96,3	9 500	62,2	95,0	8 300	66,0
68,0	57,9	94,9	9 300	61,0	93,6	8 100	68,0
70,0	56,6	93,5	9 000	59,7	92,1	8 000	70,0
72,0	55,4	91,9	8 800	58,4	90,6	7 800	72,0
74,0	54,1	90,3	8 500	57,1	88,9	7 600	74,0
76,0	52,8	88,6	8 300	55,8	87,2	7 400	76,0
80,0	50,1	85,0	7 900	53,0	83,6	7 000	80,0
84,0	47,2	81,1	7 400	50,2	79,5	6 700	84,0
88,0	44,2	76,6	7 100	47,1	75,0	6 500	88,0
92,0	41,1	71,7	6 100	43,8	70,0	6 200	92,0
96,0	37,6	66,2	4 900	40,3	64,3	5 500	96,0
100,0	33,9	59,9	3 800	36,4	57,7	4 300	100,0