

# Liftcrane Jib Capacities

Jib No. 148 on  
 Boom No. B15:505-500  
 474,400 lb VPC (Variable Position Counterweight)  
 360 Degree Rating

## MLC300 SERIES 3



**LIFTING CAPACITIES:** Chart supplements Boom Capacity chart No. 9678-A. Lifting capacities for various boom lengths, jib lengths, and jib operating radii are for freely suspended loads and may be based on percent of static tipping or strength of structural components. Capacities must be reduced by applicable deducts.

Weight of all load blocks, hooks, weight ball, slings, hoist lines, etc., beneath boom and jib point sheaves is considered part of the jib load. Boom and jib are not to be lowered beyond radii where combined weights are greater than rated capacity. Where no capacity is shown, operation is not intended or approved.

**OPERATING CONDITIONS:** Machine to operate on a firm, level, and uniformly supporting surface. Refer to Boom Rigging No. 80109323, Jib Rigging No. 81023385, Wire Rope Specifications chart No. 9689-A, Counterweight Arrangements chart No. 9345-A, and Wind Conditions chart No. 9688-A. Crane operator judgment must be used to allow for dynamic load effects of swinging, hoisting or lowering, travel, wind conditions, as well as adverse operating conditions and physical machine depreciation. Refer to the Operator Manual for operating guidelines.

**MACHINE TRAVEL:** Machine to travel on a firm, level, and uniformly supporting surface. Boom must be within boom angle range shown in capacity chart. Refer to Maximum Allowable Travel Specifications chart No. 9687-A.



**OPERATING RADIUS:** Operating radius is horizontal distance from axis of rotation to center of vertical hoist line or load block.



**BOOM ANGLE:** Boom angle in degrees ( $^{\circ}$ ) is angle between horizontal and centerline of boom butt and inserts, and is an indication of operating radius. In all cases, operating radius shall govern capacity.



**JIB POINT ELEVATION:** Jib point elevation is vertical distance from ground level to centerline of jib point shaft.

**MACHINE EQUIPMENT:** Machine equipped with 31 ft 10 in. crawlers, 48 in. or 60 in. treads, 30 ft live mast, 24 part boom hoist reeving, boom support straps, and 474,400 lb VPC.

Luffing Jib Backstay Deduct	
Boom Length (ft)	Deduct (lb)
137.8	4,100
157.5	4,600
177.2	5,200
196.9	5,800
216.5	6,400
236.2	6,900
255.9	7,500

Deduct the appropriate value from capacities when luffing jib backstays are stored on boom.

Refer to Table 1 (with luffing jib backstays stored) and Table 2 (without luffing jib backstays stored) for raising ability with the maximum weight of all load blocks, hooks, weight ball, slings, and hoist lines beneath boom and jib point sheaves. For block weights shown with #, load blocks, hooks, weight ball, and slings must remain on ground until combined weights are within rated capacity of chart. Raising is not permitted in shaded areas of table.

Combined weight beneath boom and jib point sheaves must not exceed block weight shown. Total weight beneath jib point must not exceed 6,200 lb.

**Table 1: With Luffing Jib Backstays**

Over End or Side of Crawlers						
Boom Length (ft)	Jib No. 148					
	39.4 ft	59.1 ft	78.7 ft	98.4 ft	118.1 ft	137.8 ft
Block Weight (lb)						
137.8	22,900	22,900	22,900	22,900	22,900	22,900
157.5	22,900	22,900	22,900	22,900	22,900	22,900
177.2	22,900	22,900	22,900	22,900	22,900	15,800
196.9	22,900	22,900	15,800	15,800	15,800	8,300
216.5	15,800	8,300	8,300	8,300	#	#
236.2	8,300	#	#	#	#	#
255.9	Raising Not Permitted					

**Table 2: Without Luffing Jib Backstays**

Over End or Side of Crawlers						
Boom Length (ft)	Jib No. 148					
	39.4 ft	59.1 ft	78.7 ft	98.4 ft	118.1 ft	137.8 ft
Block Weight (lb)						
137.8	22,900	22,900	22,900	22,900	22,900	22,900
157.5	22,900	22,900	22,900	22,900	22,900	22,900
177.2	22,900	22,900	22,900	22,900	22,900	22,900
196.9	22,900	22,900	22,900	15,800	15,800	8,300
216.5	15,800	15,800	15,800	8,300	8,300	#
236.2	8,300	8,300	8,300	#	#	#
255.9	#	#	#	#	#	

## Explanation of Symbols



Jib No. 148  
+  
Boom No. B15:505-500



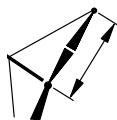
VPC (Variable Position Counterweight)



360 Degree Rating



Boom Length



Jib Length



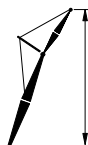
Jib Offset Angle



Operating Radius  
(see page 1)



Boom Angle  
(see page 1)



Jib Point Elevation  
(see page 1)

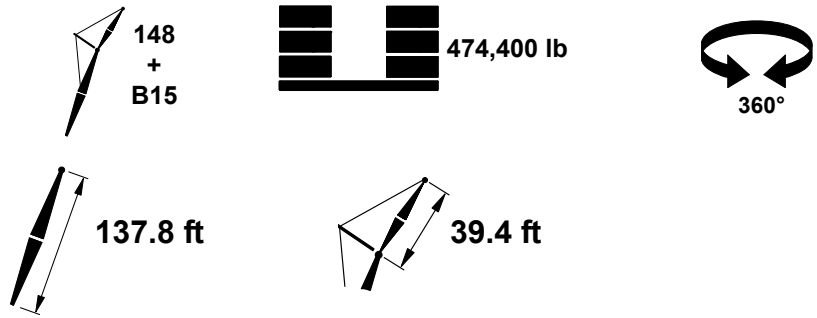


Lifting Capacities  
(see page 1)

REFERENCE ONLY!

# MLC300 S-3

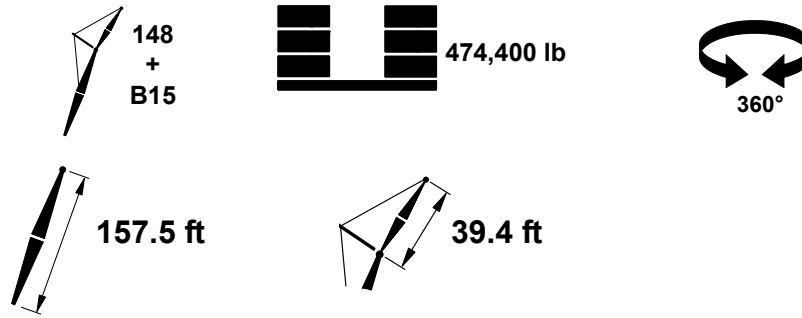
ASME B30.5



ft	10°			20°			ft
	ft	lb	ft	ft	lb	ft	
30	84.9	183.4	143,300				30
32	84.2	183.1	143,300				32
34	83.6	182.8	143,300				34
36	82.9	182.4	143,300	84.9	180.9	143,300	36
38	82.3	182.1	143,300	84.3	180.6	143,300	38
40	81.6	181.7	143,300	83.6	180.2	142,100	40
45	80.0	180.6	143,300	81.9	179.1	134,600	45
50	78.3	179.4	143,300	80.3	177.9	127,900	50
55	76.6	178.0	143,300	78.6	176.5	121,900	55
60	75.0	176.5	143,300	76.9	174.9	116,400	60
65	73.3	174.7	143,300	75.2	173.2	111,500	65
70	71.5	172.9	139,500	73.4	171.3	106,900	70
75	69.8	170.8	132,500	71.7	169.2	102,800	75
80	68.0	168.6	126,300	69.9	167.0	99,000	80
85	66.3	166.2	120,600	68.1	164.5	95,500	85
90	64.4	163.6	115,400	66.2	161.9	92,300	90
95	62.6	160.7	110,700	64.4	159.0	89,300	95
100	60.7	157.7	106,300	62.5	155.9	86,600	100
105	58.8	154.4	101,200	60.5	152.6	84,000	105
110	56.8	150.9	95,600	58.5	149.1	81,600	110
115	54.8	147.1	90,600	56.5	145.2	79,400	115
120	52.7	143.0	86,100	54.4	141.1	77,400	120
125	50.6	138.6	81,900	52.2	136.6	75,500	125
130	48.4	133.9	78,100	49.9	131.8	73,700	130
135	46.1	128.8	74,600	47.6	126.6	72,100	135
140	43.6	123.2	71,400	45.1	120.9	70,500	140
145	41.1	117.1	68,400	42.6	114.7	68,500	145
150	38.4	110.4	65,600	39.8	107.8	65,700	150
155	35.5	103.0	63,000	36.8	100.2	63,100	155
160	32.4	94.7	60,500	33.6	91.6	60,600	160
165	29.0	85.2	58,300	30.0	81.7	58,300	165
170	25.0	74.0	56,100				170
175	20.2	60.0	54,100				175

# MLC300 S-3

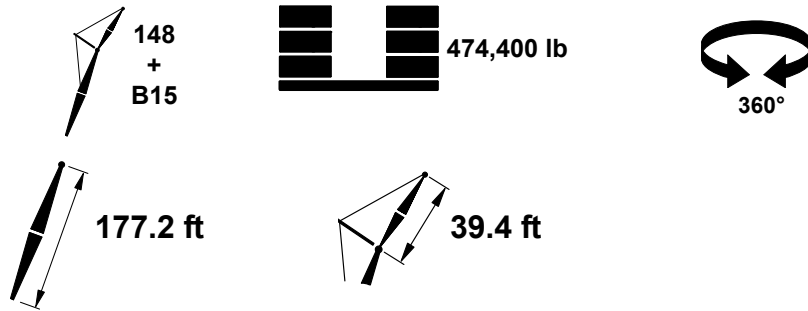
ASME B30.5



	10°			20°			
	ft	°	ft	lb	ft	lb	
32	84.8	203.0	143,300				32
34	84.2	202.7	143,300				34
36	83.6	202.4	143,300				36
38	83.1	202.1	143,300	84.8	200.5	143,100	38
40	82.5	201.7	143,300	84.2	200.2	142,900	40
45	81.0	200.7	143,300	82.8	199.2	137,900	45
50	79.5	199.6	143,300	81.3	198.1	131,500	50
55	78.0	198.4	143,300	79.8	196.8	125,800	55
60	76.5	197.0	143,300	78.2	195.4	120,500	60
65	75.0	195.5	143,300	76.7	193.9	115,800	65
70	73.5	193.8	143,300	75.2	192.2	111,300	70
75	71.9	192.0	140,900	73.6	190.4	107,300	75
80	70.4	190.0	134,500	72.0	188.4	103,500	80
85	68.8	187.9	128,700	70.5	186.2	100,100	85
90	67.2	185.6	122,200	68.8	183.9	96,900	90
95	65.6	183.2	114,500	67.2	181.4	93,900	95
100	63.9	180.5	107,700	65.6	178.8	91,200	100
105	62.3	177.7	101,500	63.9	175.9	88,500	105
110	60.6	174.6	96,000	62.2	172.8	86,100	110
115	58.9	171.4	91,000	60.4	169.6	83,900	115
120	57.1	167.9	86,500	58.6	166.1	81,800	120
125	55.3	164.2	82,300	56.8	162.3	79,800	125
130	53.4	160.3	78,500	54.9	158.3	77,900	130
135	51.5	156.1	75,000	53.0	154.0	75,200	135
140	49.6	151.6	71,700	51.0	149.5	71,900	140
145	47.6	146.7	68,700	49.0	144.5	68,900	145
150	45.5	141.5	65,900	46.9	139.2	66,100	150
155	43.3	135.9	63,300	44.6	133.5	63,400	155
160	41.0	129.8	60,900	42.3	127.4	61,000	160
165	38.6	123.2	58,600	39.9	120.6	58,700	165
170	36.1	116.0	56,400	37.3	113.2	56,500	170
175	33.4	108.0	54,400	34.4	105.0	54,500	175
180	30.4	99.1	52,600	31.4	95.8	52,600	180
185	27.1	88.9	50,800	27.9	85.1	50,800	185
190	23.3	76.8	48,300				190
195	18.7	61.7	45,300				195

# MLC300 S-3

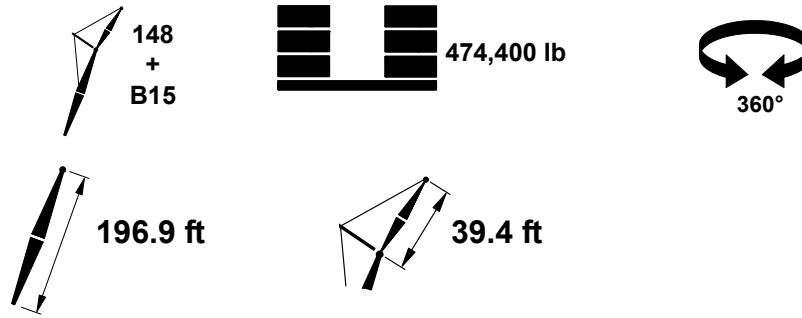
ASME B30.5



	10°			20°			
	ft	°	ft	lb	ft	lb	
34	84.8	222.5	143,300				34
36	84.2	222.3	143,300				36
38	83.7	222.0	143,300				38
40	83.2	221.7	143,300	84.8	220.1	141,900	40
45	81.8	220.8	143,300	83.4	219.2	140,600	45
50	80.5	219.8	143,300	82.1	218.2	134,600	50
55	79.1	218.7	143,300	80.7	217.1	129,100	55
60	77.8	217.4	143,300	79.3	215.8	124,100	60
65	76.4	216.0	143,300	78.0	214.4	119,400	65
70	75.0	214.5	143,300	76.6	212.9	115,200	70
75	73.6	212.9	143,000	75.2	211.3	111,300	75
80	72.2	211.1	141,200	73.8	209.5	107,600	80
85	70.8	209.2	131,300	72.3	207.6	104,200	85
90	69.4	207.2	122,600	70.9	205.5	101,000	90
95	68.0	205.0	114,900	69.5	203.3	98,000	95
100	66.5	202.6	108,000	68.0	200.9	95,300	100
105	65.0	200.1	101,900	66.5	198.4	92,600	105
110	63.5	197.4	96,400	65.0	195.7	90,300	110
115	62.0	194.6	91,400	63.5	192.8	87,900	115
120	60.5	191.6	86,800	61.9	189.7	85,800	120
125	58.9	188.4	82,600	60.3	186.5	82,900	125
130	57.3	185.0	78,800	58.7	183.0	79,100	130
135	55.7	181.3	75,300	57.1	179.4	75,500	135
140	54.0	177.5	72,000	55.4	175.5	72,300	140
145	52.3	173.4	69,000	53.7	171.3	69,200	145
150	50.6	169.1	66,200	51.9	166.9	66,400	150
155	48.8	164.4	63,600	50.1	162.3	63,800	155
160	46.9	159.5	61,200	48.2	157.3	61,300	160
165	45.0	154.2	58,900	46.3	151.9	59,000	165
170	43.0	148.6	56,700	44.2	146.2	56,900	170
175	41.0	142.6	54,700	42.1	140.0	54,800	175
180	38.8	136.0	52,500	39.9	133.4	52,900	180
185	36.5	129.0	49,600	37.6	126.2	50,200	185
190	34.1	121.2	46,900	35.1	118.2	47,400	190
195	31.5	112.7	44,300	32.4	109.4	44,700	195
200	28.6	103.1	41,800	29.5	99.5	42,100	200
205	25.5	92.2	39,300				205
210	21.8	79.4	36,800				210
215	17.4	63.2	34,300				215

# MLC300 S-3

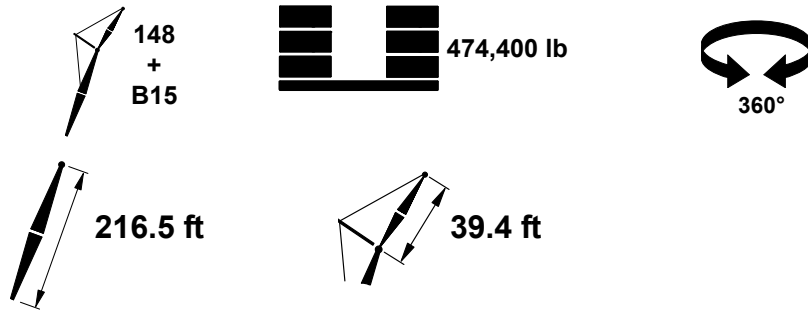
ASME B30.5



	10°			20°			
	ft	°	ft	lb	ft	lb	
36	84.7	242.1	143,300				36
38	84.2	241.9	143,300				38
40	83.7	241.6	143,300				40
45	82.5	240.8	143,300	84.0	239.1	140,100	45
50	81.3	239.9	143,300	82.7	238.2	137,200	50
55	80.0	238.8	143,300	81.5	237.2	131,900	55
60	78.8	237.7	143,300	80.3	236.1	127,100	60
65	77.6	236.4	143,300	79.0	234.8	122,700	65
70	76.3	235.1	142,800	77.7	233.4	118,600	70
75	75.0	233.6	142,200	76.5	231.9	114,800	75
80	73.8	232.0	141,400	75.2	230.3	111,200	80
85	72.5	230.3	131,500	73.9	228.6	107,800	85
90	71.2	228.4	122,800	72.6	226.7	104,700	90
95	69.9	226.4	115,200	71.3	224.7	101,800	95
100	68.6	224.3	108,300	70.0	222.5	99,000	100
105	67.3	222.0	102,200	68.6	220.3	96,400	105
110	65.9	219.6	96,700	67.3	217.9	94,000	110
115	64.6	217.1	91,600	65.9	215.3	91,700	115
120	63.2	214.4	87,100	64.5	212.6	87,400	120
125	61.8	211.5	82,900	63.1	209.7	83,200	125
130	60.4	208.5	79,100	61.7	206.6	79,400	130
135	59.0	205.3	75,600	60.2	203.4	75,800	135
140	57.5	202.0	72,300	58.8	200.0	72,500	140
145	56.0	198.4	69,300	57.3	196.4	69,500	145
150	54.5	194.6	66,500	55.7	192.6	66,700	150
155	53.0	190.7	63,800	54.2	188.6	64,000	155
160	51.4	186.5	61,400	52.6	184.3	61,600	160
165	49.8	182.0	59,100	51.0	179.8	59,300	165
170	48.1	177.3	56,100	49.3	175.1	56,900	170
175	46.4	172.3	53,000	47.5	170.0	53,800	175
180	44.6	167.0	50,200	45.7	164.6	50,900	180
185	42.8	161.3	47,400	43.9	158.9	48,100	185
190	40.9	155.3	44,800	42.0	152.7	45,500	190
195	38.9	148.8	42,300	40.0	146.2	42,900	195
200	36.9	141.9	40,000	37.8	139.0	40,500	200
205	34.7	134.3	37,700	35.6	131.3	38,100	205
210	32.4	126.1	35,400	33.2	122.9	35,800	210
215	29.8	117.0	33,300	30.6	113.6	33,600	215
220	27.1	106.9	31,200	27.8	103.1	31,400	220
225	24.1	95.3	29,100				225
230	20.5	81.7	27,000				230

# MLC300 S-3

ASME B30.5

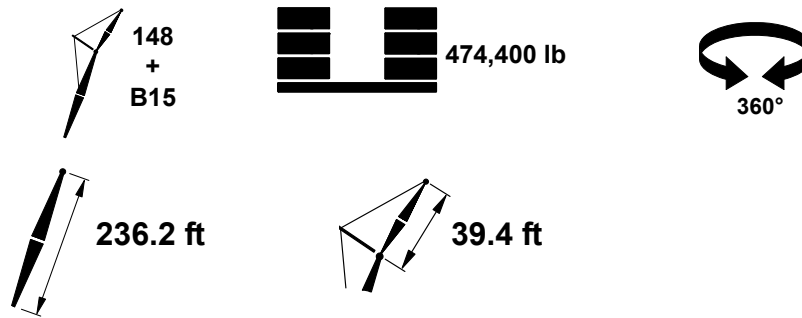


	10°			20°			
	ft	°	ft	lb	ft	lb	
38	84.7	261.7	143,300				38
40	84.2	261.4	143,300				40
45	83.1	260.7	143,300	84.5	259.1	138,700	45
50	82.0	259.9	143,300	83.3	258.2	137,800	50
55	80.8	258.9	143,300	82.2	257.3	134,300	55
60	79.7	257.9	143,000	81.0	256.2	129,700	60
65	78.5	256.7	142,400	79.9	255.1	125,500	65
70	77.4	255.5	141,800	78.7	253.8	121,500	70
75	76.2	254.1	141,200	77.5	252.4	117,800	75
80	75.1	252.6	140,600	76.4	250.9	114,400	80
85	73.9	251.0	131,800	75.2	249.3	111,000	85
90	72.7	249.4	123,100	74.0	247.6	108,000	90
95	71.5	247.5	115,400	72.8	245.8	105,100	95
100	70.3	245.6	108,600	71.6	243.9	102,400	100
105	69.1	243.6	102,400	70.4	241.8	99,900	105
110	67.9	241.4	96,900	69.2	239.6	97,300	110
115	66.7	239.1	91,900	67.9	237.3	92,300	115
120	65.4	236.6	87,300	66.7	234.8	87,700	120
125	64.2	234.1	83,200	65.4	232.2	83,500	125
130	62.9	231.3	79,300	64.1	229.5	79,600	130
135	61.6	228.5	75,800	62.8	226.6	76,100	135
140	60.3	225.5	72,500	61.5	223.6	72,800	140
145	59.0	222.3	69,500	60.2	220.4	69,700	145
150	57.7	219.0	66,700	58.8	217.0	66,900	150
155	56.3	215.4	63,500	57.5	213.4	64,300	155
160	54.9	211.8	59,900	56.1	209.7	61,000	160
165	53.5	207.9	56,600	54.6	205.8	57,600	165
170	52.1	203.8	53,400	53.2	201.7	54,400	170
175	50.6	199.5	50,400	51.7	197.3	51,400	175
180	49.1	194.9	47,600	50.2	192.7	48,500	180
185	47.5	190.1	44,900	48.6	187.9	45,800	185
190	45.9	185.1	42,400	47.0	182.7	43,200	190
195	44.3	179.7	40,000	45.3	177.3	40,700	195
200	42.6	174.1	37,600	43.6	171.6	38,300	200
205	40.9	168.0	35,400	41.8	165.4	36,000	205
210	39.1	161.6	33,300	40.0	158.9	33,900	210
215	37.2	154.8	31,200	38.1	151.9	31,700	215
220	35.2	147.4	29,300	36.0	144.4	29,700	220
225	33.1	139.4	27,300	33.9	136.2	27,700	225
230	30.8	130.7	25,500	31.6	127.3	25,800	230
235	28.4	121.1	23,700	29.1	117.4	24,000	235
240	25.8	110.4	21,900	26.4	106.3	22,100	240
245	22.8	98.2	20,100				245
250	19.4	83.7	18,300				250



# MLC300 S-3

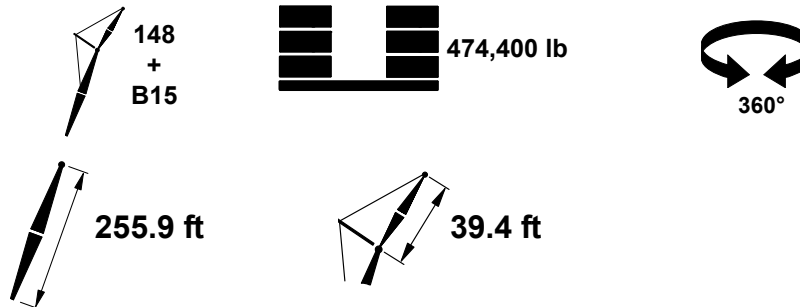
ASME B30.5



	10°			20°			
	ft	°	ft	lb	ft	lb	
40	84.6	281.3	143,300				40
45	83.6	280.6	143,300	84.9	278.9	134,300	45
50	82.5	279.8	142,700	83.8	278.2	133,200	50
55	81.5	278.9	142,000	82.7	277.3	132,100	55
60	80.4	278.0	141,400	81.7	276.3	131,100	60
65	79.4	276.9	140,700	80.6	275.2	127,900	65
70	78.3	275.8	140,200	79.5	274.1	124,100	70
75	77.2	274.5	139,600	78.5	272.8	120,600	75
80	76.2	273.1	139,100	77.4	271.4	117,100	80
85	75.1	271.7	132,000	76.3	270.0	114,000	85
90	74.0	270.1	123,300	75.2	268.4	111,000	90
95	72.9	268.4	115,600	74.1	266.7	108,200	95
100	71.8	266.7	108,800	73.0	264.9	105,500	100
105	70.7	264.8	102,700	71.9	263.0	103,000	105
110	69.6	262.8	97,100	70.8	261.0	97,600	110
115	68.5	260.7	92,100	69.6	258.9	92,500	115
120	67.3	258.4	87,600	68.5	256.6	87,900	120
125	66.2	256.1	83,400	67.3	254.3	83,700	125
130	65.0	253.6	79,500	66.2	251.8	79,900	130
135	63.8	251.0	76,000	65.0	249.2	76,300	135
140	62.7	248.3	72,700	63.8	246.4	73,000	140
145	61.5	245.4	68,500	62.6	243.5	69,900	145
150	60.3	242.4	64,500	61.4	240.5	65,800	150
155	59.0	239.3	60,700	60.1	237.3	62,000	155
160	57.8	235.9	57,200	58.9	234.0	58,400	160
165	56.5	232.5	53,900	57.6	230.5	55,000	165
170	55.2	228.8	50,700	56.3	226.8	51,800	170
175	53.9	225.0	47,800	55.0	222.9	48,800	175
180	52.6	221.0	45,000	53.7	218.9	46,000	180
185	51.3	216.8	42,300	52.3	214.7	43,300	185
190	49.9	212.5	39,800	50.9	210.2	40,700	190
195	48.5	207.8	37,400	49.5	205.6	38,300	195
200	47.0	203.0	35,200	48.0	200.7	35,900	200
205	45.5	197.9	33,000	46.5	195.5	33,700	205
210	44.0	192.5	30,900	45.0	190.0	31,600	210
215	42.5	186.8	28,900	43.4	184.3	29,500	215
220	40.8	180.8	27,000	41.7	178.2	27,600	220
225	39.2	174.4	25,100	40.0	171.7	25,700	225
230	37.4	167.6	23,300	38.2	164.8	23,800	230
235	35.6	160.4	21,600	36.4	157.4	22,100	235
240	33.7	152.6	19,900	34.4	149.4	20,400	240
245	31.6	144.2	18,300	32.3	140.8	18,700	245
250	29.5	135.0	16,700	30.1	131.4	17,000	250
255	27.1	124.9	15,200	27.7	121.0	15,400	255
260	24.6	113.7	13,600				260
270	18.4	85.6	10,600				270

# MLC300 S-3

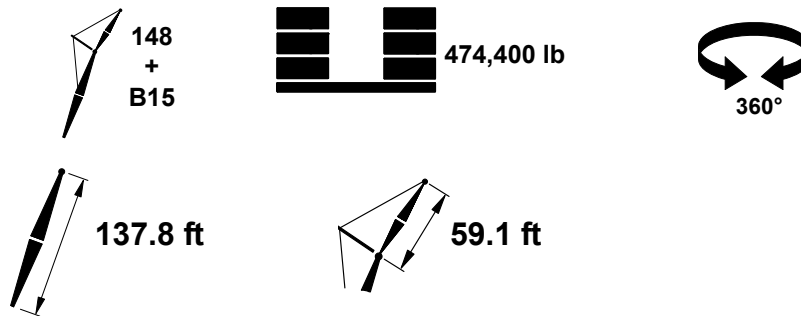
ASME B30.5



	10°			20°			
	ft	°	ft	lb	ft	lb	
40	85.0	301.1	141,200				40
45	84.0	300.5	140,500				45
50	83.0	299.7	139,700	84.2	298.1	127,300	50
55	82.1	298.9	139,000	83.2	297.2	125,400	55
60	81.1	298.0	138,400	82.2	296.3	121,800	60
65	80.1	297.0	136,000	81.3	295.3	118,300	65
70	79.1	296.0	131,700	80.3	294.3	115,100	70
75	78.1	294.8	127,600	79.3	293.1	112,000	75
80	77.1	293.5	123,600	78.3	291.8	109,100	80
85	76.1	292.2	120,100	77.2	290.4	106,400	85
90	75.1	290.7	116,600	76.2	289.0	103,800	90
95	74.1	289.2	113,300	75.2	287.4	101,300	95
100	73.1	287.5	108,100	74.2	285.8	99,000	100
105	72.0	285.8	102,000	73.2	284.0	96,700	105
110	71.0	283.9	96,500	72.1	282.2	94,600	110
115	70.0	282.0	91,500	71.1	280.2	91,900	115
120	68.9	279.9	86,900	70.0	278.1	87,300	120
125	67.9	277.8	82,800	69.0	276.0	83,100	125
130	66.8	275.5	78,900	67.9	273.7	79,300	130
135	65.7	273.1	74,900	66.8	271.3	75,700	135
140	64.7	270.6	70,300	65.7	268.7	71,900	140
145	63.6	268.0	66,000	64.6	266.1	67,600	145
150	62.5	265.2	62,000	63.5	263.3	63,500	150
155	61.3	262.4	58,200	62.4	260.4	59,700	155
160	60.2	259.4	54,700	61.2	257.4	56,100	160
165	59.1	256.2	51,400	60.1	254.2	52,700	165
170	57.9	252.9	48,300	58.9	250.9	49,500	170
175	56.7	249.5	45,400	57.7	247.5	46,500	175
180	55.5	245.9	42,600	56.5	243.9	43,700	180
185	54.3	242.2	40,000	55.3	240.1	41,000	185
190	53.1	238.3	37,500	54.1	236.1	38,500	190
195	51.9	234.2	35,100	52.8	232.0	36,100	195
200	50.6	229.9	32,900	51.5	227.7	33,800	200
205	49.3	225.4	30,700	50.2	223.1	31,600	205
210	48.0	220.7	28,700	48.9	218.4	29,500	210
215	46.6	215.8	26,700	47.5	213.4	27,500	215
220	45.2	210.6	24,800	46.1	208.2	25,500	220
225	43.8	205.2	23,000	44.7	202.7	23,700	225
230	42.3	199.5	21,300	43.2	197.0	21,900	230
235	40.8	193.5	19,600	41.6	190.9	20,200	235
240	39.2	187.2	18,000	40.0	184.4	18,500	240
245	37.6	180.5	16,400	38.4	177.6	16,900	245
250	35.9	173.3	14,900	36.7	170.3	15,400	250
255	34.2	165.7	13,400	34.9	162.6	13,800	255
260	32.3	157.5	12,000	33.0	154.2	12,400	260
270	28.3	139.1	9,200	28.8	135.3	9,500	270
280	23.5	116.7	6,600				280

# MLC300 S-3

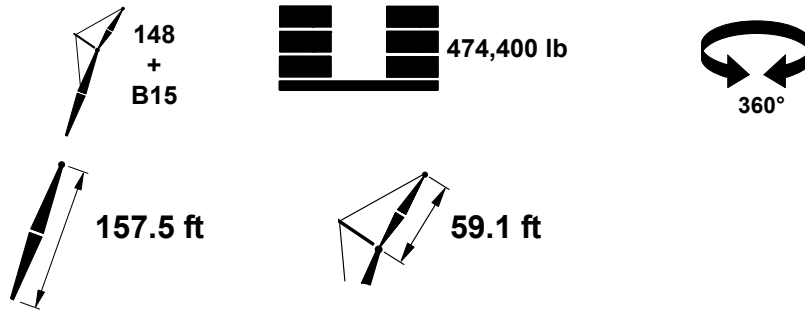
ASME B30.5



	10°			20°			
	ft	°	ft	lb	ft	lb	
38	84.6	201.7	115,000				38
40	84.0	201.3	113,800				40
45	82.5	200.3	110,600				45
50	81.0	199.2	107,700	83.7	197.1	88,800	50
55	79.5	198.0	104,900	82.2	195.8	84,700	55
60	78.0	196.6	102,300	80.6	194.4	80,900	60
65	76.5	195.1	99,700	79.1	192.9	77,400	65
70	75.0	193.4	97,400	77.5	191.2	74,200	70
75	73.4	191.6	95,200	76.0	189.3	71,400	75
80	71.9	189.6	91,300	74.4	187.3	68,700	80
85	70.3	187.5	87,100	72.8	185.2	66,200	85
90	68.7	185.2	83,500	71.2	182.8	64,000	90
95	67.1	182.7	80,000	69.5	180.3	61,800	95
100	65.4	180.1	76,900	67.9	177.6	59,900	100
105	63.7	177.2	74,000	66.2	174.7	58,000	105
110	62.0	174.2	71,300	64.4	171.7	56,300	110
115	60.3	170.9	68,800	62.7	168.4	54,700	115
120	58.5	167.5	66,500	60.9	164.8	53,200	120
125	56.7	163.8	64,300	59.1	161.1	51,800	125
130	54.9	159.8	62,300	57.2	157.0	50,500	130
135	53.0	155.6	60,400	55.2	152.7	49,300	135
140	51.0	151.0	58,700	53.2	148.1	48,100	140
145	49.0	146.2	57,000	51.2	143.1	47,000	145
150	46.9	140.9	55,500	49.0	137.8	46,000	150
155	44.7	135.3	54,000	46.8	132.0	45,100	155
160	42.4	129.2	52,600	44.4	125.7	44,200	160
165	40.0	122.6	51,300	41.9	118.9	43,400	165
170	37.4	115.3	50,200	39.3	111.4	42,700	170
175	34.7	107.3	49,000	36.4	103.0	42,000	175
180	31.7	98.3	48,000	33.3	93.5	41,400	180
185	28.4	87.9	47,100	29.7	82.6	41,000	185
190	24.5	75.7	46,200				190
195	19.8	60.3	45,500				195

# MLC300 S-3

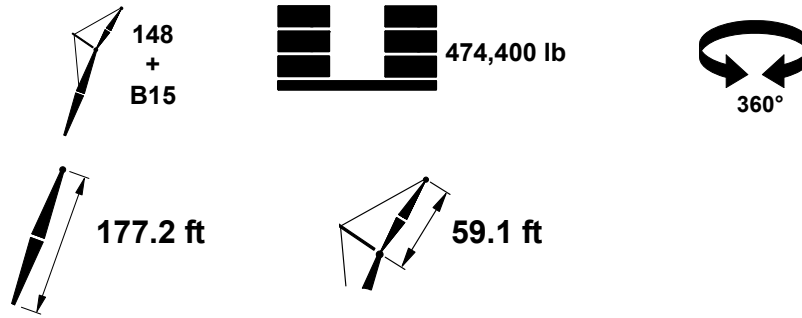
ASME B30.5



	10°			20°			
	ft	°	ft	lb	ft	lb	
40	84.5	221.2	114,000				40
45	83.2	220.4	111,200				45
50	81.8	219.4	108,600	84.3	217.1	90,300	50
55	80.5	218.2	106,000	82.9	216.0	86,400	55
60	79.1	217.0	103,600	81.5	214.7	82,800	60
65	77.8	215.6	101,300	80.1	213.3	79,500	65
70	76.4	214.1	99,100	78.7	211.8	76,500	70
75	75.0	212.5	97,100	77.3	210.1	73,700	75
80	73.6	210.7	95,100	75.9	208.3	71,100	80
85	72.2	208.8	92,000	74.5	206.4	68,800	85
90	70.7	206.7	88,200	73.0	204.3	66,500	90
95	69.3	204.5	84,700	71.6	202.1	64,400	95
100	67.8	202.2	81,600	70.1	199.7	62,500	100
105	66.4	199.7	78,600	68.6	197.2	60,700	105
110	64.9	197.0	75,900	67.1	194.4	59,000	110
115	63.3	194.1	73,300	65.5	191.5	57,300	115
120	61.8	191.1	70,900	64.0	188.5	55,800	120
125	60.2	187.9	68,700	62.4	185.2	54,400	125
130	58.6	184.4	66,600	60.8	181.7	53,100	130
135	57.0	180.8	64,600	59.1	178.0	51,800	135
140	55.3	177.0	62,800	57.4	174.1	50,600	140
145	53.6	172.9	61,000	55.7	169.9	49,500	145
150	51.9	168.5	59,400	53.9	165.5	48,500	150
155	50.1	163.9	57,900	52.0	160.8	47,500	155
160	48.2	158.9	56,400	50.1	155.7	46,500	160
165	46.3	153.6	55,000	48.2	150.3	45,600	165
170	44.3	148.0	53,800	46.1	144.5	44,800	170
175	42.2	141.9	52,500	44.0	138.3	44,100	175
180	40.0	135.3	51,400	41.8	131.6	43,400	180
185	37.7	128.2	50,300	39.4	124.2	42,700	185
190	35.3	120.4	48,900	36.9	116.1	42,200	190
195	32.7	111.8	47,300	34.1	107.2	41,600	195
200	29.8	102.2	45,800	31.1	97.0	41,100	200
205	26.6	91.2	44,400				205
210	22.9	78.1	42,000				210

# MLC300 S-3

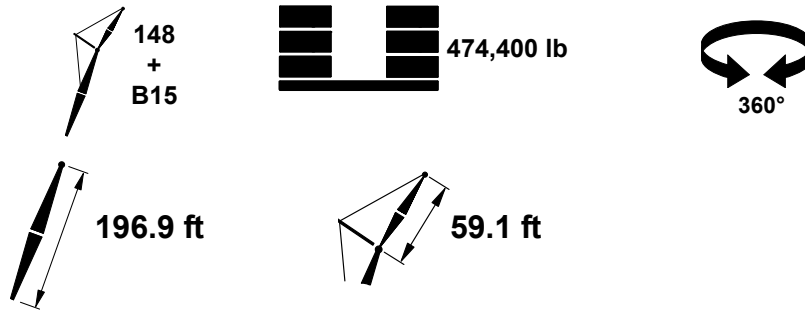
ASME B30.5



	10°			20°			
	ft	°	ft	lb	ft	lb	
40	85.0	241.1	113,400				40
45	83.8	240.3	111,400				45
50	82.5	239.4	109,000	84.8	237.1	91,500	50
55	81.3	238.4	106,700	83.5	236.0	87,900	55
60	80.1	237.2	104,500	82.2	234.9	84,500	60
65	78.8	236.0	102,400	81.0	233.6	81,400	65
70	77.6	234.6	100,400	79.7	232.2	78,500	70
75	76.3	233.1	98,500	78.4	230.7	75,800	75
80	75.0	231.5	96,600	77.2	229.1	73,300	80
85	73.7	229.8	94,800	75.9	227.4	70,900	85
90	72.4	227.9	92,500	74.6	225.5	68,700	90
95	71.1	225.9	89,100	73.2	223.5	66,700	95
100	69.8	223.8	85,800	71.9	221.3	64,800	100
105	68.5	221.6	82,800	70.6	219.0	63,000	105
110	67.2	219.1	80,100	69.2	216.6	61,300	110
115	65.8	216.6	77,500	67.8	214.0	59,700	115
120	64.4	213.9	75,000	66.4	211.3	58,200	120
125	63.0	211.0	72,700	65.0	208.4	56,800	125
130	61.6	208.0	70,600	63.6	205.3	55,400	130
135	60.2	204.8	68,500	62.1	202.1	54,200	135
140	58.7	201.4	66,600	60.6	198.6	53,000	140
145	57.2	197.9	64,800	59.1	195.0	51,900	145
150	55.7	194.1	63,100	57.6	191.2	50,800	150
155	54.2	190.1	61,600	56.0	187.1	49,700	155
160	52.6	185.9	60,000	54.4	182.8	48,700	160
165	50.9	181.4	58,600	52.8	178.3	47,900	165
170	49.3	176.7	56,500	51.1	173.5	47,000	170
175	47.6	171.7	54,500	49.3	168.4	46,100	175
180	45.8	166.3	52,600	47.5	162.9	45,400	180
185	44.0	160.7	50,800	45.6	157.1	44,700	185
190	42.1	154.6	49,100	43.7	150.9	44,000	190
195	40.1	148.1	47,500	41.6	144.2	43,300	195
200	38.0	141.1	45,100	39.5	137.0	42,800	200
205	35.8	133.5	42,800	37.2	129.2	42,200	205
210	33.4	125.2	40,500	34.8	120.6	41,100	210
215	30.9	116.1	38,300	32.1	111.0	38,800	215
220	28.2	105.9	36,200	29.2	100.3	36,600	220
225	25.1	94.2	34,100				225
230	21.5	80.3	31,900				230

# MLC300 S-3

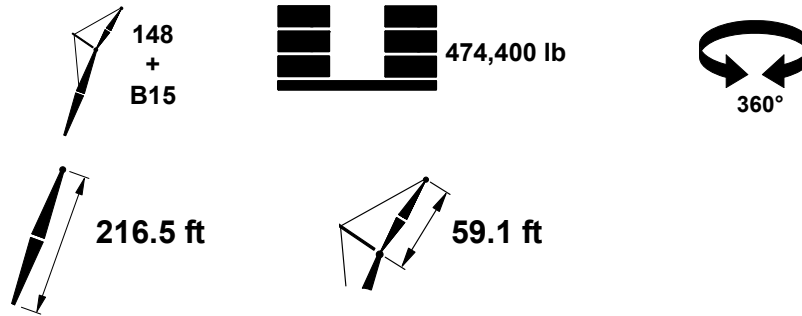
ASME B30.5



	10°			20°			
	ft	°	ft	lb	ft	lb	
45	84.2	260.2	111,100				45
50	83.1	259.4	109,000				50
55	82.0	258.5	106,900	84.0	256.1	89,100	55
60	80.8	257.4	105,000	82.9	255.0	85,900	60
65	79.7	256.3	103,000	81.7	253.8	82,900	65
70	78.5	255.0	101,200	80.5	252.6	80,200	70
75	77.4	253.6	99,400	79.4	251.2	77,600	75
80	76.2	252.2	97,700	78.2	249.7	75,200	80
85	75.0	250.6	96,000	77.0	248.1	72,900	85
90	73.9	248.9	94,500	75.8	246.4	70,800	90
95	72.7	247.1	92,900	74.6	244.5	68,800	95
100	71.5	245.1	89,800	73.4	242.6	66,900	100
105	70.3	243.1	86,800	72.2	240.5	65,100	105
110	69.0	240.9	84,000	70.9	238.3	63,500	110
115	67.8	238.6	81,300	69.7	236.0	61,900	115
120	66.6	236.1	78,900	68.4	233.5	60,400	120
125	65.3	233.5	76,600	67.2	230.9	59,000	125
130	64.0	230.8	74,300	65.9	228.1	57,700	130
135	62.7	228.0	72,300	64.6	225.2	56,400	135
140	61.4	224.9	70,300	63.3	222.2	55,200	140
145	60.1	221.7	68,500	61.9	218.9	54,000	145
150	58.8	218.4	66,200	60.5	215.6	52,900	150
155	57.4	214.9	63,600	59.2	212.0	51,900	155
160	56.0	211.2	61,200	57.7	208.2	50,900	160
165	54.6	207.3	58,900	56.3	204.3	50,000	165
170	53.1	203.2	56,700	54.8	200.1	49,100	170
175	51.7	198.9	54,700	53.3	195.7	48,200	175
180	50.2	194.3	52,800	51.8	191.1	47,400	180
185	48.6	189.5	50,300	50.2	186.2	46,600	185
190	47.0	184.4	47,700	48.6	181.0	45,900	190
195	45.4	179.1	45,200	46.9	175.5	45,200	195
200	43.7	173.4	42,900	45.2	169.7	43,800	200
205	41.9	167.3	40,600	43.4	163.5	41,500	205
210	40.1	160.9	38,400	41.5	156.9	39,200	210
215	38.2	154.0	36,400	39.6	149.8	37,100	215
220	36.2	146.5	34,400	37.5	142.2	35,000	220
225	34.1	138.5	32,400	35.3	133.9	33,000	225
230	31.8	129.7	30,500	33.0	124.8	31,000	230
235	29.4	120.1	28,700	30.4	114.7	29,100	235
240	26.7	109.3	26,800				240
245	23.7	96.9	25,000				245
250	20.3	82.2	23,200				250

# MLC300 S-3

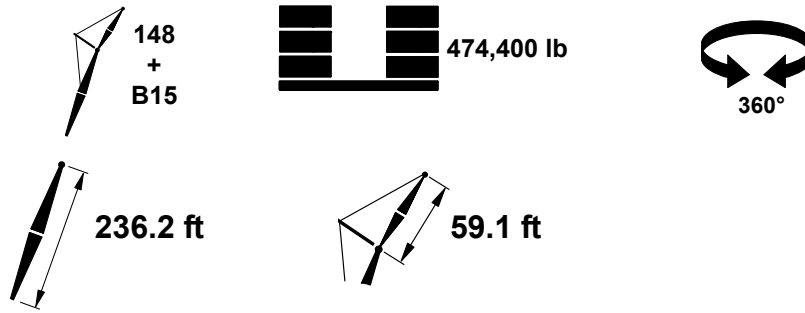
ASME B30.5



ft	10°			20°			ft
	°	ft	lb	°	ft	lb	
45	84.7	280.1	110,600				45
50	83.6	279.3	108,700				50
55	82.6	278.5	106,800	84.5	276.0	90,200	55
60	81.5	277.5	105,000	83.4	275.0	87,100	60
65	80.4	276.4	103,200	82.3	274.0	84,200	65
70	79.4	275.3	101,600	81.2	272.8	81,600	70
75	78.3	274.0	100,000	80.2	271.5	79,200	75
80	77.2	272.6	98,300	79.1	270.2	76,800	80
85	76.1	271.2	96,900	78.0	268.7	74,700	85
90	75.1	269.6	95,400	76.9	267.1	72,600	90
95	74.0	267.9	94,000	75.8	265.4	70,700	95
100	72.9	266.2	92,600	74.7	263.6	68,800	100
105	71.7	264.3	90,400	73.5	261.7	67,000	105
110	70.6	262.3	87,600	72.4	259.7	65,400	110
115	69.5	260.2	84,900	71.3	257.5	63,900	115
120	68.4	257.9	82,400	70.1	255.3	62,400	120
125	67.2	255.6	80,100	69.0	252.9	61,000	125
130	66.1	253.1	77,900	67.8	250.4	59,600	130
135	64.9	250.5	75,500	66.6	247.8	58,400	135
140	63.7	247.7	72,300	65.4	245.0	57,200	140
145	62.5	244.9	69,200	64.2	242.1	56,000	145
150	61.3	241.9	66,400	63.0	239.0	54,900	150
155	60.1	238.7	63,800	61.7	235.8	53,900	155
160	58.8	235.4	61,300	60.5	232.5	52,800	160
165	57.6	231.9	59,100	59.2	228.9	51,900	165
170	56.3	228.3	56,200	57.9	225.3	51,000	170
175	55.0	224.4	53,200	56.6	221.4	50,100	175
180	53.6	220.4	50,400	55.2	217.3	49,300	180
185	52.3	216.2	47,700	53.8	213.1	48,500	185
190	50.9	211.8	45,100	52.4	208.6	46,300	190
195	49.5	207.2	42,700	51.0	203.9	43,900	195
200	48.0	202.3	40,400	49.5	198.9	41,500	200
205	46.5	197.2	38,200	48.0	193.7	39,200	205
210	45.0	191.8	36,100	46.4	188.2	37,000	210
215	43.4	186.1	34,000	44.8	182.4	34,900	215
220	41.8	180.0	32,100	43.2	176.2	32,900	220
225	40.1	173.6	30,200	41.4	169.6	31,000	225
230	38.4	166.8	28,400	39.6	162.6	29,100	230
235	36.5	159.5	26,600	37.7	155.1	27,300	235
240	34.6	151.7	24,900	35.8	147.0	25,500	240
245	32.6	143.2	23,300	33.6	138.3	23,800	245
250	30.4	134.0	21,700	31.4	128.7	22,100	250
255	28.0	123.8	20,100	28.9	118.0	20,500	255
260	25.4	112.5	18,500				260
270	19.2	83.9	15,300				270

# MLC300 S-3

ASME B30.5

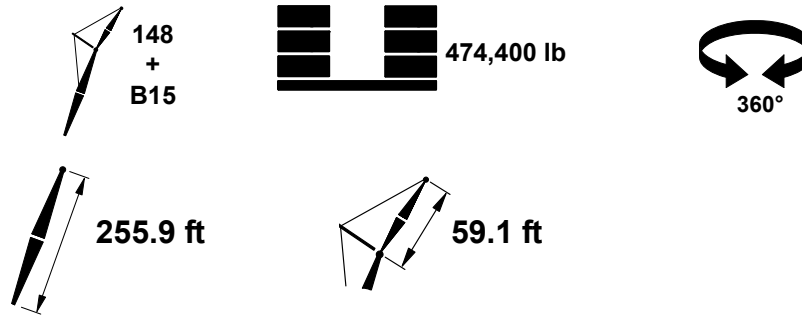


	10°			20°			
	ft	°	ft	lb	ft	lb	
50	84.0	299.2	104,500	84.8	296.0	90,700	50
55	83.1	298.4	102,900	83.8	295.0	89,100	55
60	82.1	297.5	101,300	82.8	294.0	86,300	60
65	81.1	296.5	99,800	81.8	293.0	83,800	65
70	80.1	295.5	98,400	80.8	291.8	81,300	70
75	79.1	294.3	97,000	79.8	290.5	79,000	75
80	78.1	293.0	95,500	78.8	289.1	76,900	80
85	77.1	291.7	94,200	77.8	287.7	74,800	85
90	76.1	290.2	92,900	76.8	286.1	72,900	90
95	75.1	288.7	91,700	75.7	284.4	71,100	95
100	74.1	287.0	90,500	74.7	282.7	69,400	100
105	73.0	285.3	89,300	73.7	280.8	67,700	105
110	72.0	283.4	88,200	72.6	278.8	66,200	110
115	71.0	281.5	87,100	71.6	276.7	64,700	115
120	69.9	279.4	86,100	70.5	274.6	63,300	120
125	68.8	277.2	83,100	69.4	272.3	62,000	125
130	67.8	275.0	79,300	68.3	269.8	60,700	130
135	66.7	272.6	75,700	67.2	267.3	59,500	135
140	65.6	270.1	72,400	66.1	264.7	58,300	140
145	64.5	267.4	69,400	65.0	261.9	57,200	145
150	63.4	264.7	66,600	63.9	259.0	56,100	150
155	62.3	261.8	63,500	62.7	255.9	55,100	155
160	61.2	258.8	60,000	61.6	252.7	54,100	160
165	60.0	255.6	56,600	60.4	249.4	53,200	165
170	58.9	252.3	53,500	59.2	245.9	52,100	170
175	57.7	248.9	50,500	58.0	242.3	49,200	175
180	56.5	245.3	47,700	56.8	238.5	46,500	180
185	55.3	241.6	45,000	55.5	234.5	43,900	185
190	54.0	237.6	42,500	54.2	230.3	41,400	190
195	52.8	233.5	40,100	52.9	226.0	39,100	195
200	51.5	229.2	37,800	51.6	221.4	36,800	200
205	50.2	224.7	35,600	50.3	216.6	34,700	205
210	48.9	220.0	33,600	48.9	211.6	32,600	210
215	47.5	215.1	31,600	47.5	206.4	30,700	215
220	46.1	209.9	29,600	46.0	200.8	28,800	220
225	44.7	204.5	27,800	44.5	195.0	26,900	225
230	43.2	198.8	26,000	43.0	188.8	25,200	230
235	41.7	192.7	24,300	41.4	182.3	23,500	235
240	40.1	186.4	22,700	39.7	175.4	21,800	240
245	38.5	179.6	21,100	37.9	168.0	20,200	245
250	36.8	172.4	19,600	36.1	160.2	18,700	250
255	35.0	164.8	18,100	34.2	151.7	17,100	255
260	33.2	156.6	16,600	30.0	132.4	14,200	260
270	29.1	138.0	13,800				270
280	24.3	115.4	11,000				280



# MLC300 S-3

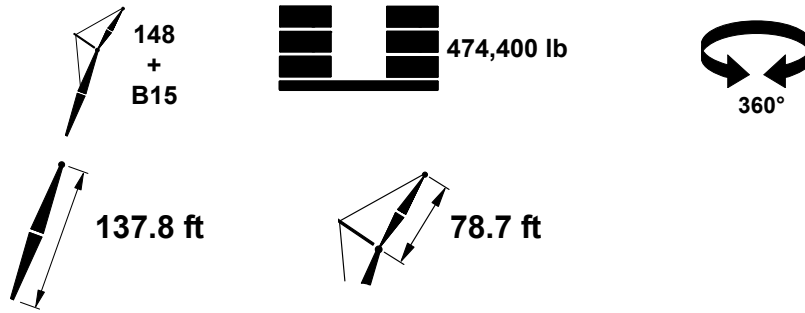
ASME B30.5



	10°			20°				
	ft	°	ft	lb	ft	lb		ft
50	84.4		319.1	102,900			50	
55	83.5		318.4	101,500			55	
60	82.6		317.5	100,000	84.2	315.0	88,800	60
65	81.7		316.6	98,700	83.3	314.1	86,900	65
70	80.7		315.6	97,400	82.4	313.0	84,500	70
75	79.8		314.5	96,200	81.4	311.9	82,100	75
80	78.9		313.3	95,000	80.5	310.7	79,900	80
85	77.9		312.0	93,700	79.5	309.5	77,900	85
90	77.0		310.7	92,600	78.6	308.1	75,900	90
95	76.0		309.2	90,500	77.6	306.6	74,100	95
100	75.1		307.7	88,100	76.7	305.1	72,300	100
105	74.1		306.1	85,800	75.7	303.5	70,600	105
110	73.2		304.4	83,700	74.7	301.7	69,100	110
115	72.2		302.5	81,600	73.8	299.9	67,500	115
120	71.2		300.6	79,700	72.8	298.0	66,100	120
125	70.2		298.6	77,700	71.8	295.9	64,700	125
130	69.3		296.5	76,000	70.8	293.8	63,400	130
135	68.3		294.3	74,300	69.8	291.6	62,100	135
140	67.3		292.0	71,900	68.8	289.2	60,900	140
145	66.3		289.6	68,800	67.8	286.8	59,800	145
150	65.2		287.0	64,900	66.7	284.2	58,700	150
155	64.2		284.4	61,100	65.7	281.6	57,600	155
160	63.2		281.6	57,500	64.7	278.8	56,700	160
165	62.1		278.7	54,200	63.6	275.8	55,600	165
170	61.1		275.7	51,100	62.5	272.8	52,900	170
175	60.0		272.6	48,100	61.4	269.6	49,900	175
180	58.9		269.3	45,300	60.3	266.3	47,000	180
185	57.8		265.9	42,700	59.2	262.9	44,300	185
190	56.7		262.4	40,200	58.1	259.3	41,700	190
195	55.6		258.7	37,800	56.9	255.5	39,200	195
200	54.4		254.8	35,500	55.8	251.6	36,900	200
205	53.2		250.8	33,300	54.6	247.6	34,700	205
210	52.1		246.6	31,300	53.4	243.3	32,500	210
215	50.9		242.2	29,300	52.2	238.9	30,500	215
220	49.6		237.7	27,400	50.9	234.2	28,600	220
225	48.4		232.9	25,600	49.7	229.4	26,700	225
230	47.1		227.9	23,900	48.4	224.3	24,900	230
235	45.8		222.7	22,200	47.0	219.0	23,200	235
240	44.4		217.2	20,600	45.6	213.5	21,500	240
245	43.0		211.5	19,000	44.2	207.6	19,900	245
250	41.6		205.5	17,500	42.8	201.5	18,300	250
255	40.1		199.1	16,100	41.3	195.0	16,800	255
260	38.6		192.4	14,700	39.7	188.2	15,400	260
270	35.4		177.8	12,000	36.4	173.2	12,600	270
280	31.9		161.2	9,400	32.8	156.1	9,900	280
290	27.9		141.8	6,900	28.7	135.9	7,300	290

# MLC300 S-3

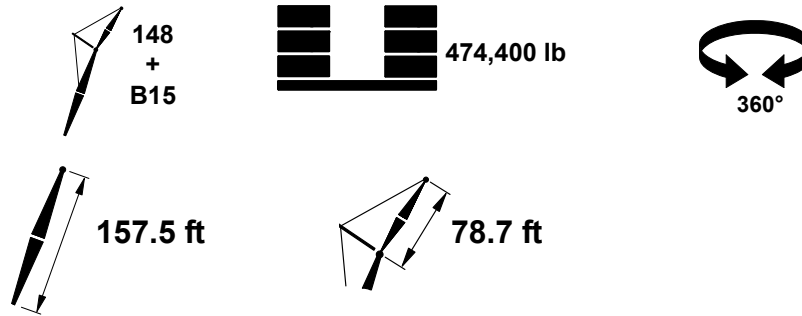
ASME B30.5



	10°			20°			
	ft	°	ft	lb	ft	lb	
45	84.1	220.3	84,000				45
50	82.7	219.3	81,900				50
55	81.4	218.2	79,900	84.6	215.7	69,300	55
60	80.0	217.0	77,900	83.3	214.4	66,000	60
65	78.7	215.6	76,100	81.9	213.0	63,000	65
70	77.3	214.1	74,400	80.5	211.5	60,300	70
75	75.9	212.5	72,700	79.1	209.9	57,800	75
80	74.5	210.7	71,000	77.7	208.1	55,500	80
85	73.1	208.8	69,500	76.2	206.1	53,400	85
90	71.6	206.7	68,000	74.8	204.0	51,400	90
95	70.2	204.5	65,100	73.3	201.8	49,600	95
100	68.7	202.2	62,500	71.8	199.4	47,900	100
105	67.3	199.6	60,000	70.3	196.9	46,300	105
110	65.8	197.0	57,700	68.8	194.1	44,900	110
115	64.2	194.1	55,600	67.3	191.2	43,500	115
120	62.7	191.1	53,600	65.7	188.2	42,100	120
125	61.1	187.9	51,700	64.1	184.9	40,900	125
130	59.5	184.4	50,000	62.5	181.4	39,800	130
135	57.9	180.8	48,400	60.8	177.7	38,700	135
140	56.2	176.9	46,900	59.1	173.8	37,700	140
145	54.5	172.8	45,400	57.4	169.6	36,800	145
150	52.8	168.5	44,100	55.6	165.2	35,800	150
155	51.0	163.8	42,800	53.7	160.4	34,900	155
160	49.1	158.9	41,600	51.8	155.4	34,200	160
165	47.2	153.6	40,500	49.9	149.9	33,400	165
170	45.2	148.0	39,400	47.8	144.1	32,700	170
175	43.1	141.9	38,400	45.7	137.9	32,000	175
180	40.9	135.3	37,500	43.4	131.1	31,400	180
185	38.6	128.2	36,600	41.1	123.7	30,800	185
190	36.2	120.4	35,700	38.5	115.6	30,300	190
195	33.6	111.8	35,000	35.8	106.6	29,800	195
200	30.7	102.2	34,300	32.7	96.4	29,400	200
205	27.5	91.1	33,600	29.3	84.6	29,100	205
210	23.8	78.1	33,000				210
215	19.2	61.5	32,400				215

# MLC300 S-3

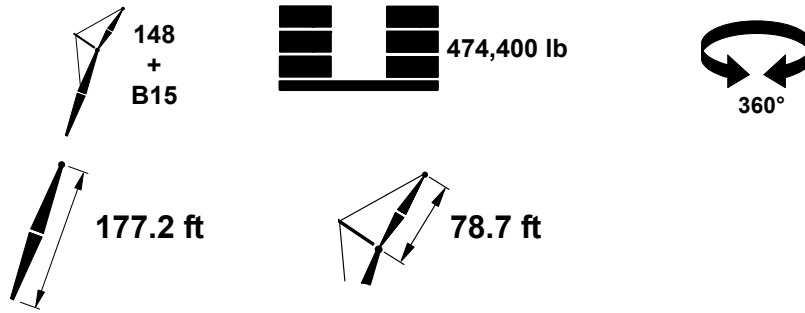
ASME B30.5



	10°			20°			
	ft	°	ft	lb	ft	lb	
45	84.6	240.3	84,100				45
50	83.4	239.4	82,200				50
55	82.1	238.3	80,400				55
60	80.9	237.2	78,600	83.9	234.6	67,200	60
65	79.6	236.0	77,000	82.6	233.3	64,400	65
70	78.4	234.6	75,300	81.3	231.9	61,800	70
75	77.1	233.1	73,800	80.0	230.4	59,400	75
80	75.8	231.5	72,200	78.8	228.8	57,200	80
85	74.6	229.8	70,800	77.5	227.0	55,100	85
90	73.3	227.9	69,400	76.1	225.1	53,200	90
95	72.0	225.9	68,100	74.8	223.1	51,400	95
100	70.6	223.8	65,900	73.5	221.0	49,800	100
105	69.3	221.5	63,400	72.1	218.7	48,200	105
110	68.0	219.1	61,100	70.8	216.2	46,700	110
115	66.6	216.6	58,900	69.4	213.6	45,300	115
120	65.2	213.9	56,900	68.0	210.9	44,100	120
125	63.8	211.0	55,000	66.6	208.0	42,800	125
130	62.4	208.0	53,200	65.2	204.9	41,700	130
135	61.0	204.8	51,500	63.7	201.7	40,600	135
140	59.5	201.4	50,000	62.2	198.2	39,600	140
145	58.0	197.8	48,500	60.7	194.6	38,600	145
150	56.5	194.0	47,100	59.1	190.8	37,700	150
155	55.0	190.0	45,800	57.6	186.7	36,800	155
160	53.4	185.8	44,500	56.0	182.4	36,000	160
165	51.8	181.4	43,400	54.3	177.8	35,200	165
170	50.1	176.6	42,200	52.6	173.0	34,500	170
175	48.4	171.6	41,200	50.8	167.9	33,800	175
180	46.6	166.3	40,200	49.0	162.4	33,100	180
185	44.8	160.6	39,300	47.2	156.6	32,500	185
190	42.9	154.5	38,300	45.2	150.4	31,900	190
195	40.9	148.0	37,500	43.1	143.7	31,400	195
200	38.8	141.0	36,700	41.0	136.4	30,900	200
205	36.6	133.5	35,900	38.7	128.5	30,300	205
210	34.2	125.2	35,200	36.3	119.9	29,900	210
215	31.7	116.0	34,500	33.6	110.3	29,500	215
220	29.0	105.8	33,900	30.7	99.4	29,200	220
225	25.9	94.1	33,300				225
230	22.3	80.1	32,700				230

# MLC300 S-3

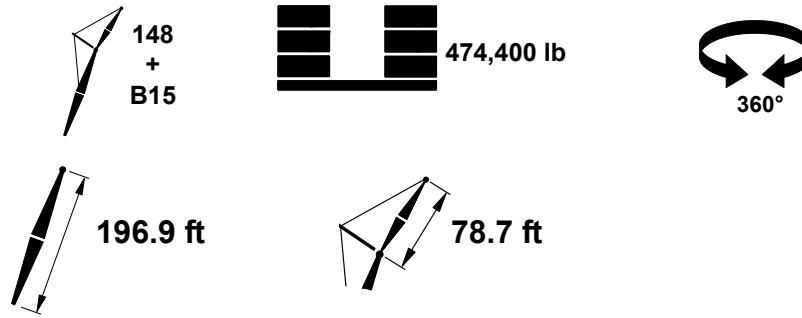
ASME B30.5



	10°			20°			
	ft	°	ft	lb	ft	lb	
45	85.0	260.2	84,000				45
50	83.9	259.3	82,300				50
55	82.7	258.4	80,700				55
60	81.6	257.3	79,100	84.3	254.6	68,200	60
65	80.4	256.2	77,500	83.2	253.4	65,500	65
70	79.3	254.9	76,000	82.0	252.2	63,000	70
75	78.1	253.6	74,600	80.8	250.8	60,800	75
80	77.0	252.1	73,200	79.7	249.3	58,600	80
85	75.8	250.5	71,800	78.5	247.7	56,600	85
90	74.6	248.8	70,600	77.3	246.0	54,800	90
95	73.4	247.0	69,300	76.1	244.1	53,000	95
100	72.2	245.1	68,100	74.9	242.2	51,400	100
105	71.0	243.0	66,500	73.6	240.1	49,900	105
110	69.8	240.8	64,200	72.4	237.9	48,400	110
115	68.6	238.5	62,000	71.2	235.5	47,100	115
120	67.3	236.1	59,900	69.9	233.1	45,800	120
125	66.1	233.5	58,000	68.6	230.4	44,600	125
130	64.8	230.8	56,200	67.3	227.7	43,400	130
135	63.5	227.9	54,500	66.0	224.8	42,300	135
140	62.2	224.9	52,900	64.7	221.7	41,300	140
145	60.9	221.7	51,300	63.3	218.5	40,300	145
150	59.5	218.3	50,000	62.0	215.1	39,400	150
155	58.1	214.8	48,600	60.6	211.5	38,600	155
160	56.8	211.1	47,300	59.2	207.7	37,700	160
165	55.3	207.2	46,000	57.7	203.8	36,900	165
170	53.9	203.1	44,900	56.3	199.6	36,200	170
175	52.4	198.8	43,800	54.8	195.2	35,500	175
180	50.9	194.2	42,800	53.2	190.5	34,800	180
185	49.3	189.4	41,800	51.6	185.6	34,100	185
190	47.8	184.4	40,800	50.0	180.4	33,400	190
195	46.1	179.0	39,900	48.3	175.0	32,900	195
200	44.4	173.3	39,100	46.6	169.1	32,400	200
205	42.7	167.2	38,200	44.8	162.9	31,800	205
210	40.8	160.8	37,400	42.9	156.3	31,300	210
215	38.9	153.9	36,800	40.9	149.1	30,800	215
220	36.9	146.4	36,000	38.9	141.4	30,400	220
225	34.8	138.4	35,300	36.7	133.1	30,000	225
230	32.5	129.6	34,700	34.3	123.9	29,700	230
235	30.1	120.0	33,200	31.7	113.7	29,300	235
240	27.4	109.1	31,300	28.9	102.2	29,000	240
245	24.5	96.7	29,500				245
250	21.0	82.0	27,600				250

# MLC300 S-3

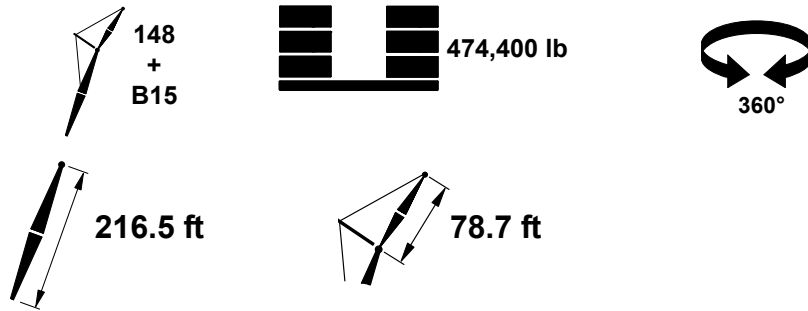
ASME B30.5



	10°			20°			
	ft	°	ft	lb	ft	lb	
50	84.3	279.3	82,100				50
55	83.3	278.4	80,600				55
60	82.2	277.4	79,200	84.8	274.6	69,000	60
65	81.1	276.4	77,700	83.7	273.5	66,400	65
70	80.1	275.2	76,400	82.6	272.3	64,100	70
75	79.0	273.9	75,100	81.5	271.1	61,900	75
80	77.9	272.6	73,800	80.4	269.7	59,900	80
85	76.8	271.1	72,500	79.3	268.2	58,000	85
90	75.8	269.5	71,300	78.2	266.6	56,200	90
95	74.7	267.9	70,200	77.1	264.9	54,500	95
100	73.6	266.1	69,000	76.0	263.1	52,900	100
105	72.4	264.2	67,900	74.9	261.2	51,400	105
110	71.3	262.2	66,900	73.8	259.2	49,900	110
115	70.2	260.1	64,900	72.6	257.1	48,700	115
120	69.1	257.8	62,800	71.5	254.8	47,400	120
125	67.9	255.5	60,800	70.3	252.4	46,200	125
130	66.8	253.0	59,000	69.1	249.9	45,000	130
135	65.6	250.4	57,300	67.9	247.3	43,900	135
140	64.4	247.7	55,600	66.7	244.5	42,900	140
145	63.2	244.8	54,100	65.5	241.6	41,900	145
150	62.0	241.8	52,600	64.3	238.5	41,000	150
155	60.8	238.6	51,200	63.1	235.3	40,200	155
160	59.5	235.3	49,900	61.8	231.9	39,300	160
165	58.2	231.8	48,600	60.5	228.4	38,500	165
170	57.0	228.2	47,500	59.2	224.7	37,700	170
175	55.7	224.3	46,300	57.9	220.8	37,000	175
180	54.3	220.3	45,200	56.5	216.7	36,300	180
185	53.0	216.1	44,200	55.1	212.5	35,600	185
190	51.6	211.7	43,200	53.7	208.0	35,000	190
195	50.2	207.1	42,300	52.3	203.2	34,400	195
200	48.7	202.2	41,400	50.8	198.3	33,800	200
205	47.2	197.1	40,600	49.3	193.0	33,300	205
210	45.7	191.7	39,700	47.7	187.5	32,700	210
215	44.1	186.0	38,600	46.1	181.7	32,200	215
220	42.5	179.9	36,600	44.4	175.5	31,700	220
225	40.8	173.5	34,800	42.7	168.9	31,300	225
230	39.0	166.7	32,900	40.9	161.8	30,800	230
235	37.2	159.4	31,200	39.0	154.3	30,500	235
240	35.3	151.5	29,500	37.0	146.2	30,100	240
245	33.2	143.1	27,800	34.9	137.4	28,500	245
250	31.0	133.8	26,200	32.6	127.7	26,800	250
255	28.7	123.7	24,600	30.1	116.9	25,100	255
260	26.1	112.3	23,000				260
270	19.8	83.6	19,800				270

# MLC300 S-3

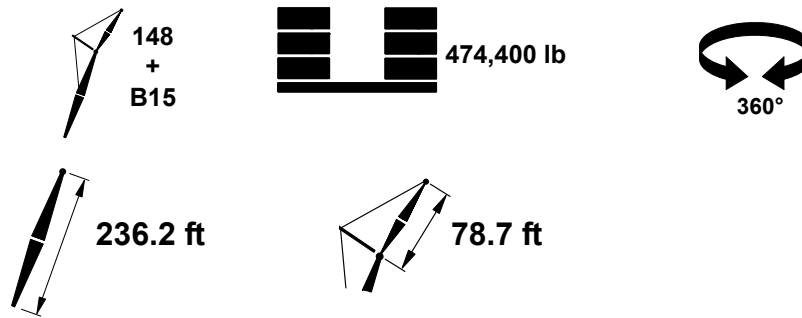
ASME B30.5



	10°			20°			
	ft	°	ft	lb	ft	lb	
50	84.7	299.2	81,700				50
55	83.7	298.3	80,400				55
60	82.7	297.4	79,100				60
65	81.7	296.5	77,700	84.1	293.5	67,200	65
70	80.7	295.4	76,500	83.1	292.5	65,000	70
75	79.8	294.2	75,300	82.1	291.3	62,900	75
80	78.8	292.9	74,100	81.1	290.0	61,000	80
85	77.7	291.6	73,000	80.1	288.6	59,100	85
90	76.7	290.1	71,900	79.1	287.1	57,400	90
95	75.7	288.6	70,800	78.0	285.6	55,700	95
100	74.7	286.9	69,800	77.0	283.9	54,200	100
105	73.7	285.2	68,700	76.0	282.1	52,700	105
110	72.6	283.3	67,700	74.9	280.3	51,400	110
115	71.6	281.4	66,800	73.9	278.3	50,000	115
120	70.6	279.3	65,400	72.8	276.2	48,800	120
125	69.5	277.1	63,500	71.7	274.0	47,600	125
130	68.4	274.9	61,600	70.7	271.7	46,500	130
135	67.4	272.5	59,900	69.6	269.3	45,400	135
140	66.3	270.0	58,200	68.5	266.8	44,500	140
145	65.2	267.3	56,600	67.4	264.1	43,400	145
150	64.1	264.6	55,200	66.2	261.3	42,500	150
155	62.9	261.7	53,800	65.1	258.4	41,700	155
160	61.8	258.7	52,400	64.0	255.3	40,800	160
165	60.7	255.5	51,200	62.8	252.1	40,000	165
170	59.5	252.2	49,900	61.6	248.8	39,200	170
175	58.3	248.8	48,800	60.4	245.3	38,500	175
180	57.1	245.2	47,700	59.2	241.7	37,800	180
185	55.9	241.5	46,600	58.0	237.9	37,100	185
190	54.7	237.5	45,600	56.7	233.9	36,400	190
195	53.4	233.4	44,600	55.5	229.7	35,800	195
200	52.2	229.1	42,400	54.2	225.3	35,200	200
205	50.9	224.6	40,200	52.8	220.7	34,600	205
210	49.5	219.9	38,100	51.5	216.0	34,100	210
215	48.2	215.0	36,100	50.1	210.9	33,500	215
220	46.8	209.8	34,200	48.7	205.6	33,000	220
225	45.3	204.4	32,400	47.2	200.1	32,600	225
230	43.9	198.7	30,600	45.7	194.2	31,700	230
235	42.3	192.6	28,900	44.1	188.0	29,900	235
240	40.8	186.2	27,200	42.5	181.5	28,200	240
245	39.1	179.5	25,600	40.8	174.6	26,600	245
250	37.4	172.3	24,100	39.1	167.1	24,900	250
255	35.7	164.6	22,600	37.3	159.2	23,400	255
260	33.8	156.4	21,100	35.3	150.7	21,800	260
270	29.7	137.8	18,200	31.0	131.2	18,800	270
280	24.9	115.2	15,500				280
290	18.8	85.1	12,700				290

# MLC300 S-3

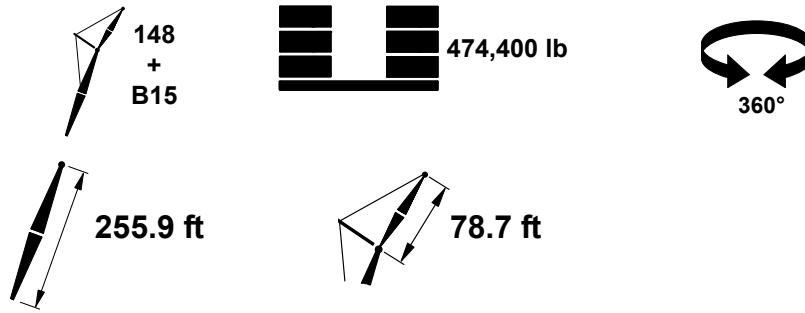
ASME B30.5



	10°			20°			
	ft	°	ft	lb	ft	lb	
55	84.1	318.3	79,800				55
60	83.2	317.4	78,600				60
65	82.3	316.5	77,500	84.5	313.5	67,900	65
70	81.3	315.5	76,300	83.6	312.5	65,800	70
75	80.4	314.4	75,200	82.6	311.4	63,800	75
80	79.5	313.2	74,100	81.7	310.2	61,900	80
85	78.5	311.9	73,100	80.7	308.9	60,200	85
90	77.6	310.6	72,100	79.8	307.6	58,500	90
95	76.6	309.1	71,100	78.8	306.1	56,900	95
100	75.7	307.6	70,100	77.9	304.5	55,400	100
105	74.7	306.0	69,200	76.9	302.9	54,000	105
110	73.8	304.3	68,200	75.9	301.2	52,600	110
115	72.8	302.4	67,300	74.9	299.3	51,400	115
120	71.8	300.5	66,500	74.0	297.4	50,200	120
125	70.9	298.5	65,700	73.0	295.4	49,000	125
130	69.9	296.4	64,100	72.0	293.2	47,900	130
135	68.9	294.2	62,400	71.0	291.0	46,800	135
140	67.9	291.9	60,700	70.0	288.7	45,800	140
145	66.9	289.5	59,200	68.9	286.2	44,800	145
150	65.8	286.9	57,600	67.9	283.6	43,900	150
155	64.8	284.3	56,200	66.9	281.0	43,000	155
160	63.8	281.5	54,800	65.8	278.2	42,200	160
165	62.7	278.6	53,500	64.7	275.2	41,400	165
170	61.7	275.6	52,300	63.7	272.2	40,600	170
175	60.6	272.5	51,100	62.6	269.0	39,900	175
180	59.5	269.2	49,700	61.5	265.7	39,200	180
185	58.4	265.8	47,100	60.4	262.2	38,500	185
190	57.3	262.2	44,500	59.2	258.6	37,800	190
195	56.2	258.5	42,100	58.1	254.9	37,200	195
200	55.0	254.7	39,800	56.9	251.0	36,500	200
205	53.8	250.7	37,700	55.7	246.9	36,000	205
210	52.7	246.5	35,600	54.5	242.6	35,400	210
215	51.5	242.1	33,600	53.3	238.2	34,900	215
220	50.2	237.5	31,700	52.1	233.5	33,200	220
225	49.0	232.8	29,900	50.8	228.7	31,300	225
230	47.7	227.8	28,100	49.5	223.6	29,400	230
235	46.4	222.5	26,400	48.1	218.3	27,700	235
240	45.0	217.1	24,800	46.7	212.7	26,000	240
245	43.6	211.3	23,200	45.3	206.8	24,400	245
250	42.2	205.3	21,700	43.9	200.7	22,800	250
255	40.7	199.0	20,300	42.4	194.2	21,300	255
260	39.2	192.3	18,900	40.8	187.3	19,800	260
270	36.0	177.7	16,100	37.5	172.2	16,900	270
280	32.5	161.0	13,600	33.8	155.0	14,200	280
290	28.5	141.6	11,100	29.7	134.6	11,600	290
300	23.8	117.9	8,600				300

# MLC300 S-3

ASME B30.5

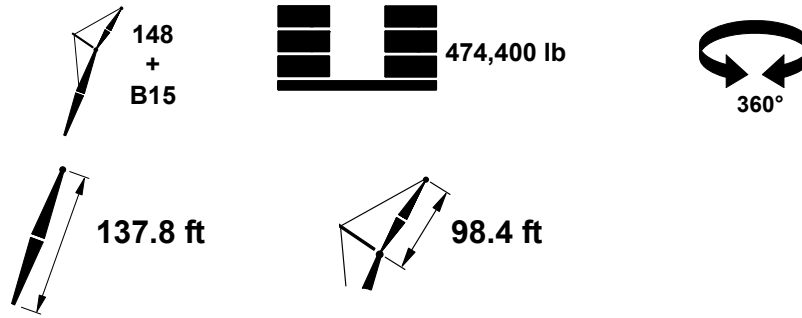


	10°			20°			
	ft	°	ft	lb	ft	lb	
55	84.5	338.2	78,600				55
60	83.6	337.4	77,600				60
65	82.7	336.5	76,500	84.8	333.5	68,000	65
70	81.9	335.5	75,500	83.9	332.5	66,100	70
75	81.0	334.5	74,500	83.1	331.5	64,200	75
80	80.1	333.4	73,500	82.2	330.4	62,400	80
85	79.2	332.2	72,600	81.3	329.2	60,800	85
90	78.3	330.9	71,700	80.4	327.9	59,200	90
95	77.5	329.6	70,800	79.5	326.5	57,700	95
100	76.6	328.2	69,900	78.6	325.1	56,300	100
105	75.7	326.6	69,000	77.7	323.5	54,900	105
110	74.8	325.0	68,200	76.8	321.9	53,500	110
115	73.9	323.3	67,400	75.9	320.2	52,300	115
120	73.0	321.5	66,600	75.0	318.4	51,100	120
125	72.0	319.7	65,800	74.0	316.5	50,000	125
130	71.1	317.7	64,800	73.1	314.5	48,900	130
135	70.2	315.6	63,400	72.2	312.4	47,900	135
140	69.3	313.5	61,900	71.2	310.2	46,800	140
145	68.3	311.2	60,600	70.3	308.0	45,900	145
150	67.4	308.9	59,300	69.3	305.6	45,000	150
155	66.4	306.4	58,000	68.4	303.1	44,200	155
160	65.5	303.9	56,700	67.4	300.5	43,300	160
165	64.5	301.2	55,400	66.4	297.8	42,500	165
170	63.5	298.4	53,100	65.4	295.0	41,700	170
175	62.5	295.5	50,100	64.4	292.1	41,000	175
180	61.5	292.5	47,300	63.4	289.0	40,300	180
185	60.5	289.4	44,700	62.4	285.9	39,600	185
190	59.5	286.2	42,200	61.4	282.6	39,000	190
195	58.5	282.8	39,800	60.3	279.2	38,300	195
200	57.4	279.3	37,500	59.3	275.6	37,700	200
205	56.4	275.6	35,300	58.2	271.9	37,100	205
210	55.3	271.8	33,300	57.1	268.0	35,000	210
215	54.2	267.9	31,300	56.0	264.0	33,000	215
220	53.1	263.8	29,400	54.9	259.9	31,000	220
225	52.0	259.5	27,600	53.7	255.5	29,100	225
230	50.8	255.0	25,900	52.5	251.0	27,300	230
235	49.7	250.4	24,200	51.4	246.3	25,600	235
240	48.5	245.6	22,600	50.2	241.4	23,900	240
245	47.3	240.5	21,000	48.9	236.3	22,300	245
250	46.0	235.3	19,600	47.7	230.9	20,800	250
255	44.7	229.8	18,100	46.4	225.3	19,300	255
260	43.4	224.0	16,700	45.0	219.4	17,800	260
270	40.7	211.7	14,100	42.2	206.8	15,100	270
280	37.8	198.1	11,600	39.3	192.8	12,500	280
290	34.7	182.8	9,200	36.0	177.1	10,000	290
300	31.3	165.4	7,000	32.5	159.0	7,600	300



# MLC300 S-3

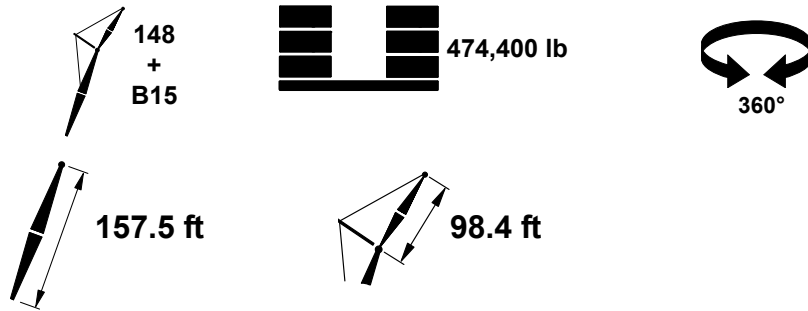
ASME B30.5



	10°			20°			
	ft	°	ft	lb	ft	lb	
45	84.9		240.5	67,000			45
50	83.7		239.6	65,400			50
55	82.5		238.6	63,800			55
60	81.2		237.4	62,300			60
65	80.0		236.2	60,800			65
70	78.7		234.8	59,400	83.8	233.6	70
75	77.5		233.3	58,000	82.5	232.2	75
80	76.2		231.7	56,300	81.2	230.7	80
85	74.9		230.0	54,800	79.9	229.0	85
90	73.6		228.1	53,300	78.6	227.3	90
95	72.3		226.1	51,900	77.3	225.4	95
100	71.0		224.0	50,600	76.0	223.4	100
105	69.7		221.8	49,300	74.7	221.2	105
110	68.3		219.4	48,000	73.3	218.9	110
115	67.0		216.8	46,900	72.0	216.5	115
120	65.6		214.1	45,700	70.6	213.9	120
125	64.2		211.3	44,600	69.2	211.2	125
130	62.8		208.2	43,200	67.8	208.3	130
135	61.4		205.0	41,700	66.3	205.2	135
140	59.9		201.7	40,200	64.9	202.0	140
145	58.4		198.1	38,900	63.4	198.6	145
150	56.9		194.3	37,700	61.9	194.9	150
155	55.4		190.3	36,400	60.4	191.1	155
160	53.8		186.1	35,300	58.8	187.0	160
165	52.1		181.7	34,300	57.2	182.7	165
170	50.5		177.0	33,300	55.5	178.2	170
175	48.8		171.9	32,400	53.8	173.4	175
180	47.0		166.6	31,500	52.1	168.3	180
185	45.2		161.0	30,700	50.3	162.8	185
190	43.3		154.9	29,900	48.4	157.0	190
195	41.3		148.4	29,100	46.4	150.8	195
200	39.2		141.4	28,300	44.4	144.1	200
205	37.0		133.9	27,700	42.2	136.9	205
210	34.7		125.6	27,000	40.0	129.0	210
215	32.2		116.5	26,400	37.5	120.4	215
220	29.4		106.3	25,800	34.9	110.9	220
225	26.4		94.7	25,300	32.0	100.1	225
230	22.8		80.9	24,800	28.7	87.5	230
235	18.4		63.4	24,300			235

# MLC300 S-3

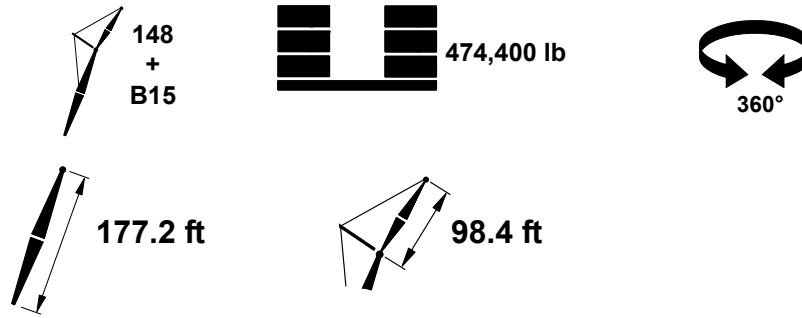
ASME B30.5



	10°			20°			
	ft	°	ft	lb	ft	lb	
50	84.2	259.6	65,500				50
55	83.1	258.6	64,100				55
60	81.9	257.6	62,700				60
65	80.8	256.4	61,400	84.3	253.7	54,100	65
70	79.6	255.2	60,100	83.1	252.4	52,900	70
75	78.5	253.8	58,800	81.9	251.0	51,600	75
80	77.3	252.3	57,400	80.7	249.5	49,700	80
85	76.1	250.7	56,000	79.6	247.9	47,800	85
90	74.9	249.0	54,600	78.4	246.2	46,000	90
95	73.8	247.2	53,200	77.2	244.4	44,400	95
100	72.6	245.3	52,000	75.9	242.4	42,800	100
105	71.3	243.2	50,800	74.7	240.3	41,400	105
110	70.1	241.1	49,600	73.5	238.1	40,000	110
115	68.9	238.7	48,400	72.2	235.8	38,700	115
120	67.7	236.3	47,300	71.0	233.3	37,500	120
125	66.4	233.7	46,300	69.7	230.7	36,300	125
130	65.1	231.0	45,300	68.4	227.9	35,300	130
135	63.8	228.1	44,200	67.1	225.0	34,200	135
140	62.5	225.1	42,800	65.8	222.0	33,300	140
145	61.2	221.9	41,400	64.4	218.7	32,400	145
150	59.9	218.6	40,200	63.1	215.3	31,500	150
155	58.5	215.1	38,900	61.7	211.8	30,700	155
160	57.1	211.4	37,800	60.3	208.0	29,900	160
165	55.7	207.5	36,700	58.8	204.0	29,200	165
170	54.2	203.4	35,600	57.4	199.9	28,500	170
175	52.8	199.1	34,700	55.9	195.5	27,800	175
180	51.3	194.5	33,700	54.3	190.8	27,200	180
185	49.7	189.7	32,900	52.7	185.9	26,600	185
190	48.1	184.7	32,000	51.1	180.8	26,000	190
195	46.5	179.3	31,200	49.4	175.3	25,500	195
200	44.8	173.6	30,500	47.7	169.4	24,900	200
205	43.0	167.6	29,800	45.9	163.2	24,500	205
210	41.2	161.1	29,000	44.0	156.6	24,000	210
215	39.3	154.2	28,400	42.1	149.5	23,600	215
220	37.3	146.8	27,800	40.0	141.8	23,100	220
225	35.2	138.8	27,200	37.8	133.5	22,700	225
230	33.0	130.1	26,600	35.5	124.4	22,400	230
235	30.5	120.5	26,000	32.9	114.2	22,100	235
240	27.9	109.7	25,600	30.1	102.8	21,800	240
245	24.9	97.4	25,100	26.9	89.4	21,500	245
250	21.5	82.7	24,600				250
255	17.1	64.1	24,300				255

# MLC300 S-3

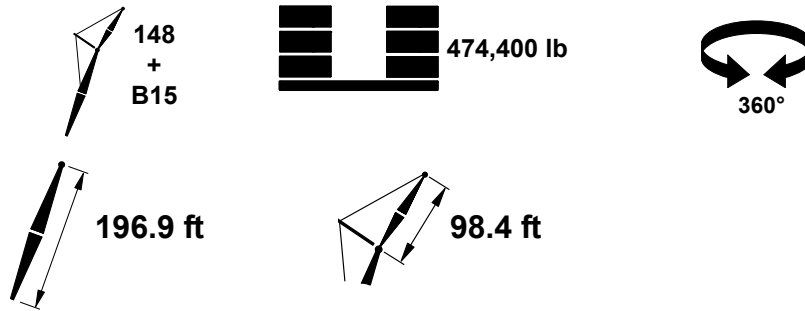
ASME B30.5



	10°			20°			
	ft	°	ft	lb	ft	lb	
50	84.6	279.5	65,500				50
55	83.6	278.6	64,200				55
60	82.5	277.6	62,900				60
65	81.4	276.6	61,700	84.7	273.7	54,300	65
70	80.4	275.4	60,500	83.6	272.5	53,200	70
75	79.3	274.2	59,300	82.5	271.2	52,100	75
80	78.2	272.8	58,100	81.4	269.9	50,800	80
85	77.2	271.3	56,900	80.3	268.4	49,000	85
90	76.1	269.8	55,700	79.2	266.8	47,200	90
95	75.0	268.1	54,400	78.1	265.1	45,600	95
100	73.9	266.3	53,200	77.0	263.3	44,100	100
105	72.8	264.4	52,000	75.9	261.4	42,700	105
110	71.6	262.4	50,800	74.8	259.4	41,300	110
115	70.5	260.3	49,800	73.6	257.2	40,100	115
120	69.4	258.1	48,700	72.5	255.0	38,900	120
125	68.2	255.7	47,700	71.3	252.6	37,800	125
130	67.1	253.2	46,700	70.1	250.1	36,700	130
135	65.9	250.6	45,700	69.0	247.5	35,700	135
140	64.7	247.9	44,800	67.8	244.7	34,700	140
145	63.5	245.0	43,900	66.5	241.8	33,800	145
150	62.3	242.0	42,600	65.3	238.7	33,000	150
155	61.1	238.9	41,300	64.1	235.5	32,100	155
160	59.8	235.5	40,100	62.8	232.1	31,400	160
165	58.6	232.1	39,000	61.5	228.6	30,600	165
170	57.3	228.4	37,900	60.2	224.9	29,900	170
175	56.0	224.6	36,900	58.9	221.0	29,200	175
180	54.7	220.6	36,000	57.5	217.0	28,600	180
185	53.3	216.4	35,000	56.2	212.7	28,000	185
190	51.9	212.0	34,200	54.7	208.2	27,400	190
195	50.5	207.4	33,300	53.3	203.5	26,800	195
200	49.1	202.5	32,500	51.8	198.5	26,300	200
205	47.6	197.4	31,800	50.3	193.3	25,700	205
210	46.0	192.0	31,000	48.7	187.8	25,300	210
215	44.5	186.3	30,300	47.1	181.9	24,800	215
220	42.8	180.3	29,700	45.5	175.7	24,400	220
225	41.2	173.9	29,000	43.7	169.2	23,900	225
230	39.4	167.0	28,400	41.9	162.1	23,600	230
235	37.6	159.8	27,800	40.0	154.6	23,100	235
240	35.6	151.9	27,300	38.0	146.5	22,800	240
245	33.6	143.5	26,800	35.9	137.7	22,500	245
250	31.4	134.3	26,200	33.6	128.1	22,200	250
255	29.1	124.2	25,800	31.2	117.4	21,900	255
260	26.5	112.8	25,400	28.4	105.2	21,600	260
270	20.2	84.4	23,800				270

# MLC300 S-3

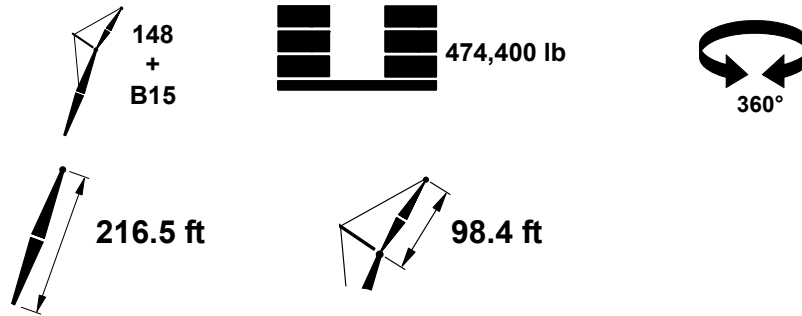
ASME B30.5



	10°			20°			
	ft	°	ft	lb	ft	lb	
50	85.0	299.4	65,200				50
55	84.0	298.6	64,000				55
60	83.0	297.7	62,900				60
65	82.0	296.7	61,800				65
70	81.0	295.6	60,700	84.0	292.6	53,300	70
75	80.0	294.4	59,700	83.0	291.4	52,300	75
80	79.0	293.1	58,600	82.0	290.1	51,300	80
85	78.0	291.8	57,500	81.0	288.8	50,000	85
90	77.0	290.3	56,400	80.0	287.3	48,300	90
95	76.0	288.8	55,300	79.0	285.7	46,700	95
100	75.0	287.1	54,100	77.9	284.1	45,300	100
105	74.0	285.4	53,000	76.9	282.3	43,900	105
110	72.9	283.5	51,900	75.9	280.4	42,500	110
115	71.9	281.6	50,900	74.8	278.4	41,300	115
120	70.8	279.5	49,900	73.7	276.4	40,200	120
125	69.8	277.4	48,900	72.7	274.2	39,000	125
130	68.7	275.1	47,900	71.6	271.9	38,000	130
135	67.6	272.7	47,100	70.5	269.4	37,000	135
140	66.6	270.2	46,100	69.4	266.9	36,000	140
145	65.5	267.6	45,300	68.3	264.2	35,100	145
150	64.4	264.8	44,400	67.2	261.5	34,300	150
155	63.2	261.9	43,500	66.0	258.5	33,400	155
160	62.1	258.9	42,300	64.9	255.5	32,700	160
165	61.0	255.8	41,200	63.7	252.3	31,900	165
170	59.8	252.5	40,100	62.6	249.0	31,200	170
175	58.6	249.1	39,000	61.4	245.5	30,500	175
180	57.4	245.5	38,000	60.2	241.8	29,900	180
185	56.2	241.7	37,100	58.9	238.0	29,200	185
190	55.0	237.8	36,200	57.7	234.0	28,600	190
195	53.7	233.7	35,300	56.4	229.9	28,100	195
200	52.5	229.4	34,500	55.1	225.5	27,500	200
205	51.2	224.9	33,700	53.8	220.9	27,000	205
210	49.8	220.2	33,000	52.4	216.1	26,500	210
215	48.5	215.3	32,200	51.0	211.1	26,000	215
220	47.1	210.1	31,500	49.6	205.8	25,600	220
225	45.7	204.7	30,900	48.2	200.3	25,100	225
230	44.2	199.0	30,200	46.6	194.4	24,700	230
235	42.7	192.9	29,600	45.1	188.3	24,300	235
240	41.1	186.6	29,000	43.5	181.7	23,900	240
245	39.5	179.8	28,500	41.8	174.8	23,500	245
250	37.8	172.7	27,900	40.1	167.4	23,200	250
255	36.0	165.0	26,600	38.2	159.5	22,900	255
260	34.1	156.8	25,100	36.3	150.9	22,500	260
270	30.1	138.3	22,300	32.0	131.6	22,000	270
280	25.3	115.7	19,500	26.9	107.5	20,100	280
290	19.2	85.9	16,700				290

# MLC300 S-3

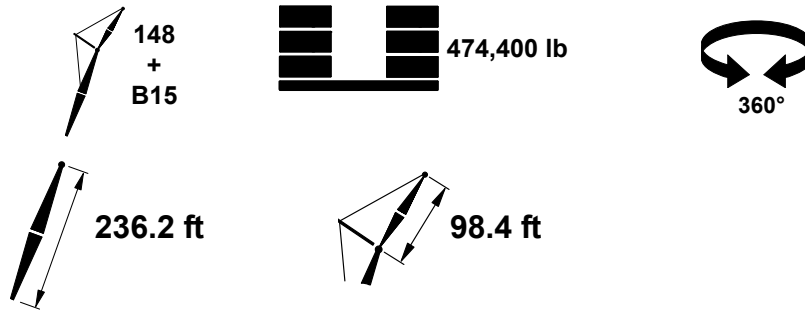
ASME B30.5



	10°			20°			
	ft	°	ft	lb	ft	lb	
55	84.4	318.5	63,700				55
60	83.5	317.6	62,800				60
65	82.5	316.7	61,700				65
70	81.6	315.7	60,700	84.4	312.6	53,400	70
75	80.7	314.6	59,700	83.5	311.5	52,400	75
80	79.7	313.4	58,800	82.5	310.3	51,500	80
85	78.8	312.1	57,900	81.6	309.0	50,700	85
90	77.9	310.8	56,800	80.6	307.7	49,200	90
95	76.9	309.3	55,900	79.7	306.2	47,700	95
100	76.0	307.8	54,900	78.7	304.6	46,300	100
105	75.0	306.2	53,800	77.8	303.0	44,900	105
110	74.0	304.5	52,800	76.8	301.3	43,700	110
115	73.1	302.7	51,800	75.8	299.4	42,400	115
120	72.1	300.7	50,800	74.8	297.5	41,300	120
125	71.1	298.7	49,900	73.8	295.5	40,200	125
130	70.1	296.6	49,000	72.8	293.3	39,200	130
135	69.2	294.4	48,100	71.8	291.1	38,200	135
140	68.2	292.1	47,300	70.8	288.8	37,200	140
145	67.1	289.7	46,400	69.8	286.3	36,400	145
150	66.1	287.1	45,600	68.8	283.7	35,500	150
155	65.1	284.5	44,900	67.7	281.1	34,700	155
160	64.1	281.7	44,100	66.7	278.3	33,900	160
165	63.0	278.8	43,300	65.6	275.3	33,200	165
170	61.9	275.8	42,100	64.5	272.3	32,400	170
175	60.9	272.7	41,100	63.5	269.1	31,800	175
180	59.8	269.4	40,100	62.4	265.8	31,100	180
185	58.7	266.0	39,100	61.2	262.4	30,500	185
190	57.6	262.5	38,200	60.1	258.8	29,900	190
195	56.4	258.8	37,300	59.0	255.0	29,300	195
200	55.3	254.9	36,400	57.8	251.1	28,700	200
205	54.1	250.9	35,600	56.6	247.0	28,200	205
210	52.9	246.7	34,800	55.4	242.7	27,700	210
215	51.7	242.4	34,100	54.2	238.3	27,200	215
220	50.5	237.8	33,300	52.9	233.7	26,700	220
225	49.3	233.0	32,700	51.7	228.8	26,200	225
230	48.0	228.0	32,000	50.3	223.7	25,800	230
235	46.7	222.8	30,500	49.0	218.4	25,400	235
240	45.3	217.4	28,800	47.6	212.8	25,000	240
245	43.9	211.7	27,300	46.2	207.0	24,600	245
250	42.5	205.6	25,800	44.8	200.8	24,200	250
255	41.0	199.3	24,300	43.3	194.3	23,900	255
260	39.5	192.6	22,900	41.7	187.4	23,500	260
270	36.3	178.0	20,200	38.4	172.4	21,200	270
280	32.8	161.4	17,600	34.7	155.2	18,500	280
290	28.8	142.0	15,100	30.6	134.8	15,800	290
300	24.2	118.5	12,700				300
310	18.2	87.1	10,200				310

# MLC300 S-3

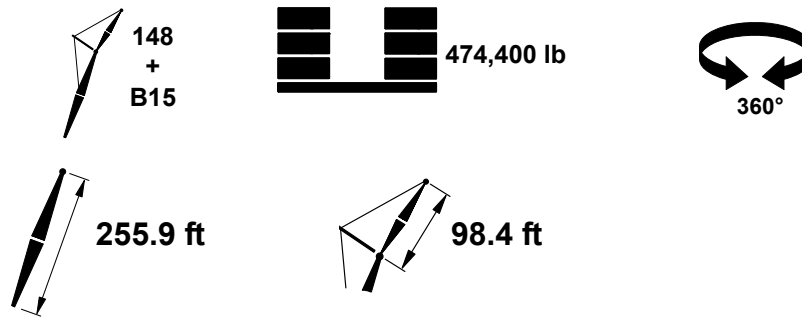
ASME B30.5



	10°			20°			
	ft	°	ft	lb	°	ft	
55	84.7	338.4	63,300				55
60	83.8	337.6	62,300				60
65	83.0	336.7	61,500				65
70	82.1	335.7	60,500	84.8	332.6	53,300	70
75	81.2	334.7	59,600	83.9	331.5	52,400	75
80	80.4	333.6	58,800	83.0	330.4	51,700	80
85	79.5	332.4	57,900	82.1	329.2	50,800	85
90	78.6	331.1	57,100	81.2	327.9	50,000	90
95	77.7	329.8	56,200	80.3	326.6	48,600	95
100	76.8	328.4	55,300	79.4	325.1	47,200	100
105	75.9	326.8	54,500	78.5	323.6	45,900	105
110	75.0	325.2	53,500	77.6	322.0	44,700	110
115	74.1	323.5	52,500	76.7	320.3	43,500	115
120	73.2	321.8	51,600	75.8	318.5	42,400	120
125	72.3	319.9	50,800	74.9	316.6	41,300	125
130	71.4	317.9	49,900	73.9	314.6	40,300	130
135	70.5	315.9	49,100	73.0	312.5	39,300	135
140	69.5	313.7	48,200	72.1	310.3	38,400	140
145	68.6	311.5	47,400	71.1	308.0	37,500	145
150	67.6	309.1	46,700	70.2	305.7	36,700	150
155	66.7	306.6	45,900	69.2	303.2	35,800	155
160	65.7	304.1	45,200	68.2	300.6	35,000	160
165	64.8	301.4	44,500	67.2	297.9	34,300	165
170	63.8	298.7	43,800	66.2	295.1	33,600	170
175	62.8	295.8	43,000	65.2	292.2	32,900	175
180	61.8	292.8	42,000	64.2	289.1	32,200	180
185	60.8	289.6	41,000	63.2	286.0	31,600	185
190	59.8	286.4	40,100	62.2	282.7	31,000	190
195	58.7	283.0	39,200	61.1	279.2	30,400	195
200	57.7	279.5	38,300	60.1	275.7	29,900	200
205	56.6	275.8	37,400	59.0	272.0	29,300	205
210	55.6	272.1	36,700	57.9	268.1	28,800	210
215	54.5	268.1	35,000	56.8	264.1	28,300	215
220	53.4	264.0	33,200	55.7	260.0	27,800	220
225	52.2	259.7	31,300	54.5	255.6	27,300	225
230	51.1	255.3	29,600	53.4	251.1	26,900	230
235	49.9	250.7	27,900	52.2	246.4	26,500	235
240	48.7	245.8	26,300	51.0	241.5	26,000	240
245	47.5	240.8	24,800	49.7	236.4	25,700	245
250	46.3	235.6	23,300	48.5	231.0	24,800	250
255	45.0	230.1	21,900	47.2	225.4	23,300	255
260	43.7	224.3	20,500	45.9	219.5	21,900	260
270	41.0	212.0	17,900	43.1	206.9	19,100	270
280	38.1	198.4	15,400	40.1	192.9	16,400	280
290	35.0	183.1	13,000	36.9	177.2	13,900	290
300	31.6	165.8	10,700	33.3	159.2	11,500	300
310	27.7	145.6	8,500	29.3	138.0	9,200	310

# MLC300 S-3

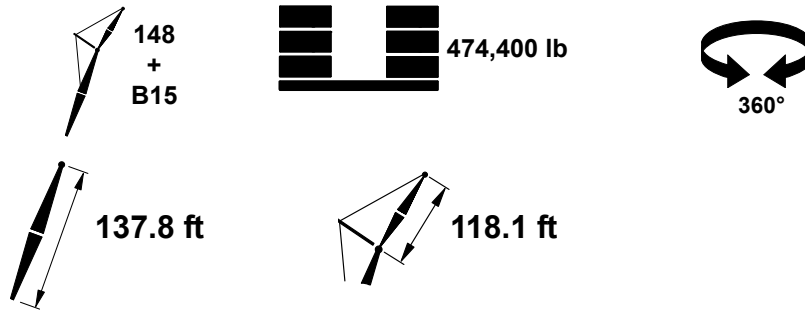
ASME B30.5



	10°			20°			
	ft	°	ft	lb	ft	lb	
60	84.2	357.5	61,500				60
65	83.4	356.7	60,700				65
70	82.6	355.8	59,900				70
75	81.7	354.8	59,000	84.2	351.6	52,200	75
80	80.9	353.7	58,200	83.4	350.5	51,400	80
85	80.1	352.6	57,500	82.6	349.4	50,700	85
90	79.2	351.4	56,700	81.7	348.2	50,000	90
95	78.4	350.2	56,000	80.9	346.9	49,200	95
100	77.6	348.8	55,200	80.0	345.5	47,800	100
105	76.7	347.4	54,400	79.2	344.1	46,600	105
110	75.9	345.9	53,600	78.3	342.5	45,400	110
115	75.0	344.3	52,800	77.5	340.9	44,200	115
120	74.2	342.6	52,000	76.6	339.2	43,100	120
125	73.3	340.8	51,100	75.8	337.5	42,100	125
130	72.5	339.0	50,300	74.9	335.6	41,100	130
135	71.6	337.1	49,600	74.0	333.7	40,200	135
140	70.7	335.1	48,800	73.1	331.6	39,200	140
145	69.9	333.0	48,000	72.2	329.5	38,400	145
150	69.0	330.8	47,300	71.4	327.3	37,500	150
155	68.1	328.5	46,600	70.5	325.0	36,700	155
160	67.2	326.1	45,900	69.6	322.6	36,000	160
165	66.3	323.6	45,200	68.6	320.1	35,200	165
170	65.4	321.0	44,600	67.7	317.5	34,500	170
175	64.5	318.4	43,900	66.8	314.7	33,900	175
180	63.5	315.6	43,300	65.9	311.9	33,200	180
185	62.6	312.7	42,600	64.9	309.0	32,500	185
190	61.7	309.7	41,600	64.0	306.0	32,000	190
195	60.7	306.6	40,700	63.0	302.8	31,400	195
200	59.8	303.3	38,900	62.0	299.5	30,800	200
205	58.8	300.0	36,700	61.0	296.1	30,300	205
210	57.8	296.5	34,700	60.0	292.6	29,700	210
215	56.8	292.9	32,700	59.0	289.0	29,200	215
220	55.8	289.2	30,800	58.0	285.2	28,800	220
225	54.8	285.3	29,000	57.0	281.2	28,300	225
230	53.7	281.2	27,300	55.9	277.1	27,800	230
235	52.7	277.1	25,600	54.8	272.9	27,400	235
240	51.6	272.7	24,100	53.8	268.5	25,900	240
245	50.5	268.2	22,500	52.7	263.9	24,300	245
250	49.4	263.5	21,100	51.5	259.1	22,700	250
255	48.3	258.7	19,600	50.4	254.2	21,300	255
260	47.1	253.6	18,300	49.2	249.0	19,800	260
270	44.8	242.8	15,700	46.8	238.0	17,100	270
280	42.3	231.0	13,200	44.2	226.0	14,500	280
290	39.6	218.2	10,900	41.5	212.8	12,100	290
300	36.8	203.9	8,800	38.6	198.2	9,800	300
310	33.8	188.1	6,700	35.5	181.8	7,500	310

# MLC300 S-3

ASME B30.5

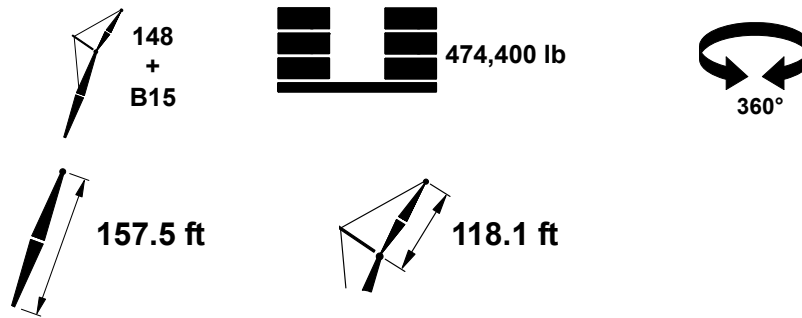


	10°			20°			
	ft	°	ft	lb	ft	lb	
55	84.2	258.4	51,000				55
60	83.1	257.4	49,700				60
65	81.9	256.2	48,300				65
70	80.8	254.9	47,000	85.0	251.9	41,000	70
75	79.6	253.6	45,700	83.8	250.5	40,000	75
80	78.5	252.1	44,400	82.6	249.0	38,900	80
85	77.3	250.5	43,100	81.4	247.4	37,900	85
90	76.1	248.8	41,900	80.2	245.7	36,800	90
95	74.9	247.0	40,700	79.0	243.8	35,900	95
100	73.7	245.1	39,600	77.8	241.9	35,000	100
105	72.5	243.0	38,400	76.6	239.8	33,800	105
110	71.3	240.8	37,400	75.4	237.6	32,500	110
115	70.1	238.5	36,400	74.1	235.2	31,400	115
120	68.8	236.1	35,400	72.8	232.7	30,400	120
125	67.6	233.5	34,400	71.6	230.1	29,400	125
130	66.3	230.8	33,500	70.3	227.4	28,500	130
135	65.0	227.9	32,600	69.0	224.4	27,600	135
140	63.7	224.9	31,700	67.6	221.4	26,700	140
145	62.4	221.7	30,800	66.3	218.1	25,900	145
150	61.0	218.3	30,100	64.9	214.7	25,200	150
155	59.6	214.8	29,300	63.5	211.2	24,500	155
160	58.3	211.1	28,500	62.1	207.4	23,800	160
165	56.8	207.2	27,800	60.7	203.4	23,200	165
170	55.4	203.1	27,100	59.2	199.2	22,500	170
175	53.9	198.8	26,500	57.7	194.8	21,900	175
180	52.4	194.2	25,800	56.1	190.2	21,400	180
185	50.8	189.4	25,200	54.6	185.2	20,800	185
190	49.3	184.4	24,600	52.9	180.0	20,400	190
195	47.6	179.0	24,100	51.2	174.5	19,900	195
200	45.9	173.3	23,600	49.5	168.7	19,400	200
205	44.2	167.2	23,100	47.7	162.5	19,000	205
210	42.3	160.8	22,600	45.8	155.8	18,600	210
215	40.4	153.9	22,100	43.8	148.6	18,200	215
220	38.4	146.5	21,600	41.7	140.9	17,900	220
225	36.3	138.4	21,100	39.5	132.5	17,500	225
230	34.1	129.6	20,600	37.2	123.3	17,200	230
235	31.6	120.0	20,200	34.6	113.1	16,900	235
240	29.0	109.2	19,700	31.7	101.5	16,600	240
245	26.0	96.8	19,300	28.5	87.9	16,400	245
250	22.5	82.0	19,000				250
255	18.1	63.1	18,600				255



# MLC300 S-3

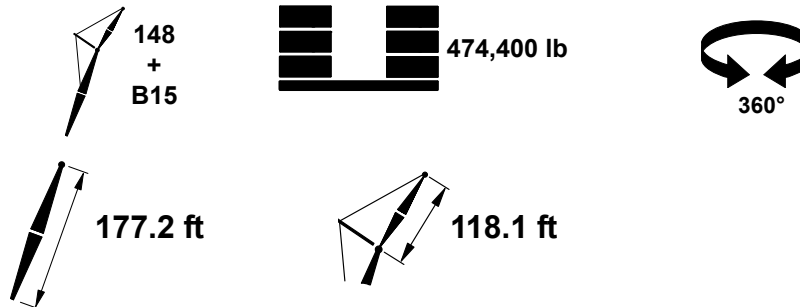
ASME B30.5



ft	10°			20°			ft
	°	ft	lb	°	ft	lb	
55	84.7	278.4	51,200				55
60	83.6	277.4	50,000				60
65	82.5	276.3	48,700				65
70	81.5	275.2	47,500				70
75	80.4	273.9	46,300	84.3	270.6	40,200	75
80	79.3	272.5	45,100	83.2	269.3	39,300	80
85	78.2	271.1	43,900	82.1	267.8	38,300	85
90	77.1	269.5	42,800	81.0	266.2	37,400	90
95	76.0	267.8	41,700	79.9	264.5	36,500	95
100	74.9	266.1	40,600	78.8	262.7	35,600	100
105	73.8	264.2	39,600	77.6	260.8	34,700	105
110	72.7	262.2	38,500	76.5	258.8	33,600	110
115	71.6	260.0	37,500	75.4	256.6	32,600	115
120	70.5	257.8	36,600	74.2	254.3	31,500	120
125	69.3	255.5	35,600	73.0	252.0	30,500	125
130	68.1	253.0	34,800	71.9	249.4	29,600	130
135	67.0	250.4	33,900	70.7	246.8	28,700	135
140	65.8	247.6	33,000	69.5	244.0	27,900	140
145	64.6	244.8	32,200	68.3	241.1	27,100	145
150	63.4	241.7	31,500	67.0	238.0	26,300	150
155	62.1	238.6	30,700	65.8	234.8	25,600	155
160	60.9	235.3	30,000	64.5	231.4	25,000	160
165	59.6	231.8	29,200	63.2	227.9	24,300	165
170	58.3	228.1	28,500	61.9	224.2	23,600	170
175	57.0	224.3	27,900	60.6	220.3	23,100	175
180	55.7	220.3	27,300	59.2	216.2	22,500	180
185	54.4	216.1	26,600	57.8	211.9	22,000	185
190	53.0	211.7	26,000	56.4	207.4	21,500	190
195	51.6	207.0	25,500	55.0	202.7	21,000	195
200	50.1	202.2	25,000	53.5	197.7	20,500	200
205	48.6	197.0	24,400	52.0	192.4	20,100	205
210	47.1	191.6	23,900	50.4	186.9	19,700	210
215	45.5	185.9	23,500	48.8	181.0	19,200	215
220	43.9	179.9	23,000	47.1	174.8	18,900	220
225	42.2	173.5	22,500	45.4	168.2	18,500	225
230	40.4	166.6	22,100	43.5	161.1	18,200	230
235	38.6	159.3	21,600	41.6	153.5	17,800	235
240	36.7	151.5	21,200	39.6	145.4	17,500	240
245	34.6	143.0	20,700	37.5	136.5	17,200	245
250	32.4	133.8	20,300	35.2	126.8	17,000	250
255	30.1	123.6	19,800	32.7	115.9	16,700	255
260	27.5	112.2	19,500	29.9	103.6	16,500	260
270	21.2	83.5	18,800				270

# MLC300 S-3

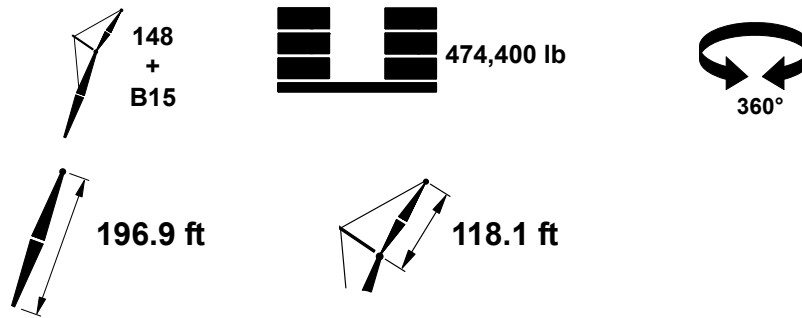
ASME B30.5



ft	10°			20°			ft
	°	ft	lb	°	ft	lb	
60	84.0	297.4	50,100				60
65	83.0	296.4	49,000				65
70	82.0	295.3	47,900				70
75	81.0	294.1	46,800	84.7	290.7	40,400	75
80	80.0	292.9	45,700	83.7	289.4	39,500	80
85	79.0	291.5	44,600	82.6	288.1	38,700	85
90	78.0	290.1	43,500	81.6	286.6	37,800	90
95	77.0	288.5	42,400	80.6	285.0	36,900	95
100	76.0	286.9	41,400	79.6	283.4	36,100	100
105	75.0	285.1	40,500	78.5	281.6	35,300	105
110	73.9	283.3	39,500	77.5	279.7	34,500	110
115	72.9	281.3	38,500	76.4	277.7	33,500	115
120	71.8	279.2	37,600	75.4	275.6	32,500	120
125	70.8	277.1	36,800	74.3	273.4	31,500	125
130	69.7	274.8	35,900	73.2	271.1	30,600	130
135	68.6	272.4	35,100	72.1	268.7	29,700	135
140	67.6	269.9	34,200	71.0	266.2	28,900	140
145	66.5	267.3	33,500	69.9	263.5	28,100	145
150	65.4	264.5	32,700	68.8	260.7	27,400	150
155	64.2	261.6	31,900	67.6	257.8	26,700	155
160	63.1	258.6	31,200	66.5	254.7	26,000	160
165	62.0	255.5	30,500	65.3	251.5	25,300	165
170	60.8	252.2	29,900	64.1	248.2	24,700	170
175	59.6	248.7	29,200	62.9	244.7	24,200	175
180	58.4	245.1	28,600	61.7	241.0	23,600	180
185	57.2	241.4	27,900	60.5	237.2	23,000	185
190	56.0	237.4	27,400	59.2	233.2	22,500	190
195	54.7	233.3	26,800	58.0	229.0	22,000	195
200	53.4	229.0	26,300	56.7	224.6	21,600	200
205	52.1	224.5	25,700	55.3	220.0	21,100	205
210	50.8	219.8	25,200	54.0	215.2	20,600	210
215	49.4	214.9	24,700	52.6	210.2	20,300	215
220	48.1	209.7	24,300	51.1	204.9	19,900	220
225	46.6	204.3	23,800	49.7	199.3	19,500	225
230	45.1	198.6	23,300	48.2	193.4	19,100	230
235	43.6	192.5	23,000	46.6	187.2	18,700	235
240	42.1	186.1	22,500	45.0	180.6	18,400	240
245	40.4	179.4	22,100	43.3	173.6	18,100	245
250	38.7	172.2	21,700	41.5	166.2	17,800	250
255	36.9	164.5	21,200	39.7	158.2	17,500	255
260	35.1	156.3	20,800	37.7	149.6	17,300	260
270	31.0	137.7	20,100	33.4	130.0	16,800	270
280	26.2	115.0	19,300	28.2	105.6	16,400	280
290	20.0	84.8	18,800				290

# MLC300 S-3

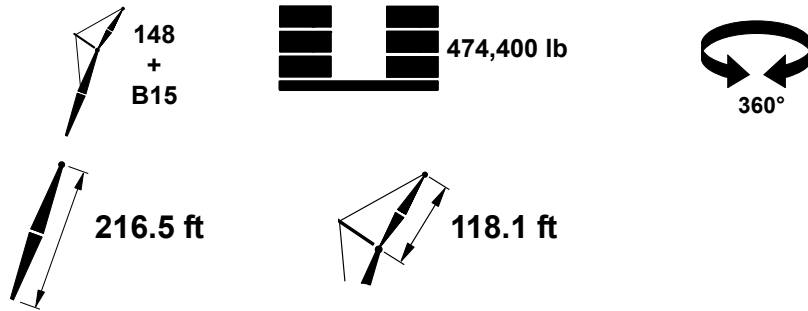
ASME B30.5



ft	10°			20°			ft
	°	ft	lb	°	ft	lb	
60	84.4	317.3	50,100				60
65	83.5	316.4	49,000				65
70	82.6	315.4	48,100				70
75	81.6	314.3	47,000				75
80	80.7	313.1	46,000	84.1	309.6	39,700	80
85	79.7	311.8	45,100	83.1	308.3	38,900	85
90	78.8	310.5	44,100	82.2	306.9	38,100	90
95	77.9	309.0	43,100	81.2	305.4	37,300	95
100	76.9	307.5	42,100	80.2	303.9	36,500	100
105	76.0	305.9	41,200	79.3	302.2	35,800	105
110	75.0	304.2	40,300	78.3	300.5	35,000	110
115	74.0	302.3	39,400	77.3	298.7	34,300	115
120	73.0	300.4	38,600	76.3	296.7	33,400	120
125	72.1	298.4	37,700	75.3	294.7	32,400	125
130	71.1	296.3	36,900	74.3	292.5	31,500	130
135	70.1	294.1	36,100	73.3	290.3	30,700	135
140	69.1	291.8	35,300	72.3	287.9	29,900	140
145	68.1	289.3	34,500	71.3	285.5	29,100	145
150	67.1	286.8	33,800	70.3	282.9	28,400	150
155	66.0	284.2	33,100	69.2	280.2	27,700	155
160	65.0	281.4	32,400	68.2	277.4	27,000	160
165	63.9	278.5	31,700	67.1	274.5	26,300	165
170	62.9	275.5	31,000	66.0	271.4	25,700	170
175	61.8	272.4	30,400	64.9	268.2	25,100	175
180	60.7	269.1	29,800	63.8	264.9	24,500	180
185	59.6	265.7	29,200	62.7	261.5	24,000	185
190	58.5	262.1	28,600	61.6	257.8	23,500	190
195	57.4	258.4	28,000	60.4	254.1	23,000	195
200	56.2	254.6	27,500	59.3	250.1	22,500	200
205	55.0	250.5	26,900	58.1	246.0	22,100	205
210	53.9	246.3	26,500	56.9	241.8	21,600	210
215	52.7	242.0	25,900	55.6	237.3	21,200	215
220	51.4	237.4	25,400	54.4	232.6	20,800	220
225	50.2	232.6	25,000	53.1	227.8	20,400	225
230	48.9	227.6	24,500	51.8	222.7	20,000	230
235	47.6	222.4	24,100	50.4	217.3	19,700	235
240	46.2	216.9	23,700	49.0	211.7	19,300	240
245	44.8	211.2	23,300	47.6	205.8	19,000	245
250	43.4	205.2	22,900	46.2	199.6	18,700	250
255	41.9	198.8	22,500	44.6	193.1	18,400	255
260	40.4	192.1	22,100	43.1	186.2	18,100	260
270	37.2	177.5	21,300	39.7	171.0	17,600	270
280	33.7	160.8	20,500	36.0	153.6	17,000	280
290	29.7	141.4	19,400	31.8	133.0	16,700	290
300	25.0	117.7	16,900				300
310	19.0	86.0	14,400				310

# MLC300 S-3

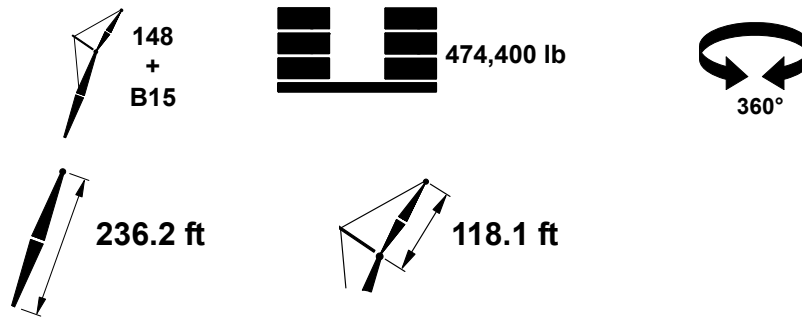
ASME B30.5



ft	10°			20°			ft
	ft	lb	ft	ft	lb	ft	
60	84.7	337.2	49,900				60
65	83.9	336.4	49,000				65
70	83.0	335.4	48,100				70
75	82.1	334.4	47,200				75
80	81.2	333.3	46,300	84.4	329.6	39,800	80
85	80.4	332.1	45,400	83.5	328.4	39,100	85
90	79.5	330.8	44,500	82.6	327.1	38,300	90
95	78.6	329.5	43,600	81.8	325.8	37,600	95
100	77.7	328.0	42,700	80.9	324.3	36,900	100
105	76.8	326.5	41,800	79.9	322.8	36,200	105
110	75.9	324.9	41,000	79.0	321.1	35,500	110
115	75.0	323.2	40,100	78.1	319.4	34,800	115
120	74.1	321.4	39,300	77.2	317.6	34,200	120
125	73.2	319.5	38,600	76.3	315.7	33,300	125
130	72.3	317.6	37,700	75.3	313.7	32,400	130
135	71.3	315.5	37,000	74.4	311.6	31,600	135
140	70.4	313.4	36,200	73.5	309.4	30,700	140
145	69.5	311.1	35,500	72.5	307.2	30,000	145
150	68.5	308.8	34,800	71.6	304.8	29,300	150
155	67.6	306.3	34,100	70.6	302.3	28,600	155
160	66.6	303.7	33,400	69.6	299.7	27,900	160
165	65.6	301.1	32,700	68.6	297.0	27,200	165
170	64.7	298.3	32,100	67.6	294.2	26,700	170
175	63.7	295.4	31,500	66.6	291.2	26,000	175
180	62.7	292.4	30,800	65.6	288.2	25,500	180
185	61.7	289.3	30,200	64.6	285.0	25,000	185
190	60.6	286.0	29,700	63.6	281.7	24,500	190
195	59.6	282.6	29,100	62.5	278.3	24,000	195
200	58.6	279.1	28,600	61.4	274.7	23,500	200
205	57.5	275.5	28,000	60.4	271.0	23,000	205
210	56.4	271.7	27,500	59.3	267.1	22,600	210
215	55.3	267.7	27,000	58.2	263.1	22,100	215
220	54.2	263.6	26,600	57.0	258.9	21,700	220
225	53.1	259.3	26,100	55.9	254.6	21,300	225
230	52.0	254.9	25,700	54.7	250.0	20,900	230
235	50.8	250.2	25,200	53.5	245.3	20,600	235
240	49.6	245.4	24,800	52.3	240.4	20,200	240
245	48.4	240.4	24,300	51.1	235.2	19,800	245
250	47.1	235.1	24,000	49.8	229.8	19,600	250
255	45.9	229.6	23,600	48.5	224.2	19,200	255
260	44.6	223.9	23,200	47.2	218.3	18,900	260
270	41.8	211.5	22,200	44.4	205.6	18,300	270
280	38.9	197.8	19,700	41.4	191.5	17,800	280
290	35.8	182.5	17,300	38.1	175.6	17,300	290
300	32.4	165.2	15,000	34.5	157.4	15,900	300
310	28.5	144.9	12,800	30.4	135.9	13,500	310
320	23.9	120.1	10,600				320
330	18.0	86.9	8,300				330

# MLC300 S-3

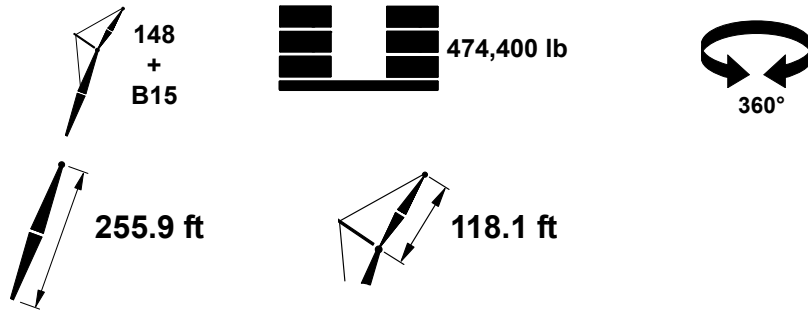
ASME B30.5



	10°			20°			
	ft	°	ft	lb	ft	lb	
65	84.2	356.3	48,800				65
70	83.4	355.4	48,000				70
75	82.6	354.4	47,200				75
80	81.7	353.4	46,400	84.8	349.6	39,800	80
85	80.9	352.3	45,500	83.9	348.5	39,200	85
90	80.1	351.1	44,700	83.1	347.3	38,500	90
95	79.2	349.8	43,900	82.2	346.0	37,800	95
100	78.4	348.5	43,000	81.4	344.6	37,100	100
105	77.6	347.0	42,200	80.5	343.2	36,500	105
110	76.7	345.5	41,500	79.7	341.7	35,800	110
115	75.9	343.9	40,700	78.8	340.0	35,200	115
120	75.0	342.2	39,900	78.0	338.3	34,600	120
125	74.2	340.5	39,200	77.1	336.6	34,000	125
130	73.3	338.6	38,400	76.2	334.7	33,200	130
135	72.4	336.7	37,700	75.3	332.8	32,400	135
140	71.6	334.7	37,000	74.5	330.7	31,600	140
145	70.7	332.6	36,300	73.6	328.6	30,800	145
150	69.8	330.4	35,600	72.7	326.4	30,100	150
155	68.9	328.1	35,000	71.8	324.0	29,400	155
160	68.0	325.7	34,300	70.9	321.6	28,700	160
165	67.1	323.2	33,600	70.0	319.1	28,100	165
170	66.2	320.7	33,100	69.0	316.5	27,500	170
175	65.3	318.0	32,500	68.1	313.8	26,900	175
180	64.4	315.2	31,800	67.2	310.9	26,400	180
185	63.4	312.3	31,200	66.2	308.0	25,800	185
190	62.5	309.3	30,700	65.3	305.0	25,300	190
195	61.5	306.2	30,100	64.3	301.8	24,800	195
200	60.6	302.9	29,600	63.3	298.5	24,400	200
205	59.6	299.6	29,100	62.3	295.1	23,900	205
210	58.6	296.1	28,600	61.3	291.6	23,400	210
215	57.6	292.5	28,100	60.3	287.9	23,000	215
220	56.6	288.7	27,600	59.3	284.1	22,600	220
225	55.6	284.8	27,100	58.2	280.1	22,200	225
230	54.5	280.8	26,700	57.2	276.0	21,800	230
235	53.5	276.6	26,300	56.1	271.8	21,400	235
240	52.4	272.3	25,900	55.0	267.3	21,100	240
245	51.3	267.8	25,400	53.9	262.7	20,700	245
250	50.2	263.1	25,000	52.8	257.9	20,400	250
255	49.1	258.2	23,800	51.6	252.9	20,000	255
260	47.9	253.1	22,500	50.4	247.8	19,700	260
270	45.6	242.3	19,800	48.0	236.7	19,100	270
280	43.1	230.5	17,400	45.4	224.6	18,600	280
290	40.4	217.6	15,000	42.7	211.3	16,300	290
300	37.6	203.3	12,800	39.8	196.6	14,000	300
310	34.5	187.4	10,700	36.7	180.0	11,700	310
320	31.2	169.3	8,700	33.1	161.1	9,500	320
330	27.4	148.2	6,700	29.1	138.7	7,400	330

# MLC300 S-3

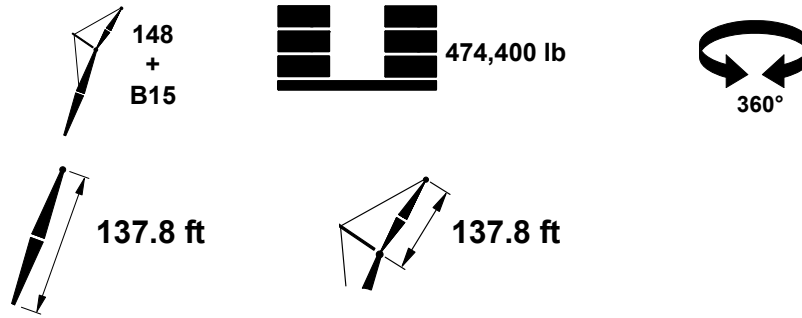
ASME B30.5



	10°			20°			
	ft	°	ft	lb	ft	lb	
65	84.5	376.2	48,300				65
70	83.7	375.4	47,600				70
75	83.0	374.5	46,800				75
80	82.2	373.5	46,100				80
85	81.4	372.4	45,300				85
90	80.6	371.3	44,500	84.2	368.5	39,100	90
95	79.8	370.1	43,900	82.7	366.2	37,800	95
100	79.0	368.8	43,100	81.9	364.9	37,200	100
105	78.2	367.5	42,300	81.1	363.5	36,500	105
110	77.4	366.0	41,600	80.2	362.1	36,000	110
115	76.6	364.5	41,000	79.4	360.6	35,400	115
120	75.8	362.9	40,200	78.6	359.0	34,800	120
125	75.0	361.3	39,500	77.8	357.3	34,300	125
130	74.2	359.6	38,800	77.0	355.5	33,700	130
135	73.4	357.7	38,100	76.2	353.7	32,900	135
140	72.6	355.9	37,500	75.3	351.8	32,200	140
145	71.8	353.9	36,800	74.5	349.8	31,500	145
150	70.9	351.8	36,100	73.7	347.7	30,700	150
155	70.1	349.7	35,500	72.8	345.5	30,100	155
160	69.3	347.4	34,900	72.0	343.3	29,400	160
165	68.4	345.1	34,400	71.1	340.9	28,800	165
170	67.6	342.7	33,700	70.3	338.5	28,300	170
175	66.7	340.2	33,200	69.4	335.9	27,600	175
180	65.9	337.6	32,600	68.5	333.3	27,100	180
185	65.0	334.9	32,000	67.6	330.6	26,600	185
190	64.1	332.1	31,500	66.7	327.7	26,000	190
195	63.2	329.2	31,000	65.8	324.8	25,500	195
200	62.3	326.2	30,400	64.9	321.8	25,000	200
205	61.4	323.1	29,900	64.0	318.6	24,600	205
210	60.5	319.9	29,400	63.1	315.3	24,200	210
215	59.6	316.5	28,900	62.2	311.9	23,700	215
220	58.7	313.1	28,500	61.2	308.4	23,300	220
225	57.7	309.5	28,000	60.3	304.8	22,900	225
230	56.8	305.8	27,600	59.3	301.0	22,500	230
235	55.8	302.0	27,100	58.3	297.2	22,200	235
240	54.8	298.0	26,000	57.3	293.1	21,800	240
245	53.8	293.9	24,500	56.3	288.9	21,500	245
250	52.8	289.6	23,000	55.3	284.6	21,100	250
255	51.8	285.2	21,600	54.2	280.1	20,800	255
260	50.8	280.6	20,200	53.2	275.4	20,500	260
270	48.6	271.0	17,600	51.0	265.6	19,400	270
280	46.4	260.5	15,200	48.7	254.9	16,800	280
290	44.1	249.2	12,900	46.4	243.3	14,400	290
300	41.7	236.9	10,800	43.9	230.7	12,100	300
310	39.1	223.5	8,700	41.2	216.9	9,900	310
320	36.4	208.6	6,800	38.4	201.5	7,800	320

# MLC300 S-3

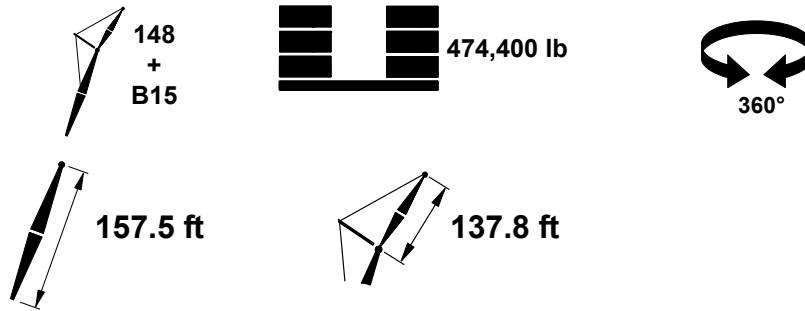
ASME B30.5



	10°			20°			
	ft	°	ft	lb	ft	lb	
55	84.3	278.8	42,900				55
60	83.3	277.9	41,700				60
65	82.2	276.8	40,500				65
70	81.2	275.6	39,200				70
75	80.1	274.4	38,000	84.7	271.5	32,800	75
80	79.0	273.0	36,700	83.6	270.2	31,700	80
85	77.9	271.6	35,600	82.5	268.7	30,700	85
90	76.8	270.0	34,400	81.4	267.1	29,800	90
95	75.8	268.3	33,300	80.3	265.4	28,900	95
100	74.7	266.6	32,300	79.2	263.6	28,000	100
105	73.5	264.7	31,200	78.1	261.7	27,100	105
110	72.4	262.7	30,200	76.9	259.7	26,300	110
115	71.3	260.6	29,200	75.8	257.6	25,500	115
120	70.2	258.3	28,300	74.7	255.3	24,700	120
125	69.0	256.0	27,400	73.5	252.9	24,000	125
130	67.9	253.5	26,500	72.3	250.4	23,300	130
135	66.7	250.9	25,700	71.1	247.8	22,600	135
140	65.5	248.2	24,900	69.9	245.0	21,900	140
145	64.3	245.3	24,100	68.7	242.1	21,300	145
150	63.1	242.3	23,400	67.5	239.1	20,700	150
155	61.9	239.1	22,600	66.3	235.9	20,200	155
160	60.6	235.8	21,900	65.0	232.5	19,600	160
165	59.4	232.4	21,300	63.7	229.0	19,000	165
170	58.1	228.7	20,700	62.4	225.3	18,500	170
175	56.8	224.9	20,000	61.1	221.4	18,000	175
180	55.5	220.9	19,400	59.7	217.3	17,500	180
185	54.1	216.7	18,800	58.4	213.1	17,100	185
190	52.7	212.3	18,400	57.0	208.6	16,600	190
195	51.3	207.7	17,800	55.5	203.9	16,200	195
200	49.9	202.8	17,300	54.0	198.9	15,800	200
205	48.4	197.7	16,800	52.5	193.7	15,400	205
210	46.9	192.3	16,300	51.0	188.2	15,000	210
215	45.3	186.6	15,900	49.4	182.4	14,700	215
220	43.7	180.6	15,500	47.7	176.2	14,300	220
225	42.0	174.2	15,100	46.0	169.6	14,000	225
230	40.2	167.4	14,700	44.2	162.7	13,700	230
235	38.4	160.2	14,300	42.3	155.2	13,400	235
240	36.5	152.4	13,900	40.3	147.1	13,100	240
245	34.5	144.0	13,600	38.2	138.3	12,900	245
250	32.3	134.8	13,200	35.9	128.7	12,600	250
255	30.0	124.7	12,900	33.4	118.1	12,400	255
260	27.4	113.4	12,700	30.7	106.0	12,300	260
270	21.2	85.2	12,100				270

# MLC300 S-3

ASME B30.5

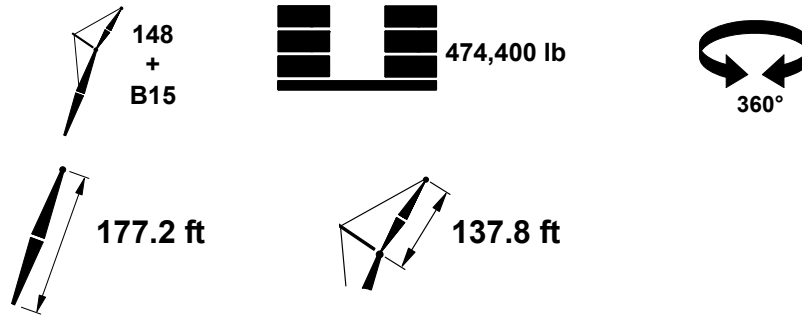


	10°			20°			
	ft	°	ft	lb	ft	lb	
55	84.7	298.8	43,100				55
60	83.7	297.9	41,900				60
65	82.8	296.9	40,800				65
70	81.8	295.8	39,600				70
75	80.8	294.6	38,500				75
80	79.8	293.4	37,400	84.0	290.3	32,000	80
85	78.8	292.0	36,300	83.0	289.0	31,100	85
90	77.8	290.6	35,200	82.0	287.5	30,200	90
95	76.7	289.0	34,200	81.0	285.9	29,300	95
100	75.7	287.4	33,100	80.0	284.3	28,500	100
105	74.7	285.6	32,100	78.9	282.5	27,700	105
110	73.7	283.8	31,200	77.9	280.6	26,900	110
115	72.6	281.8	30,200	76.8	278.6	26,100	115
120	71.6	279.8	29,300	75.8	276.6	25,400	120
125	70.5	277.6	28,500	74.7	274.4	24,700	125
130	69.5	275.3	27,600	73.6	272.1	24,000	130
135	68.4	272.9	26,800	72.5	269.7	23,400	135
140	67.3	270.4	26,000	71.4	267.1	22,800	140
145	66.2	267.8	25,300	70.3	264.5	22,100	145
150	65.1	265.1	24,500	69.2	261.7	21,600	150
155	64.0	262.2	23,800	68.1	258.8	20,900	155
160	62.9	259.2	23,100	66.9	255.7	20,400	160
165	61.7	256.0	22,500	65.8	252.5	19,900	165
170	60.6	252.7	21,900	64.6	249.2	19,300	170
175	59.4	249.3	21,200	63.4	245.7	18,900	175
180	58.2	245.7	20,700	62.2	242.1	18,400	180
185	57.0	242.0	20,200	61.0	238.3	18,000	185
190	55.8	238.1	19,600	59.7	234.3	17,600	190
195	54.5	234.0	19,000	58.4	230.1	17,100	195
200	53.2	229.7	18,500	57.1	225.8	16,600	200
205	51.9	225.2	18,000	55.8	221.2	16,300	205
210	50.6	220.5	17,600	54.5	216.4	15,900	210
215	49.2	215.6	17,100	53.1	211.4	15,500	215
220	47.8	210.4	16,600	51.7	206.1	15,200	220
225	46.4	205.0	16,200	50.2	200.6	14,800	225
230	44.9	199.3	15,800	48.7	194.7	14,500	230
235	43.4	193.3	15,400	47.1	188.6	14,200	235
240	41.9	186.9	15,000	45.5	182.0	13,900	240
245	40.2	180.2	14,700	43.9	175.1	13,600	245
250	38.6	173.0	14,300	42.1	167.7	13,400	250
255	36.8	165.4	13,900	40.3	159.8	13,100	255
260	34.9	157.2	13,700	38.4	151.3	12,900	260
270	30.9	138.8	13,000	34.1	132.0	12,500	270
280	26.1	116.3	12,500	29.0	108.1	12,200	280
290	20.0	86.6	12,100				290



# MLC300 S-3

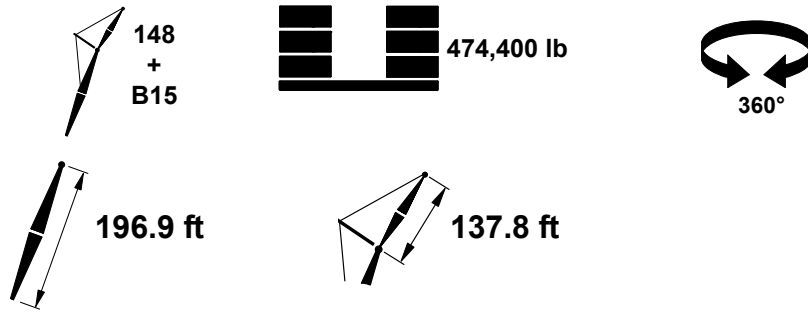
ASME B30.5



ft	10°			20°			ft
	°	ft	lb	°	ft	lb	
60	84.1	317.8	42,100				60
65	83.2	316.9	41,000				65
70	82.3	315.9	40,000				70
75	81.4	314.8	38,900				75
80	80.4	313.6	37,900	84.4	310.4	32,300	80
85	79.5	312.3	36,900	83.5	309.1	31,400	85
90	78.5	311.0	35,900	82.5	307.8	30,500	90
95	77.6	309.5	34,900	81.6	306.3	29,800	95
100	76.7	308.0	33,900	80.6	304.8	28,900	100
105	75.7	306.4	33,000	79.7	303.1	28,200	105
110	74.7	304.7	32,100	78.7	301.4	27,500	110
115	73.8	302.9	31,100	77.7	299.5	26,700	115
120	72.8	301.0	30,300	76.7	297.6	26,000	120
125	71.8	298.9	29,500	75.7	295.6	25,400	125
130	70.8	296.8	28,700	74.7	293.5	24,700	130
135	69.8	294.6	27,800	73.7	291.2	24,100	135
140	68.8	292.3	27,100	72.7	288.9	23,500	140
145	67.8	289.9	26,300	71.7	286.4	22,900	145
150	66.8	287.4	25,600	70.7	283.9	22,300	150
155	65.8	284.7	24,900	69.6	281.2	21,800	155
160	64.8	282.0	24,300	68.6	278.4	21,200	160
165	63.7	279.1	23,600	67.5	275.5	20,700	165
170	62.6	276.1	23,000	66.4	272.4	20,200	170
175	61.6	272.9	22,400	65.4	269.2	19,700	175
180	60.5	269.7	21,800	64.3	265.9	19,200	180
185	59.4	266.3	21,300	63.1	262.5	18,800	185
190	58.3	262.7	20,700	62.0	258.9	18,300	190
195	57.1	259.0	20,200	60.9	255.1	17,900	195
200	56.0	255.2	19,700	59.7	251.2	17,500	200
205	54.8	251.2	19,100	58.5	247.1	17,100	205
210	53.7	247.0	18,700	57.3	242.9	16,700	210
215	52.4	242.6	18,200	56.1	238.4	16,400	215
220	51.2	238.1	17,800	54.8	233.8	16,000	220
225	50.0	233.3	17,400	53.6	228.9	15,700	225
230	48.7	228.3	16,900	52.2	223.9	15,400	230
235	47.4	223.1	16,500	50.9	218.6	15,100	235
240	46.0	217.7	16,100	49.5	213.0	14,700	240
245	44.7	212.0	15,700	48.1	207.1	14,400	245
250	43.2	205.9	15,300	46.7	201.0	14,200	250
255	41.8	199.6	15,000	45.2	194.5	13,800	255
260	40.3	192.9	14,700	43.6	187.6	13,600	260
270	37.0	178.4	14,000	40.3	172.6	13,200	270
280	33.5	161.8	13,400	36.6	155.4	12,700	280
290	29.6	142.5	12,900	32.5	135.1	12,400	290
300	24.9	119.0	12,400	27.5	110.0	12,200	300
310	19.0	87.9	12,100				310

# MLC300 S-3

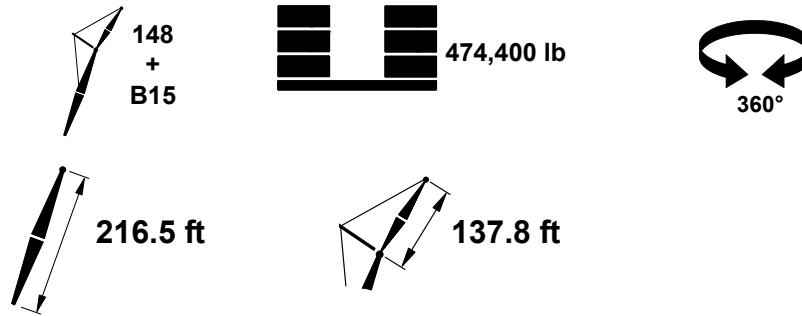
ASME B30.5



ft	10°			20°			ft
	°	ft	lb	°	ft	lb	
60	84.5	337.7	42,100				60
65	83.6	336.9	41,100				65
70	82.7	335.9	40,200				70
75	81.9	334.9	39,200				75
80	81.0	333.8	38,300	84.8	330.5	32,400	80
85	80.1	332.6	37,300	83.9	329.3	31,600	85
90	79.2	331.3	36,400	83.0	328.0	30,800	90
95	78.4	330.0	35,500	82.1	326.6	30,100	95
100	77.5	328.5	34,600	81.2	325.2	29,300	100
105	76.6	327.0	33,700	80.3	323.6	28,600	105
110	75.7	325.4	32,800	79.4	322.0	27,900	110
115	74.8	323.7	31,900	78.5	320.3	27,200	115
120	73.9	321.9	31,100	77.6	318.5	26,600	120
125	72.9	320.1	30,300	76.6	316.6	25,900	125
130	72.0	318.1	29,500	75.7	314.6	25,300	130
135	71.1	316.1	28,700	74.8	312.5	24,700	135
140	70.2	313.9	28,000	73.8	310.3	24,100	140
145	69.2	311.6	27,300	72.9	308.1	23,500	145
150	68.3	309.3	26,600	71.9	305.7	23,000	150
155	67.3	306.9	25,900	71.0	303.2	22,400	155
160	66.4	304.3	25,300	70.0	300.6	21,900	160
165	65.4	301.6	24,700	69.0	297.9	21,400	165
170	64.4	298.9	24,000	68.0	295.1	20,900	170
175	63.4	296.0	23,400	67.0	292.2	20,500	175
180	62.5	293.0	22,800	66.0	289.2	20,000	180
185	61.4	289.9	22,300	65.0	286.0	19,600	185
190	60.4	286.6	21,700	64.0	282.7	19,100	190
195	59.4	283.2	21,300	62.9	279.3	18,700	195
200	58.4	279.7	20,800	61.8	275.7	18,300	200
205	57.3	276.1	20,200	60.8	272.0	17,900	205
210	56.2	272.3	19,700	59.7	268.2	17,500	210
215	55.1	268.3	19,300	58.6	264.2	17,200	215
220	54.0	264.2	18,800	57.5	260.0	16,800	220
225	52.9	260.0	18,400	56.3	255.6	16,400	225
230	51.8	255.5	17,900	55.1	251.1	16,100	230
235	50.6	250.9	17,500	54.0	246.4	15,800	235
240	49.4	246.1	17,200	52.8	241.5	15,500	240
245	48.2	241.1	16,700	51.5	236.4	15,200	245
250	47.0	235.8	16,400	50.3	231.0	14,900	250
255	45.7	230.4	16,000	49.0	225.4	14,600	255
260	44.4	224.6	15,600	47.6	219.6	14,300	260
270	41.7	212.3	15,000	44.8	207.0	13,800	270
280	38.8	198.7	14,400	41.9	193.0	13,400	280
290	35.7	183.5	13,800	38.7	177.2	13,000	290
300	32.3	166.2	13,200	35.1	159.2	12,600	300
310	28.4	146.1	12,800	31.1	138.0	12,300	310
320	23.9	121.6	12,400	26.2	111.7	12,100	320
330	18.1	89.0	11,800				330

# MLC300 S-3

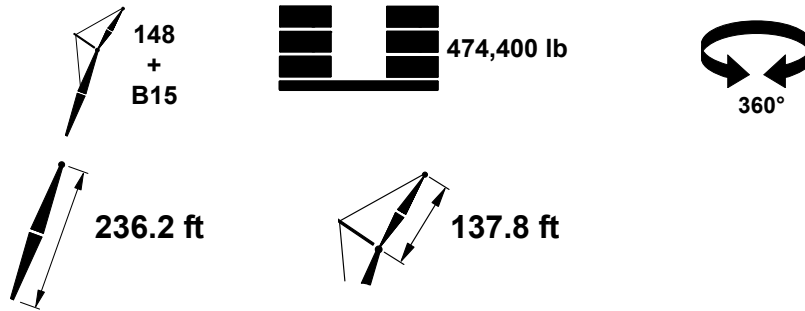
ASME B30.5



ft	10°			20°			ft
	°	ft	lb	°	ft	lb	
60	84.8	357.6	41,700				60
65	84.0	356.8	41,100				65
70	83.2	355.9	40,300				70
75	82.3	355.0	39,400				75
80	81.5	353.9	38,500				80
85	80.7	352.8	37,600	84.2	349.3	31,800	85
90	79.9	351.6	36,800	83.4	348.1	31,000	90
95	79.0	350.3	35,900	82.6	346.8	30,400	95
100	78.2	349.0	35,000	81.7	345.5	29,700	100
105	77.3	347.5	34,200	80.9	344.0	28,900	105
110	76.5	346.0	33,400	80.0	342.5	28,300	110
115	75.7	344.4	32,600	79.2	340.9	27,600	115
120	74.8	342.8	31,800	78.3	339.2	27,000	120
125	73.9	341.0	31,000	77.4	337.4	26,400	125
130	73.1	339.2	30,300	76.6	335.6	25,800	130
135	72.2	337.3	29,600	75.7	333.6	25,200	135
140	71.3	335.2	28,900	74.8	331.6	24,700	140
145	70.5	333.1	28,100	73.9	329.5	24,100	145
150	69.6	330.9	27,500	73.0	327.2	23,600	150
155	68.7	328.7	26,900	72.1	324.9	23,100	155
160	67.8	326.3	26,200	71.2	322.5	22,600	160
165	66.9	323.8	25,600	70.3	320.0	22,100	165
170	66.0	321.2	25,000	69.4	317.4	21,600	170
175	65.1	318.6	24,400	68.5	314.7	21,100	175
180	64.2	315.8	23,800	67.5	311.9	20,700	180
185	63.2	312.9	23,300	66.6	309.0	20,200	185
190	62.3	309.9	22,700	65.6	305.9	19,800	190
195	61.3	306.8	22,200	64.7	302.8	19,400	195
200	60.4	303.5	21,700	63.7	299.5	19,000	200
205	59.4	300.2	21,200	62.7	296.1	18,600	205
210	58.4	296.7	20,700	61.7	292.6	18,200	210
215	57.4	293.1	20,300	60.7	288.9	17,900	215
220	56.4	289.4	19,800	59.7	285.1	17,500	220
225	55.4	285.5	19,400	58.6	281.2	17,200	225
230	54.4	281.5	19,000	57.6	277.1	16,800	230
235	53.3	277.3	18,600	56.5	272.8	16,500	235
240	52.2	272.9	18,100	55.4	268.4	16,200	240
245	51.1	268.4	17,700	54.3	263.8	15,900	245
250	50.0	263.8	17,300	53.2	259.1	15,600	250
255	48.9	258.9	17,000	52.0	254.1	15,300	255
260	47.8	253.8	16,600	50.9	248.9	15,000	260
270	45.4	243.0	15,900	48.4	237.9	14,500	270
280	42.9	231.3	15,300	45.9	225.9	14,000	280
290	40.3	218.4	14,700	43.2	212.7	13,600	290
300	37.5	204.2	14,100	40.3	198.1	13,200	300
310	34.4	188.4	13,600	37.2	181.7	12,800	310
320	31.1	170.4	12,100	33.7	162.9	12,500	320
330	27.4	149.4	10,200	29.7	140.8	11,000	330
340	22.9	124.0	8,200	25.0	113.3	8,800	340

# MLC300 S-3

ASME B30.5



ft	10°			20°			ft
	°	ft	lb	°	ft	lb	
65	84.3	376.7	40,700				65
70	83.5	375.9	40,100				70
75	82.7	375.0	39,400				75
80	82.0	374.0	38,600				80
85	81.2	372.9	37,800				85
90	80.4	371.8	37,000	84.5	369.4	31,800	90
95	79.6	370.6	36,200	83.0	367.0	30,500	95
100	78.8	369.3	35,400	82.2	365.7	29,900	100
105	78.0	368.0	34,600	81.4	364.3	29,200	105
110	77.2	366.6	33,900	80.6	362.9	28,600	110
115	76.4	365.1	33,200	79.8	361.4	28,000	115
120	75.6	363.5	32,400	78.9	359.8	27,400	120
125	74.8	361.8	31,700	78.1	358.1	26,800	125
130	74.0	360.1	31,000	77.3	356.4	26,200	130
135	73.2	358.3	30,300	76.5	354.6	25,700	135
140	72.4	356.4	29,600	75.7	352.6	25,100	140
145	71.6	354.4	28,900	74.8	350.6	24,600	145
150	70.7	352.4	28,200	74.0	348.6	24,100	150
155	69.9	350.2	27,600	73.1	346.4	23,600	155
160	69.1	348.0	27,000	72.3	344.1	23,200	160
165	68.2	345.7	26,400	71.4	341.8	22,600	165
170	67.4	343.3	25,800	70.6	339.4	22,200	170
175	66.5	340.8	25,300	69.7	336.8	21,700	175
180	65.7	338.2	24,700	68.9	334.2	21,300	180
185	64.8	335.5	24,100	68.0	331.5	20,800	185
190	63.9	332.7	23,600	67.1	328.7	20,500	190
195	63.0	329.8	23,100	66.2	325.7	20,100	195
200	62.1	326.8	22,600	65.3	322.7	19,700	200
205	61.2	323.7	22,100	64.4	319.5	19,300	205
210	60.3	320.5	21,600	63.5	316.3	18,900	210
215	59.4	317.1	21,200	62.5	312.9	18,500	215
220	58.5	313.7	20,700	61.6	309.4	18,200	220
225	57.5	310.1	20,400	60.6	305.8	17,900	225
230	56.6	306.4	19,900	59.7	302.1	17,600	230
235	55.6	302.6	19,500	58.7	298.2	17,200	235
240	54.6	298.7	19,100	57.7	294.1	16,900	240
245	53.7	294.5	18,700	56.7	290.0	16,600	245
250	52.6	290.3	18,300	55.7	285.7	16,300	250
255	51.6	285.9	18,000	54.6	281.2	16,000	255
260	50.6	281.3	17,600	53.6	276.5	15,700	260
270	48.5	271.7	16,800	51.4	266.7	15,200	270
280	46.3	261.3	16,200	49.2	256.1	14,700	280
290	44.0	250.0	15,600	46.8	244.6	14,300	290
300	41.5	237.7	13,800	44.3	232.0	13,800	300
310	39.0	224.3	11,800	41.7	218.3	13,200	310
320	36.2	209.6	9,900	38.9	203.0	11,200	320
330	33.3	193.1	8,000	35.8	185.9	9,200	330
340				32.4	166.4	7,200	340