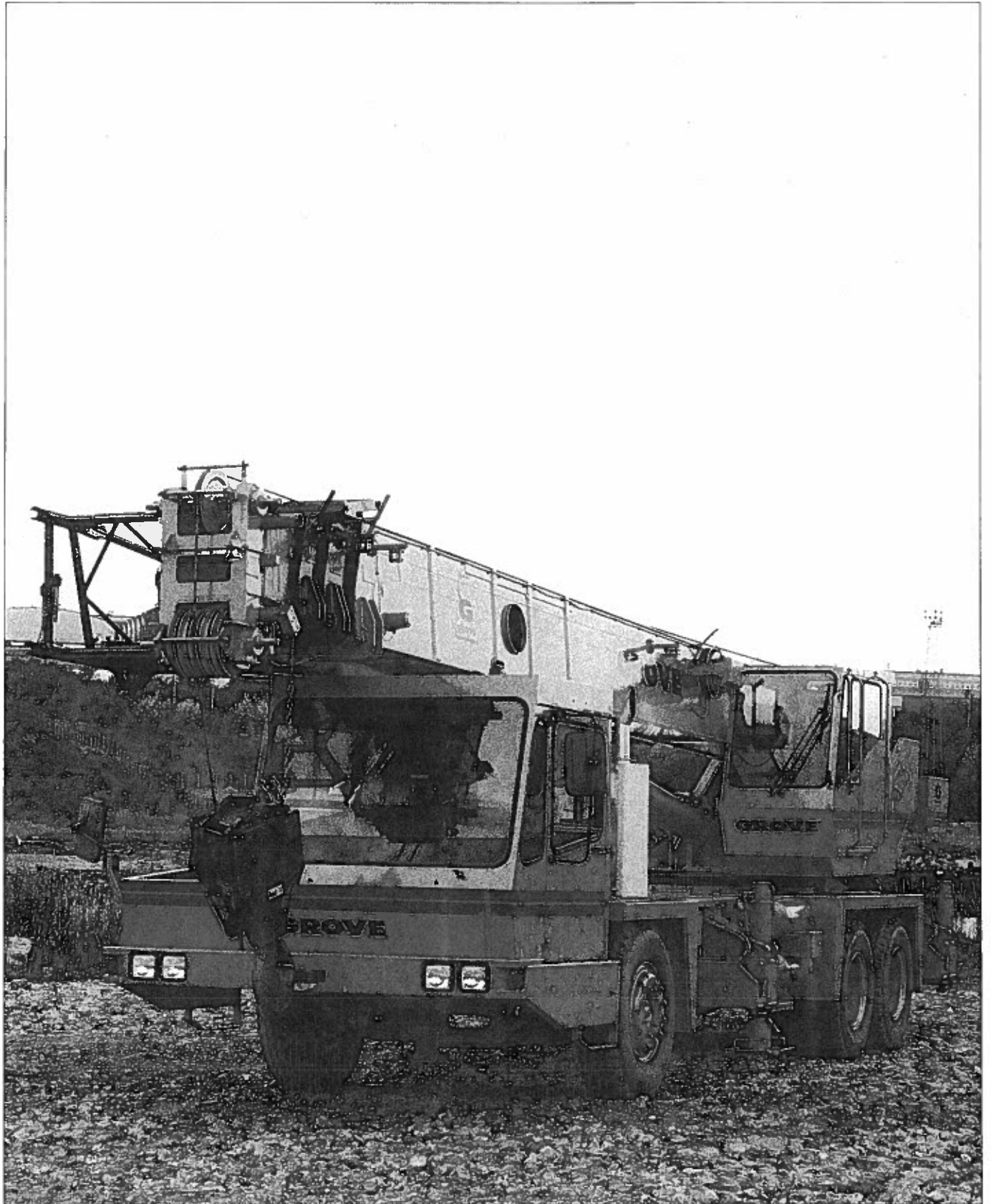




**GROVE**<sup>®</sup>  
worldwide

# TMS635BE

Truck Mounted Hydraulic Crane/Grue sur Camion  
Autokran/Grúa sobre Camión



## Superstructure specification

<b>Boom</b>	10.40 to 32.00 (34ft to 105ft) four section †Trapezoidal full power main boom. Maximum tip height 34.54m (113ft 4in).
<b>Stowaway jib</b>	4.50m to 7.60m (14ft 9in to 25ft) telescopic A-frame jib offsettable at 0°, 15° and 30°. Maximum tip height 42.00 (138ft).
<b>*Optional telescopic swingaway</b>	7.60m to 10.40 or 13.10m (25ft to 34ft or 43ft) telescopic lattice swingaway offsettable at 2°, 17° or 32°. Maximum tip height 47.60m (156ft).
<b>Boom nose</b>	Five sheaves mounted on heavy duty tapered roller bearings.
<b>Boom elevation</b>	Elevation from -3.5° to 81.5°.
<b>Load moment and anti-two block system</b>	Standard load moment and anti-two block system with audio visual warning and control lever lockout.
<b>Cab</b>	Acoustically treated, deluxe seat with armrest mounted joy-stick controllers and full instrumentation.
<b>Swing</b>	360° continuous rotation. Grove planetary Glide-swing with foot applied multi-disc wet brake. Spring applied parking brake. Maximum swing speed 2.15 rpm.
<b>Counterweight</b>	Total weight 3000kg (6614lb) permanently fixed to superstructure. *Optional 4550kg (10,030lb) counterweight in lieu of standard.

### HYDRAULIC SYSTEM

<b>Pumps</b>	Three-section gear type pump, combined capacity 352 litres/min (93 US gallons/min).
<b>Valves</b>	Precision four-way double-acting pilot operated control valves.
<b>Filter</b>	Three delivery line filters, full flow with by-pass protection and service indication.
<b>Reservoir</b>	400 litres (105 US gallons).
<b>Oil cooler</b>	Remote-mounted thermostatically controlled electric motor fan driven.
<b>Pressure test panel</b>	System pressure test panel.

### HOIST SPECIFICATIONS

	Grove HO15G-20G Main Hoist		Grove HO15G-20G *Auxiliary Hoist
	Low Speed	High Speed	Single Speed
<b>Maximum single line speed</b>			
Bottom layer	40m/min (132ft/min)	81m/min (264ft/min)	40m/min (132ft/min)
Second layer	43m/min (142ft/min)	87m/min (285ft/min)	43m/min (142ft/min)
Third layer	47m/min (153ft/min)	93m/min (305ft/min)	47m/min (153ft/min)
Fourth layer	50m/min (163ft/min)	99m/min (326ft/min)	50m/min (163ft/min)
<b>Maximum available single line pull</b>			
Bottom layer	5049kg (11131lb)	5049kg (11131lb)	5049kg (11131lb)
Second layer	4685kg (10328lb)	4685kg (10328lb)	4685kg (10328lb)
Third layer	4372kg (9638.4lb)	4372kg (9638.4lb)	4372kg (9638.4lb)
Fourth layer	4098kg (9034.4lb)	4098kg (9034.4lb)	4098kg (9034.4lb)
<b>Maximum permissible line pull</b>	3466kg (7641.1lb)		3466kg (7641.1lb)
<b>Maximum rope stowage</b>	302m x 14mm (990ft x 7/16in)		302m x 14mm (990ft x 7/16in)
<b>Standard rope supplied</b>	160m x 14mm (525ft x 7/16in)		120m x 14mm (393ft x 7/16in)

## Carrier specification

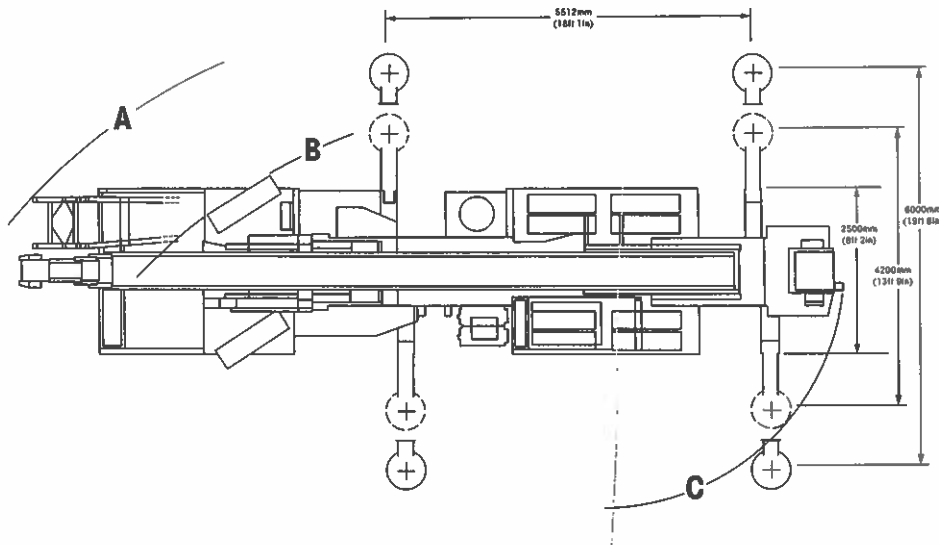
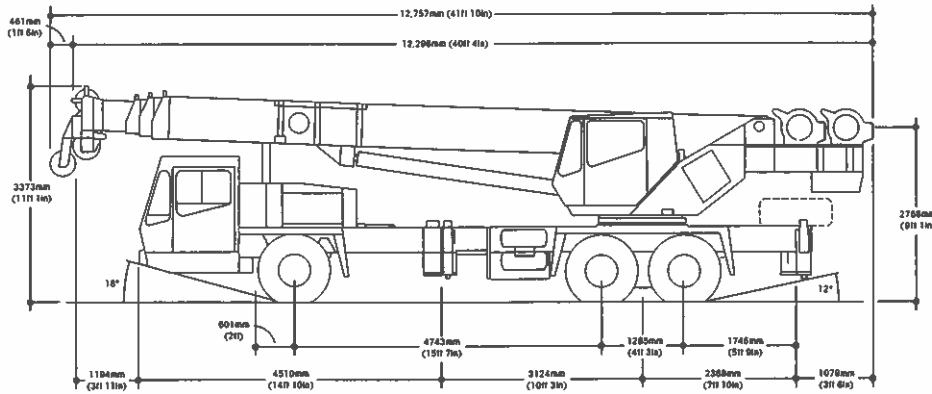
<b>Frame</b>	High strength steel, all-welded box section design.
<b>Outrigger system</b>	Hydraulic single stage, double box with telescoping beams. *Optional partial outrigger extension.
<b>Front stabiliser</b>	Fifth hydraulic vertical stabiliser.
<b>Outrigger controls</b>	Located on both sides of the carrier.
<b>Engine</b>	Cummins 6CT8.3 six cylinder turbo-charged water-cooled diesel. 8.3 litre, 157kW (211hp) @ 2400rpm. Torque 757Nm (558lbft) @ 1500rpm.
<b>Fuel tank</b>	296 litre (78 US gallon) capacity.
<b>Electrical system</b>	24V (including starting)
<b>Drive</b>	6 x 4
<b>Steering</b>	Power assisted heavy duty ball and nut type.
<b>Transmission</b>	Manual, 9 forward and two reverse speeds.
<b>Axles</b>	Front - Steer Rear - Drive (tandem)
<b>Suspension</b>	Front - multi-leaf spring Rear - leaf spring over equalising beam.
<b>Brakes</b>	Dual line full air acting on all wheels.
<b>Tyres</b>	Front - two 13.00 R22.5 Rear - eight 11.00 R22.5 (twins)
<b>*Optional tyres</b>	Rear - eight 12.00 R22.5 (twins)
<b>Lights</b>	Full lighting conforming to EEC regulations.
<b>Cab</b>	Two man, left hand drive, deluxe fully adjustable seats, complete driving controls and engine instrumentation.
<b>Maximum speed</b>	80kph (50mph)
<b>Gradeability</b>	45%
<b>Gross vehicle weight and axle loads</b>	GVW - 26296kg (57971lb) Front - 6677kg (14720lb) Rear - 19619kg (43251lb)
<b>Miscellaneous standard equipment</b>	Access ladder, back up alarm, opening skylight, maintenance tool kit.
<b>*Optional equipment</b>	Hookblocks, Hoist drum rotation indicator, auxiliary hoist, auxiliary boom nose, spot lights, rotating beacons, radio cassette player, stowage locker.

\* Indicates optional item

† Indicates Grove feature or patent pending.

Dimensions/Dimensions  
Abmessungen/Dimensiones

<b>A</b>	<b>12,500mm (41ft)</b>
<b>B</b>	<b>10,633mm (34ft 11in)</b>
<b>C</b>	<b>3607mm (11ft 10in)</b>



Constant improvement and engineering progress make it necessary that we reserve the right to make specification, equipment and price changes without notice. Illustrations shown may include optional equipment and accessories and may not include all standard equipment. Optional equipment is designated by (\*) in specifications folder.

Du fait de sa politique d'amélioration constante de ses produits liée au progrès technique, la Société se réserve le droit de procéder sans préavis à des changements de spécifications, d'équipement ou de prix. Les illustrations peuvent comporter des équipements ou accessoires optionnels ou ne pas comporter des équipements standards. Les équipements optionnels sont repérés par le signe (\*) figurant sur les documentations commerciales.

Wir verbessern unsere Produkte ständig und integrieren den technischen Fortschritt. Aus diesem Grund behalten wir uns das Recht vor, die technischen Daten, die Ausstattungsdetails und die Preise unserer Maschinen ohne Vorankündigung zu ändern. Die Abbildungen zeigen z.T. Sonderausstattungen (\*) zeigt Zusatzeinrichtungen auf Wunsch.

El perfeccionamiento constante y el avance tecnológico hacen necesario que la empresa se reserve el derecho de efectuar cambios en las especificaciones, equipo y precios sin previo aviso. En las ilustraciones se puede incluir equipo y accesorios opcionales y es posible que no se muestre el equipo normal. El equipo opcional se designa por un (\*) en el folleto de especificaciones.



**Grove Worldwide – World Headquarters**  
1565 Buchanan Trail East, Shady Grove, Pennsylvania 17256, USA  
Tel: [International +1] (717) 597-8121  
Telex: 1842308 Fax: [International +1] (717) 597-4062

*Western Hemisphere, Asia/Pacific*

**Grove North America**  
PO Box 21, Shady Grove, Pennsylvania 17256, USA  
Tel: [International +1] (717) 597-8121  
Telex: 1842308 Fax: [International +1] (717) 597-4062

*Europe, Africa, Middle East, Near East*

**Grove Europe\***  
Sunderland SR4 6TT, England  
Tel: [International +44] 091-565 6281  
Telex: 53484 CRANES G Fax: [International +44] 091-564 0442

\*Grove Europe Limited. Registered in England, Number 1845128.  
Registered office: Crown Works, Pallion, Sunderland Tyne & Wear SR4 6TT, England

Distributed by/Distribué par/Überreicht durch/Distribuidor