

# GROVE®

## FULL HYDRAULIC SELF-PROPELLED CRANE

# RT63S 30 TON CAP.

32' - 80' BOOM RATED LIFTING CAPACITIES  
PCSA CLASS 12-123

29' - 92' BOOM  
PCSA CLASS 12-110

OUTRIGGERS FULLY EXTENDED - 360°

OUTRIGGERS FULLY EXTENDED - 360°

Radius in Feet	Boom Length in Feet								
	32	38	44	50	56	62	68	74	80
12	60,000	50,000	48,500	42,500	40,000				
15	48,500	42,000	40,000	37,000	34,500	28,000	26,000		
20	34,000	28,000	31,000	28,500	26,000	25,500	21,000	20,000	
25	25,000	23,000	25,000	25,000	24,000	23,000	21,500	20,750	18,000
30		18,000	18,000	17,750	17,750	17,500	17,000	17,000	
35			15,200	15,200	15,200	15,200	15,200	15,200	
40			12,300	12,300	12,300	12,300	12,300	12,300	
50				8,500	8,500				
60						5,900	5,900	5,900	
70							4,000	4,000	
75								3,300	

Radius in Feet	Boom Length in Feet Manual Fly Retracted									Manual Fly Ext. 92'
	32	38	44	50	56	62	68	71	71	
12	60,000	50,000	48,500	42,500	40,000					
15	48,500	42,000	40,000	37,000	34,500	28,000	26,000			
20	34,000	32,500	31,000	28,500	26,000	25,500	21,000	20,000		
25	23,000	22,300	21,700	21,100	20,000	19,000	18,000	17,000	17,000	11,500
30		16,300	16,300	16,300	16,300	16,000	15,500	15,000	15,000	11,000
40			11,000	11,000	10,500	10,000	10,000	10,000	10,000	8,500
50					6,700	6,600	6,500	6,500	6,500	6,500
60							4,100	4,100	4,100	4,100
70										3,300
80										2,300
88										1,500

\*Indicates maximum capacity of Extended Fly Section, regardless of Boom Length.

Capacities appearing in the shaded area are based upon structural strength when lifting over the side. All capacities over the front are based on structural strength and machine stability should not be relied upon as the capacity limitation.

ON RUBBER - FRONT

Radius in Feet	Boom Length in Feet								
	32	38	44	50	56	62	68	74	80
12	40,000	40,000	40,000	40,000	38,000				
15	35,000	35,000	35,000	34,000	33,000	27,000	25,000		
20	23,000	23,000	23,000	23,000	23,000	23,000	21,000	20,000	
25		16,000	16,000	16,000	16,000	16,000	16,000	16,000	
30		12,000	12,000	12,000	12,000	12,000	12,000	12,000	
35			8,500	8,500	8,500	8,500	8,500	8,500	
40				7,000	7,000	7,000	7,000	7,000	
50							4,500	4,500	
60								3,000	3,000
70									1,800
75									1,300

ON RUBBER - FRONT

Radius in Feet	Boom Length in Feet Manual Fly Retracted									Manual Fly Ext. 92'
	32	38	44	50	56	62	68	71	71	
12	40,000	40,000	40,000							
15	35,000	35,000	35,000	35,000	33,000	25,000				
20	23,000	23,000	23,000	23,000	23,000	23,000	20,000	20,000		
25			16,000	16,000	16,000	16,000	16,000	16,000	16,000	
30			12,000	12,000	12,000	12,000	12,000	12,000	12,000	
40				7,300	7,300	7,300	7,300	7,300	7,300	
50					4,200	4,200	4,200	4,200	4,200	
60							2,700	2,700	2,700	
70								1,000	1,000	

Operation with Manual Fly Extended is not Recommended

Capacities appearing in the shaded area are based upon structural strength and machine stability should not be relied upon as the capacity limitation.

ON RUBBER - 360°

Radius in Feet	Boom Length in Feet								
	32	38	44	50	56	62	68	74	80
10	34,500	34,500	34,500						
12	25,000	25,000	25,000	25,000	25,000	25,000	25,000		
15	16,000	16,000	16,000	16,000	16,000	16,000	16,000		
20	11,400	11,400	11,400	11,400	11,400	11,400	11,400	11,400	
25		8,000	8,000	8,000	8,000	8,000	8,000	8,000	8,000
30			5,000	5,000	5,000	5,000	5,000	5,000	5,000
35			3,000	3,000	3,000	3,000	3,000	3,000	3,000
40				2,000	2,000	2,000	2,000	2,000	2,000
50					550	550	550	550	550

ON RUBBER - 360°

Radius in Feet	Boom Length in Feet Manual Fly Retracted									Manual Fly Ext. 92'
	32	38	44	50	56	62	68	71	71	
10	34,500	34,500	34,500							
12	25,000	25,000	25,000	25,000	25,000	25,000				
15	15,000	15,000	15,000	15,000	15,000	15,000				
20	11,000	11,000	11,000	11,000	11,000	11,000	11,000	11,000	11,000	
25			8,000	8,000	8,000	8,000	8,000	8,000	8,000	
30				5,000	5,000	5,000	5,000	5,000	5,000	
40					2,300	2,300	2,300	2,300	2,300	
50						1,000	1,000	1,000	1,000	

Operation with Manual Fly Extended is not Recommended

All capacities do not exceed 85% of tipping loads. Do not exceed rated lifting capacities.

### NOTES TO LIFTING CAPACITIES

- Rated lifting capacities are based on freely suspended loads. They are the maximum covered by the manufacturer's warranty with the machine leveled and standing on a firm supporting surface. Ratings with outriggers are based on outriggers being extended to their maximum positions.
- Practical working loads for each particular job shall be established by the user depending on operating conditions; including the supporting surface, wind and other factors affecting stability, hazardous surroundings, experience of personnel, handling of load, etc. Operating radius is the horizontal distance from the axis of rotation to the centerline of the hoist line or tackle with loads applied.
- "On Rubber" lifting (if permitted) depends on proper tire inflation, capacity, and condition. "On Rubber" loads may be transported at a maximum vehicle speed of 2.5 mi/hr. (4 km./hr.) on a smooth and level surface only.
- Jibs may be used for single line lifting crane service only. Jib capacities are based on structural strength of jib or main boom. Jib loads must not exceed main boom lifting capacities for the actual operating radius.
- Operation is not intended or approved for any conditions outside of those shown hereon. Handling of personnel from the boom is not authorized except with equipment furnished and installed by Grove Manufacturing Company.
- For clamshell or concrete bucket operation, weight of bucket and load must not exceed 90% of rated lifting capacities.
- Power-telescoping boom sections must be extended equally at all times. Long cantilever booms can create a tipping condition when in extended and lowered position.
- The maximum load which may be telescoped is limited by hydraulic pressure, boom angle, boom lubrication, etc. It is safe to attempt to telescope any load within the limits of rated lifting capacity chart.
- With certain boom and hoist tackle combinations, maximum capacities may not be obtainable with standard rope lengths.
- With certain boom and load combinations, raising of load with boom lift cylinders may not be possible. Operational safety is not affected by this condition.
- Keep load handling devices a minimum of 12 inches (30 CM) below boom head when lowering or extending boom.
- For multiple part reeving, use one part of line for each 7,500 lbs. of load.
- All load handling devices and/or boom attachments are considered part of the load and suitable allowances must be made.

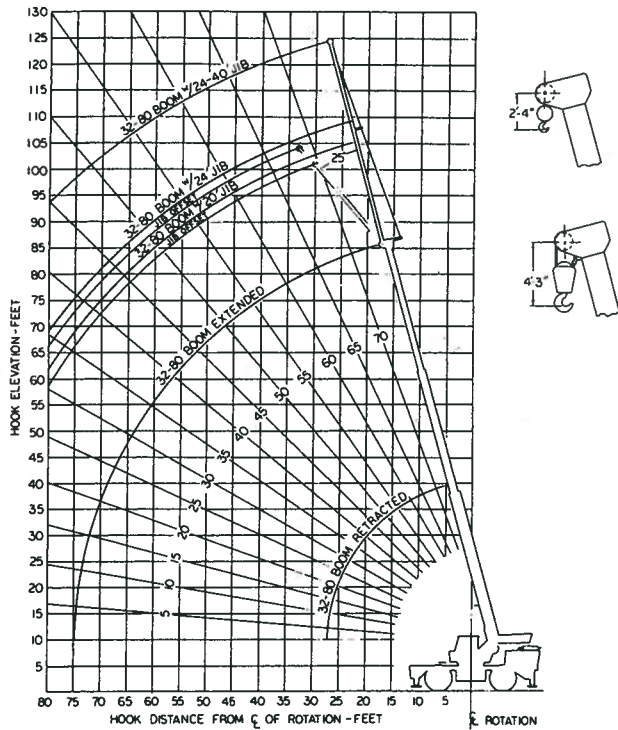
Capacities for 24'-60' Boom available upon request.



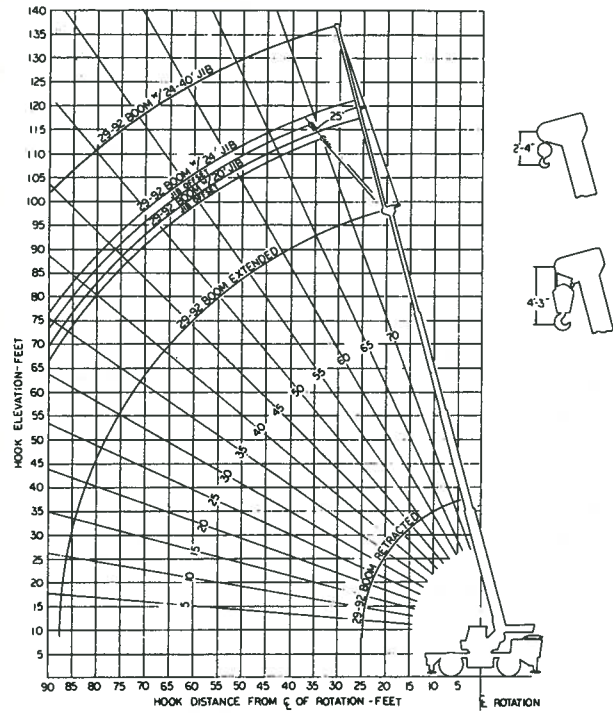
# GROVE®

# RT63S

**RANGE DIAGRAM  
32' - 80' BOOM**



**RANGE DIAGRAM  
29' - 92' BOOM**



**32'-80' BOOM - JIB CAPACITIES**

**20' Jib**

MIN. BOOM ANGLE	NO OFFSET	MAX. OFFSET (25°)
75	9000	5200
70	6750	4450
65	5275	3450
60	4300	2775
55	3600	2325
50	3125	1975
45	2725	1725
40	2450	1525
35	2225	1375
30	2050	1275
25	1900	1175

**24' Jib**

MIN. BOOM ANGLE	NO OFFSET	MAX. OFFSET (26°)
75	6400	3100
70	5150	2850
65	4350	2650
60	3700	2450
55	3300	2275
50	2950	2170
45	2650	2125
40	2550	2085
35	2475	2040
30	2400	2000
26	2300	1950

**24' - 40' JIB**

MIN. BOOM ANGLE	24' NO OFFSET	26° OFFSET	40' NO OFFSET
75	6,000	2,700	3,200
70	4,750	2,550	2,700
65	4,000	2,375	2,050
60	3,500	2,300	1,750
55	3,150	2,200	1,400
50	2,900	2,170	1,000
45	2,650	2,125	
40	2,550	2,085	
35	2,475	2,040	
30	2,400	2,000	
26	2,300	1,950	

**29'-92' BOOM - JIB CAPACITIES**

**20' Jib**

MIN. BOOM ANGLE	NO OFFSET	26° OFFSET
75	4400	2150
70	4150	2000
65	3875	1825
60	3600	1725
55	3350	1575
50	3075	1475
45	2800	1350
40	2525	1175
35	2250	1075
30	1975	950
25	1700	800

**24' Jib**

MIN. BOOM ANGLE	NO OFFSET	26° OFFSET
75	4000	1800
70	3750	1700
65	3500	1550
60	3250	1475
55	3000	1350
50	2750	1250
45	2500	1150
40	2250	1000
35	2000	900
30	1750	800
26	1500	675

**24' - 40' JIB**

MIN. BOOM ANGLE	24' NO OFFSET	24' MAX. OFFSET 26°	40' NO OFFSET
75	3500	1500	2000
70	3200	1400	1600
65	2900	1300	1300
60	2650	1200	1000
55	2400	1100	800
50	2150	1000	600
45	1950	900	
40	1750	750	
35	1600	650	
30	1450	550	
26	1300	400	



**GROVE MANUFACTURING COMPANY**

A DIVISION OF WALTER KIDDE & COMPANY, INC.

SHADY GROVE • PENNSYLVANIA 17256

MEMBER: POWER CRANE & SHOVEL ASSOCIATION

FORM 593672-10M

Printed in U.S.A.

Distributed by: