



**GROVE**<sup>®</sup>  
worldwide



# RT6000B Series

Rough-Terrain Hydraulic Crane Specifications



# Superstructure specifications

<b>Boom</b>	32 ft. to 80 ft. (9.8m - 24.4m) three section Trapezoidal† full power boom. Telescoping is mechanically synchronized with single lever control. Telescopic sections slide on adjustable and replaceable wear pads. Maximum Tip Height: 88 ft. (26.8m).
<b>Swingaway Extension</b>	30 ft. (9.3m) lattice swingaway boom extension stows alongside base boom section when not in use, offsettable at 0°, 15° or 30°. Maximum Tip Height - 117 ft. (35.6m).
<b>Optional Telescopic Swingaway</b>	30 ft. to 42 ft. or 54 ft. (9.3 to 12.8m or 16.4m) telescopic lattice Swingaway extension with offset links, offsettable at 0°, 15°, or 30°. Stows alongside base boom when not in use. Maximum Tip Height - 140 ft. (42.7m).
<b>Boom Nose</b>	Four sheaves mounted on heavy duty tapered roller bearings with removable pin-type rope guards. *Optional removable auxiliary boom nose with removable pin type rope guard.
<b>Boom Elevation</b>	Two double acting hydraulic cylinders with integral holding valve provides elevation from -2.5° to 75°.
<b>Load Moment &amp; Anti-Two Block System</b>	Standard load moment and anti-two block system with audio-visual warning and control lever lockout. These systems provide electronic display of boom angle, length, radius, tip height, relative load moment, maximum permissible load, load indication and warning of impending two-block conditions.
<b>Cab</b>	Full vision, all steel fabricated with accoustical lining and tinted safety glass throughout. Deluxe seat incorporates armrest mounted hydraulic joystick controls. Dash panel incorporates gauges for all engine functions. Other standard features include: telescoping tilt steering wheel, sliding side and rear windows, electric windshield wash-wipe, circulating air fan, manual skylight wiper, swing horn, fire extinguisher, seat belt and ashtray.
<b>Swing</b>	Ball bearing swing circle with 360° continuous rotation. Grove planetary glide-swing with foot applied multi-disc brake. Spring applied hydraulically released parking brake and plunger type, 2 position, mechanical house lock operated from cab. Maximum speed: 3.3 RPM.
<b>Counterweight</b>	Removeable, bolted to turntable mast.

## HYDRAULIC SYSTEM

<b>Pumps</b>	3 main gear pumps, combined capacity 112.5 G.P.M. (426 LPM) driven by carrier engine through P.T.O. *Optional pump disconnect with engine jogging switch.
<b>Valves</b>	Precision four way double acting pilot operated control valves, 3 individual valve banks permit simultaneous control of multiple crane functions.
<b>Filter</b>	Return line type, full flow with bypass protection and service indicator. Replaceable cartridge with micron filtration rating of 7/17/22.
<b>Reservoir</b>	88 gallon (333 L) with spin-on breather filter, external sight gauge, clean out access, strap mounted to frame.
<b>Oil Cooler</b>	Remote mounted with thermostatically controlled electric motor driven fan.
<b>Pressure Check Panel</b>	System pressure test panel permits easy verification of circuit pressures.

## HOIST SPECIFICATIONS

Power up and down equal speed, planetary reduction with automatic spring applied multi-disc brake and hoist drum cable follower.

Make/Model		Main hoist Grove H015D-20	*Auxiliary hoist Grove H015D-20
<b>Maximum single line speed</b>	Bottom layer	274 FPM (84m/min)	147 FPM (45m/min)
	Intermediate layer	323 FPM (98m/min)	174 FPM (53m/min)
	Top layer	348 FPM (106m/min)	187 FPM (57m/min)
<b>Maximum single line pull</b>	Bottom layer	10,020 lbs. (4545 kg)	10,020 lbs. (4545 kg)
	Intermediate layer	8,485 lbs. (3849 kg)	8,485 lbs. (3849 kg)
	Top layer	7,879 lbs. (3574 kg)	7,879 lbs. (3574 kg)
<b>Maximum permissible single line pull w/5:1 Strength Factor</b>		9,080 lbs. (4119 kg)	9,080 lbs. (4119 kg)
<b>Maximum rope stowage</b>		451 ft. (137m) 5/8 in. (16mm)	451 ft. (137m) 5/8 in. (16mm)
<b>Hoist options</b>	Electronic hoist drum rotation indicators.		

†Patented Grove feature or patent pending.

\*Denotes optional equipment.



# Carrier specifications

<b>Frame</b>	High strength alloy steel all welded box-type construction with integral outrigger housings and front/rear lifting, towing and tie down lugs.
<b>Outrigger System</b>	Hydraulic single stage double box telescopic beam and 'inverted' jack outriggers with integral holding valves. All steel fabricated quick release type outrigger floats. 16 1/2" (429mm) square.
<b>Outrigger Controls</b>	Located in cab on front dash panel requires two hand operation. Crane level indicator located in cab.
<b>Engine</b>	Cummins 6BT 5.9L six cylinder turbo-charged water cooled diesel - 5.9 liters, 125 bhp (93 kw) (Gross) at 2,800 RPM. Maximum torque 325 ft. lbs. (45 kg/m) @ 1,700 RPM.
<b>Optional Engine</b>	Deutz F6L912 six cylinder naturally aspirated air cooled diesel - 5.7 liters, 121 bhp (90 kw) (Gross) @ 2,650 RPM. Maximum torque 265 ft. lbs. (37 kg/m) @ 1,500 RPM.
<b>Fuel Tank Capacity</b>	60 gallons (227 liters)
<b>Electrical System</b>	Two 12 volt - maintenance free batteries, 625 CCA @ 0°F. 24 volt starting.
<b>Drive</b>	4 x 4.
<b>Steering</b>	Fully independent power steering: Front: Full hydraulic controlled by steering wheel. Rear: Full hydraulic hand lever controlled. Provides infinite variations of 4 main steering modes - front only, rear only, crab and coordinated. *Optional rear wheel steer indicator.
<b>Transmission</b>	Remote mounted powershift with 6 speeds forward and 6 reverse, 3 in high range, 3 in low range. Rear axle disconnect for 4 x 2 travel.
<b>Axes</b>	Front: Drive-steer with differential and planetary reduction hubs, rigid mounted to the chassis. Rear: Drive-steer with differential and planetary reduction hubs, pivot mounted at center of chassis frame, providing up to 12" of oscillation (305mm). Optional: *No-spin differential on rear axle.
<b>Oscillation Lockouts</b>	Automatic full hydraulic lockouts on rear axle permits oscillation only with boom centered over the front. *Optional oscillation lockout override control.

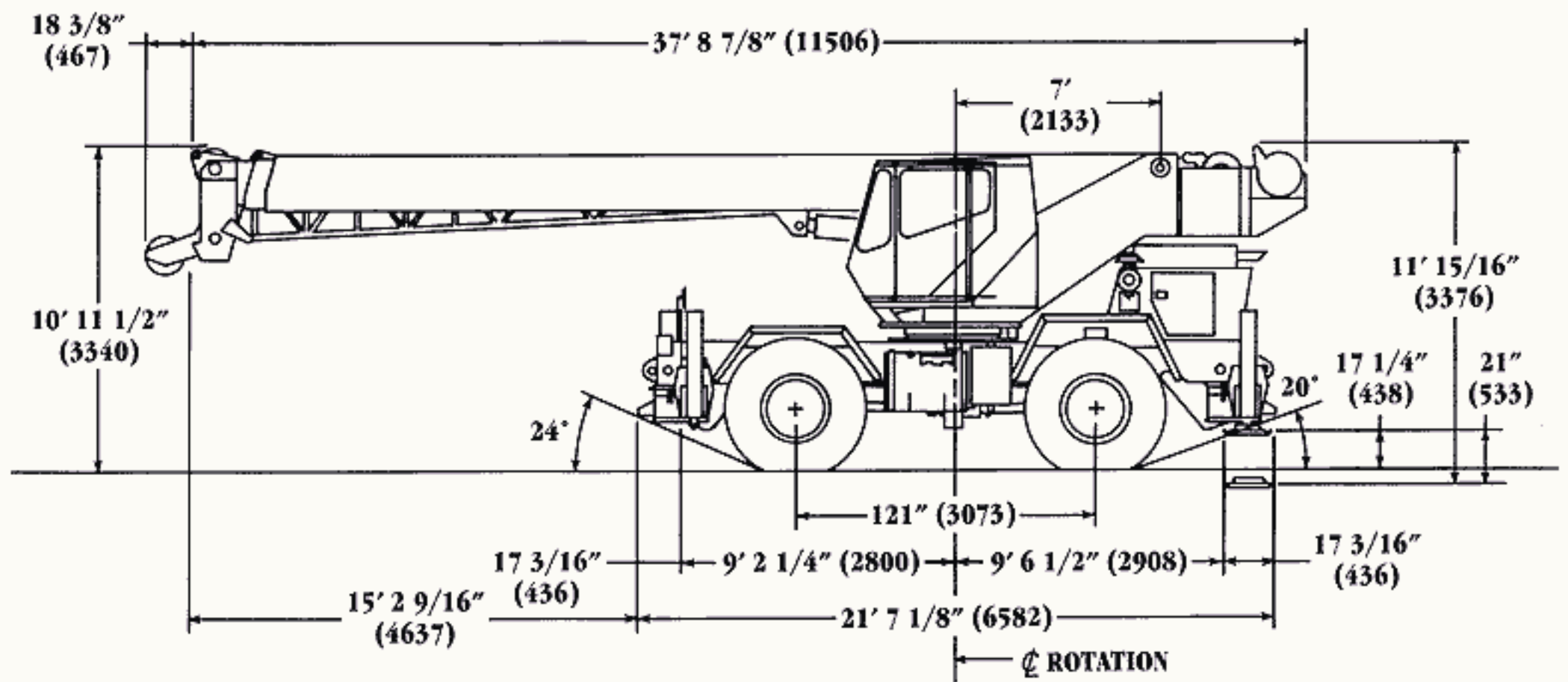
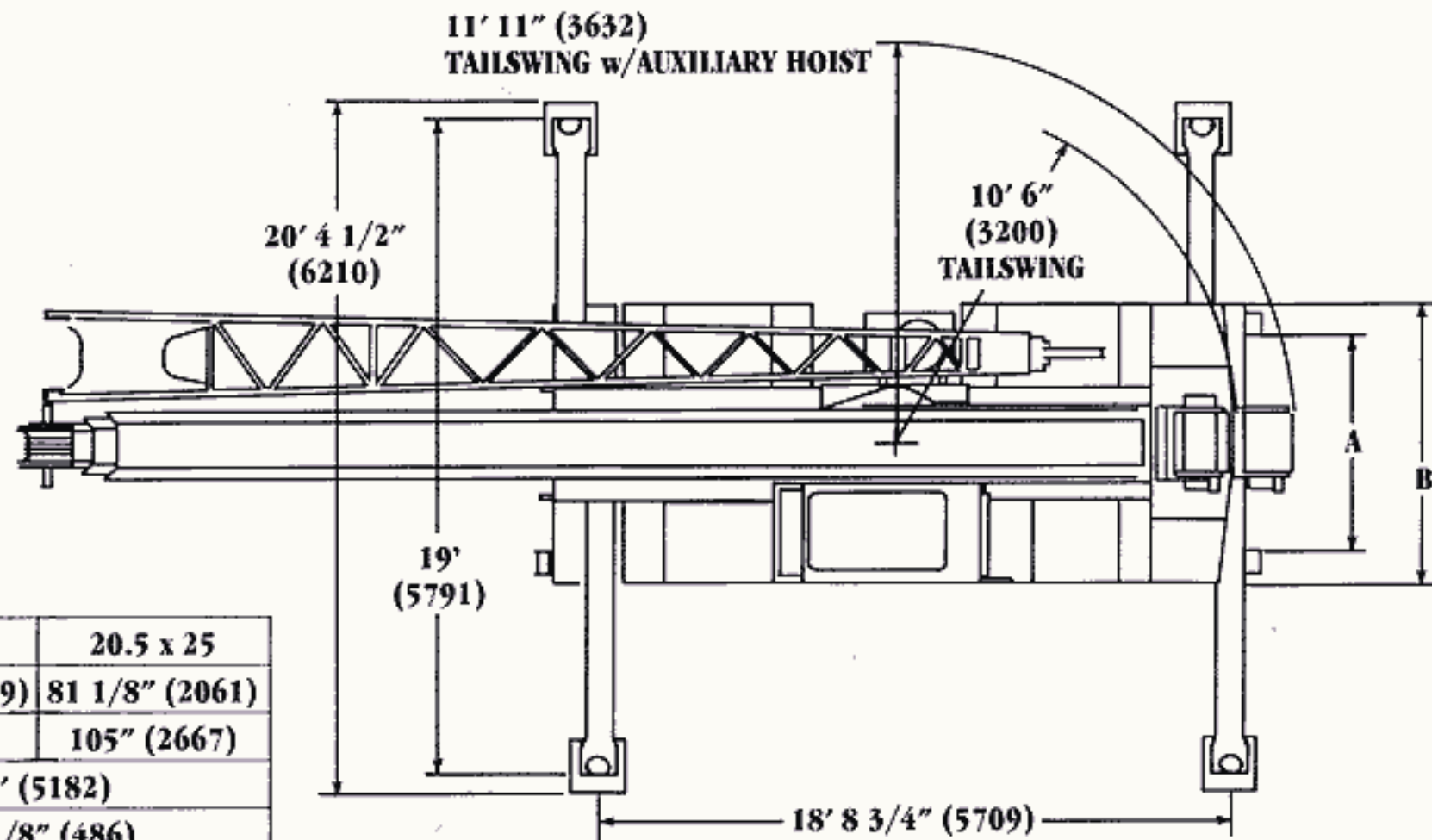
<b>Tires</b>	Std. 20.5 x 25 - 24 P.R. Earthmover type, tubeless; or *16.00 x 25 - 28 P.R. Earthmover type, tubeless.
<b>Brakes</b>	Dual braking system, air over hydraulic operating on all wheels. Spring-applied, air released front axle mounted parking brake.
<b>Lights</b>	Full lighting package including turn indicators, head, tail, brake and hazard warning lights.
<b>Maximum Speed</b>	21.8 MPH (35 kph)
<b>Maximum Gradeability</b>	98.8% Theoretical based on 54,070 lb. (24,526 kg) GVW, 20.5 x 25 tires, pumps disengaged, 80 ft. (24.4m) boom plus 30 ft. (9.3m) swingaway.
<b>Gross Vehicle Weight &amp; Axle Loads</b>	BASIC STANDARD MACHINE Front 26,785 lbs. (12,150 kgs) Rear 26,885 lbs. (12,195 kgs) G.V.W. 53,670 lbs. (24,345 kgs)
<b>Miscellaneous Standard Equipment</b>	Full width steel fenders, dual rear view mirrors, hookblock tiedown sling, electronic back-up alarm, light package, front stowage well.
<b>Optional Equipment</b>	* Auxiliary hoist * Worklights * 360° Rotating beacon * Cab spotlight * Tachometer * Cold start aid, (less canister) * Engine block heater * Electric skylight wiper * Hookblocks * Tow winch (front mounted-maximum single line pull - 15,000 lbs. (6804 kg); maximum speed - 75 ft/min) * Spare wheel assembly * Tire inflation kit * Tool kit * Pintle hook front/rear * High Speed Glide (boom suspension system) * Opening Skylight * Diesel Heater/Propane Heater/Defroster

†Patented Grove feature or patent pending.  
 \*Denotes optional equipment.

# Dimensions

# RT600B Series

TIRE SIZE	16.00 x 25	20.5 x 25
A (TRACK)	77 1/2" (1969)	81 1/8" (2061)
B (OAW)	96" (2438)	105" (2667)
Turning Radius	17' (5182)	
Ground Clearance	19 1/8" (486)	



Grove Worldwide - World Headquarters  
1565 Buchanan Trail East  
Shady Grove, Pennsylvania 17256  
Phone: (717) 597-8121 Telex: 1842308 Fax: (717) 597-4062

Grove North America  
P.O. Box 21, Shady Grove, Pennsylvania 17256  
Western Hemisphere, Asia/Pacific  
Phone: (717) 597-8121 Telex: 1842308 Fax: (717) 597-4062

Grove Europe\*  
Sunderland, England SR4 6TT  
Europe, Africa, Middle East, Near East  
Phone: (091) 565-6281 Telex: 53484 CRANES G Fax: (091) 564-0442

\* Grove Coles Limited, Registered in England, Number 1845128, Registered office, Crown Works, Pallion, Sunderland, Tyne & Wear, England SR4 6TT.

Constant improvement and engineering progress make it necessary that we reserve the right to make specification, equipment, and price changes without notice. Illustrations shown may include optional equipment and accessories and may not include all standard equipment.

Distributed By: