

GROVE[®]

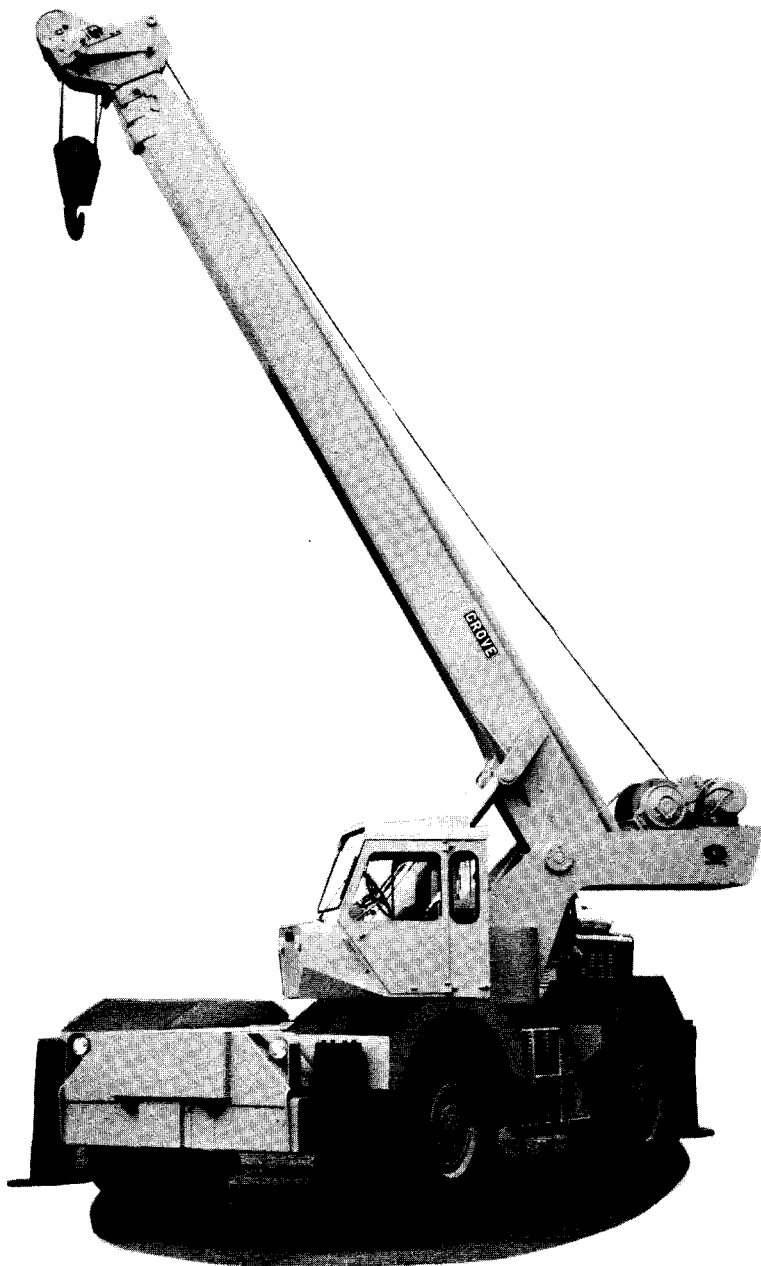
FULL HYDRAULIC SELF-PROPELLED CRANE

MODEL RT62S

25 TON CAPACITY

SPECIFICATIONS

- ★ 50,000 lbs. at 12 ft. radius
- ★ Max. Hook Height: 117 ft.
- ★ 360° Continuous Rotation
- ★ Turntable-Mounted Control Cab
- ★ 4-Wheel Drive, 4-Wheel Steer
- ★ 4 Speeds Forward & Reverse
with Rear Axle Disconnect
- ★ Full Power-Shift Transmission
- ★ 3-Section 24 ft. - 60 ft. Full Power
Telescoping Boom
- ★ 3-Section 32 ft. - 80 ft. Full Power
Telescoping Boom (Optional)
- ★ 4-Section 29 ft. - 92 ft. Telescoping
Boom (Optional)
- ★ Controlled Free-Fall (Optional)
- ★ Twin Boom-Elevation Cylinders
0° to 75° Maximum Elevation
- ★ Safety Holding Valves on all
Load-Carrying Cylinders
- ★ Hydraulic Double-Box Beam-Type
Outriggers, Vertical Jacks



GROVE MANUFACTURING COMPANY

A DIVISION OF WALTER KIDDE & COMPANY, INC.

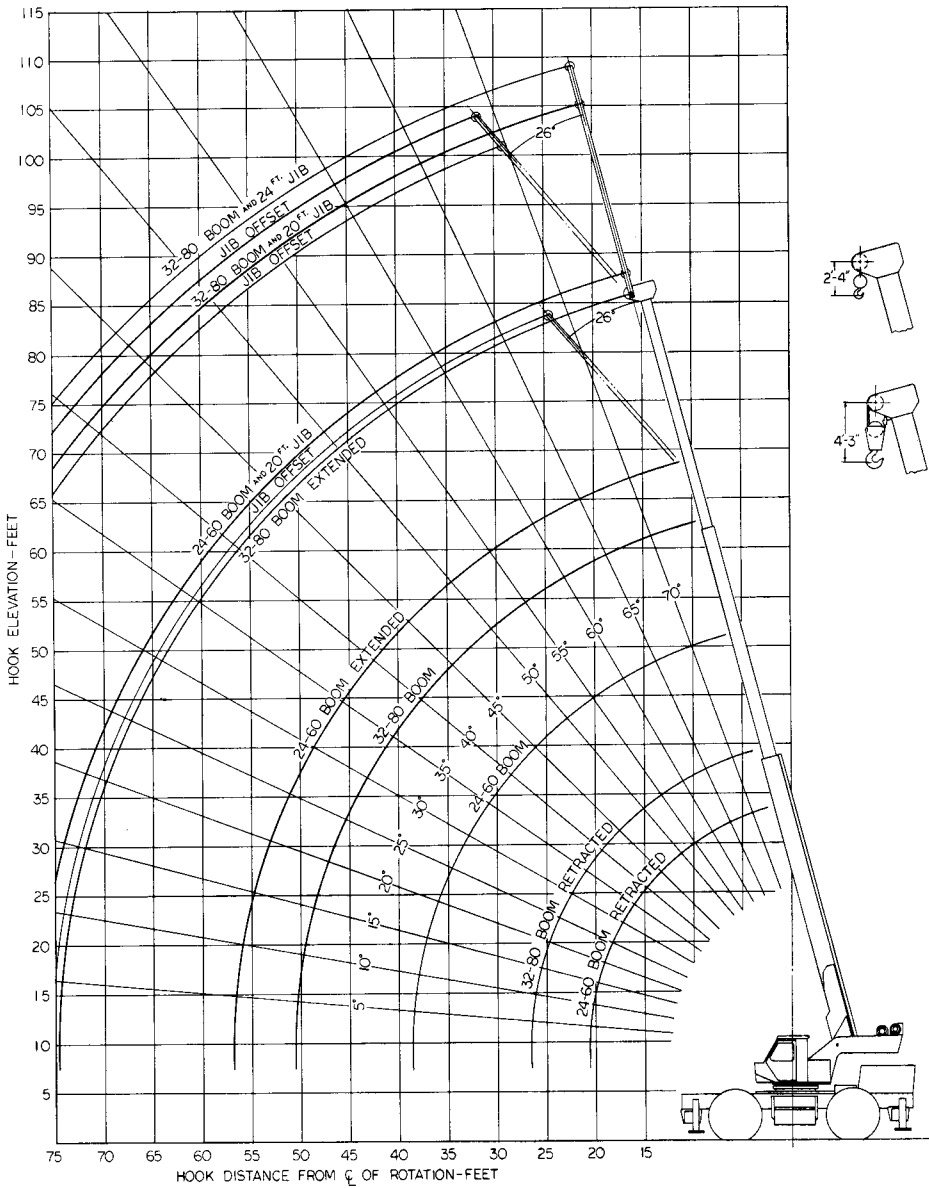
SHADY GROVE

PENNSYLVANIA 17256

MEMBER: POWER CRANE AND SHOVEL ASSOCIATION

HOOK ELEVATION CHART

FOR 24' - 60' AND 32' - 80' BOOMS



JIB CAPACITIES

WITH 32-80' BOOM

24' JIB, BOOM FULLY EXTENDED

MIN. BOOM ANGLE	NO OFFSET	26° OFFSET
75°	6000#	2700#
70	4750	2550
65	4000	2375
60	3500	2300
55	3150	2200
50	2900	2170
45	2650	2125
40	2550	2085
35	2475	2040
30	2400	2000
26	2300	1950

WITH 24-60' BOOM

20' JIB, BOOM FULLY EXTENDED

MIN. BOOM ANGLE	NO OFFSET
75°	8500#
70	5750
65	4500
60	3700
50	2200
40	1750
30	1500

NOTE: All jib capacities are based on structural strength of the jib or main boom. Actual loads must not exceed capacities given in main boom capacity chart for the same working radius less the allowance for jib weight.

RATED LIFTING CAPACITIES - 24-60 FT. BOOM



ON OUTRIGGERS -- OVER FRONT

WORK RADIUS IN FT.	BOOM LENGTH IN FEET			
	24	40	50	60
12	50000	47000		
15	43000	40000	38000	36000
20	35000	34000	33000	32000
25		29000	28000	24000
30		24000	22000	18000
35		20000	17000	15000
40			14000	13500
45			12000	11000
50				10000
57				9000

ON OUTRIGGERS -- 360°

WORK RADIUS IN FT.	BOOM LENGTH IN FEET			
	24	40	50	60
12	50000	47000		
15	43000	40000	38000	36000
20	35000	34000	33000	32000
25		24000	24000	24000
30		18400	18400	18000
35		14400	14400	14400
40			11500	11500
45			9500	9500
50				8000
57				6550

ON RUBBER -- FRONT

WORK RADIUS IN FT.	BOOM LENGTH IN FEET			
	24	40	50	60
12	40000	40000		
15	35000	35000	35000	35000
20	23600	23600	23600	23600
25		16400	16400	16400
30		12400	12400	12400
35		10000	10000	10000
40			8000	8000
45			6600	6600
50				5400
57				4000

ON RUBBER -- 360°

WORK RADIUS IN FT.	BOOM LENGTH IN FEET			
	24	40	50	60
10	34500	34500		
12	25500	25500	25500	25500
15	17000	17000	17000	17000
20	12000	12000	12000	12000
25		8500	8500	8500
30		6200	6200	6200
35		4500	4500	4500
40			3200	3200
45			2400	2400
50				1800
57				1200

NOTE: Capacities appearing in shaded area above are based on machinery strength and tipping should not be relied upon as a capacity limitation.

RATED LIFTING CAPACITIES - 32-80 FT. BOOM

ON OUTRIGGERS (360°)

WORK RADIUS IN FT.	BOOM LENGTH IN FEET									
	32	38	44	50	56	62	68	74	80	
12	50000	47000	44000	41000	38000					
15	42000	40500	39000	36000	33000	27000	25000			
20	34000	32500	31000	29500	28000	25500	23000	21000	20000	
25	25000	25000	25000	25000	24000	23000	21500	20750	18000	
30			18000	18000	18000	17750	17500	17000	17000	
35			15200	15200	15200	15200	15200	15200	15200	
40			12300	12300	12300	12300	12300	12300	12300	
50					8500	8500	8500	8500	8500	
60							5900	5900	5900	
70								4000	4000	
75									3300	

NOTE:

Capacities in shaded area are based on structural strength when lifting over the side. All capacities over the front are based on structural strength, and machine stability should not be relied upon as the capacity limitation.

ON RUBBER (FRONT)

WORK RADIUS IN FT.	BOOM LENGTH IN FEET									
	32	38	44	50	56	62	68	74	80	
12	40000	40000	40000	40000	38000					
15	35000	35000	35000	34000	33000	27000	25000			
20	23000	23000	23000	23000	23000	23000	23000	21000	20000	
25			16000	16000	16000	16000	16000	16000	16000	
30			12000	12000	12000	12000	12000	12000	12000	
35			8500	8500	8500	8500	8500	8500	8500	
40					7000	7000	7000	7000	7000	
45					5500	5500	5500	5500	5500	
50								4500	4500	
60								3000	3000	
70									1800	
75									1300	

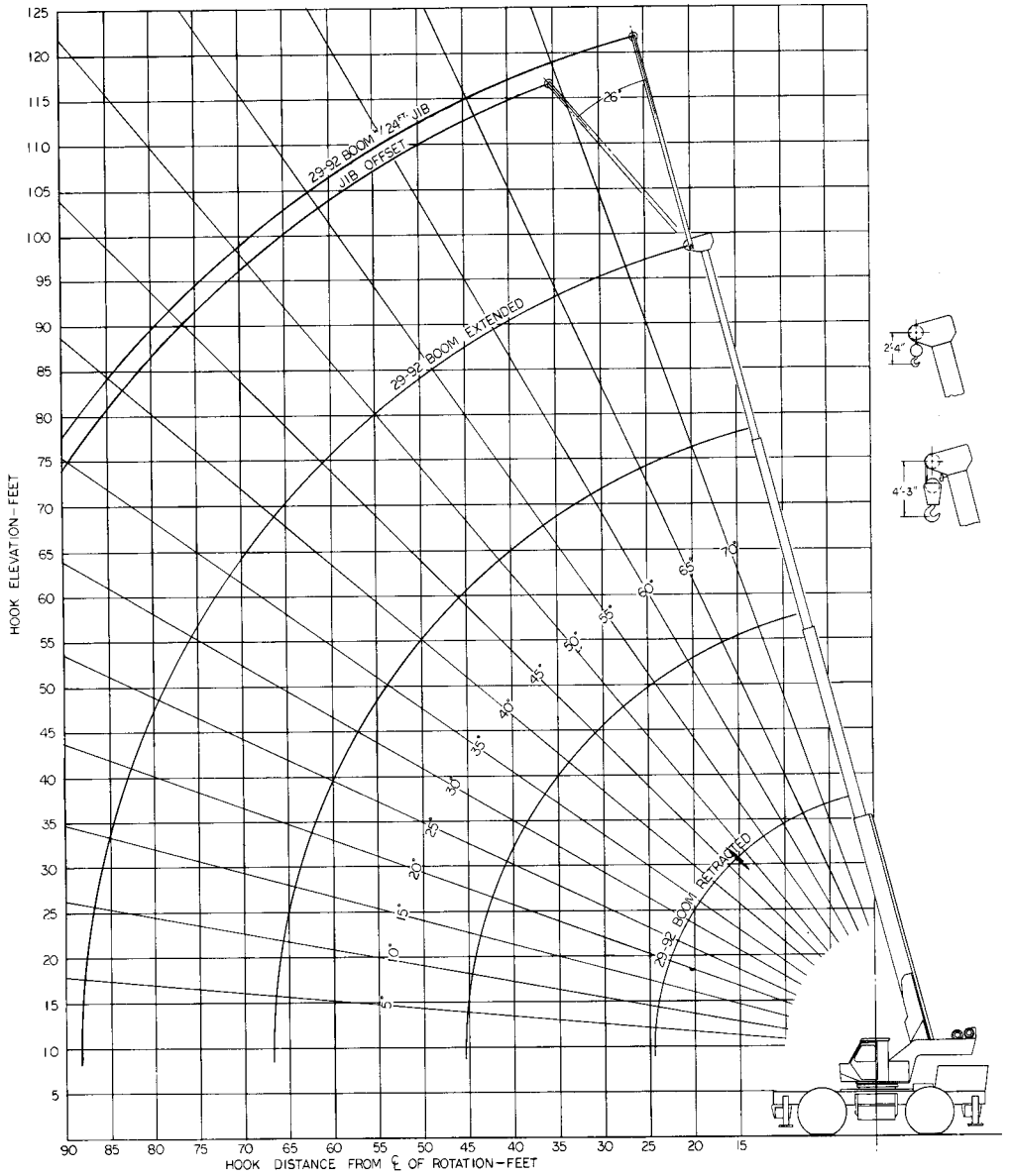
ON RUBBER (360°)

WORK RADIUS IN FT.	BOOM LENGTH IN FEET									
	32	38	44	50	56	62	68	74	80	
10	34500	34500	34500							
12	25000	25000	25000	25000	25000	25000	25000			
15	16000	16000	16000	16000	16000	16000	16000			
20	11400	11400	11400	11400	11400	11400	11400	11400	11400	
25			8000	8000	8000	8000	8000	8000	8000	
30			5000	5000	5000	5000	5000	5000	5000	
35			3000	3000	3000	3000	3000	3000	3000	
40							2000	2000	2000	
45							1100	1100	1100	
50							550	550	550	

IMPORTANT -- Refer to the general NOTES TO LIFTING CAPACITIES appearing on Page 5

HOOK ELEVATION CHART

FOR 29 - 92 FT. BOOM



JIB CAPACITIES

JIB CAPACITIES WITH 29'-92' BOOM

(24-Foot Jib; Boom Fully Extended)

Min. Boom Angle	No Offset	26° Offset
75°	4000#	1800#
70	3750	1700
65	3500	1550
60	3250	1475
55	3000	1350
50	2750	1250
45	2500	1150
40	2250	1000
35	2000	900
30	1750	800
26	1500	675

NOTE:

All capacities are based on structural strength of the jib or main boom. Actual loads must not exceed capacities given in main boom capacity chart for the same working radius less the allowance for jib weight.

**RATED LIFTING CAPACITIES - 29-92 FT. BOOM
ON OUTRIGGERS - - 360°**



RT62S

WORK RADIUS IN FT.	BOOM LENGTH IN FEET								MANUAL FLY EXT'D 92*
	MANUAL FLY RETRACTED								
	32	38	44	50	56	62	68	71	
12	50000	47000	44000	41000	38000				
15	42000	40500	39000	36000	33000	27000	25000		
20	34000	32500	31000	29500	28000	25500	22000	20000	
25	23000	22300	21700	21100	20000	19000	18000	17000	11500
30		16300	16300	16300	16300	16000	15500	15000	11000
40			11000	11000	10500	10000	10000	10000	9300
50					6700	6600	6500	6500	6500
60							4100	4100	4100
70									3300
80									2300
88									1500

NOTE - Capacities in shaded area are based on structural strength when lifting over the side. All capacities over the front are based on structural strength, and machine stability should not be relied upon as the capacity limitation. *ALSO INDICATES MAXIMUM CAPACITY OF EXTENDED FLY SECTION, REGARDLESS OF BOOM LENGTH.

ON RUBBER - - FRONT

WORK RADIUS IN FT.	BOOM LENGTH IN FEET								MANUAL FLY EXT'D 92
	MANUAL FLY RETRACTED								
	32	38	44	50	56	62	68	71	
12	40000	40000	40000						
15	35000	35000	35000	35000	33000	25000			
20	23000	23000	23000	23000	23000	23000	20000	20000	
25			16000	16000	16000	16000	16000	16000	
30			12000	12000	12000	12000	12000	12000	
40				7300	7300	7300	7300	7300	
50					4200	4200	4200	4200	
60							2700	2700	
70								1000	

OPERATION WITH MANUAL FLY EXTENDED IS NOT RECOMMENDED

ON RUBBER - - SIDE

WORK RADIUS IN FT.	BOOM LENGTH IN FEET								MANUAL FLY EXT'D 92
	MANUAL FLY RETRACTED								
	32	38	44	50	56	62	68	71	
10	34500	34500	34500						
12	25000	25000	25000	25000	25000	25000			
15	15000	15000	15000	15000	15000	15000			
20	11000	11000	11000	11000	11000	11000	11000	11000	
25			8000	8000	8000	8000	8000	8000	
30			5000	5000	5000	5000	5000	5000	
40					2300	2300	2300	2300	
50						1000	1000	1000	

OPERATION WITH MANUAL FLY EXTENDED IS NOT RECOMMENDED

NOTES:

- Rated lifting capacities, with or without outriggers, are the maximum loads covered by the manufacturer's warranty with the machine standing on a firm, level and uniform supporting surface. Capacities do not exceed 85% of tipping.
- For certain conditions, capacities are controlled by machinery strength. In these cases, machine tipping must not be relied upon as the capacity limitation.
- For clamshell and concrete bucket operation, weight of bucket and load should not exceed 90% of published lifting capacity.
- The weights of all load-handling devices are considered part of the load lifted and suitable allowances for them should be made.
- Boom jib extensions may be used as straight, gooseneck extensions, and for lifting crane service only.
- With jib installed, lifting capacities over main boom must be reduced as follows: 20' jib, 700 lbs. reduction; 24' jib, 800 lbs. reduction.
- With Outriggers Set, maximum boom length (all booms) - including jib extended - may be raised from horizontal 360°.
- On Rubber, with 60' boom, the maximum length - including jib extended - may be raised from horizontal 360° (60' Boom Only).
- Long Cantilever booms can create a tipping condition when in extended and lowered positions. Boom should be retracted proportionate to the capacity of the load chart.
- Each Power-Telescoping boom section should be extended equally at all times. Do not operate one fully extended and another fully retracted.

SPECIFICATIONS

BOOM – 3-section, full power telescope, 24' retracted, 60' extended.

* 3-section, full power telescope, 32' retracted, 80' extended.

* 4-section, power telescope, (1 section manual), 29' retracted, 92' extended.

BOOM NOSE – Three sheave, weld-on type with integral cable guards.

***JIBS** – 20' and 24' self-erecting Stow-Away type, with single cable self-equalizing suspension.

BOOM ELEVATION – Twin double-acting cylinders with integral safety holding valves.

HOIST (Main) – Turntable-mounted, Model 5090 SECR, full hydraulic power up and power down, planetary gear reduction with integral automatic brake.

DRUM – 12" diameter x 22.3" flange diameter x 16" long.

PERFORMANCE – (No load):

Single line speed (FPM) 160 bare drum, 230 mean drum, 260 full drum.

Single line pull (lbs.) 15,100 bare drum, 13,000 mean drum, 9,800 full drum.

DRUM CAPACITY – 490' 3/4" cable.

***HOIST (Main, Optional)** Turntable-mounted Model 5090 HECR, full hydraulic; power up and power down, planetary gear reduction with integral automatic brake.

DRUM – 12" diameter x 22.3" flange diameter x 16" long.

PERFORMANCE – (No load):

Single Line Speed – (FPM) 320 bare drum, 460 mean drum, 520 full drum.

Single Line Pull – (lbs.) 8000 bare drum, 6,500 mean drum, 4,900 full drum.

DRUM CAPACITY – 730' of 5/8" cable.

(4-sheave boom nose and 400' of 5/8" cable furnished with Model 5090 HECR hoist)

***CONTROLLED FREE-FALL HOIST** – Equal speed power up and power down with controlled free-fall feature. Free-fall controlled by separate lever; braking accomplished through separate multi-disc brake fully immersed in oil. Available on any of the offered hoists for the RT62S, either Main or Auxiliary but not both.

SWING – 360° continuous rotation, ball bearing swing circle, external pinion, bull gear integral with swing circle, speed 2.5 RPM. Swing Safety Lock.

HYDRAULIC SYSTEM –

MAIN PUMP – 3-section gear type, 120 GPM driven off torque-converter PTO.

MAIN PUMP POWER DISTRIBUTION – (Main hoist - outriggers) (*Auxiliary hoist-boom elevation)
(Swing-telescope - rear steer).

STEER PUMP – One-section gear type, 15 GPM driven off torque-converter PTO.

CONTROL VALVES – Precision four-way double-acting type with integral load check, main and circuit relief valves. Three banks permitting multiple control of crane functions.

RESERVOIR – 175 gallon capacity, all steel welded construction with integral baffles and top clean-out hole.

FILTER – Full-flow, return line type with by-pass protection, replaceable cartridge.

ENGINE SPECIFICATIONS:

	DIESEL	*DIESEL
MAKE	Cummins CS 464-C	GMC 6V53N
TYPE	6 Cyl. 4 Cycle, Supercharged	V-6 Cyl. 2 Cycle, Supercharged
BORE & STROKE	4.4375" x 5"	3.3875" x 4.50"
GROSS B.H.P.	195 @ 2600 RPM	195 @ 2800 RPM
GROSS TORQUE	421 lbs. ft. @ 1800 RPM	423 lbs. ft. @ 1500 RPM
GOVERNOR	2600 RPM	2800 RPM
ELECT. SYSTEM	12V with high output starting motor & alternator; 2 SAE 8D starting batteries	12V with high output starting motor & alternator; 2 SAE 8D starting batteries

MAIN FRAME – All welded construction with full depth longitudinal and cross members, frame doubly reinforced at critical points to insure a rigid turntable mounting.

SPECIFICATIONS (cont'd)

TRANSMISSION & TORQUE CONVERTER – Engine mounted converter. 3.00:1 stall ratio, with PTO for hydraulic pumps. Remote-mounted full power-shift transmission. Four speeds forward and four speeds reverse with rear axle disconnect.

DRIVE-STEER AXLES – (Front & Rear). Heavy-duty planetary-type with twin-steering cylinders. Rear axle mounted to allow 0-12" oscillation and includes automatic-oscillation lockouts.

BRAKES – Air operated, internal expanding, size 20" x 5", one axle equipped with spring-applied safety brake for fail safe and parking brake service.

TIRES – 21.00 x 25 - 24-ply wide base earth-mover type (tubeless).

*18.00 x 25 - 28-ply excavator (tubeless).

*26.5 x 25 - 20-ply wide base earth-mover type (tubeless).

OUTRIGGERS – Hydraulic, double-box sliding beam and box-type integral with main frame; includes steel covers for vertical jack cylinders, safety check valves and mechanical pin locks. Beams extend to 16' 11" center to center, retract to 9' 8" over-all width. Full hydraulic in, out, up, and down. Outrigger controls mounted in the operator's control station.

OPERATOR'S CONTROL STATION – Turntable-mounted, all-steel, fully-enclosed with safety glass throughout. Skylight folds back for additional cab ventilation. Heater, Wiper, and Left-hand Door. Includes all engine instruments and all controls for driving the vehicle and performing all crane functions.

TURNING RADIUS – 22' 0"

CALCULATED VEHICLE PERFORMANCE

RANGE	OVERALL GEAR RATIO	M.P.H. @ 2700 ENG. RPM	M.P.H. @ 2600 GOV.	TRACT. EFFORT @ GOV. SPEED (LBS.)	TRACT. EFFORT @ STALL SPEED (LBS.)	% GRAD-ABILITY @ GOV. SPEED	% GRAD-ABILITY @ STALL SPEED
1st Fwd	120.0	3.85	3.46	9,576	32,000	15.3	54
2nd Fwd	61.3	7.50	6.77	4,892	16,300	6.8	27.2
3rd Fwd	32.2	14.40	12.89	2,570	8,700	2.6	14.4
4th Fwd	16.3	28.40	25.48	1,301	4,300	.35	8.7

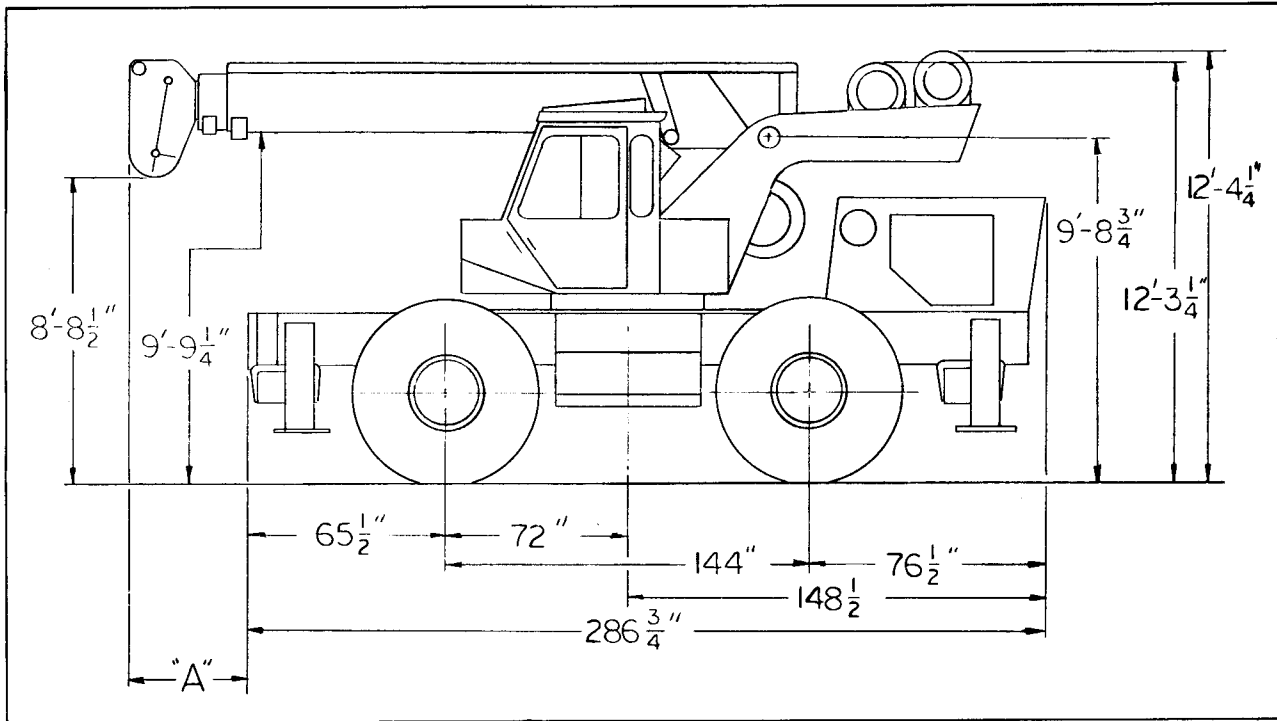
WEIGHTS:

STANDARD MACHINE	TOTAL WEIGHT (LBS.)	AXLE WEIGHT DISTRIBUTION	
		(FRONT)	(REAR)
With 24' -60' Boom	62,870	31,140	31,730
32' -80' Boom	66,730	37,850	28,880
29' -92' Boom	65,980	35,720	30,260

***DENOTES OPTIONAL EQUIPMENT**

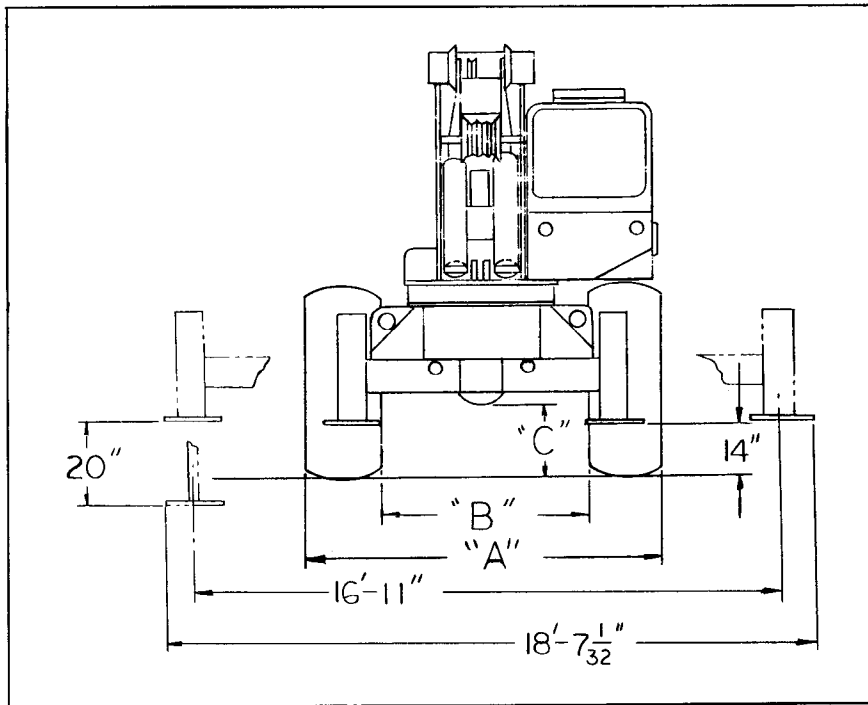
Constant improvement and engineering progress makes it necessary that we reserve the right to make specification, equipment and price changes without notice.

DIMENSIONAL CHART



SIDE VIEW	"A"
24'-60' BOOM	125"
32'-80' BOOM	197"
29'-92' BOOM	168-1/2"

FRONT VIEW TIRE SIZE	"A"	"B"	"C"
21.00 X 25	119.4"	73.6"	22"
18.00 X 25	119.4"	79.3"	20.9"
26.5 X 25	123.6"	69.8"	22.4"



GROVE MANUFACTURING COMPANY

A DIVISION OF WALTER KIDDE & CO., INC.

ADY GROVE

PENNSYLVANIA

8-10M

MEMBER: POWER CRANE AND SHOVEL ASSOCIATION

Printed in U.S.A.