

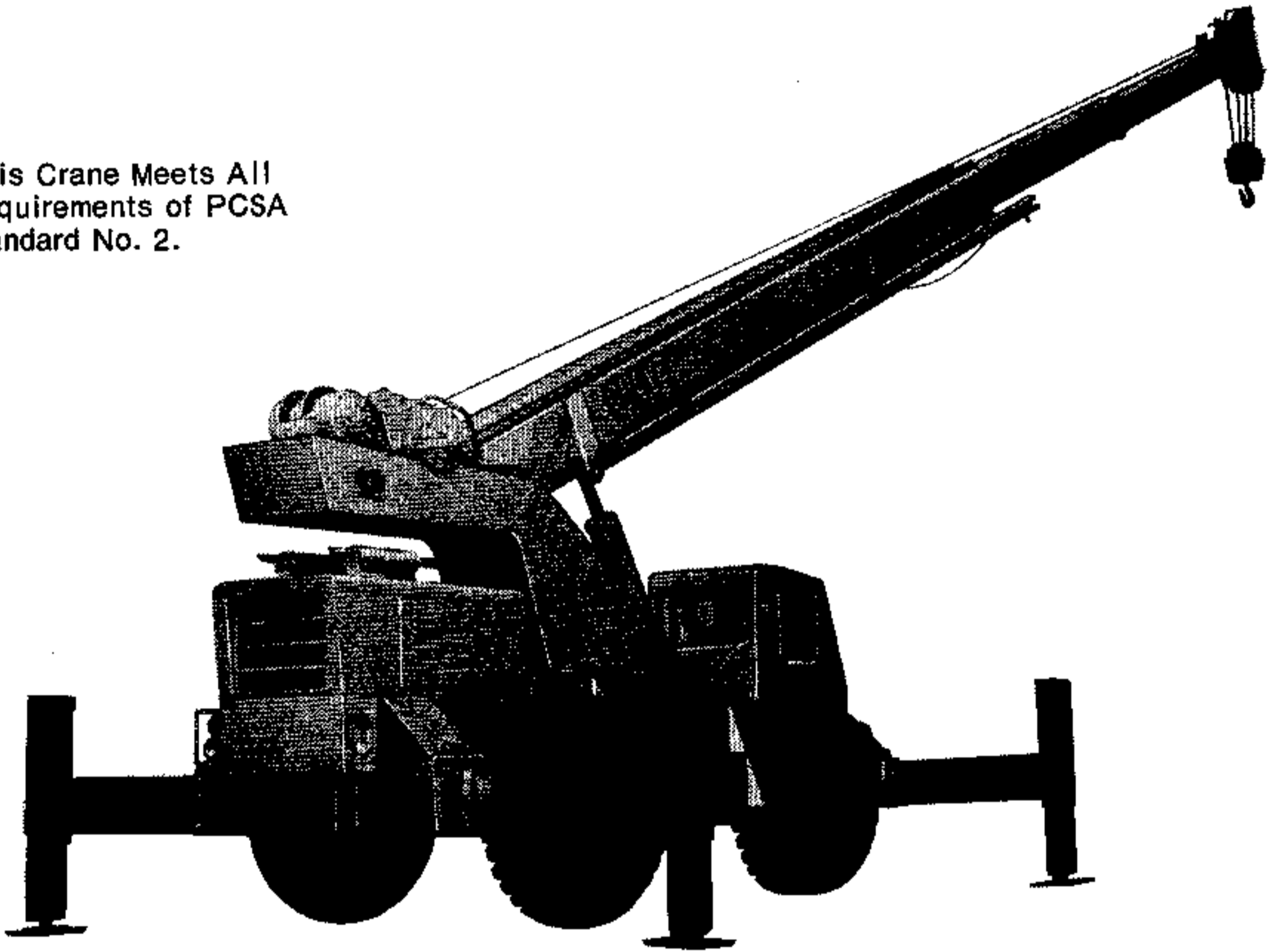
# GROVE®

## FULL HYDRAULIC SELF-PROPELLED CRANE

## MODEL RT60

**18 TON CAPACITY**  
ROUGH TERRAIN CRANE  
PCSA CLASS 10-66

This Crane Meets All  
Requirements of PCSA  
Standard No. 2.



### SPECIFICATIONS

- 36,000 lbs. at 10 ft. radius
- Max. Hook Height: 101' - 8"
- 360° Continuous Rotation
- 4-Wheel Drive, 4-Wheel Steer
- 8 Speeds Forward & Reverse with Rear Axle Disconnect
- Full Power-Shift Transmission
- 3-Section 28 ft. - 70 ft. Full Power Telescoping Boom
- 3-Section 24 ft. - 60 ft. Full Power Telescoping Boom (Optional)
- 4-Section 24 ft. - 78 ft. Telescoping Boom (Optional)
- Controlled Free-Fall (Optional)
- Twin Boom-Elevation Cylinders 0° to 75° Maximum Elevation
- Safety Check or Holding Valves on all Load-Carrying Cylinders
- Hydraulic Double-Box Beam-Type Outriggers, Vertical Jacks



**GROVE MANUFACTURING COMPANY**

A DIVISION OF WALTER KIDDE & COMPANY, INC.  
**SHADY GROVE PENNSYLVANIA 17256**

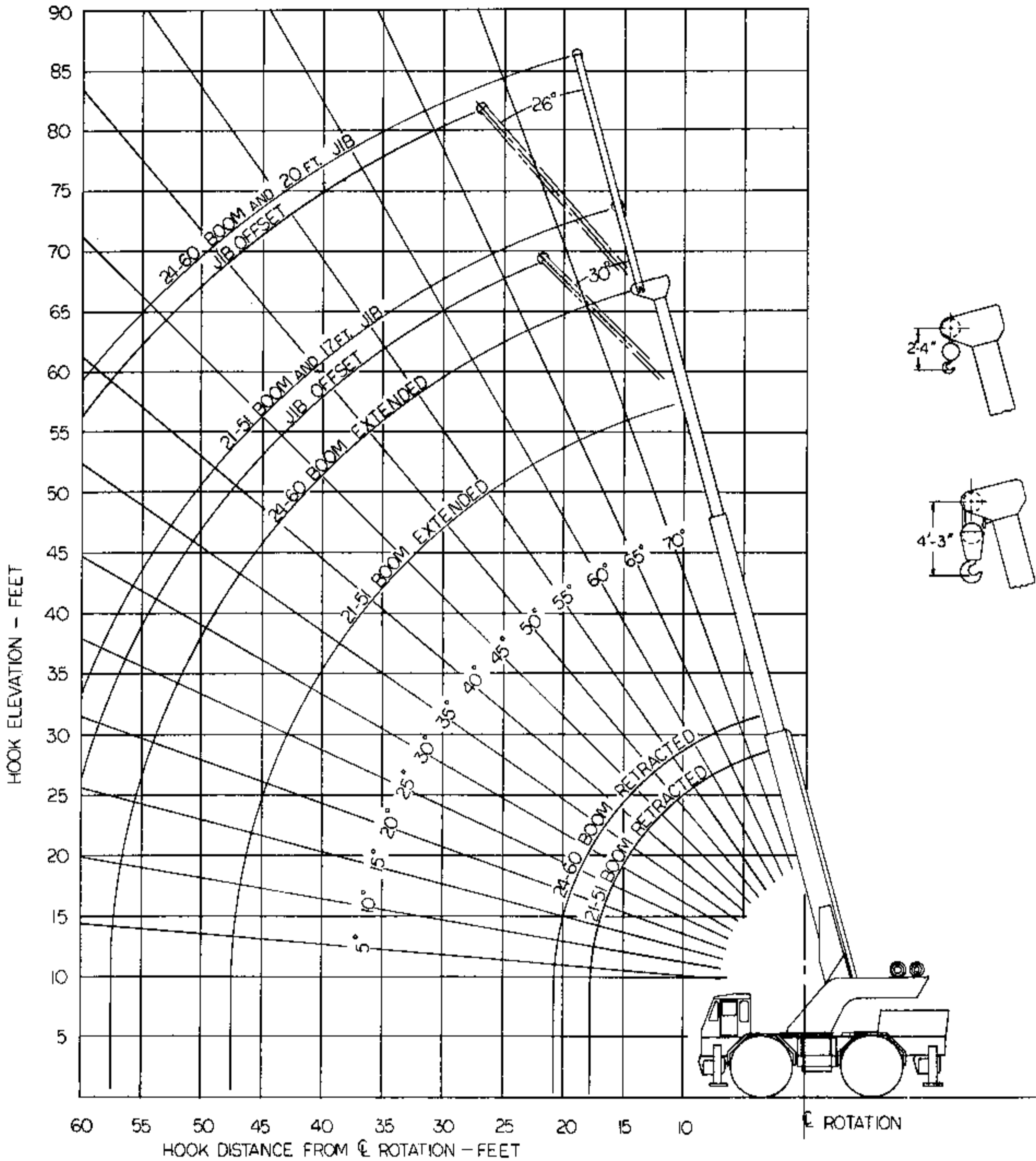
MEMBER: POWER CRANE AND SHOVEL ASSOCIATION



# RT60

24' - 60' BOOM AND  
AND  
21' - 51' BOOM

## HOOK ELEVATION CHART



### 17' JIB CAPACITIES

MIN. BOOM ANGLE	NO OFFSET	MAX. (30°) OFFSET
75°	6,000 lbs.	3,600 lbs.
70°	4,050	3,000
65°	3,150	2,350
60°	2,600	1,950
50°	1,550	1,150
40°	1,250	950
30°	1,100	800

Jibs are to be used for:  
*Single Line Operations Only.*

All jib capacities are based on structural strength of the jib or main boom. Actual loads must not exceed capacities given in the main boom capacity chart for the same working radius less the allowance for jib weight.

### 20' JIB CAPACITIES

MIN. BOOM ANGLE	NO OFFSET	MAX. (30°) OFFSET
75°	6,200 lbs.	2,600 lbs.
70°	5,000	2,400
65°	4,300	2,300
60°	3,700	2,150
55°	3,300	2,100
50°	2,600	1,650
45°	2,400	1,500
40°	2,200	1,460
30°	1,900	1,200