



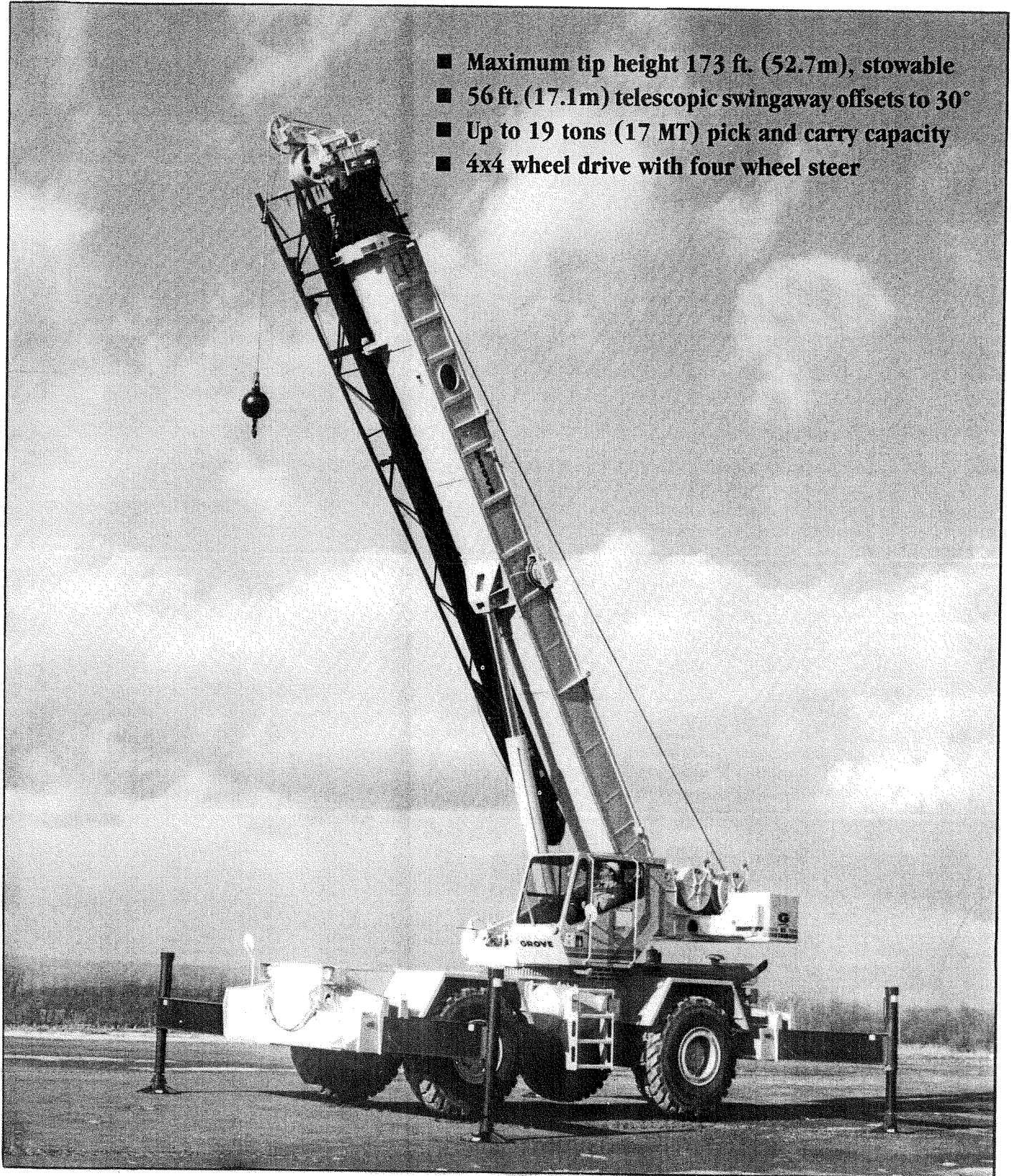
GROVE[®]
worldwide

RT700B

Series

Rough-terrain hydraulic crane

- Maximum tip height 173 ft. (52.7m), stowable
- 56 ft. (17.1m) telescopic swingaway offsets to 30°
- Up to 19 tons (17 MT) pick and carry capacity
- 4x4 wheel drive with four wheel steer



Superstructure specifications

Boom	35 ft. to 110 ft. (10.6m - 33.5m) four section Trapezoidal† full power boom. Telescoping is sequenced-synchronized with single lever control. Telescopic sections slide on adjustable and replaceable Nylatron wear pads. Maximum Tip Height: 118 ft. (35.9m).
Optional Boom	*Optional 34 ft. to 84 ft. (10.3m - 25.6m) three section trapezoidal† full power telescopic boom. Maximum tip height: 92 ft. (28m). (Note: Consult factory for availability).
Telescopic Swingaway Extension	32 ft. to 44 ft. or 56 ft. (9.8m to 13.4m or 17.1m) telescopic lattice swingaway extension with integral offset mechanism, offsettable at 0°, 15° or 30°. Stows alongside base boom section when not in use. Maximum Tip Height - 173 ft. (52.7m).
Optional Fixed Swingaway Extension	32 ft. (9.8m) lattice swingaway boom extension with integral, offset mechanism, offsettable at 0°, 15°, or 30°. Stows alongside base boom section when not in use. Maximum Tip Height - 149 ft. (45.4m).
Boom Nose	Four sheaves mounted on heavy duty tapered roller bearings with removable pin-type rope guards. *Optional removable auxiliary boom nose with removable pin type rope guard.
Boom Elevation	One double acting hydraulic cylinder with integral holding valve provides elevation from -3° to 78°.
Load Moment & Anti-Two Block System	Standard load moment and anti-two block system with audio-visual warning and control lever lockout. These systems provide electronic display of boom angle, length, radius, tip height, relative load moment, maximum permissible load, load indication and warning of impending two-block condition.
Cab	Full vision, all steel fabricated with accoustical lining and tinted safety glass throughout. Deluxe seat incorporates armrest mounted hydraulic joystick controls. Dash panel incorporates gauges for all engine functions. Other standard features include: telescoping tilt steering wheel, sliding side and rear windows, electric windshield wash-wipe, circulating air fan, electric skylight wiper, fire extinguisher, seat belt, and ashtray.
Swing	Ball bearing swing circle with 360° continuous rotation. Grove planetary glide-swing with foot applied multi-disc wet brake. Spring applied hydraulically released parking brake and plunger type, 2 position, mechanical house lock operated from cab. Maximum speed: 2.8 RPM.
Counterweight	Integral with superstructure.

HYDRAULIC SYSTEM

Pumps	3 main gear pumps, combined capacity 118 G.P.M. (447 LPM) driven by carrier engine through P.T.O. Standard pump disconnect with engine jogging switch.
Valves	Precision four way double acting pilot operated control valves, 3 individual valve banks permit simultaneous control of multiple crane functions.
Filter	Return line type, full flow with bypass protection and service indicator. Replaceable cartridge with micron filtration rating of 5/12/16.
Reservoir	100 gallon (378.5 L) with spin-on breather filter, external sight gauge, oil temperature gauge, clean out access, strap mounted to frame.
Oil Cooler	Remote mounted with thermostatically controlled electric motor driven fan.
Pressure Check Panel	System pressure test panel with quick release type fittings for each circuit.

HOIST SPECIFICATIONS

Power up and down equal speed, planetary reduction with automatic spring applied multi-disc brake. Electronic hoist drum rotation indicator and hoist drum cable followers.

		Main and *Auxiliary Hoist Grove HO30D-16	
Make/Model		High Range	Low Range
Maximum single line speed	Bottom layer	412 FPM (126m/min)	206 FPM (63m/min)
	Intermediate layer	480 FPM (146m/min)	240 FPM (73m/min)
	Top layer	546 FPM (166m/min)	273 FPM (83m/min)
Maximum single line pull	Bottom layer	7,987 lbs. (3623 kg)	15,974 lbs. (7246 kg)
	Intermediate layer	6,879 lbs. (3120 kg)	13,757 lbs. (6240 kg)
	Top layer	6,041 lbs. (2740 kg)	12,081 lbs. (5480 kg)
Maximum permissible line pull		12,920 lbs. (5860 kg)	
w/5:1 Strength Factor		3/4 in. (19mm) 18x19 class	
Maximum rope stowage		508 ft. (155m)	
		3/4 in. (19mm)	
		Note: 500 ft. (152.4m) length of wire rope supplied with basic standard unit.	

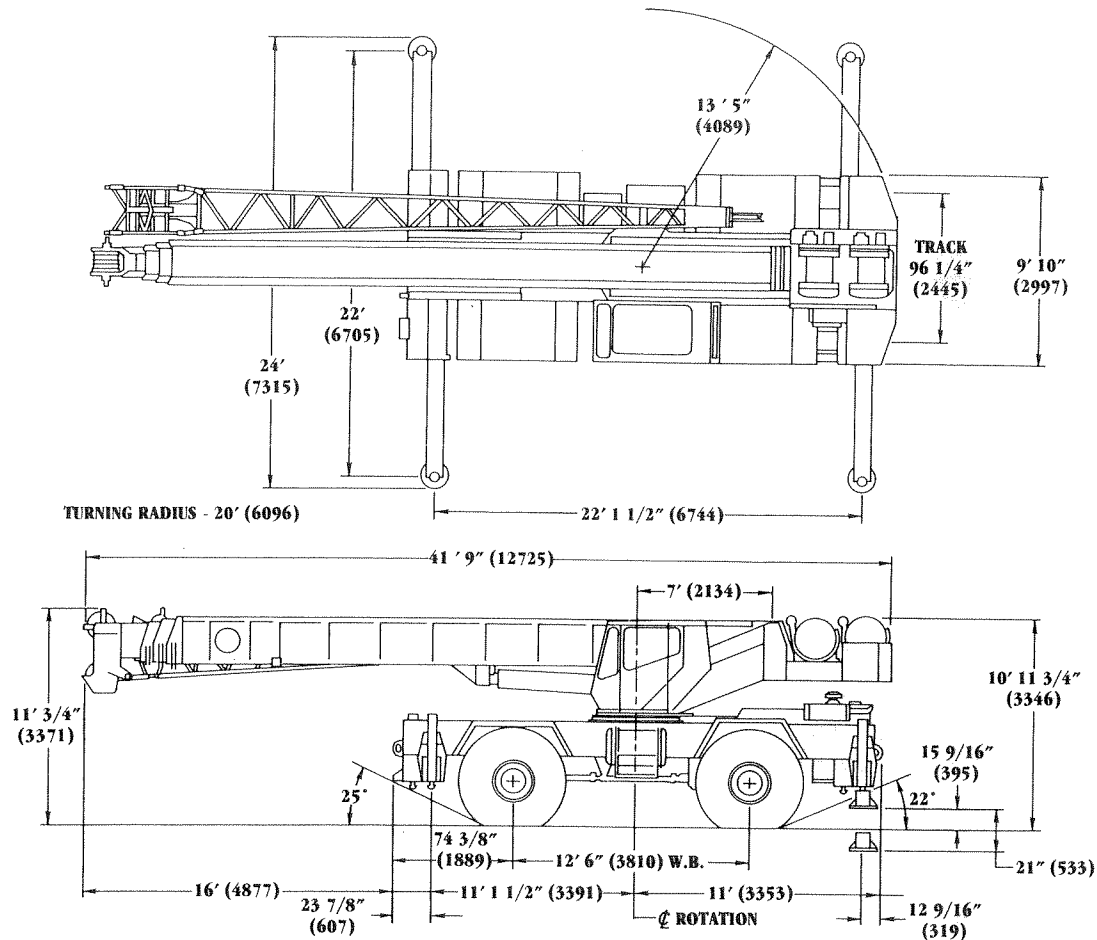
†Patented Grove feature or patent pending.
*Denotes optional equipment.

Carrier specifications

Frame	High strength alloy steel all welded box section design with integral outrigger housings and front/rear lifting, towing and tie down lugs.
Outrigger System	Hydraulic single stage double box telescopic beam and 'inverted' jack outriggers with integral holding valves. All steel fabricated quick release type outrigger floats, 24" (610mm) diameter.
Outrigger Controls	Located in cab on front dash panel requires two hand operation. Crane level indicator located in cab.
Engine	Cummins 6BTA5.9 six cylinder turbo-charged water cooled diesel - 5.9 L, 177 bhp (132 kw) (Gross) @ 2,500 RPM. Maximum torque 447 ft. lbs. (61.8 kg/m) @ 1,500 RPM.
Optional Engine	Deutz BF6L913C six cylinder air cooled diesel, 188 bhp (140 kw) (Gross) @ 2,500 RPM. Maximum torque 457 ft. lbs. (63.2 kg/m) @ 1,650 RPM.
Fuel Tank Capacity	60 gallons (227 L)
Electrical System	Two 12 volt - maintenance free batteries, 815 CCA @ 0 degree F. 12 volt starting.
Drive	4 x 4
Steering	Fully independent power steering: Front: Full hydraulic controlled by steering wheel. Rear: Full hydraulic hand lever controlled. Provides infinite variations of 4 main steering modes - front only, rear only, crab and coordinated. Rear steer indicating gauge.
Transmission	Engine mounted full powershift with 6 forward and 3 reverse speeds. Front axle disconnect for 4x2 travel.
Axles	Front: Drive-steer with differential and planetary reduction hubs rigid mounted to the chassis frame. *Optional no-spin differential. Rear: Drive-steer with differential and planetary reduction hubs pivot mounted at the center of chassis frame providing up to 12" oscillation (305mm).
Oscillation Lockouts	Automatic full hydraulic lockouts on rear axle permits oscillation only with boom centered over the front. *Optional oscillation lockout override control.

Brakes	Full hydraulic, split circuit operating on all wheels. Spring-applied, hydraulically released front axle mounted parking brake.
Tires	Std. 23.5R25 Michelin XRA Radial Earthmover type, tubeless.
Lights	Full lighting package including turn indicators, head, tail, brake and hazard warning lights.
Maximum Speed	24 MPH (39 kph)
Maximum Gradeability	90.8% (Theoretical based on 66,180 lb. (30,020 kg) GVW). 23.5R25 tires, pumps disengaged, 110 ft. (33.5m) boom, plus 32 ft. to 56 ft. (9.8m to 17.1m) telescopic swingaway.
STANDARD MACHINE	
Gross Vehicle Weight & Axle Loads	Front 33,020 lbs. (14,978 kgs) Rear 33,160 lbs. (15,042 kgs) G.V.W. 66,180 lbs. (30,020 kgs)
Miscellaneous Standard Equipment	Full width steel fenders, dual rear view mirrors, hookblock tiedown sling, electronic back-up alarm, light package, front stowage well, tachometer, cold start aid (less canister), rear wheel position indicator, hydraulic cab heater, hoist mirrors, engine distress AV warning system.
Optional Equipment	* Auxiliary hoist * Worklights * 360° rotating beacon * Cab spotlight * Engine block heater * Hookblocks * Tow winch - front mounted-maximum pull - 15,000 lbs. (6804 kg); maximum speed - 92 ft/min (28m/min) * Spare wheel assembly * Tool kit * Pintle hook front/rear * High Speed Glide† system

†Patented Grove feature or patent pending.
*Denotes optional equipment.



Grove Worldwide - World Headquarters
 1565 Buchanan Trail East
 Shady Grove, Pennsylvania 17256
 Phone: (717) 597-8121
 Telex: 1842308 Fax: (717) 597-4062

Grove North America
 P.O. Box 21, Shady Grove, Pennsylvania 17256
 Western Hemisphere, Asia/Pacific
 Phone: (717) 597-8121
 Telex: 1842308 Fax: (717) 597-4062

Grove Europe*
 Sunderland, England SR4 6TT
 Europe, Africa, Middle East, Near East
 Phone: (091) 565-6281
 Telex: 53484 CRANES G Fax: (091) 564-0442

* Grove Coles Limited, Registered in England, Number 1845128, Registered office, Crown Works, Pallion, Sunderland, Tyne & Wear, England SR4 6TT.

Constant improvement and engineering progress make it necessary that we reserve the right to make specification, equipment, and price changes without notice. Illustrations shown may include optional equipment and accessories and may not include all standard equipment.

Distributed By: