



KRUPP

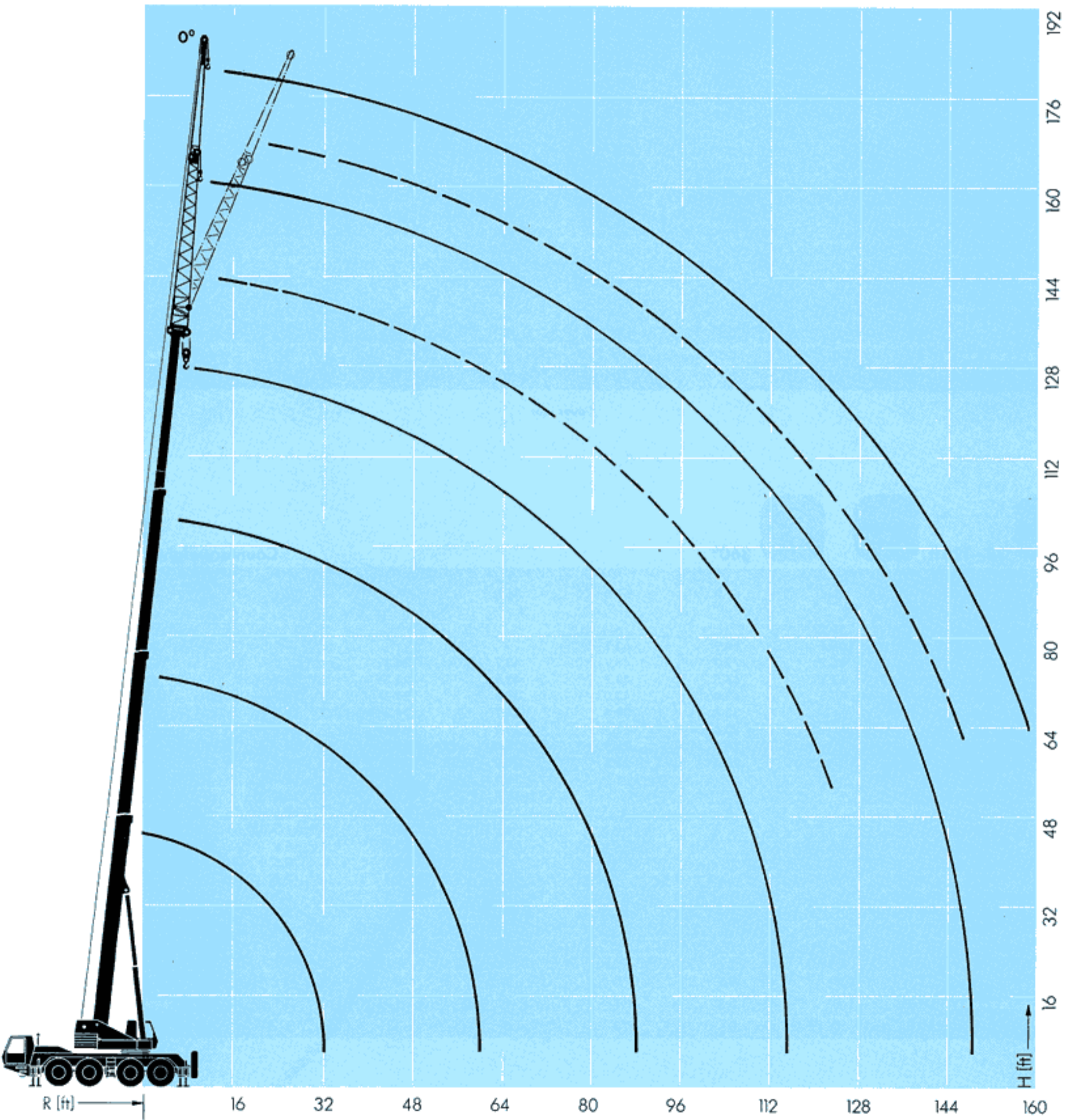
**80 ton Capacity
All-Terrain-Crane**



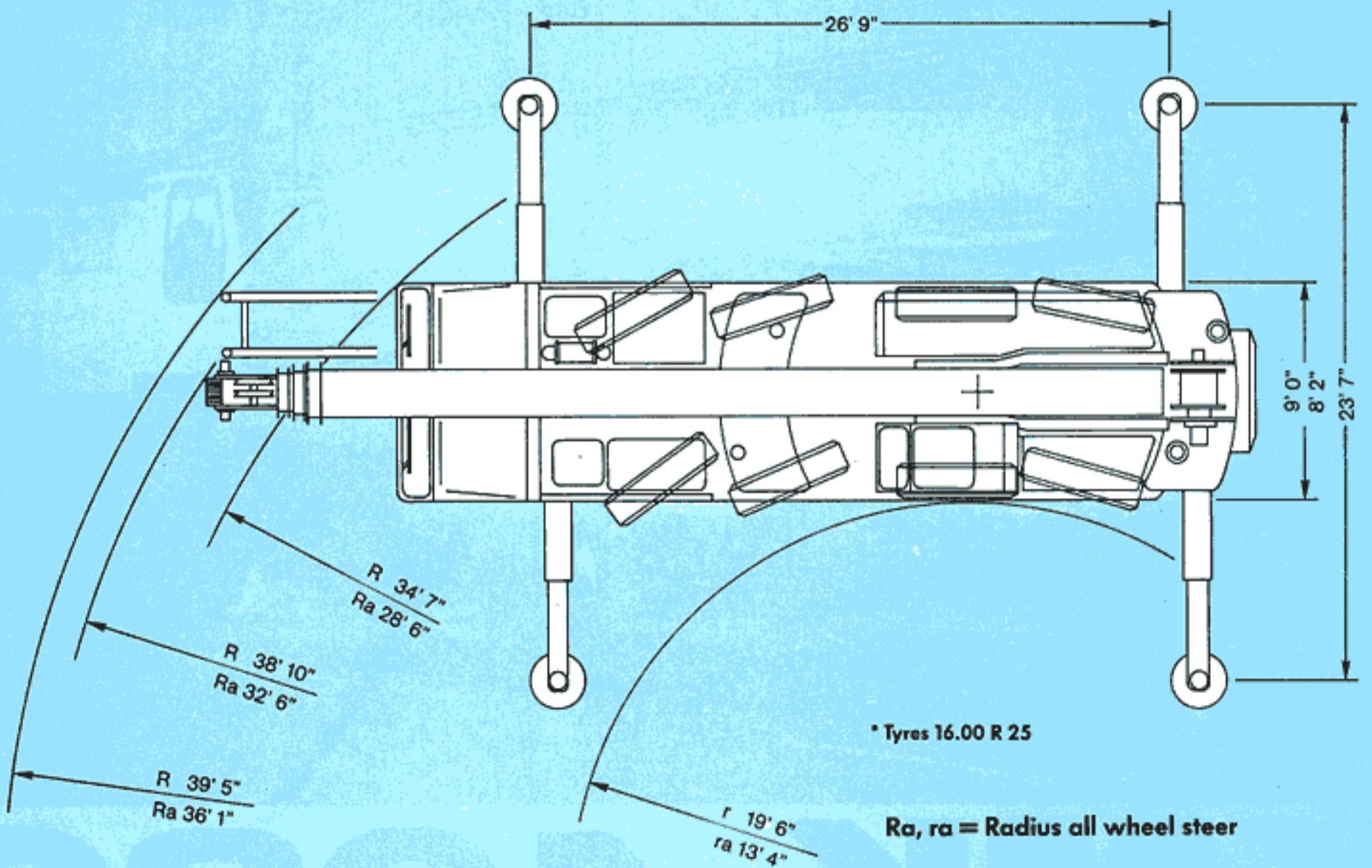
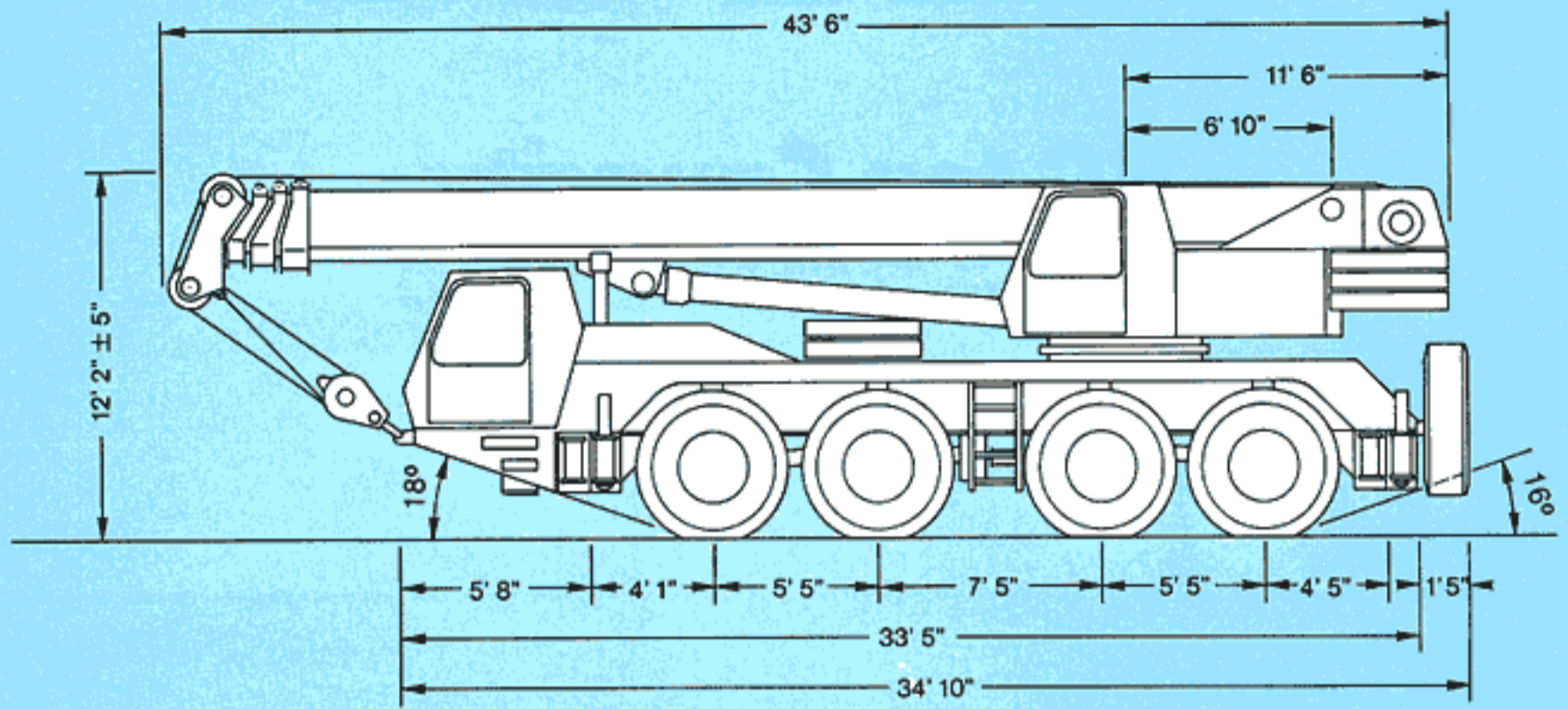
KMK 4080

Hook elevation diagram

Main boom and lattice extension



Dimensions



Carrier

Chassis:	Special KRUPP 4-axle carrier, all-welded torsion-resistant box-type construction in high strength steel.
Outriggers:	4 double hydraulically telescoping beams with vertical cylinders and outrigger pads. Independent horizontal and vertical movement control on each side of the chassis. Levelling device.
Engine:	Mercedes-Benz OM 442 diesel, 8 cylinders, water-cooled, with turbocharger, 270 kW (367 HP) at 2100 min ⁻¹ (DIN 6271 IFN). Max. torque: 1600 Nm at 1100–1500 min ⁻¹ . Tank capacity: approx. 100 gal.
Transmission:	ZF 5-special-automatic 5 HP 600.
Transfer case:	Transfer case with 2 speeds and longitudinal differential lock.
Axles lines:	4 axle lines. Axle lines 1, 2 and 4 are drive/steer axle lines.
Suspension:	All axle lines with hydropneumatic suspension and hydraulic axle lock-out. Dual level control. Suspension range: ± 5°. Possible combinations for transverse slope.
Tyres:	8 tyres 14.00 R 25.
Steering:	Dual-circuit, stand-by steering pump.
Brakes:	Service brake: pneumatic dual-circuit, acting on all wheels, air dryer. Permanent brake: hydraulic retarder, integrated with automatic transmission. Hand brake: pneumatically operated springloaded brake acting on 2nd and 4th axle line.
Driver's cab:	Aluminium , 2-man-design, safety glass, driver's seat with hydraulic suspension, motor-dependent hot-water heating. Complete instrumentation and driving controls.
Electrical system:	Three-phase generator 28V/55 A, 2 batteries 12V/143 Ah, lighting system and signals.

Superstructure

Frame:	KRUPP-made, torsion-resistant welded construction of high strength steel.
Engine:	See carrier.
Hydraulic system:	3 separate circuits. Tank capacity: 200 gal.
Control system:	Infinite variation of all crane movements by control levers with automatic reset to zero.
Main hoist:	Rope drum with special grooving and integrated planetary gear with multiple-disc brake and axial piston variable displacement motor.
Derricking:	1 cylinder with safety holding valve, boom angle from -1,5° to +84°.
Slewing:	Vane motor, planetary gear and holding brake.
Cab:	Aluminium , full vision, safety glass, adjustable operator's seat with hydraulic suspension, motor-independent heating, instrumentation and operating controls for carrier and superstructure.
Safety installations:	Hoist and lowering limit switch, pipe check valves, pressure relief valves.
Telescopic boom:	Welded construction in high strength steel, 1 base section, 3 telescopic sections. Total boom length: 125 ft, hydraulic full power boom.

Additional equipment

Drive:	8x8
Tyres:	8 tyres, 16.00 R 25.
Swing-away lattice:	2-stage, stowing alongside boom, 33–52 ft.
Aux. hoist:	2nd hoisting gear.
Driver's cab:	Engine independent heating with engine preheater.
Safe load indicator:	Electronic load moment safety device (type EKS 83) with automatic cut-out and digital display for actual and admissible load, radius and various working conditions.
Steer:	All-wheel steer-of-road travel.

Further equipment upon request.

Weights / Working speeds



Axle	1	2	3	4	Total weight
1000 lbs	26,5	26,5	26,5	26,5	106*

* incl. 23.000 lbs counterweight



Lifting capacity (tons)	Sheaves	Parts of line	Weight lbs
50	3	1 - 7	1450
20	1	1 - 3	700



Gear	1	2	3	4	5	R	Gradeability max.
On-road (mp/h)	7,6	12,5	21,3	30,2	43,1	8,9	
Off-road (mp/h)	5,0	8,1	13,8	19,4	27,6	5,7	75%
Tyres	14.00 R 25						



Drives	infinitely variable	Rope diameter / Rope length	Max. single line pull
Main hoist	0 - 410 ft / min single line	19 mm (3/4") / 180 m	13500 lbs
Auxiliary hoist	0 - 410 ft / min single line	19 mm (3/4") / 160 m	13500 lbs
Swing gear	0 - 2,2 min ⁻¹		
Boom elevation	approx. 50 seconds to reach -1,5° + 84° boom angle		
Telescoping	approx. 150 seconds for boom length from 38 - 125 ft		



Telescopic boom



On outriggers



Working range



Axle load



Hook blocks and hook



Crane movements



Speed



Swing-away lattice



free on wheels

Main boom

Lifting capacities in 1000 lbs



38-125 ft



360°

Counterweight **31,8*** lbs

Radius ft	38 ft	67 ft	67 ft	96 ft	96 ft	125 ft	Radius ft
10*	160.0						10*
10	152.2						10
15	108.8	84.9	43.7				15
20	86.2	79.3	43.7	43.7	24.3		20
25	67.1	68.5	43.7	42.9	24.3	24.3	25
30	49.3	55.8	43.0	38.8	24.3	24.3	30
35		43.7	38.4	34.7	24.3	24.3	35
40		35.2	34.7	31.4	24.1	24.0	40
45		28.8	30.6	28.0	22.3	22.2	45
50		23.9	25.8	23.5	20.6	20.4	50
55				19.6	19.1	18.7	55
60				16.6	17.8	17.1	60
65				14.0	16.6	15.7	65
70				11.9	15.6	13.9	70
75				10.1	14.3	12.0	75
80				8.6	12.7	10.5	80
85				7.3	11.3	9.1	85
90						7.9	90
95						6.9	95
100						5.9	100
105						5.1	105
110						4.3	110
T1	0	0.5	0	1	0	1	T1
T2	0	0.5	1	1	1	1	T2
T3	0	0	0	0	1	1	T3

* over rear

*1000 lbs



38-125 ft



360°

Counterweight **23,0*** lbs

Radius ft	38 ft	67 ft	67 ft	96 ft	96 ft	125 ft	Radius ft
10	152.2						10
15	108.8	84.9	43.7				15
20	86.2	79.3	43.7	43.7	24.3		20
25	67.1	65.5	43.7	42.9	24.3	24.3	25
30	49.3	49.4	43.0	38.8	24.3	24.3	30
35		38.4	38.4	34.7	24.3	24.3	35
40		30.6	32.7	30.2	24.1	24.0	40
45		24.8	26.8	24.4	22.3	22.2	45
50		20.4	22.3	20.0	20.6	20.4	50
55				16.5	19.1	18.4	55
60				13.8	17.7	15.8	60
65				11.5	15.8	13.5	65
70				9.6	13.8	11.5	70
75				8.0	12.1	9.9	75
80				6.6	10.7	8.5	80
85				5.4	9.4	7.2	85
90						6.2	90
95						5.2	95
100						4.4	100
105						3.6	105
110						2.9	110
T1	0	0.5	0	1	0	1	T1
T2	0	0.5	1	1	1	1	T2
T3	0	0	0	0	1	1	T3

*1000 lbs

Main boom – free on wheels

Lifting capacities in 1000 lbs



38 – 67 ft



0°*

Counterweight

23.0*

lbs

Radius ft	38 ft	67 ft	Radius ft
10	38.0		10
15	28.5	28.5	15
20	21.0	21.0	20
25	14.1	14.1	25
30		11.0	30
35		9.7	35
40		6.4	40
45		5.0	45
T1	0	0	T1
T2	0	1	T2
T3	0	0	T3

*± 0° over rear

*1000 lbs

Load capacities above bold line are based on structural strength, and tipping must not be relied upon as a limitation of lifting capacity.

Rated loads must not be exceeded.

Notes for lifting capacities

Rated loads do not exceed 85% of tipping load with the machine properly levelled on firm ground.

360° duties – on outriggers fully extended.

Note counterweight required as listed in relevant lifting capacity columns.

For safe crane operation due allowance must be made to compensate for high winds, side load, pendulum action and other hazardous conditions. No side pull permitted.

Hook blocks, slings and / or boom attachments are considered part of load, and their weight must be deducted from the rated lifting capacity to determine the net load.

Boom must be extended in accordance with sequence as noted on lifting capacity chart.

Consult crane manual to determine weight reduction for load handling devices and boom attachments.

Operate crane strictly in compliance with operator's manual.

Main boom + swing-away extension

Lifting capacities in 1000 lbs



33-52 ft



360°

Counterweight

23.0*

lbs

Radius ft	Main boom length 125 ft				Radius ft
	Lattice extension length 33 ft		Lattice extension length 52 ft		
	158 ft 0°	157 ft 16°	177 ft 0°	175 ft 16°	
30	11.2				30
35	11.2	8.7	6.1		35
40	11.2	8.7	6.1	6.1	40
45	11.2	8.7	6.1	6.1	45
50	10.8	8.4	6.1	6.0	50
55	10.3	8.0	6.1	5.8	55
60	9.7	7.7	6.1	5.6	60
65	9.1	7.3	5.9	5.4	65
70	8.5	7.0	5.6	5.2	70
75	7.9	6.7	5.2	5.0	75
80	7.4	6.4	4.9	4.8	80
85	6.9	6.1	4.6	4.5	85
90	6.4	5.8	4.4	4.3	90
95	5.4	5.3	4.2	4.1	95
100	4.5	4.4	4.0	3.8	100
105	3.7	3.6	3.9	3.6	105
110	3.0	2.9	3.7	3.3	110
115	2.4	2.3	3.1	3.0	115
120			2.6	2.4	120
T1	1	1	1	1	T1
T2	1	1	1	1	T2
T3	1	1	1	1	T3

*1000 lbs



33-52 ft



360°

Counterweight

12.8*

lbs

Radius ft	Main boom length 125 ft				Radius ft
	Lattice extension length 33 ft		Lattice extension length 52 ft		
	158 ft 0°	157 ft 16°	176 ft 0°	175 ft 16°	
30	11.2				30
35	11.2	8.7	6.1		35
40	11.2	8.7	6.1	6.1	40
45	11.2	8.7	6.1	6.1	45
50	10.8	8.4	6.1	6.0	50
55	10.3	8.0	6.1	5.8	55
60	9.7	7.7	6.1	5.6	60
65	9.1	7.3	5.9	5.4	65
70	8.5	7.0	5.6	5.2	70
75	7.4	6.7	5.2	5.0	75
80	6.1	6.0	4.9	4.8	80
85	4.9	4.8	4.6	4.5	85
90	4.0	3.9	4.4	4.3	90
95	3.1	3.0	3.9	3.8	95
100			3.2	3.0	100
105			2.5	2.4	105
T1	1	1	1	1	T1
T2	1	1	1	1	T2
T3	1	1	1	1	T3

*1000 lbs

Main boom + swing-away extension

Lifting capacities in 1000 lbs



33-52 ft



360°

12.8*

Counterweight lbs

Radius ft	Main boom length 111 ft				Radius ft
	Lattice extension length 33 ft		Lattice extension length 52 ft		
	143 ft 0°	142 ft 16°	162 ft 0°	160 ft 16°	
30	17.4	12.0	8.4	8.4	30
35	16.4	12.0	8.4	8.4	35
40	15.4	12.0	8.4	8.4	40
45	14.5	11.4	8.2	8.3	45
50	13.5	10.9	8.0	7.9	50
55	12.7	10.5	7.7	7.5	55
60	11.8	10.1	7.5	7.0	60
65	10.2	9.7	7.2	6.6	65
70	8.4	8.3	6.9	6.2	70
75	6.9	6.8	6.6	5.8	75
80	5.6	5.5	6.3	5.5	80
85	4.5	4.4	5.5	5.2	85
90	3.5	3.4	4.5	4.4	90
95	2.7	2.6	3.6	3.5	95
100			2.9	2.8	100
T1	1	1	1	1	T1
T2	1	1	1	1	T2
T3	0.5	0.5	0.5	0.5	T3

*1000 lbs



33-52 ft



360°

31.8*

Counterweight lbs

Radius ft	Main boom length 125 ft				Radius ft
	Lattice extension length 33 ft		Lattice extension length 52 ft		
	143 ft 0°	142 ft 16°	162 ft 0°	160 ft 16°	
30	11.2				30
35	11.2	8.7	6.1		35
40	11.2	8.7	6.1	6.1	40
45	11.2	8.7	6.1	6.1	45
50	10.8	8.4	6.1	6.0	50
55	10.3	8.0	6.1	5.8	55
60	9.7	7.7	6.1	5.6	60
65	9.1	7.3	5.9	5.4	65
70	8.5	7.0	5.6	5.2	70
75	7.9	6.7	5.2	5.0	75
80	7.4	6.4	4.9	4.8	80
85	6.9	6.1	4.6	4.5	85
90	6.6	5.8	4.4	4.3	90
95	6.3	5.6	4.2	4.1	95
100	6.0	5.3	4.0	3.8	100
105	5.3	5.1	3.9	3.6	105
110	4.6	4.5	3.9	3.3	110
115	3.9	3.8	3.8	3.1	115
120	3.2	3.1	3.7	3.0	120
125	2.4	2.5	3.4	2.9	125
130		0.8	1.1	2.7	130
T1	1	1	1	1	T1
T2	1	1	1	1	T2
T3	1	1	1	1	T3

*1000 lbs

Main boom + swing-away extension

Lifting capacities in 1000 lbs



33-52 ft



360°

31.8*

Counterweight lbs

Radius ft	Main boom length 111 ft				Radius ft
	Lattice extension length 33 ft		Lattice extension length 52 ft		
	143 ft 0°	142 ft 16°	162 ft 0°	160 ft 16°	
30	17.4	12.0	8.4		30
35	16.4	12.0	8.4	8.4	35
40	15.4	12.0	8.4	8.4	40
45	14.5	11.4	8.2	8.3	45
50	13.5	10.9	8.0	7.9	50
55	12.7	10.5	7.7	7.5	55
60	11.8	10.1	7.5	7.0	60
65	11.0	9.7	7.2	6.6	65
70	10.3	9.3	6.9	6.2	70
75	9.6	8.9	6.6	5.8	75
80	8.9	8.4	6.4	5.5	80
85	8.3	7.8	6.2	5.2	85
90	7.7	7.2	6.0	5.0	90
95	6.7	6.6	5.8	4.9	95
100	5.7	5.6	5.7	4.8	100
105	4.9	4.8	5.6	4.7	105
110	4.1	4.0	5.0	4.7	110
115	3.4	3.3	4.3	4.2	115
120	1.3	2.7	3.7	3.6	120
125			3.1	3.0	125
130			1.0	1.0	130
T1	1	1	1	1	T1
T2	1	1	1	1	T2
T3	0.5	0.5	0.5	0.5	T3

*1000 lbs



33-52 ft



360°

23.0*

Counterweight lbs

Radius ft	Main boom length 111 ft				Radius ft
	Lattice extension length 33 ft		Lattice extension length 52 ft		
	143 ft 0°	142 ft 16°	162 ft 0°	160 ft 16°	
30	17.4	12.0	8.4		30
35	16.4	12.0	8.4	8.4	35
40	15.4	12.0	8.4	8.4	40
45	14.5	11.4	8.2	8.3	45
50	13.5	10.9	8.0	7.9	50
55	12.7	10.5	7.7	7.5	55
60	11.8	10.1	7.5	7.0	60
65	11.0	9.7	7.2	6.6	65
70	10.3	9.3	6.9	6.2	70
75	9.6	8.9	6.6	5.8	75
80	8.3	8.2	6.4	5.5	80
85	7.1	7.0	6.2	5.2	85
90	5.9	5.8	6.0	5.0	90
95	4.9	4.8	5.8	4.9	95
100	4.1	4.0	5.0	4.7	100
105	3.3	3.2	4.2	4.1	105
110	2.6	2.5	3.5	3.4	110
115			2.9	2.8	115
T1	1	1	1	1	T1
T2	1	1	1	1	T2
T3	0.5	0.5	0.5	0.5	T3

*1000 lbs

Main boom

Lifting capacities in 1000 lbs



38-125 ft



360°

12,8*

Counterweight lbs

Radius ft	38 ft	67 ft	67 ft	96 ft	96 ft	125 ft	Radius ft	
10	152.2						10	
15	108.9	84.9	43.7				15	
20	83.9	78.7	43.7	43.7	24.3		20	
25	59.1	57.4	43.7	42.9	24.3	24.3	25	
30	43.5	41.9	42.7	38.7	24.3	24.3	30	
35		32.3	34.5	31.9	24.3	24.3	35	
40		25.3	27.4	24.9	24.1	24.0	40	
45		20.2	22.2	19.8	22.3	21.7	45	
50		16.4	18.2	15.9	20.4	18.1	50	
55				12.9	17.4	15.0	55	
60				10.5	14.9	12.5	60	
65				8.5	12.8	10.5	65	
70				6.7	11.1	8.8	70	
75				5.3	9.6	7.3	75	
80				4.0	8.3	6.0	80	
85				2.9	7.2	4.9	85	
90						3.9	90	
95						3.1	95	
100						2.4	100	
	T1	0	0.5	0	1	0	1	T1
	T2	0	0.5	1	1	1	1	T2
	T3	0	0	0	0	1	1	T3

*1000 lbs

KRUPP Hydraulic Mobile Cranes

Product Range

All-Terrain Cranes		Max. lifting capacity	Max. hook height
KMK 2030		30 ton	122 ft
KMK 3045		45 ton	148 ft
KMK 4065		65 ton	167 ft
KMK 4080		80 ton	178 ft
KMK 5110		110 ton	230 ft*
KMK 5130		130 ton	201 ft
KMK 6165		165 ton	296 ft*
KMK 6275		275 ton	350 ft*

* incl. power luffing jib

KRUPP Industries Inc.
1370 Washington Pike
Bridgeville Pa 15017
Telephone (412) 257-5680
Telefax (412) 221-7684

KRUPP Canada Inc.
429 Dewitt Rd., Unit 15
Stoney Creek/Ontario L8E 4C3
Telephone (416) 664-6592
Telefax (416) 664-2789

Subject to technical modifications without notice