

# GROVE®

## FULL HYDRAULIC

# SELF-PROPELLED CRANE

# INDUSTRIAL MODEL 24 YARD CRANE

6 TON CAPACITY

9 ft. - 20 ft. BOOM and 10 ft. EXTENSION

85% OF TIPPING

### RATED LIFTING CAPACITIES IN POUNDS

#### ON OUTRIGGERS FULLY EXTENDED

9-20 FT. BOOM			10 FT. BOOM EXTENSION	
RADIUS IN FEET	FRONT & REAR (DEFINED AREA)	360°	FRONT & REAR (DEFINED AREA)	360°
6	*12,000	*12,000		
8	*11,000	*10,000	6,000	6,000
10	**10,300	6,250	4,750	4,750
12	7,200	4,650	3,875	3,875
14	5,750	3,650	3,350	3,350
16	4,700	2,800	2,925	2,925
18	3,750	2,300	2,600	2,350
20			2,325	1,950
22			2,150	1,750
24			2,050	1,525
26			1,750	1,300
27.6			1,400	1,100

A6-829-002304

Capacities appearing above bold line are based on machinery strength and tipping should not be relied upon as a capacity limitation.

Capacities do not exceed 85% of tipping loads as determined by SAE recommended test code (SAE J-765).

\*12 ft. maximum permissible boom length.

\*\*12 ft. 6 in. maximum permissible boom length.

#### ON RUBBER CAPACITIES

9-20 FT. BOOM				10 FT. BOOM EXTENSION	
RADIUS IN FEET	FRONT & REAR (DEFINED AREA)	360°	PICK & CARRY BOOM FRONT CENTERED	FRONT & REAR (DEFINED AREA)	360°
6	†9,000	7,450	8,000		
8	6,400	4,650	5,600	6,000	5,100
10	4,400	3,375	3,600	4,750	3,900
12	3,350	2,450	2,600	3,875	2,750
14	2,550	1,900	1,900	2,950	2,075
16	2,000	1,500	1,500	2,350	1,600
18	1,450	1,125	1,100	1,900	1,300
20				1,500	1,100
22				1,200	925
24				900	750
26				600	575
27.6				400	400

A6-829-002310

†11,000 lbs. with stationary Boom Centered Front.

Capacities appearing above bold line are based on machinery strength and tipping should not be relied upon as a capacity limitation.

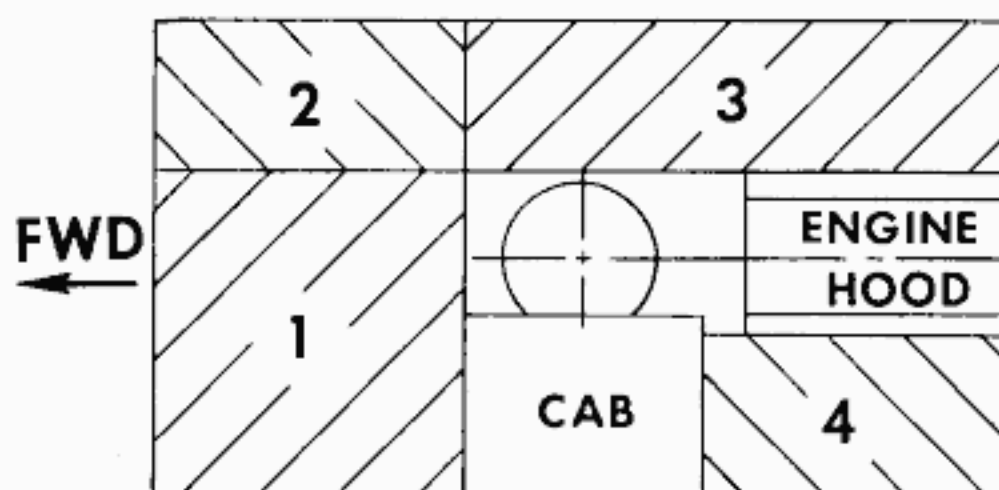
On rubber capacities based on 10:00x15 (14 ply) mine and industrial service tires and 90 PSI cold inflation pressures.

Pick and carry capacities rated at 2.5 MPH MAXIMUM with boom centered over the front using the shortest boom length practical on smooth level firm surfaces. Pick and carry loads are allowed on main boom only - not on boom extension but unit may be driven with boom extension erected and main boom retracted.

#### NOTES FOR LIFTING CAPACITIES

- Rated lifting capacities are based on freely suspended loads. They are the maximum covered by the manufacturer's warranty with the machine leveled and standing on a firm supporting surface. Ratings with outriggers are based on outriggers being extended to their maximum position.
- Practical working loads for each particular job shall be established by the user depending on operating conditions; including the supporting surface, wind and other factors affecting stability, hazardous surroundings, experience of personnel, handling of load, etc.
- Operating radius is the horizontal distance from the axis of rotation to the centerline of the hoist line or tackle with loads applied.
- "On Rubber" lifting (if permitted) depends on proper tire inflation, capacity, and condition. "On Rubber" loads may be transported at maximum vehicle speed of 2.5 mi/hr. (4 km/hr.) on a smooth and level surface only.
- Boom extensions may be used for lifting crane service only. Boom extension capacities are based on structural strength of boom extension or main boom and on main boom angle regardless of boom length.
- Operation is not intended or approved for any conditions outside of those shown hereon. Handling of personnel from the boom is not authorized except with equipment furnished and installed by Grove Manufacturing Company.
- Long cantilever booms can create a tipping condition when in extended and lowered position.
- The maximum load which may be telescoped is limited by hydraulic pressure, boom angle, boom lubrication, etc. It is safe to attempt to telescope any load within the limits of rated lifting capacity chart.
- With certain boom and hoist tackle combinations, maximum capacities may not be obtainable with standard cable lengths.
- With certain boom and load combinations, raising of load with boom lift cylinders may not be possible. Operational safety is not affected by this condition.
- Keep load handling devices a minimum of 12 inches (30 cm) below boom head when lowering or extending boom.

#### LOAD DISTRIBUTION CHART FOR CARRY DECK

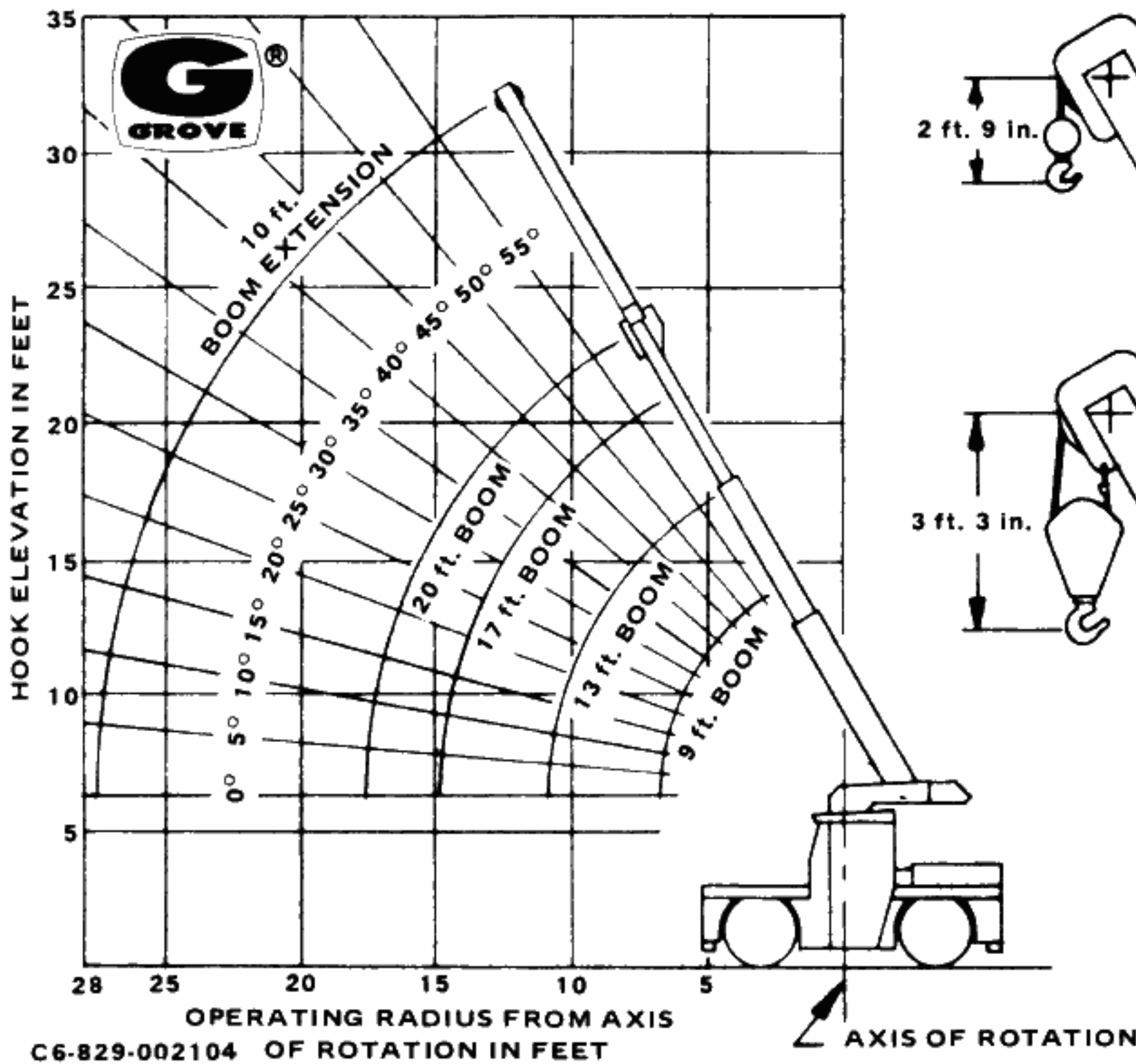


Maximum Allowable Load — 230 lbs. per sq. ft.

Area 1	17.0 sq. ft.	4,500 lbs.
Area 2	7.7 sq. ft.	2,010 lbs.
Area 3	13.4 sq. ft.	3,510 lbs.
Area 4	7.5 sq. ft.	1,980 lbs.
Total	45.6 sq. ft.	12,000 lbs.

- Maximum travel speed with any or all loads 2.5 MPH.
- Loads to be transported on smooth level firm surfaces only.
- Boom must be retracted and in center forward position.
- Lifting is not permitted when carry deck is loaded except for loading and unloading carry deck.
- Any combination or total of Areas 1 thru 4 can be used.

## RANGE DIAGRAM



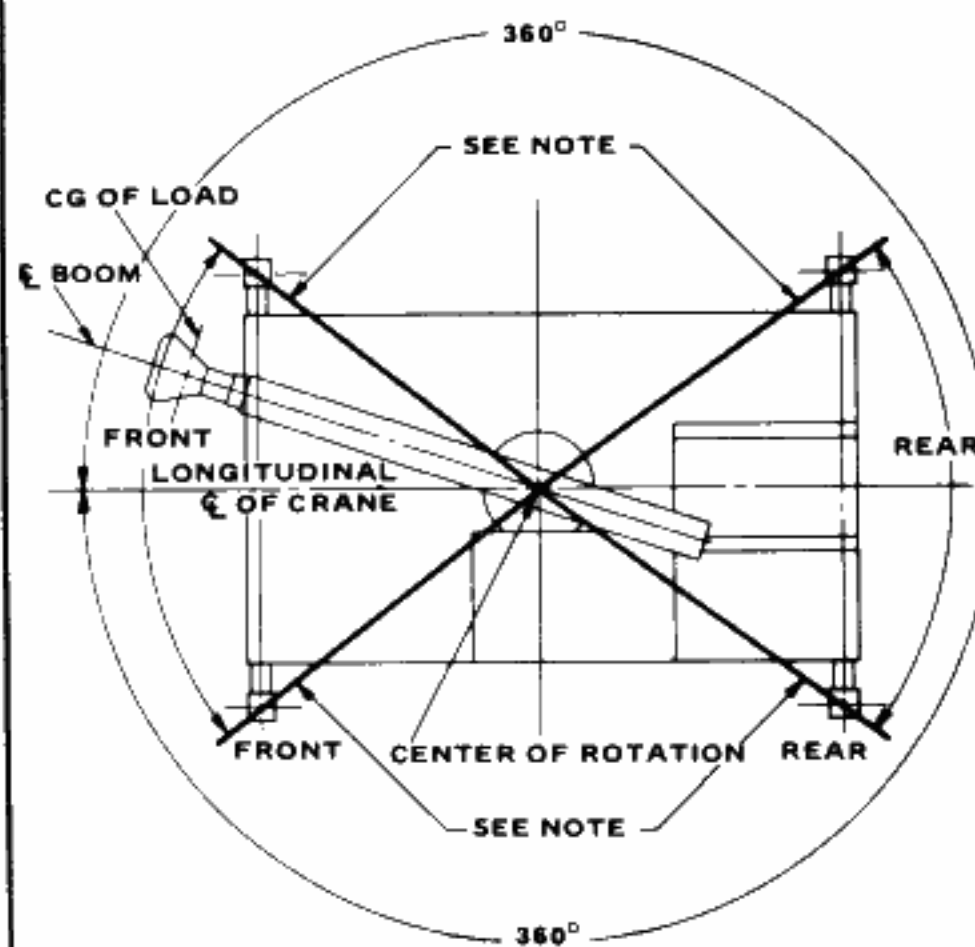
### WEIGHT REDUCTION FOR LOAD HANDLING DEVICES

10 ft. BOOM EXTENSION WITH 9 - 20 ft. BOOM	
STOWED	50 lbs.
ERECTED	600 lbs.
Hook Block	119 lbs.
Headache Ball	42 lbs.

NOTE: All load handling devices and boom attachments are considered part of the load and suitable allowances must be made for their combined weights. Weights are for Grove furnished equipment.

## LIFTING AREA DIAGRAMS

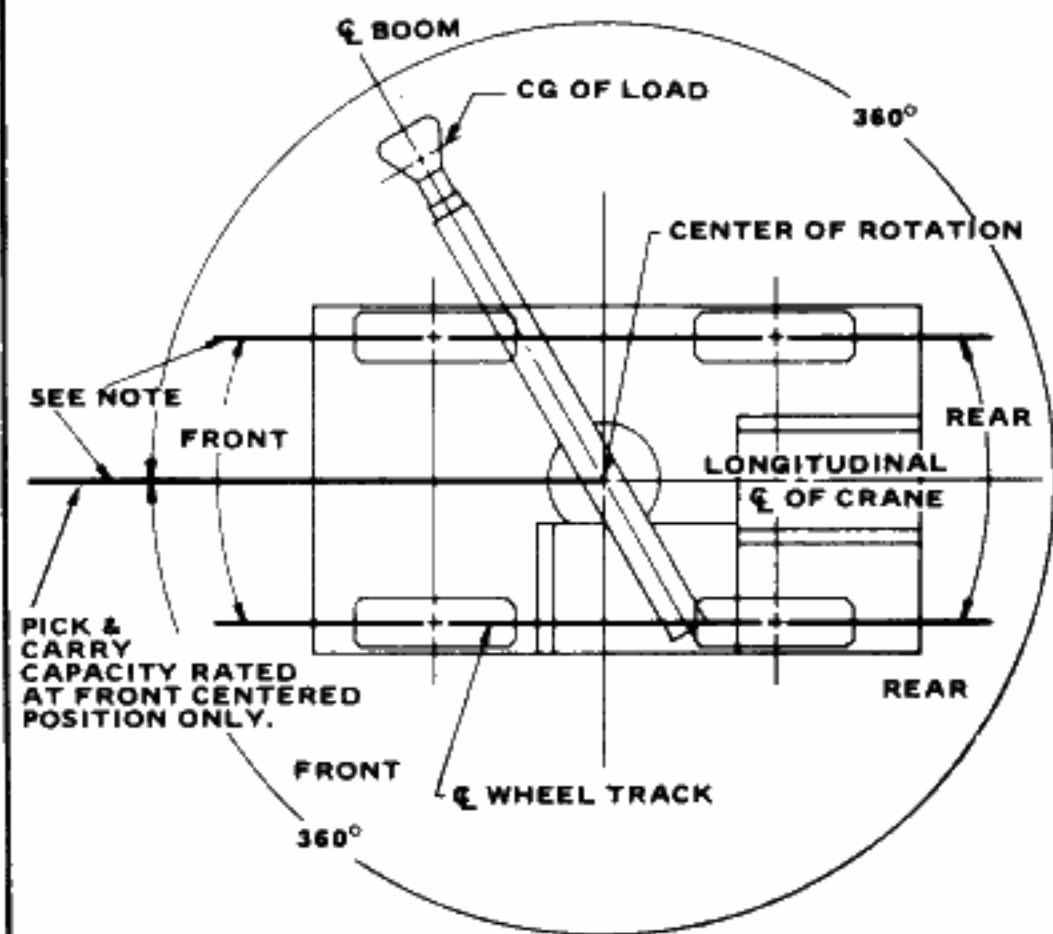
### ON OUTRIGGERS FULLY EXTENDED



NOTE: BOLD LINES DETERMINE THE LIMITING POSITION OF ANY LOAD FOR OPERATION WITHIN WORKING AREAS INDICATED.

C6-829-002353

### ON RUBBER



NOTE: BOLD LINES DETERMINE THE LIMITING POSITION OF ANY LOAD FOR OPERATION WITHIN WORKING AREAS INDICATED.

C6-829-002354



**GROVE MANUFACTURING COMPANY**

Division of Walter Kidde & Company, Inc.

**KIDDE**

Box 21, Shady Grove, Pennsylvania 17256

Distributed by: