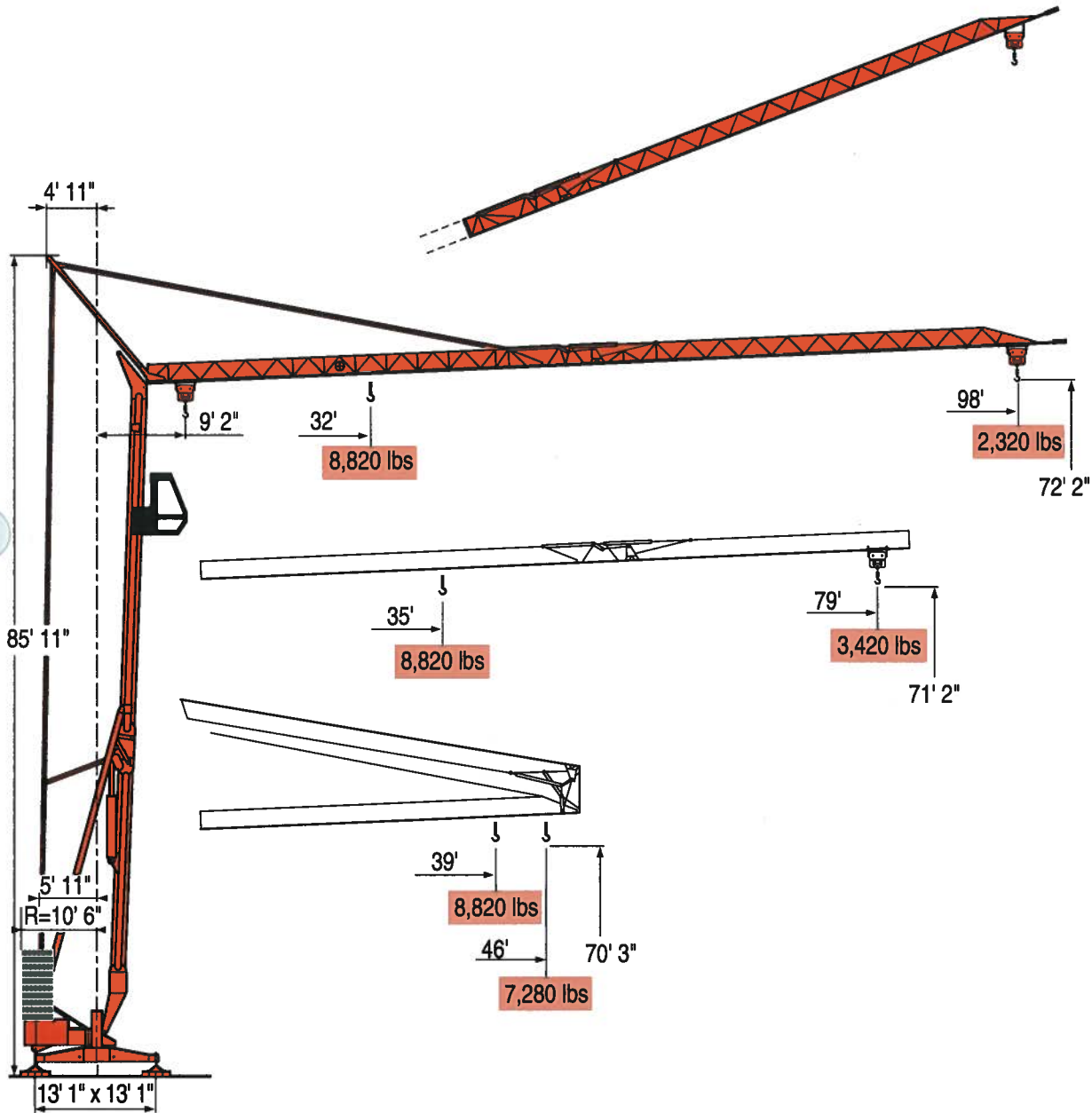


HD 32 B



Igo
HD
HDM



HDT



GTMR



CITY CRANE



TOPKIT MD
MAXI MD



MAXI TOPKIT



Topless MDT



MR



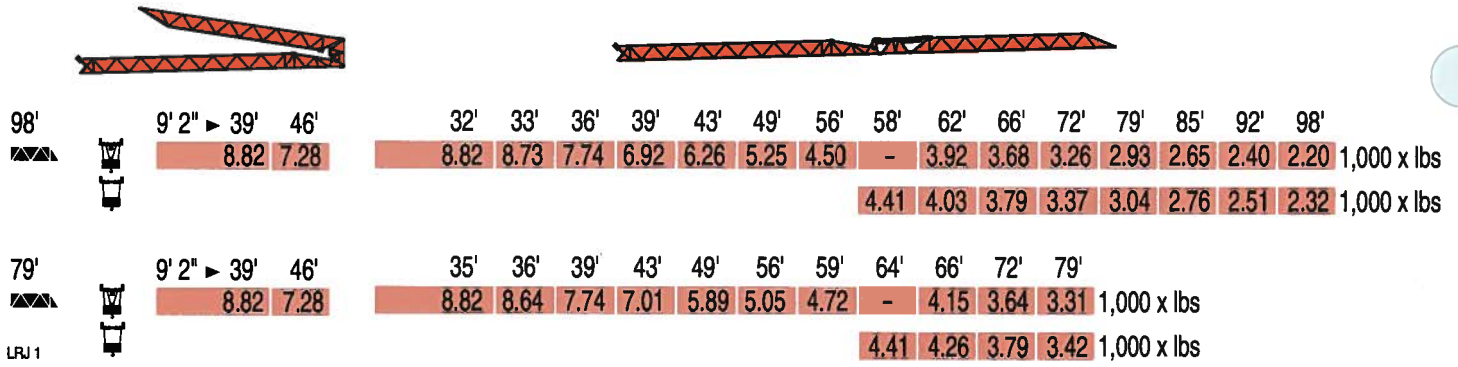
LRJ 1



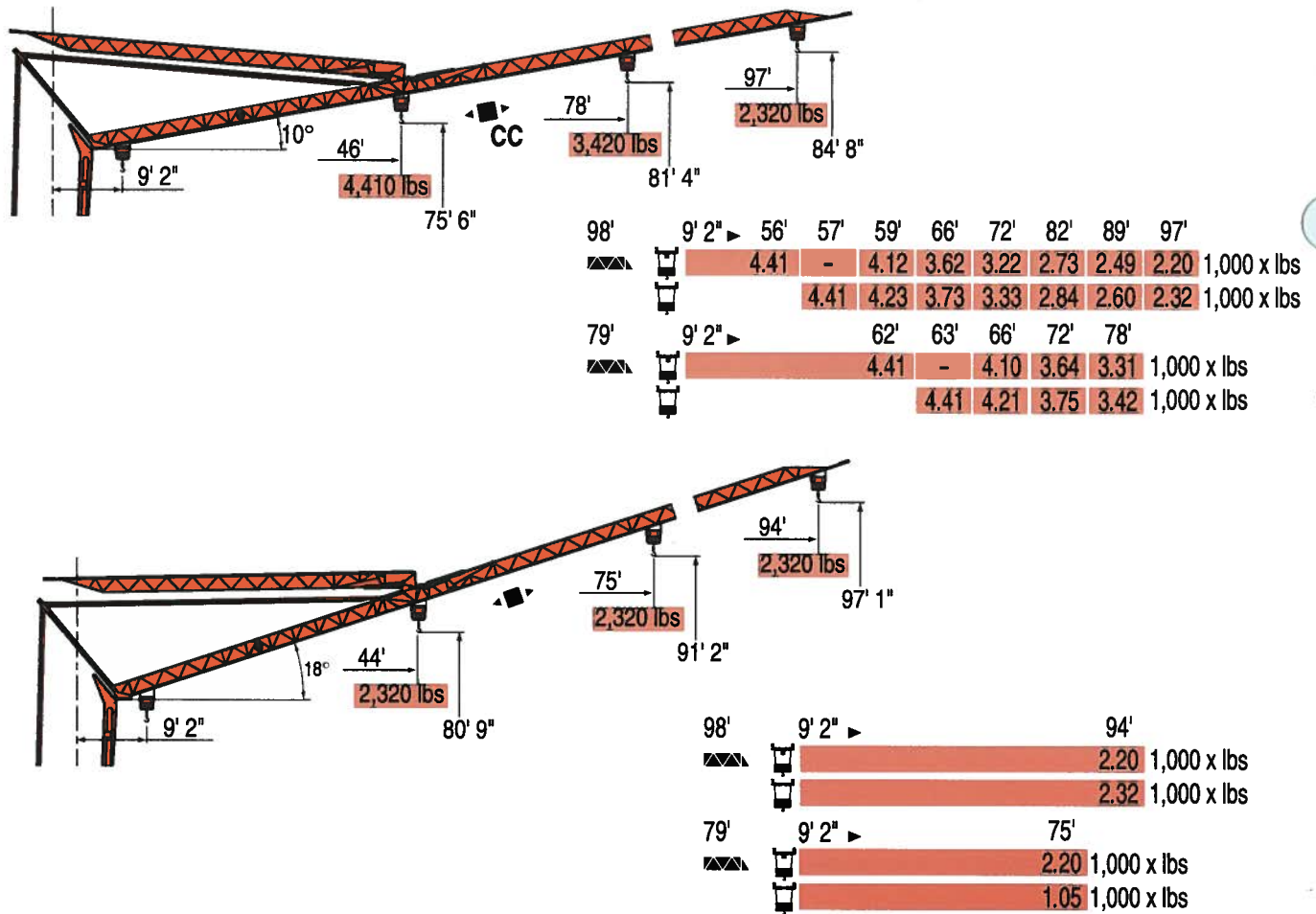
Manitowoc Crane Group

POTAIN

Load diagrams

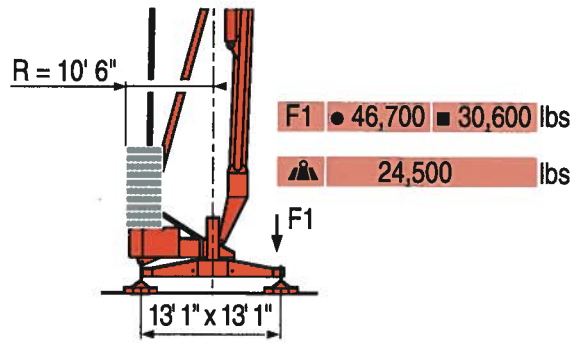


Luffing jib



- Traversing trolley
- Traversing trolley and load diagrams

Reactions



LRJ 1

- Reactions in service
- Reactions out of service
- 🏗️ Without load, ballast (or transport axles), with maximum jib and maximum height.

Mechanisms

		🏗️				🏗️				ch - PS hp	kW	
▲▼	15 LVF 10	fpm	20	106	169	209	10	53	85	104	18	13.2
		lbs	4,410	4,410	2,760	2,320	8,820	8,820	5,510	4,410		
◀▶	15 RPC 10 A	fpm	35	106	213		18	53	106		18	13.2
		lbs	4,410	4,410	2,320		8,820	8,820	4,410			
◀▶	3 D2 V5/2	fpm	83 - 165							3.2	2.4	
🌀	RVF 30	rpm	0 → 0.2 → 1							1.8	1.32	
		CEI 38	🔌 IEC 38		kVA							
		480 V (+6% -10%) 60 Hz				24 kVA						

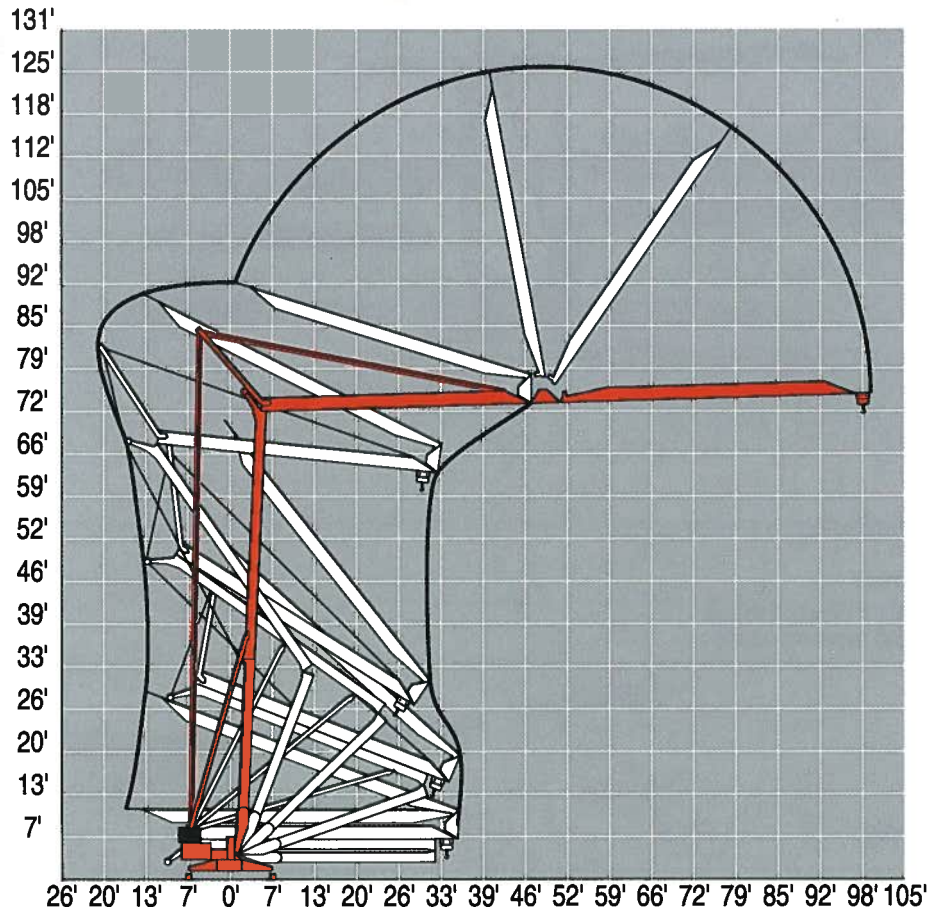
LRJ 1

- ▲ Hoisting
- ◀▶ Trolleying
- 🌀 Slewing



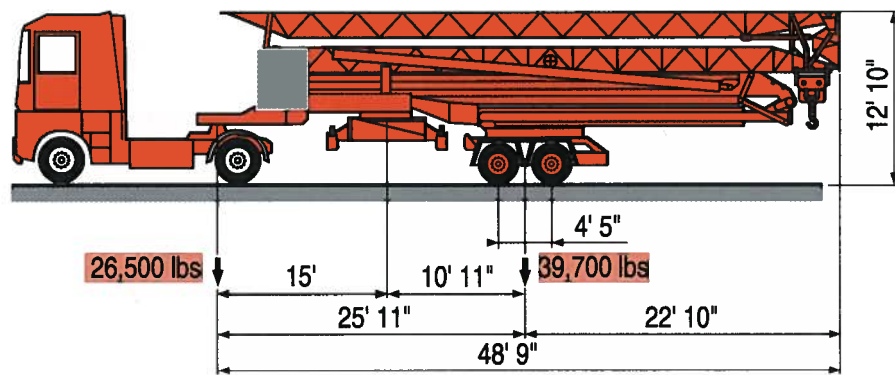
HD 32 B

Erection



LRJ1

Transport: tractor towed version with ballast



LRJ1

1101-HD32B-BR-US-E-5000



© 2001 MANITOWOC CRANE

HD 32 B

Manitowoc Boom Trucks
3000 South Austin Avenue
P.O. Box 1609
Georgetown, TX, USA 78627-1609
Telephone 512-942-3000
Facsimile 512-863-3776
www.manitowocbt.com