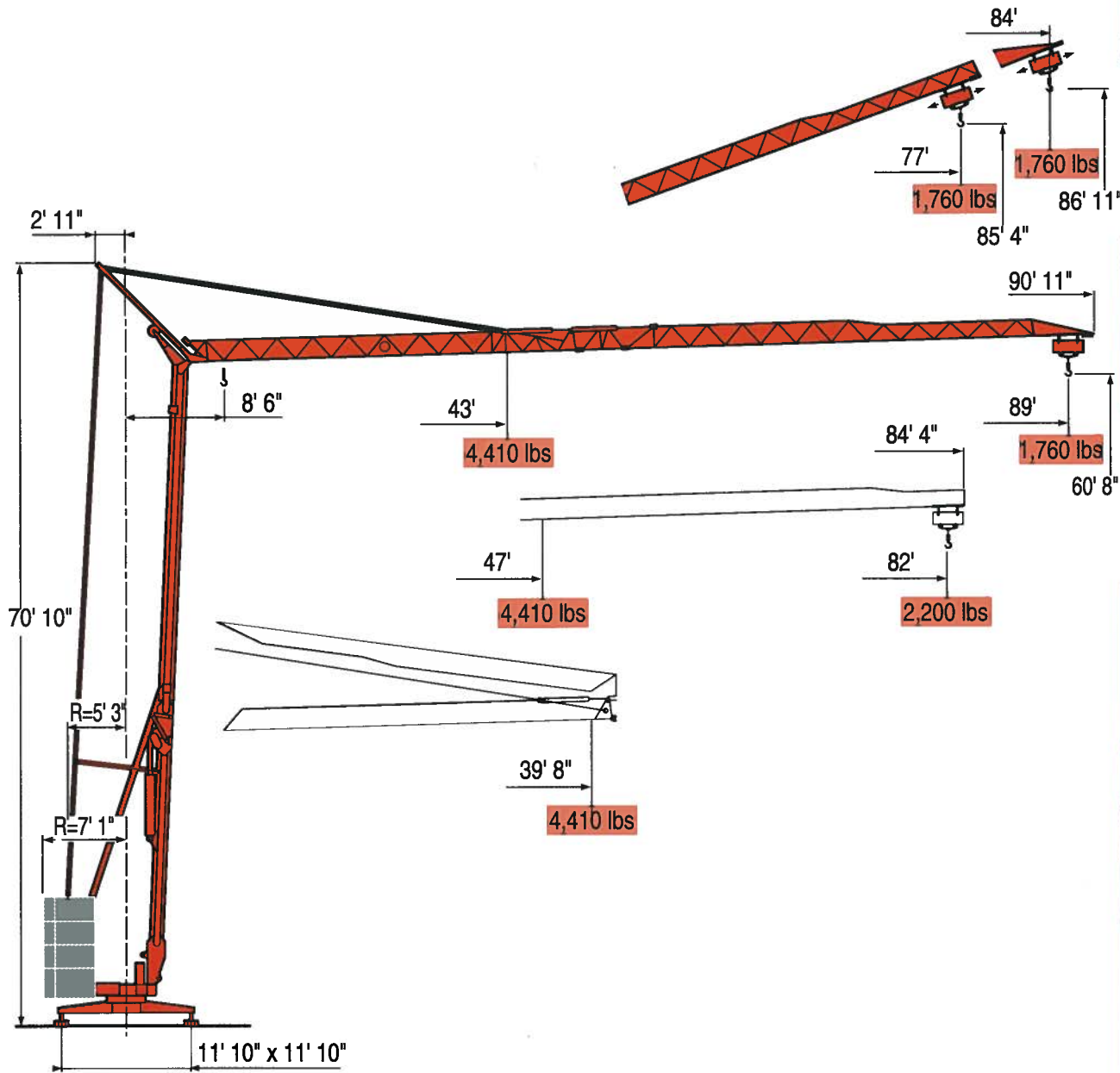


HD 25



Igo
HD
HDM

HDT

GTMR

CITY CRANE

TOPKIT MD
MAXI MD

MAXI TOPKIT

Topless MDT

MR

Manitowoc

Manitowoc Crane Group

POTAIN 

Load diagrams

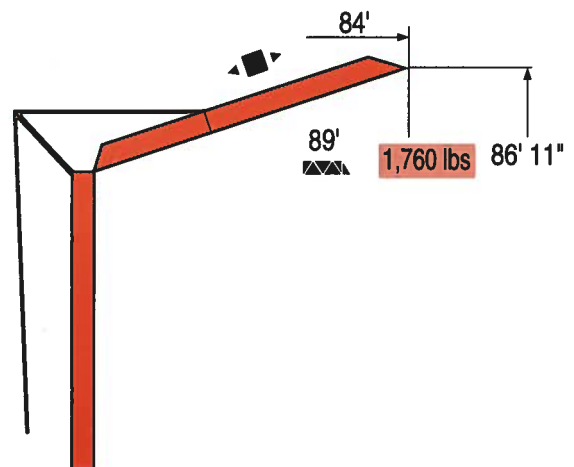
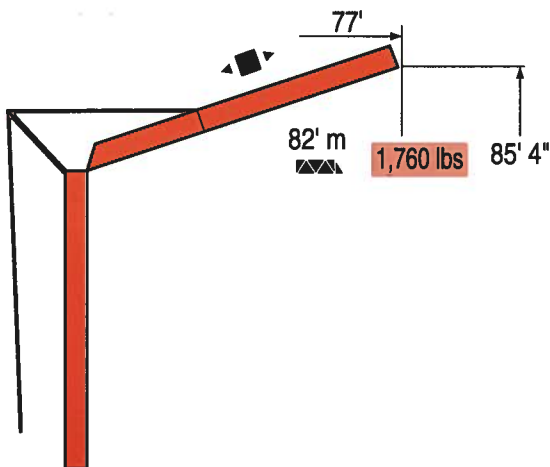


89'	8' 6" ▶	39' 8"	43'	46'	49'	52'	56'	59'	62'	66'	69'	72'	75'	79'	82'	85'	89'	1,000 x lbs
▲▲▲		4.41	4.41	4.01	3.68	3.4	3.15	2.93	2.74	2.57	2.43	2.28	2.16	2.05	1.94	1.85	1.76	

LWF 1

82'	8' 6" ▶	39' 8"	47'	49'	52'	56'	59'	62'	66'	69'	72'	75'	79'	82'	1,000 x lbs
▲▲▲		4.41	4.41	4.13	3.81	3.55	3.31	3.1	2.9	2.73	2.58	2.45	2.32	2.2	

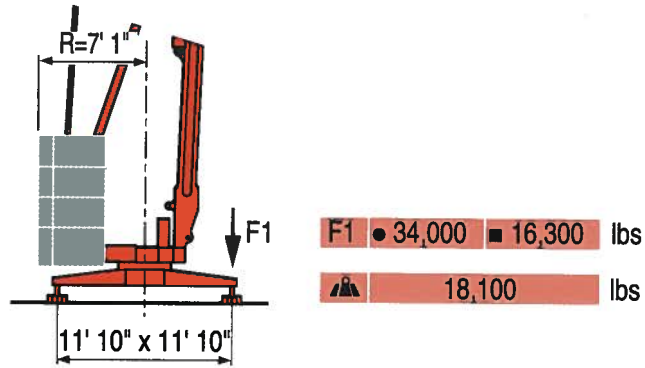
Luffing jib



LWF 1

▲ Traversing trolley

Reactions



LWF 1

- Reactions in service
- Reactions out of service
- ▲ Without load, ballast (or transport axles), with maximum jib and maximum height.

Mechanisms

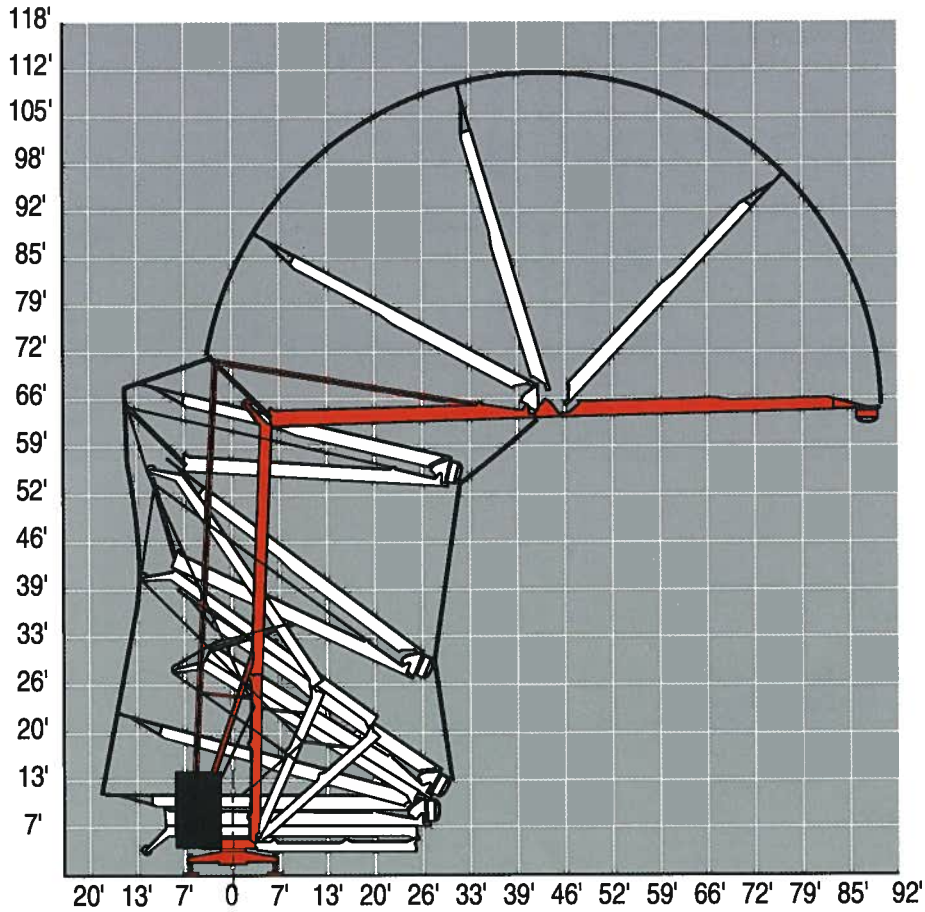
						ch - PS hp	kW
▲ ▼	9 PC 10	fpm	26	79	157	9.8	7.2
		lbs	4,410	4,410	2,200		
	9 LVF 10	fpm	13	66	131	10.3	7.5
		lbs	4,410	4,410	2,200		
◀ ▶	2 D2 V4	fpm	71 - 142			2.4	1.8
⊙	RVF 30	rpm	0 → 0.9			1.5	1.1

CEI 38	IEC 38	kVA
480 V(+6% -10%) 60 Hz		14.4 kVA

LWF 1

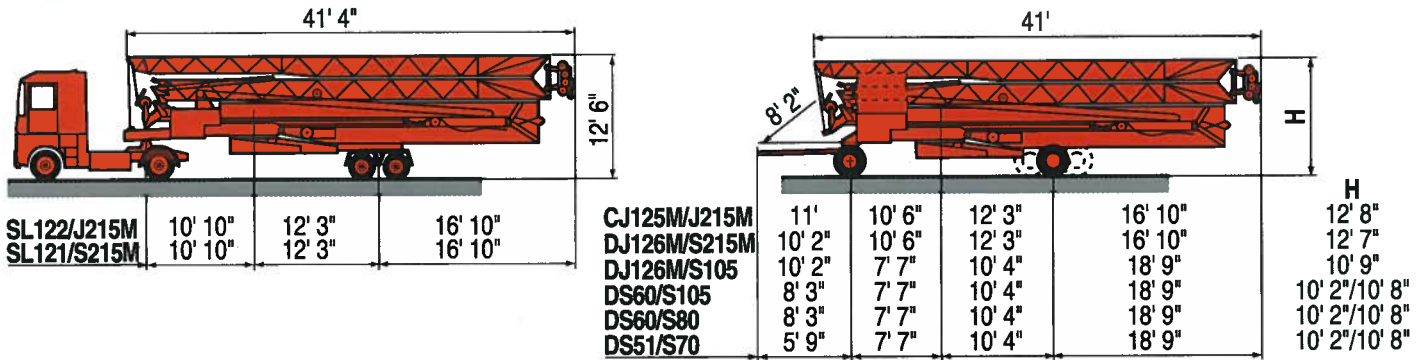
- ▲ Hoisting
- ◀▶ Trolleying
- ⊙ Slewing

Erection



LWF 1

Transport



SL122/J215M

SL121/S215M

CJ125M/J215M

DJ126M/S215M

DJ126M/S105

DS60/S105

DS60/S80 ○

DS51/S70 ○

LWF 1

○ Site

HD 25

Manitowoc Boom Trucks
 3000 South Austin Avenue
 P.O. Box 1609
 Georgetown, TX, USA 78627-1609
 Telephone 512-942-3000
 Facsimile 512-863-3776
 www.manitowocbt.com



Manitowoc Crane Group

POTAIN

1101-HD25-BR-US-E-5000

© 2001 MANITOWOC CRANE