



**INTRODUCING
THE ALL NEW
NATIONAL
1200**

**Truck-mounted
Telescoping Crane**

**Longest reach
in the industry!**

Maximum Vertical Reach: 150 feet

**Maximum Capacity: 17½ Tons
(at 10-foot radius)**





Boom and Jib Combination

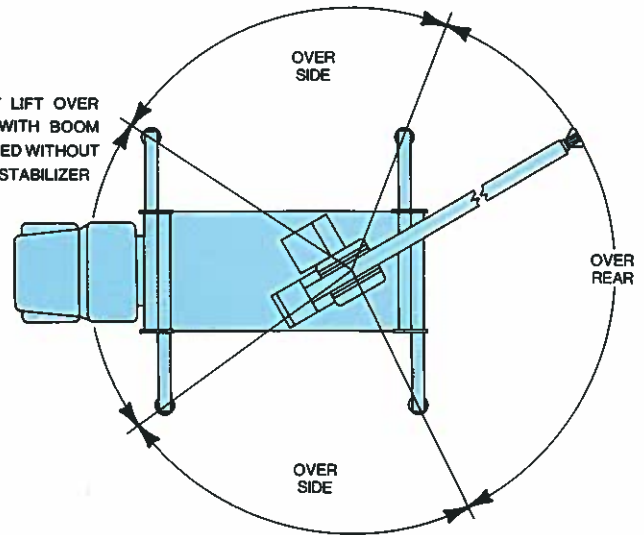
The 1200 is equipped with a 95-foot, fully hydraulic, four-section proportional boom. A 29- to 52-foot side stowing, manual pull-out jib is optional.

Do not operate cranes or accessories within 10 feet (3m) of live power lines.

1. Load ratings shown on these charts are maximum allowable loads with the outriggers properly extended on a firm, level surface and the crane leveled and mounted on a factory-recommended truck.

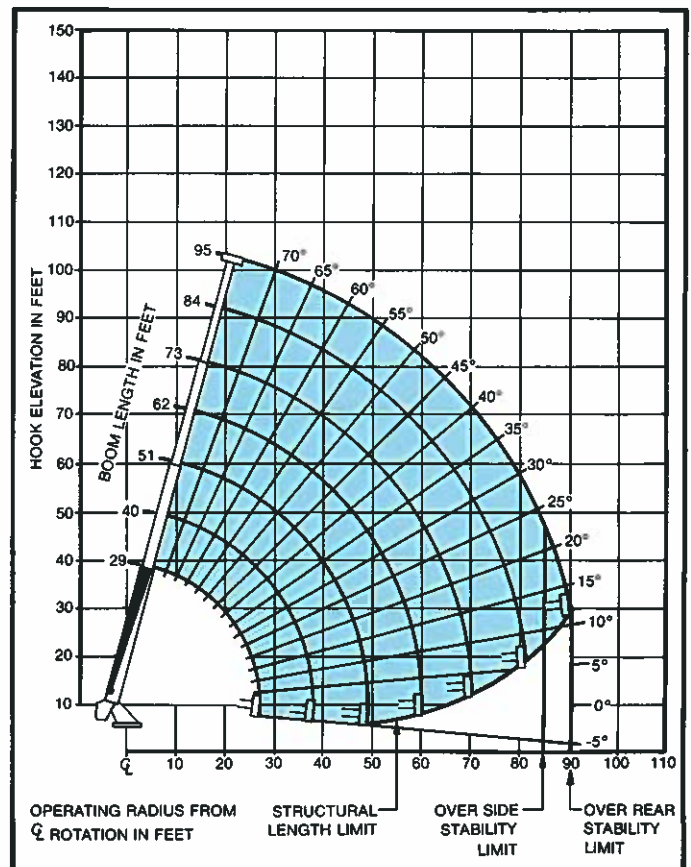
2. Always level the crane with the level indicator located at the outrigger control station.
3. The operator must reduce loads to allow for factors such as wind, ground conditions, operating speeds and the effect of freely swinging loads.
4. Overloading this crane may cause structural collapse or instability.
5. Weights of any accessories attached to the boom or loadline must be deducted from the load chart capacities.
6. Do not exceed jib capacities at any reduced boom lengths.

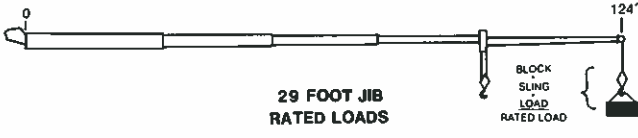
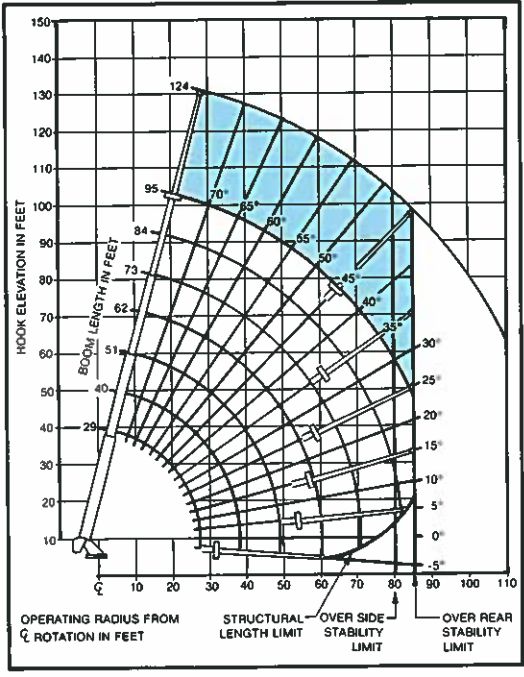
DO NOT LIFT OVER FRONT WITH BOOM EXTENDED WITHOUT FRONT STABILIZER OPTION



29 TO 52 FOOT JIB STORED													29 TO 95 FOOT BOOM		
RATED LOADS													BLOCK SLING LOAD RATED LOAD		
LOAD RADIUS	LOAD BOOM ANGLE	OVER SIDE	OVER REAR	LOAD BOOM ANGLE	OVER SIDE	OVER REAR	LOAD BOOM ANGLE	OVER SIDE	OVER REAR	LOAD BOOM ANGLE	OVER SIDE	OVER REAR			
29' BOOM LENGTH			40' BOOM LENGTH			51' BOOM LENGTH			62' BOOM LENGTH						
10'	67	35,000	35,000	73½	33,300	33,300									
15'	55	24,300	24,300	65½	23,400	23,400	71½	22,600	22,600						
20'	41	17,800	17,800	57	17,500	17,500	65½	17,100	17,100	70½	16,400	16,400			
25'	21	11,800	11,800	48	13,800	13,800	59	13,500	13,500	65½	13,100	13,100			
30'				37	10,800	10,650	52	11,000	10,900	60	10,700	10,700			
35'				22	7,400	7,400	44	8,900	8,450	54½	8,800	8,850			
40'							35	6,750	6,700	48½	6,950	6,850			
45'							23	4,900	4,900	41½	5,400	5,500			
50'										34	4,250	4,450			
55'										24	3,300	3,400			
MIN. BOOM ANGLE -5°			MIN. BOOM ANGLE 5°			MIN. BOOM ANGLE 5°			MIN. BOOM ANGLE 2°						
73' BOOM LENGTH			84' BOOM LENGTH			95' BOOM LENGTH									
20'	74	15,700	15,700												
25'	70	12,700	12,700	73	12,200	12,200									
30'	65½	10,400	10,400	69½	9,900	9,900	72½	9,700	9,700						
35'	61	8,600	8,600	65½	8,200	8,200	69½	8,200	8,200						
40'	56½	7,100	7,000	62	6,900	6,900	66	6,800	6,800						
45'	51½	5,550	5,650	58	5,650	5,700	62½	5,700	5,800						
50'	46	4,350	4,550	53½	4,450	4,650	59	4,550	4,750						
55'	40	3,450	3,750	49	3,550	3,800	55	3,600	3,900						
60'	33	2,700	3,050	44	2,800	3,100	51	2,850	3,200						
65'	24½	2,100	2,300	39	2,200	2,550	47	2,250	2,600						
70'				33	1,700	2,050	42½	1,750	2,100						
75'				26	1,250	1,600	37½	1,300	1,700						
80'							32	950	1,300						
85'							25½		1,000						
90'															
MIN. BOOM ANGLE 2½°			MIN. BOOM ANGLE 7°			MIN. BOOM ANGLE 13°									

SHADED AREAS ARE STABILITY LIMITED CAPACITIES.



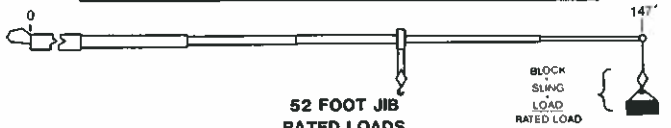
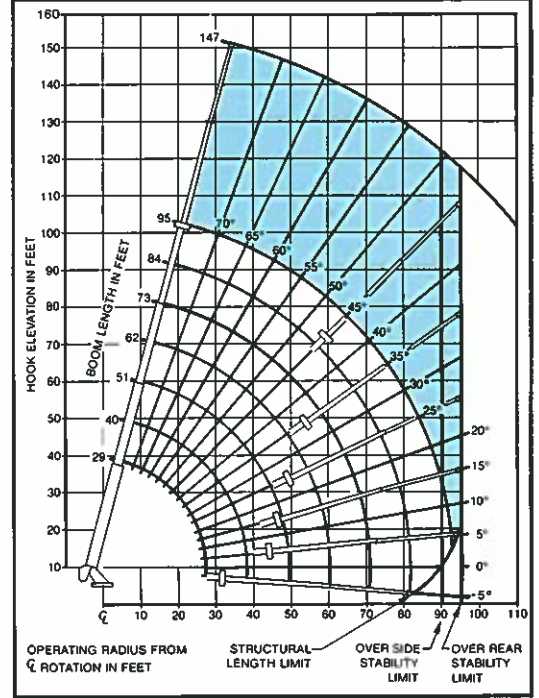


**29 FOOT JIB
RATED LOADS**

LOAD RADIUS (FEET)	LOADED BOOM ANGLE (DEGREES)	OVER SIDE (lb)	OVER REAR (lb)
36	74°	5200	5200
44	70°	4200	4200
54	65°	3250	3550
64	60°	1950	2300
72	55°	1200	1550
80	50°		1000

SHADED AREAS ARE STABILITY LIMITED CAPACITIES

Capacities shown are with 400-pound block rigged on main boom. If 200-pound block is rigged on main boom, add 150 pounds to capacities shown. If no block is rigged on main boom, add 300 pounds to capacities shown.



**52 FOOT JIB
RATED LOADS**

LOAD RADIUS (FEET)	LOADED BOOM ANGLE (DEGREES)	OVER SIDE (lb)	OVER REAR (lb)
44	74°	2800	2800
54	70°	2400	2400
66	65°	2000	2000
78	60°	1400	1600
88	55°	800	1100

SHADED AREAS ARE STABILITY LIMITED CAPACITIES

Capacities shown are with 400-pound block rigged on main boom. If 200-pound block is rigged on main boom, add 100 pounds to capacities shown. If no block is rigged on main boom, add 200 pounds to capacities shown.

**NATIONAL SERIES 1200
WINCH DATA**

CAUTION

- Do not deadhead line/block against boom tip when extending boom.
- Keep at least three wraps of load line on drum at all times.
- Use only the specified cable on this machine.

Winch	Cable Supplied	Average Breaking Strength	Line Type				
			1 Part Line	2 Part Line	3 Part Line	4 Part Line	5 Part Line
Standard Planetary Winch	9/16" diam 19 x 7 IWRC	35,000 lbs.	High Speed and Low Pull	High Speed and Low Pull	High Speed and Low Pull	High Speed and Low Pull	High Speed and Low Pull
			350 fpm 3,500 lbs	175 fpm 7,000 lbs	117 fpm 10,500 lbs	88 fpm 14,000 lbs	70 fpm 17,500 lbs
			Low Speed and High Pull	Low Speed and High Pull	Low Speed and High Pull	Low Speed and High Pull	Low Speed and High Pull
			200 fpm 7,000 lbs	100 fpm 14,000 lbs	67 fpm 21,000 lbs	50 fpm 28,000 lbs	40 fpm 35,000 lbs

All winch pulls and speeds are shown on the fourth layer. Winch pulls would increase on the first, second and third layers. Winch line speeds would decrease on the first, second, and third layers. Winch line pulls may be limited by the winch capacity or the ANSI 5 to 1 cable safety factor. These are shown below.

Winch	Bare Drum Pull	Allowable Cable Pull
Standard planetary	4,000 pounds (high speed) 9,000 pounds (low speed)	7,000 pounds



**INTRODUCING
THE ALL NEW
NATIONAL
1200**

**Truck-mounted
Telescoping Crane**

**Longest reach
in the industry!**

Maximum Vertical Reach: 150 feet

**Maximum Capacity: 17½ Tons
(at 10-foot radius)**

