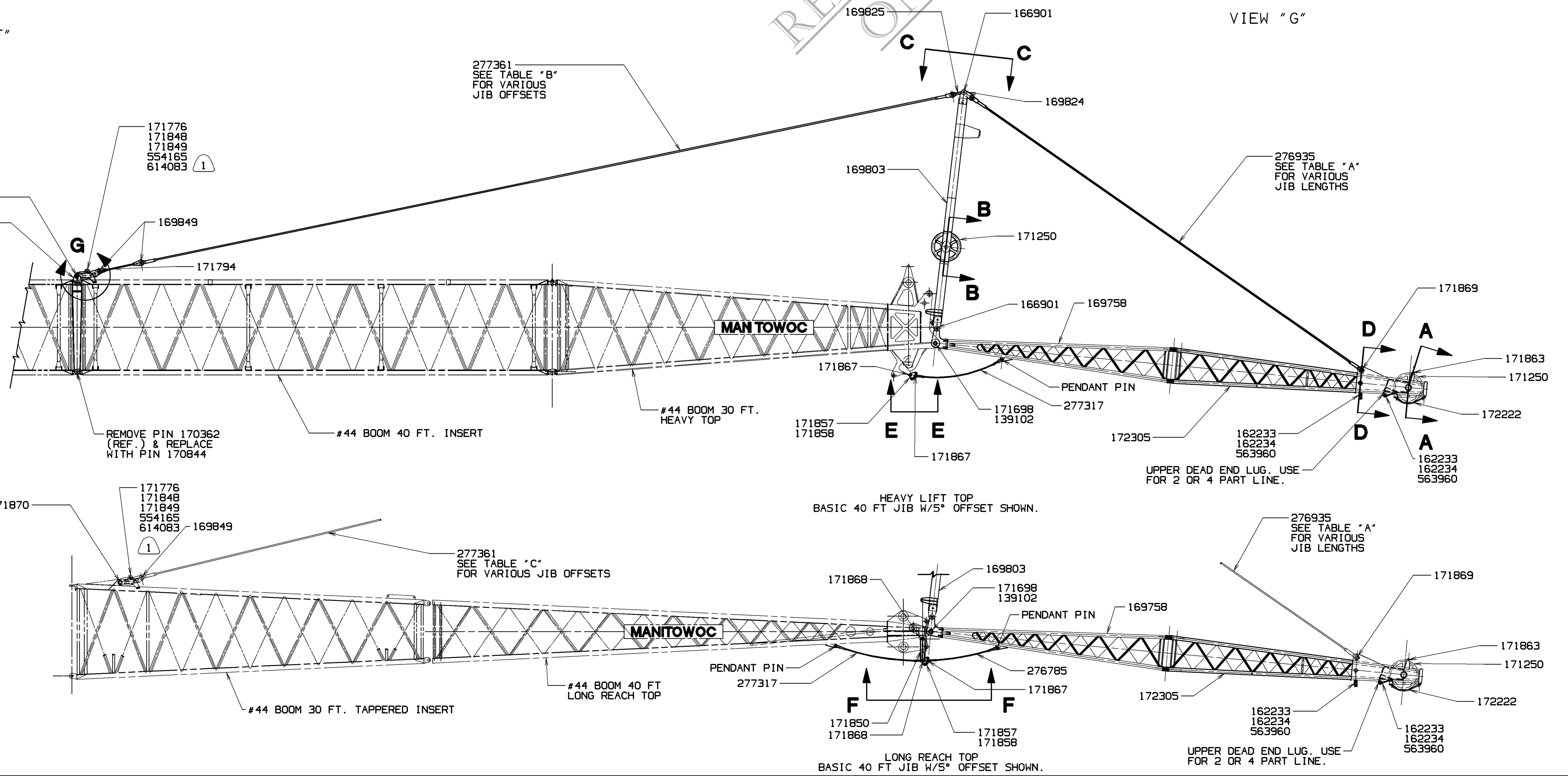
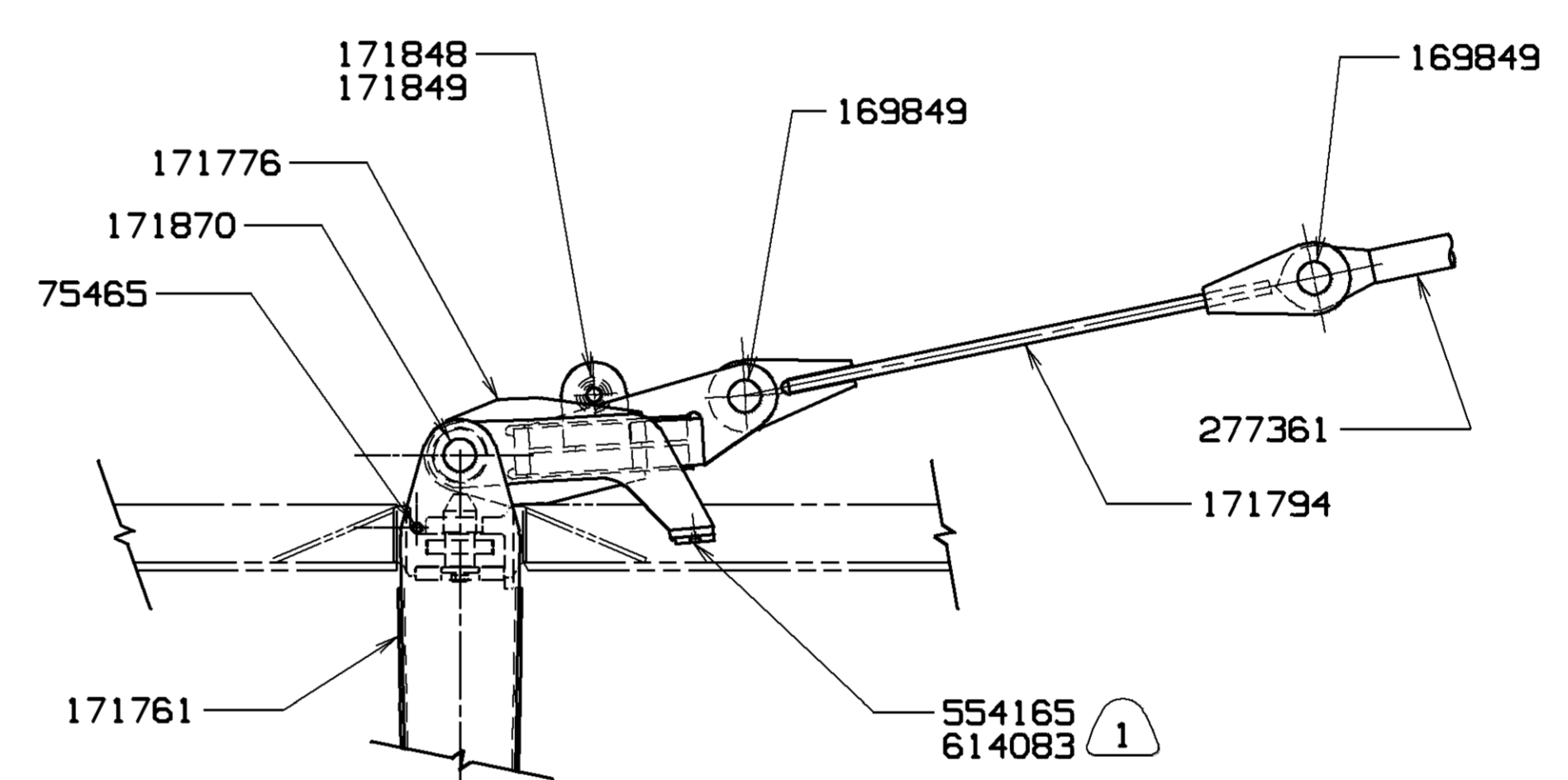
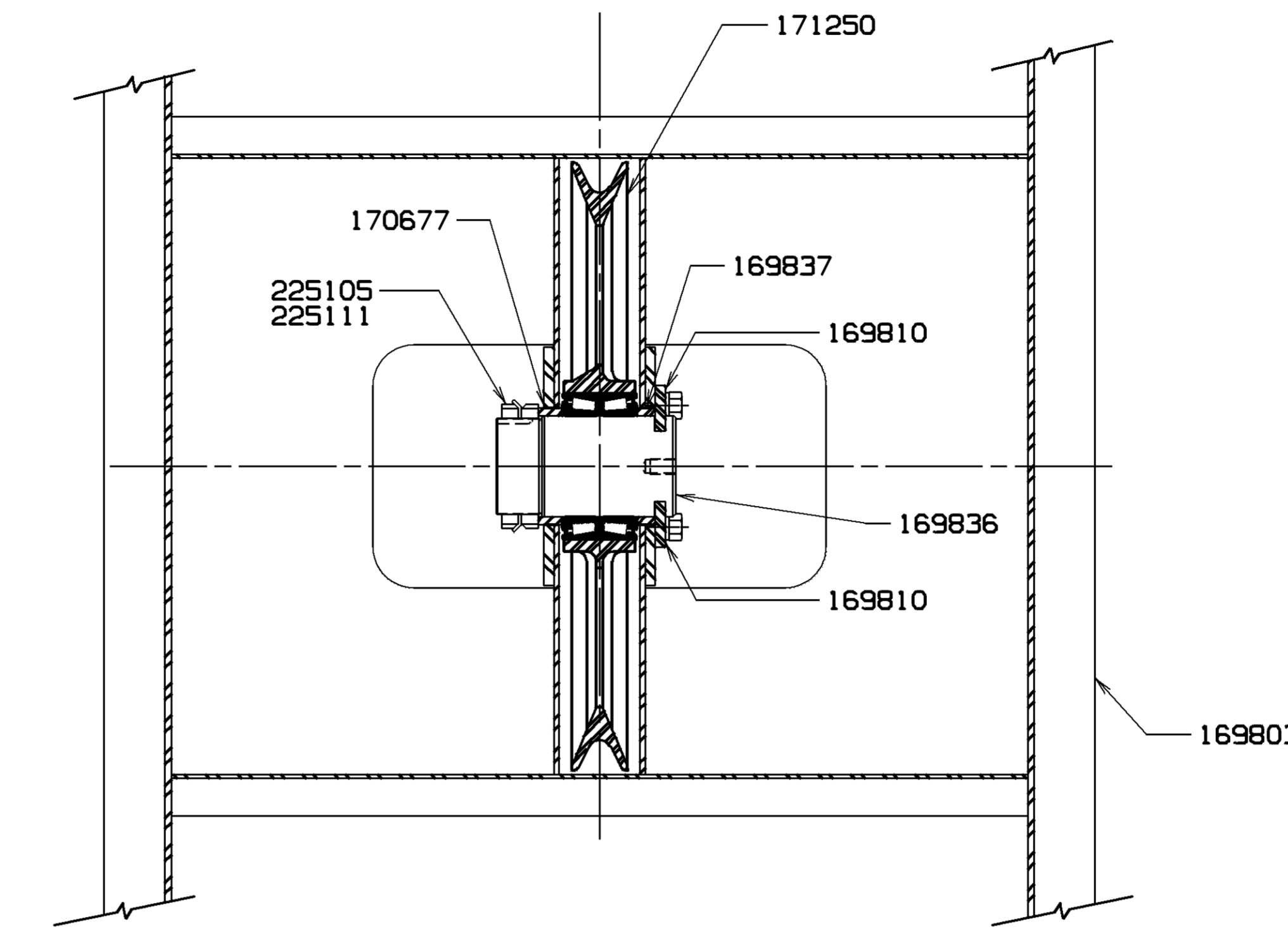
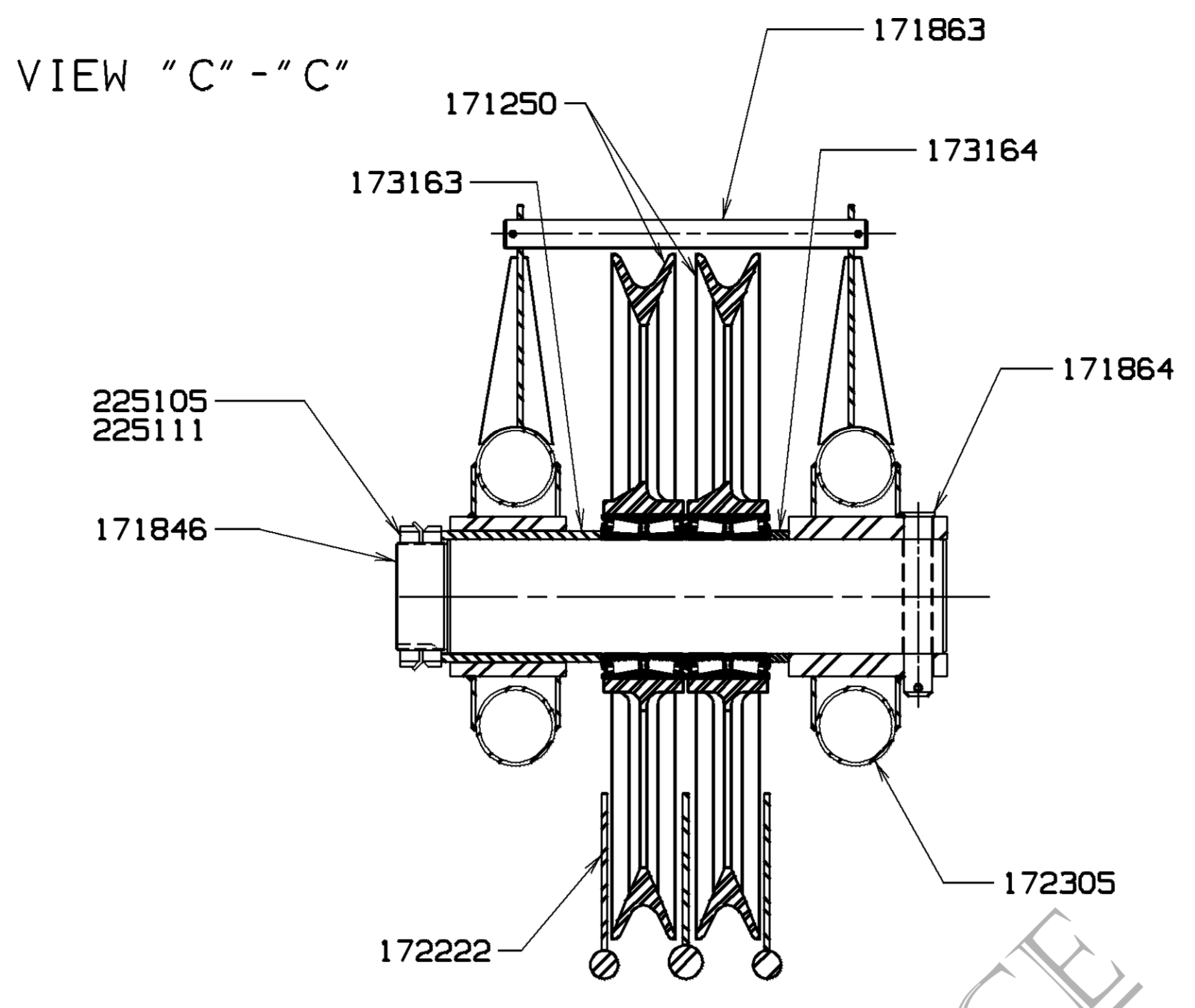
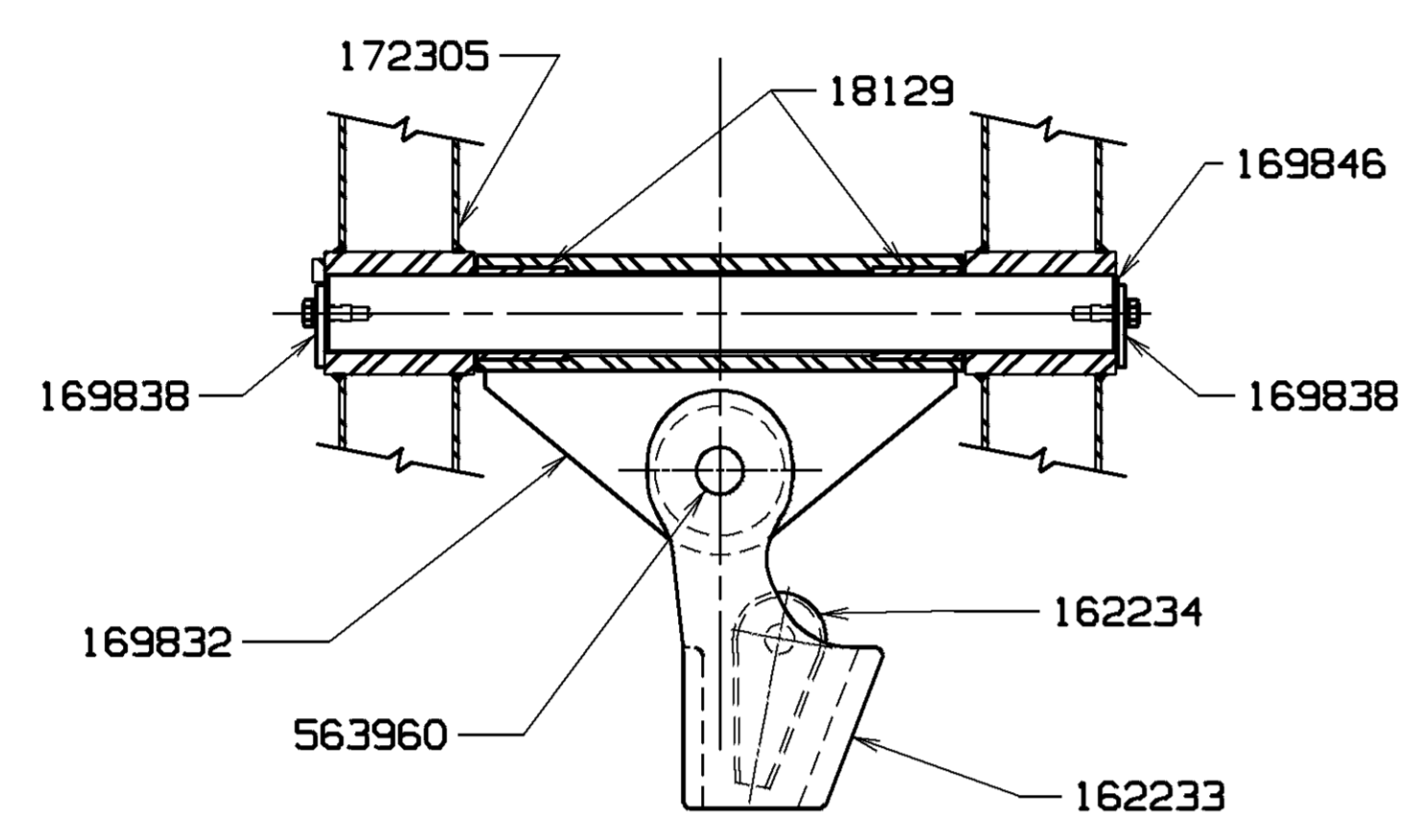
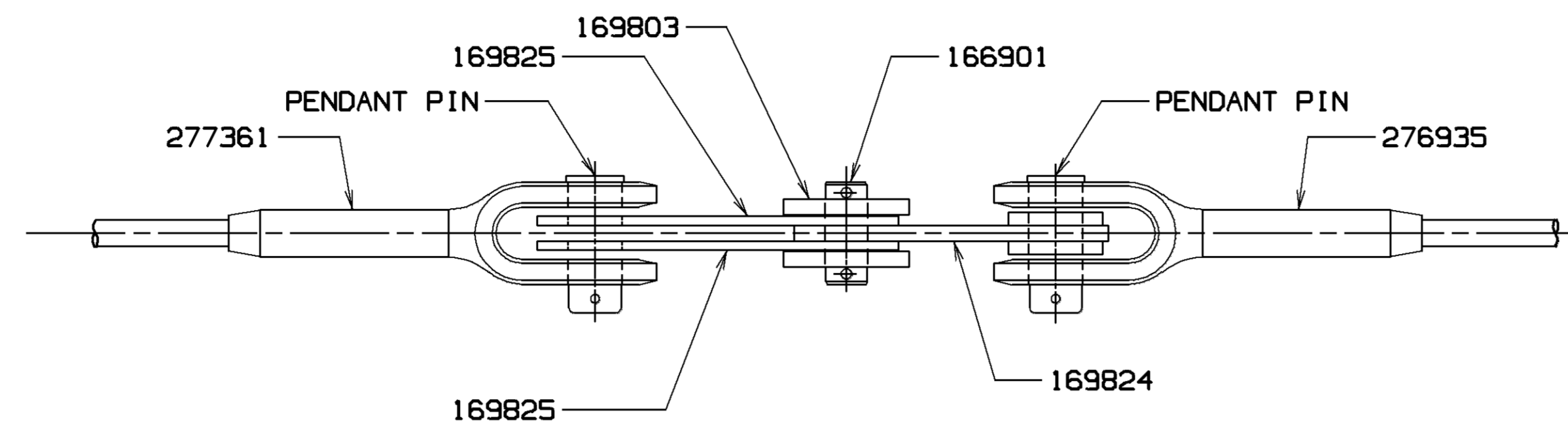
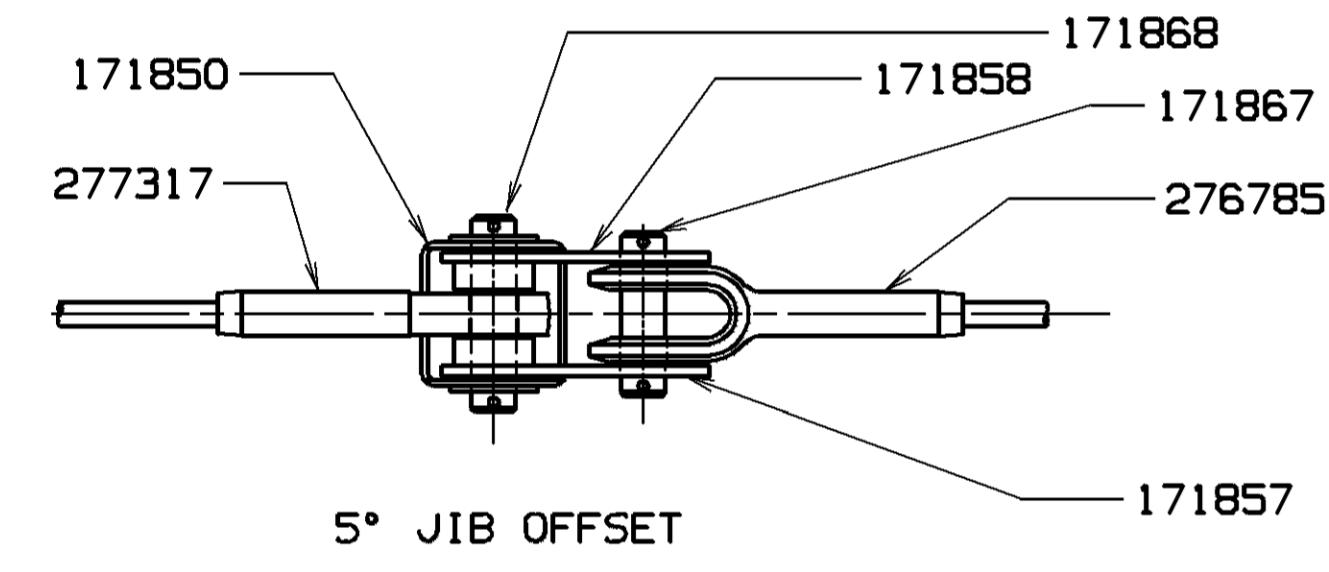
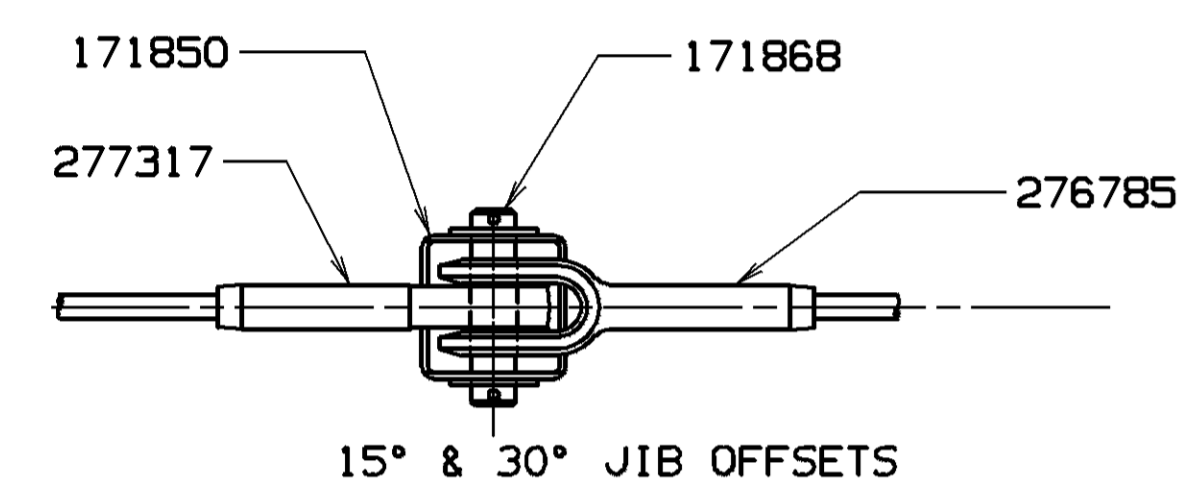
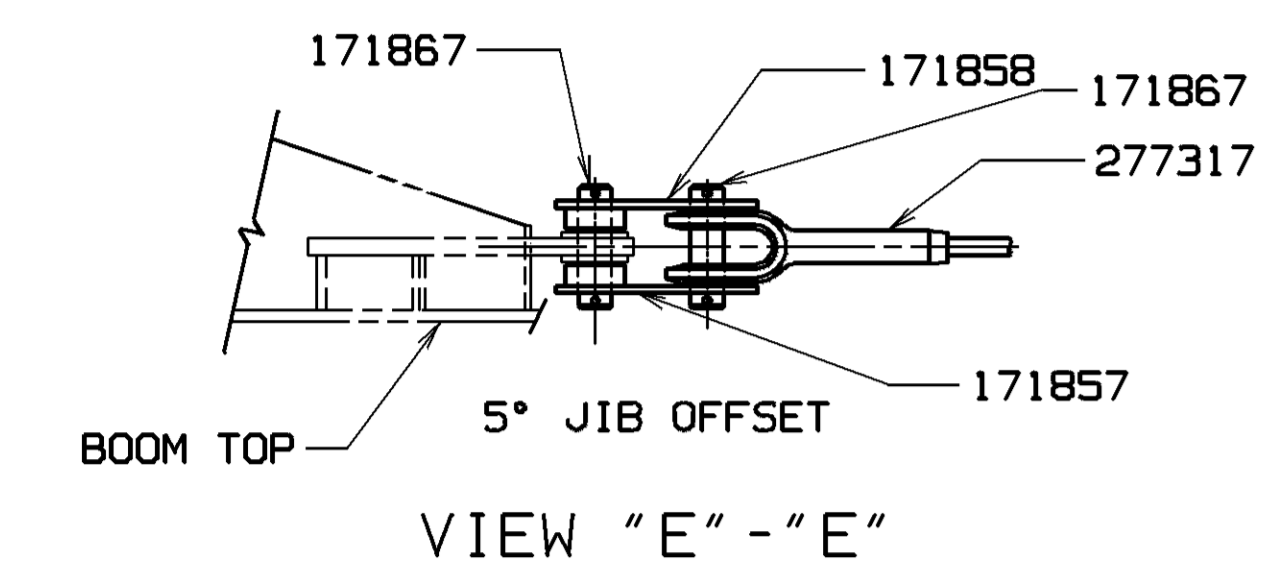
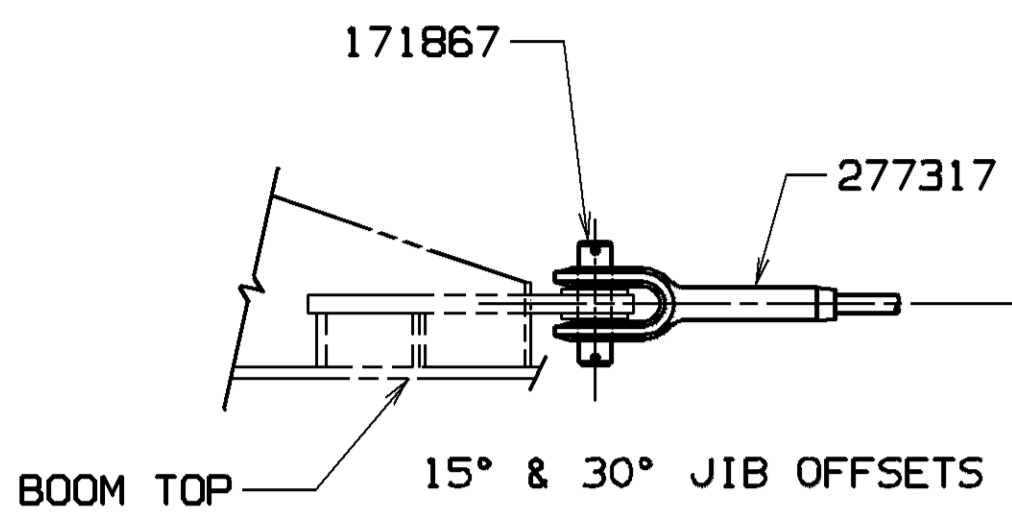


TABLE "A"			
REQ'D FOR VARIOUS JIB LENGTHS			
DRAWING NUMBER	169759	277360 DWG. 77535	171477 WIRE ROPE TIMBER GUARD OPTIONAL
JIB LENGTH	20 FT INSERT	19 FT-2.00 PENDANT	
60 FT.	1	2	1
80 FT.	2	4	2
100 FT.	3	6	3
120 FT.	4	8	4

TABLE "B"									
REQ'D FOR VARIOUS JIB OFFSETS HEAVY LIFT TOP									
DRAWING NUMBER	277362 DWG. 77535	LINK	LINK	PIN	PIN	PIN	PIN	LINK	
JIB OFFSET	7 FT-4.00 PENDANT	171857	171858	171794	171867	169849	75465	170844	171761
5°	0	2	2	2	4	4	2	2	2
15°	2	0	0	0	2	4	2	2	2
30°	2	0	0	2	2	4	2	2	2

TABLE "C"									
REQ'D FOR VARIOUS JIB OFFSETS LONG REACH TOP									
DRAWING NUMBER	277362 DWG. 77535	LINK	LINK	276785 DWG. 73026	PIN	PIN	PIN	STRUT	LINK
JIB OFFSET	7 FT-4.00 PENDANT	171857	171858	6 FT-0.00 PENDANT	171868	171867	169849	171850	171794
5°	0	2	2	2	4	2	2	1	0
15°	0	0	0	2	4	0	2	1	2
30°	2	0	0	2	4	0	2	1	0

BILL OF MATERIAL				ASSEMBLIES USED ON
QTY	DESCRIPTION	MATERIAL	QTY	
2	BUSHING		18129	
2	PIN		139102	
1	SOCKET		162233	
1	WEDGE		162234	
4	PIN		166901	
1	JIB BUTT (20 FT - 0.00)		169758	
1	JIB STRUT (20 FT - 0.00)		169803	
1	JIB TOP (20 FT - 0.00)		172305	
2	PIN KEEPER		169810	
2	LINK		169824	
4	LINK		169825	
1	DEAD END BAIL		169832	7
1	PIN		169836	
1	SPACER		169837	
2	END PLATE		169838	
1	PIN		169846	7
1	SPACER		170677	
3	SHEAVE ASSEMBLY		171250	
2	BUSHING		171698	
1	BACKSTAY SUPPORT		171776	
1	SHAFT		171846	
2	ROLLER		171848	
1	SHAFT		171849	
1	ROPE GUARD		171863	
1	PIN		171864	
1	ROPE GUARD		172222	
2	PIN		171869	
2	PIN		171870	
1	SPACER		173163	
1	SPACER		173164	
4	LOCKNUT		225105	
2	LOCKWASHER		225111	
2	JIB BASIC PENDANT (40 FT. - 0.00)		276935	5
2	PENDANT (7 FT. - 7.00)		277317	6
2	BACKSTAY BASIC PENDANT (69 FT. - 9.00)		277361	5
2	PAD		554165	
1	PIN		563960	
2	.312-18UNC-2A X .50 LG FL AL HD CAPSCR.		614083	1



- ① APPLY PERMABOND 115 OR EQUIVALENT TO SCREW 614083 AT ASSEMBLY.
- ② LOCATE ADJACENT TO BACKSTAY SUPPORT 171776.
- ③ LOCATE BETWEEN BACKSTAY LINK 171794 OR BACKSTAY SUPPORT 171776 & PENDANT 277361.
- ④ JIB OFFSETS ARE NOMINAL.
- ⑤ ON DWG. 77535
- ⑥ ON DWG. 73026
- ⑦ CAN BE USED FOR DEAD END WITH 2 PART LINE. MUST BE REMOVED WHEN 2, 3, OR 4 PART LINE AND/OR UPPER DEAD END LUG IS USED.

FORMERLY 170429 REDESIGNED AS NO. 172693		DATE 4-24-92
JIB ASSEMBLY (USA)		PATTERN NO.
MANITOWOC CRANES, INC.	#132 JIB	
MANITOWOC, WISCONSIN	1.25 SWAGED PENDANTS	
MO. M-250		
TSC M-250 SERIES 2		

DO NOT SCALE THIS DRAWING