

# Center of Gravity

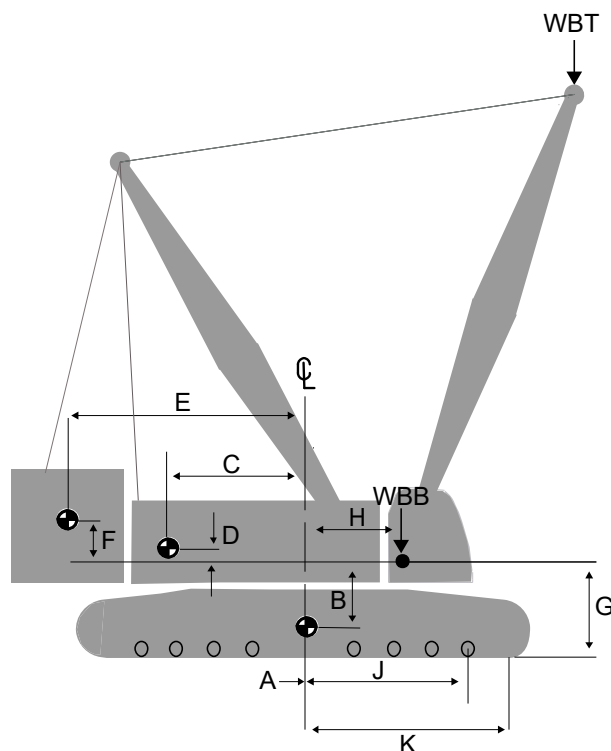
Boom No. B80:680-681-682  
with 24.9 ft Extended Upper Boom Point

WEIGHT AND CENTER OF GRAVITY		
	Dimension (in.)	Weight (lb)
A	0.0	224,982
B	88.8	
C	178.3	239,484
D	220.5	
SERIES 1		
E min	179.7	513,666
E mid	443.3	
E max	699.2	
F	14.8	
SERIES 2		
E min	173.0	734,128
E mid	449.7	
E max	705.6	
F	43.1	
SERIES 3		
E min	169.4	954,590
E mid	453.1	
E max	709.0	
F	72.0	

*E mid* is the maximum counterweight position prior to beam extension.

REFERENCE DIMENSIONS (in.)	
G	122.6
H	60.0
J	162.1
K	193.7
N	154.4
60 in. Pads	
P	50.0
R	55.0
T	60.0
80 in. Pads	
P	70.0
R	75.7
T	80.0

Boom Length (ft)	LATTICE WEIGHTS	
	Boom No. B80:680-681-682	
	WBB (lb)	WBT (lb)
301.8	154,965	97,264
321.5	159,739	100,072
341.2	164,039	100,994
360.9	172,101	112,372
370.7	174,475	112,907
380.6	176,950	115,106
390.4	179,012	113,590
400.3	181,381	115,896
410.1	183,606	116,579
419.9	187,467	124,158
429.8	189,546	122,625
439.6	191,903	124,943
449.5	194,130	125,623
459.3	196,450	127,978
469.2	198,768	126,571
479.0	201,125	128,889
488.8	203,220	129,701
498.7	205,545	132,051



Note 1: Weight of all load blocks, hooks, weight ball, slings, hoist lines etc., beneath boom point sheaves is not considered part of boom weights. All items suspended from boom must be considered part of the load.

Note 2: Consult proper crane capacity chart for lifting capacities and allowable boom combinations.

**Not to be used for crane rating purposes.**

