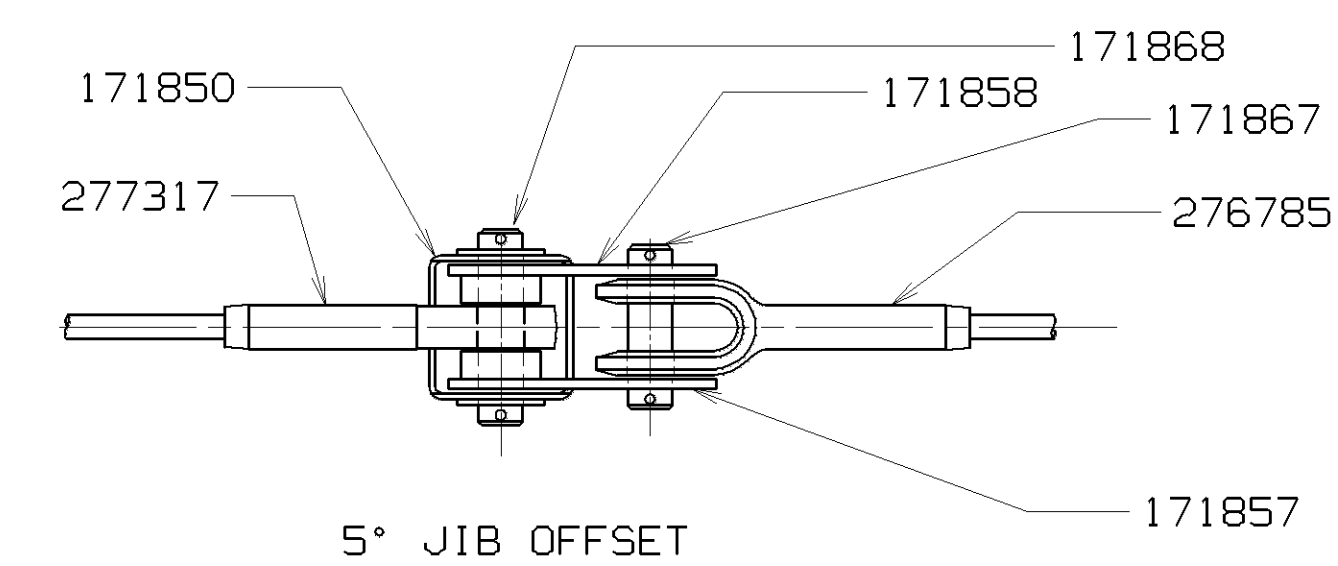
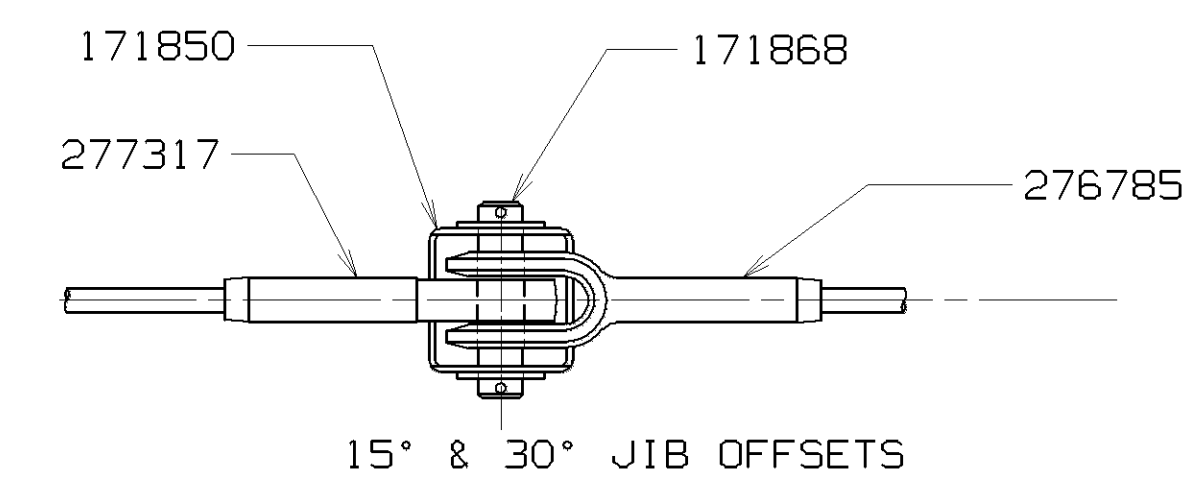
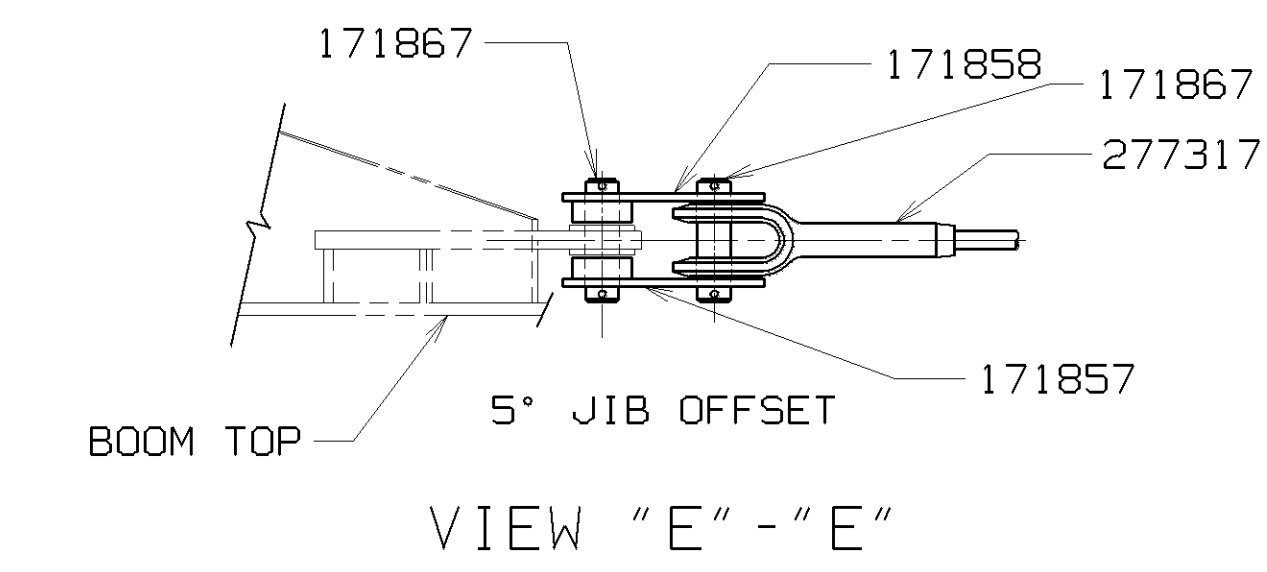
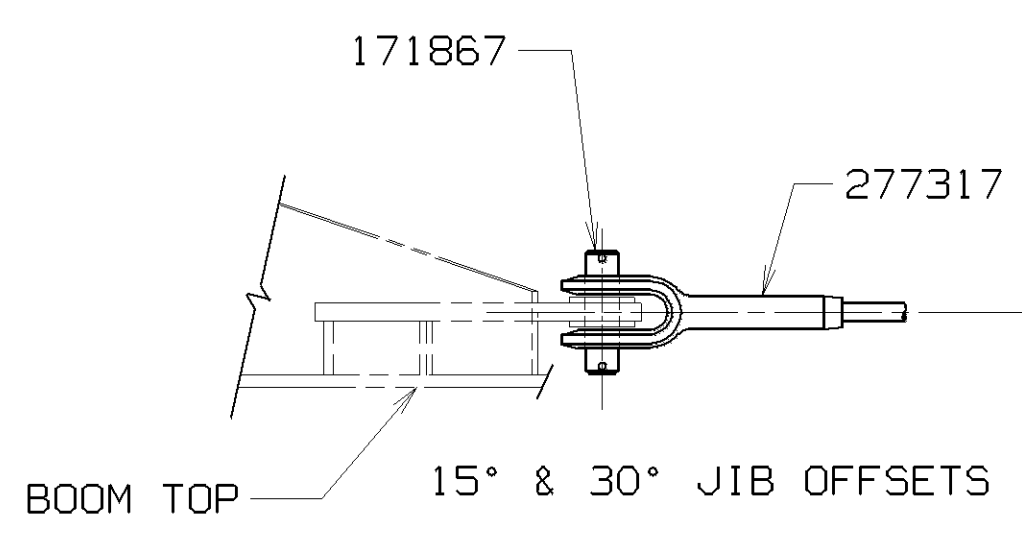


TABLE "A"			
REQ'D FOR VARIOUS JIB LENGTHS			
DRAWING NUMBER	169759	277360 DWG. 77535	171477 WIRE ROPE TIMBER GUARD OPTIONAL
JIB LENGTH	20 FT INSERT	19 FT-2.00 PENDANT	
60 FT.	1	2	1
80 FT.	2	4	2
100 FT.	3	6	3
120 FT.	4	8	4

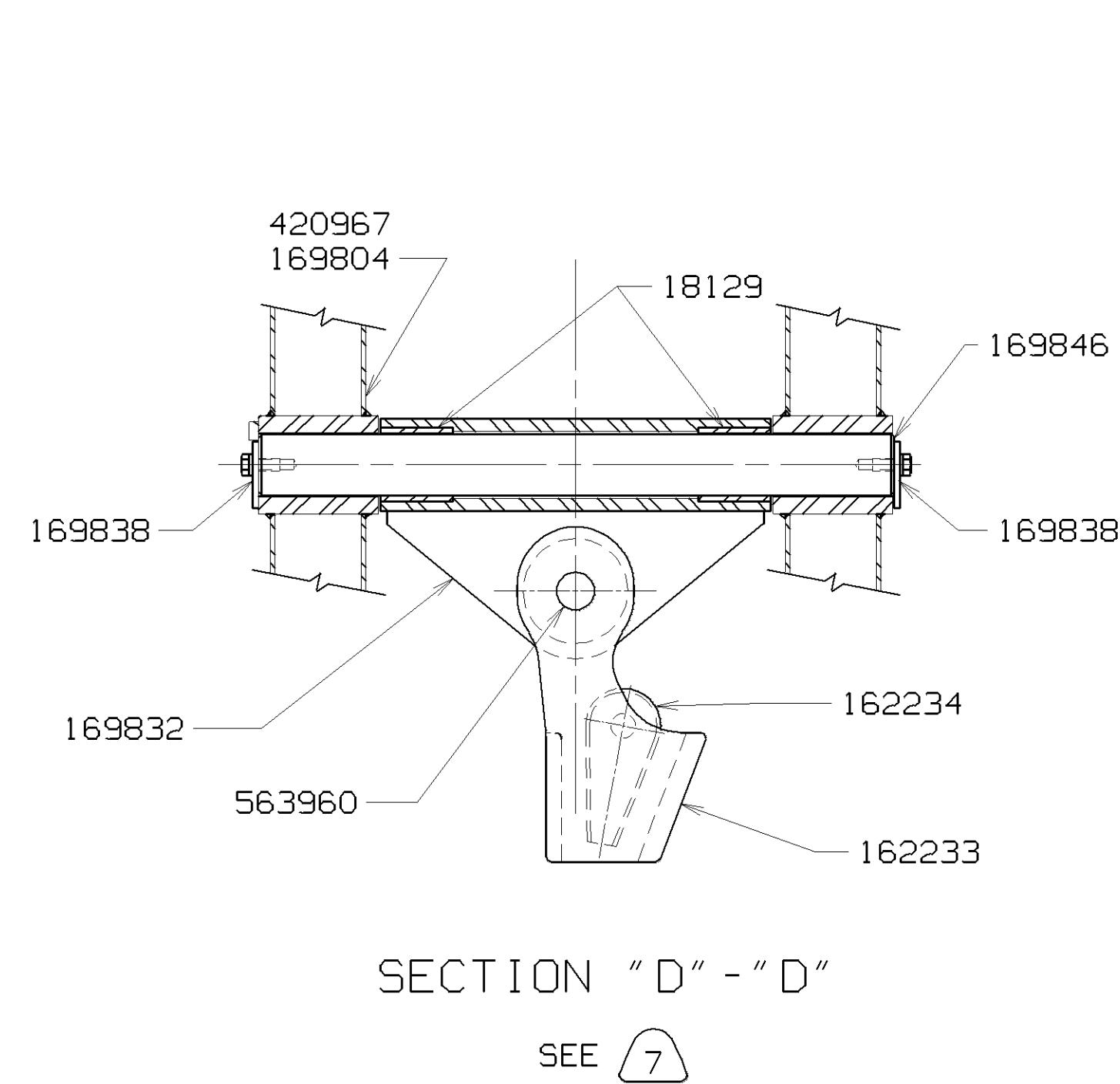
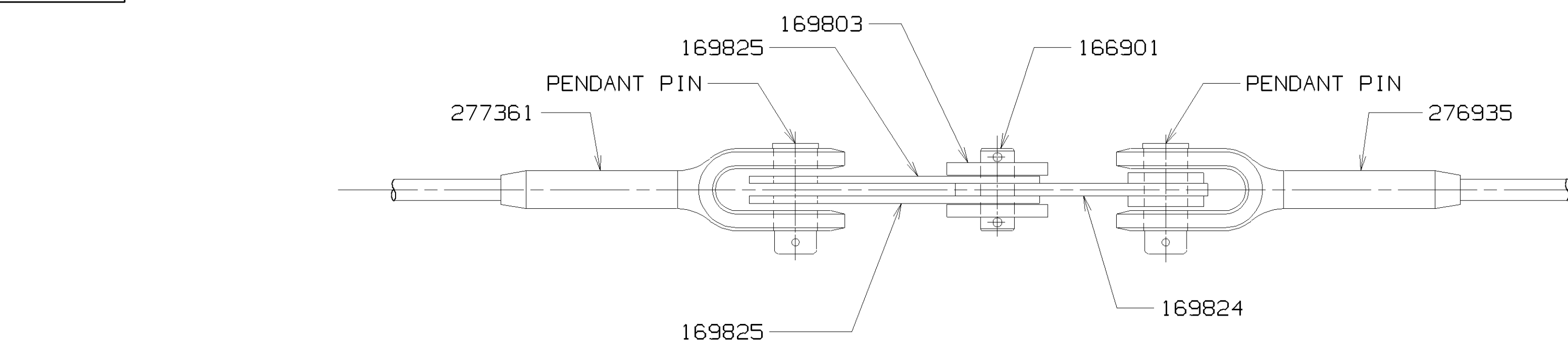
TABLE "B"									
REQ'D FOR VARIOUS JIB OFFSETS HEAVY LIFT TOP									
DRAWING NUMBER	277362 DWG. 77535	LINK	2 LINK	PIN	PIN	PIN	PIN	LINK	
JIB OFFSET	7 FT-4.00 PENDANT	171857	171858	171794	171867	169849	75465	170844	171761
5°	0	2	2	2	4	4	2	2	2
15°	2	0	0	0	2	4	2	2	2
30°	2	0	0	2	2	4	2	2	2

TABLE "C"									
REQ'D FOR VARIOUS JIB OFFSETS LONG REACH TOP									
DRAWING NUMBER	277362 DWG. 77535	LINK	276785 DWG. 73026	PIN	PIN	PIN	STRUT	2 LINK	
JIB OFFSET	7 FT-4.00 PENDANT	171857	171858	6 FT-0.00 PENDANT	171868	171867	169849	171850	171794
5°	0	2	2	2	4	2	2	1	0
15°	0	0	0	2	4	0	2	1	2
30°	2	0	0	2	4	0	2	1	0

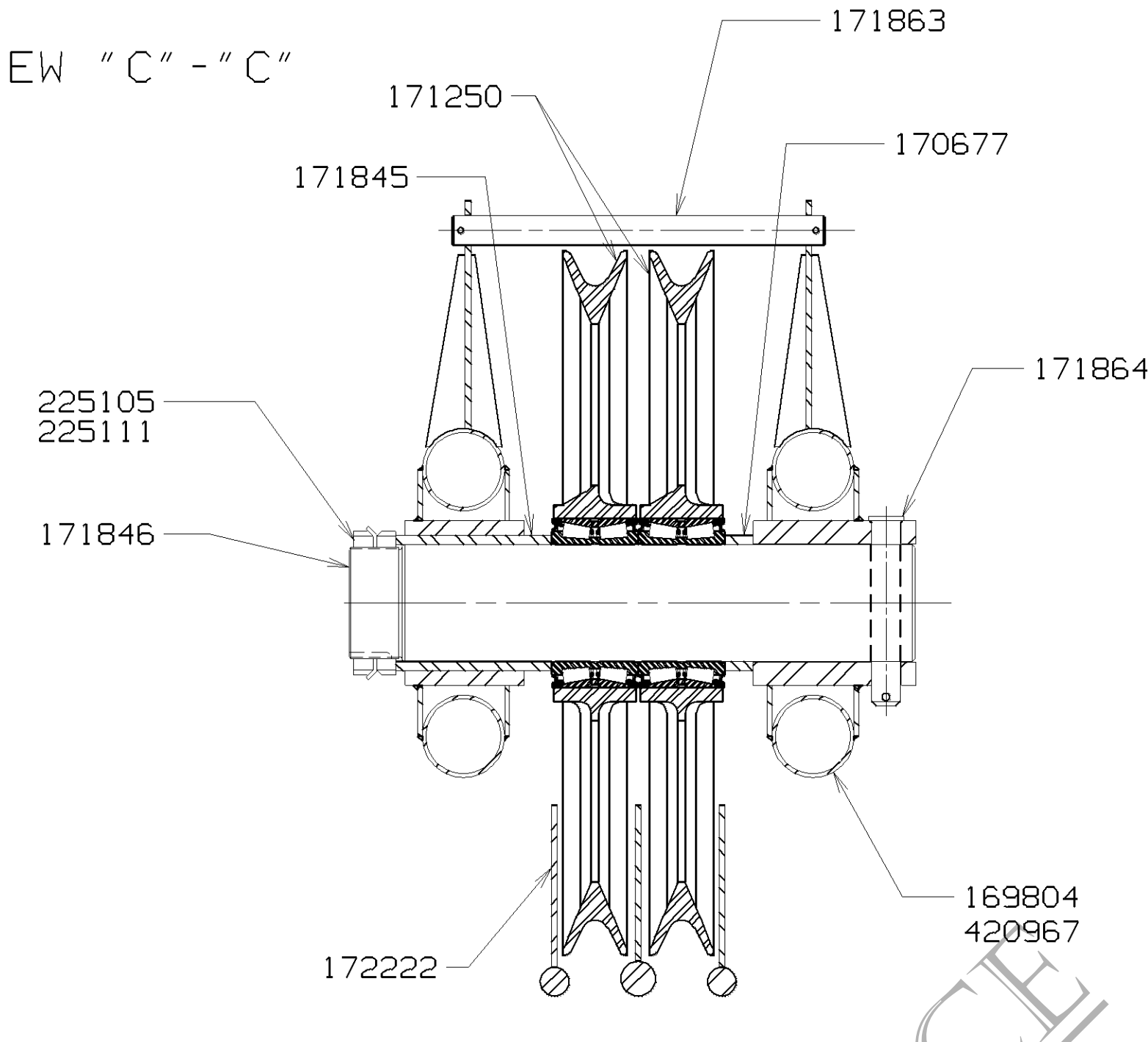
BILL OF MATERIAL					ASSEMBLIES USED IN
ITEM NO.	QTY	DESCRIPTION	MATERIAL	CODE NO. OR Dwg. NO.	
2		BUSHING		18129	
2		PIN		139102	
1		SOCKET		162233	
1		WEDGE		162234	
4		PIN		166901	
1		JIB BUTT (20 FT - 0.00)		169758	
1		JIB STRUT (20 FT - 0.00)		169803	
1		JIB TOP (20 FT - 0.00)		169804	
2		PIN KEEPER		169810	
1		SPACER		169819	
2		LINK		169824	
4		LINK		169825	
1		DEAD END BAIL		169832	
1		PIN		169836	
1		SPACER		169837	
2		END PLATE		169838	
1		PIN		169846	
2		SPACER		170677	
3		SHEAVE ASSEMBLY		171250	
2		BUSHING		171698	
1		BACKSTAY SUPPORT		171776	
1		SPACER		171845	
1		SHAFT		171846	
2		ROLLER		171848	
1		SHAFT		171849	
1		ROPE GUARD		171863	
1		PIN		171864	
1		ROPE GUARD		172222	
2		PIN		171869	
2		PIN		171870	
2		SPACER		171872	
4		LOCKNUT		225105	
2		LOCKWASHER		225111	
2		JIB BASIC PENDANT (40 FT. - 0.00)		276935	
2		PENDANT (7 FT. - 7.00)		277317	
2		BACKSTAY BASIC PENDANT (69 FT. - 9.00)		277361	
2		PAD		554165	
1		PIN		563960	
2		312-18UNC-2A X .50 LG FL AL HD CAPSCR.		614083	
1		MODIFICATION TO JIB TOP 169804		420967	



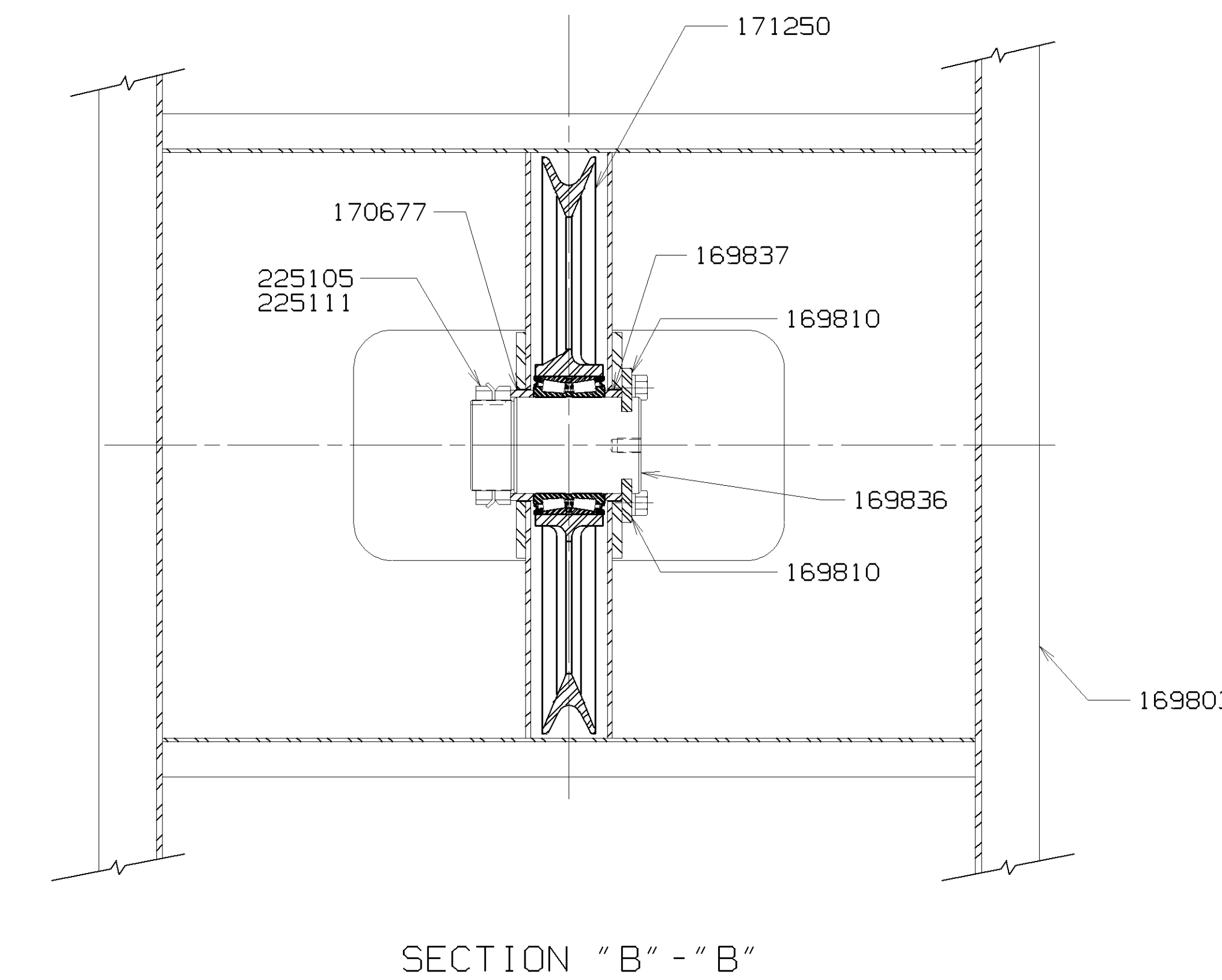
VIEW "F" - "F"



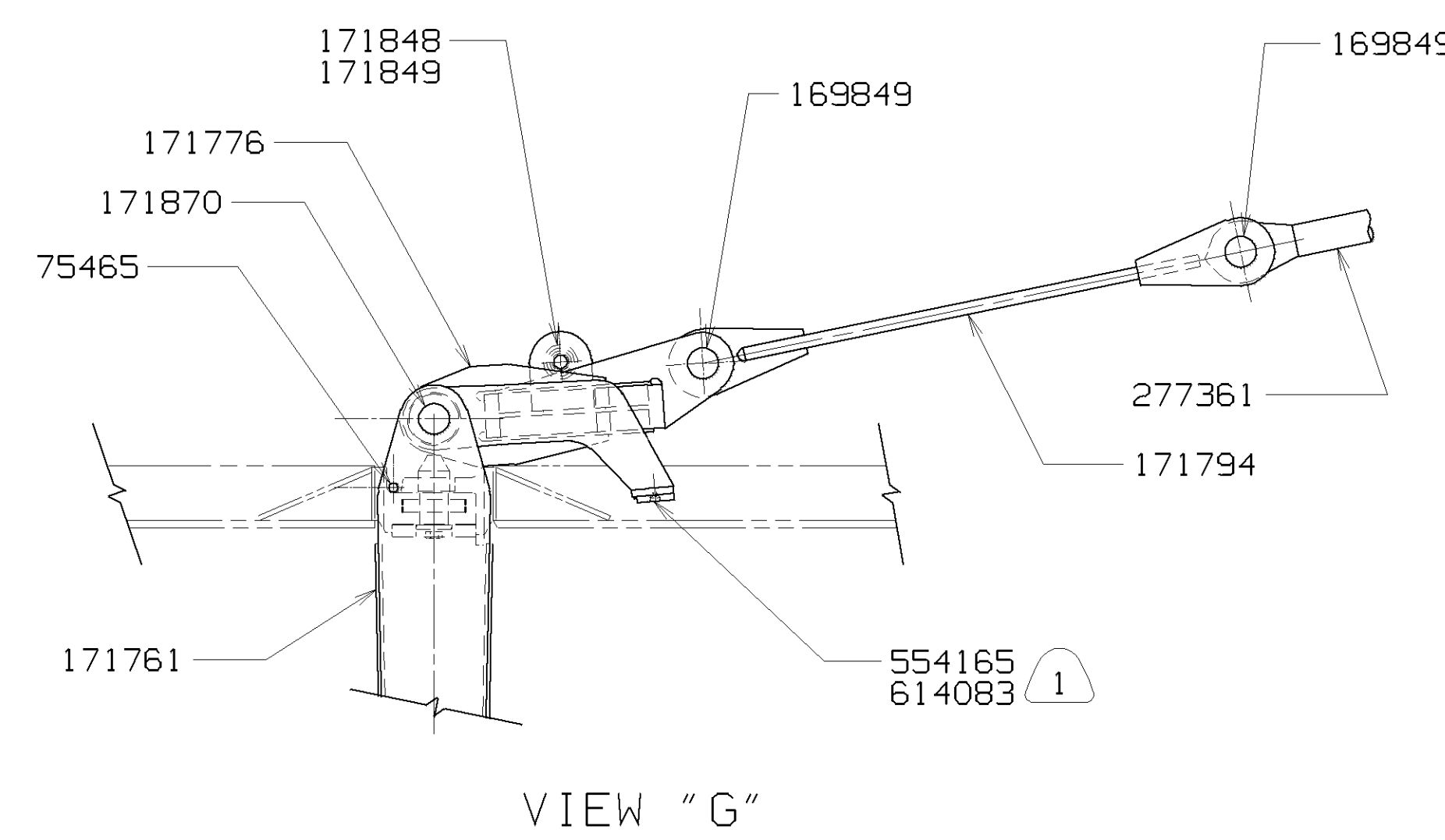
VIEW "C" - "C"



REFERENCE ONLY!

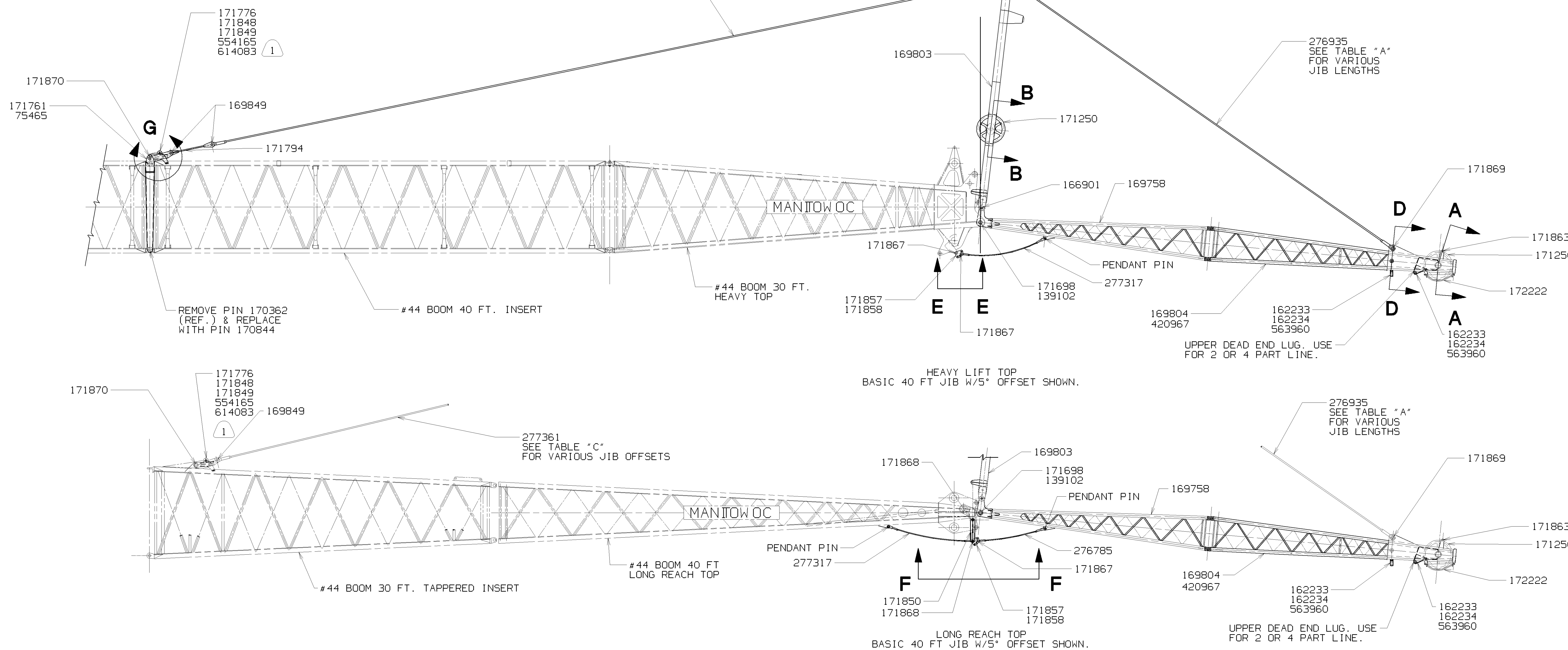


SECTION "B" - "B"



VIEW "G"

VIEW "E" - "E"



- 1 APPLY PERMABOND 115 OR EQUIVALENT TO SCREW 614083 AT ASSEMBLY.
- 2 LOCATE ADJACENT TO BACKSTAY SUPPORT 171776.
- 3 LOCATE BETWEEN BACKSTAY LINK 171794 OR BACKSTAY SUPPORT 171776 & PENDANT 277317
- 4 JIB OFFSETS ARE NOMINAL.
- 5 ON DWG. 77535
- 6 ON DWG. 73026
- 7 CAN BE USED FOR DEAD END WITH 2 PART LINE. MUST BE REMOVED WHEN 2, 3, OR 4 PART LINE AND/OR UPPER DEAD END LUG IS USED.

REDESIGNED AS NO. 173165	DATE 8-14-91
Manitowoc Cranes, Inc. JIB ASSEMBLY (USA)	PATTERN NO.
DRS Manitowoc, Wisconsin #132 JIB	
LS MODEL-M-250 1.25 SWAGED PENDANTS	
TSC	