

REQUIRED FOR VARIOUS BOOM LENGTHS

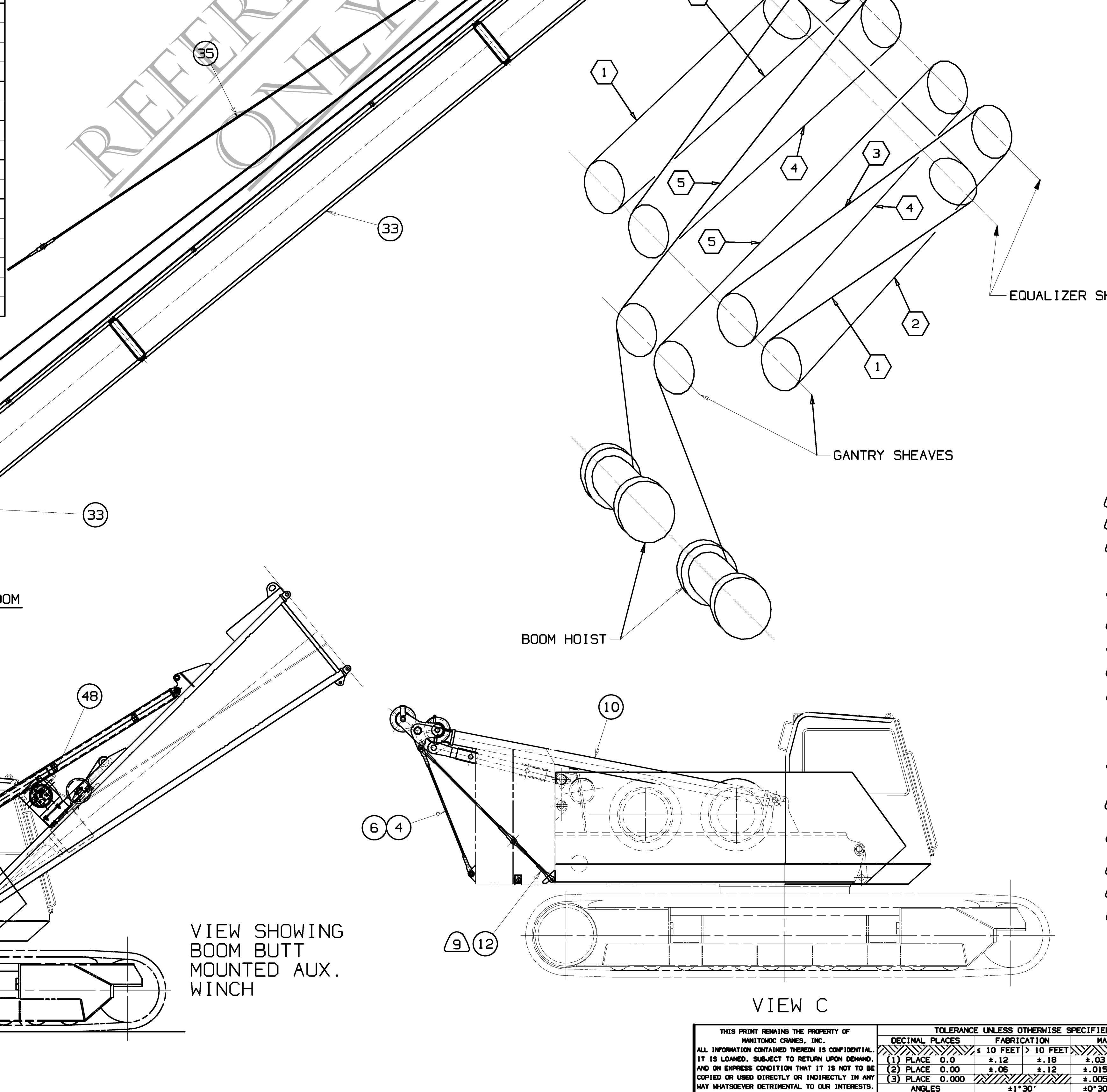
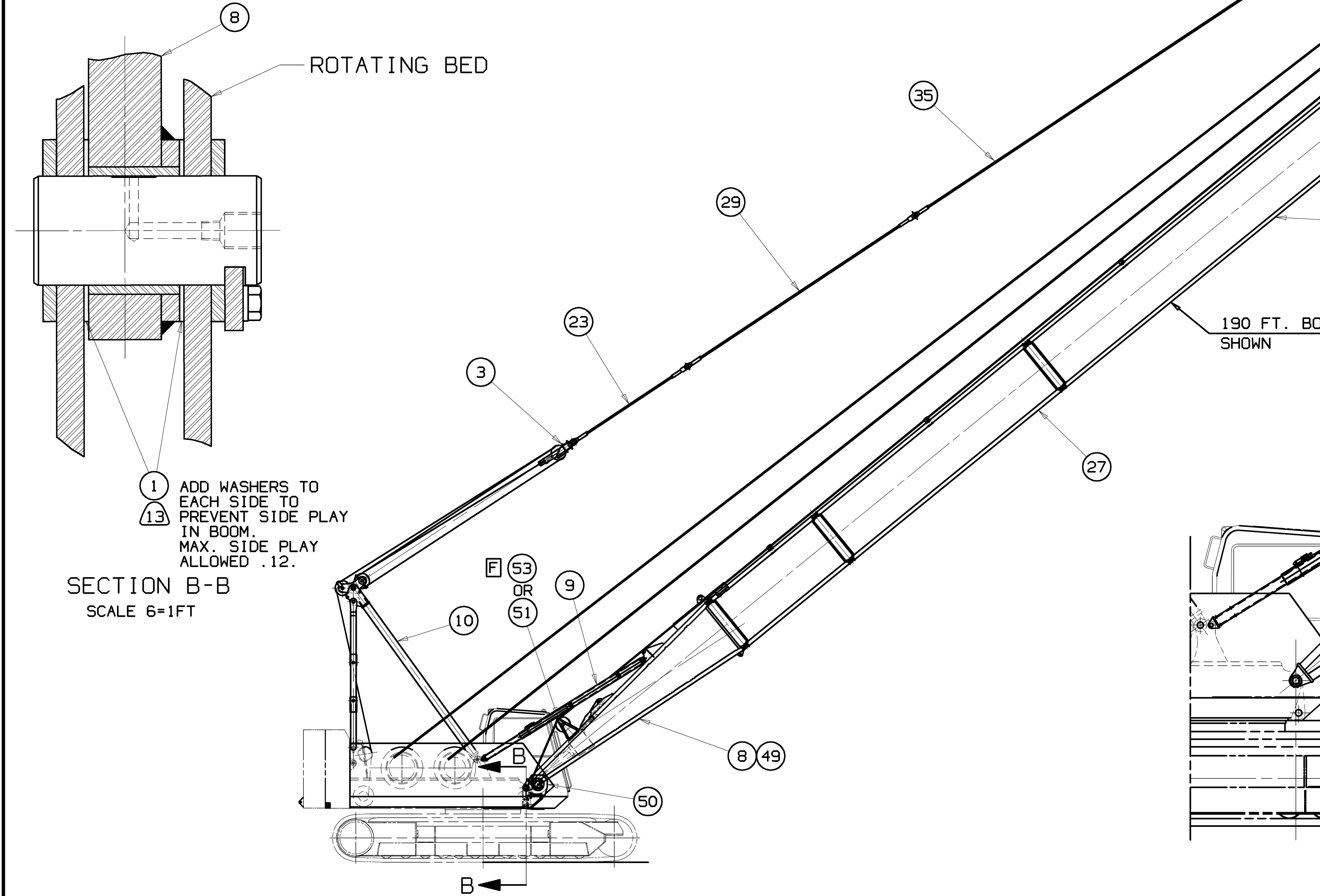
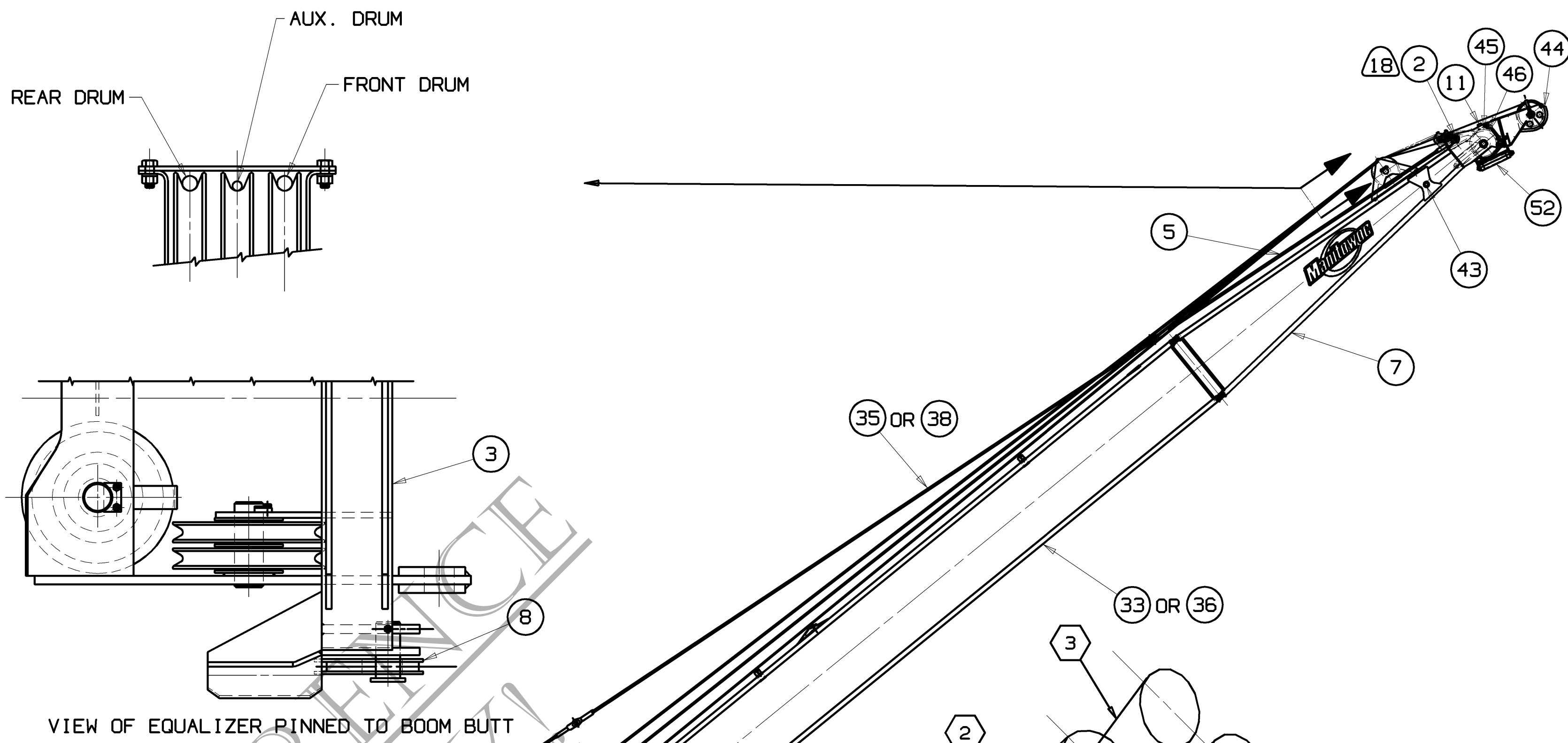
ITEM NO.	(21)	(24)	(27)	(30)	(33)	(36)	(23) OR (26)	(29) OR (32)	(35) OR (38)	(47)
BOOM LENGTH	10 FT (3.05 M) INSERT	10 FT (3.05 M) INSERT WITH JIB BACKSTAY	20 FT (6.10 M) INSERT	20 FT (6.10 M) INSERT WITH JIB BACKSTAY	40 FT (12.19 M) INSERT	40 FT (12.19 M) INSERT WITH JIB BACKSTAY	PENDANT 10 FT.	PENDANT 20 FT.	PENDANT 40 FT.	WIRE ROPE ROLLER GUIDE (OPT.)
40 BASIC	12.2	0	0	0	0	0	0	0	0	0
50	15.4	1	0	0	0	0	2	0	0	1
60	18.3	OR 2	0	0	0	0	4	0	0	2
		OR 0	0	1	0	0	0	2	0	1
70	21.3	OR 1	0	1	0	0	2	2	0	2
		OR 0	1	0	0	0	2	2	0	2
80	24.4	OR 2	0	1	0	0	4	2	0	3
		OR 0	0	1	1	0	0	4	0	2
		OR 0	0	0	0	1	0	0	2	2
		OR 0	0	0	0	0	0	4	0	2
90	27.4	OR 1	0	2	0	0	2	4	0	3
		OR 1	0	1	1	0	2	4	0	3
		OR 1	0	0	0	1	0	2	2	3
		OR 1	0	0	0	1	2	0	2	3
100	30.5	OR 2	0	0	0	1	4	0	2	4
		OR 2	0	0	0	1	4	0	2	4
		OR 0	0	1	0	0	0	2	2	3
		OR 0	0	1	0	0	2	2	2	3
110	33.5	OR 1	0	1	0	1	2	2	2	4
		OR 1	0	1	0	1	2	2	2	4
120	36.6	OR 2	0	1	0	1	4	2	2	5
		OR 0	0	2	0	0	0	4	2	4
		OR 2	0	1	0	1	4	2	2	5
		OR 0	0	0	0	2	0	0	4	4
		OR 0	0	2	0	1	0	4	2	4
		OR 0	0	0	0	1	0	0	4	4
130	39.6	OR 1	0	2	0	1	2	4	2	5
		OR 1	0	2	0	1	2	4	2	5
		OR 1	0	0	0	2	0	4	4	5
		OR 1	0	0	0	1	2	0	4	5
140	42.7	OR 2	0	0	0	2	4	0	4	6
		OR 2	0	0	0	1	4	0	4	6
		OR 0	0	1	0	0	2	4	4	5
		OR 0	0	1	0	1	0	2	4	5
150	45.7	OR 1	0	1	0	2	2	2	4	6
		OR 1	0	1	0	1	2	2	4	6
160	48.8	OR 2	0	1	0	2	4	2	4	7
		OR 0	0	2	0	0	0	4	4	6
		OR 2	0	1	0	1	4	2	4	7
		OR 0	0	2	0	1	0	4	4	6
		OR 0	0	0	0	3	0	0	6	6
		OR 0	0	0	0	2	0	0	6	6
170	51.8	OR 1	0	2	0	2	4	4	4	7
		OR 1	0	2	0	1	2	4	4	7
		OR 1	0	0	0	3	0	6	6	7
		OR 1	0	0	0	2	0	6	6	7
180	54.9	OR 2	0	0	0	3	0	4	0	8
		OR 2	0	0	0	2	1	4	0	8
		OR 0	0	1	0	3	0	2	6	8
		OR 0	0	1	0	2	1	0	2	6
190	57.9	OR 1	0	1	0	3	0	2	6	8
		OR 1	0	1	0	2	1	2	6	8
		OR 2	0	1	0	3	0	4	2	9
		OR 2	0	1	0	2	1	4	2	9
200	61.0	OR 0	0	2	0	3	0	0	4	8
		OR 0	0	2	0	2	1	0	4	8
		OR 0	0	0	0	4	0	0	8	8
		OR 0	0	0	0	3	0	0	8	8

BOOM HANDLING INSTRUCTIONS

ATTACHMENT ARRANGEMENT	GANTRY POSITION	MAX. LENGTH OF BOOM HANDLED	BOOM MAKE UP	BOOM CONDITIONS OR LIMITATIONS	SWING ALLOWED	
					CRAWLERS RETRACTED CTWTS INSTALLED	CRAWLERS EXTENDED CTWTS INSTALLED
EQUALIZER PINNED TO LUGS ON BOOM BUTT	UP	59 FT.	BUTT & INSERTS ONLY	CAN CANTILEVER 40 FT. OF INSERTS.	NO*	YES
	DOWN	59 FT.	BUTT & INSERTS ONLY	CAN CANTILEVER 40 FT. OF INSERTS.	NO*	YES
PENDANTS ATTACHED TO BOOM TOP	DOWN	80 FT WITHOUT JIB	BUTT, INSERTS & TOP	LOAD BLOCK, HOOK AND WEIGHT BALL MAY BE SUSPENDED BELOW BOOM POINTS	NO*	YES
		70 FT WITHOUT JIB	BUTT, INSERTS & TOP	LOAD BLOCK, HOOK AND WEIGHT BALL MAY BE SUSPENDED BELOW BOOM POINTS	NO*	YES

(19) 81011695 MAY BE USED IN PLACE OF 910837.
 (20) 81011696 MAY BE USED IN PLACE OF 910838.

(15) RIGGING AND HANDLING NOTE!
 WITH THE GANTRY DOWN AND THE BOOM BUTT ONLY ATTACHED TO THE MACHINE, THE BRAKE GUARD(S) WILL BE DAMAGED IF THE BUTT SECTION CENTERLINE IS NOT HORIZONTAL OR ABOVE.
 (16) REQUIRED FOR BOOM BUTT MOUNTED AUX. WINCH.
 (17) REQUIRED FOR ROTATING BED MOUNTED AUX. WINCH.
 (18) LOWER BOOM POINT LOAD SENSOR SHEAVE SUB-ASSEMBLY(S) CAN NOT BE USED WHEN MACHINE IS EQUIPPED AND REEVED WITH AN AUX. WINCH. PENDANT PINS (2) 74079 REPLACE PIN (195109 REF.) FOR THIS CONFIGURATION.



BILL OF MATERIAL		ASSEMBLIES USED ON
QTY	DESCRIPTION	
	2280-0000 BASIC BOOM 40 FT. (12.2M)	
1	WASHER	1253513
2	PIN	7407918
3	EQUALIZER ASSEMBLY	912004
4	PENDANT	2769388
5	PENDANT - BASIC (21.0 FT) (6.4M)	2772146
6	PIN, SNAP	56382311
7	BOOM TOP ASSEMBLY	911207
8	BOOM BUTT ASSEMBLY	195084
9	BOOM STOP ASSEMBLY	912307
10	GANTRY ASSEMBLY	195166
11	WIRE ROPE TIMBER GUARD ASSEMBLY	168494
12	PENDANT	2775129
13		
14		
15		
16		
17		
18		
19		
20		
	2280-0010 INSERT 10 FT (3.05M)	
21	INSERT 10 FT (3.05M)	910840
22		
23	PENDANT 10 FT (3.05M)	2767376
	2280-0020 INSERT 10 FT W/JIB BACKSTAY	
24	INSERT 10 FT (3.05M)	910841
25		
26	PENDANT 10 FT (3.05M)	2767376
	2280-0030 INSERT 20 FT (6.10M)	
27	INSERT 20 FT (6.10M)	91083820
28		
29	PENDANT 20 FT (6.10M)	2767386
	2280-0040 INSERT 20 FT W/JIB BACKSTAY	
30	INSERT 20 FT (6.10M)	910839
31		
32	PENDANT 20 FT (6.10M)	2767386
	2280-0050 INSERT 40 FT (12.19M)	
33	INSERT 40 FT. (12.19M)	910836
34		
35	PENDANT 40 FT (12.19M)	2768106
	2280-0060 INSERT 40 FT W/JIB BACKSTAY	
36	INSERT 40 FT (12.19M)	91083719
37		
38	PENDANT 40 FT (12.19M)	2768106
	2280-0100 BOOM HOIST WIRE ROPE	
39	WIRE ROPE .625 X 480' LG	719286
	2280-0110 BOOM HOIST WIRE ROPE	
40	WIRE ROPE .625 X 480' LG	719345
	2280-0115 BOOM HOIST WIRE ROPE	
41	WIRE ROPE .625 X 480' LG	A00121
	2280-0120 BOOM HOIST WIRE ROPE FOR 5:1 CODE REQUIREMENT	
42	WIRE ROPE .625 X 480' LG	719423
	OPTIONAL ASSEMBLY LIST	
43	UNIV. WIRE ROPE ANCHOR JOINT ASS'Y	16693610
44	UPPER BOOM POINT ASSEMBLY	9111037
45	LOWER BOOM POINT SHAFT ASS'Y (PILE DRIVING)	9111087
46	BOOM TOP SHAFT ASS'Y (2 SHEAVE)	91301512
47	WIRE ROPE ROLLER GUIDE ASSEMBLY	16476614
48	BOOM BUTT MTD. AUX. WINCH SUB-ASS'Y	19359516
49	MOD. TO BOOM BUTT WELDMENT FOR AUX. WINCH	42137916
50	FRONT MOUNTED AUX. WINCH ASSEMBLY	91120617
51	WIRE ROPE GUIDE SUB-ASSEMBLY	19395117
52	LWR. BOOM PT. SFT. & ROPE GUARD ASS'Y (CLAM ROLLERS)	913015
53	FLEETING SHEAVE ASSEMBLY	91150317

- (1) MAXIMUM NUMBER OF 10 FT. INSERTS = 2.
- (2) MAXIMUM NUMBER OF 20 FT. INSERTS = 2.
- (3) COMBINATION OF 10 FT. AND 20 FT. INSERTS CANNOT EXCEED 2-10 FT. + 1-20 FT. OR 1-10 FT. + 2-20 FT.
- (4) STARTING WITH THE BOOM BUTT, INSERTS MUST BE INSTALLED IN ORDER OF ASCENDING LENGTH.
- (5) MINIMUM BOOM LENGTH REQUIRED FOR JIB = 70 FT.
- (6) ON TAB DRAWING 75002.
- (7) FOR .875 WIRE ROPE.
- (8) SEE VIEW "C". REQUIRED FOR BOOM HANDLING. ALSO USED FOR COUNTERWEIGHT HANDLING AND RAISING THE GANTRY WITH 40 FT. BASIC BOOM. SEE TAB DRAWING 73025.
- (9) SEE VIEW "C". REQUIRED FOR GANTRY TIE-DOWN W/O COUNTERWEIGHTS INSTALLED.
- (10) THE WIRE ROPE ANCHOR JOINT ASS'Y. MUST BE REMOVED WHEN USING MULTIPLE PARTS OF LINE.
- (11) USED TO REPLACE PENDANT PIN COTTER PIN FOR PENDANT 276938.
- (12) REQUIRED FOR CLAM OPERATION.
- (13) QUANTITY AS REQUIRED.
- (14) SEE CHART FOR QUANTITY REQUIRED.