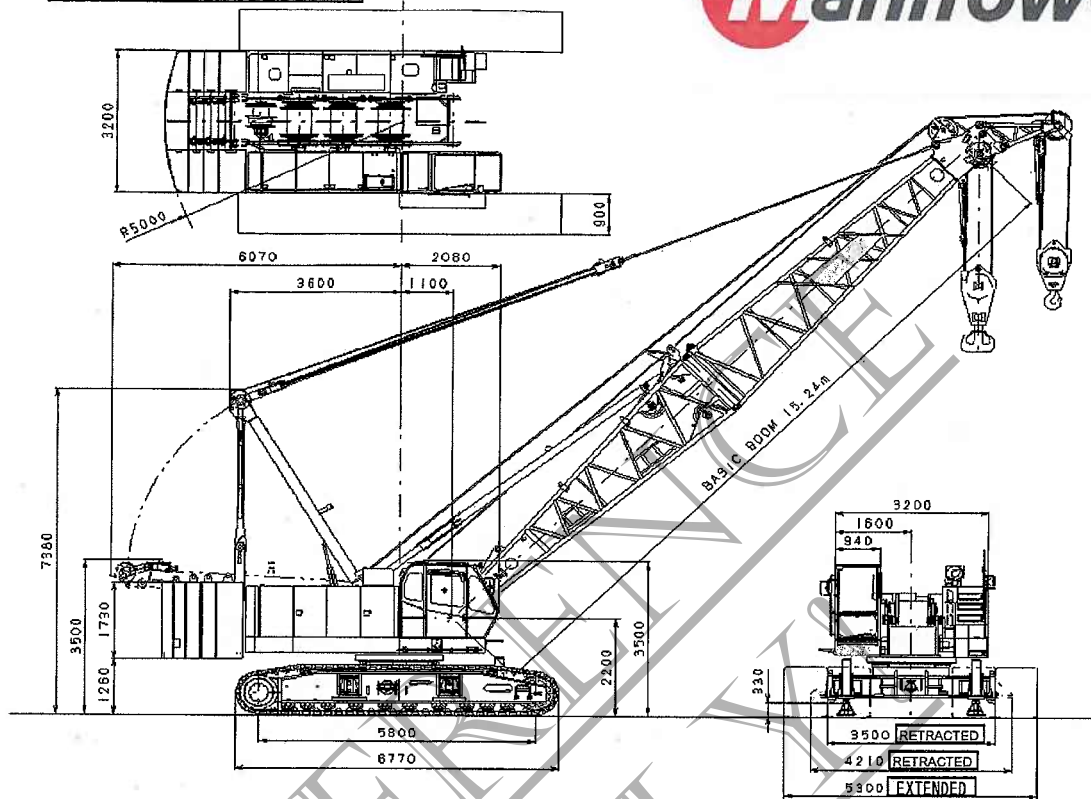


MANITOWOC 12000 C.G. CHART

Overall View(unit:mm)



NAME	WEIGHT kg	C.G. (UNIT:mm)		REMARK
		HORIZONTAL	HEIGHT	
UPPER MAIN BODY	19,759	-1,139	2,448	
LOWER MAIN BODY	38,584	-147	641	
MAIN HOIST ROPE	824	-230	2382	
AUX. HOIST ROPE	729	-1,255	2382	
BOOM HOIST ROPE	288	-3,072	2307	
HALF OF BACKSTOP	583	-617	3,020	
COUNTER WEIGHT 1	10,000	-3,616	2,092	
COUNTER WEIGHT 2	7,000	-4,028	2,065	
COUNTER WEIGHT 3	7,000	-4,337	2,065	
COUNTER WEIGHT 4	10,000	-4,709	2,081	
TOTAL	94,767	-1,822	1,578	

BOOM LENGTH m (ft.)	WEIGHT kg	C.G. mm
18.288 (60)	4,901	8,720
21.336 (70)	5,397	10,002
24.384 (80)	5,698	11,224
27.432 (90)	6,195	12,544
30.480 (100)	6,496	13,863
33.528 (110)	6,992	15,201
36.576 (120)	7,099	16,422
39.624 (130)	7,595	17,745
42.672 (140)	7,897	19,164
45.720 (150)	8,393	20,497
48.768 (160)	8,500	21,915
51.816 (170)	8,996	23,225
54.864 (180)	9,297	24,705
57.912 (190)	9,794	26,022
60.960 (200)	9,900	27,578
64.008 (210)	10,397	28,871
67.056 (220)	10,698	30,391
70.104 (230)	11,194	31,689

TIPPING POINT(mm)

SIDE (LOWER ROLLER TREAD CENTER)	2,200
----------------------------------	-------

NOTE:

- ※ DATUM POINT OF C.G.
HORIZONTAL: FROM CENTER OF SWING (+ : FORWARD, - : BACKWARD)
HEIGHT: FROM GROUND
- ※ LOWER MAIN BODY WEIGHT INCLUDES WEIGHT OF ALL SHOES.
- ※ ALL WIREROPE ARE WOUND UP IN THE DRUMS.
- ※ IF KOBELCO HOOK BLOCK IS ATTACHED WITH MACHINE, USE BELOW CHART.

TYPE OF HOOK	WEIGHT kg
120t OR 110t	1,700
70t	900
35t	700
13.5t	450

NOTE:

- ※ BOOM WEIGHT INCLUDES WEIGHT OF GUY CABLE.
- ※ BOOM WEIGHT INCLUDES HALF OF BACKSTOP WEIGHT.
- ※ C.G. IS DISTANCE FROM BOOMFOOT PIN CENTER.