

Potain Igo 42

Product Guide



Features

- 4000 kg (8818 lb) maximum capacity
- 1100 kg (2425 lb) capacity at 36 m (118 ft)
- 36 m (118 ft) maximum operating hook radius
- 33 m (108 ft) maximum hook height with 36 m (118 ft) jib set at 20°
- 23,2 m (76 ft) maximum tip hook height with jib horizontal



Features



Remote control with indicators

The remote control with indicators, in combination with variable frequency drives for all main functions, allows the Igo 42 operator to easily maneuver the crane from within an approximate three-hundred foot radius. CAN bus technology makes connecting to Dialog Wind, Top Zone and Top Tracing II even easier.



Multiple jib lengths

The Igo 42 comes with a 32 m (105 ft) jib as standard. Optional 4 m (13 ft) section can be added to achieve a tip capacity of 1100 kg (2425 lb) at 36 m (118 ft).



Ballast

The Igo 42 requires a combination of base ballast blocks and concrete slabs similar to those used on the Igo 36. Its small footprint and turning radius is compact and can be easily placed in congested areas.

Transport axle sets

Optional jobsite and highway transport axle sets are available to simplify the transportation of the Igo 42. Multiple combinations are available which can be trailed at 10 km/h (6 mph), 25 km/h (15.5 mph) or 80 km/h (50 mph).



Specifications	4
Transport	5
Dimensions	7
Load charts	8
Crane profile and working range	9
Mechanisms	10
Metric dimensions	11
Metric load charts	12
Metric crane profile and working range	13
Metric mechanisms	14
Symbols glossary	15

Specifications



Jib

32 m (105 ft) radius standard tri-folding offsettable lattice jib. Two (2) tie bar lines with adjustable lengths allow jib to be offset to 20°. Opening and aligning are carried out automatically by hydraulic cylinders.



*Optional jib extensions

4 m (13 ft) removable jib extension allows maximum radius of 36 m (118 ft).



Mast

Galvanized folding mast with hydraulic cylinder for erection. Two (2) erecting speeds controlled from the remote. No locking necessary. 360° rotation possible during erection.



Chassis

Outriggers swing and lock into position. 4,2 m (13.8 ft) square outrigger spread with 2,5 m (8.2 ft) maximum slewing radius. Level bubble integrated into the chassis. Outrigger pads are stowed on the crane during transport (415 x 440 mm [16.3 in x 17.3 in]).



*Ballast

4700 kg (10,362 lb) concrete ballast blocks standard. Crane with standard ballast is able to be transported on several *axle sets.

*Additional 19 500 kg (42,989 lb) concrete ballast required.



*Optional manual ballasting derrick

Uses the hoisting winch to ballast the crane or dismantle/attach *fifth-wheel. Stows alongside the jib during transport.



Electrical requirement

480 volt, 60 Hz measured at the turntable. Earth rod and electric cable stored on the crane during transport.



Reeving

SM/DM hook block for 2 (SM) or 4-part line (DM). Manual removal of one pin to change between SM and DM. Pure SM1 (section of hook block removed) is possible with gain of 100 kg (220 lb) lifting capacity.



Controls

Wireless remote control provides information to the operator about **wind speed, radius, hook height, load, and moment. Lights and buzzers alert the operator when nearing limits of operation. Battery charger and extra battery are provided with crane.

Auxiliary remote attached by umbilical cord ensures continual operation in case of battery or other malfunction of the wireless remote control.



*Optional anemometer

Electronic wind speed meter (anemometer) to alert the operator of wind speed conditions. Provides selective display on the radio remote. Crane can be operated with wind gusts up to 72 km/h (45 mph).



Swing

RVF 41 Optima + slewing mechanism with maximum swing speed of 0.8 rpm. Progressive control of speed with counter-slewing possible, anti-load swinging system makes aligning the load and jib easier. Multiple rpm speeds possible depending upon parameter selected.



Hoist

15 LVF 10 Optima: 15 hp variable frequency hoist with 1 t (1.1 USt) line pull. Progressive speed change according to the accelerating or decelerating ramps. Optima allows the hoist to adapt its speed to the weight of the load.



Trolley

3 DVF 5: 3 hp variable frequency hoist with 500 kg (1102 lb) line pull. Progressive speed change according to acceleration of deceleration ramps controlled by the frequency converter.



Hydraulic equipment

Hydraulic cylinders are used for raising the mast, unfolding the jib, and slewing the derrick. All actions are carried out by the remote control.



*Optional transport axle sets

Axle sets are available for both jobsite and highway applications. Jobsite axles are rated at either 10 km/h (6 mph) or 25 km/h (15.5 mph); highway axle set is rated at 80 km/h (50 mph).

*Optional equipment

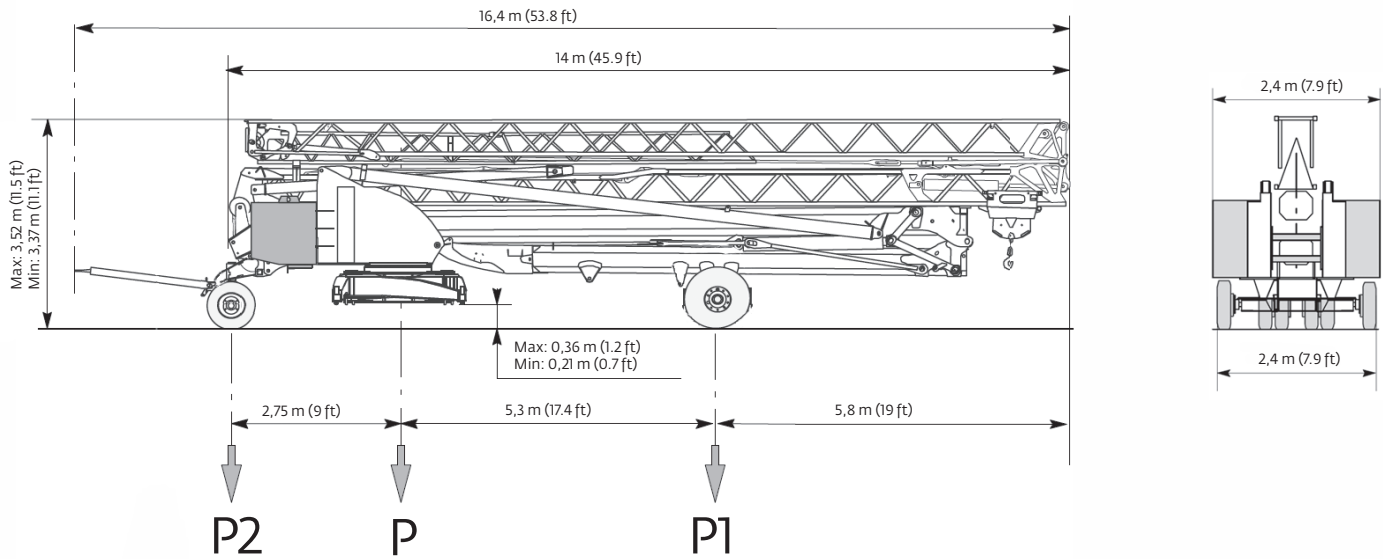
- * STANDARD NORTH AMERICAN SPECIFICATION: Includes 36 m (118 ft) jib set of concrete ballast slabs, ballasting derrick, high sole plates, and Dialog Wind
- * 36 m (118 ft) jib radius
- * Transport axles and kits
- * Top Zone
- * Top Tracing
- * Dialog Wind

Consult price list for additional options

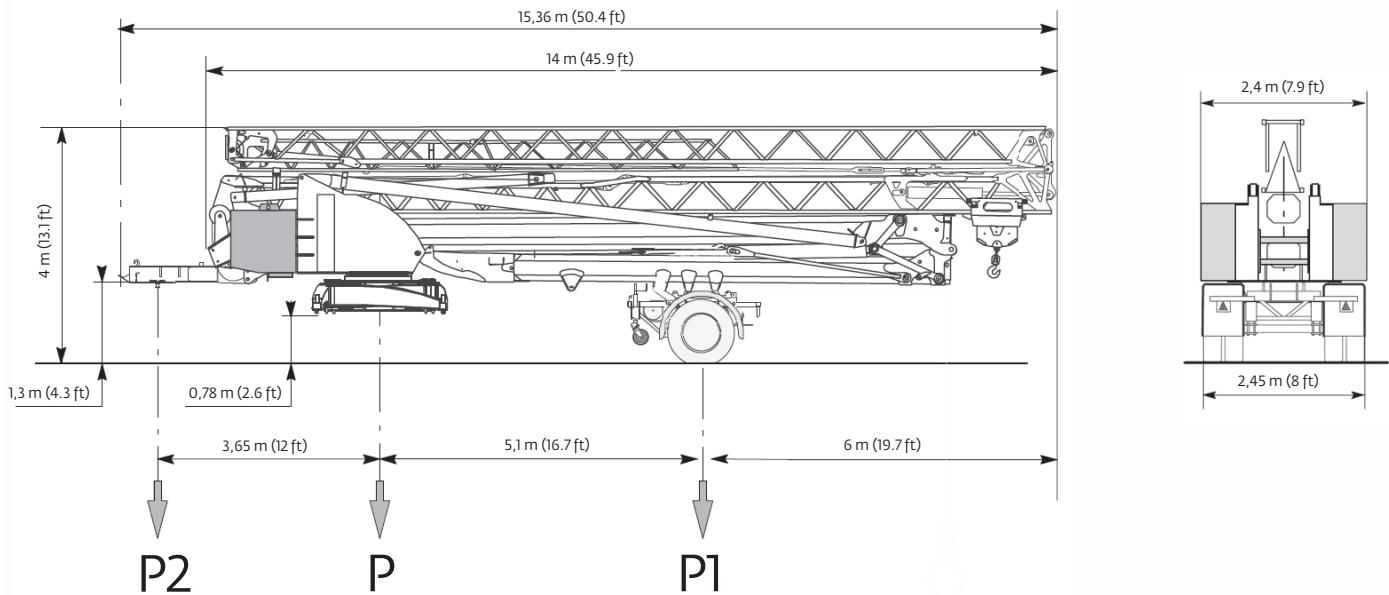
**Requires optional anemometer

Transport

DJ100 / S120 10 km/h / 6 mph



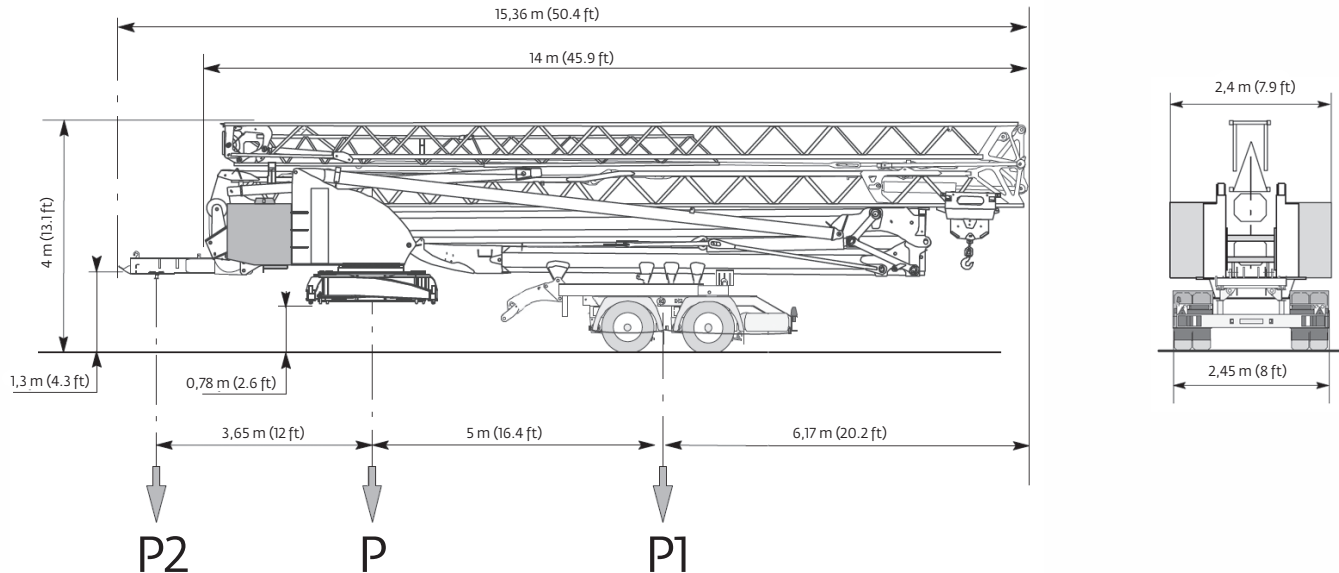
SL121 / J135 25 km/h / 15.5 mph



NOTE: Dimensions and weights may vary due to manufacturing tolerances.

Weights

SL122 / J215M 80 km/h / 50 mph



Chassis data (in transport position)

	DJ100 / S120 10 km/h / 6 mph		SL121 / J135 25 km/h / 15.5 mph		SL122 / J215M 80 km/h / 50 mph	
	(meters)	(feet)	(meters)	(feet)	(meters)	(feet)
Overall length	16,4	53.8	15,36	50.4	15,36	50.4
Overall height	max: 3,52 min: 3,37	max: 11.5 min: 11.1	4	13.1	4	13.1
Overall width	2,4	7.9	2,45	8	2,45	8
Overhang	5,8	19	6	19.7	6,17	20.2

Weights

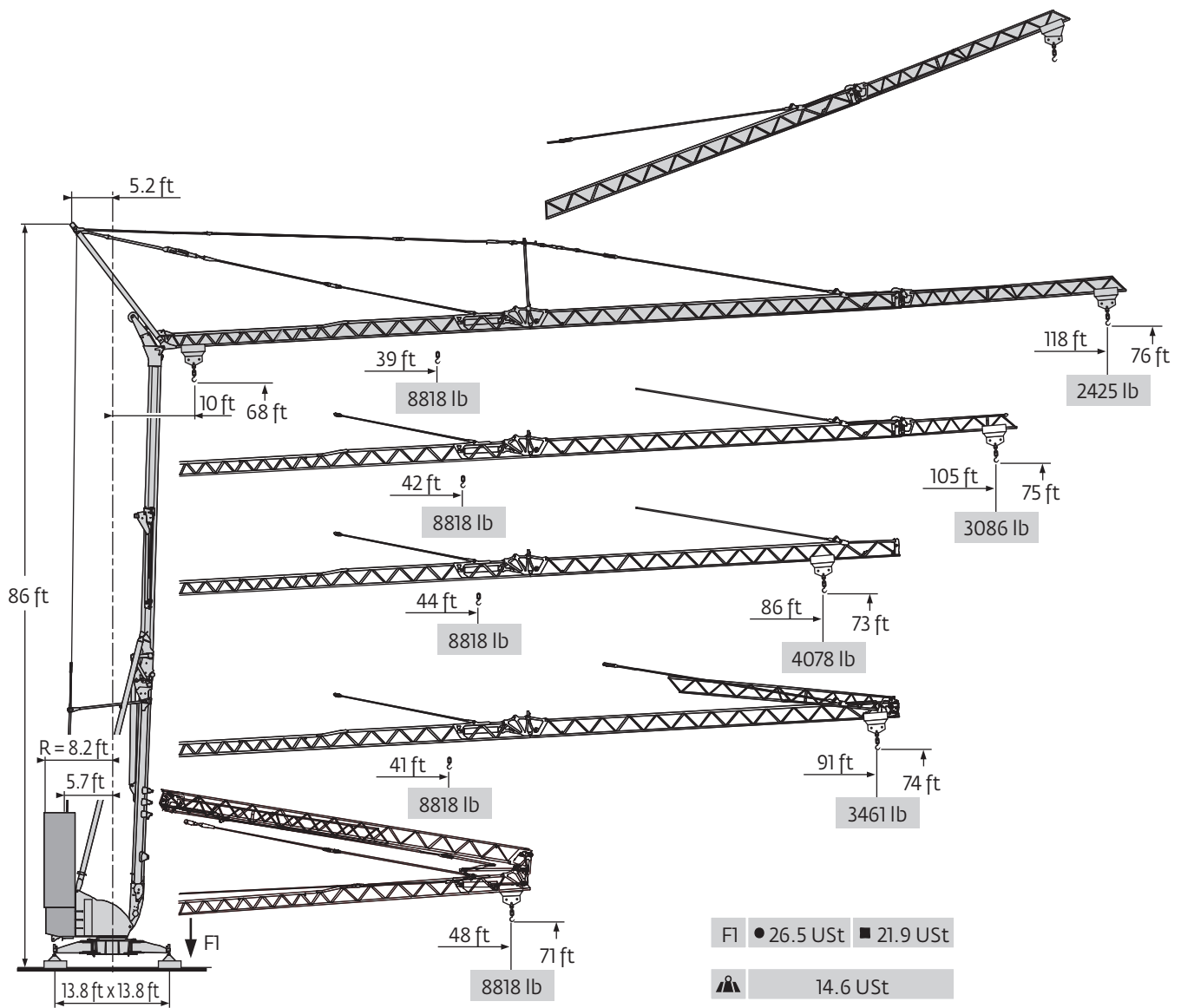
Crane weight less counterweight:	13 200 kg	29,101 lb
Counterweight for operation:	24 200 kg	53,351 lb
Crane with counterweight:	37 400 kg	82,452 lb

Crane with transport equipment

	DJ100 / S120 10 km/h / 6 mph		SL121 / J135 25 km/h / 15.5 mph		SL122 / J215M 80 km/h / 50 mph	
	(kilograms)	(pounds)	(kilograms)	(pounds)	(kilograms)	(pounds)
In transport with minimal counterweight:						
Gross (P)	19 280	42,504	20 190	44,511	21 260	46,869
Rear (P1)	10 980	24,206	12 730	28,064	13 910	30,666
Front (P2)	8300	18,298	7460	16,446	7350	16,204
Counterweight in transport (2 blocks):	4700	10,362	4700	10,362	4700	10,362

NOTE: Dimensions and weights may vary due to manufacturing tolerances.

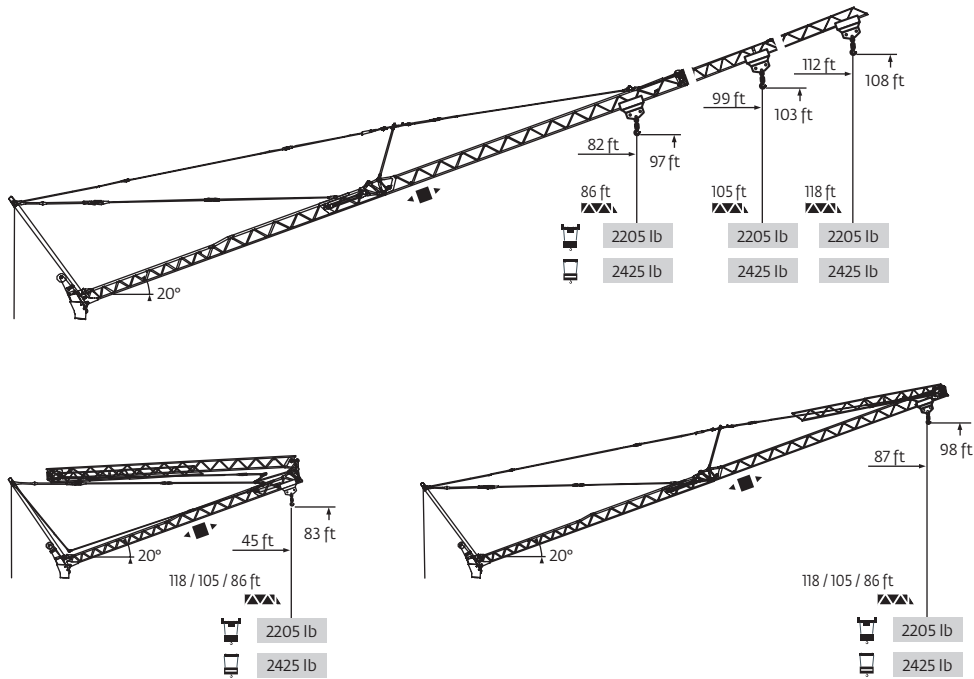
Dimensions



Load charts

118 ft	10	39	39	46	52	59	66	68	72	72	79	85	92	98	105	112	118	ft	
		8818	8708	7176	6085	5258	4619	-	-	4101	3682	3340	3042	2789	2568	2381	2205	lb	
									4409	-	4101	3682	3340	3042	2789	2568	2381	2205	lb
									4409	4354	3924	3571	3274	3020	2789	2601	2425	lb	
105 ft	10	42	46	52	59	66	72	74	77	79	85	92	98	105	ft				
		8818	7926	6724	5820	5115	4553	-	-	4090	3715	3384	3109	2866	lb				
									4409	-	4090	3715	3384	3109	2866	lb			
									4409	4332	3946	3616	3329	3086	lb				
86 ft	10	44	46	52	59	66	72	77	79	81	86	ft							
		8818	8333	7077	6129	5390	4806	-	4321	-	3858	lb							
									4409	4255	-	3858	lb						
									4409	4079	lb								

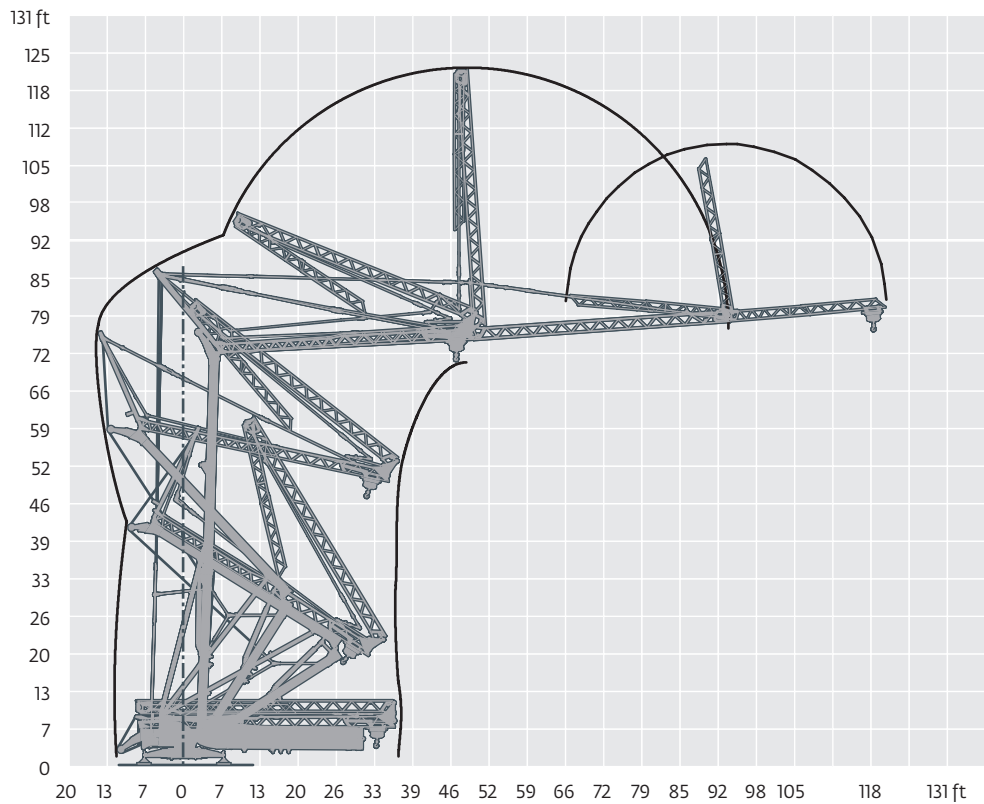
118 / 105 / 86 ft	10	48	41	46	52	59	66	71	72	74	79	85	91	ft
		8818	8818	7551	6393	5534	4872	-	4332	-	3891	3527	3241	lb
		4409	4409					4409	4332	-	3891	3527	3241	lb
		4409	4409					4409	4112	3748	3461	lb		



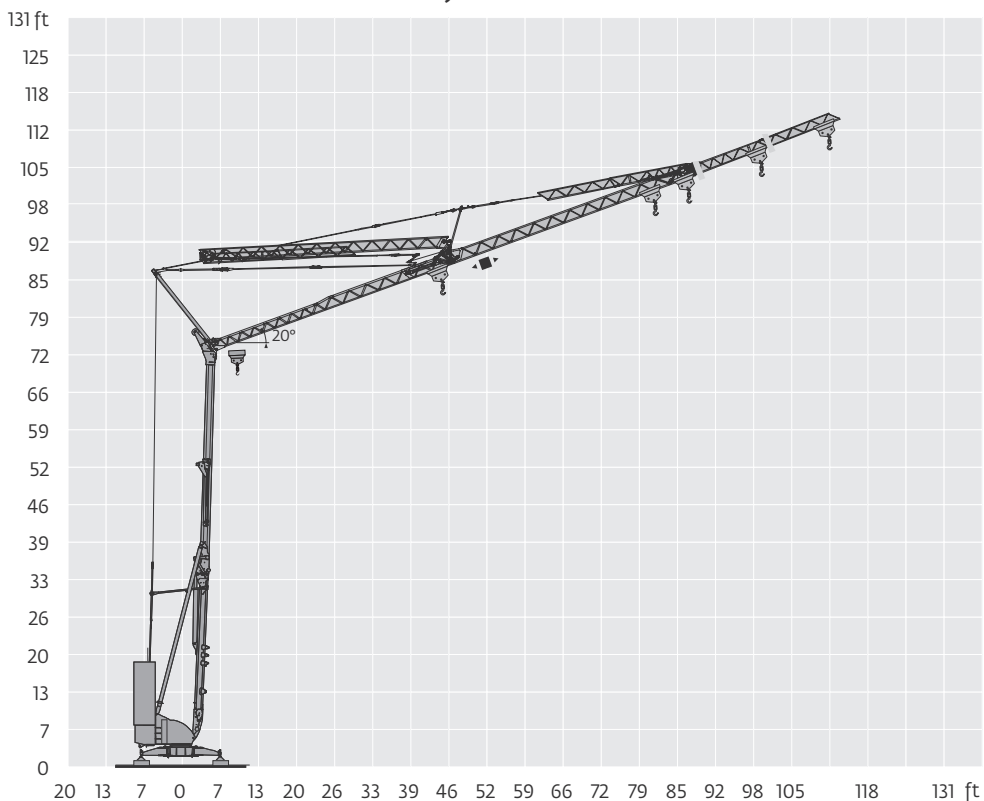
THIS CHART IS ONLY A GUIDE AND SHOULD NOT BE USED TO OPERATE THE CRANE.

The individual crane's load chart, operating instructions and other instructional plates must be read and understood prior to operating the crane.







Crane profile and working range




Jib raised 20°

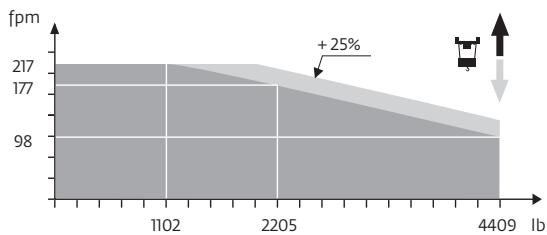


Mechanisms

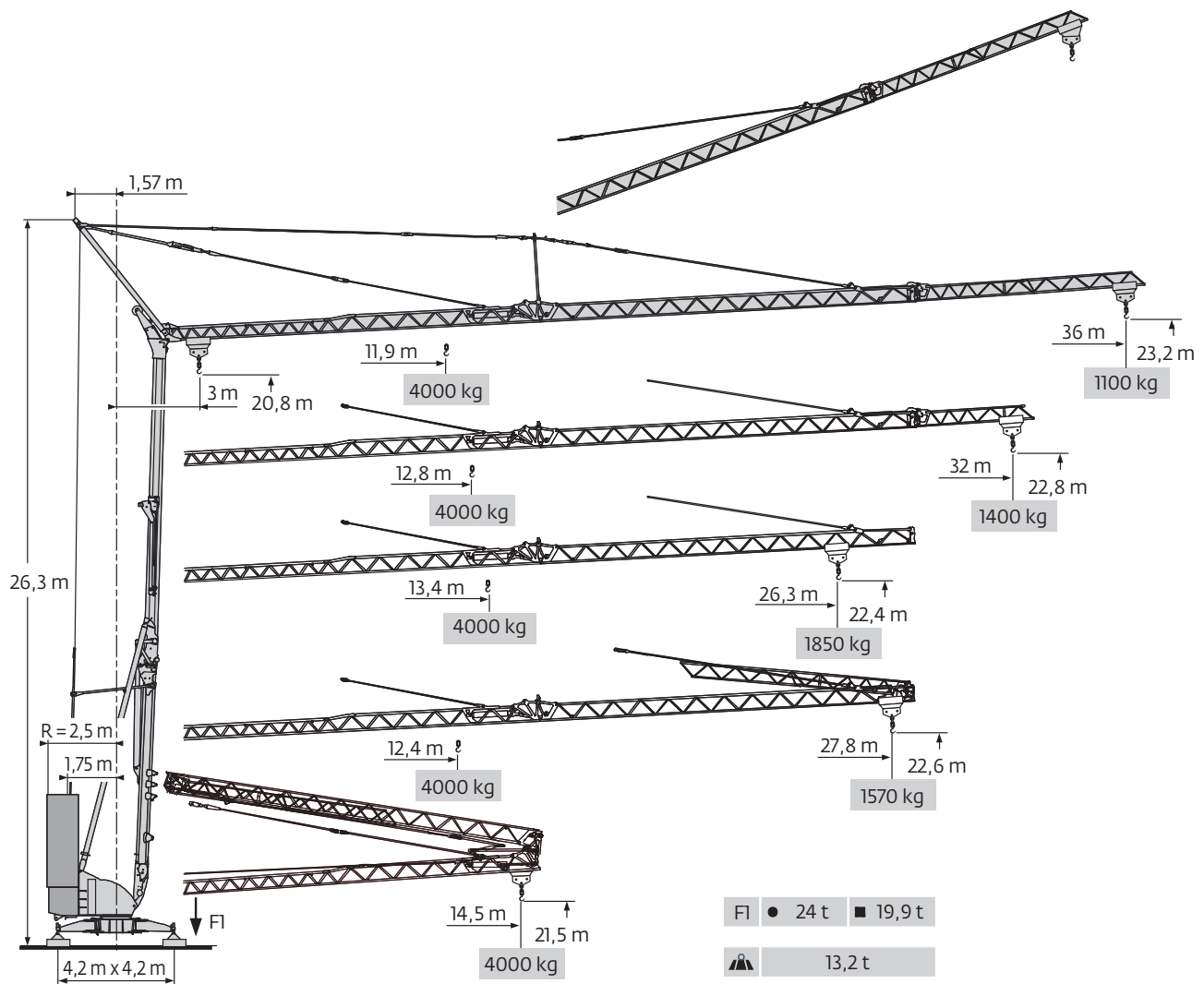
																	hp	kW	
	15 LVF 10 Optima	fpm	12	59	98	161	217	12	59	98	177	217	6	29	49	89	108	15	11
		lb	4409	4409	4409	2425	1102	4409	4409	4409	2205	1102	8818	8818	8818	4409	2205		
	3 DVF 5	fpm	49 - 98 - 148 (0 lb → 2205 lb) - 49 - 98 - 135 (2205 lb → 8818 lb)													3	2.2		
	RVF 41 Optima +	rpm	0 → 0.8													4	3		

CEI 38 	IEC 38	kVA
400 V (+6% -10%) 50 Hz		15 LVF 10 : 22 kVA
480 V (+6% -10%) 60 Hz		15 LVF 10 : 22 kVA

15 LVF 10 Optima



Metric dimensions



THIS CHART IS ONLY A GUIDE AND SHOULD NOT BE USED TO OPERATE THE CRANE.

The individual crane's load chart, operating instructions and other instructional plates must be read and understood prior to operating the crane

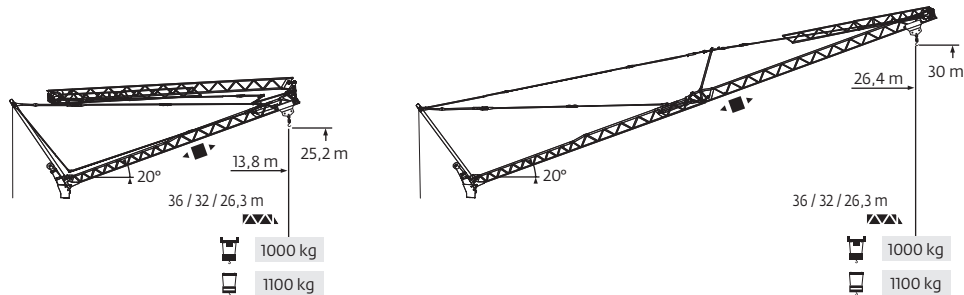
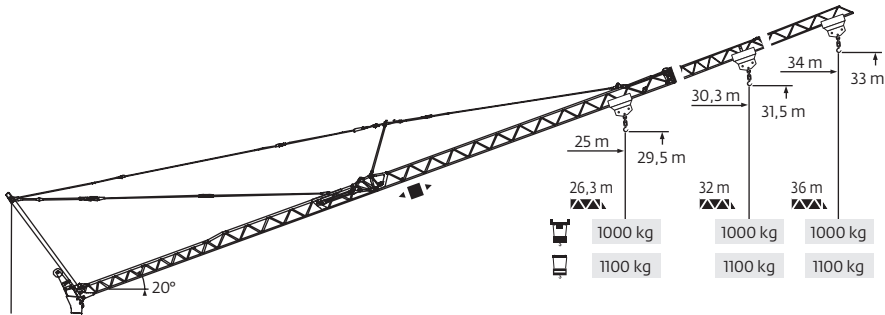
Metric load charts

Crane Model	3	11.9	12	14	16	18	20	20.8	21.8	22	24	26	28	30	32	34	36	m
36 m	▶	4000	3950	3255	2760	2385	2095	-	-	1860	1670	1515	1380	1265	1165	1080	1000	kg
								2000	-	1860	1670	1515	1380	1265	1165	1080	1000	kg
									2000	1975	1780	1620	1485	1370	1265	1180	1100	kg

Crane Model	3	12.8	14	16	18	20	22	22.6	23.6	24	26	28	30	32	m
32 m	▶	4000	3595	3050	2640	2320	2065	-	-	1855	1685	1535	1410	1300	kg
								2000	-	1855	1685	1535	1410	1300	kg
									2000	1965	1790	1640	1510	1400	kg

Crane Model	3	13.4	14	16	18	20	22	23.6	24	24.6	26.3	m
26.3 m	▶	4000	3780	3210	2780	2445	2180	-	1960	-	1750	kg
								2000	1930	-	1750	kg
									2000	1850		kg

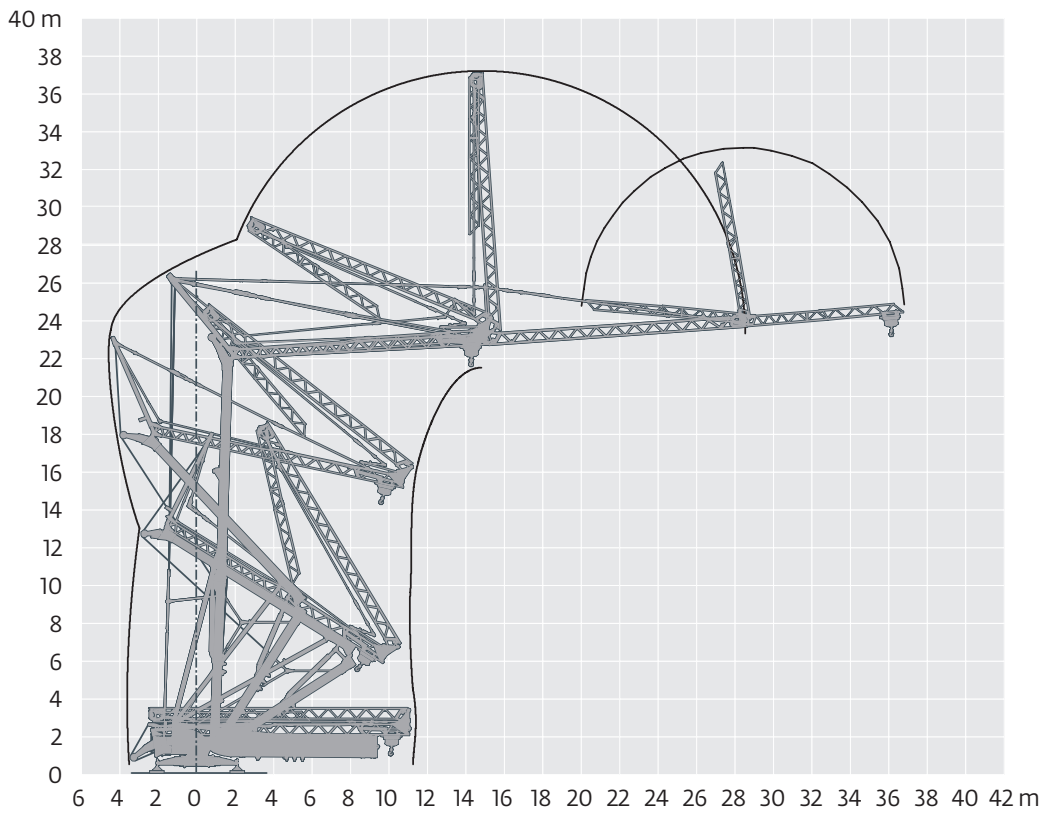
Crane Model	3	14.5	12.4	14	16	18	20	21.7	22	22.6	24	26	27.8	m
36 / 32 / 26.3 m	▶	4000	4000	3425	2900	2510	2210	-	1965	-	1765	1600	1470	kg
			2000					2000	1965	-	1765	1600	1470	kg
			2000						2000	1865	1700	1570		kg



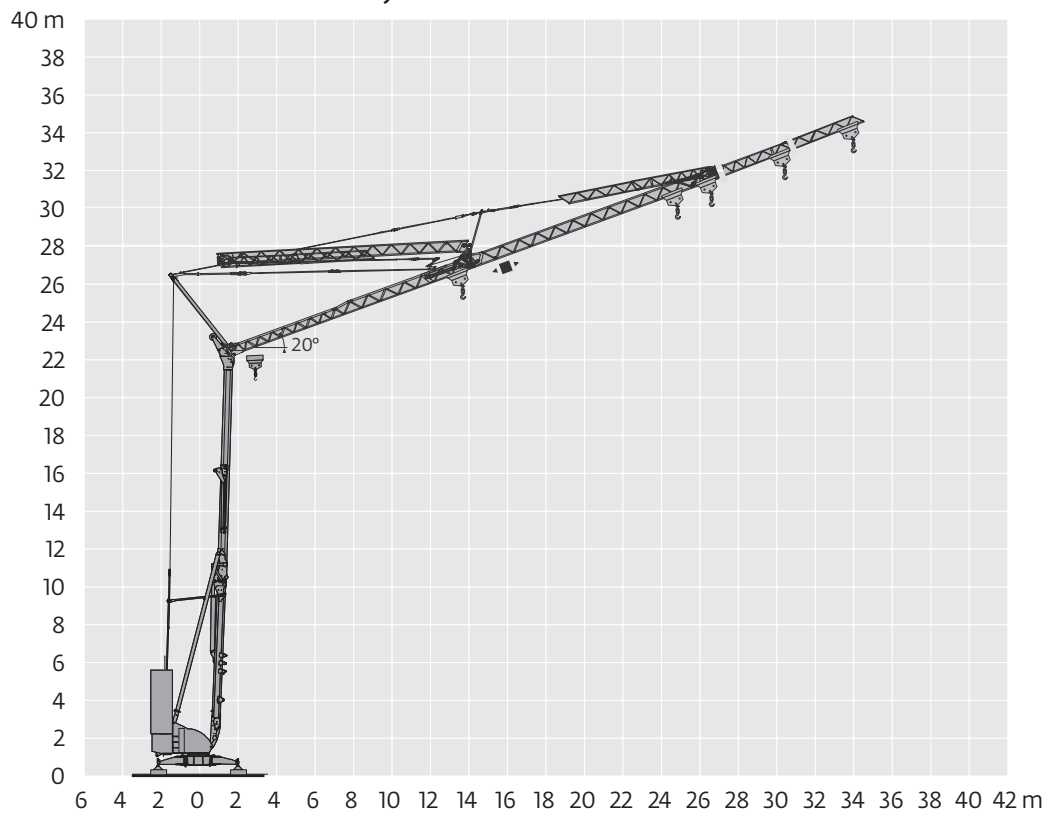
THIS CHART IS ONLY A GUIDE AND SHOULD NOT BE USED TO OPERATE THE CRANE.

The individual crane's load chart, operating instructions and other instructional plates must be read and understood prior to operating the crane.







Metric crane profile and working range




Jib raised 20°

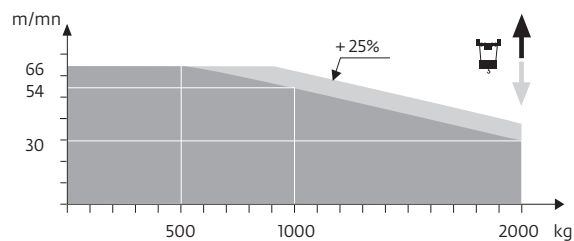


Metric mechanisms

																	hp	kW	
	15 LVF 10 Optima	m/min	3,6	18	30	49	66	3,6	18	30	54	66	1,8	8,9	15	27	33	15	11
		kg	2000	2000	2000	1100	500	2000	2000	2000	1000	500	4000	4000	4000	2000	1000		
	3 DVF 5	m/min	15 - 30 - 45 (0 kg → 1000 kg) - 15 - 30 - 41 (1000 kg → 4000 kg)													3	2.2		
	RVF 41 Optima +	rpm	0 → 0,8													4	3		

CEI 38 	IEC 38	kVA
400 V (+6% -10%) 50 Hz		15 LVF10 : 22 kVA
480 V (+6% -10%) 60 Hz		15 LVF10 : 22 kVA

15 LVF10 Optima



Symbols glossary



Jib



Mast



Anemometer



Swing



Outrigger



Chassis



Hydraulic equipment



Controls



Electrical requirement



Ballast



Transport axle



Ballasting derrick



Reeving



Hoist



Trolley



Jib extension

Regional headquarters

Manitowoc - Americas

Manitowoc, Wisconsin, USA

Tel: +1 920 684 6621

Fax: +1 920 683 6277

Shady Grove, Pennsylvania, USA

Tel: +1 717 597 8121

Fax: +1 717 597 4062

Manitowoc - Europe, Middle East & Africa

Ecully, France

Tel: +33 (0)4 72 18 20 20

Fax: +33 (0)4 72 18 20 00

Manitowoc - Asia Pacific

Shanghai, China

Tel: +86 21 6457 0066

Fax: +86 21 6457 4955

Regional offices

Americas

Brazil

Alphaville

Mexico

Monterrey

Chile

Santiago

Europe, Middle East & Africa

Czech Republic

Netvorice

France

Baudemont

Cergy

Decines

Germany

Langenfeld

Hungary

Budapest

Italy

Parabiago

Netherlands

Breda

Poland

Warsaw

Portugal

Baltar

Russia

Moscow

U.A.E.

Dubai

U.K.

Gawcott

Asia - Pacific

Australia

Brisbane

Melbourne

Sydney

China

Beijing

Xi'an

India

Hyderabad

Pune

Korea

Seoul

Philippines

Makati City

Singapore

Factories

Brazil

Alphaville

China

TaiAn

Zhangjiagang

France

Charlieu

La Clayette

Moulins

Germany

Wilhelmshaven

India

Pune

Italy

Niella Tanaro

Portugal

Baltar

Fânzeres

Slovakia

Saris

USA

Manitowoc

Port Washington

Shady Grove

This document is non-contractual. Constant improvement and engineering progress make it necessary that we reserve the right to make specification, equipment, and price changes without notice. Illustrations shown may include optional equipment and accessories and may not include all standard equipment.