

Service Bulletin D15-006

- X Information Only**
Product Update – Warranty
Product Update - Non Warranty
Action Required

Date:
April 16, 2015

To:
Mobile Crane Distributor Service Managers
Mobile Crane Field Support Personnel

Subject:
How to make a CAN Trace

Model(s) Affected:
All GMK

PURPOSE

From time to time, it may be necessary to get a record of the CAN bus activity. This document explains how to get the 'CAN trace'.

Step 1: Connect the change-over box

- Switch off ignition
- Unscrew protective cover on the right at the bottom of the crane operator's cab.
(Note: in CCS cranes, the superstructure connectors are behind the seat.)
- Connect switch box (part No. 03056586) diagnostic plug connection in the cab.



- Use the upper connector for RCL, the lower connector for ECOS

Attention! Check the description of the diagnostic plugs in older cranes!

Step 2: Select required CAN line

ECOS:

Carrier:

CAN 3: Megadrive

CAN 5: ESX 3

Superstructure:

CAN 1: ESX 0/1/4

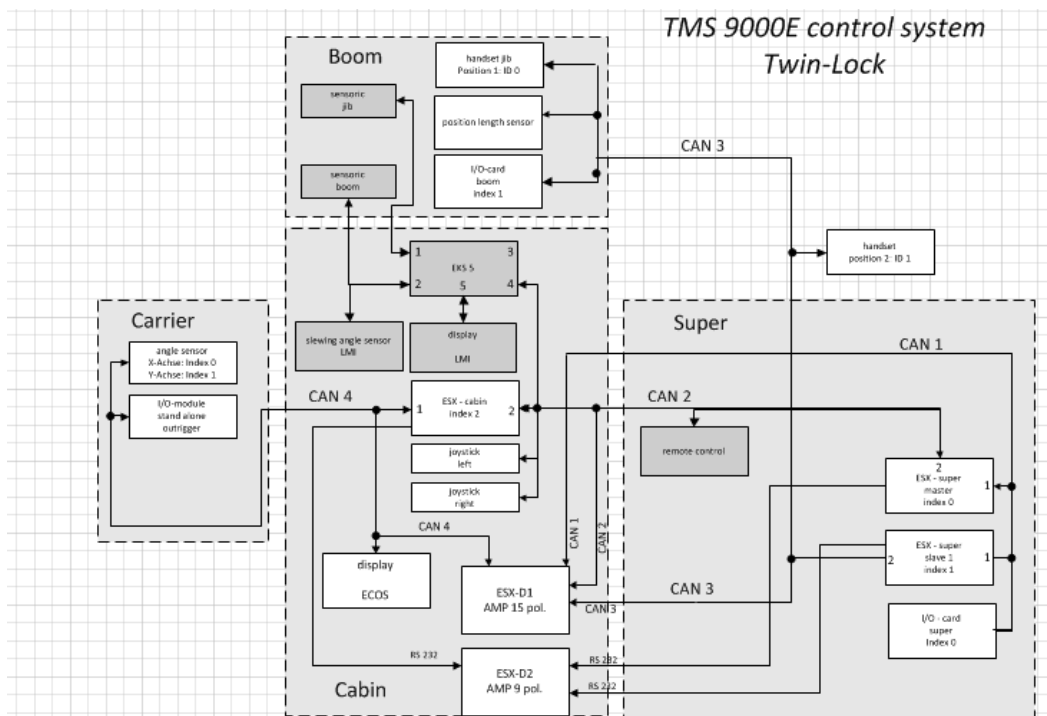
CAN 2: RCL

CAN 4: ESX 2

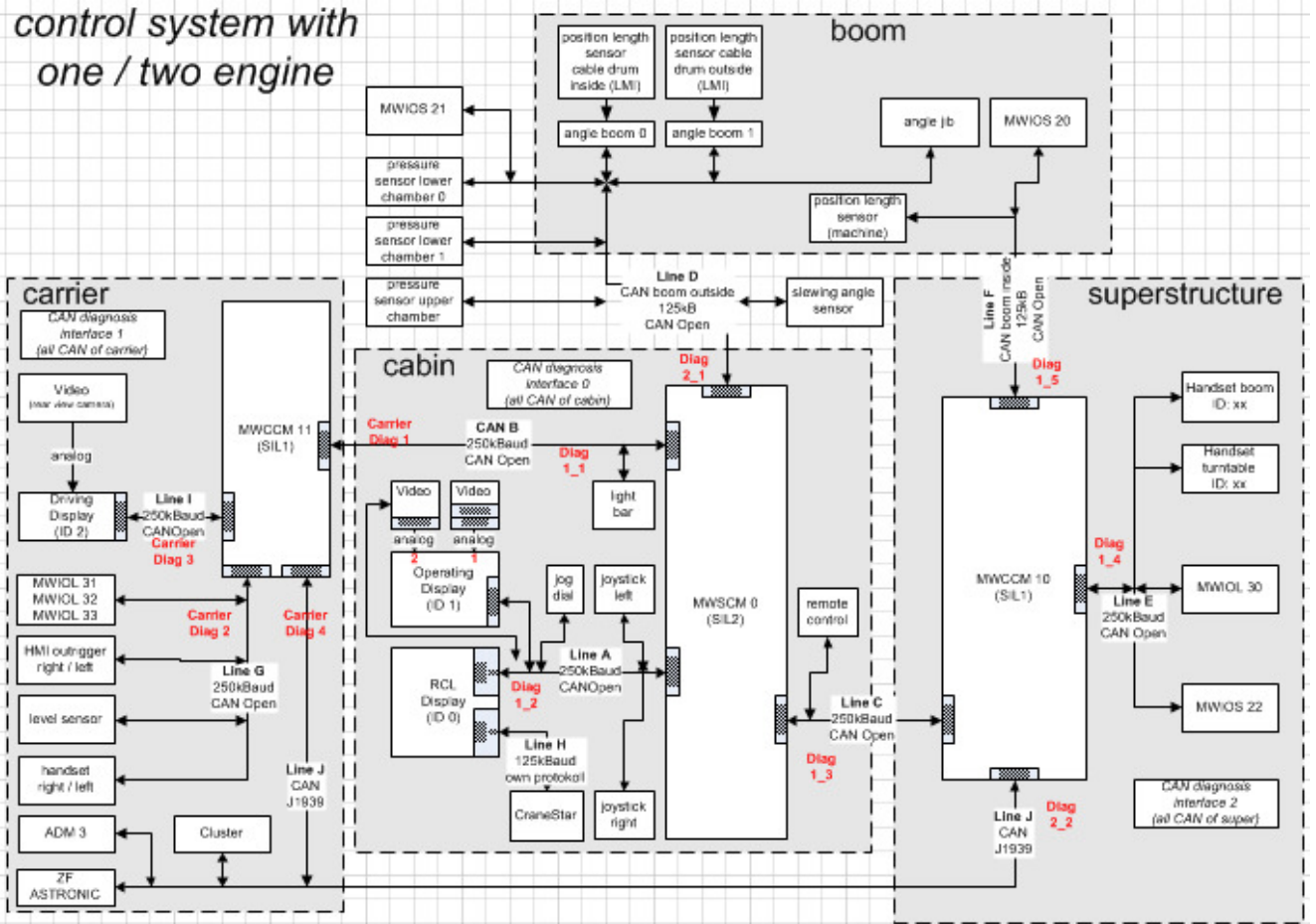
CCS:

Diagnostic Interface	Switchbox Position (CAN)	CAN Line	CAN Speed	Module to Flash
D1(OW)	1	B (Carrier)	250	CCM11
D1(OW)	2	A (Cabin)	250	SCM0
D1(OW)	3	C (Superstructure)	250	CCM10
D1(OW)	4	E (IOL30)	250	IOL30, IOL34, IOS22
D1(OW)	5	F (IOS20)	125	IOS20
D2(OW)	1	D (RCL sensors)	125	IOS21
D(UW)	3	G	250	IOL32, IOL33

ECOS configuration: This is an Example from TMS9000E Twin-Lock system



CCS configuration: the red marked diagnostic information shows the connection to the CAN lines:



Step 3: Plug CAN dangle to your computer and connect to switch box



Grove

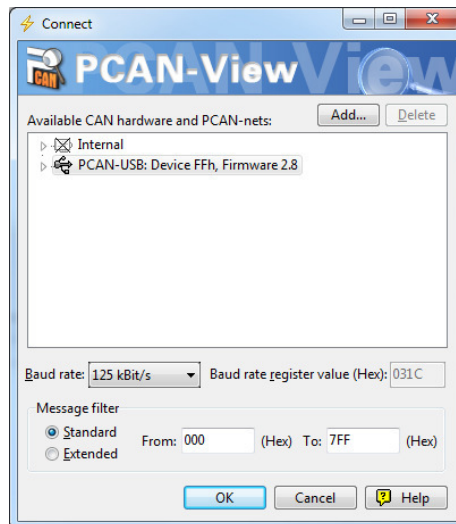
Manitowoc

National Crane

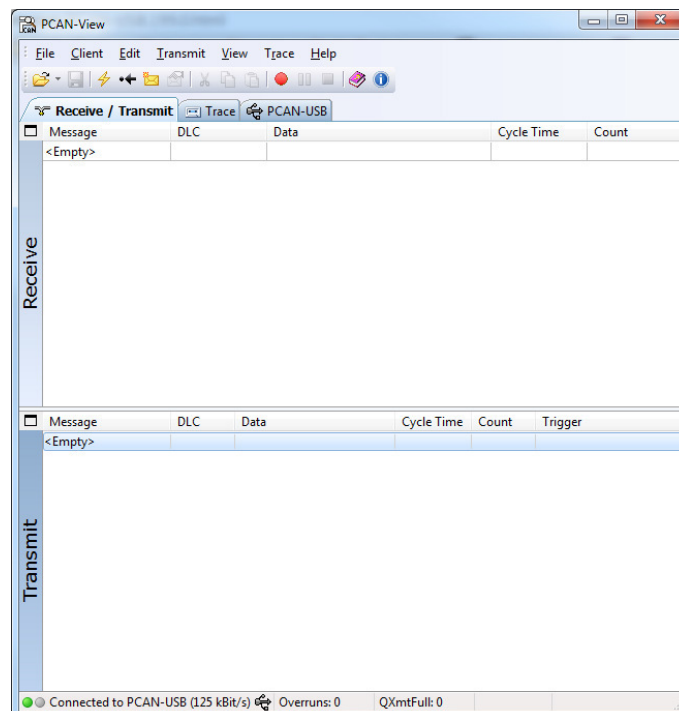
Potain

Step 4: Start PCAN-View

- The PCAN View Software is a free Software which is normally installed on your Computer. If it is not installed, please download the software from: <http://www.peak-system.com/PCAN-View.242.0.html>
- Check, if dongle is recognized by your computer
- Select Baud rate (Please refer to Step 2 for correct Baud rate selection)



Step 5: Start trace



Page 5
SB D15-006
April 16, 2015

- After starting the trace, use crane drive unit which is causing the issues to try to force a reaction.
- When the error occurs, stop the recording.
- Save the file with a unique name and send it to Crane Care.

Should you have any questions or complications, please contact Manitowoc Crane Care.