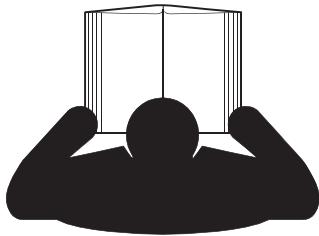


# OPERATOR MANUAL

## Supplement

### Crane Warm-up Procedures

For Reference Only



## DANGER

**An untrained operator subjects himself and others to death or serious injury. Do not operate this crane unless:**

- You are trained in the safe operation of this crane. Manitowoc is not responsible for qualifying personnel.
- You read, understand, and follow the safety and operating recommendations contained in the crane manufacturer's manuals and load charts, your employer's work rules, and applicable government regulations.
- You are sure that all safety signs, guards, and other safety features are in place and in proper condition.
- The Operator Manual and Load Chart are in the holder provided on crane.

---

## SECTION CONTENTS

<b>Crane Warm-up Procedures</b> .....	<b>1</b>
Engine.....	1
Transmission .....	1
Hoist .....	1
Swing Drive and Turntable Bearing .....	1
Axles.....	2
Hydraulic Oil System .....	2

---

---

For  
Reference  
Only

---

This Supplement provides information regarding the proper warm-up procedures for operating the crane in colder temperatures. The information provided here supplements the *Operator* and *Service Manuals* and must be used in conjunction with these manuals.

## CRANE WARM-UP PROCEDURES

The following procedures detail the actions that must be taken to properly warm the different crane components before operating the crane.

**NOTE:** For temperatures below -9°C (15°F) refer to arctic lubricants and conditions in the *Operator* and *Service Manuals*.

Before starting the crane, ensure the appropriate lubricants are used to provide lubrication for the prevailing ambient temperatures in which the crane will operate in (a list of lubricants and their temperature ranges can be found in the Lubrication section of your crane's *Operator Manual*, by contacting your local Manitowoc distributor, or by contacting Manitowoc Crane Care directly).

---

### CAUTION

#### Crane Damage Hazard!

Operating the crane with the incorrect lubricants and fluids for the prevailing ambient temperature and/or failing to adequately warm the crane prior to cold weather operation can lead to a failure of a crane component or system.

Always use Manitowoc recommended lubricants and fluids for the prevailing ambient temperature and properly start and warm the crane using the cold weather procedures found in this *Operator Manual* and supplement before operating the crane at full load.

---

## Engine

**NOTE:** For National Crane engine warm-up procedures, refer to chassis manufacturer's manual.

### Warm-up Procedures for All Temperature Ranges:

1. Upon startup, allow the engine to idle for 3 to 5 minutes before operating with a load.
2. Cold Engine Startup: After allowing the engine to warm by idling it for 3 to 5 minutes, slowly increase the engine speed to provide adequate lubrication to the bearings and to allow the oil pressure to stabilize.

## Transmission

**NOTE:** For National Crane transmission warm-up procedures, refer to chassis manufacturer's manual.

Operating the transmission with a sump temperature below normal operating temperature is limited to:

- operating in the neutral gear or
- driving with an unloaded crane while not exceeding 1500 engine RPM and not exceeding half throttle.

### Alternate Warm-up Procedures for Truck Mount (TM/TMS) Cranes:

1. Setup the crane on outriggers.
2. Engage the transmission and allow crane to run at idle until the temperature of the transmission sump reaches normal operating temperature.

## Hoist

Performing a warm-up procedure is recommended at every startup and is required at ambient temperatures below 4°C (40°F).

### Warm-up Procedures:

1. Without operating the hoist function, warm the hydraulic oil (see *Hydraulic Oil System*, page 2).
2. Once the hydraulic system is warm, operate the unloaded hoist, in both directions, at low speeds several times to prime all hydraulic lines with warm hydraulic oil and to circulate gear lubricant through the planetary gear sets.

## Swing Drive and Turntable Bearing

### Warm-up Procedures for Temperatures Above -7°C (20°F):

1. Setup the crane on fully extended outriggers, with the boom fully retracted and near maximum lift angle with no load applied.
2. Rotate the superstructure at a speed of less than one RPM for at least one complete revolution in one direction, then rotate the superstructure at a speed of less than one RPM for at least one complete revolution in the opposite direction.

### Warm-up Procedures for Temperatures Below -7°C (20°F):

1. Ensure the boom is fully retracted and near maximum lift angle with no load applied.
2. Rotate the superstructure at a speed of less than one-half RPM for at least two complete revolutions in one direction, then rotate the superstructure at a speed of less than one-half RPM for at least two complete revolutions in the opposite direction.

---

## Axles

**NOTE:** For National Crane axle warm-up procedures, refer to chassis manufacturer's manual.

## Hydraulic Oil System

### Operating Limits and Warm-up Procedures:

- **From 4°C to -10°C (40°F to 15°F):** Crane operation without a load is allowed with medium engine RPM and medium function speed (joystick position) until the fluid reaches at least 10°C (50°F). It is then recommended that all crane functions be cycled to remove cold fluid from all components and cylinders of the hydraulic system. If there is any unusual sound coming from the

crane's hydraulic pumps or motors, stop the operation and engine immediately and contact a Manitowoc distributor.

- **From 10°C to 4°C (50°F to 40°F):** Crane operation with a load is allowed with medium engine RPM and medium function speed (joystick position) until the fluid reaches at least 10°C (50°F).
- **From 95°C to 10°C (200°F to 50°F):** Crane operation with a load is allowed with no restrictions.
- **Above 95°C (200°F):** No crane operation is allowed. Let the crane's hydraulic oil cool by running the engine at idle with no functions actuated.

For  
Reference  
Only

# National Crane **1300A**

## Operator Manual



Grove

Manitowoc

National Crane

Potain





## **WARNING**

### **California Proposition 65**

Breathing diesel engine exhaust exposes you to chemicals known to the State of California to cause cancer and birth defects or other reproductive harm.

- Always start and operate the engine in a well-ventilated area.
- If in an enclosed area, vent the exhaust to the outside.
- Do not modify or tamper with the exhaust system.
- Do not idle the engine except as necessary.

For more information, go to [www.P65warnings.ca.gov/diesel](http://www.P65warnings.ca.gov/diesel)

Batteries, battery posts, terminals, and related accessories can expose you to chemicals, including lead and lead compounds, which are known to the State of California to cause cancer and birth defects or other reproductive harm. Wash hands after handling. For more information, go to [www.P65warnings.ca.gov](http://www.P65warnings.ca.gov)

### **California Spark Arrestor**

Operation of this equipment may create sparks that can start fires around dry vegetation. A spark arrestor may be required. The owner/operator should contact local fire agencies for laws or regulations relating to fire prevention requirements.

---

The original language of this publication is English.

# National Crane

## OPERATOR MANUAL

This manual has been prepared for and is considered part of the

### 1300A

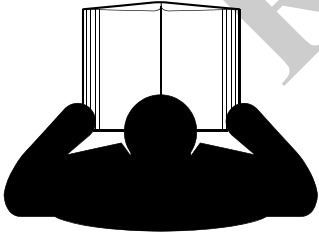
This Manual is divided into the following sections:

SECTION 1	INTRODUCTION
SECTION 2	SAFETY PRECAUTIONS
SECTION 3	CONTROLS AND OPERATING PROCEDURES
SECTION 4	SET-UP
SECTION 5	LUBRICATION PROCEDURE AND CHARTS
SECTION 6	MAINTENANCE CHECKLIST

#### NOTICE

The crane serial number is the only method your distributor or the factory has of providing you with correct parts and service information.

The crane serial number is identified on the builder's decal attached to the right side of the turret. **Always furnish crane serial number** when ordering parts or communicating service problems with your distributor or the factory.



## ⚠ DANGER

**An untrained operator subjects himself and others to death or serious injury. Do not operate this crane unless:**

- You are trained in the safe operation of this crane. Manitowoc is not responsible for qualifying personnel.
- You read, understand, and follow the safety and operating recommendations contained in the crane manufacturer's manuals and load charts, your employer's work rules, and applicable government regulations.
- You are sure that all safety signs, guards, and other safety features are in place and in proper condition.
- The Operator's Manual and Load Chart are in the holder provided on crane.

*For  
Reference  
Only*



**SECTION 1**

**Section 1** ..... **Introduction**

- General ..... 1-1
  - Supplemental Information ..... 1-1
  - Safety Information ..... 1-1
  - Basic Nomenclature ..... 1-1
  - New Owner ..... 1-3

**SECTION 2**

**Section 2** ..... **Safety Precautions**

- Safety Messages ..... 2-1
  - General ..... 2-1
  - Safety Alert Symbol ..... 2-1
  - Signal Words ..... 2-1
- General ..... 2-1
- Accidents ..... 2-1
- Operator's Information ..... 2-2
- Operator's Qualifications ..... 2-2
- Operational Aids ..... 2-3
  - Load Moment Indication (LMI) Systems (If Equipped) ..... 2-3
  - Anti-Two-Blocking Device ..... 2-3
  - Work Area Definition System (WADS) (If Equipped) ..... 2-4
- Crane Stability/Structural Strength ..... 2-4
  - Load Charts ..... 2-5
  - Work Site ..... 2-5
  - Wind Forces ..... 2-5
  - Lifting Operations ..... 2-6
  - Counterweight ..... 2-7
  - Outrigger Lift Off ..... 2-7
  - Multiple Crane Lifts ..... 2-7
- Electrocution Hazard ..... 2-8
  - Set-Up and Operation ..... 2-9
  - Electrocution Hazard Devices ..... 2-9
  - Electrical Contact ..... 2-10
  - Special Operating Conditions and Equipment ..... 2-10
- Personnel Handling ..... 2-10
- Environmental Protection ..... 2-11
- Maintenance ..... 2-11
  - Service and Repairs ..... 2-12
  - Lubrication ..... 2-12
  - Tires ..... 2-13
  - Wire Rope ..... 2-13
  - Sheaves ..... 2-14
  - Batteries ..... 2-15
  - Engine ..... 2-15
- Transporting the Crane ..... 2-15
- Travel Operation ..... 2-15
- Work Practices ..... 2-17
  - Personal Considerations ..... 2-17
  - Crane Access ..... 2-17
  - Job Preparation ..... 2-17
  - Working ..... 2-17
  - Lifting ..... 2-18
  - Hand Signals ..... 2-19
- Boom Extension ..... 2-21

Parking and Securing .....	2-21
Shut-Down .....	2-21
Cold Weather Operation .....	2-21
Temperature Effects on Hydraulic Cylinders .....	2-22
Overload Inspection .....	2-23
Boom Inspection .....	2-24
Superstructure Inspection .....	2-26
Carrier Inspection .....	2-28

**SECTION 3**

**Section 3..... Controls and Operating Procedures**

Truck Cab Controls .....	3-1
Truck Cab Ignition Switch .....	3-1
Power Take Off .....	3-1
Park Brake .....	3-1
Engine Speed Governor .....	3-1
Neutral Start/Safety Switch .....	3-1
Outrigger Controls .....	3-1
Outrigger Control Box .....	3-1
Crane Level Indicators .....	3-1
Remote Engine Throttle .....	3-2
Outrigger Control Box .....	3-2
Crane Controls .....	3-3
Hydraulic Oil Temperature Warning Light .....	3-3
Crane Ignition Switch .....	3-3
Crane Function Power Switch .....	3-3
Swing Horn Switch .....	3-5
Swing Control Lever .....	3-5
Swing Brake Pedal .....	3-5
Swing Brake Switch .....	3-5
Adjustable Swing Speed Valve .....	3-5
Telescope Control Lever (Wireline Control) .....	3-5
Boom Telescope Pedal (Optional) .....	3-5
Hoist Control Lever .....	3-5
Burst of Speed (BOS) Switch .....	3-5
Hoist Rotation Indicator (Optional) .....	3-5
Boom Lift Control Lever .....	3-6
Boom Lift Control Pedal (Optional) .....	3-6
Foot Throttle .....	3-6
Hand Throttle .....	3-6
Crane Cab Outrigger Control Box (optional) .....	3-6
Radio Remotes Power Switch (Optional) .....	3-6
LMI Override Switch .....	3-6
Load Chart .....	3-6
Load Moment Indicator (LMI) .....	3-6
Crane Cab Climate Controls .....	3-6
Diesel Heater Controls .....	3-6
Heater Cold Weather Fuel Mixture .....	3-7
Air Conditioner Controls (Optional) .....	3-7
Operating Procedures .....	3-7
Equipment Familiarization .....	3-7
Crane Cab Access .....	3-7
Equipment Checks .....	3-7
Cold Weather Operation .....	3-8
Anti-two-block Check .....	3-8
LMI Check .....	3-8

Hoist System Operation . . . . . 3-9  
 Hoist Burst of Speed Operation . . . . . 3-9  
 Work Site Location. . . . . 3-9  
 Before Leaving the Truck Cab . . . . . 3-9  
 Before Making the Lift. . . . . 3-9  
 Load Chart. . . . . 3-9  
 Using the Load Chart . . . . . 3-9  
 Lifting the Load . . . . . 3-10  
 Shut Down and preparation Road Travel . . . . . 3-10  
 Unattended Crane. . . . . 3-11

**SECTION 4**

**Section 4 . . . . . Set-Up**  
 Outrigger Setup . . . . . 4-1  
 Site Selection . . . . . 4-1  
 Setting the Outriggers . . . . . 4-1  
 Jib Safety Information . . . . . 4-2  
 Side Folding-swing Around Jib Operation . . . . . 4-3  
 Deployment Procedure . . . . . 4-3  
 Stowing Procedure . . . . . 4-5  
 Jib Removal . . . . . 4-6  
 Jib Maintenance . . . . . 4-6  
 Anti-two-block Weight Installation . . . . . 4-6  
 Multipart Line Reeving . . . . . 4-7  
 Using Multiple Part Lines . . . . . 4-7  
 Lifting A 30 Ton (60,000 Lbs) Load. . . . . 4-7  
 Hoist Cable Installation . . . . . 4-7  
 Wireline Reeving . . . . . 4-8  
 Wedge Sockets . . . . . 4-8  
 Terminator Wedge Installation . . . . . 4-8  
 Wedge Socket Installation . . . . . 4-10

**SECTION 5**

**Section 5 . . . . . Lubrication Procedure and Charts**  
 General . . . . . 5-1  
 Arctic Conditions Below -18°C (0°F). . . . . 5-1  
 Chassis Grease . . . . . 5-1  
 Extreme Pressure Multipurpose Gear Lubricant. . . . . 5-1  
 Open Gear Lubricant . . . . . 5-1  
 Anti-wear Additives . . . . . 5-1  
 Surface Protection for Cylinder Rods . . . . . 5-1  
 Hydraulic Oil Inspection . . . . . 5-2  
 Standard Hydraulic Oil . . . . . 5-2  
 Intermediate Hydraulic Oil. . . . . 5-2  
 Wide Range Intermediate Hydraulic Oil. . . . . 5-2  
 Arctic Hydraulic Oil. . . . . 5-2  
 Lubrication Points . . . . . 5-3  
 Internal Cable Sheave Lubrication . . . . . 5-5  
 Inner Boom Wear Pad Lubrication . . . . . 5-5  
 Side and Bottom Boom Wear Pad Lubrication . . . . . 5-5  
 Winch Brake Oil . . . . . 5-6  
 Winch Gearbox Oil . . . . . 5-6  
 1300A Hydraulic Oil Reservoir Level . . . . . 5-7  
 Wire Rope Lubrication . . . . . 5-7

**SECTION 6**

**Section 6 . . . . . Maintenance Checklist**

- Crane Inspection And Maintenance . . . . . 6-1
  - Inspection . . . . . 6-1
  - Special Boom Inspection . . . . . 6-2
  - Stability . . . . . 6-2
- Hoist Cable Inspection And Maintenance . . . . . 6-2
  - Inspection . . . . . 6-2
  - Wire Rope Replacement . . . . . 6-3
  - Care of Wire Rope . . . . . 6-3
- Replacement Cable . . . . . 6-3
- Crane Adjustments and Repairs . . . . . 6-4
  - Boom Extension Cable . . . . . 6-4
  - Jib Jack Service and Maintenance . . . . . 6-4
  - Lubrication . . . . . 6-4
  - Rust Prevention . . . . . 6-4
- Hydraulic System . . . . . 6-4
  - Oil Cooler . . . . . 6-4
  - Hydraulic System Trouble Diagnosis . . . . . 6-4
  - Tire Load And Inflation Table . . . . . 6-7
  - Specifications . . . . . 6-11
  - Hydraulic System . . . . . 6-11
  - Hoist System . . . . . 6-11
  - Crane Operating Speeds . . . . . 6-11

For Reference Only

## SECTION 1 INTRODUCTION

### GENERAL

This manual has been compiled to assist you in properly operating and maintaining your Model 1300A Series National Crane (Figure 1-1).

Before placing the crane in service, all operators and persons working around the crane must thoroughly read and understand the contents of this manual pertaining to **Safety, Operation and Maintenance**. Before moving a vehicle equipped with the crane, information relating to transporting the vehicle must be read and observed.

This manual must be retained with the machine for use by subsequent operating personnel.

Information in this manual does not replace federal, state or local regulations, safety codes or insurance requirements.

The 1300A has been designed for maximum performance with minimum maintenance. With proper care, years of trouble-free service can be expected.

Constant improvement and engineering progress makes it necessary that we reserve the right to make specification and equipment changes without notice.

National Crane and our Dealer Network want to ensure your satisfaction with our products and customer support. Your local dealer is the best equipped and most knowledgeable to assist you for parts, service, and warranty issues. They have the facilities, parts, factory trained personnel, and the information to assist you in a timely manner. We request that

you first contact them for assistance. If you feel you need factory assistance, please ask the dealer's service management to coordinate the contact on your behalf.

### Supplemental Information

Supplemental Information regarding Safety & Operation, Specifications, Service & Maintenance, Installation, and parts for options such as remote controls, augers, varying control configurations, baskets, grapples, etc. are included in separate manuals.

Whenever a question arises regarding your National product or this publication, please consult your National Dealer for the latest information. Your National Dealer is equipped with the proper tools, necessary parts, and trained personnel to properly maintain and service your crane.

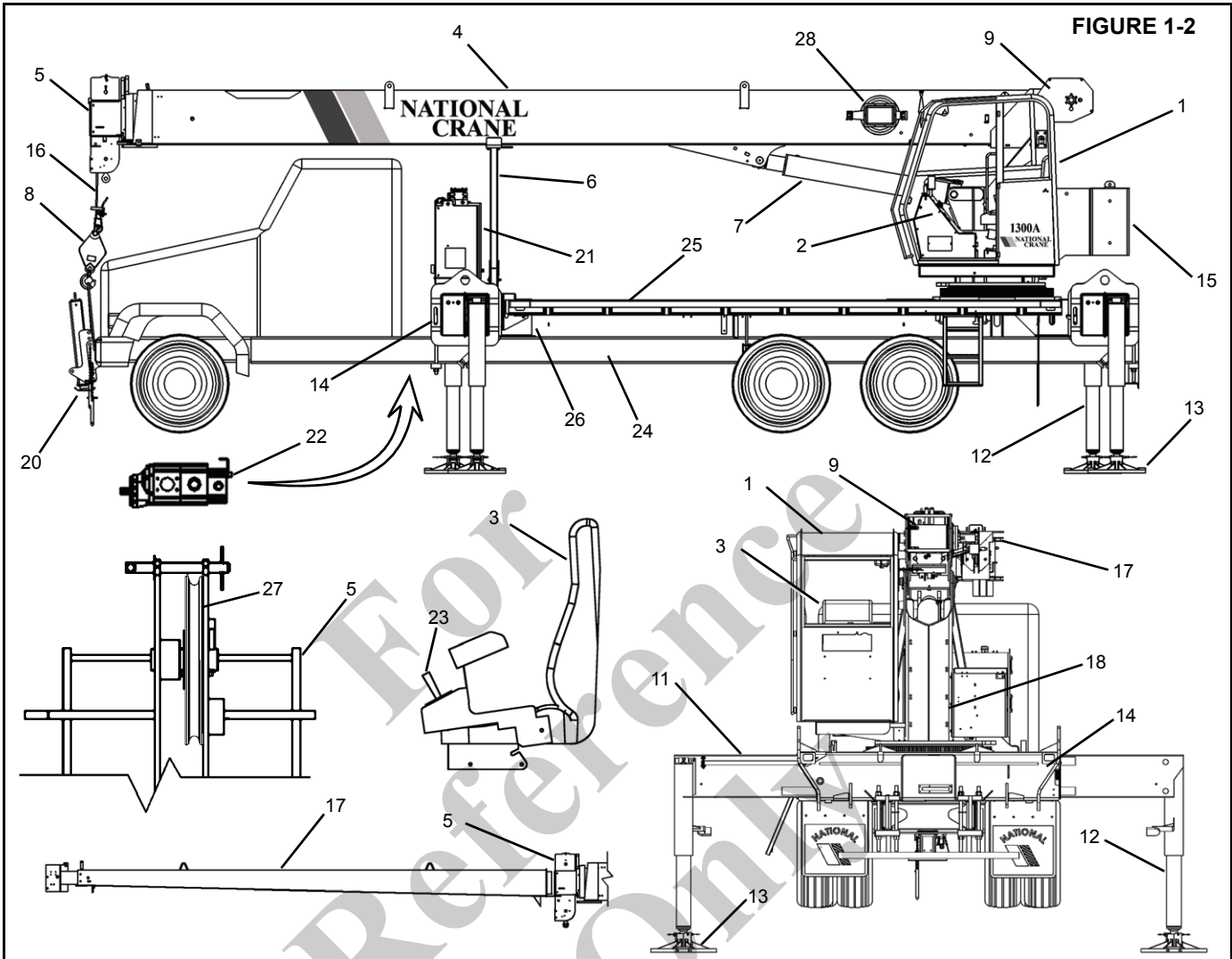
### Safety Information

A Safety Compact Disc (CD) which includes sections on Operation, Safety and Maintenance for National Crane operators and owners is supplied when the crane is purchased new. Additional copies are available from your local distributor.

### Basic Nomenclature

The nomenclature used to describe parts of a National Crane are described in Figure 1-2. This nomenclature is used throughout this manual.





Item	Component
1	Crane Cab
2	Crane Cab console
3	Operator's Seat
4	Boom
5	Boom Nose
6	Boom Rest
7	Lift Cylinder
8	Downhaul Weight, Hook Block
9	Hoist
11	Outrigger Beam
12	Outrigger Stabilizer
13	Outrigger Float
14	Outrigger Box

Item	Component
15	Counterweight
16	Winch Cable, Wire Rope
17	Jib
18	Turret
20	Stabilizer Front Outrigger (SFO), Front Outrigger Jack
21	Hydraulic Tank
22	Hydraulic Pump
23	Hydraulic Remote Controller (HRC)
24	Truck Frame
25	Truck Bed
26	Torsion Box Frame, T-Box Frame
27	Sheave
28	Load Moment Indicator (LMI) Reel

**New Owner**

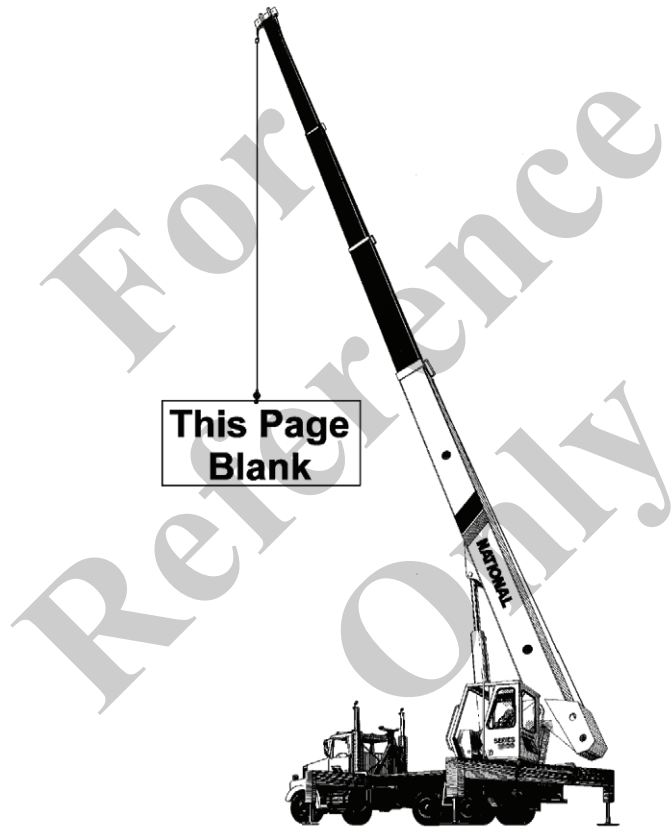
If you are the new owner of a Manitowoc crane, please register it with Manitowoc Crane Care so we have the ability to contact you if the need arises. Go to:

[www.manitowoccranes.com/MCG\\_CARE/Includes/EN/changeOfOwnership.cfm](http://www.manitowoccranes.com/MCG_CARE/Includes/EN/changeOfOwnership.cfm) and complete the form.

**NOTICE TO OWNER/USER**

IMMEDIATELY report all accidents, malfunctions, and equipment damages to your local National Crane distributor. Following any accident or damage to equipment, the local National Crane distributor must be immediately advised of the incident and consulted on necessary inspections and repairs. Should the distributor not be immediately available, contact should be made directly with Manitowoc Crane Care. The crane must not be returned to service until it is thoroughly inspected for any evidence of damage. All damaged parts must be repaired or replaced as authorized by your local National Crane distributor or Manitowoc Crane Care.

Reference Only





## SECTION 2

### SAFETY PRECAUTIONS

#### SAFETY MESSAGES

##### General

The importance of safe operation and maintenance cannot be overemphasized. Carelessness or neglect on the part of operators, job supervisors and planners, rigging personnel, and job site workers can result in their death or injury and costly damage to the crane and property.

To alert personnel to hazardous operating practices and maintenance procedures, safety messages are used throughout the manual. Each safety message contains a safety alert symbol and a signal word to identify the hazard's degree of seriousness.

##### Safety Alert Symbol



This safety alert symbol means **ATTENTION!** Become alert - **your safety is involved!** Obey all safety messages that follow this symbol to avoid possible death or injury.

##### Signal Words



#### DANGER

Identifies **hazards** that will result in death or serious injury if the message is ignored.



#### WARNING

Identifies **hazards** that may result in death or serious injury if the message is ignored.



#### CAUTION

Identifies **hazards** that could result in minor or moderate injury if the message is ignored.

#### CAUTION

Without the safety alert symbol, identifies **hazards** that could result in property damage if the message is ignored.

**NOTE:** Emphasizes operation or maintenance procedures.

#### GENERAL

It is impossible to compile a list of safety precautions covering all situations. However, there are basic principles that **must** be followed during your daily routine. Safety is **your primary responsibility**, since any piece of equipment is only as safe **as the person at the controls**.

Read and follow the information located in *Model Specific Information* near the end of this section.

This information has been provided to assist in promoting a safe working atmosphere for yourself and those around you. It is not meant to cover every conceivable circumstance which could arise. It is intended to present basic safety precautions that should be followed in daily operation.

Because you are the only part of the crane that can think and reason, your responsibility is not lessened by the addition of operational aids or warning devices. Indeed, you must guard against acquiring a false sense of security when using them. They are there to assist, not direct the operation. Operational aids or warning devices can be mechanical, electrical, electronic, or a combination thereof. They are subject to failure or misuse and should not be relied upon in place of good operating practices.

You are the only one who can be relied upon to assure the safety of yourself and those around you. Be a **professional** and follow the **rules of safety**.

**Remember**, failure to follow just one safety precaution could cause an accident that results in death or serious injury to personnel or damage to equipment. You are responsible for the safety of yourself and those around you.

#### ACCIDENTS

Following any accident or damage to equipment, the Manitowoc dealer must be immediately advised of the incident and consulted on necessary inspections and repairs. Should the dealer not be immediately available, contact should be made directly with Manitowoc Product Safety at the address below. The crane must not be returned to service until it is thoroughly inspected for any evidence of damage. All damaged parts must be repaired or replaced as authorized by your Manitowoc dealer and/or Manitowoc Crane Care.

If this crane becomes involved in a property damage and/or personal injury accident, **immediately** contact your Manitowoc dealer. If the dealer is unknown and/or cannot be reached, contact Product Safety at:

The Manitowoc Company, Inc.  
1565 East Buchanan Trail  
Shady Grove, PA 17256-0021

Phone: 888-777-3378 (888-PSR.DEPT)  
Fax: 717-593-5152  
E-mail: product.safety@manitowoc.com

## OPERATOR'S INFORMATION

You must **read** and **understand** this *Operator's Manual* and the *Load Chart* before operating your new crane. You must also **view** and **understand** the supplied safety video. This manual and *Load Chart* must be readily available to the operator at all times and must remain in the cab (if equipped) or operator's station while the crane is in use.

The *Operator's Manual* supplied with and considered part of your crane must be read and completely understood by each person responsible for assembly, disassembly, operation and maintenance of the crane.

No personnel shall be allowed to climb onto the crane or enter the crane cab or operator's station unless performance of their duties require them to do so, and then only with knowledge of the operator or other qualified person.

Allow **No One** other than the operator to be on the crane while the crane is operating or moving, unless they are seated in a two-man cab.



**Do not remove** the *Load Chart*, this *Operator's Manual*, or any decal from this crane.

Inspect the crane every day (before the start of each shift). Ensure that routine maintenance and lubrication are being dutifully performed. Don't operate a damaged or poorly maintained crane. You risk lives when operating faulty machinery - including your own.

If adjustments or repairs are necessary, the operator shall notify the next operator.

## OPERATOR'S QUALIFICATIONS

**Qualified person** is defined as one who by reason of knowledge, training and experience is thoroughly familiar with crane operations and the hazards involved. Such a person shall meet the operator qualifications specified in Occupational Safety and Health Administration (OSHA) Regulations (United States Federal Law), in ASME B30.5 American National Standard, or in any other applicable federal, state or local laws.

Ensure that all personnel working around the crane are thoroughly familiar with safe operating practices. You must be thoroughly familiar with the location and content of all placards and decals on the crane. Decals provide important instructions and warnings and must be read prior to any operational or maintenance function.

You must be familiar with the regulations and standards governing cranes and their operation. Work practice requirements may vary slightly between government regulations, industry standards, and employer policies so a thorough knowledge of all such relevant work rules is necessary.



An untrained operator subjects himself and others to death or serious injury.

**You must not operate this machine unless:**

- You have been trained in the safe operation of this machine.
- You read, understand, and follow the safety and operating recommendations contained in the manufacturer's manuals, your employer's work rules, and applicable government regulations.
- You are sure the machine has been inspected and maintained in accordance with the manufacturer's manuals and is operating properly.
- You are sure that all safety signs, guards, and other safety features are in place and in proper condition.

Do not attempt to operate the crane unless you are trained and thoroughly familiar with all operational functions.

Controls and design may vary from crane to crane; therefore, it is important that you have specific training on the particular crane you will be operating.

Training is ESSENTIAL for proper crane operation. Never jeopardize your own well-being or that of others by attempting to operate a crane on which you have not been trained.

You must be mentally and physically fit to operate a crane. Never attempt to operate a crane while under the influence of medication, narcotics, or alcohol. Any type of drug could impair physical, visual and mental reactions, and capabilities.

As operator of this crane, you are granted the authority to stop and refuse to lift loads until safety is assured.

## OPERATIONAL AIDS

Manitowoc remains committed to providing reliable products that enable users and operators to safely lift and position loads. Manitowoc has been an industry leader in the incorporation of operational aids into the design of its cranes. Federal law requires that cranes be properly maintained and kept in good working condition. The manuals that Manitowoc provides that are specific for each crane and the manufacturer's manuals for the operational aids shall be followed. If an operational aid should fail to work properly, the crane user or owner must assure that repair or recalibration is accomplished as soon as is reasonably possible. If immediate repair or recalibration of an operational aid is not possible and there are exceptional circumstances which justify continued short-term use of the crane when operational aids are inoperative or malfunctioning, the following requirements shall apply for continued use or shutdown of the crane:

- Steps shall be taken to schedule repairs and recalibration immediately. The operational aids shall be put back into service as soon as replacement parts, if required, are available and the repairs and recalibration can be carried out. Every reasonable effort must be made to expedite repairs and recalibration.
- When a *Load Indicator*, *Rated Capacity Indicator*, or *Rated Capacity Limiter* is inoperative or malfunctioning, the designated person responsible for supervising the lifting operations shall establish procedures for determining load weights and shall ascertain that the weight of the load does not exceed the crane ratings at the radius where the load is to be handled.
- When a *Boom Angle* or *Radius Indicator* is inoperative or malfunctioning, the radius or boom angle shall be determined by measurement.
- When an *Anti-Block Device*, *Two-Blocking Damage Prevention* or *Two-Block Warning Device* is inoperative or malfunctioning, the designated person responsible for

supervising the lifting operations shall establish procedures, such as assigning an additional signal person to furnish equivalent protection. This does not apply when lifting personnel in load-line supported personnel platforms. Personnel shall not be lifted when anti-two-block devices are not functioning properly.

- When a *Boom Length Indicator* is inoperative or malfunctioning, the designated person responsible for supervising the lifting operations shall establish the boom lengths at which the lift will be made by actual measurements or marking on the boom.
- When a *Level Indicator* is inoperative or malfunctioning, other means shall be used to level the crane.

## Load Moment Indication (LMI) Systems (If Equipped)

Your crane may be equipped with an LMI system which is intended to aid the operator. Test daily for proper operation. Never interfere with the proper functioning of operational aids or warning devices.

Under **no condition** should it be relied upon to replace the use of *Load Charts* and operating instructions. Sole reliance upon these electronic aids in place of good operating practices can cause an accident.

Know the weight of all loads and always check the capacity of the crane as shown on the *Load Chart* before making any lifts.

NEVER exceed the rated capacity shown on the *Load Chart*. Always check the *Load Chart* to ensure the load to be lifted at the desired radius is within the rated capacity of the crane.

For detailed information concerning the operation and maintenance of the load moment indicating system installed on the crane, see the manufacturer's manual supplied with the crane.

## Anti-Two-Blocking Device

This crane should have a functional Anti-Two-Block and Control Lock-Out System. Test daily for proper operation.

Two-blocking occurs when the load block (hook block, headache ball, rigging, etc.) comes into physical contact with the boom (boom nose, sheaves, boom extension, etc.). Two-blocking can cause hoist lines (wire rope), rigging, reeving, and other components to become highly stressed and overloaded in which case the wire rope may fail allowing the load, block, etc. to free fall.

Two-blocking is more likely to occur when both the main and auxiliary hoist lines are reeved over the main boom nose and boom extension nose respectively. An operator, concentrating on the specific line being used, may telescope or lower the boom allowing the other hoist line attachment to contact the boom or boom extension nose, thus causing

damage to the sheaves, or causing the wire rope to fail, dropping the lifting device to the ground and possibly injuring personnel working below.

Caution must be used when lowering the boom, extending the boom or hoisting up. Let out load line(s) simultaneously to prevent two-blocking the boom tip(s) and the hook block, etc. The closer the load is carried to the boom nose the more important it becomes to simultaneously let out wire rope as the boom is lowered. Keep load handling devices a minimum of 42 in (107 cm) below the boom nose at all times.

Two-blocking can be prevented. Operator awareness of the hazards of two-blocking is the most important factor in preventing this condition. An Anti-Two-Block System is intended to assist the operator in preventing dangerous two-

block conditions. It is not a replacement for operator awareness and competence.

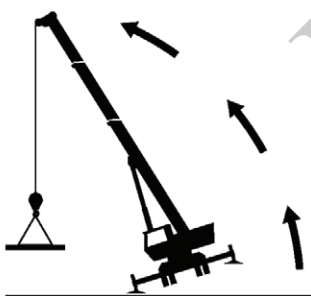

Never interfere with the proper functioning of operational aids or warning devices.

### Work Area Definition System (WADS) (If Equipped)

If your crane is equipped with a WADS, you must read and understand the manufacturer's *Operator's Manual* before operating the system. Become familiar with all proper operating procedures and with the identification of symbol usage.

The work area definition system is intended as an aid to the operator. It is not a substitute for safe crane operating practices, experience and good operator judgements.

**! DANGER**

 <p><b>TIPPING HAZARD</b></p> <p>To avoid death or serious injury, ensure load and crane's configuration are within capacity as shown on crane's load rating chart and notes.</p> <p>This crane should have a functional load moment indicator and control lock-out system. Test daily for proper operation.</p> <p><b>POSITION CRANE ON FIRM SURFACE. EXTEND OUTRIGGERS AND LEVEL CRANE.</b></p>	<p><b>TO AVOID DEATH OR SERIOUS INJURY:</b></p> <p><b>NEVER</b> handle personnel with this machine unless the requirements of the applicable national, state and local regulations and safety codes are met.</p> <p><b>NEVER</b> use this crane for bungee jumping or any form of amusement or sport.</p> <p><b>NEVER</b> permit anyone to ride loads, hooks, slings or other rigging for any reason.</p> <p><b>NEVER</b> get on or off a moving crane.</p> <p><b>NEVER</b> allow anyone other than the operator to be on this crane while it is operating or traveling.</p>
 <p><b>TWO-BLOCKING HAZARD</b></p> <p>To avoid death or serious injury, keep load handling devices away from boom/jib tip when extending or lowering the boom and when hoisting up.</p> <p>This crane should have a functional anti-two-block and control lock-out system. Test daily for proper operation.</p> <p><b>DO NOT PASS LOADS OR BOOM OVER GROUND PERSONNEL.</b></p>	<p><b>ELECTRONIC EQUIPMENT</b> on this crane is intended as an aid to the operator. Under no condition should it be relied upon to replace the use of capacity charts and operating instructions. Sole reliance upon these electronic aids in place of good operating practices can cause an accident.</p> <p>Do not remove any decal, the load chart, or the Operator's and Safety Handbook from this crane.</p>

7340
**FOLLOW INSTRUCTIONS IN OPERATOR'S AND SAFETY HANDBOOK.**
7376100175

7340

## CRANE STABILITY/STRUCTURAL STRENGTH

To avoid death or serious injury, ensure that the crane is on a firm surface with load and crane's configuration within capacity as shown on the crane's *Load Chart* and notes.

Ensure all pins and floats are properly installed and outrigger beams are properly extended before lifting on outriggers. On

models equipped with outriggers that can be pinned at the mid-extend position (vertical strip, if applicable), the outriggers must also be pinned when operating from the mid-extend position.

Use adequate cribbing under outrigger floats to distribute weight over a greater area. Check frequently for settling.

(For cranes with center front stabilizers)

**⚠ DANGER**

**TIPPING HAZARD** 7376009534

SERIOUS INJURY OR DEATH COULD RESULT FROM IMPROPER CRANE SET-UP ON OUTRIGGERS.

CENTER FRONT STABILIZER MUST BE PROPERLY EXTENDED BEFORE OPERATING CRANE ON OUTRIGGERS.

BEFORE EXTENDING CENTER FRONT STABILIZER:

1. BOOM MUST BE RETRACTED AND IN BOOM REST,
2. MAIN OUTRIGGERS MUST BE PROPERLY EXTENDED AND CRANE LEVELED.

CENTER FRONT STABILIZER WILL RETRACT WHEN ANY MAIN OUTRIGGER STABILIZER IS RETRACTED.

IF ANY MAIN OUTRIGGER STABILIZER IS EXTENDED OR RETRACTED AFTER INITIAL SET-UP, CENTER FRONT STABILIZER MUST BE RESET AFTER REPEATING STEPS 1 AND 2 ABOVE.

REFER TO OPERATOR'S AND SAFETY HANDBOOK.

68321

Carefully follow the procedures in this Operator's Manual when extending or retracting the outriggers. Death or serious injury could result from improper crane setup on outriggers.

The operator must select the proper *Load Chart* and Load Moment Indicating (LMI) System program for the outrigger position selected.

Before swinging the superstructure over the side when the outriggers are retracted, check the *Load Chart* for backwards stability.

Long cantilever booms can create a tipping condition when in an extended and lowered position. Retract the boom proportionally with reference to the capacity of the applicable *Load Chart*.

Check crane stability before lifting loads. Ensure the outriggers (or tires if lifting on rubber) are firmly positioned on solid surfaces. Ensure the crane is level, brakes are set, and the load is properly rigged and attached to the hook. Check the *Load Chart* against the weight of the load. Lift the load slightly off the ground and recheck the stability before proceeding with the lift. Determine the weight of the load before you attempt the lift.

Unless lifting within On Rubber capacities, outrigger beams and jack cylinders (plus center front stabilizer, if equipped) must be properly extended and set to provide precise leveling of the crane. Tires must be clear of the ground before lifting on outriggers.

**⚠ DANGER**

**DEATH OR SERIOUS INJURY  
COULD RESULT FROM IMPROPER  
CRANE SET-UP ON OUTRIGGERS**

**FAILURE TO FOLLOW THESE INSTRUCTIONS  
CAN RESULT IN THE CRANE OVERTURNING**

- BE SURE OUTRIGGERS ARE PROPERLY EXTENDED AND SET AND CRANE IS LEVEL FOR OPERATION ON OUTRIGGERS.
- ALL FOUR OUTRIGGER BEAMS MUST BE EQUALLY EXTENDED TO THE APPROPRIATE VERTICAL STRIPE BEFORE BEGINNING OPERATION.
- ALL FOUR OUTRIGGER BEAM LOCK PINS MUST BE ENGAGED BEFORE OPERATING FROM THE MID-EXTEND POSITION.
- OPERATOR MUST SELECT PROPER LOAD CHART AND LMI PROGRAM FOR THE OUTRIGGER POSITION SELECTED.

KEEP THE BOOM SHORT. Swinging loads with a long line can create an unstable condition and possible structural failure of the boom.

### Load Charts

*Load Charts* represent the absolute maximum allowable loads, which are based on either tipping or structural limitations of the crane under specific conditions. Knowing the precise load radius, boom length, and boom angle should be a part of your routine planning and operation. Actual loads, including necessary allowances, should be kept below the capacity shown on the applicable *Load Chart*.

*Load Chart* capacities are based on freely suspended loads.

You must use the appropriate *Load Chart* when determining the capability of the crane in the configuration required to perform the lift.

Maximum lifting capacity is available at the shortest radius, minimum boom length, and highest boom angle.

Do not remove the *Load Charts* from the crane.

### Work Site

Prior to any operation, you must inspect the **entire** work site, including ground conditions, where the crane will travel and operate. Be sure that the surfaces will support a load greater than the crane's weight and maximum capacity.

Be aware of all conditions that could adversely affect the stability of the crane.

### Wind Forces

Wind can have a significant affect on loads that may be lifted by a crane. Wind forces act differently on a crane depending

upon the direction from which the wind is blowing (e.g., wind on the rear of the boom can result in decreased forward stability, wind on the underside of the boom can result in decreased backward stability, wind on the side of the boom can result in structural damages, etc.). To assist you in determining prevailing wind conditions, refer to Table 2-1.

Wind forces can exert extreme dynamic loads. **Manitowoc recommends that a lift not be made if the wind can cause**

**a loss of control in handling the load.** Manitowoc recommends that, if the wind speed (velocity) is between 20 mph (32 km/h) to 30 mph (48 km/h), the load capacities shall be reduced to account for the size and shape of the load and the wind direction in relation to the machine for all boom and boom extension lengths. Further, operation of the crane in wind velocities over 30 mph (48 km/h) is not recommended.

Table 2-1

Wind Force		Wind Velocity mph (km/h)	Visible Indicator Effects of wind as observed on land
Beauford Scale	Designation		
Zero (0)	Calm	less than 1 (<2)	No wind; smoke rises vertically
1	Light Air	1-3 (2-5)	Wind direction seen by smoke but not by wind vanes
2	Light Breeze	4-7 (6-11)	Wind felt on face; leaves rustle; wind vane moves slightly
3	Gentle Breeze	8-12 (13-19)	Leaves/small twigs in constant motion; wind extends flag
4	Moderate Breeze	13-18 (21-29)	Raises dust & loose paper; moves small branches
Reduce crane load ratings and operating parameters at 20 mph (32 km/h)			
5	Fresh Breeze	19-24 (31-39)	Small trees in leaf begin to sway; on ponds, crested wavelets form
6	Strong Breeze	25-31 (40-50)	Large branches in motion; telegraph wires whistle; umbrellas used with difficulty
Cease all craning operations at 30 mph (48 km/h); lower & retract boom			
7	Moderate Gale	32-38 (52-61)	Whole trees in motion; walking against wind is inconvenient

## Lifting Operations

Before lifting, position the crane on a firm surface, properly extend and set the outriggers, and level the crane. Depending on the nature of the supporting surface, adequate cribbing may be required to obtain a larger bearing surface.

The crane is equipped with a bubble level that should be used to determine whether the crane is level. The load line can also be used to estimate the levelness of the crane by checking to be sure it is in-line with the center of the boom at all points on the swing circle.

If the boom extension, or auxiliary boom nose is to be used, ensure the electrical cable and the weight for the Anti-Two-Block Switch are properly installed and the LMI is programmed for the crane configuration. Refer to the LMI handbook supplied with the crane.

Verify the crane's capacity by checking the *Load Chart* against the weight of the load. Then, lift the load slightly at first to ensure stability before proceeding with the lift.

Be sure the load is properly rigged and attached. Always determine the weight of the load before you attempt to lift it

and remember that all rigging (slings, etc.) and lifting devices (hook block, boom extension, etc.) must be considered part of the load.

Measure the load radius before making a lift and stay within approved lifting areas based on the range diagrams and working area diagrams on the crane's *Load Chart*.

Always keep the load as near to the crane and as close to the ground as possible.

**Do not overload the crane** by exceeding the capacities shown on the appropriate *Load Chart*. Death or serious injury could result from the crane tipping over or failing structurally from overload.

The crane can tip over or fail structurally if:

- The load and crane's configuration is not within the capacity as shown on the applicable *Load Chart* and notes.
- The ground is soft and/or the surface conditions are poor.
- Outriggers are not properly extended and set. On models equipped with outriggers that can be pinned at

the mid-extend position, the outriggers must also be pinned when operating from the mid-extend position.

- Cribbing under the outrigger pads is inadequate.
- The crane is improperly operated.

Do not rely on the crane's tipping to determine your lifting capacity.

Be sure the hoist line is vertical before lifting. Do not subject the crane to side loading. A side load can tip the crane or cause it to fail structurally.

*Load Chart* capacities are based on freely suspended loads. Do not pull posts, pilings, or submerged articles. Be sure the load is not frozen or otherwise attached to the ground before lifting.

If you should encounter a tipping condition, immediately lower the load with the hoist line and retract or elevate the boom to decrease the load radius. Never lower or extend the boom; this will aggravate the condition.

Use tag lines whenever possible to help control the movement of the load.

When lifting loads, the crane will lean toward the boom and the load will swing out, increasing the load radius. Ensure the crane's capacity is not exceeded when this occurs.

Do not strike any obstruction with the boom. If the boom should accidentally contact an object, stop immediately. Inspect the boom. Remove the crane from service if the boom is damaged.

Never push or pull with the crane boom.

Avoid sudden starts and stops when moving the load. The inertia and an increased load radius could tip the crane over or cause it to fail structurally.

Use only one hoist at a time when lifting loads.

Always use enough parts-of-line to accommodate the load to be lifted. Lifting with too few parts-of-line can result in failure of the wire rope.

## Counterweight

On cranes equipped with removable counterweights, ensure the appropriate counterweight sections are properly installed for the lift being considered.

Do not add material to the counterweight to increase capacity. United States Federal law prohibits modification or additions which affect the capacity or safe operation of the equipment without the manufacturer's written approval. [29CFR 1926.1434]

## Outrigger Lift Off

Regarding "lifting" of an outrigger pad during craning activities, be advised that the rated loads for these cranes,

as indicated on the crane's *Load Chart*, do not exceed 85% of the tipping load on outriggers as determined by SAE J765 OCT80 "Cranes Stability Test Code." An outrigger pad may lift off the ground during operation of the crane within the capacity limits of the *Load Chart*, yet the crane will not have reached instability. The "balance point" for stability testing according to SAE and Manitowoc criteria is a condition of loading wherein the load moment acting to overturn the crane is equal to the maximum moment of the crane available to resist overturning. This balance point or point of instability for a crane does not depend on "lifting" of an outrigger but rather on comparison of the "opposing" load moments.

The occurrence of an outrigger lifting from the ground is often attributed to the natural flex in the crane's frame. This may happen when lifting a load in certain configurations within the capacity limits of the *Load Chart* and is not necessarily an indication of an unstable condition.

Provided the crane is properly set up, the crane is in good working condition, that all operator's aids are properly programmed, that the qualified crane operator adheres to the instructions found in the applicable *Load Chart*, *Operator's Manual* and decals on the crane, the crane should not be unstable.

## Multiple Crane Lifts

Multiple crane lifts are not recommended.

Any lift that requires more than one crane must be precisely planned and coordinated by a qualified engineer.

If it is necessary to perform a multi-crane lift, the operator shall be responsible for assuring that the following minimum safety precautions are taken:

- Secure the services of a qualified engineer to direct the operation.
- Use one qualified signal person.
- Coordinate lifting plans with the operators, engineer, and signal person prior to beginning the lift.
- Maintain communication between all parties throughout the entire operation. If possible, provide approved radio equipment for voice communication between all parties engaged in the lift.
- Use cranes and rigging of equal capabilities and use the same boom length.
- Use outriggers on cranes so equipped.
- Be certain cranes are of adequate lifting capacity.
- Calculate the amount of weight to be lifted by each crane and attach slings at the correct points for proper weight distribution.

- Ensure the load lines are directly over the attach points to avoid side loading and transfer of loading from one crane to the other.
- **Do not travel.** Lift only from a stationary position.

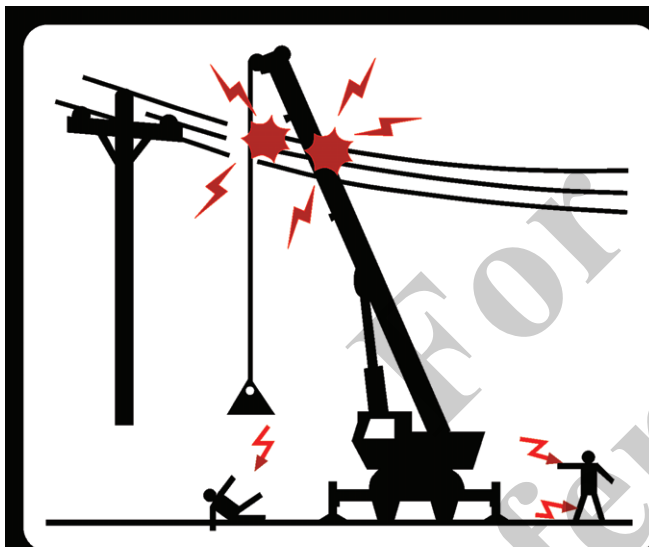
## ELECTROCUTION HAZARD

To avoid death or serious injury, keep all parts of the crane, rigging and load at least 20 feet (6 meters) away from any energized power line. You **must** follow the OSHA requirements set forth in 29CFR 1926.1407 through 1926.1411.

This crane is not designed or equipped for use within 10 feet (3 meters) of energized power lines [Refer to 29CFR1926.1410 Table A]. If operation within 10 feet (3 meters) of any power lines cannot be avoided, the power utility **must** be notified and the power lines **must** be de-energized and grounded **before** performing any work.

If contact is ever accidentally made with a power line and any part of this crane, its rigging or load, **never** touch the crane or even approach or come near the crane.

Electrocution **can occur** even without direct contact with the crane.



**THIS CRANE IS NOT INSULATED.**

7937

**! DANGER**

### ELECTROCUTION HAZARD TO AVOID DEATH OR SERIOUS INJURY

Keep **ALL** parts of the crane, rigging and load at least 20 feet (6 meters) away from any energized power line. You **MUST** follow the OSHA requirements set forth in 29CFR 1926.1407 through 1926.1411.

This crane is not designed or equipped for use within 10 feet (3 meters) of energized power lines [Refer to 29CFR1926.1410 Table A]. If operation within 10 feet (3 meters) of any power lines cannot be avoided, the power utility **MUST** be notified and the power lines **MUST** be de-energized and grounded **BEFORE** performing any work.

If contact is ever accidentally made with a power line and any part of this crane, its rigging or load, **NEVER** touch the crane or even approach or come near the crane.

Electrocution **CAN OCCUR** even without direct contact with the crane.

80037260

Crane operation is dangerous when close to an energized electrical power source. Exercise extreme caution and prudent judgement. Operate slowly and cautiously when in the vicinity of power lines.

Before operating this crane in the vicinity of electrical power lines or equipment, notify the power utility company. Obtain positive and absolute assurance that the power has been turned off.

This crane is **not insulated**. Always consider all parts of the load and the crane, including the wire rope, hoist cable, pendant cables, and tag lines, as conductors. You, the operator, are responsible for alerting all personnel of dangers associated with electrical power lines and equipment. Do not allow unnecessary personnel in the vicinity of the crane while operating. Permit no one to lean against or touch the crane. Permit no one, including riggers and load handlers, to hold the load, load lines, tag lines, or rigging gear.

If the load, wire rope, boom, or any portion of the crane contacts or comes too close to an electrical power source, everyone in, on, and around the crane can be seriously injured or killed.

Most overhead power lines **are not** insulated. Treat all overhead power lines as being energized unless you have reliable information to the contrary from the utility company or owner.

The rules in this *Operator's Manual* must be followed at all times, even if the electrical power lines or equipment have been de-energized.

The safest way to avoid electrocution is to stay away from electrical power lines and electrical power sources.

It is not always necessary to contact a power line or power source to become electrocuted. Electricity, depending on magnitude, can arc or jump to any part of the load, load line, or crane boom if it comes too close to an electrical power source. Low voltages can also be dangerous.



Thoroughly read, understand, and abide by all applicable federal, state, and local regulations.

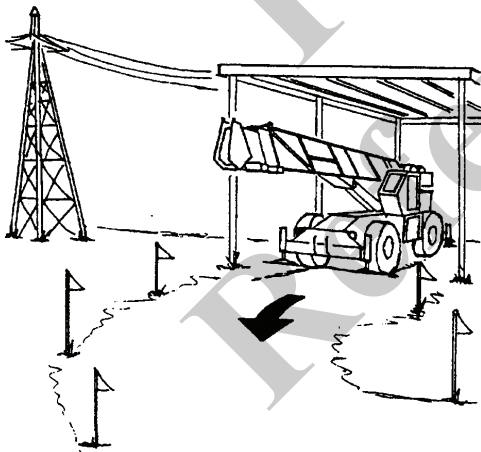
## Set-Up and Operation

During crane use, assume that every line is energized (“hot” or “live”) and take the necessary precautions.

Set up the crane in a position such that the load, boom, or any part of the crane and its attachments cannot be moved to within 20 ft (6 m) of electrical power lines or equipment. This includes the crane boom (fully extended to maximum height, radius, and length) and all attachments (boom extensions, rigging, loads, etc.). Overhead lines tend to blow in the wind so allow for lines’ movement when determining safe operating distance.

A suitable barricade should be erected to physically restrain the crane and all attachments (including the load) from entering into an unsafe distance from electrical power lines or equipment.

Plan ahead and always plan a safe route before traveling under power lines. Rider poles should be erected on each side of a crossing to assure sufficient clearance is maintained.



United States OSHA regulations require a flagman when operating in close proximity to energized power lines.

Appoint a reliable and qualified signal person, equipped with a loud signal whistle or horn and voice communication equipment, to warn the operator when any part of the crane or load moves near a power source. This person should have no other duties while the crane is working.

Tag lines should always be made of non-conductive materials. Any tag line that is wet or dirty can conduct electricity.

**Do not** store materials under power lines or close to electrical power sources.

## Electrocution Hazard Devices

The use of insulated links, insulated boom cages/guards, proximity warning devices, or mechanical limit stops does not assure that electrical contact will not occur. Even if codes or regulations require the use of such devices, failure to follow the rules listed here may result in serious injury or death. You should be aware that such devices have limitations and you should follow the rules and precautions outlined in this manual at all times even if the crane is equipped with these devices.

Insulating links installed into the load line afford limited protection from electrocution hazards. Links are limited in their lifting abilities, insulating properties, and other properties that affect their performance. Moisture, dust, dirt, oils, and other contaminants can cause a link to conduct electricity. Due to their capacity ratings, some links are not effective for large cranes and/or high voltages/currents.

The only protection that may be afforded by an insulated link is below the link (electrically downstream), provided the link has been kept clean, free of contamination, has not been scratched or damaged, and is periodically tested (just before use) for its dielectric integrity.

Boom cages and boom guards afford limited protection from electrocution hazards. They are designed to cover only the boom nose and a small portion of the boom. Performance of boom cages and boom guards is limited by their physical size, insulating characteristics, and operating environment (e.g. dust, dirt, moisture, etc.). The insulating characteristics of these devices can be compromised if not kept clean, free of contamination, and undamaged.

Proximity sensing and warning devices are available in different types. Some use boom nose (localized) sensors and others use full boom length sensors. No warning may be given for components, cables, loads, and other attachments located outside of the sensing area. Much reliance is placed upon you, the operator, in selecting and properly setting the sensitivity of these devices.

Never rely solely on a device to protect you and your fellow workers from danger.

Some variables you must know and understand are:

- Proximity devices are advertised to detect the existence of electricity and not its quantity or magnitude.
- Some proximity devices may detect only alternating current (AC) and not direct current (DC).
- Some proximity devices detect radio frequency (RF) energy and others do not.
- Most proximity devices simply provide a signal (audible, visual, or both) for the operator; this signal must not be ignored.

- Sometimes the sensing portion of the proximity devices becomes confused by complex or differing arrays of power lines and power sources.

**Do not** depend on grounding. Grounding of a crane affords little or no protection from electrical hazards. The effectiveness of grounding is limited by the size of the conductor (wire) used, the condition of the ground, the magnitude of the voltage and current present, and numerous other factors.

### Electrical Contact

If the crane should come in contact with an energized power source, you must:

1. Stay in the crane cab. **Don't panic.**
2. Immediately warn personnel in the vicinity to stay away.
3. Attempt to move the crane away from the contacted power source using the crane's controls which are likely to remain functional.
4. Stay in the crane until the power company has been contacted and the power source has been de-energized. **No one** must attempt to come close to the crane or load until the power has been turned off.

Only as a last resort should an operator attempt to leave the crane upon contacting a power source. If it is absolutely necessary to leave the operator's station, **jump completely clear of the crane. Do not step off.** Hop away with both feet together. **Do not** walk or run.

Following any contact with an energized electrical source, the Manitowoc dealer must be immediately advised of the incident and consulted on necessary inspections and repairs. Thoroughly inspect the wire rope and all points of contact on the crane. Should the dealer not be immediately available, contact Manitowoc Crane Care. The crane must not be returned to service until it is thoroughly inspected for any evidence of damage and all damaged parts are repaired or replaced as authorized by your Manitowoc dealer or Manitowoc Crane Care.

### Special Operating Conditions and Equipment

Never operate the crane during an electrical thunderstorm.

When operating near transmitter/communication towers where an electrical charge can be induced into the crane or load:

- The transmitter shall be deenergized OR,
- Tests shall be made to determine if an electrical charge will be induced into the crane or load.
- The crane must be provided an electrical ground.
- If taglines are used, they must be non-conductive.

- Every precaution must be taken to dissipate induced voltages. Consult a qualified RF (radio frequency) Consultant. Also refer to local, state, and federal codes and regulations.

When operating cranes equipped with electromagnets, you must take additional precautions. Permit no one to touch the magnet or load. Alert personnel by sounding a warning signal when moving a load. Do not allow the cover of the electromagnet power supply to be open during operation or at any time the electrical system is activated. Shut down the crane completely and open the magnet controls switch prior to connecting or disconnecting magnet leads. Use only a non-conductive device when positioning a load. Lower the magnet to the stowing area and shut off power before leaving the operator's cab (if equipped) or operator's station.

### PERSONNEL HANDLING

The American Society of Mechanical Engineers issued a new American National Standard entitled, *Personnel Lifting Systems, ASME B30.23-2005*. This standard provides, "lifting and lowering of personnel using ASME B30 Standard hoisting equipment shall be undertaken only in circumstances when it is not possible to accomplish the task by less hazardous means. Unless all of the applicable requirements of this volume are met, the lifting or lowering of personnel using ASME B30 Standard equipment is prohibited." This new standard is consistent with the U.S. Department of Labor, Occupational Safety and Health Administration (OSHA) regulations for Construction that state, in 29CFR1926.1431: "General requirements. The use of a crane or derrick to hoist employees on a personnel platform is prohibited, except when the erection, use, and dismantling of conventional means of reaching the worksite, such as a personnel hoist, ladder, stairway, aerial lift, elevating work platform or scaffold, would be more hazardous or is not possible because of structural design or worksite conditions." Additional requirements for crane operations are stated in *ASME B30.5, Mobile And Locomotive Cranes*, and in *OSHA regulations 29CFR1910.180 for General Industry and 29CFR1926.1431 for Construction*.

Use of a Manitowoc crane to handle personnel is acceptable provided:

- The requirements of the applicable national, state and local regulations and safety codes are met.
- A determination has been made that use of a crane to handle personnel is the least hazardous means to perform the work.
- The crane operator shall be qualified to operate the specific type of hoisting equipment used in the personnel lift.
- The crane operator must remain at the crane controls at all times when personnel are off the ground.

- The crane operator and occupants have been instructed in the recognized hazards of personnel platform lifts.
- The crane is in proper working order.
- The crane must be equipped with a boom angle indicator that is visible to the crane operator.
- The crane's *Load Chart* is affixed at the operator's station and readily accessible to the operator. The total weight of the loaded personnel platform and related rigging shall not exceed 50 percent of the rated capacity for the radius and configuration of the crane.
- The crane is level within one percent of level grade and located on a firm footing. Cranes with outriggers shall have them all deployed following manufacturer's specifications.
- The crane's *Operator's Manual* and other operating manuals are at the operator's station and readily accessible to the operator.
- The platform meets the requirements as prescribed by applicable standards and regulations.
- For wire rope suspended platforms:
  - The crane is equipped with a hook that can be closed and locked, eliminating the throat opening.
  - The crane is equipped with a functional Anti-Two-Block Device.
  - The platform is properly attached and secured to the load hook.
- For boom mounted platforms:
  - Use only Manitowoc approved personnel platforms attached to the boom.
  - The platform is properly attached and secure.

To avoid death or serious injury:

- NEVER use this crane for bungee jumping or any form of amusement or sport.
- NEVER handle personnel on the loadline unless the requirements of applicable national, state and local regulations and safety codes are met.
- NEVER permit anyone to ride loads, hooks, slings or other rigging for any reason.
- NEVER get on or off a moving crane.
- NEVER allow anyone other than the operator to be on this crane while the machine is operating or traveling.

The following standards and regulations regarding personnel handling are available by mail at the following addresses:

- *ASME (formerly ANSI) B30 Series American National Safety Standards For Cableways, Cranes, Derricks, Hoists, Hooks, Jacks, and Slings; ASME B30.5, Mobile*

*And Locomotive Cranes, and ASME B30.23, Personnel Lifting Systems, are available by mail from the ASME, 22 Law Drive, Fairfield, New Jersey, 0700-2900*

- US DOL/OSHA Rules and Regulations are available by mail from the Superintendent of Documents, PO Box 371954, Pittsburgh, PA, 15250-7954.

## ENVIRONMENTAL PROTECTION

**Dispose of waste properly!** Improperly disposing of waste can threaten the environment.

Potentially harmful waste used in Manitowoc cranes includes — but is not limited to — oil, fuel, grease, coolant, air conditioning refrigerant, filters, batteries, and cloths which have come into contact with these environmentally harmful substances.

Handle and dispose of waste according to local, state, and federal environmental regulations.

When filling and draining crane components, observe the following:

- Do not pour waste fluids onto the ground, down any drain, or into any source of water.
- Always drain waste fluids into leak proof containers that are clearly marked with what they contain.
- Always fill or add fluids with a funnel or a filling pump.
- Immediately clean up any spills.

## MAINTENANCE

The crane must be inspected prior to use on each work shift. The owner, user, and operator must ensure that routine maintenance and lubrication are being dutifully performed. **Never** operate a damaged or poorly maintained crane.

Manitowoc continues to recommend that cranes be properly maintained, regularly inspected and repaired as necessary. Manitowoc reminds crane owners to ensure that all safety decals are in place and legible. Manitowoc continues to urge crane owners to upgrade their cranes with load moment indicator (LMI) and control lever lockout systems for all lifting operations.

Shut down the crane while making repairs or adjustments.

Always perform a function check after repairs have been made to ensure proper operation. Load tests should be performed when structural or lifting members are involved.

Follow all applicable safety precautions in this manual when performing crane maintenance as well as crane operations.

Keep the crane free of mud, dirt, and grease at all times. Dirty equipment introduces hazards, wears-out faster, and makes proper maintenance difficult. Cleaning solutions used

should be non-flammable, non-toxic and appropriate for the job.

Routine maintenance and inspection of this crane must be performed by a qualified person(s) according to the recommendations in the Manitowoc Crane Care Maintenance and Inspection Manual. Any questions regarding procedures and specifications should be directed to your Manitowoc dealer.

## Service and Repairs



### WARNING

#### Fall Hazard!

Working at elevated heights without using proper fall protection can result in severe injury or death.

Always use proper fall protection as required by local, state or federal regulations.

Service and repairs to the crane must only be performed by a qualified person. All service and repairs must be performed in accordance with manufacturer's recommendations, this manual, and the service manual for this machine. If there is any question regarding maintenance procedures or specifications, contact your Manitowoc dealer for assistance.

**Qualified person** is defined as one who by reason of knowledge, training and experience is thoroughly familiar with the crane's operation and required maintenance as well as the hazards involved in performing these tasks.

**Training and qualification of maintenance and repair personnel are crane owner's responsibility.**

Any modification, alteration, or change to a crane which affects its original design and is not authorized and approved by Manitowoc is **strictly prohibited**. All replacement parts must be Manitowoc approved. Such action invalidates all warranties and makes the owner/user liable for any resultant accidents.

Hydraulic Fluid:

- Do not use your hand or any part of your body to check for hydraulic fluid leaks when the engine is running or the hydraulic system is under pressure. Fluid in the hydraulic system can be under enough pressure that it will penetrate the skin, causing serious injury or death. Use a piece of cardboard, or piece of paper, to search for leaks. Wear gloves to protect your hands from spraying fluid.
- If any hydraulic fluid is injected into the skin, obtain medical attention immediately or gangrene may result.

- Do not attempt to repair or tighten any hydraulic hose or fitting while the engine is running, or when the hydraulic system is under pressure.
- Never disconnect any hydraulic lines unless the boom is fully lowered, the engine is shut off, and the hydraulic pressure is relieved. To relieve hydraulic pressure, stop the engine and move the hydraulic controls in both directions several times.
- Hot hydraulic fluid will cause severe burns. Wait for the fluid to cool before disconnecting any hydraulic lines.
- Hydraulic fluid can cause permanent eye injury. Wear appropriate eye protection.

Moving Parts:

- Do not place limbs near moving parts. Amputation of a body part may result. Turn off the engine and wait until the fan and belts stop moving before servicing crane.
- Pinch points, which result from relative motion between mechanical parts, are areas of the machine that can cause personal injury or death. Do not place limbs or your body in contact with pinch points either on or around the machine. Care must be taken to prevent motion between pinch points when performing maintenance and to avoid such areas when movement is possible.
- Do not allow persons to stand near extending or lowering outriggers. Foot crushing could occur

Before performing any maintenance, service or repairs on the crane:

- The boom should be fully retracted and lowered and the load placed on the ground.
- Do not get under a raised boom unless the boom is blocked up safely. Always block up the boom before doing any servicing that requires the boom to be raised.
- Stop the engine and disconnect the battery.
- Controls should be properly tagged. Never operate the crane if it is **tagged-out** nor attempt to do so until it is restored to proper operating condition and all tags have been removed by the person(s) who installed them.

After maintenance or repairs:

- Replace all guards and covers that have been removed.
- Remove all tags, connect the battery, and perform a function check of all operating controls.
- Consult with Manitowoc Crane Care to determine if load testing is required after a structural repair is performed.

## Lubrication

The crane must be lubricated according to the manufacturer's recommendations for lubrication points, time

intervals, and types. Lubricate at more frequent intervals when working under severe conditions.

Exercise care when servicing the hydraulic system of the crane, as pressurized hydraulic oil can cause serious injury. The following precautions must be taken when servicing the hydraulic system:

- Follow the manufacturer's recommendations when adding oil to the system. Mixing the wrong fluids could destroy seals, causing component failure.
- Be certain all lines, components, and fittings are tight before resuming operation.

## Tires



### WARNING

#### Possible equipment damage and/or personal injury!

Driving the crane with a tire and split-rim assembly under inflated at 80% or less of its recommended pressure can cause the wheel and/or tire to fail. Per OSHA Standard 1910.177(f)(2), when a tire has been driven under inflated at 80% or less of its recommended pressure, it must first be completely deflated, removed from the axle, disassembled, and inspected before re-inflation.

Inspect the tires for nicks, cuts, embedded material, and abnormal wear.

Ensure all lug nuts are properly torqued.

Ensure pneumatic tires are inflated to the proper pressure (refer to the *Load Chart*). When inflating tires, use a tire gauge, clip-on inflator, and extension hose which will permit standing clear of the tire while inflating.

## Wire Rope

Use **only** the wire rope specified by Manitowoc as indicated on the crane's *Load Chart*. Substitution of an alternate wire rope may require the use of a different permissible line pull and, therefore, require different reeving.

**NOTE:** Wire rope may be purchased by contacting Manitowoc Crane Care.

Always make daily inspections of the wire rope, keeping in mind that all wire rope will eventually deteriorate to a point where it is no longer usable. Refuse to work with worn or damaged wire rope. Wire rope shall be taken out of service when any of the following conditions exist:

- For rotation-resistant running ropes: more than two (2) broken wires in a length of rope equal to six (6) times the rope diameter, or more than four (4) broken wires in a

length of rope equal to thirty (30) times the rope diameter.

- For running ropes other than rotation resistant: six (6) broken wires in one rope lay or three (3) broken wires in one strand.
- One valley break where the wire fractures between strands in a running rope is cause for removal.
- Abrasion of the rope resulting in wear of the individual outside wires of 1/3 of the original wire diameter.
- Any kinking, bird caging, crushing, corrosion, or other damage resulting in distortion of the rope structure.
- Rope that has been in contact with a live power line or has been used as a ground in an electric circuit (eg. welding) may have wires that are fused or annealed and must be removed from service.
- In standing ropes, more than three (3) breaks in one rope lay in sections beyond the end connection or more than two (2) broken wires at an end connection.
- Core deterioration, usually observed as a rapid reduction in rope diameter, is cause for immediate removal of the rope.

The following is a brief outline of the basic information required to safely use wire rope.

- Wire ropes wear out. The strength of a wire rope begins to decrease when the rope is put to use and continues to decrease with each use. Wire rope will fail if worn-out, overloaded, misused, damaged or improperly maintained.
- The nominal strength, sometimes called catalog strength, of a wire rope applies only to a new, unused rope.
- The nominal strength of a wire rope should be considered the straight line pull which will actually break a new unused rope. The nominal strength of a wire rope should never be used as its working load.
- Each type of fitting attached to a wire rope has a specific efficiency rating which can reduce the working load of the wire rope assembly or rope system.
- Never overload a wire rope. This means never use the wire rope where the load applied to it is greater than the working load determined by the rope manufacturer.
- Never "shock load" a wire rope. A sudden application of force or load can cause both visible external and internal damage. There is no practical way to estimate the force applied by shock loading a rope. The sudden release of a load can also damage a wire rope.
- Lubricant is applied to the wires and strands of a wire rope when it is manufactured. The lubricant is depleted when the rope is in service and should be replaced

periodically. Refer to the *Service Manual* for more information.

- In the U.S.A., regular inspections of the wire rope and keeping of permanent records signed by a qualified person are required by OSHA for almost every wire rope application. The purpose of the inspection is to determine whether or not a wire rope may continue to be safely used on the application. Inspection criteria, including number and location of broken wires, wear and elongation, have been established by OSHA, ANSI, ASME and similar organizations. See the *Service Manual* for inspection procedures.

When inspecting wire ropes and attachments, keep all parts of your body and clothing away from rotating hoist drums and all rotating sheaves. Never handle the wire rope with bare hands.

Some conditions that lead to problems in wire rope systems include:

- Sheaves that are too small, worn or corrugated cause damage to a wire rope.
- Broken wires mean a loss in strength.
- Kinks permanently damage a wire rope and must be avoided.
- Wire ropes are damaged by knots. Wire rope with knots must never be used.
- Environmental factors such as corrosive conditions and heat can damage a wire rope.
- Lack of lubrication can significantly shorten the useful life of a wire rope.
- Contact with electrical wires and resulting arcing will damage a wire rope.
- An inspection should include verification that none of the specified removal criteria for this usage are met by checking for such things as:
  - Surface wear; nominal and unusual.
  - Broken wires; number and location.
  - Reduction in diameter.
  - Rope stretch (elongation).
  - Integrity of end attachments.
  - Evidence of abuse or contact with another object.
  - Heat damage.
  - Corrosion.

**NOTE:** A more detailed wire rope inspection procedure is given in the *Service Manual*.

- When a wire rope has been removed from service because it is no longer suitable for use, it must not be reused on another application.

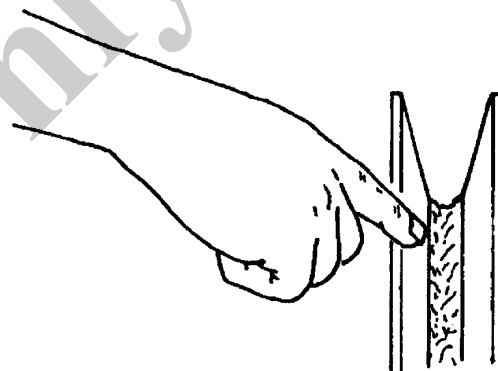
When installing a new rope:

- Keep all parts of your body and clothing away from rotating hoist drums and all rotating sheaves.
- Never handle the wire rope with bare hands.
- Follow proper instructions for removing rope from a reel.
- Apply back tension to the storage/payoff reel of the new rope to insure tight, even spooling onto the hoist drum.
- Operate the new rope - first through several cycles at light load and then through several cycles at intermediate load to allow the rope to adjust to operating conditions.

When using a wedge socket:

- Always inspect socket, wedge, and pin for correct size and condition.
- Do not use parts that are damaged, cracked, or modified.
- Assemble the wedge socket with live end of rope aligned with the centerline of pin and assure proper length of tail (dead end) protrudes beyond the socket.

## Sheaves



Inspect the boom nose and hook block sheaves for proper operation, excessive wear, and damage every 50 hours or weekly. Inoperable, damaged and/or worn sheaves cause rapid deterioration of wire rope.

Ensure sheaves carrying ropes that can be momentarily unloaded are equipped with close fitting guards or other devices to guide the rope back into the groove when the load is reapplied. Ensure sheaves in the lower load block are equipped with close fitting guards that will prevent the ropes from becoming fouled when the block is lying on the ground with loose ropes.

To attain maximum wire rope life and minimize hook block rotation, it is recommended that even numbers of parts-of-line be used in multiple-part reeving whenever possible.

The use of nylon (nylatron) sheaves, as compared with metallic sheaves, may change the replacement criteria of rotation-resistant wire rope.

**NOTE:** The use of cast nylon (nylatron) sheaves will substantially increase the service life of wire rope. However, conventional rope retirement criteria based only upon visible wire breaks may prove inadequate in predicting rope failure. The user of cast nylon sheaves is therefore cautioned that a retirement criteria should be established based upon the user's experience and the demands of his application.

## Batteries

Battery electrolyte must not be allowed to contact the skin or eyes. If this occurs, flush the contacted area with water and consult a doctor immediately.

When checking and maintaining batteries, exercise the following procedures and precautions:

- Wear safety glasses when servicing batteries.
- If equipped, disconnect battery with the battery disconnect switch before disconnecting the ground battery cable.
- Do not break a live circuit at the battery terminal. Disconnect the ground battery cable first when removing a battery and connect it last when installing a battery.
- Do not short across the battery posts to check charge. Short circuit, spark, or flame could cause battery explosion.
- Maintain battery electrolyte at the proper level. Check the electrolyte with a flashlight.
- If applicable to your crane, check battery test indicator on maintenance-free batteries.
- Check battery condition only with proper test equipment. Batteries shall not be charged except in an open, well-ventilated area that is free of flame, smoking, sparks, and fire.

## Engine

Fuel the crane only with the engine turned off. Do not smoke while fueling the crane. Do not store flammable materials on the crane.

Be familiar with the location and use of the nearest fire extinguisher.

Be careful when checking the engine coolant level. The fluid may be hot and under pressure. Shut down the engine and

allow the radiator time to cool before removing the radiator cap.

Shut down the engine and disconnect the battery before performing maintenance. If unable to do so for the task required, keep hands clear of the engine fan and other moving parts while performing maintenance.

Be careful of hot surfaces and hot fluids when performing maintenance on or around the engine.

Do not use ether to start the engine on cranes equipped with intake manifold grid heaters.

## TRANSPORTING THE CRANE

Before transporting the crane, check the suitability of the proposed route with regard to the crane height, width, length, and weight.

Check load limits of bridges on the travel route and ensure they are greater than the combined weight of the crane and transporting vehicle.

When loading or unloading the crane on a trailer or railroad car, use a ramp capable of supporting the weight of the crane.

Ensure the crane is adequately secured to the transporting vehicle.

Before transporting the crane on a road or highway, first check state and local restrictions and regulations.

When using hookblock tie downs, excessive loading can be applied by pulling the cable too tight, particularly when reeved with multiple part lines. When the cable is hooked into the hookblock tie down, the cable should be merely "snugged-up" with slack provided at the center line of sheave to anchor point. Care must be exercised anytime any crane function is being performed while the cable is hooked into the hookblock tie down. Do not draw cable taut.

## TRAVEL OPERATION

Only the crane operator shall occupy the crane when traveling.

When traveling, the boom should be completely retracted and lowered to the travel position and the turntable pin swing lock should be engaged. If equipped with boom rest, lower the boom into the boom rest and engage the turntable lock.

Strictly adhere to the guidelines and restrictions in the *Load Chart* for pick and carry operations.

This machine is manufactured with no axle suspension system. Traveling at high speeds, especially on rough ground, may create a bouncing affect that can result in loss of control. If bouncing occurs, reduce travel speed. (RT and Shuttle Lift Only)

Death or serious injury could result from being crushed by revolving tires.

“Stunt” driving and “horse-play” are strictly prohibited. Never allow anyone to hitch a ride or get on or off a moving crane.

Follow the instructions in this manual when preparing the crane for travel.

If using a boom dolly/trailer, thoroughly read and understand all the steps and safety precautions in this manual for setup and travel.

When driving the crane, ensure the cab is level, if equipped with a tilting cab.

Secure the hook block and other items before moving the crane.

Watch clearances when traveling. Do not take a chance of running into overhead or side obstructions.

When moving in tight quarters, post a signal person to help guard against collisions or bumping structures.

Before traveling a crane, check suitability of proposed route with regard to crane height, width, and length.

Never back up without the aid of a signal person to verify the area behind the crane is clear of obstructions and/or personnel.

On cranes equipped with air-operated brakes, do not attempt to move the crane until brake system air pressure is at operating level.

Check load limit of bridges. Before traveling across bridges, ensure they will carry a load greater than the crane's weight.

If it is necessary to take the crane on a road or highway, check state and local restrictions and regulations.

Keep lights on, use traffic warning flags and signs, and use front and rear flag vehicles when necessary. Check state and local restrictions and regulations.

Always drive the crane carefully obeying speed limits and highway regulations.

Stay alert at the wheel.

If equipped, ensure that the hoist access platform hand rail and step are in the travel configuration.

Slopes:

- Pick and carry on level surfaces only.
- Refer to the *Operation Section* for more detailed information on traveling on slopes.
- Driving across a slope is dangerous, as unexpected changes in slope can cause tip over. Ascend or descend slopes slowly and with caution.
- Ascend or descend slopes with the boom pointing up the slope.
- When operating on a downhill slope, reduce travel speed and downshift to a low gear to permit compression braking by the engine and aid the application of the service brakes.



## WORK PRACTICES

### Personal Considerations

Always adjust the seat and lock it in position, and fasten the seat belt securely before you start the engine.

Do not wear loose clothing or jewelry that can get caught on controls or moving parts. Wear the protective clothing and personal safety gear issued or called for by the job conditions. Hard hat, safety shoes, ear protectors, reflective clothing, safety goggles, and heavy gloves may be required.

### Crane Access



#### WARNING

##### Fall Hazard!

Working at elevated heights without using proper fall protection can result in severe injury or death.

Always use proper fall protection as required by local, state or federal regulations.

You must take every precaution to ensure you do not slip and/or fall off the crane. Falling from any elevation could result in serious injury or death.

Never exit or enter the crane cab or deck by any other means than the access system(s) provided (i.e., steps and grab handles). Use the recommended hand-holds and steps to maintain a three-point contact when getting on or off the crane.

If necessary, use a ladder or aerial work platform to access the boom nose.

Do not make modifications or additions to the crane's access system that have not been evaluated and approved by Manitowoc Crane Care.

Do not step on surfaces on the crane that are not approved or suitable for walking and working. All walking and working surfaces on the crane should be clean, dry, slip-resistant, and have adequate supporting capacity. Do not walk on a surface if slip-resistant material is missing or excessively worn.

Do not use the top of the boom as a walkway.

Do not step on the outrigger beams or outrigger pads (floats) to enter or exit the crane.

Use the hoist access platform (if equipped) when working in the hoist area.

Wear shoes with a highly slip-resistant sole material. Clean any mud or debris from shoes before entering the crane cab/operator's station or climbing onto the crane superstructure. Excessive dirt and debris on the hand-holds, access steps,

or walking/working surfaces could cause a slipping accident. A shoe that is not clean might slip off a control pedal during operation.

Do not allow ground personnel to store their personal belongings (clothing, lunch boxes, water coolers, and the like) on the crane. This practice will prevent ground personnel from being crushed or electrocuted when they attempt to access personal belongings stored on the crane.

### Job Preparation

Before crane use:

- Barricade the entire area where the crane is working and keep all unnecessary personnel out of the work area.
- Ensure that the crane is properly equipped including access steps, covers, doors, guards, and controls.
- Conduct a visual inspection for cracked welds, damaged components, loose pins/bolts, and wire connections. Any item or component that is found to be loose or damaged (broken, chipped, cracked, worn-through, etc.) must be repaired or replaced. Inspect for evidence of improper maintenance (consult your *Service Manual*).
- Check for proper functioning of all controls and operator aids (e.g. LMI).
- Check all braking (e.g. wheel, hoist, and swing brakes) and holding devices before operation.

You must ensure that the outriggers and stabilizers are properly extended and set before performing any lifting operations. On models equipped with outriggers that can be pinned at the mid-extend position, the outriggers must also be pinned when operating from the mid-extend position.

Clear all personnel from the outrigger area before extending or retracting the outriggers. Carefully follow the procedures in this *Operator's Manual* when extending or retracting the outriggers. Death or serious injury could result from improper crane set up on outriggers.

Be familiar with surface conditions and the presence of overhead obstructions and power lines.

### Working

Operator shall be responsible for all operations under his/her direct control. When safety of an operation is in doubt, operator shall stop the crane's functions in a controlled manner. Lift operations shall resume only after safety concerns have been addressed or the continuation of crane operations is directed by the lift supervisor.

Know the location and function of all machine controls.

Make sure all persons are away from the crane and the Travel Select Lever is in the "N" (Neutral) position with the parking brake engaged before starting the engine.

Sparks from the crane's electrical system and/or engine exhaust can cause an explosion. **Do not** operate this crane in an area with flammable dust or vapors, unless good ventilation has removed the hazard.

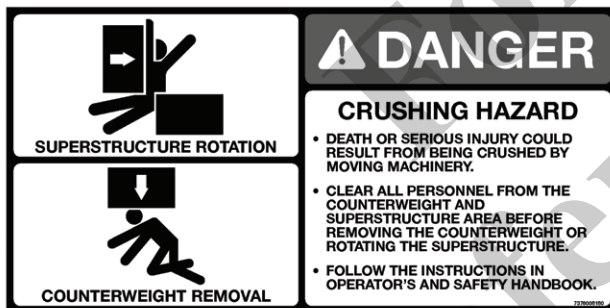
Carbon monoxide fumes from the engine exhaust can cause suffocation in an enclosed area. Good ventilation is very important when operating the crane.

Before actuating swing or any other crane function, sound the horn and verify that all personnel are clear of rotating and moving parts.

Never operate the crane when darkness, fog, or other visibility restrictions make operation unsafe. Never operate a crane in thunderstorms or high winds.

Always be aware of your working environment during operation of the crane. Avoid contacting any part of the crane with external objects.

Clear all personnel from the counterweight and superstructure area before removing the counterweight.



Keep unauthorized personnel clear of the working area during operation.

Only the crane operator shall occupy the crane when in operation.

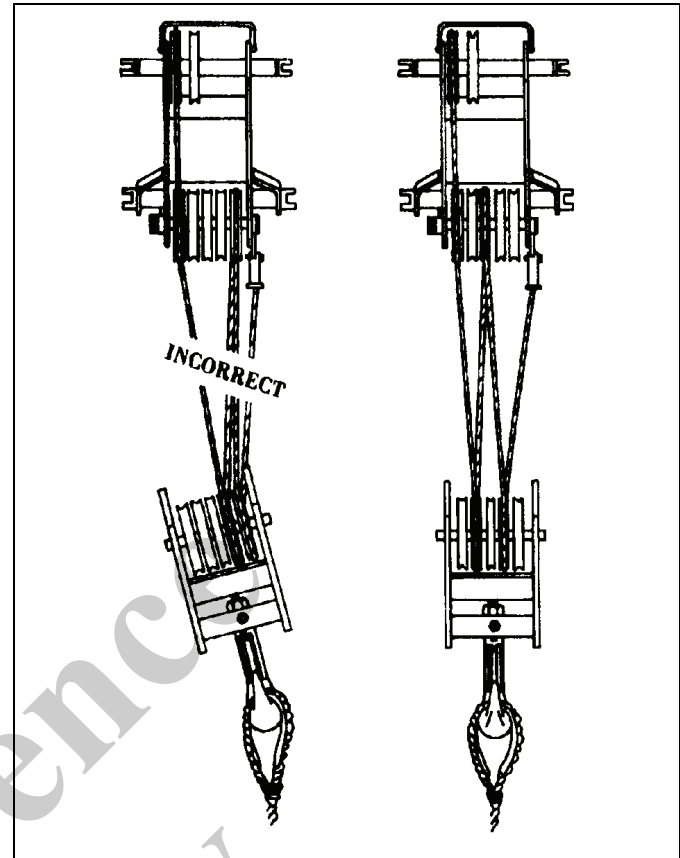
You must always be aware of everything around the crane while lifting or traveling. If you are unable to clearly see in the direction of motion, you must post a look out or signal person before moving the crane or making a lift. Sound the horn to warn personnel.

Operate the crane only from the operator's seat. Do not reach in a window or door to operate any controls.

Operate the crane slowly and cautiously, looking carefully in the direction of movement.

A good practice is to make a "dry run" without a load before making the first lift. Become familiar with all factors peculiar to the job site.

Ensure the wire rope is properly routed on the hook block and boom nose and that all rope guards are in place.



## Lifting

**Use enough parts of line for all lifts and check all lines, slings, and chains for correct attachment.** To obtain maximum lifting capacities, the hook block must be set up with enough parts of line. Too few parts of line can result in failure of the wire rope or hoist. **No less than three wraps** of wire rope should remain on the hoist drum. When slings, ties, hooks, etc., are used, make certain they are correctly positioned and secured before raising or lowering the loads.

Be sure the rigging is adequate before lifting. Use tag lines when possible to position and restrain loads. Personnel using tag lines should be on the ground.

Be sure good rigging practices are being used. Refuse to use any poorly maintained or damaged equipment. Never wrap the hoist cable around a load.

If using a clam bucket, do not exceed 80% of the crane's capacity.

Make certain the boom tip is centered directly over the load before lifting.

Ensure that all slings, ties, and hooks are correctly placed and secured before raising or lowering the load.

Be sure the load is well secured and attached to the hook with rigging of proper size and in good condition.

Check the hoist brake by raising the load a few inches, stopping the hoist and holding the load. Be sure the hoist brake is working correctly before continuing the lift.

When lowering a load always slow down the load's descent before stopping the hoist. Do not attempt to change speeds on multiple-speed hoists while the hoist is in motion.

Watch the path of the boom and load when swinging. Avoid lowering or swinging the boom and load into ground personnel, equipment, or other objects.

**Lift one load at a time.** Do not lift two or more separately rigged loads at one time, even if the loads are within the crane's rated capacity.

Never leave the crane with a load suspended. Should it become necessary to leave the crane, lower the load to the ground and stop the engine before leaving the operator's station.

Remember, all rigging equipment must be considered as part of the load. Lifting capacities vary with working areas. If applicable, permissible working areas are listed in the *Load Chart*. When swinging from one working area to another, ensure *Load Chart* capacities are not exceeded. Know your crane!

Stop the hook block from swinging when unhooking a load.

Swinging rapidly can cause the load to swing out and increase the load radius. Swing the load slowly. Swing with caution and keep the load lines vertical.

Look before swinging your crane. Even though the original setup may have been checked, situations do change.

Never swing or lower the boom into the carrier cab (if applicable).

Do not pull posts, pilings, or submerged articles. Be sure the load is not frozen or attached to the ground before lifting.

Never push or pull loads with the crane's boom; never drag a load.

Do not subject crane to side loading. A side load can tip the crane or cause it to fail structurally.

If the boom should contact an object, stop immediately and inspect the boom. Remove the crane from service if the boom is damaged.

When lifting a load the boom may deflect causing the load radius to increase—this condition is made worse when the boom is extended. Ensure weight of load is within crane's capacity on *Load Chart*.

Avoid sudden starts and stops when moving the load. The inertia and an increased load radius could tip the crane over or cause it to fail structurally.

Use tag lines (as appropriate) for positioning and restraining loads. Check the load slings before lifting.

Be sure everyone is clear of the crane and work area before making any lifts.

Never swing over personnel, regardless of whether load is suspended from or attached to the boom.

## Hand Signals

A single qualified signal person shall be used at all times when:

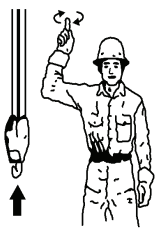
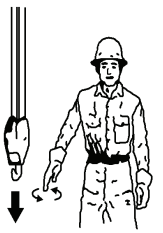
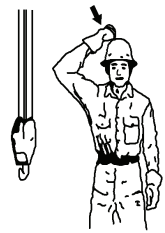
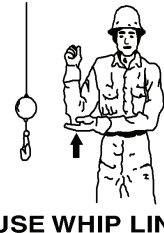
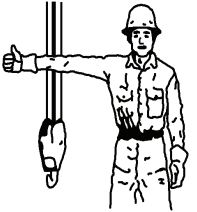
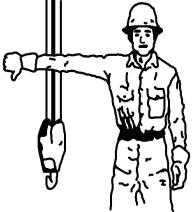
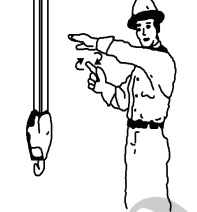
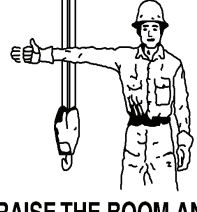
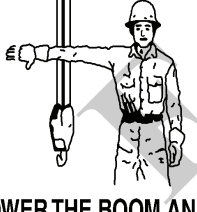

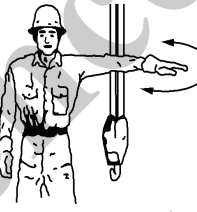
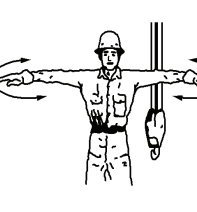
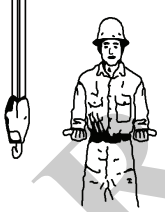

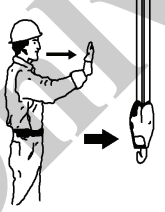
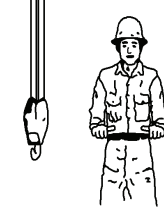
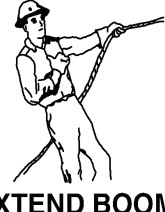

- Working in the vicinity of power lines.
- The crane operator cannot clearly see the load at all times.
- Moving the crane in an area or direction in which the operator cannot clearly see the path of travel.

At all times use standardized hand signals - previously agreed upon and completely understood by the operator and signal person.

If communication with the signal person is lost, crane movement must be stopped until communications are restored.

Keep your attention focused on the crane's operation. If for some reason you must look in another direction, stop all crane movement first.

Obeys a signal to stop from anyone.

			
<b>HOIST</b>	<b>LOWER</b>	<b>USE MAIN HOIST</b>	<b>USE WHIP LINE (Auxiliary Hoist)</b>
			
<b>RAISE BOOM</b>	<b>LOWER BOOM</b>	<b>MOVE SLOWLY</b>	<b>RAISE THE BOOM AND LOWER THE LOAD</b>
			
<b>LOWER THE BOOM AND RAISE THE LOAD</b>	<b>SWING</b>	<b>STOP</b>	<b>EMERGENCY STOP</b>
			
<b>EXTEND BOOM</b>	<b>DOG EVERYTHING</b>	<b>TRAVEL</b>	<b>RETRACT BOOM</b>
	<b>HAND SIGNALS</b>		
<b>EXTEND BOOM (ONE HAND)</b>	Reprinted by permission of The American Society of Mechanical Engineers		<b>RETRACT BOOM (ONE HAND)</b>

Reprinted from ASME B30.5-2014, by permission of The American Society of Mechanical Engineers. All Rights Reserved.

## BOOM EXTENSION

To avoid death or serious injury, follow the procedures in this manual during erection, stowage, and use of the boom extension.

Install and secure all pins properly.

Control movement of boom extension at all times.

Do not remove right side boom nose pins unless boom extension is properly pinned and secured on front and rear stowage brackets.



### DANGER

#### Boom Extension Hazard!

To avoid death or serious injury, follow procedures in *Load Chart*, safety, and operation manuals during erection, stowage and use of boom extension. Install and secure all pins properly and control boom extension movement at all times.

Do not remove all the pins from both front and rear stowage brackets unless the boom extension is pinned to the right side of the boom nose.

Properly inspect, maintain, and adjust boom extension and mounting.

When assembling and disassembling boom extension sections, use blocking to adequately support each section and to provide proper alignment.

Stay outside of boom extension sections and lattice work.

Watch for falling or flying pins when they are being removed.

## PARKING AND SECURING



### WARNING

#### Tipping Hazard!

When parking the crane and leaving it unattended follow the instructions in Section 3 of this manual.

Failure to comply with these instructions may cause death or serious injury

When parking on a grade, apply the parking brake and chock the wheels.

Section 3 of this manual provides instructions for parking and securing a crane when it is to be left unattended. These instructions are intended to allow the crane to be placed in the most stable and secure position. However, Manitowoc recognizes that certain jobsite conditions may not permit the boom and boom extension of a crane to be fully lowered to

the ground. When a qualified person at a jobsite determines that it is not practical to lower the boom to the ground, we recommend the following additional instructions be followed:

- The crane should be left in the smallest, most stable, valid operational configuration that the job site practically allows.
- The crane can not be left running, with a load on the hook, or in erection mode, or in wind conditions in excess of allowed values.
- The boom should be retracted as far as is practical, the crane configured in as stable a configuration as possible (boom angle, superstructure orientation, boom extension angle, etc.)
- In high winds the boom and boom extensions should be lowered, or secured. Changing weather conditions including but not limited to: wind, ice accumulation, precipitation, flooding, lighting, etc. should be considered when determining the location and configuration of a crane when it is to be left unattended.

## SHUT-DOWN

Use the following steps when shutting down the crane:

- Engage the parking brake.
- Fully retract and lower the boom.
- Engage the swing lock pin or 360 degree swing lock.
- Place controls in neutral position.
- Shut down the engine and remove the ignition key.
- Chock the wheels, if not on outriggers.
- Lock the operator's cab (if applicable) and install vandal guards, if used.

In cold weather, never park the crane where the tires can become frozen to the ground.

## COLD WEATHER OPERATION

Cold weather operation requires additional caution on the part of the operator.

Check operating procedures in this manual for cold weather starting.

Don't touch metal surfaces that could freeze you to them.

Clean the crane of all ice and snow.

Allow ample time for hydraulic oil to warm up.

In freezing weather, park the crane in an area where it cannot become frozen to the ground. The drive line can be damaged when attempting to free a frozen crane.

If applicable to your crane, frequently check all air tanks for water in freezing weather.

If applicable to your crane, always handle propane tanks according to the supplier's instructions.

Never store flammable materials on the crane.

If cold weather starting aids are provided on your crane, use them. The use of aerosol spray or other types of starting fluids containing ether/volatiles can cause explosions or fire.

**TEMPERATURE EFFECTS ON HYDRAULIC CYLINDERS**

Hydraulic oil expands when heated and contracts when cooled. This is a natural phenomena that happens to all liquids. The coefficient of expansion for API Group 1 hydraulic oil is approximately 0.00043 cubic inches per cubic inch of volume for 1°F of temperature change. **Thermal contraction will allow a cylinder to retract as the hydraulic fluid which is trapped in the cylinder cools.**

The change in the length of a cylinder is proportional to the extended length of the cylinder and to the change in temperature of the oil in the cylinder. For example, a cylinder extended 25 ft in which the oil cools 60°F would retract approximately 7 3/4 in (see chart below). A cylinder extended 5 feet in which the oil cools 60°F would only retract approximately 1 1/2 in. The rate at which the oil cools depends on many factors and will be more noticeable with a larger difference in oil temperature verses the ambient temperature.

Thermal contraction coupled with improper lubrication or improper wear pad adjustments may, under certain conditions, cause a "stick-slip" condition in the boom. This "stick-slip" condition could result in the load not moving smoothly. Proper boom lubrication and wear pad adjustment is important to permit the boom sections to slide freely. Slow

movement of the boom may be undetected by the operator unless a load is suspended for a long period of time. To minimize the effects of thermal contraction or "Stick-slip" it is recommended that the telescope control lever is activated periodically in the extend position to mitigate the effects of cooling oil.

If a load and the boom is allowed to remain stationary for a period of time and the ambient temperature is cooler than the trapped oil temperature, the trapped oil in the cylinders will cool. The load will lower as the telescope cylinder(s) retracts allowing the boom to come in. Also, the boom angle will decrease as the lift cylinder(s) retracts causing an increase in radius and a decrease in load height.

This situation will also occur in reverse. If a crane is set up in the morning with cool oil and the daytime ambient temperature heats the oil, the cylinders will extend in similar proportions.

Table 2-2 and Table 2-3 have been prepared to assist you in determining the approximate amount of retraction/extension that may be expected from a hydraulic cylinder as a result of change in the temperature of the hydraulic oil inside the cylinder. The chart is for dry rod cylinders. If the cylinder rod is filled with hydraulic oil, the contraction rate is somewhat greater.

**NOTE:** Operators and service personnel must be aware that load movement, as a result of this phenomena, can be easily mistaken as leaking cylinder seals or faulty holding valves. If leaking seals or faulty holding valves are suspected to be the problem, refer to Service Bulletin dealing with testing telescope cylinders. (Bulletin 98-036 applies to TMS700 and bulletin G06-005A applies to RT890 and RT9130.

**Table 2-2: Boom Drift Chart (Cylinder length change in inches)**

Coeff. = 0.00043 (in <sup>3</sup> /in <sup>3</sup> / °F)											
STROKE (FT.)	Temperature Change (°F)										
	10	20	30	40	50	60	70	80	90	100	
5	0.26	0.52	0.77	1.03	1.29	1.55	1.81	2.06	2.32	2.58	
10	0.52	1.03	1.55	2.06	2.58	3.10	3.61	4.13	4.64	5.16	
15	0.77	1.55	2.32	3.10	3.87	4.64	5.42	6.19	6.97	7.74	
20	1.03	2.06	3.10	4.13	5.16	6.19	7.22	8.26	9.29	10.32	
25	1.29	2.58	3.87	5.16	6.45	7.74	9.03	10.32	11.61	12.90	
30	1.55	3.10	4.64	6.19	7.74	9.29	10.84	12.38	13.93	15.48	
35	1.81	3.61	5.42	7.22	9.03	10.84	12.64	14.45	16.25	18.06	
40	2.06	4.13	6.19	8.26	10.32	12.38	14.45	16.51	18.58	20.64	
45	2.32	4.64	6.97	9.29	11.61	13.93	16.25	18.58	20.90	23.22	
50	2.58	5.16	7.74	10.32	12.90	15.48	18.06	20.64	23.22	25.80	
55	2.84	5.68	8.51	11.35	14.19	17.03	19.87	22.70	25.54	28.38	
60	3.10	6.19	9.29	12.38	15.48	18.58	21.67	24.77	27.86	30.96	

Length change in inches = Stroke (Ft.) X Temperature Change ( °F) X Coeff. (in<sup>3</sup>/in<sup>3</sup>/ °F) X 12 in/ft

Table 2-3 Boom Drift Chart (Cylinder length change in millimeters)

Coeff. = 0.000774 (1/ °C)

STROKE (m)	Temperature Change (°C)										
	5	10	15	20	25	30	35	40	45	50	55
1.5	5.81	11.61	17.42	23.22	29.03	34.83	40.64	46.44	52.25	58.05	63.86
3	11.61	23.22	34.83	46.44	58.05	69.66	81.27	92.88	104.49	116.10	127.71
4.5	17.42	34.83	52.25	69.66	87.08	104.49	121.91	139.32	156.74	174.15	191.57
6	23.22	46.44	69.66	92.88	116.10	139.32	162.54	185.76	208.98	232.20	255.42
7.5	29.03	58.05	87.08	116.10	145.13	174.15	203.18	232.20	261.23	290.25	319.28
9	34.83	69.66	104.49	139.32	174.15	208.98	243.81	278.64	313.47	348.30	383.13
10.5	40.64	81.27	121.91	162.54	203.18	243.81	284.45	325.08	365.72	406.35	446.99
12	46.44	92.88	139.32	185.76	232.20	278.64	325.08	371.52	417.96	464.40	510.84
13.5	52.25	104.49	156.74	208.98	261.23	313.47	365.72	417.96	470.21	522.45	574.70
15	58.05	116.10	174.15	232.20	290.25	348.30	406.35	464.40	522.45	580.50	638.55
16.5	63.86	127.71	191.57	255.42	319.28	383.13	446.99	510.84	574.70	638.55	702.41
18	69.66	139.32	208.98	278.64	348.30	417.96	487.62	557.28	626.94	696.60	766.26

Length change in mm = Stroke (m) X Temperature Change ( °C) X Coeff. (1/ °C) X 1000 mm/m

2

**OVERLOAD INSPECTION**

This information supplements the Load Moment Indicator (LMI) manual supplied with each Grove crane.

When the LMI system has acknowledged an overload on your crane, you must carry out specified inspections on the crane.

These inspections apply only to overloads up to 50%. For overloads of 50% or higher, crane operation must be stopped immediately and Crane Care must be contacted for corrective action.

**! WARNING**  
**Overload Hazard!**

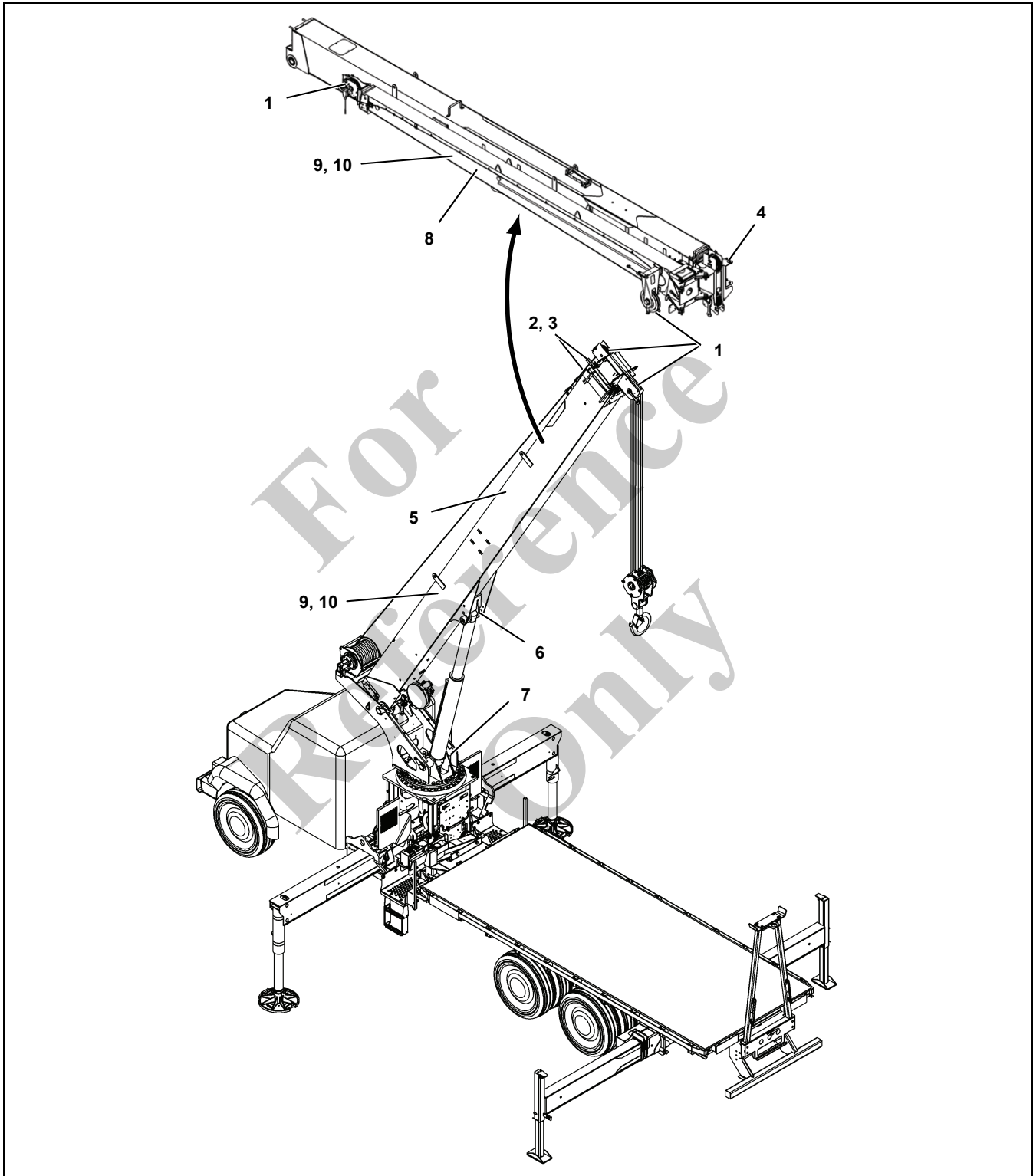
To avoid an accident caused by overload damage to your crane:

- Perform the inspections outlined in this publication for overloads up to 50%.
- Stop operating the crane and contact Manitowoc Crane Care immediately for overloads of 50% and higher.

**NOTE:** If your crane is equipped with CraneSTAR, an overload warning will be posted to the web site for review by the crane owner.

Overload warnings do NOT indicate real time events! Warnings could be sent 24 hours (or more) after the actual event.

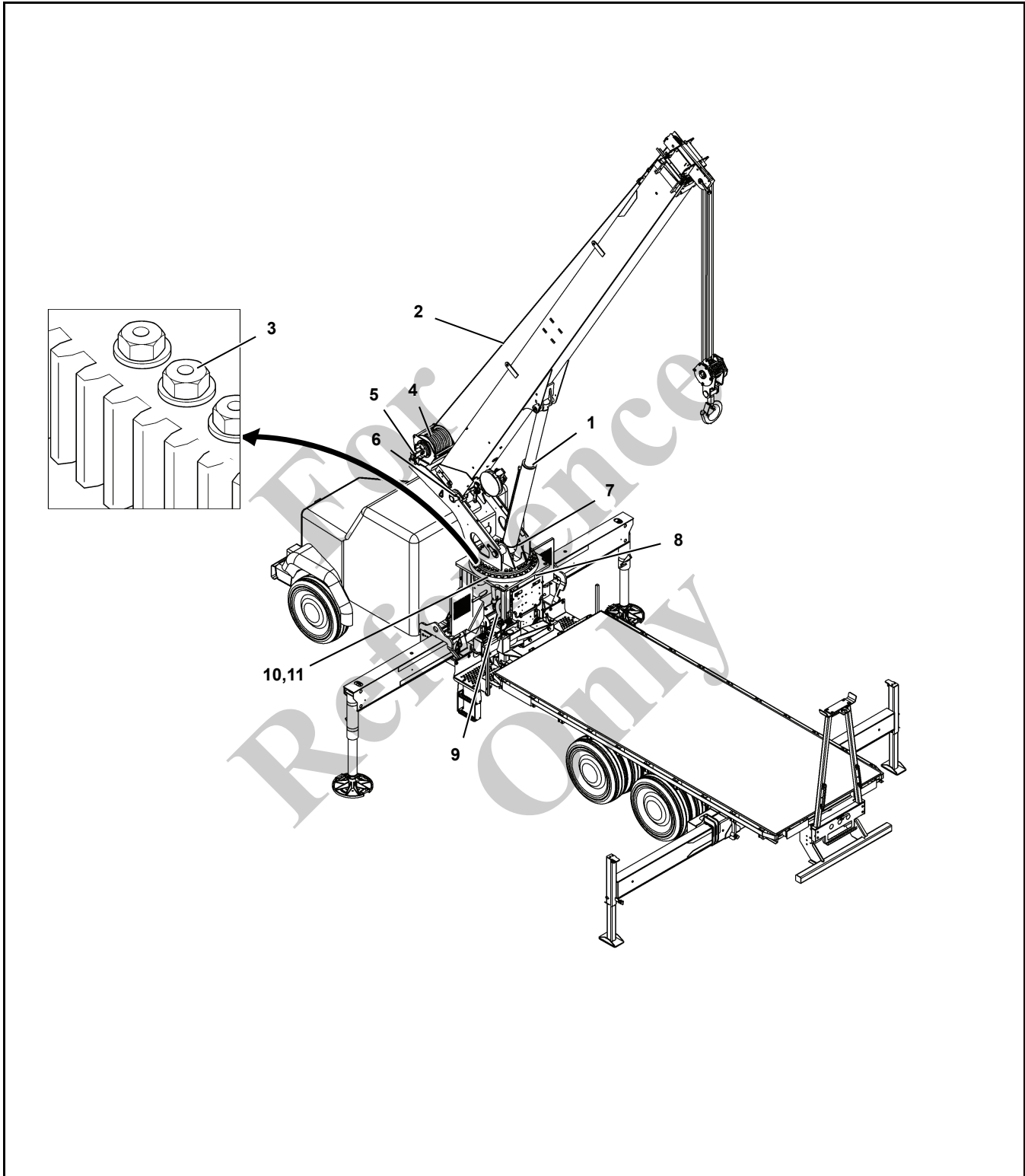
Boom Inspection





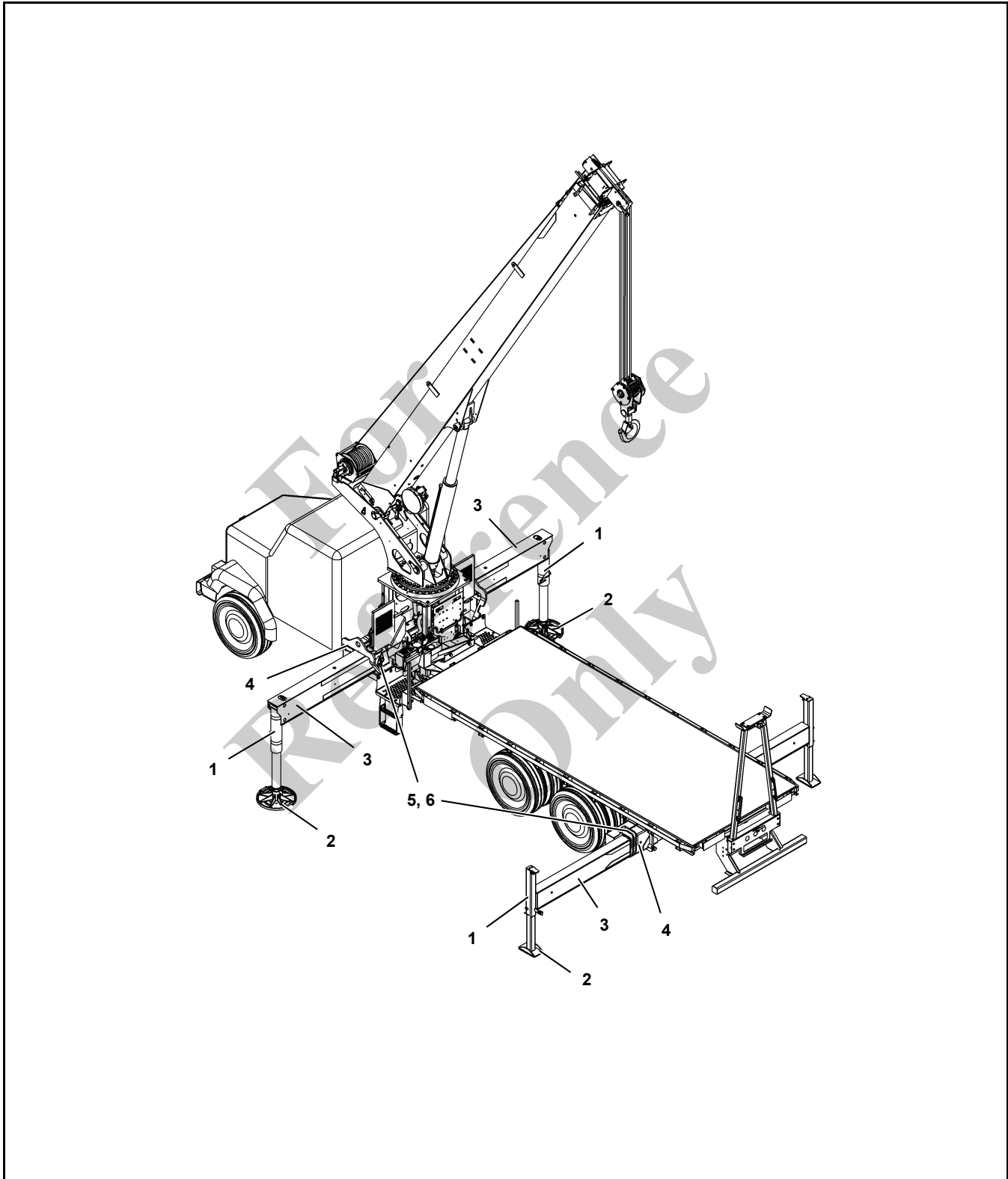
<b>Overload less than 25%</b>			
1	Sheaves, Rope Guides	Inspect all for damage.	
2	Collar-Wear Pads, Pad Retainers	Inspect for damage.	
<b>Overload from 25% to 49%</b>			
1	Sheaves, Rope Guides	Inspect all for damage.	
2	Collar-Wear Pads, Pad Retainers	Inspect all for damage.	
3	Collar-welds	Inspect all for damage.	
4	Pinning Areas	Inspect all for cracks.	
5	Telescopic Sections	Inspect for bent or twisted sections. Check the boom for straightness.	
6	Lift Cylinder Head Area	Inspect for bends or cracked welds.	
7	Turret-Base Section	Inspect for cracked welds.	
8	Jib Section	Inspect for bent or twisted section. Check for straightness.	
9	Welds	Inspect for cracks.	
10	Paint	Inspect for cracked paint which could indicate twisted, stretched, or compressed members.	

Superstructure Inspection



<b>Overload less than 25%</b>			
1	Lift Cylinder	Inspect for leaks.	
2	Wire Rope	Inspect all for damage.	See topic in Introduction section of Service Manual.
3	Turntable Bearing	Check bolts for proper torque.	See topic in Swing section of Service Manual.
<b>Overload from 25% to 49%</b>			
1	Lift Cylinder	Inspect for leaks.	
2	Wire Rope	Inspect all for damage.	See topic in Introduction section of Service Manual.
3	Turntable Bearing	Check bolts for proper torque.	See topic in Swing section of Service Manual.
4	Hoist/Drums	Inspect each for damage.	
5	Hoist Brakes	Brakes must hold rated line pull.	
6	Bearing Main Boom Pivot Pin	Inspect for deformation, cracked welds.	
7	Lift Cylinder-Lower Mount	Inspect pin and welds.	
8	Turret Area	Inspect for deformation, cracked welds.	
9	Mounting Studs	Check bolts for proper torque.	
10	Welds	Inspect for cracks.	
11	Paint	Inspect for cracked paint which could indicate twisted, stretched, or compressed members.	

Carrier Inspection



Overload less than 25%			
1	Stabilizer Cylinders	Inspect for leaks.	
2	Outrigger Pads	Inspect for deformation and cracked welds.	
Overload from 25% to 49%			
1	Stabilizer Cylinders	Inspect for leaks.	
2	Outrigger Pads	Inspect for deformation and cracked welds.	
3	Outrigger Beams	Inspect for deformation and cracked welds.	
4	Outrigger Boxes	Inspect for deformation and cracked welds.	
5	Welds	Inspect for cracks.	
6	Paint	Inspect for cracked paint which could indicate twisted, stretched, or compressed members.	

For Reference Only

*For  
Reference  
Only*

## SECTION 3

### CONTROLS AND OPERATING PROCEDURES

This section contains information on the controls and operating procedures to include:

- Truck Cab Controls
- Outrigger Controls
- Crane Controls
- Operating Procedures
- Hoist System Operation
- Work Site Location
- Load Chart
- Lifting the Load
- Shutdown and Preparation for Travel

#### TRUCK CAB CONTROLS

The truck cab controls described here are those controls that are used in conjunction with the crane controls.

##### Truck Cab Ignition Switch

Truck cab ignition switch must be OFF in order for crane cab ignition switch to be operable.

##### Power Take Off

###### *Manual Shift Control*

The PTO is engaged when the knob on the dash or floor is pulled out and disengaged when the knob is pushed in. The truck gear shift lever must be in neutral and the clutch depressed whenever the knob is moved.

###### *Air Shift Control*

The PTO is engaged when the switch is moved to apply air to PTO and disengaged when switch is in off position. The truck gear shift lever must be in neutral and clutch depressed when switch is moved. The transmission selector lever must be returned to "N" for stationary vehicle operation. The power take-off may be disengaged while in any transmission range provided that the load has first been removed from the PTO.

###### *Electric Shift Control*

Full torque electric shift PTO's are controlled by a switch. To operate, disengage the clutch, shift to fourth or fifth gear, and operate the switch down to engage the PTO or up to disengage the PTO. Return the gear shift to neutral and engage the clutch.

##### *Power Shift Control*

If the vehicle is equipped with automatic transmission, the power take-off must be engaged with the engine at idle. See transmission manufacturer's instructions for special procedures.

##### Park Brake

The truck brake must be firmly set before leaving cab to begin operation. If the ground surface is icy or slick or is sloped, you may be required to help immobilize the truck with wheel chocks.

##### Engine Speed Governor

Some diesel engines are equipped with a variable speed governor which overrides the engine speed governor. If equipped, two knobs in the cab select between crane operation and normal driving operation.

##### Neutral Start/Safety Switch

Truck must be equipped with neutral/start safety switch on truck transmission. Check occasionally to ensure it is working correctly and repair if it is not.

#### OUTRIGGER CONTROLS

##### Outrigger Control Box

The handheld outrigger control box (Figure 3-1) is located in the stowage compartment at the back of the crane. The controls are electrically operated and include four outrigger selector switches, a extend/retract switch, and an optional front stabilizer switch. A remote engine throttle is located under the door of the crane cab for engine speed control when operating the outriggers.

##### Crane Level Indicators

The crane has one primary, one secondary level indicator and one optional secondary level indicator. The primary level indicator is used to verify the accuracy of the secondary level indicators.

The primary level indicator is located at the back of the crane at the top of the rear outrigger box (1) (Figure 3-1). The secondary level indicator is located on the back of the truck down on the T-box frame (6) (Figure 3-1).

The optional secondary level indicator is located in the crane cab (4) (Figure 3-3) and is installed when a second handheld outrigger control box for the crane cab is purchased.

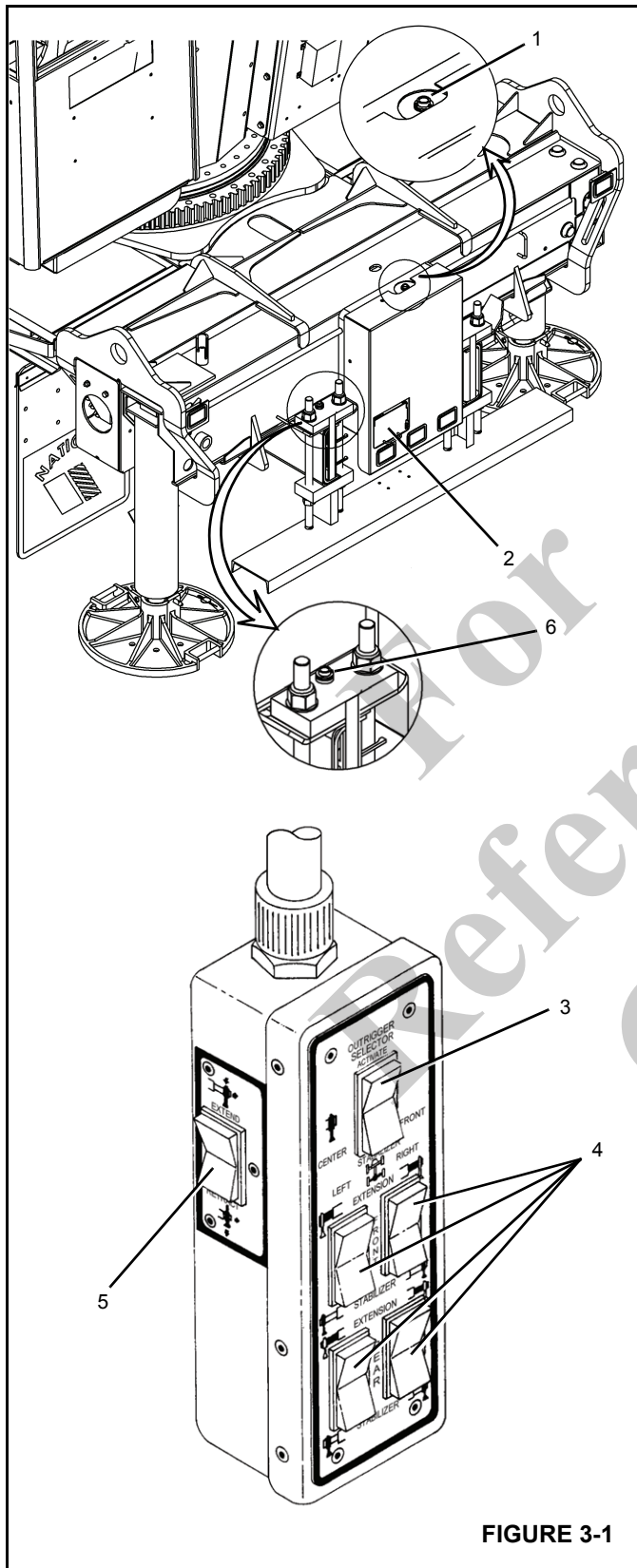


FIGURE 3-1

Item	Description
1	Primary Level Indicator
2	Outrigger Control Box Stowage Compartment
3	Front Center Stabilizer Switch (optional)
4	Outrigger Selector Switches
5	Extend/Retract Switch
6	Secondary Level Indicator

**Remote Engine Throttle**

The remote engine throttle is located under the crane cab door (Figure 3-2) and is used to control the engine speed when operating the outriggers. Pull out to increase engine speed and turn clockwise to lock. Turn counterclockwise to unlock and push in to reduce engine speed.

**Outrigger Control Box**

The handheld outrigger control box is stowed in a stowage compartment at the rear of the crane (Figure 3-1) and is used to control the outriggers.

**NOTE:** An optional secondary outrigger control box is available for the crane cab.

**Extend/retract Switch**

The extend/retract switch is located on the side of the outrigger control box and is used in conjunction with the outrigger selector switches to control the outrigger functions.

**Outrigger Selector Switches**

There are four outrigger selector switches on top of the outrigger control box. To extend or retract an outrigger component, first select the component with the outrigger selector switch, then select extend or retract with the extend/retract switch.

**Center Front Stabilizer Switch**

The center front stabilizer switch is used to lower and raise the center front stabilizer. To operate the center front stabilizer, press the center front stabilizer switch and then press extend/retract switch. The center front stabilizer automatically retracts if any of the other stabilizers are adjusted and must be reset if lifting is to be continued.



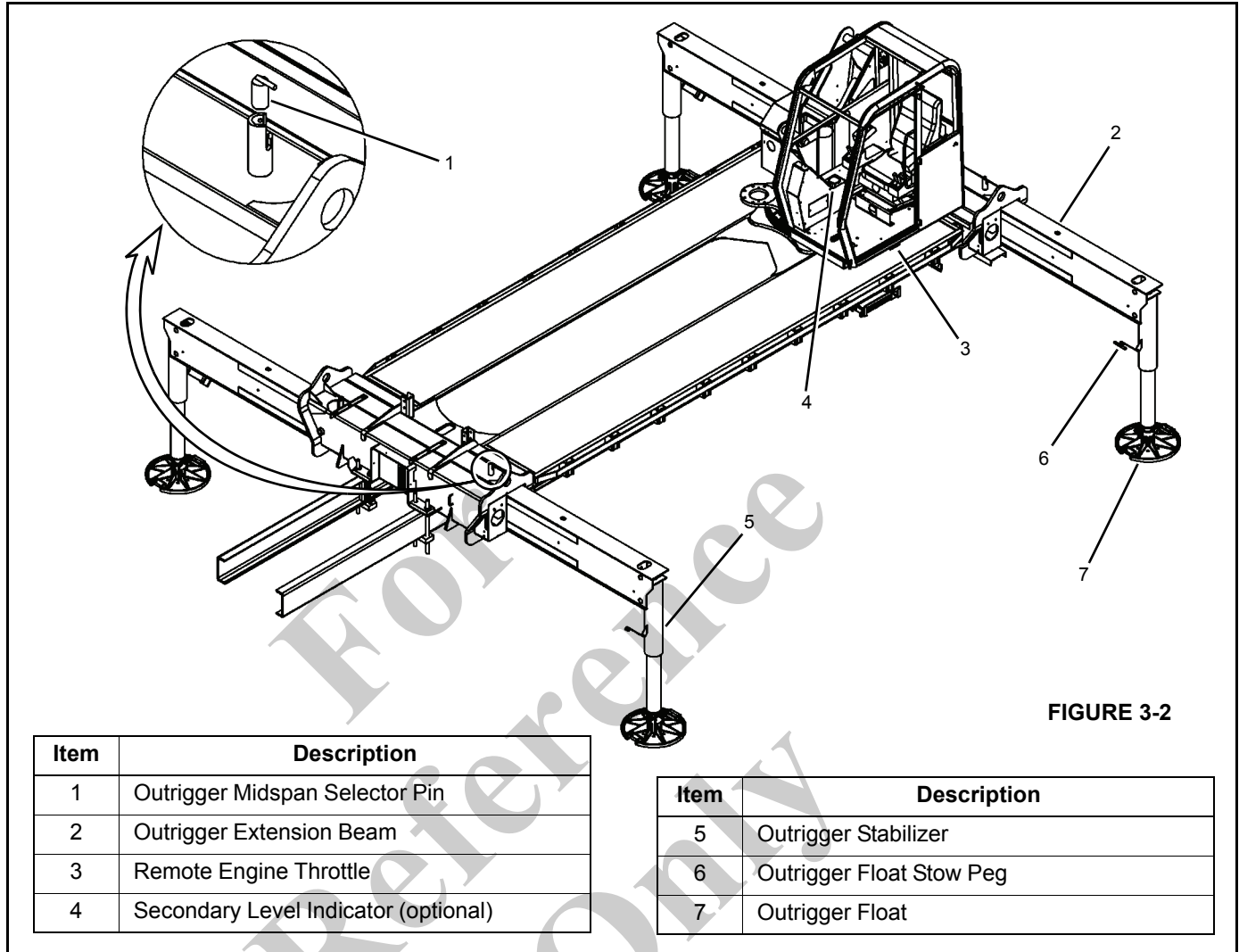


FIGURE 3-2

Item	Description
1	Outrigger Midspan Selector Pin
2	Outrigger Extension Beam
3	Remote Engine Throttle
4	Secondary Level Indicator (optional)

Item	Description
5	Outrigger Stabilizer
6	Outrigger Float Stow Peg
7	Outrigger Float

**CRANE CONTROLS**

The crane controls are located in the crane cab and are used for all crane functions. See (Figure 3-3) for crane cab item number (#) identification. For best control response, run the engine at governed RPM when operating the crane.

**NOTE:** The operator must be in the crane cab seat for the crane controls to operate properly.

**Hydraulic Oil Temperature Warning Light**

The Hydraulic Oil Temperature Warning Light (20) is located on the crane cab console and illuminates when the hydraulic oil overheats. If overheating occurs, run the crane at idle with the controls in neutral until the light goes out.

**CAUTION**

Do not operate the crane with overheated hydraulic oil or damage to seals in the hydraulic components may result.

**Crane Ignition Switch**

The crane ignition switch (3) is located on the crane cab console and controls the truck engine and crane cab power. The ignition switch has three positions. OFF shuts down engine and cab power, ON activates truck engine ignition as well as all cab power, and Start is truck engine start.

**Crane Function Power Switch**

The crane function power switch (5) is located on the crane cab console and is used to disable the crane functions for the armrest controls. This prevents inadvertent operation of the crane functions due to bumping. Push the switch to the ON position to enable the armrest controllers. The red LED in the switch is illuminated when the switch is in the ON position.

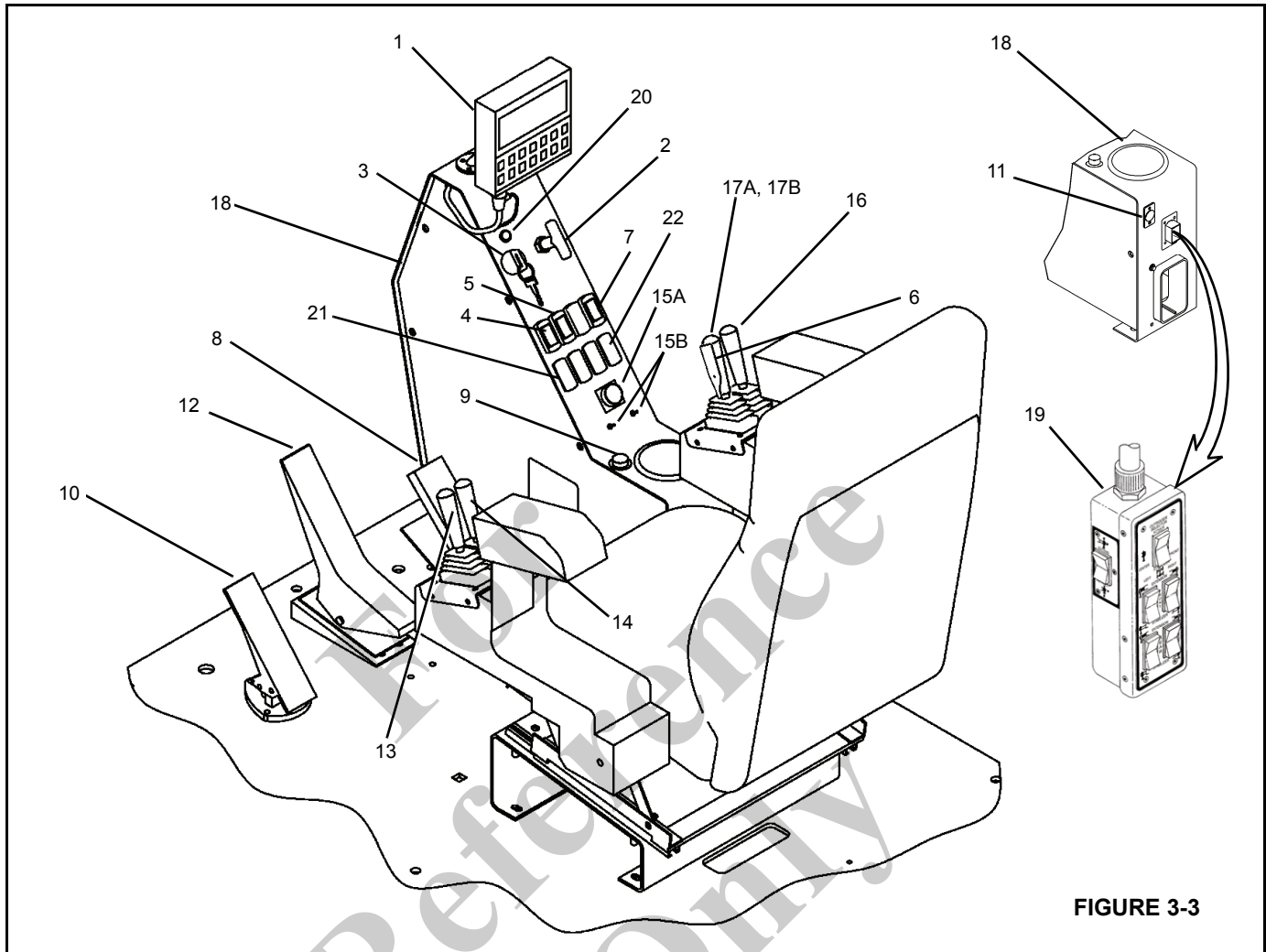


FIGURE 3-3

Item	Description
1	LMI Console
2	Hand Throttle
3	Crane Ignition Switch
4	Swing Horn Switch
5	Crane Power Switch
6	BOS Switch
7	Swing Brake Switch
8	Throttle Pedal
9	Secondary Level Indicator (Optional)
10	Swing Brake
11	Power Adapter (12V)
12	Telescope Pedal (Optional)
13	Swing Control Lever

Item	Description
14	Telescope Control Lever (Optional Wireline Control)
15A	Heater Controls
15B	Air Conditioner Controls (Optional)
16	Boom Lift Control Lever
17A	Hoist Control Lever
17B	Hoist Rotation Indicator (Optional)
18	Crane Cab Console
19	Crane Cab Outrigger Control Box (Optional)
20	Hydraulic Oil Temperature Warning Light
21	Radio Remotes Power Switch (Optional)
22	LMI Override Switch

## Swing Horn Switch

The swing horn switch (4, Figure 3-3) is located on the crane cab console. Push the switch to sound the horn button to warn fellow workers on the job site of pending movement of crane. An amber LED is illuminated when the switch is on.

## Swing Control Lever

The swing control lever (13, Figure 3-3) is located on the left armrest and controls boom rotation. Push the lever forward to rotate the boom clockwise and pull back to rotate the boom counterclockwise.

The swing control lever can be used to slow and stop the swing by moving the control lever to the opposite direction of the swing. For example, if the lever is pushed forward for a clockwise swing, pull the lever back to slow and stop the swing.

## Swing Brake Pedal

### CAUTION

Do not actuate the Swing Control Lever while the Swing Brake is engaged, as the turret may push through the brake. Damage to the swing brake can occur.

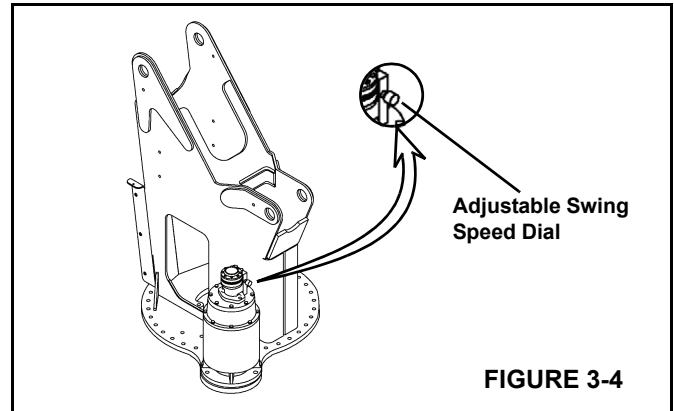
The swing brake pedal (10, Figure 3-3) is located on the left side of the crane cab floor. The brake pedal is used to activate the swing brake and momentarily hold the turret in position.

## Swing Brake Switch

The swing brake switch is located on the crane cab console and is used to activate the swing brake and park the turret in position. Press the switch to activate the swing brake to keep the turret from rotating. A red LED is illuminated when the swing brake switch is applied.

## Adjustable Swing Speed Valve

The crane is equipped with an adjustable swing speed valve (Figure 3-4) that sets the maximum swing speed of the machine. Loosen the lock collar and turn the dial clockwise to increase and counterclockwise to decrease speed. Secure the setting with the lock collar.



## Telescope Control Lever (Wireline Control)

The telescope control lever (14, Figure 3-3) is on the left armrest. Push the lever forward to extend the boom and pull back to retract the boom. If this machine is equipped with the wireline option this lever is used to feed and retract the wireline (see the Boom Telescope Pedal).

## Boom Telescope Pedal (Optional)

The telescope foot pedal (12, Figure 3-3) is located on the crane cab floor and is used to extend and retract the boom. Rock the pedal forward to extend the boom and back to retract the boom. This pedal is used with wireline machines, if this machine is not equipped with the wireline option the Telescope Control Lever (14) is used to extend and retract the boom.

## Hoist Control Lever

The hoist control lever (17, Figure 3-3) is located on the right armrest. Push forward to lower the load and pull the lever back to raise the load.

### DANGER

Payout loadline before extending boom. Failure to do so may cause the loadline to break or damage the crane.

## Burst of Speed (BOS) Switch

The BOS switch (6, Figure 3-3) is located on hoist control lever and is used to increase speed of the hoist. Press the switch to activate the BOS function.

## Hoist Rotation Indicator (Optional)

The hoist rotation indicator is located on top of the hoist control lever (17B, Figure 3-3). The indicator is electronically driven by a signal from an electronic transmitter and sensor attached to the hoist. A pulsating signal is sensed by the operator's thumb during hoist operation.

**Boom Lift Control Lever**

The boom lift control lever (16, Figure 3-3) is located on the right armrest and is used to raise and lower the boom. Push the lever forward to lower the boom and pull back to raise the boom.

**Boom Lift Control Pedal (Optional)**

The boom lift control pedal is located on the cab floor and used to raise and lower the boom. Rock the pedal forward to lower and back to raise the boom.

**Foot Throttle**

The foot throttle (8, Figure 3-3) is located on the crane cab floor and is used to control the engine speed. Depress the foot throttle to accelerate the engine speed and release to return to idle.

**Hand Throttle**

The hand throttle (2, Figure 3-3) is located on the crane cab console. Pull out and rotate to lock to accelerate engine. Turn to unlock and push in to return engine to idle speed. Increasing engine speed increases operating speed.

**Crane Cab Outrigger Control Box (Optional)**

The outrigger control box connector (19, Figure 3-3) is located at the bottom of the crane cab console. The connector provides power to the outrigger control box for outrigger operation from the crane cab.

**Radio Remotes Power Switch (Optional)**

The Radio Remotes Power Switch (21, Figure 3-3) is an On-N-On (momentary) style rocker switch, it must be pressed to the on position before the optional Radio Remotes can be used.

**LMI Override Switch**

The LMI Override Switch (22, Figure 3-3) is an On-N-On style rocker switch. Pressing the switch to the On position re-engages the boom down, telescope out and hoist up controls. These functions were disabled when an overload condition was sensed by the Load Moment Indicator (LMI). It is important to read and understand the LMI Override Warning information in the LMI Operator's Manual before using the LMI Override.

**Load Chart**

The load chart is stored in a pocket in the crane cab. The load chart contains lifting capacities of the crane in all allowable lifting configurations.

**Load Moment Indicator (LMI)**

The LMI provides the crane operator with the information required for the crane to perform safely within its design parameters. The LMI displays information on length and angle of boom, working radius, rated load, and total weight being lifted.

The LMI continuously monitors these parameters and provides the operator with an updated readout of the crane status. If a nonsafe condition is approached, the LMI warns the operator with an alarm and locks out the crane functions that can aggravate the situation.



The LMI only aids the operator when properly programmed with the proper load chart and crane configuration. To prevent injury or death to personnel, be sure the LMI is programmed before crane operation.

**CRANE CAB CLIMATE CONTROLS**

The cab climate controls (15) (Figure 3-3) are used to adjust the heating and air conditioning for operator comfort.

**Diesel Heater Controls**

The diesel heater controls (Figure 3-5) are as follows:

- The heat START switch (2) ignites the heater. The start sequence is:
  - The heater ignites and the fan starts at low speed.
  - The heater operating temperature is reached and switches to the boost mode.
  - The fan speed increases.
- The red LED (1) is on when the heater is in the heat mode.

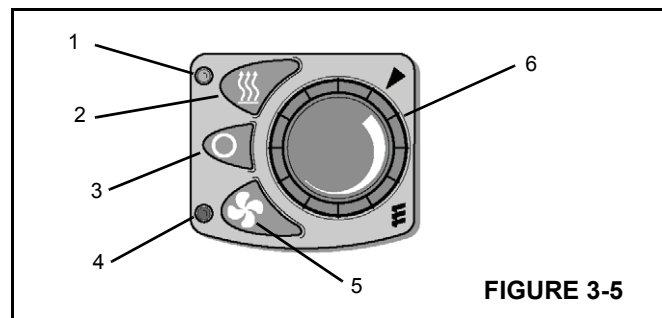


FIGURE 3-5

ITEM	DESCRIPTION
1	Heat ON LED
2	Heat Start Switch Heat Mode

ITEM	DESCRIPTION
3	Heater Unit OFF switch
4	Fan Ventilation LED
5	Fan ON Switch Ventilation Mode
6	Temperature Control Knob

**NOTE:** It takes about two minutes for the heater to reach operating temperature when first turned on.  
If the heater fails to ignite, check the fuel and the fuel line stopcock.

- The temperature control knob (6) regulates the cab comfort level. Turn the knob clockwise to increase the temperature, opposite to decrease. The temperature range is from 46°F (8°C) to 93°F (34°C). The heater cycles between High, Medium, and Low modes to keep the temperature setting.
- The FAN ON switch (5) turns on the fan without heat for air circulation to ventilate the cab. The blue LED (4) is on when the heater is in the ventilation mode.
- The OFF switch (3) shuts the heater down. If the heater is in heat mode, the shutdown cycle is initiated and the fan continues to run for about four minutes after the igniter goes out.

**NOTE:** If the heater is turned off and back on, the heater completes the shut down cycle before initiating the start up cycle.

**Heater Cold Weather Fuel Mixture**

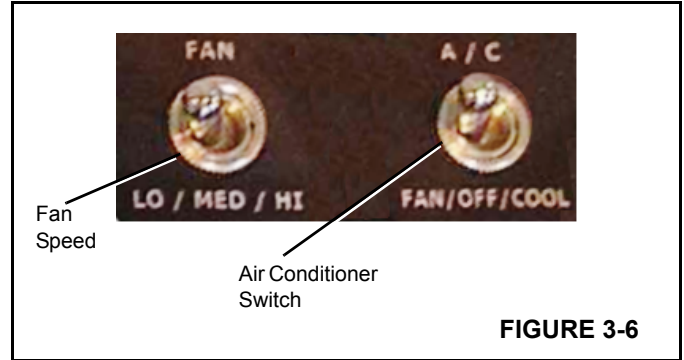
At temperatures below 20° F (-7° C), add a cold weather additive or mix kerosene with the diesel fuel at a 50/50 ratio.



Do not mix gasoline with diesel fuel.

**Air Conditioner Controls (Optional)**

The air conditioner (A/C) is controlled by two toggle switches on the crane cab console (Figure 3-6).



**FIGURE 3-6**

The FAN switch sets the fan speed and the A/C switch controls the air conditioner. The fan speed can be set to LO (low), MED (medium), or HI (high). Both the fan and air conditioner are on when the A/C switch is in the COOL position. Only the fan runs when the switch is in the FAN position.

Turn the fan switch to the HI position and the A/C switch to COOL when the air conditioner is first turned on. When the cab is comfortable, adjust the temperature by turning the fan switch to the low or medium position.

If the compressor cycles for only a few seconds at a time when the unit is first turned on, set the fan switch to the low position until the compressor continues to run. Then gradually switch to medium and high.

**OPERATING PROCEDURES**

You need to be familiar with the safety precautions outlined in SECTION 2 before operating the crane.

**Equipment Familiarization**

All members of the crew should become familiar with the location and operation of the controls, the correct operating procedure, the maximum lifting capacities, and the Safety Precautions in Section 2 of this manual. Carefully follow the operating procedures outlined below and the information in the load charts located in the crane cab.

**Crane Cab Access**

Pull the ladder out from under the crane cab door before entering the crane cab. Do not try to access the crane cab by other means. Take all precautions not to fall off the crane. Falling from any elevation can cause serious injury or death.

**Equipment Checks**

Prior to placing the unit in operation, do a complete walk-around visual inspection and look for structural damage, loose components, leaks, or other conditions that requires immediate correction for safe operation. The following

checklist of items are suggested to ensure the crane is prepared for performing work operations. Check:

- for any unusual conditions such as pools of hydraulic fluid or lubricating oil under the chassis, any outrigger which may have crept down or up and any signs of damage or improper maintenance.
- the tires are inflated to the proper pressure.
- the level of the hydraulic reservoir.
- the operation of the “stop” and horn circuits.
- for missing and loose bolts.
- for damaged structural members and welds.
- all rope guides and cable keepers.
- all sheaves for free turning.
- the hoist cable for kinks, broken strands or other damage in accordance with instructions on page 6-2.
- to see that the hydraulic hoses and fittings are in good condition and show no signs of leaking. The hoses should be free from cuts and abrasions and there should be no evidence of binding. Any damage or leakage should be repaired immediately.
- the LMI and anti-two-block system for proper operation.
- the electrical wiring connecting the various parts of the system for physical damage.

**NOTE:** Consult the truck manufacturer’s manual for vehicle checks.

**Cold Weather Operation**

The following recommendations are for operating National cranes in very low (i.e., sub-zero) temperatures.

Cranes should have appropriate hydraulic oil, lubricants, and other auxiliary items required for operation in sub-zero temperatures. Operate individual crane functions to ensure they are sufficiently warmed prior to performing a lift.

Operation of cranes at full rated capacities in temperatures between -18°C (0°F) and -40°C (-40°F) or lower should be accomplished only by competent operators who possess the skill, experience, and dexterity to ensure smooth operation. Shock loading shall be avoided.

***Derated capacities for each °C below -40°C***

Derate the rated load shown on the capacity charts 3.67 percent for each degree celsius below -40° C.

***Derated capacities for each °F below -40°F***

Derate the rated load shown on the capacity charts 2 percent for each degree fahrenheit below -40° F.

**Anti-two-block Check**



The following tests must be performed with caution to prevent damage to the machine or injury to personnel.

Check the anti-two-block alarm light and the audible alarm by lifting the anti-two-block weight until the switch is activated. To check the anti-two-block switch:

- manually lift the weight.
- slowly raise the hoist cable.
- slowly extend (telescope) the boom.



If the light and audible alarm do not function and the hoist does not stop, the system is not working properly and must be corrected before operating the crane.

If the crane is equipped with a jib that is deployed and rigged for work, repeat the test procedure for the jib anti-two-block switch.

**LMI Check**

Perform the following checks to verify proper LMI operation .

- Check that the display of the main boom length agrees with the actual boom length.
- Check that the display of the main boom angle agrees with the actual boom angles.
- Check that the display of the operating radius of the crane agrees with the actual radius.

Check the load display by lifting a load of known weight. The accuracy of the load indication shall be within the tolerance of SAE J159.



A deviation between displayed and actual values indicates a malfunction and a LMI service representative shall be called for repair and/or recalibration of LMI system.

## HOIST SYSTEM OPERATION

The hoist may have lifting capabilities greater than that of the crane limits. Therefore, care must be taken to ensure that the load lifted is within the crane rating. General rules for hoist operation are:

- Unwind the hoist when extending the boom.
- Use the anti-two-block system only as an aid.
- Make sure the rope is not twisted or kinked and that it is properly seated in the hoist and in sheaves.
- Always have at least three full wraps of cable on the hoist.
- Check the hoist brake when approaching the load limit of the hoist. Raise the load a few inches and return the control to neutral to check the brake.
- Do not drag the load with the hoist.
- Do not try to lift loads that are not free such as, frozen down material or poles.
- Keep tension on the rope to prevent it from becoming twisted, kinked, or improperly seated on the hoist.

### Hoist Burst of Speed Operation

The Burst of Speed (BOS) increases hoist line speed over normal operation. The BOS is activated by a switch located on the hoist control lever.

#### CAUTION

If the BOS feature is run continuously or with an overload, damage to the crane or truck could occur.

To start the BOS, depress the BOS switch and operate the hoist lever on the armrest.

**NOTE:** Maximum Capacity with "BOS"

- One Part Line - 3000 lbs. (1361 kg)
- Two Part Line - 6000 lbs. (2722 kg)
- Three Part Line - 9000 lbs. (4082 kg)
- Maximum line speed on third layer - 240 FPM (73 mpm), fourth layer - 265 FPM (81 mpm)

## WORK SITE LOCATION

Select a location that is firm, level, and dry. Avoid uneven, rocky or muddy terrain, steep grade or locations with overhead obstructions. The outrigger stabilizers must be supported on a firm level surface at the fully retracted, mid-span, or fully extended positions. Avoid overhead power lines.

## Before Leaving the Truck Cab

- Position the truck so that the outriggers can be extended with no obstructions.
- Position the truck transmission to neutral.
- Set the truck park brake. Wheel chocks may also be required.
- Engage the power takeoff.
- Turn the truck cab switch to OFF.



#### DANGER

Truck must be in neutral when starting engine from crane cab to avoid sudden potential movement of truck.

## Before Making the Lift

- Set the outriggers as described in the Crane Set-up section in this manual.
- Program the LMI as specified in the LMI Operator's Manual which is located in the crane cab.
- Check all controls for proper operation. If any abnormal operations are detected, the condition must be corrected before continuing.
- Check the work area for electric power lines.

## LOAD CHART

Your unit is designed to provide satisfactory service if it is not loaded in excess of the maximum rated loads specified in the load chart. Overloading can create safety hazards, cause structural damage, and shorten the service life of the crane. You must understand how to use the load charts located in the crane cab. Make sure the load, the working area, and the crane configuration are within the load limit specified in the load chart.

**NOTE:** Load handling devices (hook blocks and slings) are considered part of the load.

## Using the Load Chart

The following list is a definition of terms needed when using the load chart.

- **Load Radius** - The horizontal distance from the centerline of rotation, before loading, to the center of the vertical load line or block. This distance is slightly greater with an unloaded boom due to deflection.
- **Loaded Boom Angle** - The loaded boom angle is the angle between the first section boom and the horizontal with the load. The loaded boom angle combined with the boom length approximates the operating radius.

- **Working Area** - The area measured in a circular arc above the center line of rotation to the suspended load. If no decal is present the work area is 360°.
- **Freely Suspended Load** - The load hanging free with no direct external force applied except by the loadline.
- **Side Load** - Horizontal side force applied to the lifted load either on the ground or in the air.
- **Boom Length** - The length from boom pivot pin to the boom nose. Decals on either side of the boom shows when specific boom lengths are reached.
- **Range Diagram** - The range diagram (Figure 3-9) shows the operating radius and height of the unloaded boom nose at all boom lengths and angles. It should be used as a guide to position unloaded loadline and to determine to approximate height to which the load can be lifted.
- **Structural Limit Line** - Is contained in the range diagram (Figure 3-9). It shows the lowest angle the unloaded boom can be placed at for all boom lengths. Below this line the machine is structurally overloaded.

The load chart contains the lifting capacities of the crane in all allowable lifting configurations. The information is presented in three parts, one for outriggers fully retracted, one for outriggers at mid point, and one for the outriggers fully extended. Each part contains the load chart, range diagram, and hoist data sheet. In the examples shown here, the information for the outriggers fully extended is used.

**NOTE:** The load charts shown in this manual are examples only. See the load charts attached to the crane for actual values.

- The load chart (Figure 3-8) is used to determine the weight limit of the load based on the load radius and boom angle. All lifting devices must be included when determining the weight of the load.
- The range diagram (Figure 3-9) shows the operating radius and the height from horizontal of the unloaded boom.
- The hoist data chart (Figure 3-10) shows hoist capacity and multipart line reeving. The correct reeving for all loads listed in the load chart is also shown.

Before you can determine the crane configuration you need to know:

- the weight of the payload.
- the lifting devices needed.
- the height of the lift.
- the horizontal distance from the center of rotation (load radius) to where the load is to be placed.

To determine the safe operating parameters you need to:

1. Get the weight of the payload.
2. Approximate the load radius. This is the horizontal distance from crane center of rotation to where the payload is to be placed.
3. Determine the lifting devices and hook block reeving using the hoist data chart.
4. Calculate the combined weight of the lifting devices and payload.
5. Determine the boom angle and length from the range diagram using the height and load radius of the lift.
6. In the load chart, take the load radius and boom angle/length column over to the weight column and check the weight. If the weight is between two values, use the lower value.

## LIFTING THE LOAD

The following general guidelines outline the proper procedure for making a lift after the crane has been properly set up.

1. Position the crane in the work area and set the outriggers. See page 4-1 for outrigger setup.
2. Program the LMI. Use the load chart to estimate the values.
3. Position the boom nose over the load. Do not try and drag the load with the boom or hoist.
4. Perform the lift. Meter the controls when moving the load to avoid sudden stops.
5. Retract and lower the boom after the lift is complete.

## SHUT DOWN AND PREPARATION ROAD TRAVEL

1. Retract and place the boom in boom rest with the hook block slightly ahead of the front bumper.
2. Retract the front stabilizer.
3. Retract the outriggers and stabilizers.
4. Remove the stabilizer pads and place on the stowage brackets located on the side of the stabilizer.
5. Connect the hook block to the tie-down cable so that it cannot swing freely.
6. Secure the hook block and anti-two-block weight:
  - a. Slowly hoist up until there is a slight tension on the hoist cable. It may be necessary to override the anti-two-block function to tension the cable.

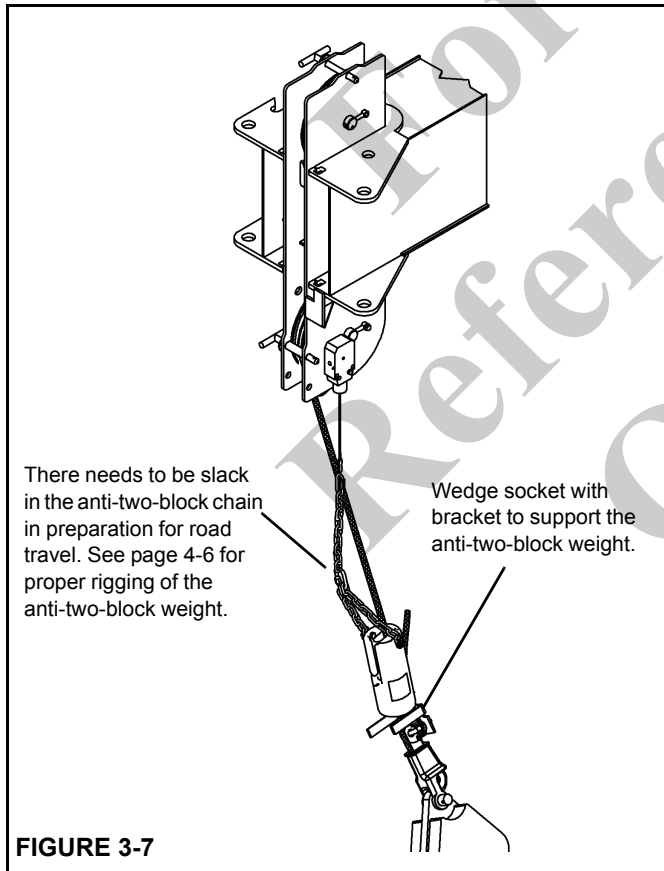


- b. The the anti-two-block weight needs to be resting on the wedge socket so that there is slack in the anti-two-block-chain.

**NOTE:** There needs to be enough slack in the anti-two-block chain so that the anti-two-block switch does not switch between open and close during travel.

If the chain is too tight, road bounce causes the anti-two-block switch to open and close numerous times and this can damage the switch.

7. Turn off the ignition and all other switches in the crane cab.
8. Exit the cab, lock the door, and stow the access ladder.
9. Secure any loads or lifting devices on truck bed or body.
10. Disengage the Power Take Off (PTO) and start truck from the truck cab.
11. Release the park brake before moving truck.



## Unattended Crane

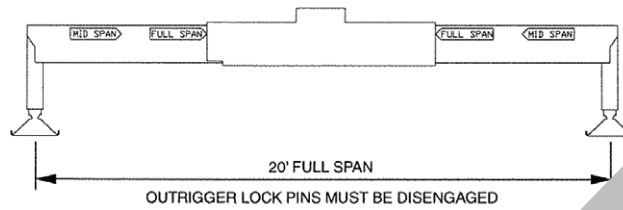
### **WARNING** Tipping Hazard!

Changing weather conditions including but not limited to: wind, ice accumulation, precipitation, flooding, lightning, etc. should be considered when determining the location and configuration of a crane when it is to be left unattended.

Failure to comply with these instructions may cause death or serious injury.

The configuration in which the crane should be left while unattended shall be determined by a qualified, designated individual familiar with the job site, configuration, conditions, and limitations.

**13105  
105' BOOM  
48' JIB**



**FULL-SPAN  
OUTRIGGER**

**31 TO 105 FOOT BOOM RATED LOADS WITH 48' JIB**

LOAD RADIUS (ft)	LOADED BOOM ANGLE	31 ft BOOM (lb)	LOADED BOOM ANGLE	45 ft BOOM (lb)	LOADED BOOM ANGLE	60 ft BOOM (lb)	LOADED BOOM ANGLE	75 ft BOOM (lb)	LOADED BOOM ANGLE	90 ft BOOM (lb)	LOADED BOOM ANGLE	105 ft BOOM (lb)
5	79.4	60,000										
8	73.1	38,400	79.3	30,000								
10	68.9	31,800	76.8	29,100								
12	64.6	27,300	74	24,800	78.8	22,300						
14	60.2	23,700	71.2	21,700	76.8	19,500						
16	55.6	21,000	68.4	19,200	74.8	17,000						
20	45.5	16,700	62.6	15,600	70.7	14,000						
25	29.1	12,200	54.8	12,500	65.4	11,000				10,800	80.2	7,700
30			46.3	10,200	59.1	9,400				7,800	75	6,500
35			36.1	8,200	53.1	7,950				6,500	72.2	5,700
40			23.5	6,100	49.1	6,500				5,550	69.3	5,000
45					40.1	5,250				4,800	66.2	4,300
50					32.2	4,200				4,200	63.1	3,800
55					25.3	3,300				3,700	60	3,400
60										3,200	56.6	2,950
65										2,750	53.2	2,650
70										2,200	49.5	2,300
75										1,800	45.5	1,850
80										1,400	41.2	1,450
85										800	36.5	1,150
90											31.2	850
95											24.8	600
0			0	2,400	0	900						

**27 TO 45 FOOT BOOM RATED LOADS**

LOAD RADIUS (ft)	LOADED BOOM ANGLE	31 ft BOOM (lb)	LOADED BOOM ANGLE	45 ft JIB (lb)
30	78.6	4,000	78.8	2,400
35	76.5	3,800	77.1	2,250
40	74.4	3,400	75.4	2,150
45	72.1	2,900	73.6	2,000
50	69.8	2,500	71.7	1,800
55	67.4	2,100	69.7	1,650
60	65	1,800	67.7	1,450
65	62.5	1,500	65.6	1,300
70	60	1,300	63.4	1,100
75	57.4	1,100	61.2	900
80	54.7	900	59	800
85	51.8	700	56.7	700
90	48.8	500	54.2	550
95				

**RATED LOAD REDUCTIONS WITH JIB**

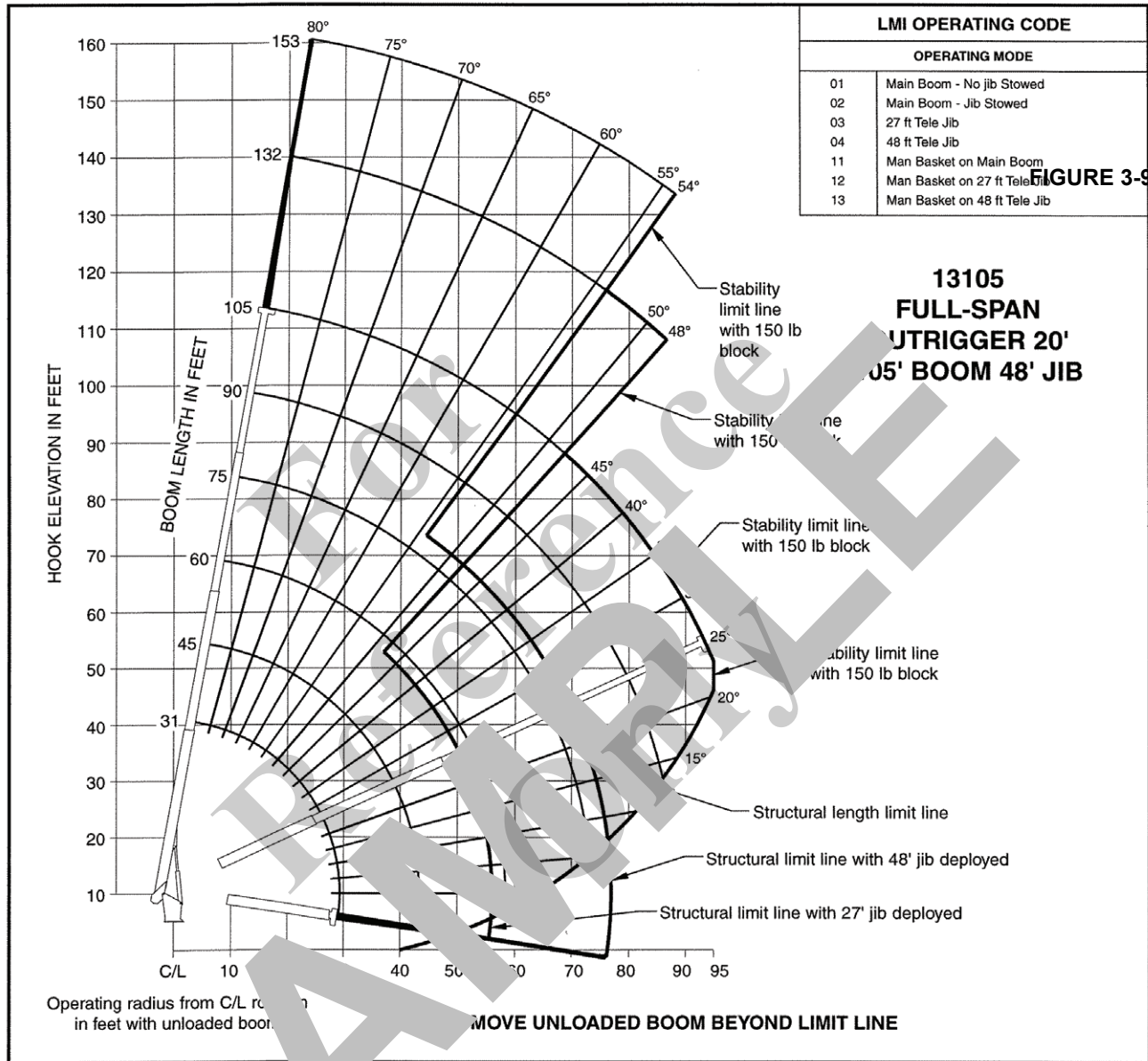
BOOM LENGTH	48' JIB STOWED
31'	Reduce load 850 lb
45'	Reduce load 600 lb
60'	Reduce load 450 lb
75'	Reduce load 350 lb
90'	Reduce load 300 lb
105'	Reduce load 250 lb

\* See owners manual. Also the 60,000 lb load requires optional 9/16" diameter 6x25 IWRC cable.

**Note:**

1. All capacities are in pounds, angles in degrees, radius in feet.
2. Loaded boom angles are given as reference only.
3. Shaded areas are structurally limited capacities.
4. Handling of personnel is only permitted with full extension of all outrigger beams.

**FIGURE 3-8**



**SET-UP**

1. Fully extend and set outriggers to span location, level crane and set front stabilizer if equipped.

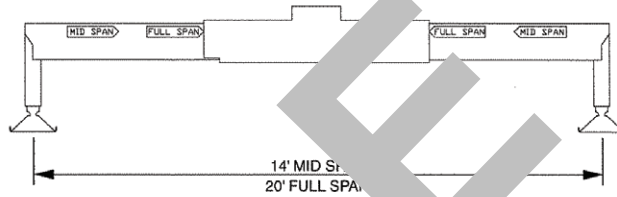
**OPERATION**

1. The capacity length capacities are based on boom fully retracted. If not fully retracted, do not exceed 45 ft. boom length capacities.
2. Do not extend unloaded boom or jib beyond stability limit line on range chart as loss of stability may occur.
3. Load blocks and cables are considered to be a part of the load.
4. Operate with jib extended when main boom is fully extended and by boom angle when main boom is partially extended. Do not exceed jib capacities at any partially extended boom length.
5. All jib loads must be lifted with single part reeving.

### INFORMATIONAL DATA

**OUTRIGGERS**

1. Outrigger spread from center to center of outrigger floats at mid span is 14' and at full span is 20'.
2. No outrigger pad load exceeds 50,000 pounds maximum at full span or 60,000 pounds maximum at mid span.



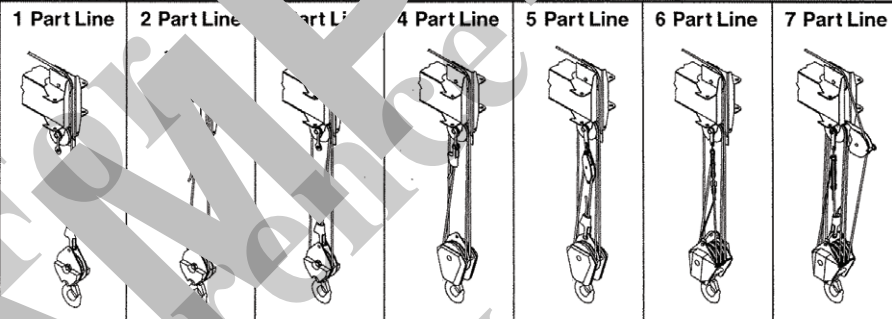
**WEIGHT REDUCTIONS FOR LOAD HANDLING DEVICES** (See load chart for jib deductions)

1. Hook blocks are rated at maximum capacity for the block. Do not exceed rated cable pull with any block

3.85 Ton	Downhaul Weight	150 lb
11.55 Ton	1 Sheave Block	200 lb
15.5 Ton	2 Sheave Block	355 lb
20 Ton	3 Sheave Block	575 lb

**NOTICE**

- Do not deadhead line block against boom tip when extending boom.
- Keep at least 3 wraps of loadline on drum at all times.
- Use only 9/16" diameter rotation resistant cable with 38,500 pounds breaking strength on this machine.



Maximum boom length at maximum elevation with rigging shown with load at ground level	105'	97'	79'	54'	43'	36'	31'
---	------	-----	-----	-----	-----	-----	-----

Winch	Cable Size	Average Breaking Strength	Lift and Speed	Lift and Speed	Lift and Speed	Lift and Speed	Lift and Speed	Lift and Speed	Lift and Speed
Standard Planetary Winch Low Speed	16" rotation resistant 18 x 19 IWRC	38,500 lb	7,700 lb 164 fpm	15,400 lb 82 fpm	23,100 lb 55 fpm	30,800 lb 41 fpm	38,500 lb 33 fpm	46,200 lb 27 fpm	53,900 lb 23 fpm
Standard Planetary Winch High Speed	9/16" diameter rotation resistant 18 x 19 IWRC	38,500 lb	3,000 lb 265 fpm	6,000 lb 132 fpm	9,000 lb 88 fpm	12,000 lb 66 fpm	15,000 lb 53 fpm	18,000 lb 44 fpm	21,000 lb 38 fpm

All winch pulls and speeds are shown on the fourth layer. Winch line pulls would increase on the first, second, and third layers. Winch line speed would decrease on the first, second, third and fourth layers. Winch line pulls may be limited by the winch capacity or the ANSI 5 to 1 cable safety factor. These are shown below:

<b>Winch</b> Standard planetary	<b>Full Drum Pull</b> 3,000 pounds (high speed) 7,700 pounds (low speed)	<b>Allowable Cable Pull</b> 7,700 pounds
------------------------------------	--	---

FIGURE 3-10

## SECTION 4

### SET-UP

This section contains information on how to perform the following tasks:

- Set the outriggers.
- Erect the jib.
- Stow the jib
- Remove the jib
- Use multipart reeving.
- Install the hoist cable.
- Install the anti-two-block weight.
- Install a wedge socket.

#### DANGER

Do not operate outriggers unless they are visible to either the operator or a designated signal person to avoid crushing injury.

## OUTRIGGER SETUP

### Site Selection

The outrigger floats must be on a firm solid surface that is level. The surface must keep the crane stable and not allow the stabilizer float to sink or slide. Avoid areas that are:

- uneven
- rocky
- muddy

**NOTE:** Use the primary level indicator in Section 3, (Figure 3-1) to verify the accuracy of the secondary level indicators (Figure 3-1 and Figure 3-2).

To adjust the secondary level indicator:

- Level the crane with the outriggers using the primary level indicator.
- Adjust the secondary level indicator with the adjustment screws so that the bubble is in the center (Figure 4-1).

### Setting the Outriggers

The outrigger setup procedure is as follows:

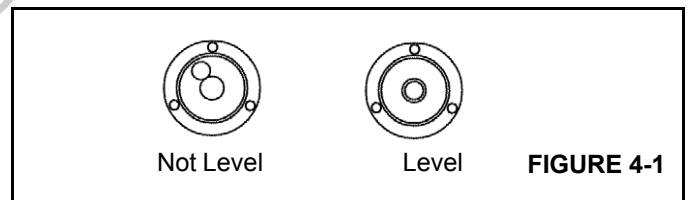
1. Remove the outrigger control box from the stowage compartment at the rear of the truck Section 3 (Figure 3-1).

2. On the outrigger control box, select the desired outrigger beam with the extension switch and press the extend/retract switch to extend the outrigger beam.
3. Set all four outrigger beams to:
  - a. the fully retracted position. Does not require the outrigger beams to be extended.
  - b. the midpoint position. Engage the manual midspan over-center locks for the midpoint position.
  - c. the fully extended position.

#### DANGER

All four outriggers must either be fully retracted, at the midpoint, or fully extended, and the LMI set to the correct position. Failure to do so creates a tipping hazard.

4. Remove the outrigger floats from the carrying brackets and place the floats under the stabilizer.
5. Select the desired stabilizer with the stabilizer selector switch and press the extend/retract switch to extend the stabilizer.
6. Secure the outrigger floats to the stabilizers with the pins and clips.
7. Extend all four stabilizers until the truck tires are about four inches off the ground.
8. Using the level indicator, adjust the stabilizers until the bubble is in the center of the bulls eye. Do not allow the tires to touch the ground.



9. Lower the center front stabilizer only after all other stabilizers are set. Press the front stabilizer switch to activate and the extend/retract switch to extend. Hold the extend/retract switch for two seconds after the stabilizer contacts the ground. The front stabilizer is automatically set at the correct ground pressure.

#### DANGER

After the center front stabilizer is set, it automatically retracts if any other stabilizer is adjusted. Reset the center front stabilizer if this occurs.

**! WARNING**  
**Tipping Hazard!**

The mid-extend outrigger beam lock pin must be engaged before operating on any beam from the mid-extend position.

The proper load chart and LMI program must be selected for the current outrigger configuration.

**Outrigger Monitoring System (OMS) (Optional—Standard in North America)**

The Outrigger Monitoring System (OMS) aids the operator in programming the Load Moment Indicator (LMI) by indicating the position of each outrigger beam. The OMS uses four sensors, one per outrigger beam, to indicate when an outrigger beam is positioned to one of three pre-defined locations, including fully retracted, mid-extend, and fully extended.

Set up of the outriggers is the same for cranes equipped with OMS; See "Setting the Outriggers" on page 1.

On cranes with OMS the symbols for the outriggers will display on the LMI screen, refer to Figure 4-2. The outriggers' configuration are **indicated only**, the operator must program the positions of the outriggers into the LMI.

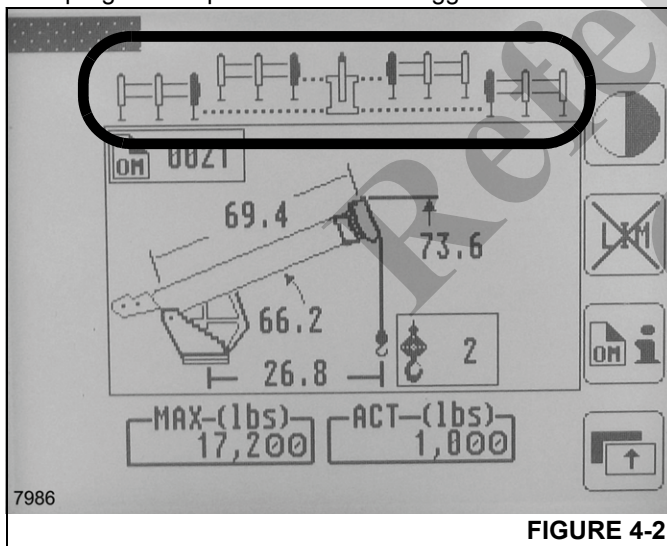


FIGURE 4-2

**JIB SAFETY INFORMATION**

1. Only use the model 1300A jib on the 1300A boom. Do not try to use another model's jib. Other model jibs can be overloaded and collapse on the 1300A boom.
2. The anti-two-block switch weight and cord must be attached to the jib when deployed.
3. Do not lift load with the boom tip when the jib is pinned on the boom tip.

4. Operate with jib by radius when main boom is fully extended. If necessary, increase boom angle to maintain loaded radius.

When radius is between points listed on capacity chart, the load shown at the next longer radius shall be used.

5. Operate with jib by boom angle when main boom is not fully extended. Do not exceed rated jib capacities at any reduced boom lengths.

When angle is between points listed on capacity chart, the load shown at next lower boom angle shall be used.

6. Ensure jib is stowed correctly (Figure 4-3):
  - a. Removal of swing around pins, C1, without proper installation of stow pin A and jib swing pin B, may allow jib to fall off.
  - b. Extending boom with jib stowed and failure to remove swing pins, C1, will damage unit upon extension.
7. Only swing jib into working or stowed position when boom is horizontal, stow pin A and jib swing pin B, are removed and swing pins, C1, are in place. Jib could swing uncontrollably if boom is not horizontal.
8. Crane shall be fully set up according to proper set-up procedures outlined previously when stowing or unstowing jib.
9. Operate boom and turn functions very slowly and carefully when using jib since jibs can increase boom length by 50%.
10. Area where jib swings around must be clear of obstructions and power lines when stowing and unstowing jib.
11. Use safety glasses when pounding pins with hammer.
12. Do not extend/retract boom unless boom is horizontal when stow pin A and jib swing pin B are removed during stowing or unstowing procedures.
13. Always put spring clips in pins to ensure that they will stay in place.
14. When the jib is stowed, the boom can not be fully retracted if a boom tip attachment option is installed.

**! CAUTION**

- Boom tip attachment can contact jib in stowed position when boom is fully retracted.
- Contact can cause damage to boom extension system and jib stow system.
- Boom must be left extended .5 ft (.2 m) to prevent contact.
- Boom attachment must be removed for retracted boom lifting operations.

878977

Also, on manually extendable jib options:

1. Extension retaining pin, E, must always be installed when operating.
2. All swing around (stow and unstowing) operations shall be done with jib retracted and pinned.
3. Extendable section may slide out of 1<sup>st</sup> section jib when pin, E, is removed. Keep personnel clear of area.

## SIDE FOLDING-SWING AROUND JIB OPERATION

### Deployment Procedure

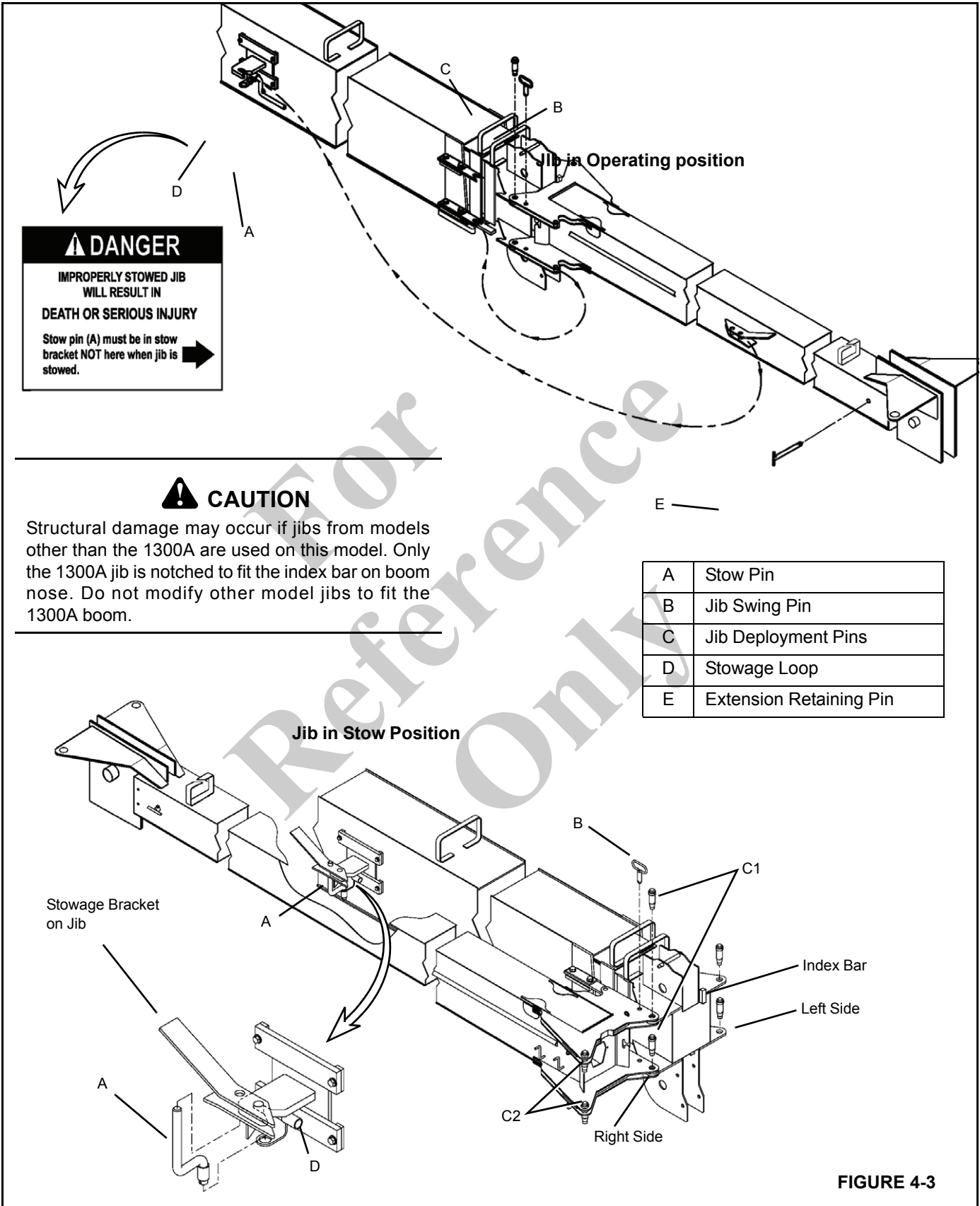
1. Using boom telescope function, fully retract boom.
2. Using lift function, lower boom so that jib deployment pins C1 and C2 are easily accessible from the ground.

**NOTE:** When lowering the boom below horizontal, two persons may be required. With the telescope

control in neutral, the boom may creep out when below horizontal.

3. Install pins C1 in upper and lower jib ears. Install retainer spring clips. These pins are used as a pivot point to swing jib into the deployed position.
4. Locate the stowed position of pins C2. If in jib attachment holes or boom sheave case jib holes, remove pins from storage location.
5. Remove jib swing Pin B from top ear of jib.
6. Remove stow Pin A from ramp/side stow bracket assembly on jib and stow in Stow Loop D and install spring clip.
7. Attach tag line to sheave case end of jib.
8. Using the lift function, raise the boom to the horizontal position.
9. Using telescope function, slowly extend boom approximately one foot. This procedure will pull the jib out of the side stow bracket.

For Reference Only

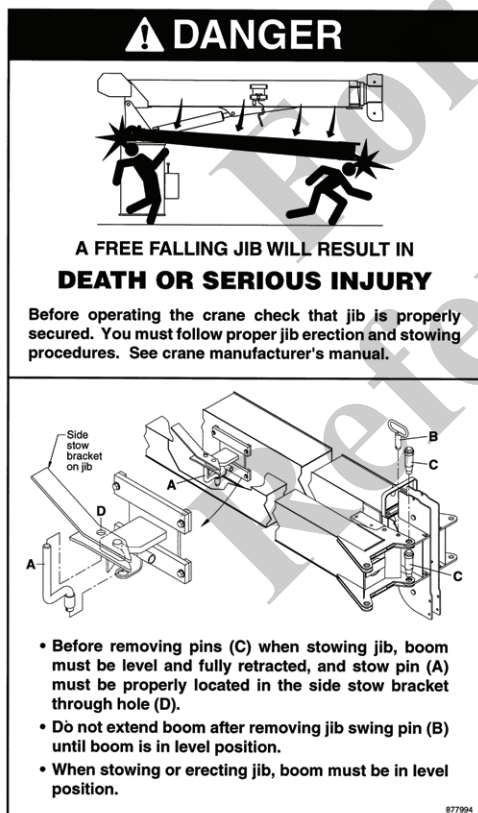




## ⚠ CAUTION

Use caution during this step. The jib is free to swing away from the boom upon boom extension.

10. Using tag line, swing jib into deployed position.
11. Remove cable keeper pins from boom sheave case and jib. Remove hook block. Pivot jib slightly to allow for loadline to be removed from boom sheave case. Remove loadline from boom sheave case and place in an area to minimize possible damage.
12. Pivot jib into place, visually aligning the upper C2 pin holes. Install upper C2 pin and spring clip. A slight hammer strike may be necessary to install pins. Always use proper eye protection during this step.



13. Using jib jack, position jib so that lower C2 pin holes are in alignment and install lower C2 pin and spring clip.
  - a. Remove the jack handle and check that the jack release valve is closed.
  - b. Extend the jack so that the lower C2 pin holes are aligned.
  - c. Install the lower C2 pin and spring clip.
  - d. Open the jack release valve and retract the jack.

14. Using hoist function, unspool enough loadline to reeve loadline over jib sheave case. Keep slight tension on loadline to avoid bird caging of loadline on hoist drum.
15. Route loadline over jib sheave and install keeper. Install line block to end of loadline.
16. Remove anti-two-block switch and weight/chain assembly and install on jib tip. Be certain to use keeper provided with switch.
17. Disconnect twist lock quick coupler on anti-two-block cord going to boom anti-two-block switch and attach to quick coupler on jib anti-two-block wire on rear of jib between the upper and lower jib ears.
18. Install jib swing pin B and spring clip into jib ears.
19. For manually extendable jibs, pull extension retaining pin E, and extend second section out by pulling on sheave case. The second section jib, as it extends, will hit a mechanical stop that allows for extension pin E installation. Install pin E and spring clip.
20. Make ATB cord connections as required.

## Stowing Procedure

1. Using lift function, lower boom so that jib deployment pins C1 and C2 are easily accessible from the ground.

**NOTE:** When lowering the boom below horizontal, two persons may be required. With the telescope control in neutral, the boom may creep out when below horizontal.

2. For manually extendable jibs, pull extension retaining pin and fully retract extendable 2<sup>nd</sup> section jib into the 1<sup>st</sup> section. Retraction of 2<sup>nd</sup> section may be facilitated by attaching loadline wedge socket to jib nose. Slowly activate the hoist up function until the 2<sup>nd</sup> section is fully retracted.
3. Reinstall extension retaining pin through the 1<sup>st</sup> and 2<sup>nd</sup> section jib assembly and install spring clip.
4. Remove loadline from jib sheave case. Place loadline in area to avoid possible damage from stow procedure.
5. Disconnect twist lock anti-two-block wire connector at rear of 1<sup>st</sup> section jib. Connect twist lock connector to anti-two-block switch connector on boom tip. Move weight/chain assembly to boom tip.
6. Attach tag line to sheave case end of jib.
7. Remove spring clips from pins C2 on both upper and lower jib ears.
8. Remove jib swing pin B from the boom nose.
9. Remove pins C2 from upper and lower jib ears. Do not remove C1 pins at this time. C1 pins will be used as a pivot point to swing jib into stow position. A slight

hammer strike may be necessary to remove pins. Always use proper eye protection during this step.

10. Raise the boom to the horizontal position.
11. Extend boom approximately 1 foot (.3m).
12. Using tag line attached to jib sheave case, slowly swing jib into stow position (parallel with 1<sup>st</sup> section boom), Pins C1 are the jib pivot points during this operation.

### CAUTION

Use caution when swinging jib to avoid unnecessary impact with 1<sup>st</sup> section boom.

13. Install jib swing pin B with spring clip through jib ear and boom sheave case holes. This pin will keep the jib assembly in line (parallel) with the 1<sup>st</sup> section boom. Jib swing pin B does not retain the jib in its stowed position on the 1<sup>st</sup> section boom.
14. Using boom telescope function, slowly retract boom. The ramp/side stow bracket assembly on the side of the 1<sup>st</sup> section jib will engage the hook on the side of the 1<sup>st</sup> section boom, first lifting the jib and then engaging the jib side stow bracket and the boom hook completely upon full retraction of the boom.
15. Install stow pin A with spring clip into the ramp/ side stow bracket assembly on the jib. Complete engagement of stow brackets and proper installation of pin A is critical for secure jib stow attachment.
16. Remove pins C1 from upper and lower jib ears. A slight hammer strike may be necessary to remove pins. Always use proper eye protection during this step.
17. Reinstall loadline over boom sheave case.

### DANGER

Visually check all pin positions and make sure the jib is fully retracted into side stow brackets, jib stow attachment is secure, and all pins and spring clips are in their proper locations. Failure to properly secure the jib during stowing and erecting may allow the jib to fall. Serious personal injury or death could result.

Always have at least one, if not both of the following in place at all times:

- Side stow bracket completely engaged into stow hook with stow pin A properly in place.
- Both pins C1 in upper and lower jib holes properly in place through mating holes on boom tip.

### CAUTION

The 44 foot jib weights 1470 pounds (667 kg) at 147 inches (374 cm) when retracted from mounting pin holes.

### JIB REMOVAL

Should jib removal from the boom become necessary, proceed as follows:

1. Unstow and swing jib into position on the boom tip according to Steps 1 - 10 in the preceding jib deployment section.
2. Support and raise the jib at its balance point and remove the two swing around pins. Jib is now free of boom.
3. To install, proceed in reverse order of removal.

When the jib is stowed on side of crane, always leave the ram and handle sleeve of the jib jack pushed all the way down to reduce exposure to rusting.

### Jib Maintenance

1. Lubricate as outlined in SECTION 5.
2. Check for free rotation of jib sheave daily when using jib.

### ANTI-TWO-BLOCK WEIGHT INSTALLATION

To prevent the hoist cable from slipping out of the anti-two-block weight, rig the weight as shown in Figure 4-4.

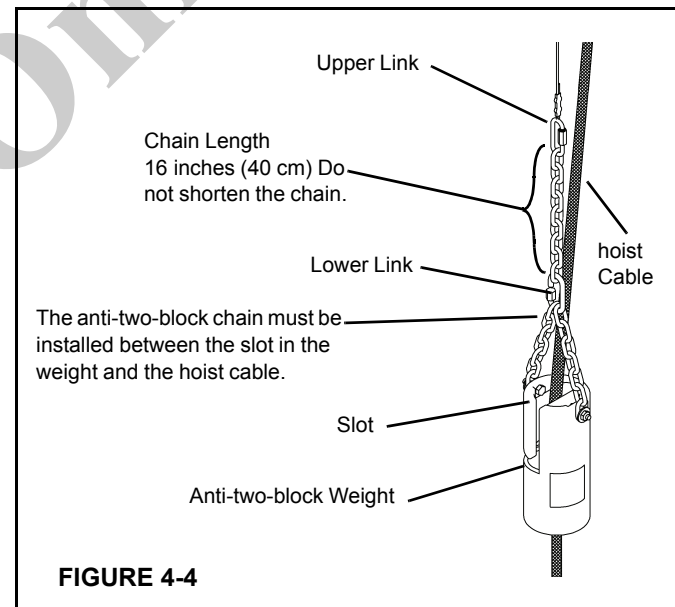


FIGURE 4-4

### MULTIPART LINE REEVING

Multipart line reeving enables greater loads to be lifted than can be lifted with single part line. However, loads are limited by the stability and structural integrity of the crane. The load must be within the limits contained in the load chart.

#### Using Multiple Part Lines

The hoist data chart provides information for pull limitations on the hoist with various multipart reevings. These ratings are based on providing the proper operating safety factor on the cable supplied with the machine. Therefore, any replacement rope must meet the cable specification in this manual.

#### Lifting A 30 Ton (60,000 Lbs) Load


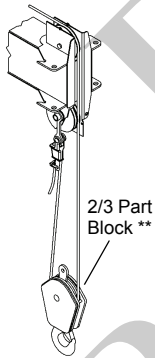
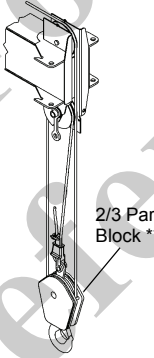
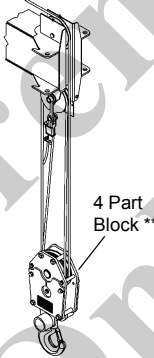
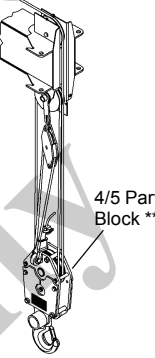
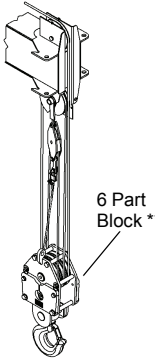
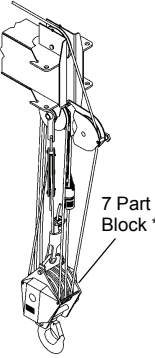
The 1300A is rated to lift 60,000 lbs (30 ton) at a 5 ft radius with all booms retracted with a seven part block. To make this

lift the crane must be equipped with optional 6 x 25 IWRC wire rope with a rated breaking strength of 33,600 lbs. This rope is required to have the appropriate 3.5:1 safety factor.

It is also necessary to increase the hoist system hydraulic pressure relief valve from 3,300 psi (+100/-0) to 3,450 psi (+100/-0). See the Service manual. This is required to increase the hoist pull to 8,600 lbs pull to achieve the 60,000 lbs (30 ton) lift with seven part rigging.

All components on the crane are rated for intermittent operation under these conditions. After this lift is completed the hoist operating pressure must be reduced back to 3,300 psi.

Continuous operation of the hoist hydraulic system at nominal pressures greater than 3,300 psi will shorten the life of hydraulic components and void their warranty.

1 Part Line	2 Part Line	3 Part Line	4 Part Line	5 Part Line	6 Part Line	7 Part Line
						
Maximum Pull 7,700 Lbs	Maximum Pull 15,400 Lbs	Maximum Pull 23,100 Lbs	Maximum Pull 30,800 Lbs	Maximum Pull 38,500 Lbs	Maximum Pull 46,200 Lbs	*Maximum Pull 53,900 Lbs
<p>* 60,000 Lbs Load Requires Optional 9/16" Diameter 6 x 25 IWRC Cable</p> <p>** The hook block must be sized to the number of line parts. For example, do not use a six part line hook block on a three part line reeving. Contact your National Crane Distributor or Manitowoc Crane Care to order the proper hook block.</p>						

### HOIST CABLE INSTALLATION

To install wire rope, use the following procedure:

1. Unwind the cable from the storage reel and route the cable through the boom cable guides to the hoist from in front of the boom.

 **CAUTION**

If the cable is wound from a storage reel, rotate the reel in the same direction as the hoist.

2. Install the end of the cable into the hoist using the wedge socket provided (Figure 4-5).
3. Remove the cable keeper pin from the boom sheave and lay the cable over the top sheave. Replace the keeper pin.
4. Unspool the remainder of the cable. Make sure the cable is straight and without kinks.
5. Attach the wedge socket to the free end of the cable as shown in (Figure 4-8). If you are using a terminator wedge socket, see Figure 4-7.
6. Torque the clamp on the dead end of the cable to 95 ft-lb (128 N·m).

**NOTE:** The torque must be rechecked after the initial operation of the crane. Be sure the cable clamp is attached to the dead end of the cable only.

7. Start winding the cable onto the hoist drum. Maintain about 500 pounds (250 kg) of tension on the cable.
8. Keep the cable wraps tight against each other when the first half of the bare hoist is filling. The second half of the hoist should wrap tightly because the fleet angle of the cable tends to pull the cable to the center of the drum thus wrapping tightly.

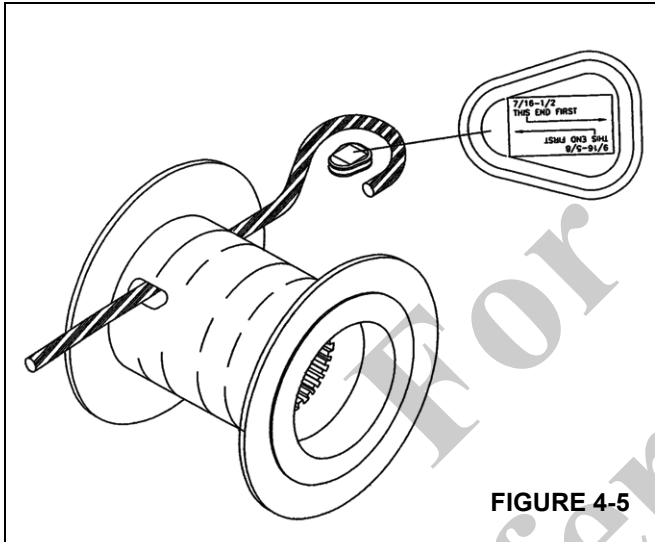


FIGURE 4-5

9. Continue winding the cable on the second, third and fourth layer of the hoist. Keep the cable paying in straight to the boom to avoid side loading the boom. The preceding layers will wrap smoothly guided by the first layer wrapping.

## WIRELINE REEVING

Reeving for Wireline machines using a 2/3 line hook block is shown in Figure 4-6. Install the Anti-2-block weight (1) on the wedge socket (2) side of the hook block (3). Connect the Anti-2-block chain (4) to the upper switch assembly (5).

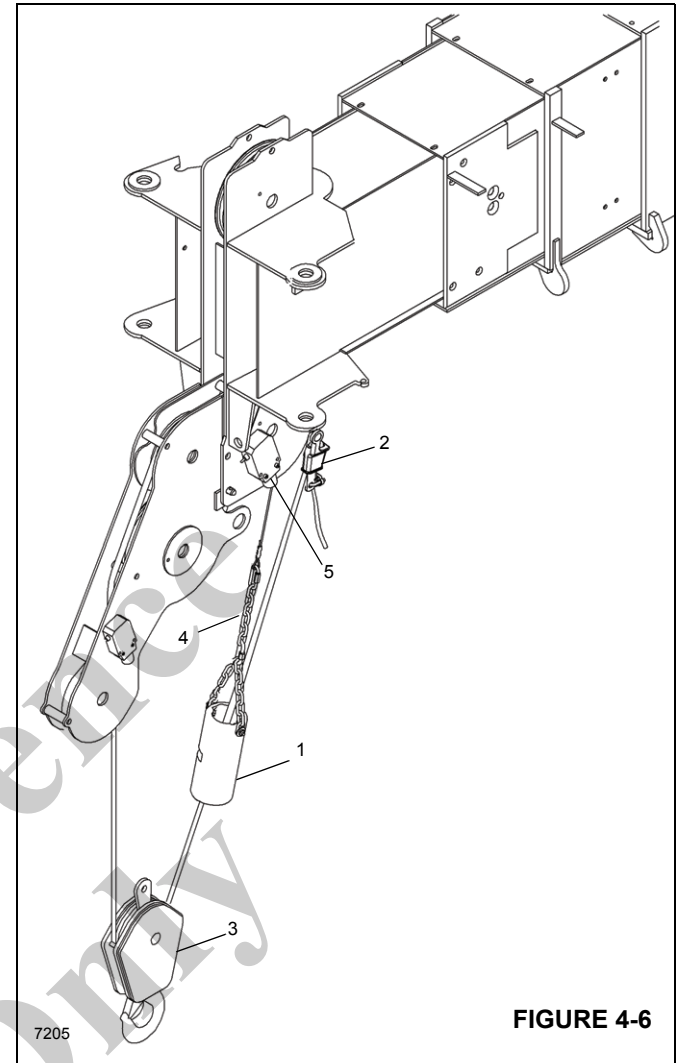


FIGURE 4-6

## WEDGE SOCKETS

To install a wedge socket:

- Make sure the wedge socket is the proper size for the cable.
- Do not mix components of different wedge socket manufacturers.
- The wedge socket must meet the requirements of the wedge socket and wire rope manufacturers.

State and local laws may vary and require different attachment methods depending upon work conditions. The user is responsible for alternate attachment methods.

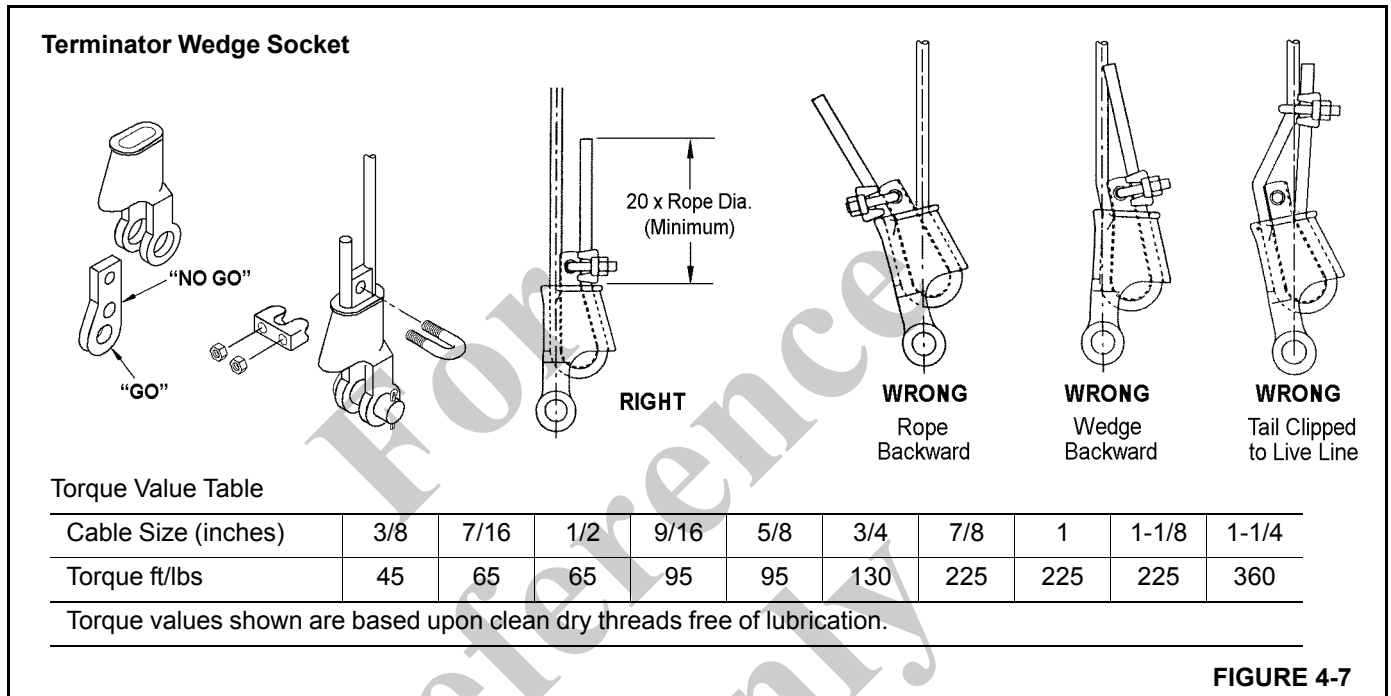
## Terminator Wedge Installation

The 1300A is shipped with a terminator wedge socket which is National Crane's preferred type of socket (Figure 4-7). Other wedge socket types are shown on page 4-10.

To attach a terminator wedge Figure 4-7, use the following procedure:

1. Match the socket, wedge, and clip to wire rope size.
  - The wire rope must pass through the "go" hole in the wedge.
  - It must not pass through the "no go" hole in the wedge.

2. Align the live end of rope, with center line of pin.
3. Secure dead end section of rope.
4. Tighten nuts on clip to recommended torque.
5. Do not attach dead end to live end or install wedge backwards.
6. Use a hammer to seat Wedge and Rope as deep into socket as possible before applying first load.

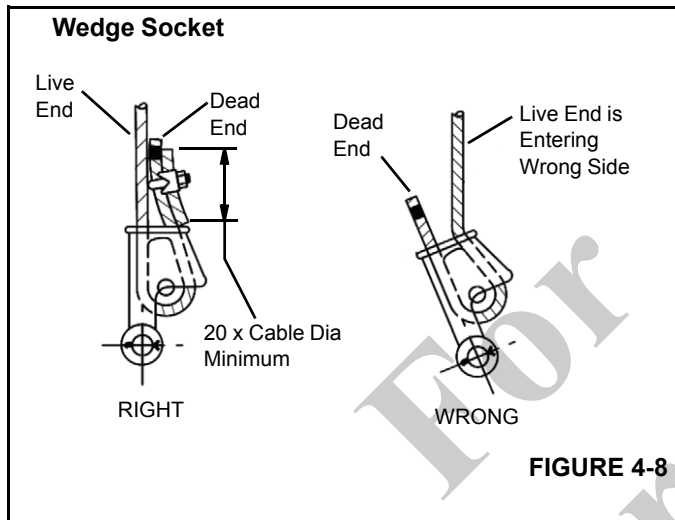


### Wedge Socket Installation

To attach a wedge socket, use the following procedure:

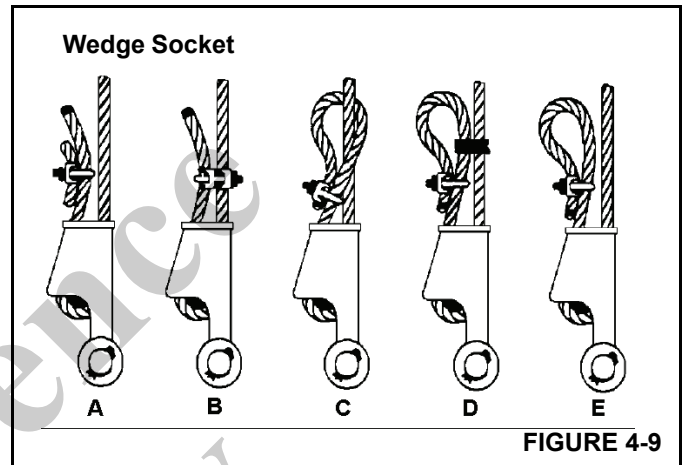
1. Remove rough edges and burrs from the wedge socket.
2. Use annealed wire to seize the end of the cable. Do not weld the end of the cable. If the end of the cable is welded, cut the end off and seize the end.

Insert the live end into the socket so that it is in line with the ears



3. Loop the cable around the wedge and insert the dead end back into the socket. Pull on the live end until the cable and wedge are secure in the socket. The length of dead end that is exposed must be at least 20 x cable diameter (Figure 4-8).
4. Secure the dead end.
5. Seat the cable in the wedge by lifting a light load with the winch.

Sketches A through E in Figure 4-9 illustrate different methods of treating the dead-ends of winch cable in a wedge socket.



## SECTION 5

### LUBRICATION PROCEDURE AND CHARTS

#### GENERAL

Following the designated lubrication procedure is important in ensuring maximum crane lifetime and utilization. The procedures and lubrication charts in this section include information on the types of lubricants used, the location of the lubrication points, the frequency of lubrication, and other information. The information included in this section does not include lubrication requirements for the truck chassis. Refer to appropriate truck manufacturer's manual for this information.

The service intervals specified are for normal operation where moderate temperature, humidity, and atmospheric conditions prevail. In areas of extreme conditions, the service periods and lubrication specifications should be altered to meet existing conditions. For information on extreme condition lubrication, contact your local National Crane Distributor or Manitowoc Crane Care.

#### Arctic Conditions Below -18°C (0°F)

In general, petroleum based fluids developed especially for low temperature service may be used with satisfactory results. However, certain fluids, such as halogenated hydrocarbons, nitro hydrocarbons, and phosphate ester hydraulic fluids, might not be compatible with hydraulic system seals and wear bands. If you are in doubt about the suitability of a specific fluid, check with your authorized Manitowoc distributor or Manitowoc Crane Care.

**NOTE:** All fluids and lubricants may be purchased by contacting the Manitowoc Crane Care Parts Department.

Regardless of temperature and oil viscosity, always use suitable start-up procedures to ensure adequate lubrication during system warm-up.

#### Chassis Grease

##### CAUTION

Do not use air pressure devices to apply chassis grease otherwise damage to sealed fittings may result.

Lubricating grease of proper consistency is to be applied periodically at relatively frequent intervals with grease guns through grease fittings. Minimum apparent viscosity of 300 SUS (Saybolt Universal Seconds) at 100° F (38° C) is recommended.

##### CAUTION

The multipurpose grease installed during manufacture is of a lithium base. Use of a noncompatible grease could result in damage to equipment.

#### Extreme Pressure Multipurpose Gear Lubricant

This gear lubricant is compounded to achieve high load carrying capacity and meet the requirements of either API-GL-5 or MIL-L-2105C. Unless otherwise specified, SAE 80W-90 viscosity may be used for year round service. Low temperature usage is restricted as follows:

SAE Viscosity Number	Minimum Ambient Temperature F (C)
75W	-40 (-40)
80W	-15 (-26)
85	+10 (-12)
90	+20 (-7)
140	+40 (+5)
250	+50 (+10)

#### Open Gear Lubricant

This is a special high-graphite adhesive lubricant that helps to eliminate fretting corrosion, is water resistant, and forms a dry lubrication film which does not attract dust. Lubricant meets NLGI Class 1-2 specifications.

#### Anti-wear Additives

Excessive wear in the system may cause a loss in volumetric efficiency, and may cause shutdowns for maintenance. An efficient anti-wear oil protects the components against rusting, resists oxidation and helps prevent wear.

#### Surface Protection for Cylinder Rods

Steel cylinder rods include a thin layer of chrome plating on their surfaces to protect them from corroding. However, chrome plating inherently has cracks in its structure which can allow moisture to corrode the underlying steel. At typical ambient temperatures, hydraulic oil is too thick to penetrate these cracks. Normal machine operating temperatures will allow hydraulic oil to warm sufficiently to penetrate these cracks and if machines are operated daily, protect the rods. Machines that are stored, transported, or used in a corrosive environment (high moisture, rain, snow, or coastline

conditions) need to have the exposed rods protected more frequently by applying a protectant. Unless the machine is operated daily, exposed rod surfaces will corrode. Some cylinders will have rods exposed even when completely retracted. Assume all cylinders have exposed rods, as corrosion on the end of the rod can ruin the cylinder.

It is recommended that all exposed cylinder rods be protected using Boeshield® T-9 Premium Metal Protectant. Manitowoc Crane Care has Boeshield T-9 Premium Metal Protectant available in 12 oz. cans that can be ordered through the Parts Department.

**NOTE:** Cylinder operation and inclement weather will remove the Boeshield protectant. Inspect machines once a week and reapply Boeshield to unprotected rods.

The following describe the lubrication points and gives the lube type, lube interval, lube amount, and application of each. Each lubrication point is numbered, and this number corresponds to the index number shown on the Lubrication Chart (Figure 5-1). Lube description and symbols are found in tables below.

## Hydraulic Oil Inspection

Environmental and other conditions can dramatically affect the condition of hydraulic oil and filters. Therefore, specific intervals for servicing/changing hydraulic oil, filters and hydraulic tank breathers cannot be set. However, it is imperative for the continued satisfactory performance that inspections be performed on the basis of how and where each crane is used. Air borne and ingested contaminants can significantly reduce the life of oil and the condition of hydraulic oil filters and tank breathers.

Under normal operating conditions, it is recommended that hydraulic oil, filter and breathers be inspected at least every three to six months and more frequently for severe operating conditions. The inspections should be for air borne and/or ingested particles and water that deteriorate and contaminate the oil. For example, oil appears "milky" or no longer has a transparent clear to amber color. The return filter by-pass indicator should be observed daily to determine if contaminant content is high. If the indicator reaches the red zone or indicates a by-pass condition, the hydraulic oil must be sampled. The hydraulic tank breather should also be inspected to assure that it is not restricting air flow into and out of the reservoir.

To inspect the hydraulic oil, fill a small glass container with a sample of the reservoir oil and another glass container with fresh oil. Let the samples stand, undisturbed, for one or two hours. Then, compare the samples. If the reservoir oil is heavily contaminated with water, the sample will appear "milky" with only a small layer of transparent oil on top. If the "milky" appearance is due to air foaming, it will dissipate and the oil should closely match the fresh oil. Remember,

replacement oil must meet ISO 17/14 or better cleanliness level and must meet John Deere Standard JDM J20C. Contact your Product Support Representative if you have any questions.

## Standard Hydraulic Oil

### **Above 10°F (-12°C)**

The factory fill standard hydraulic oil is SAE grade 10W-20 Hydraulic Oil. This fluid is acceptable for operating temperatures above -12°C (10°F).

**NOTE:** On units equipped with self-leveling platforms, low temperature service oils are necessary to provide proper boom functions at temperatures below +10°F (-12°C).

---

## CAUTION

Operation of the crane with incorrect hydraulic oil in sub freezing temperature (below 32°F, 0°C) can cause damage to the extend cylinder.

---

## Intermediate Hydraulic Oil

### **(-10°F to 80°F) (-23°C to 27°C)**

For colder operating environments, the standard fluid may be replaced with a Low Service Temperature Multi Viscosity Hydraulic Oil with High Viscosity index 175+.

## Wide Range Intermediate Hydraulic Oil.

### **(-30°F to 80°F) (-34°C to 27°C)**

For even colder operating conditions, the standard fluid may be replaced with a petroleum based fluid developed especially for colder environments.

## Arctic Hydraulic Oil.

### **(-10°F and below) (-23°C and below)**

In general, petroleum based fluids developed especially for low temperature service may be used with satisfactory results. However, certain fluids, such as hydrogenated hydrocarbons, nitro hydrocarbons and phosphate ester hydraulic fluids might not be compatible with hydraulic system seals and wear bands. Arctic hydraulic oil is not recommended for service in ambient temperatures above 32°F (0°C).

If you are in doubt about the suitability of a specific fluid, check with your authorized National Crane distributor or Manitowoc Crane Care.

**NOTE:** All fluids and lubricants may be purchased by contacting the Manitowoc Crane Care Parts Department.



## LUBRICATION POINTS

A regular frequency of lubrication must be established based on component operating time. The most efficient method of keeping track of lube requirements is to maintain a job log of crane usage.

### CAUTION

Lubrication intervals (page 5-3) are to be used only as a guide. Actual intervals should be formulated by the operator to correspond accordingly to conditions such as continuous duty cycles and/or hazardous environments.

All oil levels are to be checked with the crane parked on a level surface in transport position, and while the oil is cold, unless otherwise specified. On plug type check points, the oil levels are to be at the bottom edge of the fill port.

Over lubrication of non-sealed fittings will not harm the fittings or components, but under lubrication shortens lifetime.

Worn grease fittings that do not hold a grease gun, or those that have a stuck check ball, must be replaced.

When wear pads or rotation bearings are lubricated, cycle the components and lubricate again to ensure complete lubrication of the entire wear area.

Symbol	Description	Manitowoc Lube Specification
EP-MPG	Extreme Pressure Multipurpose Grease - Lithium Soap Base, NLGI Grade 2.	A6-829-003477
EP-3MG	Extreme Pressure Moly Grease	A6-829-015304
GL-5	Extended Service Interval Gear Lubricant - SAE Grade 80W-90	A6-829-012964
AFC - 50/50	50/50 Blended Fully Formulated Antifreeze/Coolant, SAE J1941, ASTM D6210	A6-829-101130
HYDO	Hydraulic Oil - Must meet ISO 4406 cleanliness level 17/14	A6-829-006444
EO-15W/40	Engine Oil - SAE 15W-40, API Service Classification CI-4 or better	A6-829-003483
EP-OGL	Open Gear Lubricant, CEPLATTYN 300 Spray, NLGI Grade 1-2	A6-829-102971
AGMA EP-4	Extreme Pressure Gear Lubricant.	A6-829-100213
WRL	Wire Rope Lubricant	A6-829-015236
LTG	Low Temperature Grease, NLGI Grade 1	A6-829-225828

Reference Only

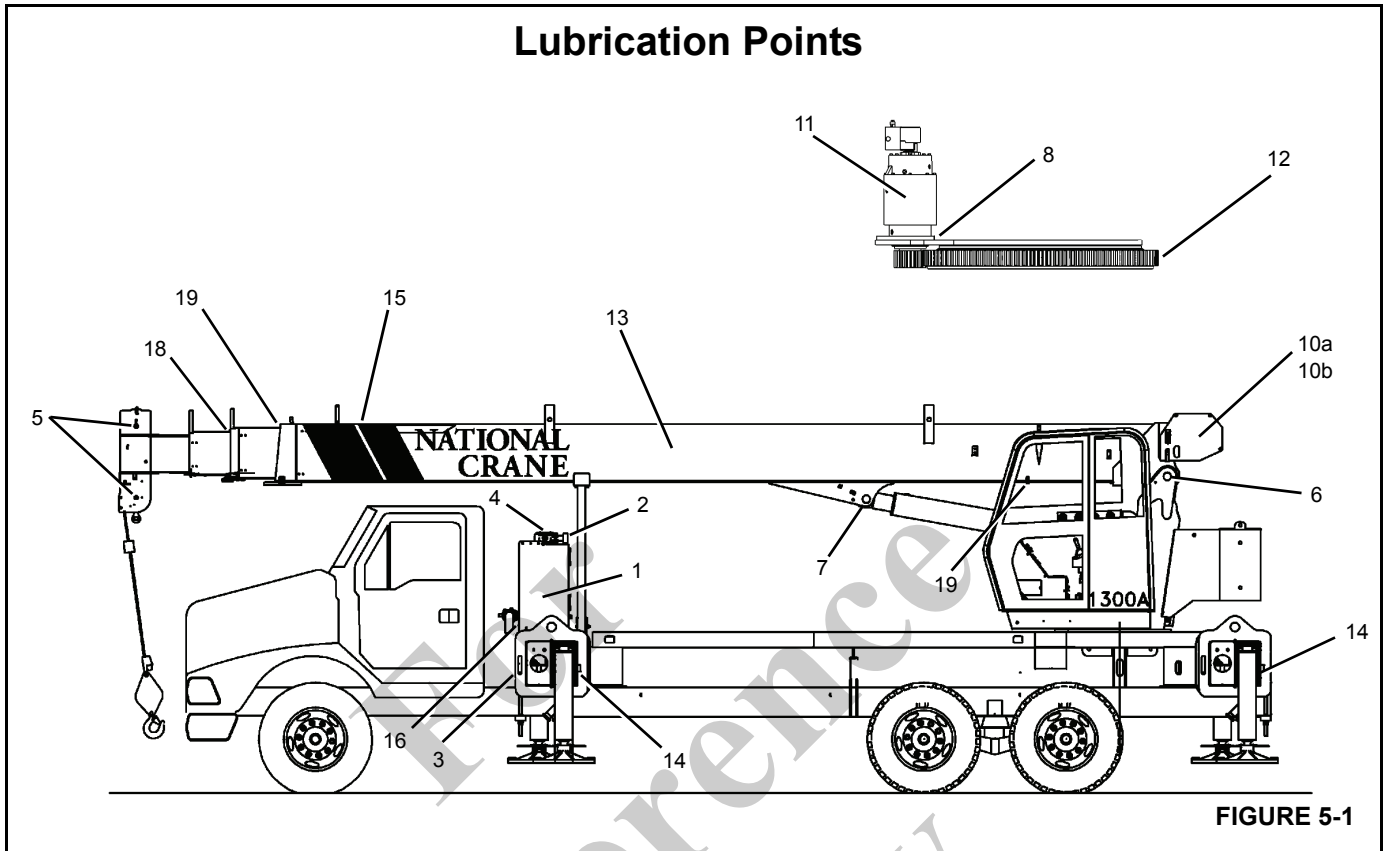


FIGURE 5-1

Item	Application	Recommended Lubricant	Procedure	Frequency
1	Hydraulic oil reservoir	HYDO	Check fill change	Weekly As Required Semi-Annually
2	Oil filter, Hydraulic oil reservoir		Change or clean	After first 40 Hrs. As indicated by gauge thereafter.
3	Magnetic Plug, Hydraulic oil reservoir		Clean	At oil filter service interval.
4	Breather, Hydraulic oil reservoir		Clean	Monthly
5	Sheave pins: boom (5 plcs), jib (1 pl), block (1 pl), rooster sheave (1 pl)	EP-MPG	Grease gun	Weekly
6	Boom pivot pin	EP-MPG	Grease gun	Monthly
7	Lift cylinder pins - 2 ea.	EP-MPG	Grease gun	Monthly
8	Turntable bearing	EP-MPG	Grease gun	Weekly
10a	Winch gearbox.	SAE 90 EP	Change/check & fill	Every 1000 hours or 6 months
10b	Winch brake	HYDO	Change/check & fill	Every 1000 hours or 6 months
11	Swing drive gearbox	GL-5	Change	After 100 operating hours
12	Swing gear teeth	EP-OGL	Spray Can	Monthly
13	Boom extension	LTG	Brush, roller or grease gun spray can	Monthly or as required
14	Outrigger beams, bottom, sides	LTG	Brush or roller spray can	Monthly or as Required
15	Wire rope (loadline)	EP-OGL	Brush or spray	Semi-Annually
16	Diffuser strainer, Hydraulic oil reservoir		Clean	Semi-Annually with Oil Change
18	Extend Sheaves	EP-3MG	Grease Gun	Weekly

Item	Application	Recommended Lubricant	Procedure	Frequency
19	Retract Sheaves: Extend the boom until the retract sheave grease holes are visible through the access holes along side of boom.	EP-3MG	Grease Gun	Weekly
20	Wire Rope (Extension Cables)	WRL	Spray or Brush	Any Time Boom is Disassembled or 5 Years

### Internal Cable Sheave Lubrication

#### DANGER

Do not, under any circumstances, work at an elevated height without using proper fall protection as required by local, state or federal regulations.

A grease gun adapter is required to lubricate the internal sheaves. The required needle grease gun fitting is:

- A 0.25 inch (6.35 mm) diameter nozzle grease gun tip (National P/N 955045).
- Contact Manitowoc Crane Care to obtain this tip.

Lubrication of the extend and retract sheaves is as follows:

1. Extend the boom until the grease access holes on the side of the 2<sup>nd</sup> and 3<sup>rd</sup> sections are lined up.
2. Lubricate the pin for the extend cable sheaves (18) (Figure 5-1) until a small amount of grease extrudes from the pin. From in front of the boom, look back through the sheave case at the pin to determine the amount of grease.
3. This position also aligns the access holes in the rear of the 1<sup>st</sup> and 2<sup>nd</sup> sections for lubrication.
4. Lubricate the pins for the retract sheaves until a small amount of grease extrudes from the sheave pins. From in back of the boom, look up through the winch mount at the pins to determine the amount of grease.

### Inner Boom Wear Pad Lubrication

1. Fully extend and set the outriggers.
2. With the boom fully retracted, remove the access plate (6) located on the top rear of the 1<sup>st</sup> section (Figure 5-2).

3. Apply grease to the wear pads on the top of the 2<sup>nd</sup> section through the access holes (4) in the 1<sup>st</sup> section with a grease gun (Figure 5-2).
4. Extend the boom to line up the access holes on the 2<sup>nd</sup> section (3) with the wear pads on the 3<sup>rd</sup> section. Apply grease to the 3<sup>rd</sup> section wear pads with a grease gun.
5. Extend the boom to line up the access holes (2) on the 3<sup>rd</sup> section with the wear pads on the 4<sup>th</sup> section. Apply grease to the 4<sup>th</sup> section wear pads with a grease gun.
6. Raise the boom to at least 75°.
7. Extend the boom about 1/3 and retract to spread the grease.
8. Repeat steps 3 - 6. Extend the boom about 2/3 and retract to spread the grease.
9. Repeat steps 3 - 5. Fully extend and retract the boom to spread the grease.

### Side and Bottom Boom Wear Pad Lubrication

1. Fully extend and set the outriggers.

**NOTE:** A fully extended boom at horizontal needs to have an assist from a crane or forklift to retract. Lift the front of the boom enough to relieve pressure on the bottom wear pads. This should be sufficient for the boom to retract.

2. Lower the boom to horizontal.
3. Fully extend the boom and apply grease to the side and bottom of the 2<sup>nd</sup>, 3<sup>rd</sup>, and 4<sup>th</sup> sections with a brush.
4. Extend and retract the boom several times until the grease is evenly spread.
5. Repeat steps 3 and 4 as necessary to ensure the boom is fully lubricated.

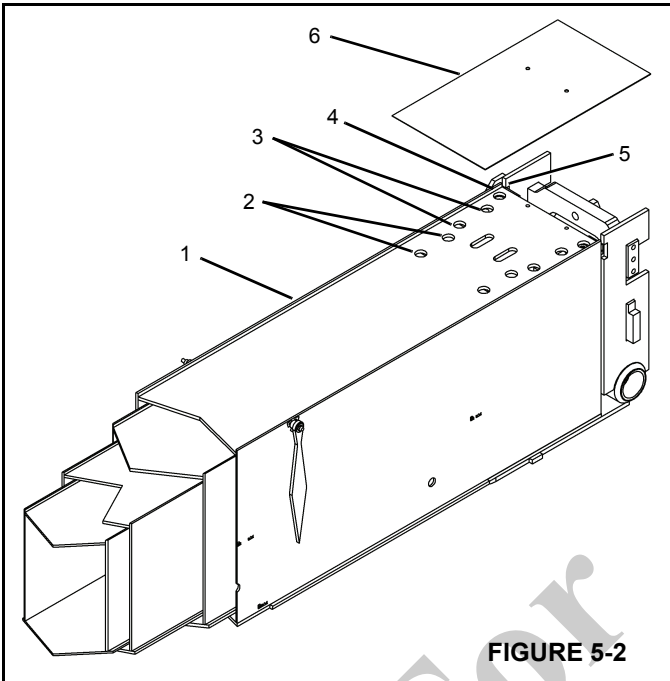


FIGURE 5-2

Item	Description
1	1 <sup>st</sup> Boom Section
2	Access Holes for 4 <sup>th</sup> Section Wear Pad
3	Access Holes for 3 <sup>rd</sup> Section Wear Pad
4	Access Holes for 2 <sup>nd</sup> Section Wear Pad
5	2 <sup>nd</sup> Section Wear Pad
6	Access Plate

**Winch Brake Oil**

To check the winch brake oil, remove the vent/fill plug and visually inspect the level (Figure 5-3). The fluid should be level with the bottom of the vent/fill hole. If more fluid is needed, use National Crane hydraulic oil.

**⚠ DANGER**

Do not use EP type gear lubes in the brake section. This may prevent proper operation and cause the load to fall resulting in serious injury or death.

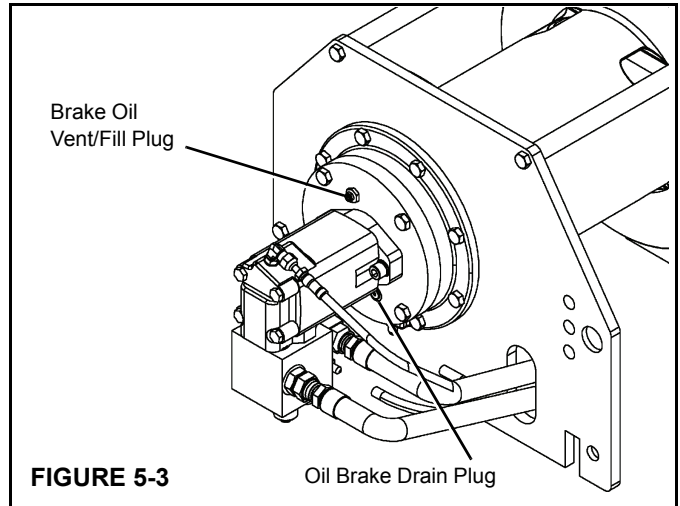


FIGURE 5-3

**Winch Gearbox Oil**

To check the winch gearbox oil level:

- Rotate the drum until the oil fill/drain plug is level with the oil level/fill inspection hole (Figure 5-4).
- Remove the oil fill/drain plug and visually inspect the level. The oil should be level with the bottom of the inspection hole. If more oil is needed, add SAE 90 EP gear lube.

**NOTE:** Winch gear and brake lubricants are satisfactory for operation in temperatures from -10°F to +110°F (-23°C to 43°C). For operation outside this range, contact Manitowoc Crane Care for recommendations.

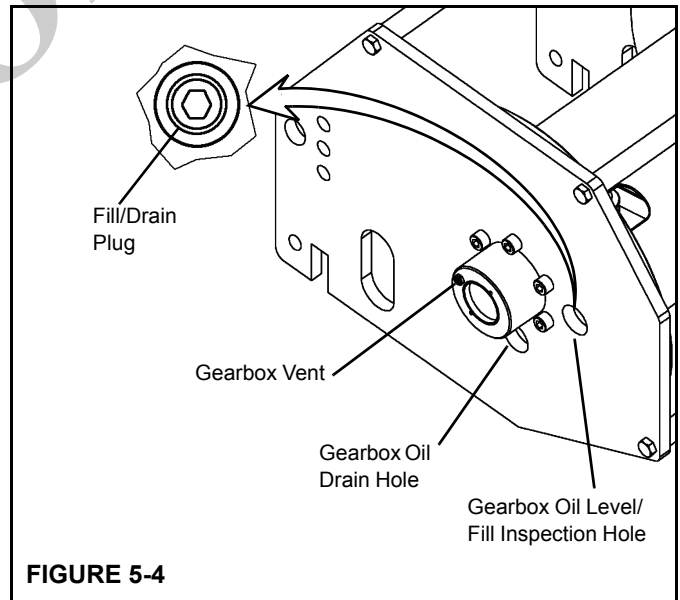


FIGURE 5-4

### 1300A Hydraulic Oil Reservoir Level

The hydraulic oil reservoir has a sight gauge located on the side of the reservoir (Figure 5-5). The oil in the hydraulic reservoir is sufficient when the level is between the upper and lower marks on the sight gauge with the crane parked on a level surface in the transport position and the oil cold.

If the oil level is too low, add the recommended hydraulic oil until the oil level is even with the upper mark. If the oil level is high, drain oil until the oil level is even with the upper mark.

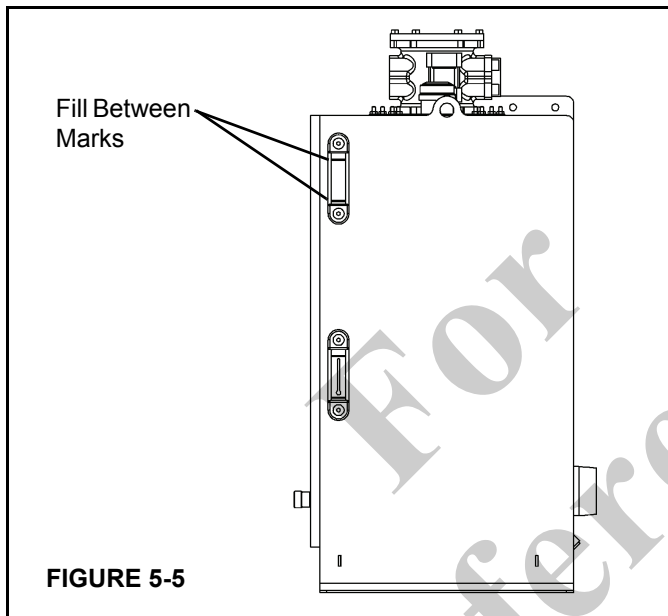


FIGURE 5-5

### WIRE ROPE LUBRICATION

Wire rope is lubricated during manufacture and the lubricant applied does not last the life of the rope. The wire rope must be lubricated as part of a regularly scheduled maintenance program. The lubricant applied must be compatible with the original lubricant and not hinder visual inspection of the rope. Consult the rope manufacturer for proper lubricant. The sections of rope which are located over sheaves or otherwise hidden during inspection and maintenance procedures require special attention.

The object of rope lubrication is to reduce internal friction and to prevent corrosion. The type and amount of lubrication applied during manufacture depends on the rope size, type, and anticipated use. This lubrication provides the finished rope with protection for a reasonable time if the rope is stored under proper conditions. When the rope is put into service, periodic applications of a suitable rope lubricant are necessary. Characteristics of a good wire rope lubricant are that it should be:

- free from acids and alkalis.
- have sufficient adhesive strength to remain on the rope.
- of a viscosity capable of penetrating the interstices between wires and strands.
- not be soluble in the medium surrounding it under the actual operating conditions (i.e. Water).
- have a high film strength.
- resistant to oxidation.

Before applying lubrication, accumulations of dirt or other abrasive material should be removed from the rope. Clean with a stiff wire brush and solvent, compressed air, or live steam. Lubricate the rope immediately after the rope is cleaned. Techniques that can be used include:

- bath
- dripping
- pouring
- swabbing
- painting
- pressure spray

Whenever possible, the lubricant should be applied at the top of a bend in the rope, because at that point the strands are spread by bending and are more easily penetrated. There should be no load on the rope while it is being lubricated. The service life of wire rope is directly proportional to the effectiveness of the method used and amount of lubricant that reaches the working parts of the rope.

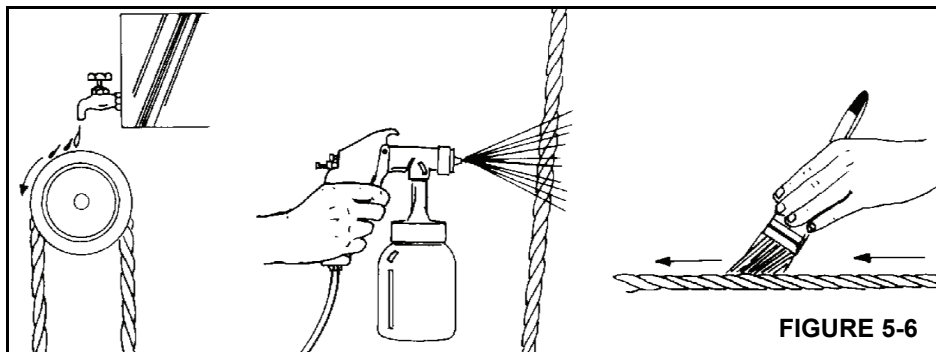


FIGURE 5-6

For  
Reference  
Only

## SECTION 6

### MAINTENANCE CHECKLIST

#### CRANE INSPECTION AND MAINTENANCE

Regularly scheduled inspections and maintenance is essential to keep your unit in peak operating efficiency. The following pages outline the inspections and maintenance required to keep the crane in proper operating condition.



#### **DANGER**

Do not, under any circumstances, work at an elevated height without using proper fall protection as required by local, state or federal regulations

#### Inspection

The following pages list inspections which are to be conducted on your unit to help assure its operating properly and safely. Use applicable torque table requirements for missing or loose fasteners.

The inspections are separated into the following frequency classifications:

- Daily inspections - are performed by the operator before beginning the days work.
- Weekly inspections - are performed by the operator weekly.
- Monthly inspections - are performed by maintenance personnel monthly.
- Periodic inspections - are performed by maintenance personnel at least every three months and includes all items listed under daily, weekly, and monthly inspections. Federal Laws through OSHA and ANSI B30.5 require that dated and signed records of these periodic inspections be kept. An inspection log book is available from National Crane to assist you in keeping records.

#### **Daily Inspections**

Check the following items:

1. Engine oil level.
2. Hydraulic oil level.
3. Radiator coolant level.
4. Loose parts or damage to structures or welds.
5. Operation of lights, safety equipment and gauges.
6. Condition of tires and suspension.

7. Condition of hoist cable and end attachment for corrosion, severe kinking, crushing, cutting, or slippage of cable clamps or wedge socket.
8. Loose parts or damage to cable centering hook blocks.
9. Position of cable with guides and on sheaves.
10. Free turning of sheaves.
11. Lubrication as specified by the Lubrication Chart.
12. Evidence of oil leak from hoses, gearboxes, or swivel.
13. Hand and foot controls for malfunction or incorrect adjustment.
14. Truck parking brake operation.
15. Boom proportioning to insure that all boom sections extend and retract equally.
16. All securing hardware such as cotter pins, snap rings, hairpins, pin keepers, and capscrews for proper installations.
17. Proper condition and operation of LMI and anti-two-block systems to include the anti-two-block switch weight and chain at the boom tip (and jib tip if equipped), power cords, audible alarms, and indicator lights on the console.
18. Proper operation of the load hook safety latch.
19. Drain holes at rear of the first section of the boom are clear of all obstructions.
20. All fasteners retaining the cable centering block are in place and tight.
21. All safety covers for proper installation.

#### **Weekly Inspections**

Check the following items:

1. Battery water level.
2. Tire pressure.
3. Lubrication as specified by the Lubrication Chart.
4. Boom lift and outrigger holding valves for proper operation.
5. Torque the swing bearing mounting bolts during the first month of operation and periodic inspections thereafter (See page 6-11 for Torque Values).
6. Hoist brake for proper operation at hoist capacity load.
7. Torque the boom wear pad retaining bolts during first month of operation, and monthly thereafter.

8. Check to see that crane Operation Manual is with the unit. If the manual is missing, obtain the serial number of the unit and order an operation manual immediately.

**Monthly Inspections**

Check the following items:

1. All cylinders and valves for signs of leaks.
2. Lubrication as specified by the Lubrication Chart.
3. Load hook for cracks or having more than 15 percent normal throat opening or 10 degree twist.
4. All structural members (boom, sub-base, turret and outriggers) for bends, cracks, or broken members.
5. All welds for breaks or cracks.
6. All pins for proper installation.
7. All control, safety, and capacity placards for readability and secure attachment.
8. Torque of cable clip bolts above wedge socket at end of loadline should be 95 ft-lb.
9. All boom wear pad retaining bolts.
10. Boom extension cables for proper tension or evidence of abnormal wear.
11. Sheaves and cable drums for wear and cracks.
12. Unspool loadline and check according to cable maintenance procedure.

**Periodic Inspection**

Check the following items:

1. All items listed under daily, weekly, and monthly inspections.
2. Loose bolts and fasteners in all areas. Torque pin retainer bolts.
3. All pins, bearings, shafts, and gears for wear cracks or distortion to include all pivot, outriggers and sheave pins, and bearings.
4. Boom angle and boom length indicator for accuracy over full range.
5. Hydraulic systems for proper operating pressure.
6. Lift and outrigger cylinders for drift caused by leaking around piston.
7. Cylinders for:
  - a. Damaged rods
  - b. Dented barrels
  - c. Drift from oil leaking by piston

- d. Leaks at rod seals, welds, or holding valves.

8. PTO drive line system for proper alignment, lubrication and tightness.
9. Hydraulic hose and tubing for evidence of damage such as blistering, crushing, or abrasion.
10. Top and bottom wear pads for excessive wear.
11. Inspect all electrical wires and connections for worn, cut or deteriorated insulation and bare wire. Replace or repair wires as required.
12. Extend and retract cables, sheaves, pins, and bearings for wear or abrasion.
13. Main frame and stabilizer mount bolts for proper torque (see Torque Chart).
14. Rotation bearing and gearbox mounting bolts for proper torque (see Torque Chart).

**Special Boom Inspection**

If the boom has not been disassembled and inspected in the last five years or 3,000 hours of use, the boom is to be completely torn down to allow a thorough inspection of the extend and retract cables, sheaves, and pins.

**Stability**

Stability of unit throughout working area. Check the stability procedure in Installation Section of the Service Manual annually or when any changes are made to crane or truck.

**HOIST CABLE INSPECTION AND MAINTENANCE**

**Inspection**

All hoist cable in service needs to be inspected on a daily, monthly, and quarterly basis. Cable which has been idle for a period of a month or more must be given a thorough inspection before it is placed in service. This inspection should cover all types of deterioration including:

- Distortion such as kinking, crushing, un-stranding, bird caging, main strand displacement or core protrusion.
- Loss of cable diameter in a short cable length or unevenness of outer strands indicates the cable needs to be replaced.
- General corrosion.
- Broken or cut strands.
- Number, distribution and type of visible broken wires.
- Core failure in rotation resistant ropes.

Only inspect the outer surface of a cable. Never attempt to open the cable.



**Daily Inspections**

All cable in continuous service must be inspected at the beginning of each work day. Inspect the eye end and length of cable that is used in daily operation. The end should be inspected for abrasion, corrosion, broken wires, and loose or broken servings. Inspect the remainder of the cable length used for daily operations for points showing kinks, sharp bends, or any other evidences of damage or excessive wear.

**Monthly Inspections**

Inspect the eye end and length of cable normally used in daily operations. Examine the rest of the cable for kinked, crushed or otherwise damaged points.

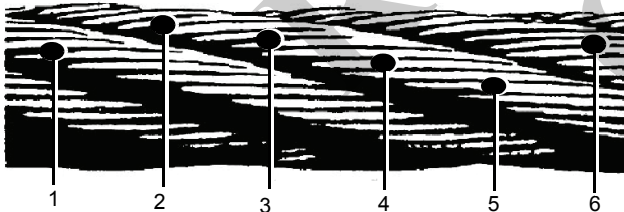
**Periodic Inspections**

Inspect the eye end of the cable for greater wear than the rest of the cable. If the cable is in good condition, reverse the cable on the drum so that the wear is equalized along the total length of the cable.

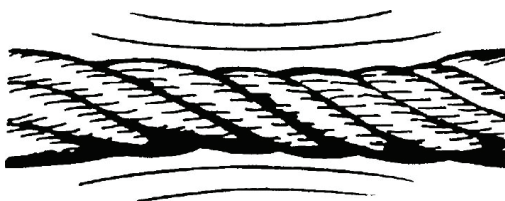
**Wire Rope Replacement**

It is difficult to determine the exact time for replacement of wire rope (hoist cable) since many variable factors are involved. Proper determination of the condition of a rope depends upon the judgment of an experienced person. The following reasons are sufficient for consideration of rope replacement:

Six randomly distributed broken wires in one rope lay or three broken wires in one strand in one lay. The rope is unsafe for further use if there are either three broken wires in one strand (Breaks 2, 3, 4) or a total of six broken wires in all strands in any one lay.



- Wear of one-third the original diameter of outside individual wires. Worn rope, usually indicated by flat spots on the outer wires as shown is unsafe for further use when less than two-thirds the thickness of the outer wire remains.
- Necking down of the rope indicates core failure.



- Kinking, crushing, bird caging, or any other damage resulting in distortion of the rope structure.
- Evidence of heat damage.
- Reductions from nominal diameter of more than 1/64 in (.4mm) for diameters to 5/16 in (8mm), 1/32 in (.8mm) for diameters 3/8 in (9.5mm) to 1/2 in (12.7mm), 3/64 in (1.2mm) for diameters 9/16 in (14.3mm) to 3/4 in (19.1mm) and 1/16 in (1.6mm) for diameters 7/8 in (22.2mm) to 1-1/8 in (28.6mm).
- One outer wire broken at its point of contact with the core of the rope which has worked its way out of, and protrudes or loops out from the rope structure. Additional inspection of this section is required.



**Care of Wire Rope**

Handle wire rope with care to prevent damage to the individual wires which affect the overall strength and performance of the rope. Do not allow the formation of kinks, because this displaces the strands of wire from their original position and relation to each other causing severe bending and unequal tensions in the strands. This distortion and wire displacement cannot be corrected even under high tension and a permanent weak point remains in the rope. Displaced or raised wires indicate a previous kink, but does not show the damaged condition of the inner rope wires.

Never pull wire rope over a non-rotating support such as a spindle bar, a pin, or an inoperative sheave. This practice causes severe abrasion to the outer strand wires. A properly operating sheave or snatch block is essential to safety and long service life of the rope.

Do not use worn sheaves or sheaves with flat grooves because they do not provide sufficient support to prevent the distortion and flattening of the rope. Sheaves with nicked or broken flanges can cut or otherwise damage the rope.

An even distribution of rope coils over the hoist drum is essential to smooth operation. This prevents the rope from cutting down through or crushing other coils on the drum resulting in damage to and difficulty in unwinding the rope.

**REPLACEMENT CABLE**

If the hoist cable needs to be replaced, care should be taken in selecting a suitable replacement cable. The cable strength requirements are shown on the crane load chart. The types of cable are optional with 6 x 25 and Dyform being the most common. A high strength, rotation resistant cable is preferred and is furnished as standard by National Crane.

This cable eliminates single part line load spin and prolongs cable life. It also eliminates load block spin up when multi-part reeving is used.

** DANGER**

Do not use a swivel on rotation resistant cable. A swivel on this cable causes premature cable core failure.

Standard
9/16 in. (14.3mm) Dia. Wire cable: Rotation Resistant
18X25 Nominal Breaking Strength: 19.25 Tons (17,463 kg)
Optional
9/16 in. (14.3mm) Dia. Wire cable: 6X25 General Purpose
6X25 Nominal Breaking Strength: 16.8 tons (15,241 kg)

**CRANE ADJUSTMENTS AND REPAIRS**

Before adjustments and repairs are started on a crane, read and be familiar with the safety information outlined under *Maintenance*, page 2-11.

**Boom Extension Cable**

If a cable replacement is required for the boom extension system, the replacement cable must be obtained through the Manitowoc Crane Care. Extension cables are pre-stretched and have special connections for proper operation

**Jib Jack Service and Maintenance**

Important: Use only a good grade hydraulic jack oil, transmission oil, or turbine oil. Avoid mixing types of oil. Do not use brake fluid, alcohol, glycerin, detergent motor oil, or dirty oil. Improper fluid can cause serious internal damage to the jack rendering it inoperative.

***Adding Oil to the Jib Jack***

To add oil to the jib jack, do the following:

1. Set the jack in an upright level position.
2. Lower the saddle and make sure the piston is fully depressed.
3. Remove the oil filler plug.
4. Fill until the oil is level with the filler plug hole.

***Changing the Jib Jack Oil***

For best performance and longest life, replace the oil at least once a year. To change oil, do the following:

1. Remove the filler plug.
2. Lay the jack on its side and drain the oil into a suitable drain pan. The oil will run slowly because air must enter as oil drains out.
3. Be careful to prevent dirt or foreign matter from entering the system.
4. Replace with proper oil as described above.

**Lubrication**

Add proper lubrication oil to all pivoting sections every three months.

**Rust Prevention**

Check the ram every three months for any sign of rust or corrosion. Clean as needed and wipe with an oil saturated cloth.

**NOTE:** When not in use, always leave the saddle and ram all the way down.

**HYDRAULIC SYSTEM**

**Oil Cooler**

The heat exchanger must be kept clean for efficient operation of the hydraulic cooler system. Wash the heat exchanger core frequently to eliminate oil film, road dirt, and other foreign object buildup on the heat exchanger fins.

Frequent inspection and tightening of hose clamp eliminates the possibility of end connection failure due to back pressure from a cold startup.

If the cooler system fails to provide adequate performance, reduced air or oil flow through the heat exchanger is the probable cause. Inspect the cooling fan for proper operation. Any obstructions to air flow should be corrected (cooler too close to other truck components, foreign matter in heat exchanger fins, etc.) All hydraulic lines should be periodically checked for obstructions, hose kinks or other flow restrictions.

**Hydraulic System Trouble Diagnosis**

The following chart lists malfunctions which may occur during equipment operation, followed immediately by possible cause and possible solution. These are not all inclusive but are designed to help isolate the problem and should be checked before calling the factory Service Department.

Condition	Possible Cause	Possible Solution
No response to control	LMI system inoperative.	Insure the LMI system is working properly and the anti-two-block solenoid is powered.
	Load too heavy.	Check load chart.
	PTO not engaged.	Engage PTO.
	Low hydraulic fluid supply.	Check and fill as required.
	Suction line blocked.	Drain tank and hose and remove blockage.
	Broken hydraulic pressure line.	Replace as required.
	Defective hydraulic pump.	See Pump Service Manual.
	Incorrect relief valve setting.	Adjust relief (See <i>Specifications</i> , page 6-11).
	Relief valve sticking.	Clean relief.
Poor hydraulic system performance	Pump not operating at proper speed.	Check PTO ratio, pump size and engine speed for proper oil flow.
	Low hydraulic fluid supply.	Check and fill as required.
	Relief valve sticking.	Remove and clean.
	Relief setting too low.	Readjust to proper setting.
	Worn pump, motor or cylinder.	Replace bad part.
	Plugged filter.	Change filter.
	Valve spools not fully open.	Adjust linkage so valve has full throw.
	Boom holding valves out of adjustment.	Adjust or clean as required.
	Oil temperature too high.	Run engine at idle with controls in the neutral position until hydraulic oil light goes out.
	Hydraulic oil too cold or dirty.	Warm oil or use less viscous oil.
	Line restricted.	Check lines; clean and repair as required.
	Internal control valve crack.	Replace valve.
	Load too heavy.	Check load chart and reduce load.
Swing moves erratic or sloppily (Standard system).	Loose turntable bearing.	Torque bearing mounting bolts.
	Loose swing gearbox mounting bolts.	Tighten bolts.
	Worn gears or bearing.	Replace worn parts or adjust gearbox spacing.
	Operator control of lever too erratic.	Operate controls smoothly.
	Motor counterbalance valves dirty or not set properly.	Clean or replace counterbalance valves not set at 600 psi.
	Brake not holding properly.	Replace worn brake parts or shim brake to proper torque.
	Brake releasing at wrong time or erratically.	Bleed air from brake with bleed screw on side of brake.
	Swing speed adjustment set too low.	Adjust or clean brake for proper release. Adjust valve on turn motor.

<b>Condition</b>	<b>Possible Cause</b>	<b>Possible Solution</b>
Swing will not turn (Standard System)	Turn circuit relief valves sticking.	Clean and check circuit pressure.
	Turntable bearing drag.	Lubricate thoroughly as rotating boom.
	Brake not releasing properly.	Check for 200 + PSI brake pilot pressure. Clean pilot line or adjust motor counterbalance valves.
	Swing speed adjustment set too low.	Adjust or clean brake for proper release. Adjust valve on turn motor.
Excessive pump noise during operation.	Excessive pump speed.	Adjust foot throttle or check for too high PTO ratio.
	Low oil temperature.	Allow unit to warm up.
	Low hydraulic oil supply.	Check and fill.
	Suction line kinked, collapsed or blocked.	Clear blockage.
	Hydraulic oil too thick.	Warm oil or use oil more applicable to environment.
	Relief valve chattering.	Dirt in relief valve or damaged relief.
	Hydraulic tubing vibration.	Check for loose tubing.
Cylinders drift	Tank breather plugged.	Clean breather.
	Not getting oil to cylinders.	Clean and replace as required.
	Worn or damaged piston seals.	Replace as required.
	Air in hydraulic oil.	Cycle crane cylinder to remove air.
	Loose holding valve.	Tighten valve.
Hoist will not lift or hold load.	Dirt in holding or check valve.	Clean valve.
	Load too heavy.	Check load and change to applicable multipart reeving.
	Relief valve setting too low.	Check and adjust if required.
	Motor worn excessively.	Replace motor.
	Counterbalance valve defective or leaking.	Clean and replace as necessary.
	Anti-two-block system defective.	Repair anti-two-block system.
Hoist gearbox heats.	Brake worn out.	Repair or replace brake.
	Gearbox grease low.	Check and fill as required.
Boom chatters during extension/retraction or doesn't proportion properly.	Duty cycle too high.	Reduce cycle time or speed of hoist.
	Boom sections need lubrication.	Grease boom.
	Wear pads not shimmed correctly.	Re-shim as described in boom assembly section.
	Worn wear pads.	Replace pads.
	Extension cables out of adjustment.	Readjust cables and tension properly.
Boom will not extend.	Extend or retract cables broken.	Disassemble, inspect, and replace cables.
	Proportioning cables not attached.	Reconnect, replace and/or adjust cables.
	Anti-two-block system shut down.	Lower hook, and extend load.
	Defective anti-two-block system	Repair ATB if defective.

Condition	Possible Cause	Possible Solution
System is in a state of constant cut-out.	Blown fuse.	Check fuse at crane cab console. Replace if necessary.
	ATB switch open.	Ensure that ATB switch is closed.
System cuts out too early or too late.	LMI programmed wrong.	Reprogram LMI with correct lift values.
<b>Jib Jack Troubleshooting</b>		
Will not lift load.	No oil in system.	Add oil to reservoir.
	Release valve not closed.	Turn handle clockwise tightly.
Will lift load only part way.	Oil level low.	Add oil to reservoir tank.
Will lift load but will not hold.	The following valve or valves leaking. a. Suction valve b. Delivery valve c. Release valve	Replace jack
	Packings worn or damaged.	Replace jack
Jack will not lower.	Release valve stuck, probably dirt or foreign matter.	Transfer load then replace dirty oil, flush oil reservoir with non-flammable solvent.
Poor lifting.	Dirty oil.	Change oil.
	Air in hydraulic system.	Purge air from system.
Poor pumping action.	Oil seal for pump unit worn out or damaged.	Replace jack.

**Tire Load And Inflation Table**

Definite tire inflation pressures are established for each tire size depending upon the load imposed on the tires. For greater stability, riding comfort and prolonged tire life, tires should be inflated for the loads carried. The "Load and inflation Table" shown below indicates the proper inflation pressure.

**Tire and Load Inflation Tables**

Tire load and inflation tables tire and rim association standard tire loads at various inflation pressures. Load range letters and corresponding ply rating.

**D = 8 ply • E = 10 ply • F = 12 ply • G = 14 ply**  
**H = 16 ply • J = 18 ply • L = 20 ply • M = 22 ply • N = 24 ply**

TIRES FOR TRUCKS IN NORMAL HIGHWAY SERVICE (TIRES MOUNTED ON 15° DROP CENTER RIMS)														
TIRE SIZE	USAGE	TIRE LOAD LIMITS, LBS (kg), AT VARIOUS COLD INFLATION PRESSURES, PSI (kPa)												
		RADIAL PLY												
		60 (414)	65 (448)	70 (483)	75 (517)	80 (552)	85 (586)	90 (621)	95 (655)	100 (690)	105 (724)	110 (758)	115 (793)	120 (827)
9*22.5	DUAL	2960 (1343)	3120 (1415)	3270 (1483)	3410 (1547)	<b>3550 (E)</b> <b>(1610)(E)</b>	3690 (1674)	3820 (1733)	<b>3950 (F)</b> <b>(1792)(F)</b>	4070 (1846)	4200 (1905)	<b>4320 (G)</b> <b>(1960)(G)</b>		
	SINGLE	3010 (1365)	3190 (1447)	3370 (1529)	3560 (1615)	3730 (1692)	3890 (1764)	<b>4050 (E)</b> <b>(1837)(E)</b>	4210 (1910)	4350 (1973)	<b>4500 (F)</b> <b>(2041)(F)</b>	4640 (2105)	4790 (2173)	<b>4920 (G)</b> <b>(2232)(G)</b>
10*22.5	DUAL	3510 (1592)	3690 (1674)	3870 (1755)	<b>4040 (E)</b> <b>(1833)(E)</b>	4200 (1905)	4360 (1978)	<b>4520 (F)</b> <b>(2050)(F)</b>	4670 (2118)	4820 (2186)	<b>4970 (G)</b> <b>(2254)(G)</b>			
	SINGLE	3560 (1615)	3770 (1710)	4000 (1814)	4210 (1910)	4410 (2000)	<b>4610 (E)</b> <b>(2091)(E)</b>	4790 (2173)	4970 (2254)	<b>5150 (F)</b> <b>(2336)(F)</b>	5320 (2413)	5490 (2490)	<b>5670 (G)</b> <b>(2572)(G)</b>	
11*22.5	DUAL			4380 (1987)	4580 (2077)	<b>4760 (F)</b> <b>(2159)(F)</b>	4950 (2245)	5120 (2322)	<b>5300 (G)</b> <b>(2404)(G)</b>	5470 (2481)	5630 (2554)	<b>5800 (H)</b> <b>(2631)(H)</b>		
	SINGLE			4530 (2055)	4770 (2164)	4990 (2263)	5220 (2368)	<b>5430 (F)</b> <b>(2463)(F)</b>	5640 (2558)	5840 (2649)	<b>6040 (G)</b> <b>(2740)(G)</b>	6240 (2830)	6430 (2917)	<b>6610 (H)</b> <b>(2998)(H)</b>
11*24.5	DUAL			4660 (2114)	4870 (2209)	<b>5070 (F)</b> <b>(2300)(F)</b>	5260 (2386)	5450 (2472)	<b>5640 (G)</b> <b>(2558)(G)</b>	5820 (2640)	6000 (2722)	<b>6170 (H)</b> <b>(2799)(H)</b>		
	SINGLE			4820 (2186)	5070 (2300)	5310 (2409)	5550 (2517)	<b>5780 (F)</b> <b>(2622)(F)</b>	6000 (2722)	6210 (2817)	<b>6430 (G)</b> <b>(2917)(G)</b>	6630 (3007)	6840 (3103)	<b>7030 (H)</b> <b>(3189)(H)</b>
12*22.5	DUAL			4780 (2168)	4990 (2263)	<b>5190 (F)</b> <b>(2354)(F)</b>	5390 (2445)	5590 (2536)	<b>5780 (G)</b> <b>(2622)(G)</b>	5960 (2703)	6150 (2790)	<b>6320 (H)</b> <b>(2867)(H)</b>		
	SINGLE			4940 (2241)	5200 (2359)	5450 (2472)	5690 (2581)	<b>5920 (F)</b> <b>(2685)(F)</b>	6140 (2785)	6370 (2889)	<b>6590 (G)</b> <b>(2989)(G)</b>	6790 (3080)	7010 (3180)	<b>7200 (H)</b> <b>(3266)(H)</b>
12*24.5	DUAL			5080 (2304)	5300 (2404)	<b>5520 (F)</b> <b>(2504)(F)</b>	5730 (2599)	5940 (2694)	<b>6140 (G)</b> <b>(2785)(G)</b>	6330 (2871)	6530 (2962)	<b>6720 (H)</b> <b>(3048)(H)</b>		
	SINGLE			5240 (2377)	5520 (2504)	5790 (2626)	6040 (2740)	<b>6290 (F)</b> <b>(2853)(F)</b>	6530 (2962)	6770 (3071)	<b>7000 (G)</b> <b>(3175)(G)</b>	7220 (3275)	7440 (3375)	<b>7660 (H)</b> <b>(3475)(H)</b>

\* Tire size designation includes "R" (Radial Ply)

**NOTE:** Values shown in parentheses denote load range and values shown in bold are maximum loads.

WIDE BASE RADIAL TIRES FOR TRUCKS IN NORMAL HIGHWAY SERVICE (TIRES USED AS SINGLES)											
TIRE SIZE	TIRE LOAD LIMITS, LBS (kg), AT VARIOUS COLD INFLATION PRESSURES, PSI (kPa)										
	70 (483)	75 (517)	80 (552)	85 (586)	90 (621)	95 (655)	100 (690)	105 (724)	110 (758)	115 (793)	120 (827)
445/65R19.5	7540 (3420)	7930 (3597)	8270 (3751)	8680 (3937)	9040 (4101)	9370 (4250)	9730 (4413)	10100 (4581)	<b>10500 (J)</b> <b>(4763)(J)</b>		
385/65R22.5	6380 (2894)	6710 (3044)	7040 (3193)	7350 (3334)	7650 (3470)	7950 (3606)	8230 (3733)	8510 (3860)	8790 (3987)	9050 (4105)	<b>9370 (J)</b> <b>(4250)(J)</b>
425/65R22.5	7590 (3443)	7990 (3624)	8370 (3797)	8740 (3964)	9100 (4128)	9450 (4286)	9790 (4441)	10100 (4581)	10500 (4763)		
445/65R22.5	8280 (3756)	8710 (3951)	9120 (4137)	9540 (4327)	9930 (4504)	10300 (4672)	10700 (4853)	11000 (4990)	<b>11400 (J)</b> <b>(5171)(J)</b>	11700 (5307)	<b>12300 (L)</b> <b>(5579)(L)</b>

**NOTE:** Values shown in parentheses denote load range and values shown in bold are maximum loads.

TIRES FOR TRUCKS IN NORMAL HIGHWAY SERVICE (TIRES MOUNTED ON FLAT BASE RIMS)												
TIRE SIZE	USAGE	TIRE LOAD LIMITS, LBS (kg), AT VARIOUS COLD INFLATION PRESSURES, PSI (kPa)										
		Radial Ply										
		70 (483)	75 (517)	80 (552)	85 (586)	90 (621)	95 (655)	100 (690)	105 (724)	110 (758)	115 (793)	120 (827)
10.00*20	DUAL	4380 (1987)	4580 (2077)	<b>4760 (F)</b> <b>(2159) (F)</b>	4950 (2245)	5120 (2322)	<b>5300 (G)</b> <b>(2404) (G)</b>	5470 (2481)	5630 (2554)	<b>5800 (H)</b> <b>(2631) (H)</b>		
	SINGLE	4530 (2055)	4770 (2164)	4990 (2263)	5220 (2368)	<b>5430 (F)</b> <b>(2463) (F)</b>	5640 (2558)	5840 (2649)	<b>6040 (G)</b> <b>(2740) (G)</b>	6240 (2830)	6430 (2917)	<b>6610 (H)</b> <b>(2998) (H)</b>
10.00*22	DUAL	4660 (2114)	4870 (2209)	<b>5070 (F)</b> <b>(2300) (F)</b>	5260 (2386)	5450 (2472)	<b>5640 (G)</b> <b>(2558) (G)</b>	5820 (2640)	6000 (2722)	<b>6170 (H)</b> <b>(2799) (H)</b>		
	SINGLE	4820 (2186)	5070 (2300)	5310 (2409)	5550 (2517)	<b>5780 (F)</b> <b>(2622) (F)</b>	6000 (2722)	6210 (2817)	6430 (G) (2917) (G)	6630 (3007)	6840 (3103)	<b>7030 (H)</b> <b>(3189) (H)</b>
11.00*20	DUAL	4780 (2168)	4990 (2263)	<b>5190 (F)</b> <b>(2354) (F)</b>	5390 (2445)	5590 (2536)	<b>5780 (G)</b> <b>(2622) (G)</b>	5960 (2703)	6150 (2790)	<b>6320 (H)</b> <b>(2867) (H)</b>		
	SINGLE	4940 (2241)	5200 (2359)	5450 (2472)	5690 (2581)	<b>5920 (F)</b> <b>(2685) (F)</b>	6140 (2785)	6370 (2889)	<b>6590 (G)</b> <b>(2989) (G)</b>	6790 (3080)	7010 (3180)	<b>7200 (H)</b> <b>(3266) (H)</b>
11.00*22	DUAL	5080 (2304)	5300 (2404)	<b>5520 (F)</b> <b>(2504) (F)</b>	5730 (2599)	5940 (2694)	<b>6140 (G)</b> <b>(2785) (G)</b>	6330 (2871)	6530 (2962)	<b>6720 (H)</b> <b>(3048) (H)</b>		
	SINGLE	5240 (2377)	5520 (2504)	5790 (2626)	6040 (2740)	<b>6290 (F)</b> <b>(2853) (F)</b>	6530 (2962)	6770 (3071)	<b>7000 (G)</b> <b>(3175) (G)</b>	7220 (3275)	7440 (3375)	<b>7660 (H)</b> <b>(3475) (H)</b>
11.00*24	DUAL	5390 (2445)	5630 (2554)	<b>5860 (F)</b> <b>(2658) (F)</b>	6090 (2762)	6310 (2862)	<b>6520 (G)</b> <b>(2957) (G)</b>	6730 (3053)	6930 (3143)	<b>7130 (H)</b> <b>(3234) (H)</b>		
	SINGLE	5570 (2527)	5860 (2658)	6140 (2785)	6420 (2912)	<b>6680 (F)</b> <b>(3030) (F)</b>	6940 (3148)	7190 (3261)	<b>7430 (G)</b> <b>(3370) (G)</b>	7670 (3479)	7900 (3583)	<b>8130 (H)</b> <b>(3688) (H)</b>
12.00*20	DUAL	5440 (2468)	5680 (2576)	5910 (2681)	<b>6140 (G)</b> <b>(2785) (G)</b>	6360 (2885)	6580 (2985)	<b>6790 (H)</b> <b>(3080) (H)</b>	7000 (3175)	<b>7200 (J)</b> <b>(3266) (J)</b>		
	SINGLE	5620 (2549)	5920 (2685)	6200 (2812)	6480 (2939)	6740 (3057)	<b>7000 (G)</b> <b>(3175) (G)</b>	7250 (3289)	7500 (3402)	<b>7740 (H)</b> <b>(3511) (H)</b>	7980 (3620)	<b>8210 (J)</b> <b>(3724) (J)</b>
12.00*24	DUAL	6120 (2776)	6390 (2898)	6650 (3016)	<b>6910 (G)</b> <b>(3134) (G)</b>	7160 (3248)	7410 (3361)	<b>7640 (H)</b> <b>(3465) (H)</b>	7870 (3570)	<b>8100 (J)</b> <b>(3674) (J)</b>		
	SINGLE	6330 (2871)	6660 (3021)	6980 (3166)	7280 (3302)	7580 (3438)	<b>7880 (G)</b> <b>(3574) (G)</b>	8160 (3701)	8450 (3833)	<b>8710 (H)</b> <b>(3951) (H)</b>	8970 (4069)	<b>9230 (J)</b> <b>(4187) (J)</b>

\* Tire size designation will include "R" (Radial Ply)

**NOTE:** Values shown in parentheses denote load range and values shown in bold are maximum loads.

TIRES FOR TRUCKS IN NORMAL HIGHWAY SERVICE (TIRES MOUNTED ON 15° DROP CENTER RIMS)													
TIRE SIZE	USAGE	TIRE LOAD LIMITS, LBS (kg), AT VARIOUS COLD INFLATION PRESSURES, PSI (kPa)											
		Radial Ply											
		65 (448)	70 (483)	75 (517)	80 (552)	85 (586)	90 (621)	95 (655)	100 (690)	105 (724)	110 (758)	115 (793)	120 (827)
225/70R19.5	DUAL	<b>2600 (D)</b> <b>(1179) (D)</b>	2720 (1234)	2860 (1297)	<b>3000 (E)</b> <b>(1361) (E)</b>	3115 (1413)	3245 (1472)	<b>3415 (F)</b> <b>(1549) (F)</b>	3490 (1583)	3615 (1640)	<b>3750 (G)</b> <b>(1701) (G)</b>		
	SINGLE	<b>2755 (D)</b> <b>(1250) (D)</b>	2895 (1313)	3040 (1379)	<b>3195 (E)</b> <b>(1449) (E)</b>	3315 (1504)	3450 (1565)	<b>3640 (F)</b> <b>(1651) (F)</b>	3715 (1685)	3845 (1744)	<b>3970 (G)</b> <b>(1801) (G)</b>		
245/70R19.5	DUAL				3415 (1549)	3515 (1594)	3655 (1658)	<b>3860 (F)</b> <b>(1751) (F)</b>	3940 (1787)	4075 (1848)	<b>4300 (G)</b> <b>(1950) (G)</b>	4345 (1971)	<b>4540 (H)</b> <b>(2059) (H)</b>
	SINGLE				3640 (1651)	3740 (1696)	3890 (1764)	<b>4080 (F)</b> <b>(1851) (F)</b>	4190 (1901)	4335 (1966)	<b>4540 (G)</b> <b>(2059) (G)</b>	4620 (2096)	<b>4805 (H)</b> <b>(2180) (H)</b>
265/70R19.5	DUAL				3750 (1701)	3930 (1783)	4095 (1857)	4300 (1950)	4405 (1998)	4415 (2003)	<b>4675 (G)</b> <b>(2121) (G)</b>		
	SINGLE				3970 (1801)	4180 (1896)	4355 (1975)	4540 (2059)	4685 (2125)	4850 (2200)	<b>5070 (G)</b> <b>(2300) (G)</b>		

TIRES FOR TRUCKS IN NORMAL HIGHWAY SERVICE (TIRES MOUNTED ON 15° DROP CENTER RIMS)													
TIRE SIZE	USAGE	TIRE LOAD LIMITS, LBS (kg), AT VARIOUS COLD INFLATION PRESSURES, PSI (kPa)											
		Radial Ply											
		65 (448)	70 (483)	75 (517)	80 (552)	85 (586)	90 (621)	95 (655)	100 (690)	105 (724)	110 (758)	115 (793)	120 (827)
305/70R19.5	DUAL				4540 (2059)	4670 (2118)	4860 (2204)	5070 (2300)	5230 (2372)	5410 (2454)	<b>5675 (H)</b> <b>(2574) (H)</b>	5770 (2617)	<b>6005 (J)</b> <b>(2724) (J)</b>
	SINGLE				4940 (2241)	5130 (2327)	5340 (2422)	5510 (2499)	5745 (2606)	5945 (2697)	<b>6175 (H)</b> <b>(2801) (H)</b>	6340 (2876)	<b>6610 (J)</b> <b>(2998) (J)</b>
255/70R22.5	DUAL				3970 (1801)	4110 (1864)	4275 (1939)	4410 (2000)	4455 (2021)	4610 (2091)	<b>4675 (G)</b> <b>(2121) (G)</b>	4915 (2229)	<b>5070 (H)</b> <b>(2300) (H)</b>
	SINGLE				4190 (1901)	4370 (1982)	4550 (2064)	4675 (2121)	4895 (2220)	5065 (2297)	<b>5205 (G)</b> <b>(2361) (G)</b>	5400 (2449)	<b>5510 (H)</b> <b>(2499) (H)</b>
305/75R22.5	DUAL							5840 (2649)	6025 (2733)	6235 (2828)	6610 (2998)	6640 (3012)	<b>6940 (J)</b> <b>(3148) (J)</b>
	SINGLE							6395 (2901)	6620 (3003)	6850 (3107)	7160 (3248)	7300 (3311)	<b>7610 (J)</b> <b>(3452) (J)</b>
305/85R22.5	DUAL				5355 (2429)	5550 (2517)	5780 (2622)	6005 (2724)	6215 (2819)	6435 (2919)	<b>6780 (H)</b> <b>(3075) (H)</b>		
	SINGLE				5840 (2649)	6100 (2767)	6350 (2880)	6610 (2998)	6830 (3098)	7070 (3207)	<b>7390 (H)</b> <b>(3352) (H)</b>		

**NOTE:** Values shown in parentheses denote load range and values shown in bold are maximum loads.

For Reference Only



**Specifications**

**Hydraulic System**

Requirements:

- Boom Lift Up/Down..... 29 GPM (98 LPM), 3600 psi +100/-0 (24.8 MPa +689/-0 kPa)
  - Boom Telescope Out ..... 29 GPM (98 LPM), 2800 psi +100/-0 (19.3 MPa +689/-0 kPa)
  - Boom Telescope In ..... 29 GPM (98 LPM), 2950 psi +100/-0 (20.3 MPa +689/-0 kPa)
  - Hoist System ..... 34 GPM (129 LPM), 3300 psi +100/-0 (22.75 MPa +689/-0 kPa)
  - Outrigger ..... 14 GPM (53LPM), 3000 psi +100/-0 (20.68) MPa +689/-0 kPa)
  - Swing..... 12 GPM (53 LPM), 3000 psi +100/-0 (20.68 MPa +689/-0 kPa)
  - Reservoir Capacity ..... 76 gal. (287.6 L) at full mark
  - System Capacity ..... 125 Gallons (473 L)
  - Filtration ..... 10 Micron (Return Filter)
- Flow rates listed are at free flow condition (approx. 100 psi / 698 kPa)

**Hoist System**

Wire cable ..... Standard 325 ft (99 m) of 9/16 in. (14.3 mm) dia. Rotation Resistant Nominal Breaking Strength - 38,500 lbs. (17,463 kg)

Hoist Performance (with 1 part of line)

Layer	Hoist Pull		Hoist Speed		BOS Hoist Speed	
	lbs	(kg)	fpm	(mpm)	fpm	(mpm)
1	10,200	(4626)	111	(33.8)	206	(62.7)
2	9,200	(4173)	123	(37.4)	228	(69.4)
3	8,400	(3810)	135	(41.1)	251	(76.5)
4	7,700	(3492)	147	(44.8)	273	(83.2)
5	7,100	3220	159	(48.4)		

All ratings based on 34 GPM at 3300 psi. (129 LPM at 22.75 MPa)  
 Burst of Speed maximum pull = 3000 lbs. (1361 kg)

**Crane Operating Speeds**

- Rotation, 360° ..... 30 sec. ±5 sec.
- Boom Up, (-10° to 80°) ..... 24 sec. ±5 sec.
- Boom Down, (80° to -10°) ..... 22 sec. ±5 sec.
- Boom Extend ..... 48 fpm ±6 fpm (14.6 mpm ±1.8 mpm)
- Boom Retract ..... 42 fpm ±6 fpm (12.8 mpm ±1.8 mpm)
- Outrigger Beam Extend ..... 8 sec ±3 sec.
- Outrigger Beam Retract..... 7 sec ±3 sec.
- Outrigger Jack Extend ..... 14 sec ±3 sec.
- Outrigger Jack Retract..... 13 sec ±3 sec.

**NOTE:** Crane operating speeds based on engine speed at governed RPM and hydraulic reservoir temperature at 100°F (37.7°C).

For  
Reference  
Only

## Alphabetical Index

Accidents . . . . .	2-1
Anti-two-block Weight Installation . . . . .	4-6
Boom Extension . . . . .	2-21
Cold Weather Operation . . . . .	2-21
Crane Adjustments and Repairs . . . . .	6-4
Crane Cab Climate Controls . . . . .	3-6
Crane Controls . . . . .	3-3
Crane Inspection And Maintenance . . . . .	6-1
Crane Stability/Structural Strength . . . . .	2-4
Electrocution Hazard . . . . .	2-8
Environmental Protection . . . . .	2-11
Hoist Cable Inspection And Maintenance . . . . .	6-2
Hoist Cable Installation . . . . .	4-7
Hoist System Operation . . . . .	3-9
Hydraulic System . . . . .	6-4
Jib Removal . . . . .	4-6
Jib Safety Information . . . . .	4-2
Lifting the Load . . . . .	3-10
Load Chart . . . . .	3-9
Lubrication Points . . . . .	5-3
Multipart Line Reeving . . . . .	4-7
Operating Procedures . . . . .	3-7
Operational Aids . . . . .	2-3
Operator's Information . . . . .	2-2
Operator's Qualifications . . . . .	2-2
Outrigger Controls . . . . .	3-1
Outrigger Setup . . . . .	4-1
Overload Inspection . . . . .	2-23
Parking and Securing . . . . .	2-21
Personnel Handling . . . . .	2-10
Replacement Cable . . . . .	6-3
Safety Messages . . . . .	2-1
Shut Down and preparation Road Travel . . . . .	3-10
Shut-Down . . . . .	2-21
Side Folding-swing Around Jib Operation . . . . .	4-3
Temperature Effects on Hydraulic Cylinders . . . . .	2-22
Transporting the Crane . . . . .	2-15
Travel Operation . . . . .	2-15
Truck Cab Controls . . . . .	3-1
Wedge Sockets . . . . .	4-8
Wire Rope Lubrication . . . . .	5-7
Wireline Reeving . . . . .	4-8
Work Practices . . . . .	2-17
Work Site Location . . . . .	3-9

For  
Reference  
Only