

Liftcrane Luffing Jib Capacities

Luffing Jib No. 135 on Boom No. 74
45 130 kg Crane Counterweight
0 kg Carbody Counterweight
360 Degree Rating



MLC165 SERIES 1



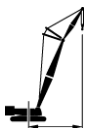
LIFTING CAPACITIES: Lifting capacities for various boom lengths, boom angles, luffing jib lengths, and luffing jib operating radii are for freely suspended loads and do not exceed 75% of a static tipping load. Capacities based on structural competence are denoted by an asterisk (*).

Luffing Jib Backward Stability: Capacities indicated by (b) require 1 280 kg minimum weight suspended beneath luffing jib point. Capacities indicated by (c) require 2 720 kg minimum weight suspended beneath luffing jib point. Capacities indicated by (d) require 4 990 kg minimum weight suspended beneath luffing jib point. **Caution: Do not luff into areas indicated by (b), (c), or (d) without required minimum weights.** Luffing jib will not luff down and luffing hoist wire rope may overhaul luffing jib and cause luffing hoist to go slack causing wire rope damage or failure.

Weight of all load blocks, hooks, weight ball, slings, hoist lines, etc., beneath boom and luffing jib point sheaves is considered part of luffing jib load. Boom and luffing jib are not to be lowered beyond radii where combined weights are greater than rated capacity. Where no capacity is shown, operation is not intended or approved.

OPERATING CONDITIONS: Machine to operate on a firm uniformly supporting surface and bearing turntable level within a tolerance of 13 mm in 3 m and properly supported. During operation, boom must be maintained at one of the selected angles shown in chart. Refer to Luffing Jib Assembly **No. 81022481**, Wire Rope Specification chart **No. 9313-A**, Luffing Jib Raising Procedure chart **No. 9304-AM**, and Wind Conditions chart **No. 9289-A**. Crane operator judgment must be used to allow for dynamic load effects of swinging, hoisting or lowering, travel, wind conditions, as well as adverse operating conditions and physical machine depreciation. Refer to Operator's Manual for operating guidelines.

MACHINE TRAVEL: Machine to travel on a firm, level, and uniformly supporting surface. Boom and luffing jib must be within angle range shown in capacity chart. Refer to Maximum Allowable Travel Specification chart **No. 9312-A**.



OPERATING RADIUS: Operating radius is horizontal distance from axis of rotation to center of vertical hoist line or load block.



BOOM ANGLE: Boom angle in degrees ($^{\circ}$) is angle between horizontal and centerline of boom butt and inserts.



LUFFING JIB ANGLE: Luffing jib angle in degrees ($^{\circ}$) is angle between horizontal and centerline of luffing jib butt and inserts, and is an indication of operating radius. In all cases, operating radius shall govern capacity.



LUFFING JIB POINT ELEVATION: Luffing jib point elevation is vertical distance from ground level to centerline of luffing jib point shaft.

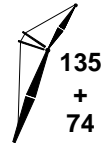
MACHINE EQUIPMENT: Machine equipped with 7 986 mm crawlers, 1 100 mm treads, 7 200 mm live mast, 18 part boom hoist reeving, four 28 mm boom pendants, 8 part luffing jib hoist reeving, two 38 mm luffing jib pendants and backstays, 45 130 kg crane counterweight, and 0 kg carbody counterweight.



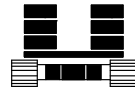
45 130 kg Crane Counterweight
6 Side Boxes

WARNING: Free fall operation is limited to 5 900 kg per part of line when lowering load with free fall clutch/brake pedal. Hydraulic power must be used for full line pull.

Explanation of Symbols



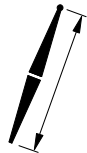
Luffing Jib No. 135
+
Boom No. 74



Crane Counterweight
+
Carbody Counterweight



360 Degree Rating



Boom Length



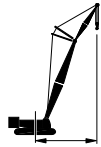
Luffing Jib Length



Boom Angle
(see page 1)

REFERENCE ONLY!

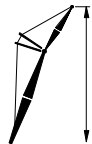
Explanation of Symbols (continued)



Operating Radius
(see page 1)



Luffing Jib Angle
(see page 1)



Luffing Jib Point Elevation
(see page 1)

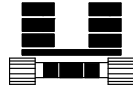
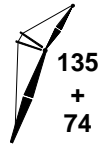


Lifting Capacities
(see page 1)

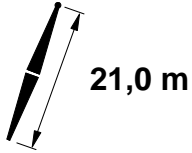
REFERENCE ONLY!





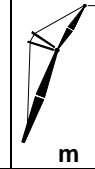



MLC165 S-1

ASME B30.5



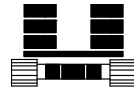
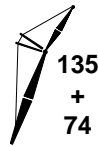
45 130 kg
+
0 kg



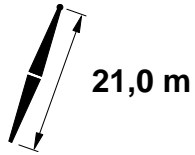
| | 87° | | | 83° | | | 80° | | | |
|------|---|---|--|---|--|--|--|---|----------|------|
| |  m |  m |  kg |  m |  kg |  m |  kg |  m | | |
| 9,1 | 73,8 | 43,5 | 50 000 *d | | | | | | 9,1 | |
| 10,0 | 71,4 | 43,2 | 50 000 *d | | | | | | 10,0 | |
| 12,0 | 65,7 | 42,5 | 46 200 c | | | | | | 12,0 | |
| 14,0 | 59,6 | 41,4 | 37 400 c | 64,0 | 42,0 | 36 200 b | | | 14,0 | |
| 16,0 | 53,1 | 40,1 | 31 400 b | 57,9 | 40,9 | 30 400 b | 61,3 | 41,4 | 29 700 b | 16,0 |
| 18,0 | 46,1 | 38,4 | 26 900 b | 51,3 | 39,5 | 26 100 | 54,9 | 40,1 | 25 400 | 18,0 |
| 20,0 | 38,1 | 36,2 | 23 500 b | 44,0 | 37,7 | 22 800 | 48,1 | 38,5 | 22 200 | 20,0 |
| 22,0 | 28,2 | 33,1 | 20 800 | 35,6 | 35,3 | 20 100 | 40,4 | 36,5 | 19 600 | 22,0 |
| 24,0 | 12,9 | 27,8 | 18 500 | 25,0 | 31,9 | 17 900 | 31,2 | 33,7 | 17 500 | 24,0 |
| 26,0 | | | | | | | | | | 26,0 |
| 28,0 | | | | | | | | | | 28,0 |
| 30,0 | | | | | | | | | | 30,0 |
| 32,0 | | | | | | | | | | 32,0 |


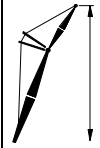


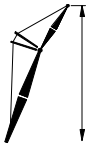


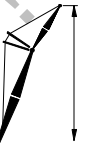

MLC165 S-1

ASME B30.5



45 130 kg
+
0 kg

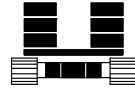
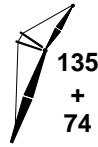


| | 75° | | | 70° | | | 65° | | | |
|------|---|---|--|---|---|--|---|---|--|------|
| |  m |  m |  kg |  m |  m |  kg |  m |  m |  kg | |
| 9,1 | | | | | | | | | | 9,1 |
| 10,0 | | | | | | | | | | 10,0 |
| 12,0 | | | | | | | | | | 12,0 |
| 14,0 | | | | | | | | | | 14,0 |
| 16,0 | | | | | | | | | | 16,0 |
| 18,0 | | | | | | | | | | 18,0 |
| 20,0 | 54,2 | 39,5 | 21 200 | | | | | | | 20,0 |
| 22,0 | 47,2 | 37,9 | 18 700 | 53,3 | 38,7 | 17 900 | | | | 22,0 |
| 24,0 | 39,4 | 35,7 | 16 700 | 46,3 | 37,0 | 16 000 | | | | 24,0 |
| 26,0 | 30,0 | 32,9 | 15 100 | 38,3 | 34,8 | 14 400 | 45,0 | 35,9 | 13 700 | 26,0 |
| 28,0 | | | | 28,5 | 31,8 | 13 000 | 36,8 | 33,6 | 12 400 | 28,0 |
| 30,0 | | | | 13,4 | 26,5 | 11 800 | 26,6 | 30,4 | 11 300 | 30,0 |
| 32,0 | | | | | | | 8,8 | 24,1 | 10 200 | 32,0 |

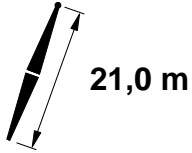
REFERENCE ONLY





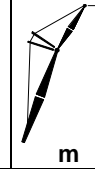



MLC165 S-1

ASME B30.5



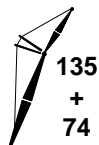
45 130 kg
+
0 kg



| | 87° | | | 83° | | | 80° | | | |
|------|---|---|--|---|--|--|--|---|----------|------|
| |  m |  m |  kg |  m |  kg |  m |  kg |  m | | |
| 9,8 | 74,4 | 46,5 | 46 900 *d | | | | | | 9,8 | |
| 10,0 | 73,8 | 46,4 | 46 900 *d | | | | | | 10,0 | |
| 12,0 | 68,9 | 45,8 | 44 900 *c | | | | | | 12,0 | |
| 14,0 | 63,7 | 44,9 | 37 400 c | 67,5 | 45,4 | 36 200 b | | | 14,0 | |
| 16,0 | 58,3 | 43,8 | 31 300 b | 62,3 | 44,4 | 30 300 b | 65,1 | 44,8 | 29 600 b | 16,0 |
| 18,0 | 52,6 | 42,4 | 26 900 b | 56,8 | 43,3 | 26 000 | 59,8 | 43,7 | 25 300 | 18,0 |
| 20,0 | 46,5 | 40,7 | 23 500 | 51,0 | 41,8 | 22 700 | 54,2 | 42,4 | 22 000 | 20,0 |
| 22,0 | 39,6 | 38,6 | 20 700 | 44,7 | 40,0 | 20 000 | 48,2 | 40,8 | 19 500 | 22,0 |
| 24,0 | 31,5 | 35,8 | 18 500 | 37,5 | 37,7 | 17 900 | 41,5 | 38,8 | 17 400 | 24,0 |
| 26,0 | 20,8 | 31,7 | 16 700 | 28,9 | 34,6 | 16 100 | 33,8 | 36,2 | 15 700 | 26,0 |
| 28,0 | | | | 16,8 | 29,9 | 14 500 | 24,1 | 32,6 | 14 200 | 28,0 |
| 30,0 | | | | | | | | | | 30,0 |
| 32,0 | | | | | | | | | | 32,0 |
| 34,0 | | | | | | | | | | 34,0 |

MLC165 S-1

ASME B30.5



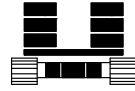
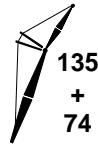
45 130 kg
+
0 kg



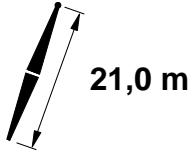
| | 75° | | | 70° | | | 65° | | | |
|------|------|------|--------|------|------|--------|------|------|--------|------|
| | m | m | kg | m | m | kg | m | m | kg | |
| 9,8 | | | | | | | | | | 9,8 |
| 10,0 | | | | | | | | | | 10,0 |
| 12,0 | | | | | | | | | | 12,0 |
| 14,0 | | | | | | | | | | 14,0 |
| 16,0 | | | | | | | | | | 16,0 |
| 18,0 | | | | | | | | | | 18,0 |
| 20,0 | 59,2 | 43,1 | 21 100 | | | | | | | 20,0 |
| 22,0 | 53,6 | 41,8 | 18 600 | | | | | | | 22,0 |
| 24,0 | 47,5 | 40,2 | 16 600 | 52,8 | 41,0 | 15 900 | | | | 24,0 |
| 26,0 | 40,7 | 38,1 | 14 900 | 46,6 | 39,3 | 14 200 | 51,8 | 40,0 | 13 500 | 26,0 |
| 28,0 | 32,9 | 35,4 | 13 500 | 39,7 | 37,2 | 12 900 | 45,5 | 38,2 | 12 300 | 28,0 |
| 30,0 | 22,8 | 31,6 | 12 300 | 31,7 | 34,4 | 11 700 | 38,5 | 36,0 | 11 200 | 30,0 |
| 32,0 | | | | 21,1 | 30,4 | 10 700 | 30,2 | 33,1 | 10 200 | 32,0 |
| 34,0 | | | | | | | 18,8 | 28,7 | 9 300 | 34,0 |

MLC165 S-1

ASME B30.5



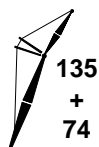
45 130 kg
+
0 kg



| | 87° | | | 83° | | | 80° | | | |
|------|------|------|-----------|------|------|----------|------|------|--------|------|
| | | | | | | | | | | |
| | m | m | kg | m | m | kg | m | kg | m | |
| 10,4 | 74,9 | 49,5 | 42 400 *d | | | | | | | 10,4 |
| 12,0 | 71,3 | 49,0 | 40 500 *c | | | | | | | 12,0 |
| 14,0 | 66,8 | 48,2 | 37 600 *c | 70,1 | 48,6 | 36 100 b | | | | 14,0 |
| 16,0 | 62,2 | 47,3 | 31 300 b | 65,6 | 47,8 | 30 200 b | | | | 16,0 |
| 18,0 | 57,4 | 46,1 | 26 800 b | 60,9 | 46,8 | 25 900 | 63,5 | 47,2 | 25 200 | 18,0 |
| 20,0 | 52,2 | 44,7 | 23 400 b | 56,0 | 45,6 | 22 600 | 58,7 | 46,1 | 22 000 | 20,0 |
| 22,0 | 46,7 | 43,0 | 20 700 | 50,8 | 44,1 | 20 000 | 53,7 | 44,7 | 19 400 | 22,0 |
| 24,0 | 40,7 | 40,9 | 18 500 | 45,2 | 42,3 | 17 800 | 48,3 | 43,1 | 17 400 | 24,0 |
| 26,0 | 33,8 | 38,3 | 16 700 | 38,9 | 40,1 | 16 100 | 42,4 | 41,1 | 15 600 | 26,0 |
| 28,0 | 25,3 | 34,8 | 15 100 | 31,7 | 37,3 | 14 600 | 35,8 | 38,7 | 14 200 | 28,0 |
| 30,0 | 12,4 | 28,9 | 13 700 | 22,5 | 33,4 | 13 300 | 27,8 | 35,5 | 12 900 | 30,0 |
| 32,0 | | | | 4,7 | 25,1 | 12 100 | 16,8 | 30,6 | 11 800 | 32,0 |
| 34,0 | | | | | | | | | | 34,0 |
| 36,0 | | | | | | | | | | 36,0 |
| 38,0 | | | | | | | | | | 38,0 |

MLC165 S-1

ASME B30.5



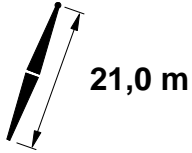
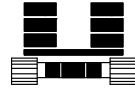
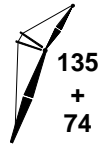
45 130 kg
+
0 kg




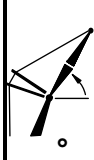
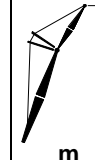





| | 75° | | | 70° | | | 65° | | | |
|------|------|------|--------|------|------|--------|------|------|--------|------|
| | | | | | | | | | | |
| | m | m | kg | m | m | kg | m | m | kg | m |
| 10,4 | | | | | | | | | | 10,4 |
| 12,0 | | | | | | | | | | 12,0 |
| 14,0 | | | | | | | | | | 14,0 |
| 16,0 | | | | | | | | | | 16,0 |
| 18,0 | | | | | | | | | | 18,0 |
| 20,0 | | | | | | | | | | 20,0 |
| 22,0 | 58,1 | 45,5 | 18 600 | | | | | | | 22,0 |
| 24,0 | 53,1 | 44,1 | 16 500 | | | | | | | 24,0 |
| 26,0 | 47,6 | 42,5 | 14 900 | 52,4 | 43,3 | 14 200 | | | | 26,0 |
| 28,0 | 41,7 | 40,4 | 13 500 | 46,9 | 41,6 | 12 800 | | | | 28,0 |
| 30,0 | 35,0 | 37,9 | 12 300 | 40,8 | 39,5 | 11 700 | 51,5 | 42,3 | 12 200 | 30,0 |
| 32,0 | 26,8 | 34,6 | 11 200 | 34,0 | 36,9 | 10 700 | 45,9 | 40,5 | 11 100 | 32,0 |
| 34,0 | | | | 25,5 | 33,4 | 9 800 | 39,8 | 38,4 | 10 100 | 34,0 |
| 36,0 | | | | 12,8 | 27,6 | 9 000 | 32,7 | 35,7 | 9 300 | 36,0 |
| 38,0 | | | | | | | 23,9 | 31,9 | 8 500 | 38,0 |
| | | | | | | | 9,1 | 25,2 | 7 800 | |

MLC165 S-1

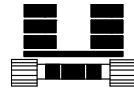
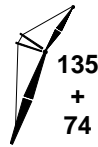
ASME B30.5



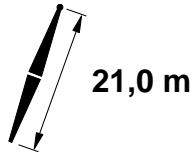
| | 87° | | | 83° | | | 80° | | | |
|------|---|---|--|---|--|--|--|---|--------|------|
| |  m |  m |  kg |  m |  kg |  m |  kg |  m | | |
| 11,6 | 74,0 | 52,3 | 37 300 *d | | | | | | 11,6 | |
| 12,0 | 73,2 | 52,2 | 36 800 *c | | | | | | 12,0 | |
| 14,0 | 69,3 | 51,5 | 34 500 *c | | | | | | 14,0 | |
| 16,0 | 65,2 | 50,7 | 31 500 *b | 68,2 | 51,1 | 30 200 b | | | 16,0 | |
| 18,0 | 61,0 | 49,7 | 26 700 b | 64,0 | 50,3 | 25 800 | | | 18,0 | |
| 20,0 | 56,6 | 48,5 | 23 300 b | 59,8 | 49,2 | 22 500 | 62,1 | 49,6 | 21 900 | 20,0 |
| 22,0 | 51,9 | 47,0 | 20 600 | 55,3 | 47,9 | 19 900 | 57,8 | 48,4 | 19 300 | 22,0 |
| 24,0 | 47,0 | 45,3 | 18 400 | 50,6 | 46,4 | 17 700 | 53,2 | 47,1 | 17 200 | 24,0 |
| 26,0 | 41,6 | 43,3 | 16 600 | 45,6 | 44,6 | 15 900 | 48,3 | 45,4 | 15 500 | 26,0 |
| 28,0 | 35,6 | 40,7 | 15 000 | 40,0 | 42,4 | 14 500 | 43,1 | 43,5 | 14 000 | 28,0 |
| 30,0 | 28,5 | 37,5 | 13 700 | 33,8 | 39,8 | 13 200 | 37,3 | 41,1 | 12 800 | 30,0 |
| 32,0 | 19,1 | 33,0 | 12 500 | 26,2 | 36,3 | 12 100 | 30,5 | 38,1 | 11 700 | 32,0 |
| 34,0 | | | | 15,7 | 31,1 | 11 100 | 22,0 | 34,1 | 10 800 | 34,0 |
| 36,0 | | | | | | | | | | 36,0 |
| 38,0 | | | | | | | | | | 38,0 |
| 40,0 | | | | | | | | | | 40,0 |

MLC165 S-1

ASME B30.5



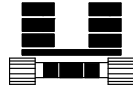
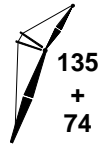
45 130 kg
+
0 kg



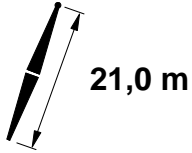
| m | 75° | | | 70° | | | 65° | | | m |
|------|------|------|--------|------|------|--------|------|------|--------|------|
| | m | m | kg | m | m | kg | m | m | kg | |
| 11,6 | | | | | | | | | | 11,6 |
| 12,0 | | | | | | | | | | 12,0 |
| 14,0 | | | | | | | | | | 14,0 |
| 16,0 | | | | | | | | | | 16,0 |
| 18,0 | | | | | | | | | | 18,0 |
| 20,0 | | | | | | | | | | 20,0 |
| 22,0 | | | | | | | | | | 22,0 |
| 24,0 | 57,3 | 47,8 | 16 400 | | | | | | | 24,0 |
| 26,0 | 52,7 | 46,4 | 14 800 | 56,7 | 47,0 | 14 000 | | | | 26,0 |
| 28,0 | 47,8 | 44,8 | 13 400 | 52,0 | 45,6 | 12 700 | | | | 28,0 |
| 30,0 | 42,5 | 42,8 | 12 200 | 47,1 | 43,9 | 11 500 | | | | 30,0 |
| 32,0 | 36,6 | 40,4 | 11 100 | 41,7 | 41,9 | 10 600 | 46,2 | 42,8 | 10 000 | 32,0 |
| 34,0 | 29,7 | 37,3 | 10 200 | 35,7 | 39,4 | 9 700 | 40,8 | 40,7 | 9 200 | 34,0 |
| 36,0 | 20,9 | 33,0 | 9 400 | 28,6 | 36,2 | 8 900 | 34,6 | 38,1 | 8 400 | 36,0 |
| 38,0 | | | | 19,4 | 31,7 | 8 200 | 27,3 | 34,8 | 7 800 | 38,0 |
| 40,0 | | | | | | | 17,4 | 29,9 | 7 200 | 40,0 |

MLC165 S-1

ASME B30.5



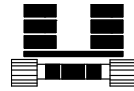
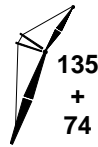
45 130 kg
+
0 kg



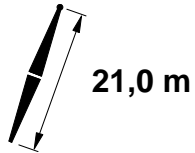
| m | 87° | | | 83° | | | 80° | | | m |
|------|------|------|-----------|------|------|--------|------|------|--------|------|
| | m | m | kg | m | m | kg | m | m | kg | |
| 12,2 | 74,4 | 55,3 | 34 000 *c | | | | | | | 12,2 |
| 14,0 | 71,2 | 54,8 | 32 400 *c | | | | | | | 14,0 |
| 16,0 | 67,6 | 54,0 | 30 400 *b | | | | | | | 16,0 |
| 18,0 | 63,8 | 53,1 | 26 800 b | 66,6 | 53,6 | 25 800 | | | | 18,0 |
| 20,0 | 59,9 | 52,0 | 23 200 | 62,8 | 52,7 | 22 400 | 64,8 | 53,0 | 21 800 | 20,0 |
| 22,0 | 55,9 | 50,8 | 20 600 | 58,9 | 51,5 | 19 800 | 61,0 | 52,0 | 19 300 | 22,0 |
| 24,0 | 51,7 | 49,3 | 18 400 | 54,8 | 50,2 | 17 700 | 57,0 | 50,8 | 17 200 | 24,0 |
| 26,0 | 47,2 | 47,6 | 16 600 | 50,5 | 48,7 | 15 900 | 52,8 | 49,4 | 15 500 | 26,0 |
| 28,0 | 42,3 | 45,6 | 15 000 | 45,9 | 46,9 | 14 400 | 48,4 | 47,7 | 14 000 | 28,0 |
| 30,0 | 36,9 | 43,2 | 13 700 | 40,9 | 44,8 | 13 200 | 43,7 | 45,8 | 12 800 | 30,0 |
| 32,0 | 30,8 | 40,2 | 12 600 | 35,4 | 42,3 | 12 100 | 38,4 | 43,5 | 11 700 | 32,0 |
| 34,0 | 23,3 | 36,3 | 11 600 | 28,9 | 39,1 | 11 100 | 32,6 | 40,7 | 10 800 | 34,0 |
| 36,0 | 12,0 | 30,0 | 10 600 | 20,8 | 34,8 | 10 300 | 25,5 | 37,1 | 10 000 | 36,0 |
| 38,0 | | | | 6,1 | 26,4 | 9 500 | 15,8 | 31,8 | 9 200 | 38,0 |
| 40,0 | | | | | | | | | | 40,0 |
| 42,0 | | | | | | | | | | 42,0 |
| 44,0 | | | | | | | | | | 44,0 |

MLC165 S-1

ASME B30.5



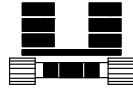
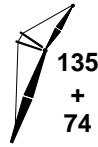
45 130 kg
+
0 kg



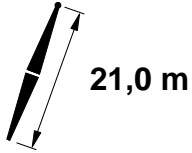
| | 75° | | | 70° | | | 65° | | | |
|------|------|------|--------|------|------|--------|------|------|--------|------|
| | m | m | kg | m | m | kg | m | m | kg | |
| 12,2 | | | | | | | | | | 12,2 |
| 14,0 | | | | | | | | | | 14,0 |
| 16,0 | | | | | | | | | | 16,0 |
| 18,0 | | | | | | | | | | 18,0 |
| 20,0 | | | | | | | | | | 20,0 |
| 22,0 | | | | | | | | | | 22,0 |
| 24,0 | 60,6 | 51,4 | 16 400 | | | | | | | 24,0 |
| 26,0 | 56,5 | 50,2 | 14 700 | | | | | | | 26,0 |
| 28,0 | 52,3 | 48,7 | 13 300 | 56,0 | 49,4 | 12 700 | | | | 28,0 |
| 30,0 | 47,9 | 47,1 | 12 100 | 51,8 | 47,9 | 11 500 | | | | 30,0 |
| 32,0 | 43,1 | 45,1 | 11 100 | 47,3 | 46,2 | 10 500 | 51,0 | 46,9 | 10 000 | 32,0 |
| 34,0 | 37,8 | 42,8 | 10 200 | 42,4 | 44,2 | 9 700 | 46,5 | 45,1 | 9 200 | 34,0 |
| 36,0 | 31,8 | 39,9 | 9 400 | 37,1 | 41,8 | 8 900 | 41,6 | 43,1 | 8 400 | 36,0 |
| 38,0 | 24,6 | 36,2 | 8 700 | 31,0 | 38,8 | 8 200 | 36,1 | 40,6 | 7 800 | 38,0 |
| 40,0 | | | | 23,5 | 34,9 | 7 600 | 29,8 | 37,5 | 7 200 | 40,0 |
| 42,0 | | | | 12,3 | 28,8 | 7 100 | 22,0 | 33,4 | 6 700 | 42,0 |
| 44,0 | | | | | | | 9,3 | 26,3 | 6 200 | 44,0 |




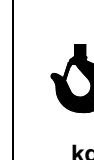

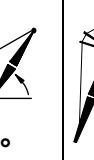




MLC165 S-1

ASME B30.5



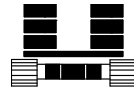
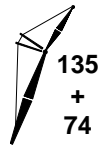
45 130 kg
+
0 kg



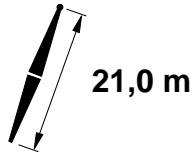
| | 87° | | | 83° | | | 80° | | | | |
|------|---|---|---|--|---|--|---|--|--|--|--|
| |  m |  m |  m |  kg |  m |  kg |  m |  kg |  m | |  kg |
| 13,7 | 73,3 | 58,1 | 30 200 *c | | | | | | | | 13,7 |
| 14,0 | 72,8 | 58,0 | 30 000 *c | | | | | | | | 14,0 |
| 16,0 | 69,5 | 57,3 | 28 400 *b | | | | | | | | 16,0 |
| 18,0 | 66,1 | 56,5 | 26 400 b | 68,6 | 56,9 | 25 700 | | | | | 18,0 |
| 20,0 | 62,7 | 55,5 | 23 200 | 65,2 | 56,1 | 22 300 | 67,1 | 56,3 | 21 700 | | 20,0 |
| 22,0 | 59,1 | 54,4 | 20 400 | 61,7 | 55,1 | 19 700 | 63,6 | 55,4 | 19 100 | | 22,0 |
| 24,0 | 55,3 | 53,1 | 18 200 | 58,1 | 53,9 | 17 600 | 60,1 | 54,3 | 17 000 | | 24,0 |
| 26,0 | 51,4 | 51,6 | 16 400 | 54,3 | 52,6 | 15 800 | 56,4 | 53,1 | 15 300 | | 26,0 |
| 28,0 | 47,3 | 49,9 | 14 900 | 50,3 | 51,0 | 14 300 | 52,5 | 51,7 | 13 900 | | 28,0 |
| 30,0 | 42,9 | 47,9 | 13 600 | 46,1 | 49,2 | 13 100 | 48,5 | 50,0 | 12 700 | | 30,0 |
| 32,0 | 38,1 | 45,6 | 12 500 | 41,6 | 47,1 | 12 000 | 44,1 | 48,1 | 11 600 | | 32,0 |
| 34,0 | 32,6 | 42,8 | 11 500 | 36,7 | 44,7 | 11 000 | 39,4 | 45,9 | 10 700 | | 34,0 |
| 36,0 | 26,3 | 39,2 | 10 600 | 31,0 | 41,7 | 10 200 | 34,2 | 43,2 | 9 800 | | 36,0 |
| 38,0 | 17,9 | 34,3 | 9 800 | 24,3 | 37,9 | 9 400 | 28,1 | 39,9 | 9 100 | | 38,0 |
| 40,0 | | | | 14,9 | 32,3 | 8 700 | 20,5 | 35,5 | 8 400 | | 40,0 |
| 42,0 | | | | | | | | | | | 42,0 |
| 44,0 | | | | | | | | | | | 44,0 |
| 46,0 | | | | | | | | | | | 46,0 |


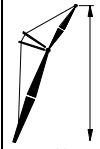


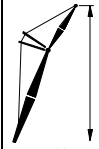


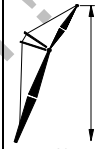

MLC165 S-1

ASME B30.5



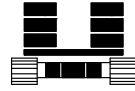
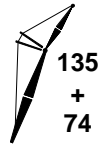
45 130 kg
+
0 kg



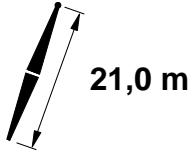
| | 75° | | | 70° | | | 65° | | | |
|------|---|---|--|---|---|--|---|---|--|------|
| |  m |  m |  kg |  m |  m |  kg |  m |  m |  kg | |
| 13,7 | | | | | | | | | | 13,7 |
| 14,0 | | | | | | | | | | 14,0 |
| 16,0 | | | | | | | | | | 16,0 |
| 18,0 | | | | | | | | | | 18,0 |
| 20,0 | | | | | | | | | | 20,0 |
| 22,0 | | | | | | | | | | 22,0 |
| 24,0 | | | | | | | | | | 24,0 |
| 26,0 | 59,6 | 53,8 | 14 600 | | | | | | | 26,0 |
| 28,0 | 55,9 | 52,5 | 13 200 | | | | | | | 28,0 |
| 30,0 | 52,1 | 51,0 | 12 000 | 55,4 | 51,7 | 11 400 | | | | 30,0 |
| 32,0 | 48,0 | 49,4 | 11 000 | 51,5 | 50,2 | 10 400 | | | | 32,0 |
| 34,0 | 43,6 | 47,4 | 10 100 | 47,4 | 48,5 | 9 600 | 50,9 | 49,2 | 9 000 | 34,0 |
| 36,0 | 38,9 | 45,1 | 9 300 | 43,0 | 46,5 | 8 800 | 46,7 | 47,5 | 8 300 | 36,0 |
| 38,0 | 33,5 | 42,4 | 8 600 | 38,2 | 44,2 | 8 100 | 42,2 | 45,4 | 7 600 | 38,0 |
| 40,0 | 27,4 | 39,0 | 8 000 | 32,8 | 41,4 | 7 500 | 37,3 | 43,0 | 7 100 | 40,0 |
| 42,0 | 19,5 | 34,4 | 7 400 | 26,4 | 37,9 | 7 000 | 31,8 | 40,1 | 6 500 | 42,0 |
| 44,0 | | | | 18,2 | 33,0 | 6 500 | 25,2 | 36,4 | 6 100 | 44,0 |
| 46,0 | | | | | | | 16,4 | 31,2 | 5 600 | 46,0 |

MLC165 S-1

ASME B30.5



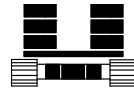
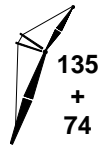
45 130 kg
+
0 kg



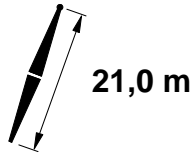
| m | 87° | | | 83° | | | 80° | | | m |
|------|------|------|-----------|------|------|----------|------|------|--------|------|
| | m | m | kg | m | m | kg | m | m | kg | |
| 13,7 | 74,6 | 61,2 | 23 500 *c | | | | | | | 13,7 |
| 14,0 | 74,2 | 61,1 | 23 400 *c | | | | | | | 14,0 |
| 16,0 | 71,2 | 60,5 | 22 800 *b | | | | | | | 16,0 |
| 18,0 | 68,1 | 59,8 | 22 200 *b | | | | | | | 18,0 |
| 20,0 | 64,9 | 58,9 | 21 700 * | 67,2 | 59,4 | 22 200 * | | | | 20,0 |
| 22,0 | 61,7 | 57,9 | 20 400 * | 64,0 | 58,5 | 19 600 | 65,8 | 58,8 | 19 100 | 22,0 |
| 24,0 | 58,3 | 56,8 | 18 200 | 60,8 | 57,4 | 17 500 | 62,6 | 57,8 | 17 000 | 24,0 |
| 26,0 | 54,9 | 55,4 | 16 300 | 57,4 | 56,2 | 15 700 | 59,3 | 56,7 | 15 300 | 26,0 |
| 28,0 | 51,3 | 53,9 | 14 800 | 53,9 | 54,9 | 14 200 | 55,8 | 55,4 | 13 800 | 28,0 |
| 30,0 | 47,4 | 52,2 | 13 500 | 50,2 | 53,3 | 13 000 | 52,2 | 54,0 | 12 600 | 30,0 |
| 32,0 | 43,4 | 50,2 | 12 400 | 46,4 | 51,5 | 11 900 | 48,5 | 52,3 | 11 500 | 32,0 |
| 34,0 | 39,0 | 48,0 | 11 400 | 42,2 | 49,5 | 10 900 | 44,5 | 50,4 | 10 600 | 34,0 |
| 36,0 | 34,1 | 45,3 | 10 500 | 37,7 | 47,1 | 10 100 | 40,2 | 48,2 | 9 800 | 36,0 |
| 38,0 | 28,6 | 42,0 | 9 700 | 32,7 | 44,3 | 9 300 | 35,5 | 45,7 | 9 000 | 38,0 |
| 40,0 | 21,8 | 37,7 | 9 000 | 26,9 | 40,8 | 8 700 | 30,2 | 42,6 | 8 400 | 40,0 |
| 42,0 | 11,7 | 31,1 | 8 400 | 19,5 | 36,1 | 8 000 | 23,8 | 38,6 | 7 800 | 42,0 |
| 44,0 | | | | 6,9 | 27,6 | 7 400 | 15,1 | 33,0 | 7 200 | 44,0 |
| 46,0 | | | | | | | | | | 46,0 |
| 48,0 | | | | | | | | | | 48,0 |
| 50,0 | | | | | | | | | | 50,0 |

MLC165 S-1

ASME B30.5



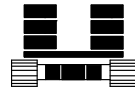
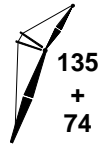
45 130 kg
+
0 kg



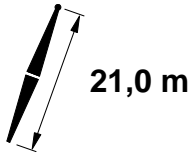
| m | 75° | | | 70° | | | 65° | | | m |
|------|------|------|--------|------|------|--------|------|------|-------|------|
| | m | m | kg | m | m | kg | m | m | kg | |
| 13,7 | | | | | | | | | | 13,7 |
| 14,0 | | | | | | | | | | 14,0 |
| 16,0 | | | | | | | | | | 16,0 |
| 18,0 | | | | | | | | | | 18,0 |
| 20,0 | | | | | | | | | | 20,0 |
| 22,0 | | | | | | | | | | 22,0 |
| 24,0 | | | | | | | | | | 24,0 |
| 26,0 | 62,2 | 57,2 | 14 400 | | | | | | | 26,0 |
| 28,0 | 58,9 | 56,1 | 13 100 | | | | | | | 28,0 |
| 30,0 | 55,4 | 54,8 | 11 900 | | | | | | | 30,0 |
| 32,0 | 51,8 | 53,4 | 10 900 | 55,0 | 54,0 | 10 300 | | | | 32,0 |
| 34,0 | 48,1 | 51,7 | 10 000 | 51,3 | 52,5 | 9 400 | | | | 34,0 |
| 36,0 | 44,0 | 49,7 | 9 200 | 47,5 | 50,8 | 8 700 | 50,7 | 51,5 | 8 200 | 36,0 |
| 38,0 | 39,7 | 47,5 | 8 500 | 43,5 | 48,9 | 8 000 | 46,9 | 49,8 | 7 500 | 38,0 |
| 40,0 | 34,9 | 44,9 | 7 900 | 39,1 | 46,6 | 7 400 | 42,8 | 47,7 | 7 000 | 40,0 |
| 42,0 | 29,5 | 41,7 | 7 300 | 34,2 | 43,9 | 6 900 | 38,3 | 45,4 | 6 500 | 42,0 |
| 44,0 | 23,0 | 37,7 | 6 800 | 28,7 | 40,6 | 6 400 | 33,4 | 42,6 | 6 000 | 44,0 |
| 46,0 | | | | 21,9 | 36,4 | 6 000 | 27,7 | 39,2 | 5 600 | 46,0 |
| 48,0 | | | | 12,0 | 29,8 | 5 500 | 20,6 | 34,8 | 5 200 | 48,0 |
| 50,0 | | | | | | | 9,5 | 27,4 | 4 800 | 50,0 |

MLC165 S-1

ASME B30.5



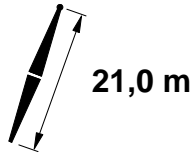
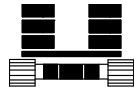
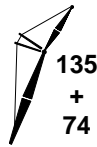
45 130 kg
+
0 kg



| m | 87° | | | 83° | | | 80° | | | m |
|------|------|------|-----------|------|------|----------|------|------|--------|------|
| | m | m | kg | m | m | kg | m | m | kg | |
| 15,2 | 73,6 | 64,0 | 21 600 *b | | | | | | | 15,2 |
| 16,0 | 72,5 | 63,7 | 21 400 *b | | | | | | | 16,0 |
| 18,0 | 69,7 | 63,0 | 20 800 *b | | | | | | | 18,0 |
| 20,0 | 66,8 | 62,3 | 20 000 * | 68,9 | 62,7 | 20 800 * | | | | 20,0 |
| 22,0 | 63,9 | 61,3 | 19 000 * | 66,0 | 61,8 | 19 600 * | | | | 22,0 |
| 24,0 | 60,8 | 60,3 | 17 900 | 63,0 | 60,9 | 17 400 | 64,7 | 61,2 | 16 800 | 24,0 |
| 26,0 | 57,7 | 59,1 | 16 200 | 60,0 | 59,8 | 15 600 | 61,7 | 60,2 | 15 100 | 26,0 |
| 28,0 | 54,5 | 57,8 | 14 700 | 56,8 | 58,6 | 14 100 | 58,6 | 59,1 | 13 700 | 28,0 |
| 30,0 | 51,1 | 56,2 | 13 400 | 53,6 | 57,2 | 12 900 | 55,4 | 57,8 | 12 500 | 30,0 |
| 32,0 | 47,6 | 54,5 | 12 300 | 50,2 | 55,6 | 11 700 | 52,0 | 56,3 | 11 400 | 32,0 |
| 34,0 | 43,8 | 52,6 | 11 300 | 46,6 | 53,8 | 10 800 | 48,5 | 54,6 | 10 400 | 34,0 |
| 36,0 | 39,8 | 50,3 | 10 400 | 42,7 | 51,8 | 10 000 | 44,8 | 52,7 | 9 600 | 36,0 |
| 38,0 | 35,4 | 47,7 | 9 600 | 38,6 | 49,5 | 9 200 | 40,9 | 50,6 | 8 900 | 38,0 |
| 40,0 | 30,4 | 44,6 | 8 900 | 34,1 | 46,8 | 8 500 | 36,6 | 48,1 | 8 300 | 40,0 |
| 42,0 | 24,6 | 40,8 | 8 300 | 28,9 | 43,5 | 8 000 | 31,8 | 45,1 | 7 700 | 42,0 |
| 44,0 | 17,0 | 35,5 | 7 800 | 22,8 | 39,4 | 7 400 | 26,3 | 41,5 | 7 100 | 44,0 |
| 46,0 | | | | 14,3 | 33,4 | 6 900 | 19,4 | 36,8 | 6 600 | 46,0 |
| 48,0 | | | | | | | | | | 48,0 |
| 50,0 | | | | | | | | | | 50,0 |
| 52,0 | | | | | | | | | | 52,0 |

MLC165 S-1

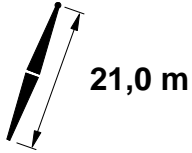
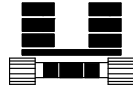
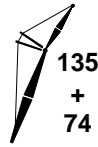
ASME B30.5



| m | 75° | | | 70° | | | 65° | | | m |
|------|------|------|--------|------|------|--------|------|------|-------|------|
| | m | m | kg | m | m | kg | m | m | kg | |
| 15,2 | | | | | | | | | | 15,2 |
| 16,0 | | | | | | | | | | 16,0 |
| 18,0 | | | | | | | | | | 18,0 |
| 20,0 | | | | | | | | | | 20,0 |
| 22,0 | | | | | | | | | | 22,0 |
| 24,0 | | | | | | | | | | 24,0 |
| 26,0 | | | | | | | | | | 26,0 |
| 28,0 | 61,3 | 59,6 | 12 900 | | | | | | | 28,0 |
| 30,0 | 58,2 | 58,5 | 11 800 | | | | | | | 30,0 |
| 32,0 | 55,0 | 57,1 | 10 700 | 57,8 | 57,7 | 10 100 | | | | 32,0 |
| 34,0 | 51,6 | 55,7 | 9 900 | 54,5 | 56,3 | 9 300 | | | | 34,0 |
| 36,0 | 48,1 | 54,0 | 9 100 | 51,2 | 54,8 | 8 500 | | | | 36,0 |
| 38,0 | 44,4 | 52,1 | 8 400 | 47,6 | 53,1 | 7 900 | | | | 38,0 |
| 40,0 | 40,4 | 49,9 | 7 800 | 43,9 | 51,2 | 7 300 | 47,0 | 52,1 | 6 800 | 40,0 |
| 42,0 | 36,1 | 47,3 | 7 200 | 39,9 | 48,9 | 6 800 | 43,2 | 50,1 | 6 300 | 42,0 |
| 44,0 | 31,2 | 44,3 | 6 700 | 35,5 | 46,3 | 6 300 | 39,2 | 47,8 | 5 800 | 44,0 |
| 46,0 | 25,6 | 40,6 | 6 200 | 30,5 | 43,3 | 5 800 | 34,7 | 45,1 | 5 400 | 46,0 |
| 48,0 | 18,4 | 35,7 | 5 800 | 24,7 | 39,4 | 5 400 | 29,7 | 41,9 | 5 000 | 48,0 |
| 50,0 | | | | 17,2 | 34,2 | 5 000 | 23,7 | 38,0 | 4 700 | 50,0 |
| 52,0 | | | | | | | 15,7 | 32,4 | 4 300 | 52,0 |

MLC165 S-1

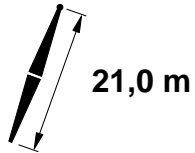
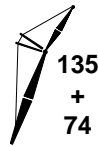
ASME B30.5



| m | 87° | | | 83° | | | 80° | | | m |
|------|------|------|-----------|------|------|----------|------|------|--------|------|
| | m | m | kg | m | m | kg | m | m | kg | |
| 15,2 | 74,7 | 67,1 | 20 200 *b | | | | | | | 15,2 |
| 16,0 | 73,7 | 66,9 | 20 000 *b | | | | | | | 16,0 |
| 18,0 | 71,1 | 66,3 | 19 500 *b | | | | | | | 18,0 |
| 20,0 | 68,4 | 65,5 | 18 500 * | 70,4 | 65,9 | 19 300 * | | | | 20,0 |
| 22,0 | 65,7 | 64,7 | 17 500 * | 67,7 | 65,2 | 18 300 * | | | | 22,0 |
| 24,0 | 62,9 | 63,7 | 16 500 * | 65,0 | 64,3 | 17 200 | | | | 24,0 |
| 26,0 | 60,1 | 62,7 | 15 600 * | 62,2 | 63,3 | 15 500 | 63,7 | 63,6 | 15 100 | 26,0 |
| 28,0 | 57,2 | 61,4 | 14 600 * | 59,3 | 62,2 | 14 100 | 60,9 | 62,6 | 13 600 | 28,0 |
| 30,0 | 54,1 | 60,1 | 13 400 | 56,3 | 60,9 | 12 800 | 58,0 | 61,4 | 12 400 | 30,0 |
| 32,0 | 51,0 | 58,5 | 12 200 | 53,3 | 59,5 | 11 700 | 54,9 | 60,1 | 11 300 | 32,0 |
| 34,0 | 47,7 | 56,8 | 11 300 | 50,1 | 57,9 | 10 800 | 51,8 | 58,6 | 10 400 | 34,0 |
| 36,0 | 44,2 | 54,9 | 10 400 | 46,7 | 56,1 | 9 900 | 48,6 | 56,9 | 9 600 | 36,0 |
| 38,0 | 40,4 | 52,7 | 9 600 | 43,2 | 54,1 | 9 200 | 45,1 | 55,0 | 8 900 | 38,0 |
| 40,0 | 36,4 | 50,2 | 8 900 | 39,4 | 51,9 | 8 500 | 41,5 | 52,9 | 8 200 | 40,0 |
| 42,0 | 31,9 | 47,2 | 8 300 | 35,2 | 49,2 | 7 900 | 37,5 | 50,5 | 7 600 | 42,0 |
| 44,0 | 26,8 | 43,7 | 7 700 | 30,6 | 46,1 | 7 400 | 33,2 | 47,7 | 7 100 | 44,0 |
| 46,0 | 20,6 | 39,1 | 7 200 | 25,3 | 42,4 | 6 900 | 28,3 | 44,3 | 6 600 | 46,0 |
| 48,0 | 11,5 | 32,2 | 6 700 | 18,6 | 37,4 | 6 400 | 22,4 | 40,1 | 6 200 | 48,0 |
| 50,0 | | | | 7,4 | 28,7 | 6 000 | 14,5 | 34,1 | 5 800 | 50,0 |
| 52,0 | | | | | | | | | | 52,0 |
| 54,0 | | | | | | | | | | 54,0 |
| 56,0 | | | | | | | | | | 56,0 |

MLC165 S-1

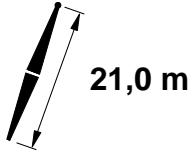
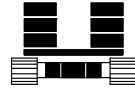
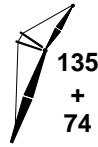
ASME B30.5



| m | 75° | | | 70° | | | 65° | | | m |
|------|------|------|--------|------|------|-------|------|------|-------|------|
| | m | m | kg | m | m | kg | m | m | kg | |
| 15,2 | | | | | | | | | | 15,2 |
| 16,0 | | | | | | | | | | 16,0 |
| 18,0 | | | | | | | | | | 18,0 |
| 20,0 | | | | | | | | | | 20,0 |
| 22,0 | | | | | | | | | | 22,0 |
| 24,0 | | | | | | | | | | 24,0 |
| 26,0 | | | | | | | | | | 26,0 |
| 28,0 | | | | | | | | | | 28,0 |
| 30,0 | 60,5 | 62,0 | 11 700 | | | | | | | 30,0 |
| 32,0 | 57,6 | 60,8 | 10 700 | | | | | | | 32,0 |
| 34,0 | 54,6 | 59,5 | 9 800 | 57,2 | 60,0 | 9 200 | | | | 34,0 |
| 36,0 | 51,5 | 58,0 | 9 000 | 54,2 | 58,7 | 8 500 | | | | 36,0 |
| 38,0 | 48,2 | 56,3 | 8 300 | 51,0 | 57,1 | 7 800 | | | | 38,0 |
| 40,0 | 44,7 | 54,4 | 7 700 | 47,7 | 55,4 | 7 200 | 50,5 | 56,1 | 6 800 | 40,0 |
| 42,0 | 41,0 | 52,2 | 7 200 | 44,2 | 53,5 | 6 700 | 47,2 | 54,4 | 6 300 | 42,0 |
| 44,0 | 37,1 | 49,8 | 6 700 | 40,5 | 51,3 | 6 200 | 43,6 | 52,4 | 5 800 | 44,0 |
| 46,0 | 32,7 | 46,9 | 6 200 | 36,5 | 48,8 | 5 800 | 39,9 | 50,1 | 5 400 | 46,0 |
| 48,0 | 27,7 | 43,4 | 5 800 | 32,0 | 45,8 | 5 400 | 35,8 | 47,6 | 5 000 | 48,0 |
| 50,0 | 21,7 | 39,1 | 5 400 | 27,0 | 42,3 | 5 000 | 31,3 | 44,6 | 4 600 | 50,0 |
| 52,0 | | | | 20,8 | 37,8 | 4 700 | 26,0 | 40,9 | 4 300 | 52,0 |
| 54,0 | | | | 11,8 | 30,9 | 4 300 | 19,6 | 36,1 | 4 000 | 54,0 |
| 56,0 | | | | | | | 9,6 | 28,4 | 3 700 | 56,0 |

MLC165 S-1

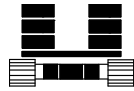
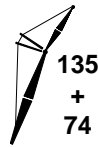
ASME B30.5



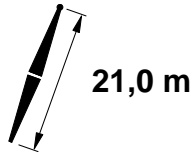
| m | 87° | | | 83° | | | 80° | | | m |
|------|------|------|-----------|------|------|----------|------|------|--------|------|
| | m | m | kg | m | m | kg | m | m | kg | |
| 16,8 | 73,9 | 69,9 | 18 400 *b | | | | | | | 16,8 |
| 18,0 | 72,3 | 69,5 | 17 900 *b | | | | | | | 18,0 |
| 20,0 | 69,9 | 68,8 | 17 000 * | | | | | | | 20,0 |
| 22,0 | 67,3 | 68,0 | 16 000 * | 69,2 | 68,4 | 16 700 * | | | | 22,0 |
| 24,0 | 64,8 | 67,1 | 15 000 * | 66,6 | 67,6 | 15 700 * | | | | 24,0 |
| 26,0 | 62,1 | 66,1 | 14 100 * | 64,0 | 66,7 | 14 800 * | 65,5 | 67,0 | 14 900 | 26,0 |
| 28,0 | 59,4 | 65,0 | 13 300 * | 61,4 | 65,7 | 13 900 * | 62,8 | 66,0 | 13 500 | 28,0 |
| 30,0 | 56,7 | 63,8 | 12 400 * | 58,7 | 64,5 | 12 700 | 60,2 | 65,0 | 12 300 | 30,0 |
| 32,0 | 53,8 | 62,4 | 11 700 * | 55,9 | 63,2 | 11 600 | 57,4 | 63,7 | 11 200 | 32,0 |
| 34,0 | 50,8 | 60,8 | 10 900 * | 53,0 | 61,8 | 10 700 | 54,6 | 62,4 | 10 300 | 34,0 |
| 36,0 | 47,7 | 59,1 | 10 200 * | 50,0 | 60,2 | 9 800 | 51,7 | 60,9 | 9 500 | 36,0 |
| 38,0 | 44,5 | 57,2 | 9 500 | 46,9 | 58,4 | 9 100 | 48,6 | 59,2 | 8 700 | 38,0 |
| 40,0 | 41,0 | 55,0 | 8 800 | 43,6 | 56,5 | 8 400 | 45,4 | 57,4 | 8 100 | 40,0 |
| 42,0 | 37,3 | 52,6 | 8 200 | 40,0 | 54,2 | 7 800 | 42,0 | 55,3 | 7 500 | 42,0 |
| 44,0 | 33,2 | 49,7 | 7 600 | 36,2 | 51,7 | 7 300 | 38,3 | 52,9 | 7 000 | 44,0 |
| 46,0 | 28,7 | 46,4 | 7 100 | 32,0 | 48,7 | 6 800 | 34,4 | 50,2 | 6 500 | 46,0 |
| 48,0 | 23,3 | 42,3 | 6 600 | 27,3 | 45,2 | 6 300 | 29,9 | 47,0 | 6 100 | 48,0 |
| 50,0 | 16,3 | 36,7 | 6 200 | 21,6 | 40,8 | 5 900 | 24,8 | 43,1 | 5 700 | 50,0 |
| 52,0 | | | | 13,9 | 34,6 | 5 500 | 18,5 | 38,1 | 5 300 | 52,0 |
| 54,0 | | | | | | | | | | 54,0 |
| 56,0 | | | | | | | | | | 56,0 |
| 58,0 | | | | | | | | | | 58,0 |

MLC165 S-1

ASME B30.5



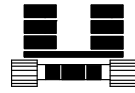
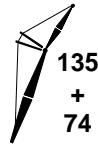
45 130 kg
+
0 kg



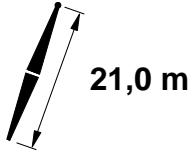
| | 75° | | | 70° | | | 65° | | | |
|------|------|------|--------|------|------|-------|------|------|-------|------|
| | | | | | | | | | | |
| | m | m | kg | m | m | kg | m | m | kg | m |
| 16,8 | | | | | | | | | | 16,8 |
| 18,0 | | | | | | | | | | 18,0 |
| 20,0 | | | | | | | | | | 20,0 |
| 22,0 | | | | | | | | | | 22,0 |
| 24,0 | | | | | | | | | | 24,0 |
| 26,0 | | | | | | | | | | 26,0 |
| 28,0 | | | | | | | | | | 28,0 |
| 30,0 | | | | | | | | | | 30,0 |
| 32,0 | 59,9 | 64,4 | 10 600 | | | | | | | 32,0 |
| 34,0 | 57,1 | 63,1 | 9 700 | | | | | | | 34,0 |
| 36,0 | 54,3 | 61,8 | 8 900 | | | | | | | 36,0 |
| 38,0 | 51,3 | 60,3 | 8 200 | 53,9 | 61,0 | 7 700 | | | | 38,0 |
| 40,0 | 48,2 | 58,6 | 7 600 | 50,9 | 59,4 | 7 100 | | | | 40,0 |
| 42,0 | 45,0 | 56,7 | 7 000 | 47,8 | 57,7 | 6 600 | 50,4 | 58,4 | 6 100 | 42,0 |
| 44,0 | 41,6 | 54,6 | 6 500 | 44,6 | 55,8 | 6 100 | 47,3 | 56,7 | 5 700 | 44,0 |
| 46,0 | 37,9 | 52,2 | 6 100 | 41,1 | 53,6 | 5 700 | 44,0 | 54,7 | 5 200 | 46,0 |
| 48,0 | 33,9 | 49,4 | 5 700 | 37,4 | 51,2 | 5 300 | 40,5 | 52,5 | 4 800 | 48,0 |
| 50,0 | 29,4 | 46,1 | 5 300 | 33,3 | 48,4 | 4 900 | 36,7 | 50,0 | 4 500 | 50,0 |
| 52,0 | 24,2 | 42,2 | 4 900 | 28,8 | 45,0 | 4 500 | 32,6 | 47,1 | 4 200 | 52,0 |
| 54,0 | 17,6 | 36,9 | 4 600 | 23,4 | 41,0 | 4 300 | 27,9 | 43,7 | 3 900 | 54,0 |
| 56,0 | | | | 16,5 | 35,5 | 4 000 | 22,4 | 39,4 | 3 600 | 56,0 |
| 58,0 | | | | | | | 15,1 | 33,5 | 3 300 | 58,0 |

MLC165 S-1

ASME B30.5



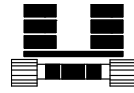
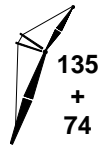
45 130 kg
+
0 kg



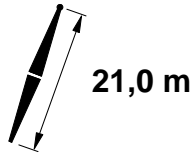
| m | 87° | | | 83° | | | 80° | | | m |
|------|------|------|-----------|------|------|----------|------|------|----------|------|
| | m | m | kg | m | m | kg | m | m | kg | |
| 16,8 | 74,8 | 73,0 | 17 100 *b | | | | | | | 16,8 |
| 18,0 | 73,4 | 72,7 | 16 500 *b | | | | | | | 18,0 |
| 20,0 | 71,1 | 72,0 | 15 600 * | | | | | | | 20,0 |
| 22,0 | 68,7 | 71,3 | 14 700 * | | | | | | | 22,0 |
| 24,0 | 66,3 | 70,5 | 13 800 * | 68,1 | 70,9 | 14 500 * | | | | 24,0 |
| 26,0 | 63,9 | 69,6 | 12 900 * | 65,7 | 70,1 | 13 600 * | 67,0 | 70,3 | 14 000 * | 26,0 |
| 28,0 | 61,4 | 68,5 | 12 100 * | 63,2 | 69,1 | 12 700 * | 64,6 | 69,4 | 13 200 * | 28,0 |
| 30,0 | 58,9 | 67,4 | 11 300 * | 60,7 | 68,0 | 12 000 * | 62,1 | 68,4 | 12 200 * | 30,0 |
| 32,0 | 56,2 | 66,1 | 10 600 * | 58,2 | 66,9 | 11 200 * | 59,6 | 67,3 | 11 100 * | 32,0 |
| 34,0 | 53,5 | 64,7 | 9 900 * | 55,5 | 65,6 | 10 400 * | 57,0 | 66,1 | 10 200 * | 34,0 |
| 36,0 | 50,7 | 63,1 | 9 200 * | 52,8 | 64,1 | 9 700 * | 54,3 | 64,7 | 9 400 * | 36,0 |
| 38,0 | 47,8 | 61,4 | 8 600 * | 50,0 | 62,5 | 9 000 * | 51,5 | 63,2 | 8 600 * | 38,0 |
| 40,0 | 44,8 | 59,5 | 8 000 * | 47,0 | 60,7 | 8 300 * | 48,6 | 61,5 | 8 000 * | 40,0 |
| 42,0 | 41,5 | 57,4 | 7 400 * | 43,9 | 58,8 | 7 700 * | 45,6 | 59,7 | 7 400 * | 42,0 |
| 44,0 | 38,1 | 55,0 | 6 900 * | 40,6 | 56,6 | 7 200 * | 42,4 | 57,6 | 6 900 * | 44,0 |
| 46,0 | 34,3 | 52,2 | 6 400 * | 37,1 | 54,1 | 6 700 * | 39,0 | 55,3 | 6 400 * | 46,0 |
| 48,0 | 30,2 | 49,1 | 5 900 * | 33,2 | 51,2 | 6 200 * | 35,4 | 52,6 | 6 000 * | 48,0 |
| 50,0 | 25,4 | 45,3 | 5 400 * | 29,0 | 47,9 | 5 800 * | 31,3 | 49,6 | 5 600 * | 50,0 |
| 52,0 | 19,7 | 40,5 | 4 900 * | 24,0 | 43,9 | 5 300 * | 26,8 | 46,0 | 5 200 * | 52,0 |
| 54,0 | 11,4 | 33,2 | 4 500 * | 17,8 | 38,7 | 4 800 * | 21,4 | 41,5 | 4 900 * | 54,0 |
| 56,0 | | | | 7,8 | 29,8 | 4 400 * | 14,1 | 35,3 | 4 500 * | 56,0 |
| 58,0 | | | | | | | | | | 58,0 |
| 60,0 | | | | | | | | | | 60,0 |
| 62,0 | | | | | | | | | | 62,0 |

MLC165 S-1

ASME B30.5



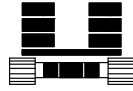
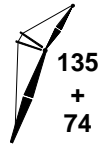
45 130 kg
+
0 kg



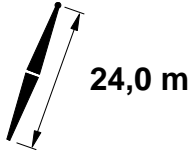
| | 75° | | | 70° | | | 65° | | | |
|------|------|------|--------|------|------|-------|------|------|-------|------|
| | | | | | | | | | | |
| m | m | m | kg | m | m | kg | m | m | kg | m |
| 16,8 | | | | | | | | | | 16,8 |
| 18,0 | | | | | | | | | | 18,0 |
| 20,0 | | | | | | | | | | 20,0 |
| 22,0 | | | | | | | | | | 22,0 |
| 24,0 | | | | | | | | | | 24,0 |
| 26,0 | | | | | | | | | | 26,0 |
| 28,0 | | | | | | | | | | 28,0 |
| 30,0 | | | | | | | | | | 30,0 |
| 32,0 | 61,8 | 67,9 | 10 400 | | | | | | | 32,0 |
| 34,0 | 59,3 | 66,7 | 9 600 | | | | | | | 34,0 |
| 36,0 | 56,7 | 65,5 | 8 800 | | | | | | | 36,0 |
| 38,0 | 54,0 | 64,1 | 8 100 | | | | | | | 38,0 |
| 40,0 | 51,2 | 62,6 | 7 500 | 53,6 | 63,3 | 7 000 | | | | 40,0 |
| 42,0 | 48,3 | 60,9 | 6 900 | 50,8 | 61,7 | 6 500 | | | | 42,0 |
| 44,0 | 45,2 | 59,0 | 6 400 | 47,9 | 60,0 | 6 000 | 50,3 | 60,7 | 5 500 | 44,0 |
| 46,0 | 42,0 | 56,9 | 6 000 | 44,8 | 58,1 | 5 600 | 47,4 | 59,0 | 5 100 | 46,0 |
| 48,0 | 38,6 | 54,5 | 5 600 | 41,6 | 56,0 | 5 200 | 44,3 | 57,0 | 4 800 | 48,0 |
| 50,0 | 34,9 | 51,9 | 5 200 | 38,1 | 53,6 | 4 800 | 41,0 | 54,9 | 4 400 | 50,0 |
| 52,0 | 30,9 | 48,8 | 4 800 | 34,4 | 50,9 | 4 500 | 37,5 | 52,4 | 4 100 | 52,0 |
| 54,0 | 26,2 | 45,1 | 4 500 | 30,3 | 47,7 | 4 200 | 33,7 | 49,6 | 3 800 | 54,0 |
| 56,0 | 20,7 | 40,5 | 4 200 | 25,5 | 43,9 | 3 900 | 29,5 | 46,4 | 3 500 | 56,0 |
| 58,0 | | | | 19,8 | 39,1 | 3 600 | 24,7 | 42,5 | 3 300 | 58,0 |
| 60,0 | | | | 11,6 | 32,0 | 3 300 | 18,7 | 37,4 | 3 000 | 60,0 |
| 62,0 | | | | | | | 9,6 | 29,5 | 2 800 | 62,0 |

MLC165 S-1

ASME B30.5



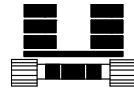
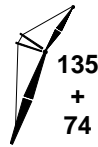
45 130 kg
+
0 kg



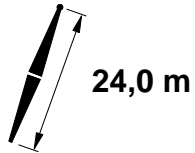
| | 87° | | | 83° | | | 80° | | | |
|------|------|------|-----------|------|------|----------|------|------|----------|------|
| | m | m | kg | m | m | kg | m | m | kg | |
| 9,1 | 74,3 | 46,6 | 49 800 *d | | | | | | | 9,1 |
| 10,0 | 71,9 | 46,3 | 49 800 *d | | | | | | | 10,0 |
| 12,0 | 66,1 | 45,5 | 46 400 c | | | | | | | 12,0 |
| 14,0 | 60,1 | 44,5 | 37 400 c | 65,1 | 45,2 | 36 000 b | | | | 14,0 |
| 16,0 | 53,7 | 43,2 | 31 400 b | 59,0 | 44,1 | 30 200 b | 62,8 | 44,6 | 29 400 b | 16,0 |
| 18,0 | 46,7 | 41,5 | 26 900 b | 52,5 | 42,7 | 25 900 | 56,6 | 43,4 | 25 200 b | 18,0 |
| 20,0 | 38,7 | 39,4 | 23 500 b | 45,4 | 41,0 | 22 600 | 49,9 | 41,9 | 21 900 | 20,0 |
| 22,0 | 29,1 | 36,4 | 20 800 | 37,3 | 38,7 | 20 000 | 42,5 | 40,0 | 19 400 | 22,0 |
| 24,0 | 14,7 | 31,4 | 18 500 | 27,2 | 35,6 | 17 800 | 33,8 | 37,4 | 17 300 | 24,0 |
| 26,0 | | | | | | | 22,3 | 33,7 | 15 600 | 26,0 |
| 28,0 | | | | | | | | | | 28,0 |
| 30,0 | | | | | | | | | | 30,0 |
| 32,0 | | | | | | | | | | 32,0 |

MLC165 S-1

ASME B30.5



45 130 kg
+
0 kg

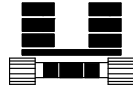
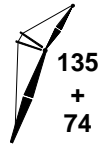


| | 75° | | | 70° | | | 65° | | | |
|------|------|------|-----------------|------|------|--------|------|------|--------|------|
| | m | m | kg | m | m | kg | m | m | kg | |
| 9,1 | | | | | | | | | | 9,1 |
| 10,0 | | | | | | | | | | 10,0 |
| 12,0 | | | | | | | | | | 12,0 |
| 14,0 | | | | | | | | | | 14,0 |
| 16,0 | | | | | | | | | | 16,0 |
| 18,0 | | | | | | | | | | 18,0 |
| 20,0 | 56,7 | 42,9 | 20 800 b | | | | | | | 20,0 |
| 22,0 | 50,0 | 41,4 | 18 400 | | | | | | | 22,0 |
| 24,0 | 42,6 | 39,5 | 16 400 | 49,9 | 40,7 | 15 600 | | | | 24,0 |
| 26,0 | 33,9 | 37,0 | 14 800 | 42,5 | 38,8 | 14 000 | | | | 26,0 |
| 28,0 | 22,5 | 33,3 | 13 400 | 33,8 | 36,3 | 12 700 | 49,6 | 39,8 | 13 200 | 28,0 |
| 30,0 | | | | 22,4 | 32,5 | 11 500 | 33,4 | 35,3 | 10 900 | 30,0 |
| 32,0 | | | | | | | 21,7 | 31,4 | 9 900 | 32,0 |

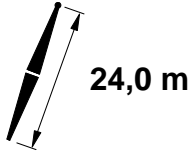
REFERENCE ONLY




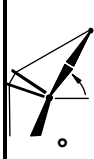
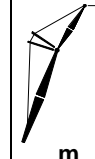



MLC165 S-1

ASME B30.5



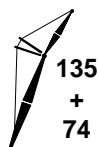
45 130 kg
+
0 kg



| | 87° | | | 83° | | | 80° | | | |
|------|---|---|--|---|--|--|--|---|----------|------|
| |  m |  m |  kg |  m |  kg |  m |  kg |  m | | |
| 9,8 | 74,8 | 49,5 | 45 400 *d | | | | | | 9,8 | |
| 10,0 | 74,2 | 49,5 | 45 400 *d | | | | | | 10,0 | |
| 12,0 | 69,2 | 48,8 | 44 800 *c | | | | | | 12,0 | |
| 14,0 | 64,1 | 47,9 | 37 400 c | 68,4 | 48,5 | 36 000 b | | | 14,0 | |
| 16,0 | 58,8 | 46,9 | 31 300 b | 63,2 | 47,6 | 30 100 b | | | 16,0 | |
| 18,0 | 53,1 | 45,5 | 26 900 b | 57,8 | 46,5 | 25 800 | 61,2 | 47,0 | 25 100 b | 18,0 |
| 20,0 | 47,0 | 43,8 | 23 400 b | 52,1 | 45,1 | 22 500 | 55,7 | 45,7 | 21 800 | 20,0 |
| 22,0 | 40,1 | 41,7 | 20 700 | 45,9 | 43,3 | 19 900 | 49,8 | 44,2 | 19 300 | 22,0 |
| 24,0 | 32,2 | 39,0 | 18 500 | 38,9 | 41,1 | 17 800 | 43,3 | 42,3 | 17 200 | 24,0 |
| 26,0 | 21,8 | 35,1 | 16 700 | 30,7 | 38,2 | 16 000 | 35,9 | 39,9 | 15 500 | 26,0 |
| 28,0 | | | | 19,6 | 34,0 | 14 500 | 26,9 | 36,6 | 14 000 | 28,0 |
| 30,0 | | | | | | | 13,2 | 31,2 | 12 800 | 30,0 |
| 32,0 | | | | | | | | | | 32,0 |
| 34,0 | | | | | | | | | | 34,0 |

MLC165 S-1

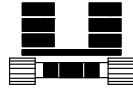
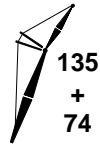
ASME B30.5



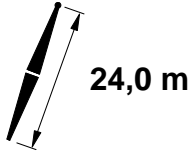
| | 75° | | | 70° | | | 65° | | | |
|------|------|------|----------|------|------|--------|------|------|--------|------|
| | m | m | kg | m | m | kg | m | m | kg | |
| 9,8 | | | | | | | | | | 9,8 |
| 10,0 | | | | | | | | | | 10,0 |
| 12,0 | | | | | | | | | | 12,0 |
| 14,0 | | | | | | | | | | 14,0 |
| 16,0 | | | | | | | | | | 16,0 |
| 18,0 | | | | | | | | | | 18,0 |
| 20,0 | 61,3 | 46,5 | 20 700 b | | | | | | | 20,0 |
| 22,0 | 55,8 | 45,2 | 18 300 | | | | | | | 22,0 |
| 24,0 | 49,9 | 43,7 | 16 300 | | | | | | | 24,0 |
| 26,0 | 43,4 | 41,8 | 14 700 | 49,8 | 43,0 | 13 900 | | | | 26,0 |
| 28,0 | 36,1 | 39,4 | 13 300 | 43,3 | 41,1 | 12 500 | 49,5 | 42,1 | 11 800 | 28,0 |
| 30,0 | 27,1 | 36,2 | 12 100 | 36,0 | 38,7 | 11 400 | 43,0 | 40,2 | 10 700 | 30,0 |
| 32,0 | 13,5 | 30,8 | 11 000 | 27,0 | 35,5 | 10 400 | 35,6 | 37,7 | 9 800 | 32,0 |
| 34,0 | | | | | | | 26,5 | 34,4 | 9 000 | 34,0 |




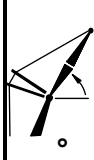
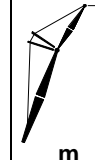



MLC165 S-1

ASME B30.5



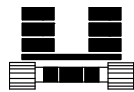
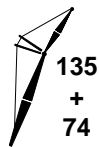
45 130 kg
+
0 kg



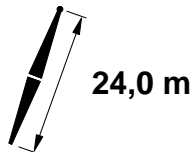
| | 87° | | | 83° | | | 80° | | | |
|------|---|---|--|---|--|--|--|---|----------|------|
| |  m |  m |  kg |  m |  kg |  m |  kg |  m | | |
| 11,0 | 73,9 | 52,4 | 41 000 *d | | | | | | 11,0 | |
| 12,0 | 71,6 | 52,0 | 40 300 *c | | | | | | 12,0 | |
| 14,0 | 67,2 | 51,3 | 37 500 *c | | | | | | 14,0 | |
| 16,0 | 62,6 | 50,4 | 31 300 b | 66,4 | 51,0 | 30 100 b | | | 16,0 | |
| 18,0 | 57,7 | 49,2 | 26 800 b | 61,8 | 50,0 | 25 700 | 64,7 | 50,4 | 25 000 b | 18,0 |
| 20,0 | 52,7 | 47,8 | 23 400 b | 56,9 | 48,8 | 22 400 | 59,9 | 49,3 | 21 700 | 20,0 |
| 22,0 | 47,2 | 46,1 | 20 700 | 51,8 | 47,4 | 19 800 | 55,0 | 48,1 | 19 200 | 22,0 |
| 24,0 | 41,2 | 44,1 | 18 500 | 46,2 | 45,6 | 17 700 | 49,7 | 46,5 | 17 200 | 24,0 |
| 26,0 | 34,4 | 41,5 | 16 700 | 40,1 | 43,5 | 16 000 | 44,0 | 44,6 | 15 400 | 26,0 |
| 28,0 | 26,1 | 38,1 | 15 100 | 33,1 | 40,8 | 14 500 | 37,6 | 42,3 | 14 000 | 28,0 |
| 30,0 | 13,8 | 32,5 | 13 700 | 24,4 | 37,2 | 13 200 | 30,1 | 39,3 | 12 700 | 30,0 |
| 32,0 | | | | 10,5 | 30,8 | 12 000 | 20,2 | 35,1 | 11 700 | 32,0 |
| 34,0 | | | | | | | | | | 34,0 |
| 36,0 | | | | | | | | | | 36,0 |
| 38,0 | | | | | | | | | | 38,0 |


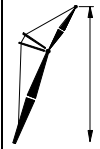


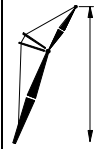


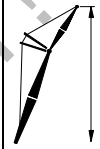

MLC165 S-1

ASME B30.5



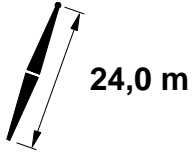
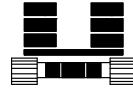
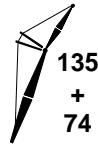
45 130 kg
+
0 kg



| | 75° | | | 70° | | | 65° | | | |
|------|---|---|---|---|---|---|---|---|---|------|
| |  |  |  |  |  |  |  |  |  | |
| | m | m | kg | m | m | kg | m | m | kg | m |
| 11,0 | | | | | | | | | | 11,0 |
| 12,0 | | | | | | | | | | 12,0 |
| 14,0 | | | | | | | | | | 14,0 |
| 16,0 | | | | | | | | | | 16,0 |
| 18,0 | | | | | | | | | | 18,0 |
| 20,0 | | | | | | | | | | 20,0 |
| 22,0 | 60,0 | 48,8 | 18 200 | | | | | | | 22,0 |
| 24,0 | 55,1 | 47,6 | 16 200 | | | | | | | 24,0 |
| 26,0 | 49,8 | 46,0 | 14 600 | 55,0 | 46,9 | 13 800 | | | | 26,0 |
| 28,0 | 44,1 | 44,2 | 13 200 | 49,7 | 45,3 | 12 400 | | | | 28,0 |
| 30,0 | 37,7 | 41,8 | 12 100 | 44,0 | 43,5 | 11 300 | 49,5 | 44,4 | 10 600 | 30,0 |
| 32,0 | 30,2 | 38,9 | 11 000 | 37,6 | 41,1 | 10 400 | 43,7 | 42,5 | 9 700 | 32,0 |
| 34,0 | 20,4 | 34,6 | 10 100 | 30,1 | 38,2 | 9 500 | 37,3 | 40,2 | 8 900 | 34,0 |
| 36,0 | | | | 20,3 | 33,9 | 8 700 | 29,7 | 37,1 | 8 200 | 36,0 |
| 38,0 | | | | | | | 19,7 | 32,8 | 7 600 | 38,0 |

MLC165 S-1

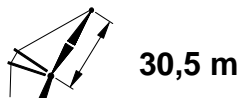
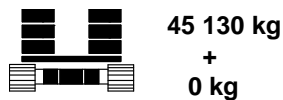
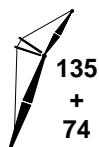
ASME B30.5



| m | 87° | | | 83° | | | 80° | | | m |
|------|------|------|-----------|------|------|----------|------|------|--------|------|
| | m | m | kg | m | m | kg | m | m | kg | |
| 11,6 | 74,4 | 55,4 | 37 100 *d | | | | | | | 11,6 |
| 12,0 | 73,5 | 55,2 | 36 600 *c | | | | | | | 12,0 |
| 14,0 | 69,6 | 54,6 | 34 400 *c | | | | | | | 14,0 |
| 16,0 | 65,5 | 53,7 | 31 500 *b | 68,9 | 54,2 | 30 000 b | | | | 16,0 |
| 18,0 | 61,3 | 52,7 | 26 700 b | 64,8 | 53,4 | 25 600 | | | | 18,0 |
| 20,0 | 56,9 | 51,5 | 23 300 b | 60,6 | 52,4 | 22 300 | 63,2 | 52,8 | 21 600 | 20,0 |
| 22,0 | 52,3 | 50,1 | 20 600 | 56,2 | 51,1 | 19 700 | 58,9 | 51,7 | 19 100 | 22,0 |
| 24,0 | 47,4 | 48,4 | 18 400 | 51,5 | 49,7 | 17 600 | 54,4 | 50,4 | 17 000 | 24,0 |
| 26,0 | 42,0 | 46,4 | 16 600 | 46,5 | 47,9 | 15 800 | 49,6 | 48,8 | 15 300 | 26,0 |
| 28,0 | 36,1 | 43,9 | 15 000 | 41,1 | 45,8 | 14 400 | 44,5 | 47,0 | 13 900 | 28,0 |
| 30,0 | 29,1 | 40,8 | 13 700 | 35,0 | 43,3 | 13 100 | 38,8 | 44,7 | 12 700 | 30,0 |
| 32,0 | 20,0 | 36,4 | 12 500 | 27,7 | 40,0 | 12 000 | 32,4 | 41,9 | 11 600 | 32,0 |
| 34,0 | | | | 18,1 | 35,3 | 11 000 | 24,5 | 38,2 | 10 600 | 34,0 |
| 36,0 | | | | | | | 12,7 | 32,3 | 9 800 | 36,0 |
| 38,0 | | | | | | | | | | 38,0 |
| 40,0 | | | | | | | | | | 40,0 |

MLC165 S-1

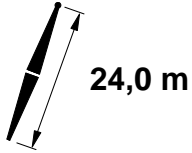
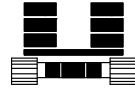
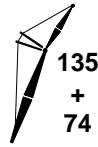
ASME B30.5



| | 75° | | | 70° | | | 65° | | | |
|------|------|------|--------|------|------|--------|------|------|-------|------|
| | | | | | | | | | | |
| | m | m | kg | m | m | kg | m | m | kg | m |
| 11,6 | | | | | | | | | | 11,6 |
| 12,0 | | | | | | | | | | 12,0 |
| 14,0 | | | | | | | | | | 14,0 |
| 16,0 | | | | | | | | | | 16,0 |
| 18,0 | | | | | | | | | | 18,0 |
| 20,0 | | | | | | | | | | 20,0 |
| 22,0 | | | | | | | | | | 22,0 |
| 24,0 | 59,0 | 51,2 | 16 100 | | | | | | | 24,0 |
| 26,0 | 54,5 | 49,9 | 14 400 | | | | | | | 26,0 |
| 28,0 | 49,7 | 48,3 | 13 100 | 54,4 | 49,2 | 12 300 | | | | 28,0 |
| 30,0 | 44,6 | 46,5 | 11 900 | 49,7 | 47,6 | 11 200 | | | | 30,0 |
| 32,0 | 38,9 | 44,2 | 10 900 | 44,5 | 45,8 | 10 200 | 49,4 | 46,7 | 9 600 | 32,0 |
| 34,0 | 32,5 | 41,5 | 10 000 | 38,9 | 43,5 | 9 400 | 44,3 | 44,8 | 8 800 | 34,0 |
| 36,0 | 24,6 | 37,8 | 9 200 | 32,4 | 40,7 | 8 600 | 38,6 | 42,6 | 8 100 | 36,0 |
| 38,0 | 12,9 | 31,9 | 8 500 | 24,5 | 37,0 | 8 000 | 32,1 | 39,7 | 7 400 | 38,0 |
| 40,0 | | | | | | | 24,1 | 36,0 | 6 900 | 40,0 |

MLC165 S-1

ASME B30.5



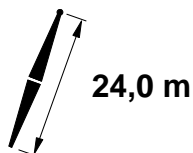
| m | 87° | | | 83° | | | 80° | | | m |
|------|------|------|-----------|------|------|--------|------|------|--------|------|
| | m | m | kg | m | m | kg | m | m | kg | |
| 12,2 | 74,7 | 58,4 | 33 700 *c | | | | | | | 12,2 |
| 14,0 | 71,5 | 57,8 | 32 200 *c | | | | | | | 14,0 |
| 16,0 | 67,9 | 57,1 | 30 300 *b | | | | | | | 16,0 |
| 18,0 | 64,1 | 56,2 | 26 800 b | 67,2 | 56,7 | 25 600 | | | | 18,0 |
| 20,0 | 60,2 | 55,1 | 23 200 b | 63,5 | 55,8 | 22 300 | 65,8 | 56,2 | 21 600 | 20,0 |
| 22,0 | 56,2 | 53,9 | 20 600 | 59,6 | 54,7 | 19 700 | 62,0 | 55,2 | 19 000 | 22,0 |
| 24,0 | 52,0 | 52,4 | 18 400 | 55,5 | 53,5 | 17 600 | 58,1 | 54,0 | 17 000 | 24,0 |
| 26,0 | 47,5 | 50,7 | 16 500 | 51,3 | 52,0 | 15 800 | 53,9 | 52,7 | 15 300 | 26,0 |
| 28,0 | 42,7 | 48,7 | 15 000 | 46,7 | 50,2 | 14 300 | 49,6 | 51,1 | 13 900 | 28,0 |
| 30,0 | 37,4 | 46,4 | 13 700 | 41,8 | 48,2 | 13 100 | 44,9 | 49,3 | 12 600 | 30,0 |
| 32,0 | 31,3 | 43,4 | 12 600 | 36,4 | 45,7 | 12 000 | 39,9 | 47,1 | 11 600 | 32,0 |
| 34,0 | 24,0 | 39,6 | 11 600 | 30,2 | 42,7 | 11 000 | 34,2 | 44,4 | 10 700 | 34,0 |
| 36,0 | 13,2 | 33,7 | 10 600 | 22,5 | 38,6 | 10 200 | 27,5 | 41,1 | 9 800 | 36,0 |
| 38,0 | | | | 10,4 | 31,9 | 9 400 | 18,8 | 36,4 | 9 100 | 38,0 |
| 40,0 | | | | | | | | | | 40,0 |
| 42,0 | | | | | | | | | | 42,0 |
| 44,0 | | | | | | | | | | 44,0 |


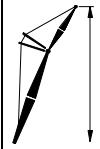


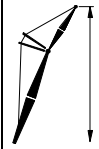


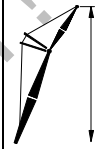

MLC165 S-1

ASME B30.5



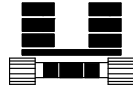
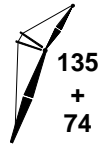
45 130 kg
+
0 kg



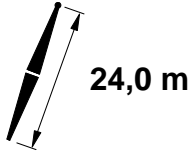
| | 75° | | | 70° | | | 65° | | | |
|------|---|---|--|---|---|--|---|---|--|------|
| |  m |  m |  kg |  m |  m |  kg |  m |  m |  kg | |
| 12,2 | | | | | | | | | | 12,2 |
| 14,0 | | | | | | | | | | 14,0 |
| 16,0 | | | | | | | | | | 16,0 |
| 18,0 | | | | | | | | | | 18,0 |
| 20,0 | | | | | | | | | | 20,0 |
| 22,0 | | | | | | | | | | 22,0 |
| 24,0 | | | | | | | | | | 24,0 |
| 26,0 | 58,1 | 53,5 | 14 400 | | | | | | | 26,0 |
| 28,0 | 54,0 | 52,2 | 13 100 | | | | | | | 28,0 |
| 30,0 | 49,6 | 50,6 | 11 900 | 53,9 | 51,5 | 11 200 | | | | 30,0 |
| 32,0 | 45,0 | 48,8 | 10 900 | 49,6 | 49,9 | 10 200 | | | | 32,0 |
| 34,0 | 39,9 | 46,6 | 10 000 | 44,9 | 48,1 | 9 400 | 49,4 | 49,0 | 8 800 | 34,0 |
| 36,0 | 34,3 | 44,0 | 9 200 | 39,9 | 45,9 | 8 600 | 44,7 | 47,1 | 8 100 | 36,0 |
| 38,0 | 27,6 | 40,6 | 8 600 | 34,2 | 43,2 | 8 000 | 39,6 | 44,9 | 7 400 | 38,0 |
| 40,0 | 19,0 | 36,0 | 7 900 | 27,5 | 39,9 | 7 400 | 33,9 | 42,2 | 6 900 | 40,0 |
| 42,0 | | | | 18,8 | 35,2 | 6 800 | 27,2 | 38,9 | 6 400 | 42,0 |
| 44,0 | | | | | | | 18,4 | 34,1 | 5 900 | 44,0 |

MLC165 S-1

ASME B30.5



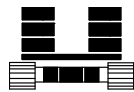
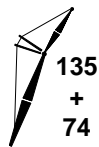
45 130 kg
+
0 kg



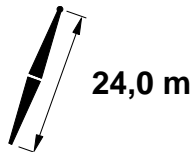
| | 87° | | | 83° | | | 80° | | | |
|------|------|------|-----------|------|------|--------|------|------|--------|------|
| | m | m | kg | m | m | kg | m | m | kg | |
| 13,7 | 73,6 | 61,1 | 30 000 *c | | | | | | | 13,7 |
| 14,0 | 73,1 | 61,0 | 29 800 *c | | | | | | | 14,0 |
| 16,0 | 69,8 | 60,3 | 28 200 *b | | | | | | | 16,0 |
| 18,0 | 66,4 | 59,5 | 26 400 b | | | | | | | 18,0 |
| 20,0 | 62,9 | 58,6 | 23 200 | 65,8 | 59,2 | 22 200 | | | | 20,0 |
| 22,0 | 59,4 | 57,5 | 20 400 | 62,3 | 58,2 | 19 600 | 64,5 | 58,6 | 18 900 | 22,0 |
| 24,0 | 55,6 | 56,2 | 18 200 | 58,7 | 57,1 | 17 400 | 61,0 | 57,6 | 16 800 | 24,0 |
| 26,0 | 51,8 | 54,7 | 16 400 | 55,0 | 55,8 | 15 700 | 57,3 | 56,4 | 15 200 | 26,0 |
| 28,0 | 47,6 | 53,0 | 14 900 | 51,1 | 54,3 | 14 200 | 53,5 | 55,0 | 13 700 | 28,0 |
| 30,0 | 43,3 | 51,1 | 13 600 | 46,9 | 52,5 | 13 000 | 49,5 | 53,4 | 12 500 | 30,0 |
| 32,0 | 38,5 | 48,8 | 12 500 | 42,5 | 50,5 | 11 900 | 45,3 | 51,6 | 11 500 | 32,0 |
| 34,0 | 33,1 | 46,0 | 11 500 | 37,6 | 48,1 | 10 900 | 40,7 | 49,4 | 10 500 | 34,0 |
| 36,0 | 26,8 | 42,5 | 10 600 | 32,1 | 45,3 | 10 100 | 35,6 | 46,9 | 9 700 | 36,0 |
| 38,0 | 18,7 | 37,7 | 9 800 | 25,6 | 41,6 | 9 300 | 29,8 | 43,8 | 9 000 | 38,0 |
| 40,0 | | | | 17,0 | 36,5 | 8 700 | 22,7 | 39,7 | 8 300 | 40,0 |
| 42,0 | | | | | | | 12,3 | 33,4 | 7 700 | 42,0 |
| 44,0 | | | | | | | | | | 44,0 |
| 46,0 | | | | | | | | | | 46,0 |

MLC165 S-1

ASME B30.5



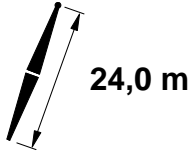
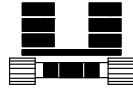
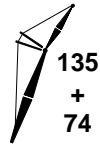
45 130 kg
+
0 kg



| | 75° | | | 70° | | | 65° | | | |
|------|------|------|--------|------|------|--------|------|------|-------|------|
| | m | m | kg | m | m | kg | m | m | kg | |
| 13,7 | | | | | | | | | | 13,7 |
| 14,0 | | | | | | | | | | 14,0 |
| 16,0 | | | | | | | | | | 16,0 |
| 18,0 | | | | | | | | | | 18,0 |
| 20,0 | | | | | | | | | | 20,0 |
| 22,0 | | | | | | | | | | 22,0 |
| 24,0 | | | | | | | | | | 24,0 |
| 26,0 | 61,0 | 57,1 | 14 300 | | | | | | | 26,0 |
| 28,0 | 57,4 | 55,9 | 12 900 | | | | | | | 28,0 |
| 30,0 | 53,6 | 54,5 | 11 800 | | | | | | | 30,0 |
| 32,0 | 49,6 | 52,9 | 10 700 | 53,5 | 53,8 | 10 100 | | | | 32,0 |
| 34,0 | 45,3 | 51,1 | 9 900 | 49,5 | 52,2 | 9 200 | | | | 34,0 |
| 36,0 | 40,7 | 49,0 | 9 100 | 45,3 | 50,4 | 8 500 | 49,4 | 51,3 | 7 900 | 36,0 |
| 38,0 | 35,7 | 46,4 | 8 400 | 40,7 | 48,2 | 7 800 | 45,1 | 49,4 | 7 300 | 38,0 |
| 40,0 | 29,9 | 43,3 | 7 800 | 35,6 | 45,7 | 7 200 | 40,5 | 47,3 | 6 700 | 40,0 |
| 42,0 | 22,8 | 39,3 | 7 300 | 29,8 | 42,6 | 6 700 | 35,4 | 44,7 | 6 200 | 42,0 |
| 44,0 | 12,5 | 33,0 | 6 700 | 22,7 | 38,5 | 6 300 | 29,5 | 41,6 | 5 800 | 44,0 |
| 46,0 | | | | | | | 22,4 | 37,5 | 5 300 | 46,0 |

MLC165 S-1

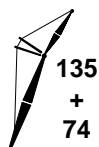
ASME B30.5



| m | 87° | | | 83° | | | 80° | | | m |
|------|------|------|-----------|------|------|----------|------|------|--------|------|
| | m | m | kg | m | m | kg | m | m | kg | |
| 13,7 | 74,9 | 64,3 | 23 200 *c | | | | | | | 13,7 |
| 14,0 | 74,4 | 64,2 | 23 100 *c | | | | | | | 14,0 |
| 16,0 | 71,4 | 63,6 | 22 500 *b | | | | | | | 16,0 |
| 18,0 | 68,3 | 62,8 | 21 900 *b | | | | | | | 18,0 |
| 20,0 | 65,2 | 62,0 | 21 400 *b | 67,8 | 62,5 | 21 900 * | | | | 20,0 |
| 22,0 | 61,9 | 61,0 | 20 500 * | 64,6 | 61,6 | 19 500 | 66,6 | 62,0 | 18 800 | 22,0 |
| 24,0 | 58,6 | 59,8 | 18 200 | 61,4 | 60,6 | 17 400 | 63,4 | 61,0 | 16 800 | 24,0 |
| 26,0 | 55,2 | 58,5 | 16 300 | 58,0 | 59,4 | 15 600 | 60,1 | 59,9 | 15 100 | 26,0 |
| 28,0 | 51,5 | 57,0 | 14 800 | 54,6 | 58,1 | 14 200 | 56,7 | 58,7 | 13 600 | 28,0 |
| 30,0 | 47,8 | 55,3 | 13 500 | 50,9 | 56,6 | 12 900 | 53,2 | 57,3 | 12 400 | 30,0 |
| 32,0 | 43,7 | 53,4 | 12 400 | 47,1 | 54,8 | 11 800 | 49,5 | 55,7 | 11 400 | 32,0 |
| 34,0 | 39,4 | 51,1 | 11 400 | 43,0 | 52,8 | 10 800 | 45,6 | 53,9 | 10 400 | 34,0 |
| 36,0 | 34,5 | 48,5 | 10 500 | 38,6 | 50,5 | 10 000 | 41,4 | 51,8 | 9 600 | 36,0 |
| 38,0 | 29,0 | 45,2 | 9 700 | 33,7 | 47,8 | 9 300 | 36,8 | 49,3 | 8 900 | 38,0 |
| 40,0 | 22,4 | 41,1 | 9 000 | 28,0 | 44,4 | 8 600 | 31,6 | 46,4 | 8 300 | 40,0 |
| 42,0 | 12,8 | 34,8 | 8 400 | 21,1 | 40,1 | 8 000 | 25,6 | 42,7 | 7 700 | 42,0 |
| 44,0 | | | | 10,4 | 32,9 | 7 400 | 17,7 | 37,7 | 7 100 | 44,0 |
| 46,0 | | | | | | | | | | 46,0 |
| 48,0 | | | | | | | | | | 48,0 |
| 50,0 | | | | | | | | | | 50,0 |


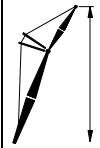


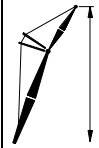


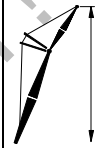

MLC165 S-1

ASME B30.5



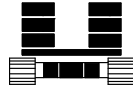
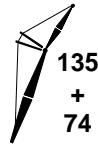
45 130 kg
+
0 kg



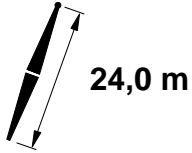
| | 75° | | | 70° | | | 65° | | | |
|------|---|---|---|---|---|---|---|---|---|------|
| |  |  |  |  |  |  |  |  |  | |
| | m | m | kg | m | m | kg | m | m | kg | m |
| 13,7 | | | | | | | | | | 13,7 |
| 14,0 | | | | | | | | | | 14,0 |
| 16,0 | | | | | | | | | | 16,0 |
| 18,0 | | | | | | | | | | 18,0 |
| 20,0 | | | | | | | | | | 20,0 |
| 22,0 | | | | | | | | | | 22,0 |
| 24,0 | | | | | | | | | | 24,0 |
| 26,0 | | | | | | | | | | 26,0 |
| 28,0 | 60,2 | 59,5 | 12 800 | | | | | | | 28,0 |
| 30,0 | 56,8 | 58,2 | 11 600 | | | | | | | 30,0 |
| 32,0 | 53,2 | 56,8 | 10 700 | 56,7 | 57,5 | 9 900 | | | | 32,0 |
| 34,0 | 49,5 | 55,2 | 9 800 | 53,2 | 56,1 | 9 100 | | | | 34,0 |
| 36,0 | 45,6 | 53,4 | 9 000 | 49,5 | 54,5 | 8 400 | | | | 36,0 |
| 38,0 | 41,4 | 51,3 | 8 300 | 45,6 | 52,7 | 7 700 | 49,3 | 53,6 | 7 200 | 38,0 |
| 40,0 | 36,8 | 48,8 | 7 700 | 41,4 | 50,6 | 7 100 | 45,4 | 51,8 | 6 600 | 40,0 |
| 42,0 | 31,7 | 45,9 | 7 200 | 36,8 | 48,1 | 6 600 | 41,2 | 49,6 | 6 100 | 42,0 |
| 44,0 | 25,7 | 42,3 | 6 700 | 31,6 | 45,2 | 6 200 | 36,6 | 47,1 | 5 700 | 44,0 |
| 46,0 | 17,9 | 37,2 | 6 200 | 25,6 | 41,5 | 5 700 | 31,4 | 44,2 | 5 300 | 46,0 |
| 48,0 | | | | 17,8 | 36,5 | 5 300 | 25,3 | 40,5 | 4 900 | 48,0 |
| 50,0 | | | | | | | 17,3 | 35,4 | 4 500 | 50,0 |




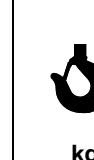

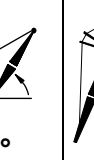




MLC165 S-1

ASME B30.5



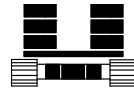
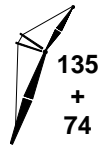
45 130 kg
+
0 kg



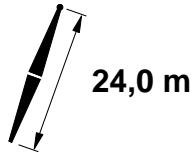
| | 87° | | | 83° | | | 80° | | | | |
|------|---|---|---|--|---|--|---|--|--|--|--|
| |  m |  m |  m |  kg |  m |  kg |  m |  kg |  m | |  kg |
| 15,2 | 73,8 | 67,0 | 21 300 *c | | | | | | | | 15,2 |
| 16,0 | 72,8 | 66,8 | 21 100 *c | | | | | | | | 16,0 |
| 18,0 | 69,9 | 66,1 | 20 600 *b | | | | | | | | 18,0 |
| 20,0 | 67,0 | 65,3 | 20 000 * | 69,5 | 65,8 | 20 600 * | | | | | 20,0 |
| 22,0 | 64,1 | 64,4 | 18 900 * | 66,6 | 65,0 | 19 500 | | | | | 22,0 |
| 24,0 | 61,1 | 63,4 | 17 900 | 63,6 | 64,0 | 17 200 | 65,4 | 64,4 | 16 600 | | 24,0 |
| 26,0 | 58,0 | 62,2 | 16 200 | 60,6 | 63,0 | 15 500 | 62,4 | 63,4 | 14 900 | | 26,0 |
| 28,0 | 54,7 | 60,8 | 14 700 | 57,4 | 61,8 | 14 000 | 59,4 | 62,3 | 13 500 | | 28,0 |
| 30,0 | 51,4 | 59,3 | 13 400 | 54,2 | 60,4 | 12 700 | 56,2 | 61,1 | 12 300 | | 30,0 |
| 32,0 | 47,8 | 57,6 | 12 200 | 50,8 | 58,9 | 11 700 | 52,9 | 59,6 | 11 200 | | 32,0 |
| 34,0 | 44,1 | 55,7 | 11 300 | 47,2 | 57,1 | 10 700 | 49,5 | 58,0 | 10 300 | | 34,0 |
| 36,0 | 40,1 | 53,5 | 10 400 | 43,5 | 55,2 | 9 900 | 45,8 | 56,2 | 9 500 | | 36,0 |
| 38,0 | 35,7 | 50,9 | 9 700 | 39,4 | 52,9 | 9 100 | 41,9 | 54,1 | 8 800 | | 38,0 |
| 40,0 | 30,8 | 47,9 | 8 900 | 34,9 | 50,3 | 8 500 | 37,8 | 51,7 | 8 100 | | 40,0 |
| 42,0 | 25,1 | 44,1 | 8 300 | 29,9 | 47,1 | 7 900 | 33,1 | 48,9 | 7 600 | | 42,0 |
| 44,0 | 17,8 | 39,0 | 7 700 | 24,0 | 43,2 | 7 400 | 27,8 | 45,5 | 7 000 | | 44,0 |
| 46,0 | | | | 16,2 | 37,7 | 6 800 | 21,4 | 41,1 | 6 600 | | 46,0 |
| 48,0 | | | | | | | 12,0 | 34,5 | 6 100 | | 48,0 |
| 50,0 | | | | | | | | | | | 50,0 |
| 52,0 | | | | | | | | | | | 52,0 |

MLC165 S-1

ASME B30.5



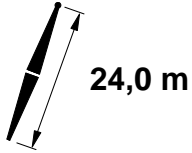
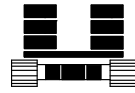
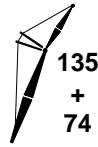
45 130 kg
+
0 kg




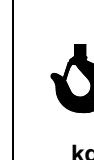

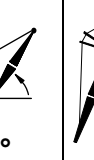








| | 75° | | | 70° | | | 65° | | | |
|------|------|------|--------|------|------|-------|------|------|-------|------|
| | m | m | kg | m | m | kg | m | m | kg | |
| 15,2 | | | | | | | | | | 15,2 |
| 16,0 | | | | | | | | | | 16,0 |
| 18,0 | | | | | | | | | | 18,0 |
| 20,0 | | | | | | | | | | 20,0 |
| 22,0 | | | | | | | | | | 22,0 |
| 24,0 | | | | | | | | | | 24,0 |
| 26,0 | | | | | | | | | | 26,0 |
| 28,0 | | | | | | | | | | 28,0 |
| 30,0 | 59,4 | 61,8 | 11 500 | | | | | | | 30,0 |
| 32,0 | 56,2 | 60,6 | 10 500 | | | | | | | 32,0 |
| 34,0 | 53,0 | 59,1 | 9 600 | 56,2 | 59,9 | 9 000 | | | | 34,0 |
| 36,0 | 49,5 | 57,5 | 8 900 | 52,9 | 58,4 | 8 200 | | | | 36,0 |
| 38,0 | 45,9 | 55,7 | 8 200 | 49,5 | 56,8 | 7 600 | | | | 38,0 |
| 40,0 | 42,0 | 53,6 | 7 600 | 45,8 | 55,0 | 7 000 | 49,3 | 55,9 | 6 500 | 40,0 |
| 42,0 | 37,8 | 51,2 | 7 000 | 42,0 | 52,9 | 6 500 | 45,7 | 54,1 | 6 000 | 42,0 |
| 44,0 | 33,2 | 48,4 | 6 500 | 37,8 | 50,5 | 6 000 | 41,8 | 52,0 | 5 500 | 44,0 |
| 46,0 | 27,9 | 45,1 | 6 100 | 33,1 | 47,7 | 5 600 | 37,6 | 49,6 | 5 100 | 46,0 |
| 48,0 | 21,5 | 40,7 | 5 600 | 27,8 | 44,3 | 5 200 | 32,9 | 46,7 | 4 800 | 48,0 |
| 50,0 | 12,2 | 34,1 | 5 200 | 21,4 | 40,0 | 4 800 | 27,6 | 43,3 | 4 400 | 50,0 |
| 52,0 | | | | | | | 21,1 | 38,9 | 4 100 | 52,0 |

MLC165 S-1

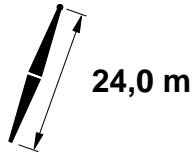
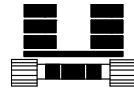
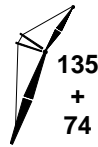
ASME B30.5

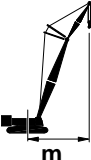

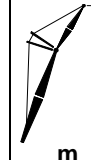

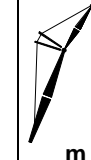






| | 87° | | | 83° | | | 80° | | | | | | |
|------|---|---|---|---|---|--|---|---|---|--|---|---|--|
| |  m |  ° |  m |  ° |  m |  kg |  ° |  m |  kg | |  ° |  m |  kg |
| 15,2 | 74,9 | 70,2 | 19 900 *c | | | | | | | | | | 15,2 |
| 16,0 | 73,9 | 69,9 | 19 700 *c | | | | | | | | | | 16,0 |
| 18,0 | 71,3 | 69,3 | 19 200 *b | | | | | | | | | | 18,0 |
| 20,0 | 68,7 | 68,6 | 18 500 * | | | | | | | | | | 20,0 |
| 22,0 | 65,9 | 67,8 | 17 500 * | 68,2 | 68,3 | 18 300 * | | | | | | | 22,0 |
| 24,0 | 63,2 | 66,8 | 16 500 * | 65,5 | 67,4 | 17 100 | | | | | | | 24,0 |
| 26,0 | 60,3 | 65,7 | 15 600 * | 62,7 | 66,4 | 15 400 | 64,4 | 66,8 | 14 800 | | | | 26,0 |
| 28,0 | 57,4 | 64,5 | 14 600 * | 59,8 | 65,3 | 14 000 | 61,6 | 65,8 | 13 400 | | | | 28,0 |
| 30,0 | 54,4 | 63,2 | 13 400 | 56,9 | 64,1 | 12 700 | 58,7 | 64,7 | 12 200 | | | | 30,0 |
| 32,0 | 51,2 | 61,6 | 12 200 | 53,8 | 62,7 | 11 600 | 55,7 | 63,4 | 11 200 | | | | 32,0 |
| 34,0 | 47,9 | 59,9 | 11 300 | 50,7 | 61,2 | 10 700 | 52,6 | 61,9 | 10 300 | | | | 34,0 |
| 36,0 | 44,4 | 58,0 | 10 400 | 47,3 | 59,4 | 9 900 | 49,4 | 60,3 | 9 500 | | | | 36,0 |
| 38,0 | 40,7 | 55,8 | 9 600 | 43,8 | 57,5 | 9 100 | 46,0 | 58,5 | 8 700 | | | | 38,0 |
| 40,0 | 36,7 | 53,4 | 8 900 | 40,1 | 55,3 | 8 500 | 42,4 | 56,4 | 8 100 | | | | 40,0 |
| 42,0 | 32,3 | 50,4 | 8 300 | 36,0 | 52,7 | 7 900 | 38,6 | 54,1 | 7 500 | | | | 42,0 |
| 44,0 | 27,3 | 47,0 | 7 700 | 31,5 | 49,7 | 7 300 | 34,4 | 51,4 | 7 000 | | | | 44,0 |
| 46,0 | 21,1 | 42,5 | 7 200 | 26,3 | 46,1 | 6 800 | 29,6 | 48,2 | 6 500 | | | | 46,0 |
| 48,0 | 12,5 | 35,9 | 6 700 | 19,9 | 41,4 | 6 400 | 24,1 | 44,2 | 6 100 | | | | 48,0 |
| 50,0 | | | | 10,3 | 34,0 | 5 900 | 16,9 | 38,9 | 5 700 | | | | 50,0 |
| 52,0 | | | | | | | | | | | | | 52,0 |
| 54,0 | | | | | | | | | | | | | 54,0 |
| 56,0 | | | | | | | | | | | | | 56,0 |

MLC165 S-1

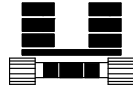
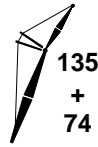
ASME B30.5



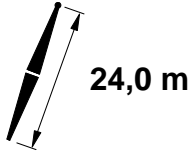
| | 75° | | | 70° | | | 65° | | | |
|------|---|---|--|---|---|--|---|---|--|------|
| |  m |  m |  kg |  m |  m |  kg |  m |  m |  kg | |
| 15,2 | | | | | | | | | | 15,2 |
| 16,0 | | | | | | | | | | 16,0 |
| 18,0 | | | | | | | | | | 18,0 |
| 20,0 | | | | | | | | | | 20,0 |
| 22,0 | | | | | | | | | | 22,0 |
| 24,0 | | | | | | | | | | 24,0 |
| 26,0 | | | | | | | | | | 26,0 |
| 28,0 | | | | | | | | | | 28,0 |
| 30,0 | | | | | | | | | | 30,0 |
| 32,0 | 58,8 | 64,2 | 10 400 | | | | | | | 32,0 |
| 34,0 | 55,8 | 62,9 | 9 600 | | | | | | | 34,0 |
| 36,0 | 52,7 | 61,4 | 8 800 | 55,7 | 62,2 | 8 200 | | | | 36,0 |
| 38,0 | 49,5 | 59,8 | 8 100 | 52,7 | 60,7 | 7 600 | | | | 38,0 |
| 40,0 | 46,1 | 58,0 | 7 500 | 49,4 | 59,1 | 7 000 | | | | 40,0 |
| 42,0 | 42,5 | 56,0 | 7 000 | 46,0 | 57,3 | 6 500 | 49,3 | 58,2 | 5 900 | 42,0 |
| 44,0 | 38,6 | 53,6 | 6 500 | 42,5 | 55,3 | 6 000 | 45,9 | 56,4 | 5 500 | 44,0 |
| 46,0 | 34,4 | 50,9 | 6 100 | 38,6 | 52,9 | 5 600 | 42,3 | 54,3 | 5 100 | 46,0 |
| 48,0 | 29,7 | 47,7 | 5 600 | 34,4 | 50,2 | 5 200 | 38,4 | 51,9 | 4 700 | 48,0 |
| 50,0 | 24,2 | 43,8 | 5 200 | 29,7 | 47,0 | 4 800 | 34,2 | 49,2 | 4 400 | 50,0 |
| 52,0 | 17,1 | 38,5 | 4 900 | 24,1 | 43,1 | 4 500 | 29,4 | 46,0 | 4 000 | 52,0 |
| 54,0 | | | | 17,0 | 37,7 | 4 200 | 23,8 | 42,0 | 3 800 | 54,0 |
| 56,0 | | | | | | | 16,6 | 36,6 | 3 500 | 56,0 |




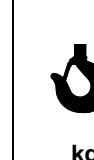

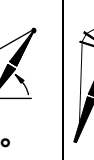




MLC165 S-1

ASME B30.5



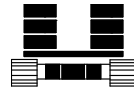
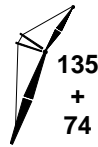
45 130 kg
+
0 kg



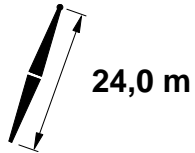
| | 87° | | | 83° | | | 80° | | | | |
|------|---|---|---|--|---|--|---|--|--|--|--|
| |  m |  m |  m |  kg |  m |  kg |  m |  kg |  m | |  kg |
| 16,8 | 74,1 | 72,9 | 18 200 *b | | | | | | | | 16,8 |
| 18,0 | 72,5 | 72,5 | 17 800 *b | | | | | | | | 18,0 |
| 20,0 | 70,0 | 71,8 | 16 900 * | | | | | | | | 20,0 |
| 22,0 | 67,5 | 71,1 | 15 900 * | 69,6 | 71,5 | 16 700 * | | | | | 22,0 |
| 24,0 | 65,0 | 70,2 | 15 000 * | 67,1 | 70,7 | 15 800 * | | | | | 24,0 |
| 26,0 | 62,3 | 69,2 | 14 200 * | 64,5 | 69,8 | 14 900 * | 66,1 | 70,2 | 14 700 | | 26,0 |
| 28,0 | 59,7 | 68,1 | 13 300 * | 61,9 | 68,8 | 13 900 | 63,5 | 69,2 | 13 300 | | 28,0 |
| 30,0 | 56,9 | 66,9 | 12 500 * | 59,2 | 67,7 | 12 600 | 60,9 | 68,2 | 12 100 | | 30,0 |
| 32,0 | 54,0 | 65,5 | 11 700 * | 56,4 | 66,4 | 11 500 | 58,1 | 67,0 | 11 100 | | 32,0 |
| 34,0 | 51,1 | 63,9 | 11 000 * | 53,5 | 65,0 | 10 600 | 55,3 | 65,7 | 10 100 | | 34,0 |
| 36,0 | 48,0 | 62,2 | 10 200 | 50,6 | 63,5 | 9 700 | 52,4 | 64,2 | 9 300 | | 36,0 |
| 38,0 | 44,7 | 60,3 | 9 500 | 47,5 | 61,7 | 9 000 | 49,4 | 62,6 | 8 600 | | 38,0 |
| 40,0 | 41,3 | 58,2 | 8 800 | 44,2 | 59,8 | 8 300 | 46,2 | 60,8 | 8 000 | | 40,0 |
| 42,0 | 37,6 | 55,8 | 8 200 | 40,7 | 57,6 | 7 700 | 42,9 | 58,8 | 7 400 | | 42,0 |
| 44,0 | 33,6 | 53,0 | 7 600 | 36,9 | 55,1 | 7 200 | 39,3 | 56,5 | 6 900 | | 44,0 |
| 46,0 | 29,0 | 49,7 | 7 100 | 32,8 | 52,3 | 6 700 | 35,4 | 53,9 | 6 400 | | 46,0 |
| 48,0 | 23,7 | 45,6 | 6 600 | 28,2 | 48,9 | 6 300 | 31,1 | 50,8 | 6 000 | | 48,0 |
| 50,0 | 17,0 | 40,3 | 6 200 | 22,7 | 44,7 | 5 900 | 26,2 | 47,2 | 5 600 | | 50,0 |
| 52,0 | | | | 15,6 | 38,9 | 5 400 | 20,3 | 42,5 | 5 200 | | 52,0 |
| 54,0 | | | | | | | 11,8 | 35,6 | 4 800 | | 54,0 |
| 56,0 | | | | | | | | | | | 56,0 |
| 58,0 | | | | | | | | | | | 58,0 |

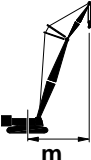



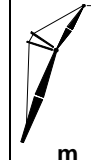




MLC165 S-1

ASME B30.5



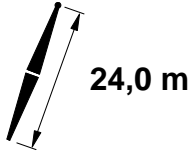
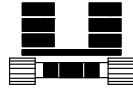
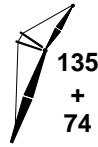
45 130 kg
+
0 kg



| | 75° | | | 70° | | | 65° | | | |
|------|---|---|--|---|---|--|---|---|--|------|
| |  m |  m |  kg |  m |  m |  kg |  m |  m |  kg | |
| 16,8 | | | | | | | | | | 16,8 |
| 18,0 | | | | | | | | | | 18,0 |
| 20,0 | | | | | | | | | | 20,0 |
| 22,0 | | | | | | | | | | 22,0 |
| 24,0 | | | | | | | | | | 24,0 |
| 26,0 | | | | | | | | | | 26,0 |
| 28,0 | | | | | | | | | | 28,0 |
| 30,0 | | | | | | | | | | 30,0 |
| 32,0 | 60,9 | 67,7 | 10 300 | | | | | | | 32,0 |
| 34,0 | 58,2 | 66,5 | 9 400 | | | | | | | 34,0 |
| 36,0 | 55,4 | 65,2 | 8 700 | | | | | | | 36,0 |
| 38,0 | 52,5 | 63,8 | 8 000 | 55,3 | 64,5 | 7 400 | | | | 38,0 |
| 40,0 | 49,4 | 62,1 | 7 400 | 52,4 | 63,1 | 6 800 | | | | 40,0 |
| 42,0 | 46,3 | 60,3 | 6 800 | 49,4 | 61,4 | 6 300 | | | | 42,0 |
| 44,0 | 42,9 | 58,3 | 6 300 | 46,2 | 59,6 | 5 800 | 49,3 | 60,5 | 5 300 | 44,0 |
| 46,0 | 39,4 | 56,0 | 5 900 | 42,9 | 57,6 | 5 400 | 46,1 | 58,7 | 4 900 | 46,0 |
| 48,0 | 35,5 | 53,4 | 5 500 | 39,3 | 55,3 | 5 000 | 42,7 | 56,6 | 4 600 | 48,0 |
| 50,0 | 31,2 | 50,4 | 5 100 | 35,4 | 52,7 | 4 700 | 39,1 | 54,3 | 4 200 | 50,0 |
| 52,0 | 26,3 | 46,7 | 4 800 | 31,2 | 49,6 | 4 300 | 35,3 | 51,7 | 3 900 | 52,0 |
| 54,0 | 20,4 | 42,1 | 4 400 | 26,3 | 46,0 | 4 000 | 31,0 | 48,6 | 3 600 | 54,0 |
| 56,0 | 12,0 | 35,2 | 4 100 | 20,3 | 41,3 | 3 800 | 26,0 | 44,9 | 3 400 | 56,0 |
| 58,0 | | | | | | | 20,0 | 40,2 | 3 100 | 58,0 |

MLC165 S-1

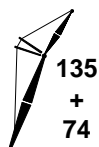
ASME B30.5



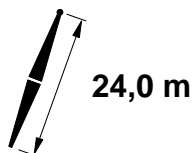
| m | 87° | | | 83° | | | 80° | | | m |
|------|------|------|-----------|------|------|----------|------|------|----------|------|
| | m | m | kg | m | m | kg | m | m | kg | |
| 18,3 | 73,3 | 75,6 | 16 300 *b | | | | | | | 18,3 |
| 20,0 | 71,3 | 75,1 | 15 600 * | | | | | | | 20,0 |
| 22,0 | 68,9 | 74,4 | 14 700 * | | | | | | | 22,0 |
| 24,0 | 66,5 | 73,5 | 13 800 * | 68,5 | 74,0 | 14 500 * | | | | 24,0 |
| 26,0 | 64,1 | 72,6 | 13 000 * | 66,1 | 73,2 | 13 700 * | 67,6 | 73,5 | 14 100 * | 26,0 |
| 28,0 | 61,6 | 71,6 | 12 200 * | 63,7 | 72,3 | 12 900 * | 65,2 | 72,6 | 13 200 * | 28,0 |
| 30,0 | 59,1 | 70,4 | 11 400 * | 61,2 | 71,2 | 12 100 * | 62,7 | 71,6 | 12 000 | 30,0 |
| 32,0 | 56,4 | 69,2 | 10 700 * | 58,6 | 70,1 | 11 300 * | 60,2 | 70,6 | 10 900 | 32,0 |
| 34,0 | 53,7 | 67,8 | 10 000 * | 56,0 | 68,8 | 10 500 | 57,6 | 69,4 | 10 000 | 34,0 |
| 36,0 | 51,0 | 66,2 | 9 300 * | 53,3 | 67,3 | 9 600 | 55,0 | 68,0 | 9 200 | 36,0 |
| 38,0 | 48,0 | 64,5 | 8 600 * | 50,5 | 65,8 | 8 900 | 52,2 | 66,5 | 8 500 | 38,0 |
| 40,0 | 45,0 | 62,6 | 8 100 * | 47,5 | 64,0 | 8 200 | 49,4 | 64,9 | 7 900 | 40,0 |
| 42,0 | 41,8 | 60,5 | 7 500 * | 44,5 | 62,1 | 7 600 | 46,4 | 63,1 | 7 300 | 42,0 |
| 44,0 | 38,3 | 58,2 | 7 000 * | 41,2 | 60,0 | 7 100 | 43,3 | 61,1 | 6 800 | 44,0 |
| 46,0 | 34,6 | 55,4 | 6 500 * | 37,7 | 57,5 | 6 600 | 39,9 | 58,8 | 6 300 | 46,0 |
| 48,0 | 30,5 | 52,3 | 6 000 * | 34,0 | 54,8 | 6 200 | 36,3 | 56,3 | 5 900 | 48,0 |
| 50,0 | 25,8 | 48,6 | 5 400 * | 29,8 | 51,5 | 5 800 | 32,4 | 53,4 | 5 500 | 50,0 |
| 52,0 | 20,2 | 43,9 | 4 900 * | 25,0 | 47,7 | 5 400 | 28,0 | 49,9 | 5 100 | 52,0 |
| 54,0 | 12,2 | 37,0 | 4 500 * | 19,1 | 42,7 | 4 900 * | 22,9 | 45,7 | 4 800 | 54,0 |
| 56,0 | | | | 10,3 | 35,1 | 4 500 * | 16,3 | 40,1 | 4 400 | 56,0 |
| 58,0 | | | | | | | | | | 58,0 |
| 60,0 | | | | | | | | | | 60,0 |
| 62,0 | | | | | | | | | | 62,0 |


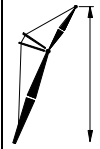


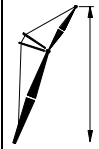


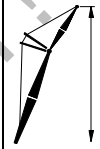

MLC165 S-1

ASME B30.5



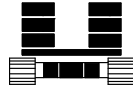
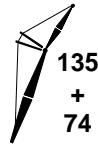
45 130 kg
+
0 kg



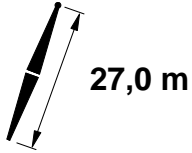
| | 75° | | | 70° | | | 65° | | | |
|------|---|---|---|---|---|---|---|---|---|------|
| |  |  |  |  |  |  |  |  |  | |
| | m | m | kg | m | m | kg | m | m | kg | m |
| 18,3 | | | | | | | | | | 18,3 |
| 20,0 | | | | | | | | | | 20,0 |
| 22,0 | | | | | | | | | | 22,0 |
| 24,0 | | | | | | | | | | 24,0 |
| 26,0 | | | | | | | | | | 26,0 |
| 28,0 | | | | | | | | | | 28,0 |
| 30,0 | | | | | | | | | | 30,0 |
| 32,0 | 62,8 | 71,2 | 10 200 | | | | | | | 32,0 |
| 34,0 | 60,3 | 70,1 | 9 300 | | | | | | | 34,0 |
| 36,0 | 57,7 | 68,9 | 8 600 | | | | | | | 36,0 |
| 38,0 | 55,0 | 67,5 | 7 900 | | | | | | | 38,0 |
| 40,0 | 52,3 | 66,1 | 7 300 | 55,0 | 66,8 | 6 700 | | | | 40,0 |
| 42,0 | 49,4 | 64,4 | 6 800 | 52,2 | 65,4 | 6 200 | | | | 42,0 |
| 44,0 | 46,4 | 62,6 | 6 300 | 49,4 | 63,7 | 5 700 | | | | 44,0 |
| 46,0 | 43,3 | 60,6 | 5 800 | 46,4 | 61,9 | 5 300 | 49,3 | 62,8 | 4 800 | 46,0 |
| 48,0 | 40,0 | 58,4 | 5 400 | 43,3 | 59,9 | 4 900 | 46,3 | 61,0 | 4 400 | 48,0 |
| 50,0 | 36,4 | 55,8 | 5 000 | 39,9 | 57,7 | 4 600 | 43,1 | 59,0 | 4 100 | 50,0 |
| 52,0 | 32,5 | 52,9 | 4 700 | 36,4 | 55,1 | 4 200 | 39,8 | 56,7 | 3 800 | 52,0 |
| 54,0 | 28,1 | 49,5 | 4 300 | 32,4 | 52,2 | 3 900 | 36,2 | 54,1 | 3 500 | 54,0 |
| 56,0 | 23,0 | 45,3 | 4 000 | 28,0 | 48,8 | 3 700 | 32,3 | 51,2 | 3 300 | 56,0 |
| 58,0 | 16,4 | 39,7 | 3 700 | 22,9 | 44,6 | 3 400 | 27,8 | 47,7 | 3 000 | 58,0 |
| 60,0 | | | | 16,3 | 38,9 | 3 100 | 22,6 | 43,5 | 2 800 | 60,0 |
| 62,0 | | | | | | | 15,9 | 37,8 | 2 500 | 62,0 |





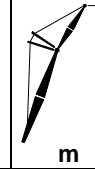



MLC165 S-1

ASME B30.5



45 130 kg
+
0 kg

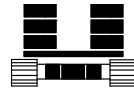
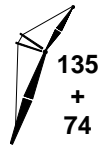


| | 87° | | | 83° | | | 80° | | | |
|------|---|---|--|---|--|--|--|---|----------|------|
| |  m |  m |  kg |  m |  kg |  m |  kg |  m | | |
| 9,1 | 74,7 | 49,6 | 47 900 *d | | | | | | 9,1 | |
| 10,0 | 72,3 | 49,3 | 47 900 *d | | | | | | 10,0 | |
| 12,0 | 66,6 | 48,6 | 46 000 c | | | | | | 12,0 | |
| 14,0 | 60,6 | 47,6 | 37 400 c | 66,2 | 48,3 | 35 900 c | | | 14,0 | |
| 16,0 | 54,2 | 46,3 | 31 300 b | 60,2 | 47,3 | 30 000 b | 64,4 | 47,8 | 29 100 c | 16,0 |
| 18,0 | 47,3 | 44,7 | 26 900 b | 53,8 | 46,0 | 25 700 | 58,3 | 46,7 | 24 900 b | 18,0 |
| 20,0 | 39,4 | 42,6 | 23 500 b | 46,8 | 44,4 | 22 500 | 51,7 | 45,3 | 21 700 | 20,0 |
| 22,0 | 30,0 | 39,7 | 20 700 | 38,9 | 42,2 | 19 900 | 44,5 | 43,5 | 19 200 | 22,0 |
| 24,0 | 16,3 | 35,0 | 18 500 | 29,3 | 39,2 | 17 700 | 36,2 | 41,2 | 17 100 | 24,0 |
| 26,0 | | | | | | | 25,8 | 37,8 | 15 400 | 26,0 |
| 28,0 | | | | | | | | | | 28,0 |
| 30,0 | | | | | | | | | | 30,0 |
| 32,0 | | | | | | | | | | 32,0 |

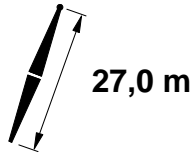
REFERENCE ONLY

MLC165 S-1

ASME B30.5



45 130 kg
+
0 kg

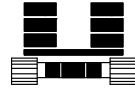
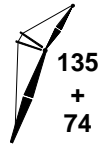


| | 75° | | | 70° | | | 65° | | | |
|------|------|------|-----------------|------|------|--------|------|------|--------|------|
| | | | | | | | | | | |
| | m | m | kg | m | m | kg | m | m | kg | m |
| 9,1 | | | | | | | | | | 9,1 |
| 10,0 | | | | | | | | | | 10,0 |
| 12,0 | | | | | | | | | | 12,0 |
| 14,0 | | | | | | | | | | 14,0 |
| 16,0 | | | | | | | | | | 16,0 |
| 18,0 | | | | | | | | | | 18,0 |
| 20,0 | 59,2 | 46,3 | 20 400 b | | | | | | | 20,0 |
| 22,0 | 52,7 | 45,0 | 18 000 b | | | | | | | 22,0 |
| 24,0 | 45,6 | 43,2 | 16 100 | 53,5 | 44,4 | 15 100 | | | | 24,0 |
| 26,0 | 37,5 | 41,0 | 14 500 | 46,5 | 42,7 | 13 600 | | | | 26,0 |
| 28,0 | 27,5 | 37,8 | 13 100 | 38,5 | 40,5 | 12 300 | 47,0 | 41,9 | 11 500 | 28,0 |
| 30,0 | | | | 28,8 | 37,5 | 11 200 | 39,1 | 39,7 | 10 500 | 30,0 |
| 32,0 | | | | 14,0 | 32,4 | 10 200 | 29,6 | 36,8 | 9 500 | 32,0 |

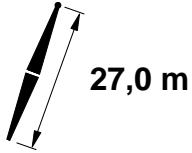
REFERENCE ONLY

MLC165 S-1

ASME B30.5



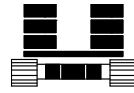
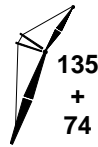
45 130 kg
+
0 kg



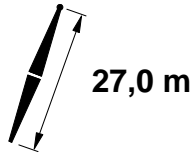
| | 87° | | | 83° | | | 80° | | | |
|------|------|------|-----------|------|------|----------|------|------|----------|------|
| | m | m | kg | m | m | kg | m | m | kg | |
| 10,4 | 73,7 | 52,4 | 43 900 *d | | | | | | | 10,4 |
| 12,0 | 69,6 | 51,9 | 43 900 *c | | | | | | | 12,0 |
| 14,0 | 64,5 | 51,0 | 37 400 c | 69,3 | 51,6 | 35 800 c | | | | 14,0 |
| 16,0 | 59,2 | 50,0 | 31 300 b | 64,2 | 50,8 | 29 900 b | | | | 16,0 |
| 18,0 | 53,6 | 48,6 | 26 800 b | 58,9 | 49,7 | 25 600 | 62,6 | 50,2 | 24 800 b | 18,0 |
| 20,0 | 47,5 | 47,0 | 23 400 b | 53,2 | 48,3 | 22 400 | 57,2 | 49,1 | 21 600 | 20,0 |
| 22,0 | 40,7 | 44,9 | 20 700 | 47,1 | 46,7 | 19 800 | 51,4 | 47,6 | 19 100 | 22,0 |
| 24,0 | 32,9 | 42,2 | 18 500 | 40,3 | 44,6 | 17 600 | 45,1 | 45,8 | 17 000 | 24,0 |
| 26,0 | 22,8 | 38,5 | 16 600 | 32,3 | 41,8 | 15 900 | 38,0 | 43,6 | 15 300 | 26,0 |
| 28,0 | | | | 22,0 | 37,9 | 14 400 | 29,5 | 40,6 | 13 900 | 28,0 |
| 30,0 | | | | | | | 17,8 | 36,0 | 12 600 | 30,0 |
| 32,0 | | | | | | | | | | 32,0 |
| 34,0 | | | | | | | | | | 34,0 |
| 36,0 | | | | | | | | | | 36,0 |

MLC165 S-1

ASME B30.5



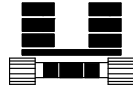
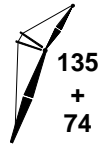
45 130 kg
+
0 kg



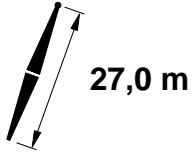
| | 75° | | | 70° | | | 65° | | | |
|------|------|------|-----------------|------|------|--------|------|------|--------|------|
| | | | | | | | | | | |
| | m | m | kg | m | m | kg | m | m | kg | m |
| 10,4 | | | | | | | | | | 10,4 |
| 12,0 | | | | | | | | | | 12,0 |
| 14,0 | | | | | | | | | | 14,0 |
| 16,0 | | | | | | | | | | 16,0 |
| 18,0 | | | | | | | | | | 18,0 |
| 20,0 | | | | | | | | | | 20,0 |
| 22,0 | 58,0 | 48,7 | 17 900 b | | | | | | | 22,0 |
| 24,0 | 52,2 | 47,3 | 16 000 | | | | | | | 24,0 |
| 26,0 | 46,0 | 45,5 | 14 400 | 52,9 | 46,7 | 13 400 | | | | 26,0 |
| 28,0 | 39,1 | 43,4 | 13 000 | 46,8 | 45,0 | 12 200 | | | | 28,0 |
| 30,0 | 30,9 | 40,5 | 11 800 | 39,9 | 42,9 | 11 100 | 47,3 | 44,2 | 10 300 | 30,0 |
| 32,0 | 19,9 | 36,3 | 10 800 | 31,9 | 40,1 | 10 100 | 40,5 | 42,1 | 9 400 | 32,0 |
| 34,0 | | | | 21,4 | 36,1 | 9 300 | 32,6 | 39,4 | 8 600 | 34,0 |
| 36,0 | | | | | | | 22,4 | 35,6 | 7 900 | 36,0 |

MLC165 S-1

ASME B30.5



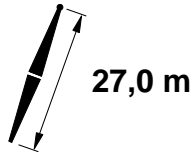
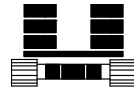
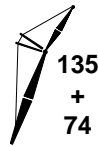
45 130 kg
+
0 kg


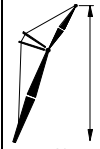


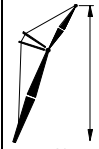


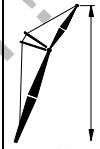



| m | 87° | | | 83° | | | 80° | | | m |
|------|------|------|-----------|------|------|----------|------|------|--------|------|
| | m | m | kg | m | m | kg | m | m | kg | |
| 11,0 | 74,2 | 55,4 | 39 700 *d | | | | | | | 11,0 |
| 12,0 | 72,0 | 55,1 | 39 700 *c | | | | | | | 12,0 |
| 14,0 | 67,5 | 54,4 | 37 400 *c | | | | | | | 14,0 |
| 16,0 | 62,9 | 53,4 | 31 200 b | 67,2 | 54,1 | 29 900 b | | | | 16,0 |
| 18,0 | 58,1 | 52,3 | 26 700 b | 62,6 | 53,2 | 25 500 | | | | 18,0 |
| 20,0 | 53,1 | 50,9 | 23 300 b | 57,8 | 52,0 | 22 300 | 61,2 | 52,6 | 21 500 | 20,0 |
| 22,0 | 47,6 | 49,3 | 20 700 | 52,7 | 50,6 | 19 700 | 56,3 | 51,4 | 19 000 | 22,0 |
| 24,0 | 41,7 | 47,3 | 18 400 | 47,3 | 49,0 | 17 600 | 51,1 | 49,9 | 16 900 | 24,0 |
| 26,0 | 35,0 | 44,7 | 16 600 | 41,3 | 46,9 | 15 800 | 45,5 | 48,1 | 15 300 | 26,0 |
| 28,0 | 26,8 | 41,4 | 15 100 | 34,5 | 44,3 | 14 400 | 39,3 | 46,0 | 13 800 | 28,0 |
| 30,0 | 15,1 | 36,2 | 13 700 | 26,2 | 40,9 | 13 100 | 32,2 | 43,2 | 12 600 | 30,0 |
| 32,0 | | | | 14,1 | 35,5 | 12 000 | 23,2 | 39,4 | 11 500 | 32,0 |
| 34,0 | | | | | | | | | | 34,0 |
| 36,0 | | | | | | | | | | 36,0 |
| 38,0 | | | | | | | | | | 38,0 |

MLC165 S-1

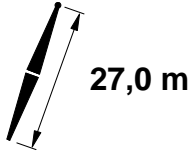
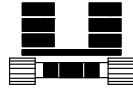
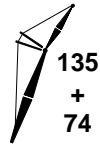
ASME B30.5



| | 75° | | | 70° | | | 65° | | | |
|------|---|---|--|---|---|--|---|---|--|------|
| |  m |  m |  kg |  m |  m |  kg |  m |  m |  kg | |
| 11,0 | | | | | | | | | | 11,0 |
| 12,0 | | | | | | | | | | 12,0 |
| 14,0 | | | | | | | | | | 14,0 |
| 16,0 | | | | | | | | | | 16,0 |
| 18,0 | | | | | | | | | | 18,0 |
| 20,0 | | | | | | | | | | 20,0 |
| 22,0 | | | | | | | | | | 22,0 |
| 24,0 | 57,0 | 51,0 | 15 900 | | | | | | | 24,0 |
| 26,0 | 51,9 | 49,6 | 14 300 | 57,6 | 50,4 | 13 300 | | | | 26,0 |
| 28,0 | 46,4 | 47,8 | 12 900 | 52,5 | 49,0 | 12 100 | | | | 28,0 |
| 30,0 | 40,3 | 45,7 | 11 800 | 47,0 | 47,3 | 11 000 | | | | 30,0 |
| 32,0 | 33,3 | 43,1 | 10 800 | 41,0 | 45,2 | 10 100 | 47,5 | 46,5 | 9 300 | 32,0 |
| 34,0 | 24,7 | 39,4 | 9 900 | 34,2 | 42,6 | 9 200 | 41,5 | 44,4 | 8 500 | 34,0 |
| 36,0 | | | | 25,8 | 39,2 | 8 500 | 34,7 | 41,9 | 7 800 | 36,0 |
| 38,0 | | | | 13,3 | 33,5 | 7 800 | 26,5 | 38,5 | 7 200 | 38,0 |

MLC165 S-1

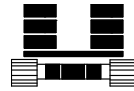
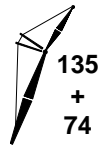
ASME B30.5



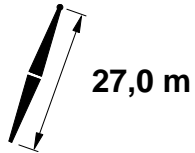
| m | 87° | | | 83° | | | 80° | | | m |
|------|------|------|-----------|------|------|--------|------|------|--------|------|
| | m | m | kg | m | m | kg | m | m | kg | |
| 11,6 | 74,7 | 58,4 | 35 900 *d | | | | | | | 11,6 |
| 12,0 | 73,8 | 58,3 | 35 900 *c | | | | | | | 12,0 |
| 14,0 | 69,9 | 57,6 | 34 300 *c | | | | | | | 14,0 |
| 16,0 | 65,8 | 56,8 | 31 400 *b | | | | | | | 16,0 |
| 18,0 | 61,6 | 55,8 | 26 700 b | 65,6 | 56,6 | 25 500 | | | | 18,0 |
| 20,0 | 57,3 | 54,7 | 23 200 b | 61,4 | 55,6 | 22 200 | 64,3 | 56,0 | 21 300 | 20,0 |
| 22,0 | 52,7 | 53,3 | 20 500 | 57,0 | 54,4 | 19 600 | 60,1 | 55,0 | 18 800 | 22,0 |
| 24,0 | 47,8 | 51,6 | 18 300 | 52,4 | 52,9 | 17 500 | 55,6 | 53,7 | 16 800 | 24,0 |
| 26,0 | 42,5 | 49,6 | 16 500 | 47,5 | 51,3 | 15 700 | 50,9 | 52,2 | 15 100 | 26,0 |
| 28,0 | 36,6 | 47,2 | 15 000 | 42,1 | 49,2 | 14 300 | 45,9 | 50,4 | 13 700 | 28,0 |
| 30,0 | 29,7 | 44,1 | 13 700 | 36,2 | 46,8 | 13 000 | 40,4 | 48,3 | 12 500 | 30,0 |
| 32,0 | 20,9 | 39,9 | 12 500 | 29,2 | 43,7 | 11 900 | 34,2 | 45,7 | 11 400 | 32,0 |
| 34,0 | | | | 20,2 | 39,3 | 10 900 | 26,8 | 42,3 | 10 500 | 34,0 |
| 36,0 | | | | | | | 16,6 | 37,2 | 9 700 | 36,0 |
| 38,0 | | | | | | | | | | 38,0 |
| 40,0 | | | | | | | | | | 40,0 |
| 42,0 | | | | | | | | | | 42,0 |

MLC165 S-1

ASME B30.5



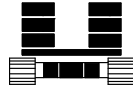
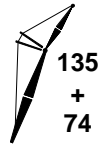
45 130 kg
+
0 kg



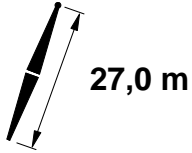
| m | 75° | | | 70° | | | 65° | | | m |
|------|------|------|--------|------|------|--------|------|------|-------|------|
| | m | m | kg | m | m | kg | m | m | kg | |
| 11,6 | | | | | | | | | | 11,6 |
| 12,0 | | | | | | | | | | 12,0 |
| 14,0 | | | | | | | | | | 14,0 |
| 16,0 | | | | | | | | | | 16,0 |
| 18,0 | | | | | | | | | | 18,0 |
| 20,0 | | | | | | | | | | 20,0 |
| 22,0 | | | | | | | | | | 22,0 |
| 24,0 | | | | | | | | | | 24,0 |
| 26,0 | 56,3 | 53,3 | 14 100 | | | | | | | 26,0 |
| 28,0 | 51,6 | 51,9 | 12 800 | | | | | | | 28,0 |
| 30,0 | 46,6 | 50,2 | 11 600 | 52,2 | 51,3 | 10 900 | | | | 30,0 |
| 32,0 | 41,2 | 48,1 | 10 700 | 47,2 | 49,6 | 9 900 | 52,5 | 50,5 | 9 200 | 32,0 |
| 34,0 | 35,1 | 45,5 | 9 800 | 41,9 | 47,6 | 9 100 | 47,6 | 48,8 | 8 400 | 34,0 |
| 36,0 | 27,9 | 42,3 | 9 000 | 35,9 | 45,1 | 8 400 | 42,3 | 46,8 | 7 700 | 36,0 |
| 38,0 | 18,4 | 37,6 | 8 300 | 28,8 | 41,9 | 7 700 | 36,4 | 44,3 | 7 100 | 38,0 |
| 40,0 | | | | 19,7 | 37,5 | 7 100 | 29,4 | 41,3 | 6 600 | 40,0 |
| 42,0 | | | | | | | 20,5 | 37,0 | 6 000 | 42,0 |




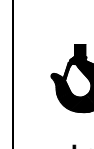

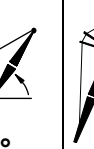
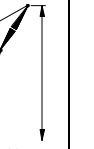



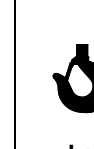


MLC165 S-1

ASME B30.5



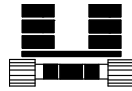
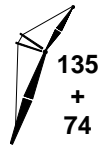
45 130 kg
+
0 kg



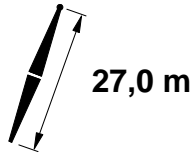
| | 87° | | | 83° | | | 80° | | | | | | | |
|------|---|---|---|---|---|--|---|---|---|--|---|---|--|---|
| |  m |  ° |  m |  ° |  m |  kg |  ° |  m |  kg | |  ° |  m |  kg |  ° |
| 13,7 | 72,3 | 61,0 | 32 100 *c | | | | | | | | | | | 13,7 |
| 14,0 | 71,8 | 60,9 | 31 900 *c | | | | | | | | | | | 14,0 |
| 16,0 | 68,1 | 60,1 | 30 100 *b | | | | | | | | | | | 16,0 |
| 18,0 | 64,4 | 59,3 | 26 800 b | 67,9 | 59,9 | 25 400 | | | | | | | | 18,0 |
| 20,0 | 60,6 | 58,2 | 23 200 b | 64,2 | 59,0 | 22 100 | 66,8 | 59,4 | 21 300 | | | | | 20,0 |
| 22,0 | 56,5 | 57,0 | 20 500 | 60,3 | 57,9 | 19 500 | 63,0 | 58,4 | 18 800 | | | | | 22,0 |
| 24,0 | 52,3 | 55,6 | 18 300 | 56,3 | 56,7 | 17 500 | 59,1 | 57,3 | 16 800 | | | | | 24,0 |
| 26,0 | 47,9 | 53,9 | 16 500 | 52,1 | 55,3 | 15 700 | 55,0 | 56,0 | 15 100 | | | | | 26,0 |
| 28,0 | 43,1 | 51,9 | 15 000 | 47,6 | 53,6 | 14 200 | 50,7 | 54,5 | 13 700 | | | | | 28,0 |
| 30,0 | 37,8 | 49,6 | 13 700 | 42,8 | 51,6 | 13 000 | 46,2 | 52,8 | 12 500 | | | | | 30,0 |
| 32,0 | 31,8 | 46,7 | 12 500 | 37,5 | 49,2 | 11 900 | 41,2 | 50,7 | 11 400 | | | | | 32,0 |
| 34,0 | 24,6 | 43,0 | 11 500 | 31,4 | 46,3 | 10 900 | 35,7 | 48,1 | 10 500 | | | | | 34,0 |
| 36,0 | 14,3 | 37,3 | 10 600 | 24,1 | 42,5 | 10 100 | 29,4 | 45,0 | 9 700 | | | | | 36,0 |
| 38,0 | | | | 13,4 | 36,6 | 9 300 | 21,4 | 40,8 | 9 000 | | | | | 38,0 |
| 40,0 | | | | | | | | | | | | | | 40,0 |
| 42,0 | | | | | | | | | | | | | | 42,0 |
| 44,0 | | | | | | | | | | | | | | 44,0 |


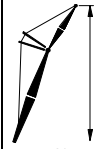
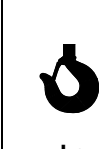

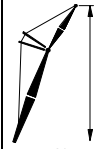


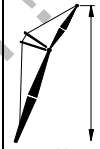

MLC165 S-1

ASME B30.5



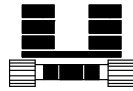
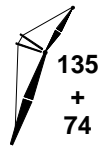
45 130 kg
+
0 kg



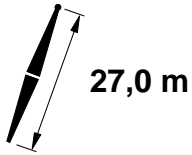
| | 75° | | | 70° | | | 65° | | | |
|------|---|---|--|---|---|--|---|---|--|------|
| |  m |  m |  kg |  m |  m |  kg |  m |  m |  kg | |
| 13,7 | | | | | | | | | | 13,7 |
| 14,0 | | | | | | | | | | 14,0 |
| 16,0 | | | | | | | | | | 16,0 |
| 18,0 | | | | | | | | | | 18,0 |
| 20,0 | | | | | | | | | | 20,0 |
| 22,0 | | | | | | | | | | 22,0 |
| 24,0 | | | | | | | | | | 24,0 |
| 26,0 | 59,7 | 56,9 | 14 100 | | | | | | | 26,0 |
| 28,0 | 55,6 | 55,7 | 12 800 | | | | | | | 28,0 |
| 30,0 | 51,4 | 54,2 | 11 600 | | | | | | | 30,0 |
| 32,0 | 46,9 | 52,5 | 10 700 | 51,9 | 53,6 | 9 900 | | | | 32,0 |
| 34,0 | 42,0 | 50,4 | 9 800 | 47,4 | 51,9 | 9 100 | | | | 34,0 |
| 36,0 | 36,6 | 48,0 | 9 000 | 42,5 | 49,9 | 8 300 | 47,7 | 51,1 | 7 700 | 36,0 |
| 38,0 | 30,4 | 44,9 | 8 300 | 37,2 | 47,5 | 7 700 | 42,9 | 49,1 | 7 100 | 38,0 |
| 40,0 | 22,7 | 40,9 | 7 700 | 31,1 | 44,6 | 7 200 | 37,6 | 46,8 | 6 600 | 40,0 |
| 42,0 | | | | 23,7 | 40,7 | 6 600 | 31,6 | 43,9 | 6 000 | 42,0 |
| 44,0 | | | | 12,8 | 34,6 | 6 100 | 24,3 | 40,1 | 5 600 | 44,0 |

MLC165 S-1

ASME B30.5



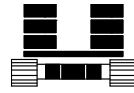
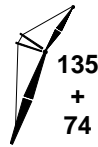
45 130 kg
+
0 kg



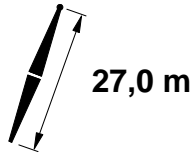
| m | 87° | | | 83° | | | 80° | | | m |
|------|------|------|-----------|------|------|--------|------|------|--------|------|
| | m | m | kg | m | m | kg | m | m | kg | |
| 13,7 | 73,8 | 64,1 | 29 700 *c | | | | | | | 13,7 |
| 14,0 | 73,3 | 64,1 | 29 500 *c | | | | | | | 14,0 |
| 16,0 | 70,0 | 63,4 | 28 000 *b | | | | | | | 16,0 |
| 18,0 | 66,7 | 62,6 | 26 300 b | | | | | | | 18,0 |
| 20,0 | 63,2 | 61,7 | 23 100 b | 66,5 | 62,3 | 22 000 | | | | 20,0 |
| 22,0 | 59,6 | 60,6 | 20 400 | 63,0 | 61,4 | 19 400 | 65,4 | 61,8 | 18 700 | 22,0 |
| 24,0 | 55,9 | 59,3 | 18 200 | 59,4 | 60,3 | 17 300 | 61,9 | 60,8 | 16 600 | 24,0 |
| 26,0 | 52,1 | 57,9 | 16 400 | 55,7 | 59,0 | 15 600 | 58,3 | 59,7 | 15 000 | 26,0 |
| 28,0 | 48,0 | 56,2 | 14 900 | 51,8 | 57,6 | 14 100 | 54,5 | 58,4 | 13 500 | 28,0 |
| 30,0 | 43,6 | 54,2 | 13 600 | 47,7 | 55,9 | 12 900 | 50,6 | 56,8 | 12 300 | 30,0 |
| 32,0 | 38,9 | 52,0 | 12 400 | 43,3 | 53,9 | 11 800 | 46,4 | 55,1 | 11 300 | 32,0 |
| 34,0 | 33,6 | 49,2 | 11 400 | 38,5 | 51,6 | 10 800 | 41,9 | 53,0 | 10 400 | 34,0 |
| 36,0 | 27,4 | 45,8 | 10 600 | 33,2 | 48,8 | 10 000 | 37,0 | 50,6 | 9 600 | 36,0 |
| 38,0 | 19,5 | 41,2 | 9 800 | 26,9 | 45,4 | 9 200 | 31,4 | 47,6 | 8 900 | 38,0 |
| 40,0 | | | | 18,9 | 40,6 | 8 600 | 24,8 | 43,9 | 8 200 | 40,0 |
| 42,0 | | | | | | | 15,7 | 38,4 | 7 600 | 42,0 |
| 44,0 | | | | | | | | | | 44,0 |
| 46,0 | | | | | | | | | | 46,0 |
| 48,0 | | | | | | | | | | 48,0 |

MLC165 S-1

ASME B30.5



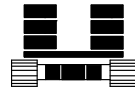
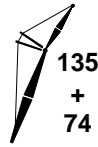
45 130 kg
+
0 kg



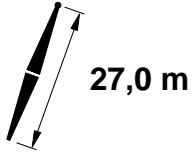
| m | 75° | | | 70° | | | 65° | | | m |
|------|------|------|--------|------|------|-------|------|------|-------|------|
| | m | m | kg | m | m | kg | m | m | kg | |
| 13,7 | | | | | | | | | | 13,7 |
| 14,0 | | | | | | | | | | 14,0 |
| 16,0 | | | | | | | | | | 16,0 |
| 18,0 | | | | | | | | | | 18,0 |
| 20,0 | | | | | | | | | | 20,0 |
| 22,0 | | | | | | | | | | 22,0 |
| 24,0 | | | | | | | | | | 24,0 |
| 26,0 | 62,4 | 60,4 | 13 900 | | | | | | | 26,0 |
| 28,0 | 58,8 | 59,3 | 12 600 | | | | | | | 28,0 |
| 30,0 | 55,1 | 58,0 | 11 500 | | | | | | | 30,0 |
| 32,0 | 51,2 | 56,5 | 10 500 | 55,5 | 57,4 | 9 700 | | | | 32,0 |
| 34,0 | 47,0 | 54,8 | 9 600 | 51,6 | 55,9 | 8 900 | | | | 34,0 |
| 36,0 | 42,6 | 52,7 | 8 900 | 47,5 | 54,2 | 8 200 | | | | 36,0 |
| 38,0 | 37,7 | 50,4 | 8 200 | 43,1 | 52,2 | 7 600 | 47,8 | 53,4 | 6 900 | 38,0 |
| 40,0 | 32,3 | 47,5 | 7 600 | 38,3 | 49,9 | 7 000 | 43,5 | 51,4 | 6 400 | 40,0 |
| 42,0 | 25,8 | 43,9 | 7 100 | 32,9 | 47,1 | 6 500 | 38,7 | 49,1 | 5 900 | 42,0 |
| 44,0 | 17,3 | 38,8 | 6 500 | 26,6 | 43,6 | 6 000 | 33,4 | 46,4 | 5 500 | 44,0 |
| 46,0 | | | | 18,4 | 38,8 | 5 600 | 27,1 | 43,0 | 5 100 | 46,0 |
| 48,0 | | | | | | | 19,2 | 38,3 | 4 700 | 48,0 |

MLC165 S-1

ASME B30.5



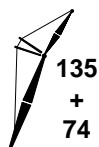
45 130 kg
+
0 kg



| m | 87° | | | 83° | | | 80° | | | m |
|------|------|------|-----------|------|------|----------|------|------|--------|------|
| | m | m | kg | m | m | kg | m | m | kg | |
| 15,2 | 72,8 | 66,9 | 22 400 *c | | | | | | | 15,2 |
| 16,0 | 71,6 | 66,6 | 22 200 *c | | | | | | | 16,0 |
| 18,0 | 68,6 | 65,9 | 21 600 *b | | | | | | | 18,0 |
| 20,0 | 65,4 | 65,1 | 21 100 *b | 68,4 | 65,6 | 21 600 * | | | | 20,0 |
| 22,0 | 62,2 | 64,1 | 20 300 * | 65,2 | 64,8 | 19 300 | | | | 22,0 |
| 24,0 | 58,9 | 62,9 | 18 100 | 62,0 | 63,8 | 17 200 | 64,2 | 64,3 | 16 600 | 24,0 |
| 26,0 | 55,4 | 61,6 | 16 300 | 58,7 | 62,7 | 15 500 | 61,0 | 63,2 | 14 800 | 26,0 |
| 28,0 | 51,8 | 60,2 | 14 800 | 55,2 | 61,3 | 14 000 | 57,6 | 62,0 | 13 400 | 28,0 |
| 30,0 | 48,1 | 58,5 | 13 500 | 51,6 | 59,9 | 12 800 | 54,1 | 60,7 | 12 200 | 30,0 |
| 32,0 | 44,0 | 56,6 | 12 300 | 47,8 | 58,2 | 11 700 | 50,5 | 59,1 | 11 200 | 32,0 |
| 34,0 | 39,7 | 54,3 | 11 400 | 43,8 | 56,2 | 10 800 | 46,6 | 57,4 | 10 300 | 34,0 |
| 36,0 | 34,9 | 51,7 | 10 500 | 39,4 | 54,0 | 9 900 | 42,5 | 55,3 | 9 500 | 36,0 |
| 38,0 | 29,5 | 48,5 | 9 700 | 34,6 | 51,3 | 9 200 | 38,0 | 53,0 | 8 800 | 38,0 |
| 40,0 | 23,0 | 44,5 | 9 000 | 29,1 | 48,1 | 8 500 | 33,0 | 50,2 | 8 100 | 40,0 |
| 42,0 | 13,8 | 38,5 | 8 400 | 22,5 | 44,0 | 7 900 | 27,3 | 46,7 | 7 600 | 42,0 |
| 44,0 | | | | 13,0 | 37,7 | 7 300 | 20,1 | 42,2 | 7 000 | 44,0 |
| 46,0 | | | | | | | | | | 46,0 |
| 48,0 | | | | | | | | | | 48,0 |
| 50,0 | | | | | | | | | | 50,0 |

MLC165 S-1

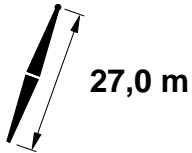
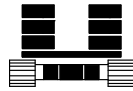
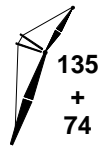
ASME B30.5



| m | 75° | | | 70° | | | 65° | | | m |
|------|------|------|--------|------|------|-------|------|------|-------|------|
| | m | m | kg | m | m | kg | m | m | kg | |
| 15,2 | | | | | | | | | | 15,2 |
| 16,0 | | | | | | | | | | 16,0 |
| 18,0 | | | | | | | | | | 18,0 |
| 20,0 | | | | | | | | | | 20,0 |
| 22,0 | | | | | | | | | | 22,0 |
| 24,0 | | | | | | | | | | 24,0 |
| 26,0 | | | | | | | | | | 26,0 |
| 28,0 | 61,5 | 62,8 | 12 500 | | | | | | | 28,0 |
| 30,0 | 58,1 | 61,6 | 11 400 | | | | | | | 30,0 |
| 32,0 | 54,6 | 60,3 | 10 400 | | | | | | | 32,0 |
| 34,0 | 51,0 | 58,8 | 9 600 | 55,0 | 59,7 | 8 800 | | | | 34,0 |
| 36,0 | 47,2 | 57,1 | 8 800 | 51,4 | 58,2 | 8 100 | | | | 36,0 |
| 38,0 | 43,1 | 55,1 | 8 100 | 47,6 | 56,5 | 7 500 | | | | 38,0 |
| 40,0 | 38,7 | 52,8 | 7 500 | 43,6 | 54,5 | 6 900 | 47,9 | 55,7 | 6 300 | 40,0 |
| 42,0 | 33,8 | 50,0 | 7 000 | 39,2 | 52,3 | 6 400 | 43,9 | 53,8 | 5 800 | 42,0 |
| 44,0 | 28,2 | 46,7 | 6 500 | 34,4 | 49,6 | 5 900 | 39,6 | 51,5 | 5 400 | 44,0 |
| 46,0 | 21,3 | 42,4 | 6 000 | 28,9 | 46,4 | 5 500 | 34,8 | 48,9 | 5 000 | 46,0 |
| 48,0 | | | | 22,1 | 42,2 | 5 100 | 29,3 | 45,7 | 4 600 | 48,0 |
| 50,0 | | | | 12,4 | 35,7 | 4 700 | 22,7 | 41,6 | 4 300 | 50,0 |

MLC165 S-1

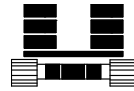
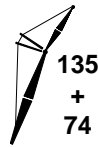
ASME B30.5



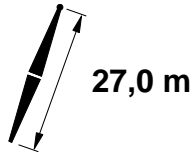
| m | 87° | | | 83° | | | 80° | | | m |
|------|------|------|-----------|------|------|----------|------|------|--------|------|
| | m | m | kg | m | m | kg | m | m | kg | |
| 15,2 | 74,1 | 70,0 | 21 000 *c | | | | | | | 15,2 |
| 16,0 | 73,0 | 69,8 | 20 700 *c | | | | | | | 16,0 |
| 18,0 | 70,2 | 69,2 | 20 200 *b | | | | | | | 18,0 |
| 20,0 | 67,3 | 68,4 | 19 800 *b | 70,0 | 68,9 | 20 300 * | | | | 20,0 |
| 22,0 | 64,3 | 67,5 | 19 000 * | 67,1 | 68,1 | 19 400 | | | | 22,0 |
| 24,0 | 61,3 | 66,5 | 17 900 | 64,1 | 67,2 | 17 100 | 66,2 | 67,6 | 16 400 | 24,0 |
| 26,0 | 58,2 | 65,3 | 16 200 | 61,1 | 66,2 | 15 300 | 63,2 | 66,7 | 14 700 | 26,0 |
| 28,0 | 55,0 | 64,0 | 14 700 | 58,0 | 65,0 | 13 900 | 60,2 | 65,6 | 13 300 | 28,0 |
| 30,0 | 51,6 | 62,5 | 13 300 | 54,8 | 63,7 | 12 700 | 57,0 | 64,4 | 12 100 | 30,0 |
| 32,0 | 48,1 | 60,8 | 12 200 | 51,4 | 62,2 | 11 600 | 53,8 | 63,0 | 11 100 | 32,0 |
| 34,0 | 44,4 | 58,9 | 11 300 | 47,9 | 60,5 | 10 600 | 50,4 | 61,4 | 10 200 | 34,0 |
| 36,0 | 40,4 | 56,7 | 10 400 | 44,2 | 58,5 | 9 800 | 46,8 | 59,7 | 9 400 | 36,0 |
| 38,0 | 36,1 | 54,2 | 9 600 | 40,2 | 56,3 | 9 100 | 43,0 | 57,7 | 8 600 | 38,0 |
| 40,0 | 31,2 | 51,2 | 8 900 | 35,8 | 53,8 | 8 400 | 38,9 | 55,4 | 8 000 | 40,0 |
| 42,0 | 25,6 | 47,5 | 8 300 | 30,9 | 50,7 | 7 800 | 34,4 | 52,7 | 7 400 | 42,0 |
| 44,0 | 18,4 | 42,5 | 7 700 | 25,2 | 47,0 | 7 300 | 29,3 | 49,4 | 6 900 | 44,0 |
| 46,0 | | | | 17,9 | 41,9 | 6 800 | 23,2 | 45,4 | 6 500 | 46,0 |
| 48,0 | | | | | | | 15,0 | 39,6 | 6 000 | 48,0 |
| 50,0 | | | | | | | | | | 50,0 |
| 52,0 | | | | | | | | | | 52,0 |
| 54,0 | | | | | | | | | | 54,0 |

MLC165 S-1

ASME B30.5



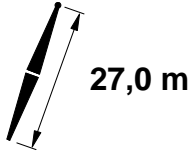
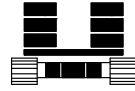
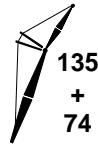
45 130 kg
+
0 kg



| | 75° | | | 70° | | | 65° | | | |
|------|------|------|--------|------|------|-------|------|------|-------|------|
| | m | m | kg | m | m | kg | m | m | kg | |
| 15,2 | | | | | | | | | | 15,2 |
| 16,0 | | | | | | | | | | 16,0 |
| 18,0 | | | | | | | | | | 18,0 |
| 20,0 | | | | | | | | | | 20,0 |
| 22,0 | | | | | | | | | | 22,0 |
| 24,0 | | | | | | | | | | 24,0 |
| 26,0 | | | | | | | | | | 26,0 |
| 28,0 | | | | | | | | | | 28,0 |
| 30,0 | 60,6 | 65,2 | 11 200 | | | | | | | 30,0 |
| 32,0 | 57,5 | 64,0 | 10 200 | | | | | | | 32,0 |
| 34,0 | 54,3 | 62,6 | 9 400 | | | | | | | 34,0 |
| 36,0 | 50,9 | 61,1 | 8 600 | 54,6 | 62,0 | 7 900 | | | | 36,0 |
| 38,0 | 47,3 | 59,4 | 8 000 | 51,3 | 60,5 | 7 300 | | | | 38,0 |
| 40,0 | 43,5 | 57,4 | 7 400 | 47,7 | 58,8 | 6 700 | 51,5 | 59,7 | 6 100 | 40,0 |
| 42,0 | 39,5 | 55,1 | 6 800 | 44,0 | 56,9 | 6 200 | 48,0 | 58,0 | 5 600 | 42,0 |
| 44,0 | 35,1 | 52,5 | 6 300 | 40,0 | 54,6 | 5 800 | 44,3 | 56,1 | 5 200 | 44,0 |
| 46,0 | 30,1 | 49,4 | 5 900 | 35,6 | 52,1 | 5 400 | 40,3 | 53,9 | 4 800 | 46,0 |
| 48,0 | 24,2 | 45,5 | 5 500 | 30,7 | 49,0 | 5 000 | 35,9 | 51,3 | 4 500 | 48,0 |
| 50,0 | 16,4 | 40,1 | 5 100 | 24,9 | 45,2 | 4 600 | 31,1 | 48,3 | 4 100 | 50,0 |
| 52,0 | | | | 17,5 | 40,1 | 4 300 | 25,4 | 44,6 | 3 800 | 52,0 |
| 54,0 | | | | | | | 18,2 | 39,6 | 3 500 | 54,0 |

MLC165 S-1

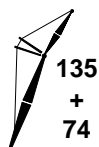
ASME B30.5



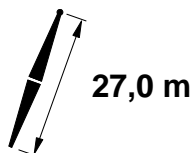
| m | 87° | | | 83° | | | 80° | | | m |
|------|------|------|-----------|------|------|----------|------|------|--------|------|
| | m | m | kg | m | m | kg | m | m | kg | |
| 16,8 | 73,2 | 72,8 | 19 200 *b | | | | | | | 16,8 |
| 18,0 | 71,5 | 72,4 | 19 000 *b | | | | | | | 18,0 |
| 20,0 | 68,9 | 71,7 | 18 400 *b | | | | | | | 20,0 |
| 22,0 | 66,2 | 70,8 | 17 400 * | 68,7 | 71,4 | 18 300 * | | | | 22,0 |
| 24,0 | 63,4 | 69,9 | 16 500 * | 66,0 | 70,6 | 17 100 | | | | 24,0 |
| 26,0 | 60,5 | 68,8 | 15 600 * | 63,2 | 69,6 | 15 300 | 65,1 | 70,0 | 14 700 | 26,0 |
| 28,0 | 57,6 | 67,6 | 14 600 * | 60,4 | 68,5 | 13 900 | 62,4 | 69,1 | 13 300 | 28,0 |
| 30,0 | 54,6 | 66,3 | 13 300 | 57,4 | 67,3 | 12 600 | 59,5 | 68,0 | 12 000 | 30,0 |
| 32,0 | 51,5 | 64,8 | 12 200 | 54,4 | 66,0 | 11 500 | 56,5 | 66,7 | 11 000 | 32,0 |
| 34,0 | 48,2 | 63,1 | 11 200 | 51,3 | 64,5 | 10 600 | 53,5 | 65,3 | 10 100 | 34,0 |
| 36,0 | 44,7 | 61,2 | 10 300 | 48,0 | 62,8 | 9 800 | 50,3 | 63,7 | 9 300 | 36,0 |
| 38,0 | 41,0 | 59,0 | 9 600 | 44,5 | 60,9 | 9 000 | 46,9 | 62,0 | 8 600 | 38,0 |
| 40,0 | 37,1 | 56,6 | 8 900 | 40,8 | 58,7 | 8 400 | 43,4 | 60,0 | 8 000 | 40,0 |
| 42,0 | 32,7 | 53,7 | 8 300 | 36,8 | 56,2 | 7 800 | 39,6 | 57,7 | 7 400 | 42,0 |
| 44,0 | 27,7 | 50,3 | 7 700 | 32,4 | 53,3 | 7 200 | 35,5 | 55,1 | 6 900 | 44,0 |
| 46,0 | 21,7 | 45,9 | 7 200 | 27,4 | 49,8 | 6 700 | 30,9 | 52,1 | 6 400 | 46,0 |
| 48,0 | 13,4 | 39,6 | 6 700 | 21,3 | 45,4 | 6 300 | 25,6 | 48,4 | 6 000 | 48,0 |
| 50,0 | | | | 12,7 | 38,8 | 5 900 | 19,1 | 43,5 | 5 600 | 50,0 |
| 52,0 | | | | | | | | | | 52,0 |
| 54,0 | | | | | | | | | | 54,0 |
| 56,0 | | | | | | | | | | 56,0 |

MLC165 S-1

ASME B30.5



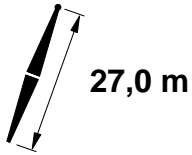
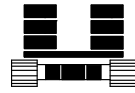
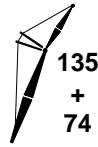
45 130 kg
+
0 kg




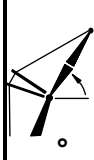
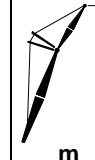





| | 75° | | | 70° | | | 65° | | | |
|------|------|------|--------|------|------|-------|------|------|-------|------|
| | | | | | | | | | | |
| | m | m | kg | m | m | kg | m | m | kg | m |
| 16,8 | | | | | | | | | | 16,8 |
| 18,0 | | | | | | | | | | 18,0 |
| 20,0 | | | | | | | | | | 20,0 |
| 22,0 | | | | | | | | | | 22,0 |
| 24,0 | | | | | | | | | | 24,0 |
| 26,0 | | | | | | | | | | 26,0 |
| 28,0 | | | | | | | | | | 28,0 |
| 30,0 | | | | | | | | | | 30,0 |
| 32,0 | 59,9 | 67,5 | 10 200 | | | | | | | 32,0 |
| 34,0 | 57,0 | 66,3 | 9 300 | | | | | | | 34,0 |
| 36,0 | 53,9 | 64,9 | 8 600 | | | | | | | 36,0 |
| 38,0 | 50,7 | 63,4 | 7 900 | 54,3 | 64,3 | 7 200 | | | | 38,0 |
| 40,0 | 47,4 | 61,7 | 7 300 | 51,1 | 62,8 | 6 700 | | | | 40,0 |
| 42,0 | 43,9 | 59,7 | 6 800 | 47,8 | 61,1 | 6 200 | 51,4 | 62,0 | 5 600 | 42,0 |
| 44,0 | 40,2 | 57,5 | 6 300 | 44,3 | 59,2 | 5 700 | 48,1 | 60,3 | 5 200 | 44,0 |
| 46,0 | 36,1 | 54,9 | 5 900 | 40,6 | 57,0 | 5 300 | 44,6 | 58,4 | 4 800 | 46,0 |
| 48,0 | 31,6 | 52,0 | 5 500 | 36,6 | 54,5 | 4 900 | 40,9 | 56,2 | 4 400 | 48,0 |
| 50,0 | 26,5 | 48,4 | 5 100 | 32,2 | 51,6 | 4 600 | 36,9 | 53,7 | 4 100 | 50,0 |
| 52,0 | 20,1 | 43,7 | 4 700 | 27,1 | 48,1 | 4 300 | 32,5 | 50,9 | 3 800 | 52,0 |
| 54,0 | | | | 20,9 | 43,6 | 4 000 | 27,5 | 47,4 | 3 500 | 54,0 |
| 56,0 | | | | 12,1 | 36,8 | 3 700 | 21,5 | 43,0 | 3 300 | 56,0 |

MLC165 S-1

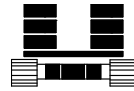
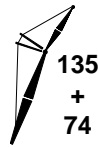
ASME B30.5



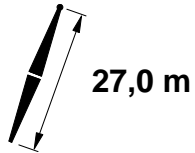
| | 87° | | | 83° | | | 80° | | | |
|------|---|---|--|---|--|--|--|---|--------|------|
| |  m |  m |  kg |  m |  kg |  m |  kg |  m | | |
| 16,8 | 74,2 | 75,9 | 17 900 *b | | | | | | 16,8 | |
| 18,0 | 72,7 | 75,6 | 17 600 *b | | | | | | 18,0 | |
| 20,0 | 70,2 | 74,9 | 16 800 * | | | | | | 20,0 | |
| 22,0 | 67,7 | 74,1 | 15 900 * | 70,1 | 74,7 | 16 800 * | | | 22,0 | |
| 24,0 | 65,2 | 73,3 | 15 000 * | 67,6 | 73,9 | 15 900 * | | | 24,0 | |
| 26,0 | 62,5 | 72,3 | 14 200 * | 65,0 | 73,0 | 15 000 * | 66,8 | 73,4 | 14 500 | 26,0 |
| 28,0 | 59,9 | 71,2 | 13 300 * | 62,4 | 72,0 | 13 700 | 64,2 | 72,5 | 13 100 | 28,0 |
| 30,0 | 57,1 | 70,0 | 12 500 * | 59,7 | 70,9 | 12 500 | 61,6 | 71,5 | 11 900 | 30,0 |
| 32,0 | 54,3 | 68,6 | 11 700 * | 56,9 | 69,7 | 11 400 | 58,9 | 70,3 | 10 900 | 32,0 |
| 34,0 | 51,3 | 67,1 | 11 000 * | 54,1 | 68,3 | 10 400 | 56,1 | 69,0 | 10 000 | 34,0 |
| 36,0 | 48,2 | 65,4 | 10 300 | 51,1 | 66,8 | 9 600 | 53,2 | 67,6 | 9 200 | 36,0 |
| 38,0 | 45,0 | 63,5 | 9 500 | 48,0 | 65,1 | 8 900 | 50,2 | 66,0 | 8 500 | 38,0 |
| 40,0 | 41,6 | 61,4 | 8 800 | 44,8 | 63,2 | 8 300 | 47,1 | 64,3 | 7 900 | 40,0 |
| 42,0 | 37,9 | 59,0 | 8 200 | 41,4 | 61,0 | 7 600 | 43,8 | 62,3 | 7 300 | 42,0 |
| 44,0 | 33,9 | 56,2 | 7 600 | 37,7 | 58,6 | 7 100 | 40,3 | 60,1 | 6 800 | 44,0 |
| 46,0 | 29,4 | 53,0 | 7 100 | 33,6 | 55,8 | 6 600 | 36,5 | 57,6 | 6 300 | 46,0 |
| 48,0 | 24,2 | 49,0 | 6 600 | 29,1 | 52,5 | 6 200 | 32,3 | 54,6 | 5 900 | 48,0 |
| 50,0 | 17,6 | 43,8 | 6 200 | 23,8 | 48,5 | 5 800 | 27,6 | 51,2 | 5 500 | 50,0 |
| 52,0 | | | | 17,1 | 43,2 | 5 400 | 22,0 | 46,8 | 5 100 | 52,0 |
| 54,0 | | | | | | | 14,5 | 40,8 | 4 700 | 54,0 |
| 56,0 | | | | | | | | | | 56,0 |
| 58,0 | | | | | | | | | | 58,0 |
| 60,0 | | | | | | | | | | 60,0 |

MLC165 S-1

ASME B30.5



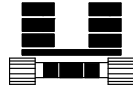
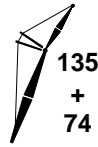
45 130 kg
+
0 kg



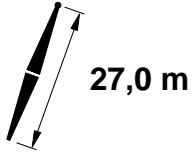
| | 75° | | | 70° | | | 65° | | | |
|------|------|------|--------|------|------|-------|------|------|-------|------|
| | | | | | | | | | | |
| m | m | m | kg | m | m | kg | m | m | kg | m |
| 16,8 | | | | | | | | | | 16,8 |
| 18,0 | | | | | | | | | | 18,0 |
| 20,0 | | | | | | | | | | 20,0 |
| 22,0 | | | | | | | | | | 22,0 |
| 24,0 | | | | | | | | | | 24,0 |
| 26,0 | | | | | | | | | | 26,0 |
| 28,0 | | | | | | | | | | 28,0 |
| 30,0 | | | | | | | | | | 30,0 |
| 32,0 | 62,0 | 71,0 | 10 000 | | | | | | | 32,0 |
| 34,0 | 59,3 | 69,9 | 9 200 | | | | | | | 34,0 |
| 36,0 | 56,5 | 68,7 | 8 500 | | | | | | | 36,0 |
| 38,0 | 53,6 | 67,3 | 7 800 | | | | | | | 38,0 |
| 40,0 | 50,6 | 65,7 | 7 200 | 53,9 | 66,7 | 6 500 | | | | 40,0 |
| 42,0 | 47,5 | 64,0 | 6 700 | 51,0 | 65,1 | 6 100 | | | | 42,0 |
| 44,0 | 44,3 | 62,0 | 6 200 | 47,9 | 63,4 | 5 600 | | | | 44,0 |
| 46,0 | 40,8 | 59,8 | 5 700 | 44,6 | 61,5 | 5 200 | 48,1 | 62,6 | 4 600 | 46,0 |
| 48,0 | 37,0 | 57,4 | 5 300 | 41,2 | 59,3 | 4 800 | 44,9 | 60,7 | 4 300 | 48,0 |
| 50,0 | 32,9 | 54,5 | 4 900 | 37,5 | 56,9 | 4 400 | 41,5 | 58,6 | 4 000 | 50,0 |
| 52,0 | 28,3 | 51,1 | 4 600 | 33,4 | 54,1 | 4 100 | 37,8 | 56,1 | 3 600 | 52,0 |
| 54,0 | 22,9 | 47,0 | 4 300 | 28,9 | 50,8 | 3 800 | 33,8 | 53,4 | 3 400 | 54,0 |
| 56,0 | 15,8 | 41,3 | 4 000 | 23,6 | 46,7 | 3 500 | 29,3 | 50,1 | 3 100 | 56,0 |
| 58,0 | | | | 16,7 | 41,3 | 3 300 | 24,0 | 46,1 | 2 900 | 58,0 |
| 60,0 | | | | | | | 17,4 | 40,8 | 2 600 | 60,0 |

MLC165 S-1

ASME B30.5



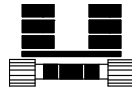
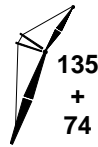
45 130 kg
+
0 kg



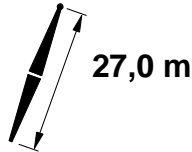
| m | 87° | | | 83° | | | 80° | | | m |
|------|------|------|-----------|------|------|----------|------|------|--------|------|
| | m | m | kg | m | m | kg | m | m | kg | |
| 18,3 | 73,4 | 78,7 | 16 200 *b | | | | | | | 18,3 |
| 20,0 | 71,5 | 78,1 | 15 500 *b | | | | | | | 20,0 |
| 22,0 | 69,1 | 77,4 | 14 600 * | | | | | | | 22,0 |
| 24,0 | 66,7 | 76,6 | 13 800 * | 69,0 | 77,2 | 14 600 * | | | | 24,0 |
| 26,0 | 64,3 | 75,7 | 13 000 * | 66,6 | 76,3 | 13 800 * | | | | 26,0 |
| 28,0 | 61,8 | 74,7 | 12 200 * | 64,1 | 75,4 | 13 000 * | 65,8 | 75,8 | 13 000 | 28,0 |
| 30,0 | 59,3 | 73,6 | 11 400 * | 61,6 | 74,4 | 12 200 * | 63,4 | 74,9 | 11 800 | 30,0 |
| 32,0 | 56,7 | 72,3 | 10 700 * | 59,1 | 73,3 | 11 300 | 60,9 | 73,8 | 10 800 | 32,0 |
| 34,0 | 54,0 | 70,9 | 10 000 * | 56,5 | 72,0 | 10 400 | 58,3 | 72,7 | 9 900 | 34,0 |
| 36,0 | 51,2 | 69,4 | 9 300 * | 53,8 | 70,6 | 9 500 | 55,7 | 71,4 | 9 100 | 36,0 |
| 38,0 | 48,3 | 67,7 | 8 700 * | 51,0 | 69,1 | 8 800 | 53,0 | 69,9 | 8 400 | 38,0 |
| 40,0 | 45,2 | 65,8 | 8 100 * | 48,1 | 67,4 | 8 100 | 50,1 | 68,3 | 7 700 | 40,0 |
| 42,0 | 42,0 | 63,7 | 7 600 * | 45,0 | 65,5 | 7 600 | 47,2 | 66,6 | 7 200 | 42,0 |
| 44,0 | 38,6 | 61,4 | 7 000 * | 41,8 | 63,4 | 7 000 | 44,1 | 64,6 | 6 700 | 44,0 |
| 46,0 | 34,9 | 58,7 | 6 600 * | 38,4 | 61,0 | 6 600 | 40,8 | 62,4 | 6 200 | 46,0 |
| 48,0 | 30,9 | 55,6 | 6 100 * | 34,7 | 58,3 | 6 100 | 37,3 | 60,0 | 5 800 | 48,0 |
| 50,0 | 26,2 | 51,9 | 5 500 * | 30,6 | 55,2 | 5 700 | 33,5 | 57,2 | 5 400 | 50,0 |
| 52,0 | 20,7 | 47,3 | 5 000 * | 25,9 | 51,4 | 5 300 | 29,2 | 53,9 | 5 000 | 52,0 |
| 54,0 | 13,0 | 40,7 | 4 500 * | 20,3 | 46,8 | 5 000 | 24,3 | 49,9 | 4 700 | 54,0 |
| 56,0 | | | | 12,4 | 39,9 | 4 500 * | 18,2 | 44,8 | 4 400 | 56,0 |
| 58,0 | | | | | | | | | | 58,0 |
| 60,0 | | | | | | | | | | 60,0 |
| 62,0 | | | | | | | | | | 62,0 |

MLC165 S-1

ASME B30.5



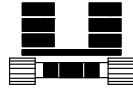
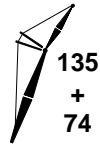
45 130 kg
+
0 kg



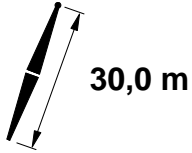
| m | 75° | | | 70° | | | m |
|------|------|------|-------|------|------|-------|------|
| | m | m | kg | m | m | kg | |
| 18,3 | | | | | | | 18,3 |
| 20,0 | | | | | | | 20,0 |
| 22,0 | | | | | | | 22,0 |
| 24,0 | | | | | | | 24,0 |
| 26,0 | | | | | | | 26,0 |
| 28,0 | | | | | | | 28,0 |
| 30,0 | | | | | | | 30,0 |
| 32,0 | | | | | | | 32,0 |
| 34,0 | 61,2 | 73,4 | 9 100 | | | | 34,0 |
| 36,0 | 58,7 | 72,3 | 8 300 | | | | 36,0 |
| 38,0 | 56,1 | 71,0 | 7 600 | | | | 38,0 |
| 40,0 | 53,4 | 69,6 | 7 100 | 56,4 | 70,4 | 6 400 | 40,0 |
| 42,0 | 50,5 | 68,0 | 6 500 | 53,7 | 69,0 | 5 900 | 42,0 |
| 44,0 | 47,6 | 66,3 | 6 100 | 50,9 | 67,4 | 5 500 | 44,0 |
| 46,0 | 44,5 | 64,3 | 5 600 | 48,0 | 65,7 | 5 100 | 46,0 |
| 48,0 | 41,3 | 62,2 | 5 200 | 44,9 | 63,8 | 4 700 | 48,0 |
| 50,0 | 37,8 | 59,8 | 4 900 | 41,7 | 61,7 | 4 400 | 50,0 |
| 52,0 | 34,1 | 57,0 | 4 500 | 38,2 | 59,3 | 4 100 | 52,0 |
| 54,0 | 29,9 | 53,8 | 4 200 | 34,5 | 56,6 | 3 800 | 54,0 |
| 56,0 | 25,1 | 50,0 | 3 900 | 30,4 | 53,4 | 3 500 | 56,0 |
| 58,0 | 19,2 | 45,0 | 3 600 | 25,7 | 49,7 | 3 200 | 58,0 |
| 60,0 | | | | 20,0 | 44,9 | 3 000 | 60,0 |
| 62,0 | | | | 11,9 | 37,9 | 2 700 | 62,0 |

MLC165 S-1

ASME B30.5



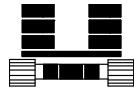
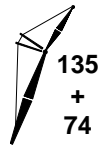
45 130 kg
+
0 kg



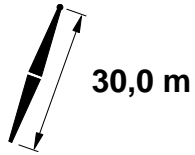
| | 87° | | | 83° | | | 80° | | | |
|------|------|------|-----------|------|------|----------|------|------|----------|------|
| | m | m | kg | m | m | kg | m | m | kg | |
| 9,8 | 73,4 | 52,5 | 46 200 *d | | | | | | | 9,8 |
| 10,0 | 72,8 | 52,4 | 46 200 *d | | | | | | | 10,0 |
| 12,0 | 67,0 | 51,6 | 45 400 c | | | | | | | 12,0 |
| 14,0 | 61,1 | 50,7 | 37 400 c | 67,3 | 51,5 | 35 700 c | | | | 14,0 |
| 16,0 | 54,7 | 49,4 | 31 300 b | 61,3 | 50,5 | 29 800 b | | | | 16,0 |
| 18,0 | 47,8 | 47,8 | 26 900 b | 55,0 | 49,2 | 25 600 b | 59,9 | 50,0 | 24 600 b | 18,0 |
| 20,0 | 40,1 | 45,7 | 23 500 b | 48,1 | 47,7 | 22 300 | 53,5 | 48,7 | 21 500 b | 20,0 |
| 22,0 | 30,8 | 42,9 | 20 700 | 40,4 | 45,6 | 19 700 | 46,5 | 47,0 | 19 000 | 22,0 |
| 24,0 | 17,7 | 38,5 | 18 500 | 31,2 | 42,8 | 17 600 | 38,5 | 44,8 | 16 900 | 24,0 |
| 26,0 | | | | | | | 28,8 | 41,8 | 15 200 | 26,0 |
| 28,0 | | | | | | | | | | 28,0 |
| 30,0 | | | | | | | | | | 30,0 |
| 32,0 | | | | | | | | | | 32,0 |
| 34,0 | | | | | | | | | | 34,0 |

MLC165 S-1

ASME B30.5



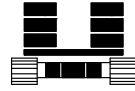
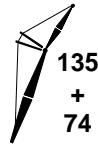
45 130 kg
+
0 kg



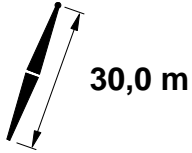
| | 75° | | | 70° | | | 65° | | | |
|------|------|------|-----------------|------|------|--------|------|------|--------|------|
| | m | m | kg | m | m | kg | m | m | kg | |
| 9,8 | | | | | | | | | | 9,8 |
| 10,0 | | | | | | | | | | 10,0 |
| 12,0 | | | | | | | | | | 12,0 |
| 14,0 | | | | | | | | | | 14,0 |
| 16,0 | | | | | | | | | | 16,0 |
| 18,0 | | | | | | | | | | 18,0 |
| 20,0 | 61,6 | 49,6 | 20 000 b | | | | | | | 20,0 |
| 22,0 | 55,3 | 48,4 | 17 700 b | | | | | | | 22,0 |
| 24,0 | 48,4 | 46,8 | 15 800 | | | | | | | 24,0 |
| 26,0 | 40,8 | 44,8 | 14 200 | 50,1 | 46,4 | 13 200 | | | | 26,0 |
| 28,0 | 31,7 | 42,1 | 12 900 | 42,7 | 44,5 | 11 900 | | | | 28,0 |
| 30,0 | 19,1 | 37,9 | 11 700 | 34,0 | 42,0 | 10 800 | 44,2 | 43,9 | 10 000 | 30,0 |
| 32,0 | | | | 22,7 | 38,3 | 9 900 | 35,9 | 41,5 | 9 100 | 32,0 |
| 34,0 | | | | | | | 25,3 | 38,1 | 8 300 | 34,0 |




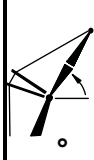
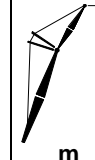



MLC165 S-1

ASME B30.5



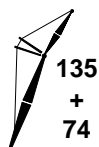
45 130 kg
+
0 kg



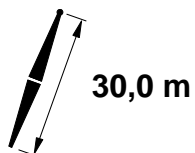
| | 87° | | | 83° | | | 80° | | | |
|------|---|---|--|---|--|--|--|---|------|--|
| |  m |  m |  kg |  m |  kg |  m |  kg |  m | | |
| 10,4 | 74,1 | 55,5 | 42 300 *d | | | | | | 10,4 | |
| 12,0 | 70,0 | 54,9 | 42 300 *c | | | | | | 12,0 | |
| 14,0 | 64,9 | 54,1 | 37 500 c | 70,2 | 54,7 | 35 500 c | | | 14,0 | |
| 16,0 | 59,6 | 53,0 | 31 200 b | 65,2 | 53,9 | 29 700 b | | | 16,0 | |
| 18,0 | 54,0 | 51,7 | 26 800 b | 59,9 | 52,9 | 25 500 b | 64,0 | 53,4 | 18,0 | |
| 20,0 | 48,0 | 50,1 | 23 400 b | 54,3 | 51,6 | 22 200 | 58,6 | 52,3 | 20,0 | |
| 22,0 | 41,3 | 48,1 | 20 700 | 48,2 | 50,0 | 19 600 | 52,9 | 51,0 | 22,0 | |
| 24,0 | 33,5 | 45,5 | 18 500 | 41,6 | 47,9 | 17 500 | 46,8 | 49,3 | 24,0 | |
| 26,0 | 23,7 | 41,8 | 16 600 | 33,9 | 45,4 | 15 800 | 39,9 | 47,2 | 26,0 | |
| 28,0 | | | | 24,2 | 41,8 | 14 300 | 31,9 | 44,4 | 28,0 | |
| 30,0 | | | | | | | 21,4 | 40,4 | 30,0 | |
| 32,0 | | | | | | | | | 32,0 | |
| 34,0 | | | | | | | | | 34,0 | |
| 36,0 | | | | | | | | | 36,0 | |
| 38,0 | | | | | | | | | 38,0 | |

MLC165 S-1

ASME B30.5



45 130 kg
+
0 kg

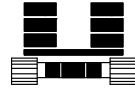
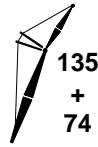


| | 75° | | | 70° | | | 65° | | | |
|------|------|------|-----------------|------|------|--------|------|------|-------|------|
| | m | m | kg | m | m | kg | m | m | kg | |
| 10,4 | | | | | | | | | | 10,4 |
| 12,0 | | | | | | | | | | 12,0 |
| 14,0 | | | | | | | | | | 14,0 |
| 16,0 | | | | | | | | | | 16,0 |
| 18,0 | | | | | | | | | | 18,0 |
| 20,0 | | | | | | | | | | 20,0 |
| 22,0 | 60,1 | 52,0 | 17 500 b | | | | | | | 22,0 |
| 24,0 | 54,5 | 50,7 | 15 600 | | | | | | | 24,0 |
| 26,0 | 48,5 | 49,1 | 14 100 | 55,9 | 50,2 | 13 000 | | | | 26,0 |
| 28,0 | 41,9 | 47,2 | 12 700 | 50,0 | 48,7 | 11 800 | | | | 28,0 |
| 30,0 | 34,2 | 44,6 | 11 600 | 43,5 | 46,8 | 10 700 | | | | 30,0 |
| 32,0 | 24,7 | 41,1 | 10 600 | 36,2 | 44,4 | 9 800 | 44,9 | 46,2 | 9 000 | 32,0 |
| 34,0 | | | | 27,2 | 41,2 | 9 000 | 37,7 | 43,9 | 8 200 | 34,0 |
| 36,0 | | | | 13,8 | 35,9 | 8 200 | 29,2 | 40,9 | 7 500 | 36,0 |
| 38,0 | | | | | | | 17,3 | 36,2 | 6 900 | 38,0 |

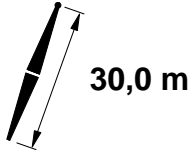
REFERENCE ONLY









MLC165 S-1

ASME B30.5



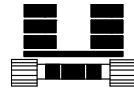
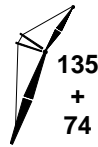
45 130 kg
+
0 kg



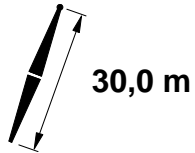
| | 87° | | | 83° | | | 80° | | | |
|------|---|---|--|---|--|--|--|---|----------|------|
| |  m |  m |  kg |  m |  kg |  m |  kg |  m | | |
| 11,0 | 74,6 | 58,5 | 38 400 *d | | | | | | 11,0 | |
| 12,0 | 72,3 | 58,1 | 38 300 *c | | | | | | 12,0 | |
| 14,0 | 67,9 | 57,4 | 37 200 *c | | | | | | 14,0 | |
| 16,0 | 63,3 | 56,5 | 31 200 c | 68,1 | 57,2 | 29 700 b | | | 16,0 | |
| 18,0 | 58,5 | 55,4 | 26 700 b | 63,5 | 56,3 | 25 400 b | | | 18,0 | |
| 20,0 | 53,5 | 54,0 | 23 300 b | 58,7 | 55,2 | 22 100 | 62,4 | 55,8 | 21 200 b | 20,0 |
| 22,0 | 48,1 | 52,4 | 20 600 | 53,7 | 53,9 | 19 600 | 57,6 | 54,7 | 18 700 | 22,0 |
| 24,0 | 42,2 | 50,4 | 18 400 | 48,3 | 52,3 | 17 400 | 52,5 | 53,3 | 16 700 | 24,0 |
| 26,0 | 35,5 | 47,9 | 16 600 | 42,4 | 50,3 | 15 700 | 47,0 | 51,6 | 15 100 | 26,0 |
| 28,0 | 27,5 | 44,7 | 15 000 | 35,8 | 47,8 | 14 300 | 41,0 | 49,5 | 13 600 | 28,0 |
| 30,0 | 16,3 | 39,7 | 13 700 | 27,9 | 44,6 | 13 000 | 34,2 | 46,9 | 12 500 | 30,0 |
| 32,0 | | | | 16,9 | 39,8 | 11 900 | 25,8 | 43,4 | 11 400 | 32,0 |
| 34,0 | | | | | | | | | | 34,0 |
| 36,0 | | | | | | | | | | 36,0 |
| 38,0 | | | | | | | | | | 38,0 |
| 40,0 | | | | | | | | | | 40,0 |


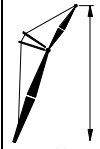


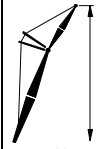


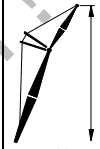

MLC165 S-1

ASME B30.5



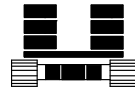
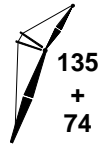
45 130 kg
+
0 kg



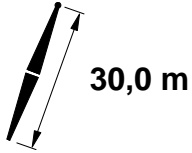
| | 75° | | | 70° | | | 65° | | | |
|------|---|---|---|---|---|---|---|---|---|------|
| |  |  |  |  |  |  |  |  |  | |
| | m | m | kg | m | m | kg | m | m | kg | m |
| 11,0 | | | | | | | | | | 11,0 |
| 12,0 | | | | | | | | | | 12,0 |
| 14,0 | | | | | | | | | | 14,0 |
| 16,0 | | | | | | | | | | 16,0 |
| 18,0 | | | | | | | | | | 18,0 |
| 20,0 | | | | | | | | | | 20,0 |
| 22,0 | | | | | | | | | | 22,0 |
| 24,0 | 58,9 | 54,4 | 15 500 | | | | | | | 24,0 |
| 26,0 | 53,9 | 53,1 | 14 000 | | | | | | | 26,0 |
| 28,0 | 48,6 | 51,4 | 12 700 | 55,1 | 52,5 | 11 700 | | | | 28,0 |
| 30,0 | 42,7 | 49,5 | 11 500 | 49,9 | 51,0 | 10 600 | | | | 30,0 |
| 32,0 | 36,1 | 47,1 | 10 500 | 44,2 | 49,1 | 9 700 | 50,9 | 50,3 | 8 900 | 32,0 |
| 34,0 | 28,3 | 43,9 | 9 700 | 37,8 | 46,8 | 8 900 | 45,3 | 48,5 | 8 100 | 34,0 |
| 36,0 | 17,5 | 39,2 | 8 900 | 30,3 | 43,9 | 8 200 | 39,1 | 46,3 | 7 500 | 36,0 |
| 38,0 | | | | 20,6 | 39,7 | 7 600 | 31,9 | 43,5 | 6 900 | 38,0 |
| 40,0 | | | | | | | 22,8 | 39,6 | 6 300 | 40,0 |




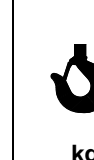

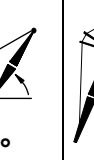




MLC165 S-1

ASME B30.5



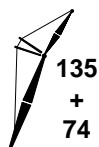
45 130 kg
+
0 kg



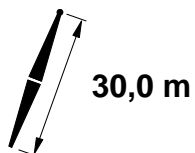
| | 87° | | | 83° | | | 80° | | | | |
|------|---|---|---|--|---|--|---|--|--|--|--|
| |  m |  m |  m |  kg |  m |  kg |  m |  kg |  m | |  kg |
| 11,6 | 75,0 | 61,4 | 34 800 *d | | | | | | | | 11,6 |
| 12,0 | 74,1 | 61,3 | 34 800 *c | | | | | | | | 12,0 |
| 14,0 | 70,2 | 60,7 | 34 100 *c | | | | | | | | 14,0 |
| 16,0 | 66,1 | 59,9 | 31 300 *c | | | | | | | | 16,0 |
| 18,0 | 62,0 | 58,9 | 26 600 b | 66,3 | 59,7 | 25 300 b | | | | | 18,0 |
| 20,0 | 57,6 | 57,7 | 23 200 b | 62,1 | 58,7 | 22 000 | 65,4 | 59,2 | 21 100 b | | 20,0 |
| 22,0 | 53,0 | 56,4 | 20 500 | 57,8 | 57,6 | 19 400 | 61,2 | 58,2 | 18 600 | | 22,0 |
| 24,0 | 48,2 | 54,7 | 18 300 | 53,2 | 56,2 | 17 300 | 56,8 | 57,0 | 16 600 | | 24,0 |
| 26,0 | 42,9 | 52,8 | 16 500 | 48,4 | 54,6 | 15 600 | 52,2 | 55,6 | 14 900 | | 26,0 |
| 28,0 | 37,1 | 50,4 | 15 000 | 43,1 | 52,6 | 14 200 | 47,2 | 53,9 | 13 500 | | 28,0 |
| 30,0 | 30,3 | 47,4 | 13 700 | 37,3 | 50,2 | 12 900 | 41,9 | 51,8 | 12 300 | | 30,0 |
| 32,0 | 21,7 | 43,3 | 12 500 | 30,6 | 47,3 | 11 800 | 35,9 | 49,4 | 11 300 | | 32,0 |
| 34,0 | | | | 22,1 | 43,2 | 10 800 | 28,8 | 46,2 | 10 400 | | 34,0 |
| 36,0 | | | | | | | 19,7 | 41,8 | 9 600 | | 36,0 |
| 38,0 | | | | | | | | | | | 38,0 |
| 40,0 | | | | | | | | | | | 40,0 |
| 42,0 | | | | | | | | | | | 42,0 |
| 44,0 | | | | | | | | | | | 44,0 |

MLC165 S-1

ASME B30.5



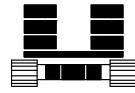
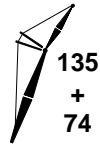
45 130 kg
+
0 kg



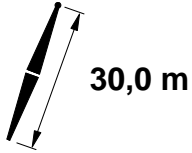
| | 75° | | | 70° | | | 65° | | | |
|------|------|------|--------|------|------|--------|------|------|-------|------|
| | | | | | | | | | | |
| m | m | m | kg | m | m | kg | m | m | kg | m |
| 11,6 | | | | | | | | | | 11,6 |
| 12,0 | | | | | | | | | | 12,0 |
| 14,0 | | | | | | | | | | 14,0 |
| 16,0 | | | | | | | | | | 16,0 |
| 18,0 | | | | | | | | | | 18,0 |
| 20,0 | | | | | | | | | | 20,0 |
| 22,0 | | | | | | | | | | 22,0 |
| 24,0 | | | | | | | | | | 24,0 |
| 26,0 | 58,0 | 56,7 | 13 800 | | | | | | | 26,0 |
| 28,0 | 53,4 | 55,4 | 12 500 | | | | | | | 28,0 |
| 30,0 | 48,6 | 53,7 | 11 400 | 54,5 | 54,9 | 10 400 | | | | 30,0 |
| 32,0 | 43,4 | 51,8 | 10 400 | 49,8 | 53,3 | 9 500 | | | | 32,0 |
| 34,0 | 37,6 | 49,5 | 9 600 | 44,7 | 51,5 | 8 800 | 50,8 | 52,6 | 8 000 | 34,0 |
| 36,0 | 30,9 | 46,5 | 8 800 | 39,0 | 49,2 | 8 000 | 45,7 | 50,8 | 7 300 | 36,0 |
| 38,0 | 22,5 | 42,6 | 8 100 | 32,6 | 46,5 | 7 400 | 40,2 | 48,6 | 6 700 | 38,0 |
| 40,0 | | | | 24,8 | 42,8 | 6 800 | 34,0 | 46,0 | 6 200 | 40,0 |
| 42,0 | | | | 13,2 | 37,0 | 6 300 | 26,5 | 42,6 | 5 700 | 42,0 |
| 44,0 | | | | | | | 16,1 | 37,4 | 5 300 | 44,0 |




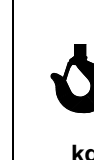

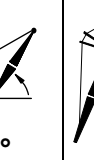




MLC165 S-1

ASME B30.5



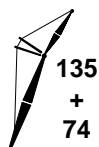
45 130 kg
+
0 kg



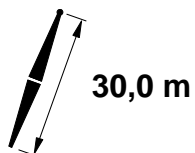
| | 87° | | | 83° | | | 80° | | | | |
|------|---|---|---|--|---|--|---|--|--|--|--|
| |  m |  m |  m |  kg |  m |  kg |  m |  kg |  m | |  kg |
| 13,7 | 72,6 | 64,0 | 31 700 *c | | | | | | | | 13,7 |
| 14,0 | 72,1 | 63,9 | 31 500 *c | | | | | | | | 14,0 |
| 16,0 | 68,4 | 63,2 | 30 000 *c | | | | | | | | 16,0 |
| 18,0 | 64,7 | 62,3 | 26 700 b | 68,6 | 63,0 | 25 200 b | | | | | 18,0 |
| 20,0 | 60,9 | 61,3 | 23 200 b | 64,9 | 62,1 | 21 900 | | | | | 20,0 |
| 22,0 | 56,9 | 60,1 | 20 500 | 61,0 | 61,1 | 19 400 | 64,0 | 61,6 | 18 600 | | 22,0 |
| 24,0 | 52,7 | 58,7 | 18 300 | 57,0 | 59,9 | 17 300 | 60,1 | 60,6 | 16 600 | | 24,0 |
| 26,0 | 48,2 | 57,0 | 16 500 | 52,9 | 58,5 | 15 600 | 56,1 | 59,3 | 14 900 | | 26,0 |
| 28,0 | 43,5 | 55,1 | 15 000 | 48,4 | 56,9 | 14 100 | 51,9 | 57,9 | 13 500 | | 28,0 |
| 30,0 | 38,3 | 52,8 | 13 700 | 43,7 | 54,9 | 12 900 | 47,4 | 56,2 | 12 300 | | 30,0 |
| 32,0 | 32,3 | 49,9 | 12 500 | 38,5 | 52,6 | 11 800 | 42,6 | 54,2 | 11 300 | | 32,0 |
| 34,0 | 25,2 | 46,3 | 11 500 | 32,6 | 49,8 | 10 900 | 37,2 | 51,8 | 10 400 | | 34,0 |
| 36,0 | 15,4 | 40,9 | 10 600 | 25,6 | 46,2 | 10 000 | 31,1 | 48,8 | 9 600 | | 36,0 |
| 38,0 | | | | 15,9 | 41,0 | 9 300 | 23,7 | 45,0 | 8 800 | | 38,0 |
| 40,0 | | | | | | | | | | | 40,0 |
| 42,0 | | | | | | | | | | | 42,0 |
| 44,0 | | | | | | | | | | | 44,0 |
| 46,0 | | | | | | | | | | | 46,0 |

MLC165 S-1

ASME B30.5



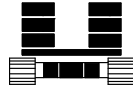
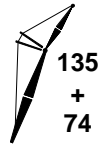
45 130 kg
+
0 kg



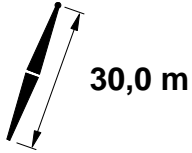
| | 75° | | | 70° | | | 65° | | | |
|------|------|------|--------|------|------|-------|------|------|-------|------|
| | | | | | | | | | | |
| | m | m | kg | m | m | kg | m | m | kg | m |
| 13,7 | | | | | | | | | | 13,7 |
| 14,0 | | | | | | | | | | 14,0 |
| 16,0 | | | | | | | | | | 16,0 |
| 18,0 | | | | | | | | | | 18,0 |
| 20,0 | | | | | | | | | | 20,0 |
| 22,0 | | | | | | | | | | 22,0 |
| 24,0 | | | | | | | | | | 24,0 |
| 26,0 | 61,2 | 60,3 | 13 800 | | | | | | | 26,0 |
| 28,0 | 57,2 | 59,1 | 12 500 | | | | | | | 28,0 |
| 30,0 | 53,0 | 57,7 | 11 400 | | | | | | | 30,0 |
| 32,0 | 48,6 | 56,0 | 10 400 | 54,1 | 57,2 | 9 500 | | | | 32,0 |
| 34,0 | 43,9 | 54,1 | 9 600 | 49,7 | 55,6 | 8 700 | | | | 34,0 |
| 36,0 | 38,7 | 51,9 | 8 800 | 45,1 | 53,8 | 8 000 | 50,6 | 54,9 | 7 300 | 36,0 |
| 38,0 | 32,9 | 49,1 | 8 100 | 40,0 | 51,6 | 7 400 | 46,0 | 53,1 | 6 700 | 38,0 |
| 40,0 | 25,9 | 45,5 | 7 500 | 34,4 | 49,0 | 6 900 | 41,1 | 51,0 | 6 200 | 40,0 |
| 42,0 | 16,4 | 40,4 | 7 000 | 27,7 | 45,6 | 6 400 | 35,5 | 48,5 | 5 700 | 42,0 |
| 44,0 | | | | 19,1 | 41,0 | 5 900 | 29,1 | 45,3 | 5 300 | 44,0 |
| 46,0 | | | | | | | 21,1 | 41,0 | 4 900 | 46,0 |

MLC165 S-1

ASME B30.5



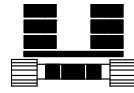
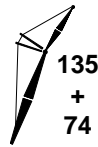
45 130 kg
+
0 kg



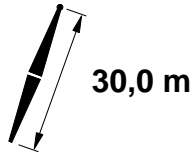
| | 87° | | | 83° | | | 80° | | | |
|------|------|------|-----------|------|------|--------|------|------|--------|------|
| | m | m | kg | m | m | kg | m | m | kg | |
| 13,7 | 74,1 | 67,2 | 29 000 *c | | | | | | | 13,7 |
| 14,0 | 73,6 | 67,1 | 28 900 *c | | | | | | | 14,0 |
| 16,0 | 70,3 | 66,4 | 27 900 *c | | | | | | | 16,0 |
| 18,0 | 66,9 | 65,7 | 26 200 b | | | | | | | 18,0 |
| 20,0 | 63,5 | 64,7 | 23 100 b | 67,1 | 65,5 | 21 800 | | | | 20,0 |
| 22,0 | 59,9 | 63,7 | 20 400 | 63,6 | 64,5 | 19 300 | 66,3 | 65,0 | 18 500 | 22,0 |
| 24,0 | 56,2 | 62,4 | 18 200 | 60,1 | 63,5 | 17 200 | 62,8 | 64,0 | 16 400 | 24,0 |
| 26,0 | 52,4 | 61,0 | 16 400 | 56,4 | 62,2 | 15 400 | 59,3 | 62,9 | 14 800 | 26,0 |
| 28,0 | 48,3 | 59,3 | 14 900 | 52,5 | 60,8 | 14 000 | 55,5 | 61,7 | 13 400 | 28,0 |
| 30,0 | 44,0 | 57,4 | 13 500 | 48,5 | 59,2 | 12 700 | 51,6 | 60,2 | 12 200 | 30,0 |
| 32,0 | 39,2 | 55,1 | 12 400 | 44,1 | 57,2 | 11 700 | 47,5 | 58,5 | 11 200 | 32,0 |
| 34,0 | 34,0 | 52,5 | 11 400 | 39,4 | 55,0 | 10 800 | 43,1 | 56,5 | 10 200 | 34,0 |
| 36,0 | 27,9 | 49,1 | 10 600 | 34,2 | 52,3 | 9 900 | 38,3 | 54,2 | 9 400 | 36,0 |
| 38,0 | 20,2 | 44,6 | 9 800 | 28,2 | 49,0 | 9 200 | 32,9 | 51,4 | 8 700 | 38,0 |
| 40,0 | | | | 20,6 | 44,6 | 8 500 | 26,6 | 47,9 | 8 100 | 40,0 |
| 42,0 | | | | | | | 18,4 | 43,1 | 7 500 | 42,0 |
| 44,0 | | | | | | | | | | 44,0 |
| 46,0 | | | | | | | | | | 46,0 |
| 48,0 | | | | | | | | | | 48,0 |
| 50,0 | | | | | | | | | | 50,0 |

MLC165 S-1

ASME B30.5



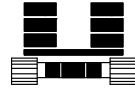
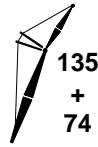
45 130 kg
+
0 kg



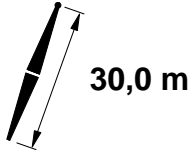
| | 75° | | | 70° | | | 65° | | | |
|------|------|------|--------|------|------|-------|------|------|-------|------|
| | | | | | | | | | | |
| | m | m | kg | m | m | kg | m | m | kg | m |
| 13,7 | | | | | | | | | | 13,7 |
| 14,0 | | | | | | | | | | 14,0 |
| 16,0 | | | | | | | | | | 16,0 |
| 18,0 | | | | | | | | | | 18,0 |
| 20,0 | | | | | | | | | | 20,0 |
| 22,0 | | | | | | | | | | 22,0 |
| 24,0 | | | | | | | | | | 24,0 |
| 26,0 | | | | | | | | | | 26,0 |
| 28,0 | 60,2 | 62,6 | 12 300 | | | | | | | 28,0 |
| 30,0 | 56,6 | 61,4 | 11 200 | | | | | | | 30,0 |
| 32,0 | 52,7 | 60,0 | 10 200 | 57,5 | 60,9 | 9 300 | | | | 32,0 |
| 34,0 | 48,7 | 58,3 | 9 400 | 53,7 | 59,5 | 8 600 | | | | 34,0 |
| 36,0 | 44,3 | 56,4 | 8 600 | 49,7 | 57,9 | 7 900 | | | | 36,0 |
| 38,0 | 39,7 | 54,2 | 8 000 | 45,4 | 56,1 | 7 200 | | | | 38,0 |
| 40,0 | 34,5 | 51,6 | 7 400 | 40,8 | 53,9 | 6 700 | 46,3 | 55,4 | 6 000 | 40,0 |
| 42,0 | 28,5 | 48,3 | 6 900 | 35,8 | 51,4 | 6 200 | 41,8 | 53,3 | 5 600 | 42,0 |
| 44,0 | 21,0 | 44,0 | 6 400 | 30,0 | 48,3 | 5 800 | 36,8 | 50,9 | 5 200 | 44,0 |
| 46,0 | | | | 23,0 | 44,3 | 5 300 | 31,2 | 47,9 | 4 800 | 46,0 |
| 48,0 | | | | 12,7 | 38,1 | 4 900 | 24,5 | 44,1 | 4 400 | 48,0 |
| 50,0 | | | | | | | 15,3 | 38,6 | 4 100 | 50,0 |

MLC165 S-1

ASME B30.5



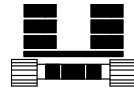
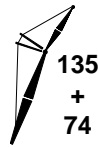
45 130 kg
+
0 kg



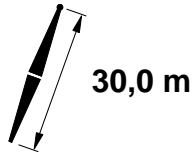
| m | 87° | | | 83° | | | 80° | | | m |
|------|------|------|-----------|------|------|----------|------|------|--------|------|
| | m | m | kg | m | m | kg | m | m | kg | |
| 15,2 | 73,0 | 69,9 | 22 000 *c | | | | | | | 15,2 |
| 16,0 | 71,9 | 69,7 | 21 800 *c | | | | | | | 16,0 |
| 18,0 | 68,8 | 68,9 | 21 300 *b | | | | | | | 18,0 |
| 20,0 | 65,7 | 68,1 | 20 800 *b | 68,9 | 68,7 | 21 300 * | | | | 20,0 |
| 22,0 | 62,5 | 67,1 | 20 100 * | 65,8 | 67,9 | 19 200 | | | | 22,0 |
| 24,0 | 59,1 | 66,0 | 18 200 | 62,6 | 66,9 | 17 100 | 65,1 | 67,4 | 16 300 | 24,0 |
| 26,0 | 55,7 | 64,7 | 16 300 | 59,3 | 65,8 | 15 300 | 61,8 | 66,4 | 14 700 | 26,0 |
| 28,0 | 52,1 | 63,3 | 14 800 | 55,8 | 64,6 | 13 900 | 58,5 | 65,3 | 13 300 | 28,0 |
| 30,0 | 48,4 | 61,6 | 13 500 | 52,3 | 63,1 | 12 700 | 55,1 | 64,0 | 12 000 | 30,0 |
| 32,0 | 44,4 | 59,7 | 12 300 | 48,5 | 61,5 | 11 600 | 51,4 | 62,5 | 11 100 | 32,0 |
| 34,0 | 40,1 | 57,5 | 11 300 | 44,5 | 59,6 | 10 700 | 47,6 | 60,8 | 10 100 | 34,0 |
| 36,0 | 35,3 | 54,9 | 10 500 | 40,2 | 57,4 | 9 800 | 43,6 | 58,8 | 9 400 | 36,0 |
| 38,0 | 30,0 | 51,8 | 9 700 | 35,5 | 54,8 | 9 100 | 39,2 | 56,6 | 8 600 | 38,0 |
| 40,0 | 23,5 | 47,8 | 9 000 | 30,2 | 51,7 | 8 500 | 34,4 | 53,9 | 8 000 | 40,0 |
| 42,0 | 14,7 | 42,1 | 8 400 | 23,8 | 47,8 | 7 900 | 28,9 | 50,6 | 7 400 | 42,0 |
| 44,0 | | | | 15,2 | 42,1 | 7 300 | 22,2 | 46,5 | 6 900 | 44,0 |
| 46,0 | | | | | | | | | | 46,0 |
| 48,0 | | | | | | | | | | 48,0 |
| 50,0 | | | | | | | | | | 50,0 |
| 52,0 | | | | | | | | | | 52,0 |

MLC165 S-1

ASME B30.5



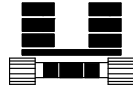
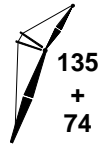
45 130 kg
+
0 kg



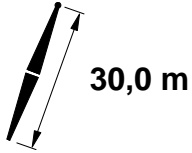
| m | 75° | | | 70° | | | 65° | | | m |
|------|------|------|--------|------|------|-------|------|------|-------|------|
| | m | m | kg | m | m | kg | m | m | kg | |
| 15,2 | | | | | | | | | | 15,2 |
| 16,0 | | | | | | | | | | 16,0 |
| 18,0 | | | | | | | | | | 18,0 |
| 20,0 | | | | | | | | | | 20,0 |
| 22,0 | | | | | | | | | | 22,0 |
| 24,0 | | | | | | | | | | 24,0 |
| 26,0 | | | | | | | | | | 26,0 |
| 28,0 | | | | | | | | | | 28,0 |
| 30,0 | 59,4 | 65,0 | 11 100 | | | | | | | 30,0 |
| 32,0 | 56,0 | 63,7 | 10 100 | | | | | | | 32,0 |
| 34,0 | 52,4 | 62,3 | 9 300 | 56,8 | 63,2 | 8 400 | | | | 34,0 |
| 36,0 | 48,7 | 60,6 | 8 500 | 53,3 | 61,8 | 7 800 | | | | 36,0 |
| 38,0 | 44,7 | 58,8 | 7 900 | 49,6 | 60,2 | 7 100 | | | | 38,0 |
| 40,0 | 40,4 | 56,6 | 7 300 | 45,7 | 58,4 | 6 600 | 50,4 | 59,5 | 5 900 | 40,0 |
| 42,0 | 35,8 | 54,0 | 6 800 | 41,5 | 56,3 | 6 100 | 46,5 | 57,7 | 5 500 | 42,0 |
| 44,0 | 30,5 | 51,0 | 6 300 | 36,9 | 53,8 | 5 700 | 42,4 | 55,7 | 5 100 | 44,0 |
| 46,0 | 24,2 | 47,1 | 5 800 | 31,8 | 50,9 | 5 200 | 37,9 | 53,3 | 4 700 | 46,0 |
| 48,0 | 15,6 | 41,6 | 5 400 | 25,8 | 47,3 | 4 900 | 32,9 | 50,5 | 4 300 | 48,0 |
| 50,0 | | | | 18,0 | 42,3 | 4 500 | 27,1 | 47,0 | 4 000 | 50,0 |
| 52,0 | | | | | | | 19,8 | 42,4 | 3 700 | 52,0 |




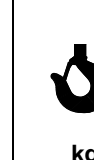

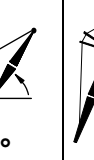



MLC165 S-1

ASME B30.5



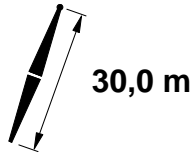
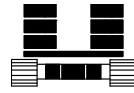
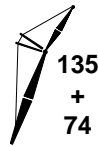
45 130 kg
+
0 kg



| | 87° | | | 83° | | | 80° | | | |
|------|---|---|---|--|---|--|---|--|--|------|
| |  m |  m |  m |  kg |  m |  kg |  m |  kg |  m | |
| 15,2 | 74,3 | 73,1 | 20 600 *c | | | | | | | 15,2 |
| 16,0 | 73,2 | 72,9 | 20 400 *c | | | | | | | 16,0 |
| 18,0 | 70,4 | 72,2 | 20 000 *b | | | | | | | 18,0 |
| 20,0 | 67,5 | 71,4 | 19 500 *b | 70,5 | 72,0 | 20 000 * | | | | 20,0 |
| 22,0 | 64,6 | 70,5 | 18 900 * | 67,6 | 71,2 | 19 300 * | | | | 22,0 |
| 24,0 | 61,6 | 69,5 | 17 800 | 64,7 | 70,3 | 17 000 | | | | 24,0 |
| 26,0 | 58,5 | 68,4 | 16 200 | 61,7 | 69,3 | 15 200 | 64,0 | 69,9 | 14 500 | 26,0 |
| 28,0 | 55,2 | 67,1 | 14 600 | 58,6 | 68,2 | 13 800 | 61,0 | 68,8 | 13 100 | 28,0 |
| 30,0 | 51,9 | 65,6 | 13 300 | 55,4 | 66,9 | 12 500 | 57,9 | 67,6 | 11 900 | 30,0 |
| 32,0 | 48,4 | 63,9 | 12 200 | 52,0 | 65,4 | 11 500 | 54,6 | 66,3 | 10 900 | 32,0 |
| 34,0 | 44,7 | 62,0 | 11 300 | 48,6 | 63,8 | 10 500 | 51,3 | 64,8 | 10 000 | 34,0 |
| 36,0 | 40,8 | 59,9 | 10 400 | 44,9 | 61,9 | 9 700 | 47,7 | 63,1 | 9 200 | 36,0 |
| 38,0 | 36,4 | 57,4 | 9 600 | 40,9 | 59,7 | 9 000 | 44,0 | 61,1 | 8 500 | 38,0 |
| 40,0 | 31,6 | 54,4 | 8 900 | 36,6 | 57,2 | 8 300 | 40,0 | 58,9 | 7 900 | 40,0 |
| 42,0 | 26,1 | 50,8 | 8 300 | 31,9 | 54,3 | 7 700 | 35,6 | 56,3 | 7 300 | 42,0 |
| 44,0 | 19,1 | 46,0 | 7 700 | 26,3 | 50,7 | 7 200 | 30,7 | 53,3 | 6 800 | 44,0 |
| 46,0 | | | | 19,4 | 46,0 | 6 700 | 24,9 | 49,5 | 6 300 | 46,0 |
| 48,0 | | | | | | | 17,5 | 44,3 | 5 900 | 48,0 |
| 50,0 | | | | | | | | | | 50,0 |
| 52,0 | | | | | | | | | | 52,0 |
| 54,0 | | | | | | | | | | 54,0 |
| 56,0 | | | | | | | | | | 56,0 |

MLC165 S-1

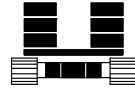
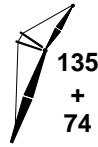
ASME B30.5



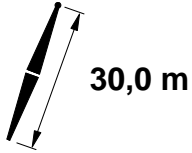
| | 75° | | | 70° | | | 65° | | | |
|------|------|------|--------|------|------|-------|------|------|-------|------|
| | | | | | | | | | | |
| | m | m | kg | m | m | kg | m | m | kg | m |
| 15,2 | | | | | | | | | | 15,2 |
| 16,0 | | | | | | | | | | 16,0 |
| 18,0 | | | | | | | | | | 18,0 |
| 20,0 | | | | | | | | | | 20,0 |
| 22,0 | | | | | | | | | | 22,0 |
| 24,0 | | | | | | | | | | 24,0 |
| 26,0 | | | | | | | | | | 26,0 |
| 28,0 | | | | | | | | | | 28,0 |
| 30,0 | | | | | | | | | | 30,0 |
| 32,0 | 58,7 | 67,3 | 10 000 | | | | | | | 32,0 |
| 34,0 | 55,5 | 66,1 | 9 200 | | | | | | | 34,0 |
| 36,0 | 52,2 | 64,6 | 8 400 | 56,3 | 65,5 | 7 600 | | | | 36,0 |
| 38,0 | 48,7 | 62,9 | 7 700 | 53,0 | 64,1 | 7 000 | | | | 38,0 |
| 40,0 | 45,0 | 61,1 | 7 100 | 49,6 | 62,5 | 6 400 | | | | 40,0 |
| 42,0 | 41,1 | 58,9 | 6 600 | 45,9 | 60,7 | 6 000 | 50,3 | 61,8 | 5 300 | 42,0 |
| 44,0 | 36,8 | 56,5 | 6 200 | 42,1 | 58,6 | 5 500 | 46,7 | 60,0 | 4 900 | 44,0 |
| 46,0 | 32,1 | 53,5 | 5 700 | 37,9 | 56,2 | 5 100 | 42,9 | 58,0 | 4 500 | 46,0 |
| 48,0 | 26,6 | 50,0 | 5 300 | 33,3 | 53,4 | 4 800 | 38,7 | 55,7 | 4 200 | 48,0 |
| 50,0 | 19,8 | 45,3 | 4 900 | 28,0 | 50,1 | 4 400 | 34,2 | 53,0 | 3 800 | 50,0 |
| 52,0 | | | | 21,6 | 45,7 | 4 100 | 29,1 | 49,7 | 3 600 | 52,0 |
| 54,0 | | | | 12,4 | 39,2 | 3 700 | 23,0 | 45,6 | 3 300 | 54,0 |
| 56,0 | | | | | | | 14,7 | 39,8 | 3 000 | 56,0 |

MLC165 S-1

ASME B30.5



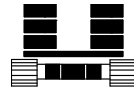
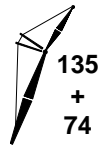
45 130 kg
+
0 kg



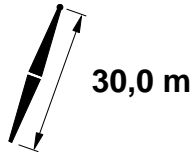
| m | 87° | | | 83° | | | 80° | | | m |
|------|------|------|-----------|------|------|----------|------|------|--------|------|
| | m | m | kg | m | m | kg | m | m | kg | |
| 16,8 | 73,4 | 75,8 | 19 000 *b | | | | | | | 16,8 |
| 18,0 | 71,7 | 75,4 | 18 700 *b | | | | | | | 18,0 |
| 20,0 | 69,1 | 74,7 | 18 300 *b | | | | | | | 20,0 |
| 22,0 | 66,4 | 73,9 | 17 400 * | 69,2 | 74,5 | 18 200 * | | | | 22,0 |
| 24,0 | 63,6 | 73,0 | 16 500 * | 66,5 | 73,7 | 17 000 | | | | 24,0 |
| 26,0 | 60,8 | 71,9 | 15 600 * | 63,7 | 72,8 | 15 200 | 65,9 | 73,2 | 14 400 | 26,0 |
| 28,0 | 57,9 | 70,7 | 14 700 * | 60,9 | 71,7 | 13 700 | 63,1 | 72,3 | 13 100 | 28,0 |
| 30,0 | 54,8 | 69,4 | 13 300 | 58,0 | 70,5 | 12 500 | 60,2 | 71,2 | 11 900 | 30,0 |
| 32,0 | 51,7 | 67,9 | 12 200 | 55,0 | 69,2 | 11 400 | 57,3 | 70,0 | 10 800 | 32,0 |
| 34,0 | 48,4 | 66,2 | 11 200 | 51,8 | 67,7 | 10 500 | 54,3 | 68,6 | 10 000 | 34,0 |
| 36,0 | 45,0 | 64,3 | 10 300 | 48,6 | 66,1 | 9 700 | 51,1 | 67,1 | 9 200 | 36,0 |
| 38,0 | 41,3 | 62,2 | 9 600 | 45,1 | 64,2 | 8 900 | 47,8 | 65,4 | 8 500 | 38,0 |
| 40,0 | 37,4 | 59,8 | 8 900 | 41,5 | 62,1 | 8 300 | 44,3 | 63,5 | 7 900 | 40,0 |
| 42,0 | 33,0 | 56,9 | 8 300 | 37,6 | 59,6 | 7 700 | 40,6 | 61,3 | 7 300 | 42,0 |
| 44,0 | 28,1 | 53,5 | 7 700 | 33,2 | 56,8 | 7 200 | 36,6 | 58,8 | 6 800 | 44,0 |
| 46,0 | 22,2 | 49,3 | 7 200 | 28,3 | 53,5 | 6 700 | 32,2 | 55,9 | 6 300 | 46,0 |
| 48,0 | 14,2 | 43,2 | 6 700 | 22,5 | 49,3 | 6 200 | 27,1 | 52,3 | 5 900 | 48,0 |
| 50,0 | | | | 14,6 | 43,3 | 5 800 | 21,0 | 47,9 | 5 500 | 50,0 |
| 52,0 | | | | | | | | | | 52,0 |
| 54,0 | | | | | | | | | | 54,0 |
| 56,0 | | | | | | | | | | 56,0 |
| 58,0 | | | | | | | | | | 58,0 |

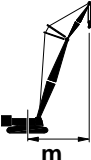

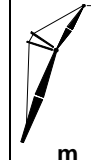
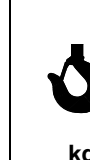
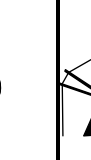




MLC165 S-1

ASME B30.5



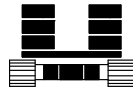
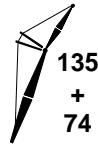
45 130 kg
+
0 kg



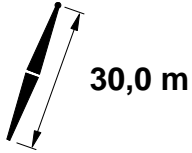
| | 75° | | | 70° | | | 65° | | | |
|------|---|---|--|---|---|--|---|--|--|------|
| |  m |  m |  kg |  m |  m |  kg |  m |  m |  kg | |
| 16,8 | | | | | | | | | | 16,8 |
| 18,0 | | | | | | | | | | 18,0 |
| 20,0 | | | | | | | | | | 20,0 |
| 22,0 | | | | | | | | | | 22,0 |
| 24,0 | | | | | | | | | | 24,0 |
| 26,0 | | | | | | | | | | 26,0 |
| 28,0 | | | | | | | | | | 28,0 |
| 30,0 | | | | | | | | | | 30,0 |
| 32,0 | 61,0 | 70,9 | 9 900 | | | | | | | 32,0 |
| 34,0 | 58,1 | 69,7 | 9 100 | | | | | | | 34,0 |
| 36,0 | 55,1 | 68,4 | 8 400 | | | | | | | 36,0 |
| 38,0 | 52,0 | 66,9 | 7 700 | 55,8 | 67,9 | 6 900 | | | | 38,0 |
| 40,0 | 48,7 | 65,2 | 7 100 | 52,7 | 66,4 | 6 400 | | | | 40,0 |
| 42,0 | 45,3 | 63,4 | 6 600 | 49,5 | 64,8 | 5 900 | | | | 42,0 |
| 44,0 | 41,7 | 61,3 | 6 100 | 46,1 | 63,0 | 5 500 | 50,2 | 64,1 | 4 800 | 44,0 |
| 46,0 | 37,7 | 58,9 | 5 700 | 42,6 | 61,0 | 5 100 | 46,8 | 62,3 | 4 500 | 46,0 |
| 48,0 | 33,4 | 56,1 | 5 300 | 38,7 | 58,6 | 4 700 | 43,3 | 60,3 | 4 100 | 48,0 |
| 50,0 | 28,6 | 52,7 | 4 900 | 34,5 | 55,9 | 4 400 | 39,5 | 58,1 | 3 800 | 50,0 |
| 52,0 | 22,8 | 48,6 | 4 600 | 29,8 | 52,8 | 4 100 | 35,4 | 55,4 | 3 500 | 52,0 |
| 54,0 | 15,0 | 42,7 | 4 200 | 24,3 | 48,8 | 3 800 | 30,8 | 52,4 | 3 300 | 54,0 |
| 56,0 | | | | 17,2 | 43,5 | 3 500 | 25,4 | 48,6 | 3 000 | 56,0 |
| 58,0 | | | | | | | 18,8 | 43,7 | 2 800 | 58,0 |

MLC165 S-1

ASME B30.5



45 130 kg
+
0 kg



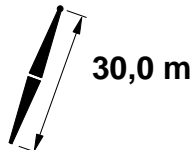
| m | 87° | | | 83° | | | 80° | | | m |
|------|------|------|-----------|------|------|----------|------|------|--------|------|
| | m | m | kg | m | m | kg | m | m | kg | |
| 16,8 | 74,4 | 79,0 | 17 600 *b | | | | | | | 16,8 |
| 18,0 | 72,9 | 78,6 | 17 300 *b | | | | | | | 18,0 |
| 20,0 | 70,4 | 78,0 | 16 800 *b | | | | | | | 20,0 |
| 22,0 | 67,9 | 77,2 | 15 900 * | | | | | | | 22,0 |
| 24,0 | 65,4 | 76,3 | 15 000 * | 68,0 | 77,0 | 15 900 * | | | | 24,0 |
| 26,0 | 62,8 | 75,4 | 14 200 * | 65,5 | 76,1 | 15 000 | 67,5 | 76,5 | 14 300 | 26,0 |
| 28,0 | 60,1 | 74,3 | 13 400 * | 62,9 | 75,2 | 13 600 | 64,9 | 75,7 | 12 900 | 28,0 |
| 30,0 | 57,3 | 73,1 | 12 600 * | 60,2 | 74,1 | 12 400 | 62,3 | 74,7 | 11 700 | 30,0 |
| 32,0 | 54,5 | 71,7 | 11 800 * | 57,4 | 72,9 | 11 300 | 59,6 | 73,6 | 10 700 | 32,0 |
| 34,0 | 51,5 | 70,2 | 11 100 * | 54,6 | 71,5 | 10 400 | 56,8 | 72,3 | 9 800 | 34,0 |
| 36,0 | 48,5 | 68,5 | 10 200 | 51,7 | 70,0 | 9 600 | 54,0 | 70,9 | 9 000 | 36,0 |
| 38,0 | 45,3 | 66,6 | 9 500 | 48,6 | 68,4 | 8 800 | 51,0 | 69,4 | 8 300 | 38,0 |
| 40,0 | 41,9 | 64,5 | 8 800 | 45,4 | 66,5 | 8 200 | 47,9 | 67,7 | 7 700 | 40,0 |
| 42,0 | 38,2 | 62,2 | 8 100 | 42,0 | 64,4 | 7 600 | 44,6 | 65,8 | 7 200 | 42,0 |
| 44,0 | 34,2 | 59,4 | 7 600 | 38,4 | 62,0 | 7 000 | 41,2 | 63,6 | 6 700 | 44,0 |
| 46,0 | 29,8 | 56,2 | 7 100 | 34,4 | 59,3 | 6 600 | 37,5 | 61,2 | 6 200 | 46,0 |
| 48,0 | 24,6 | 52,3 | 6 600 | 30,0 | 56,1 | 6 100 | 33,4 | 58,4 | 5 800 | 48,0 |
| 50,0 | 18,2 | 47,2 | 6 200 | 24,9 | 52,3 | 5 700 | 28,9 | 55,1 | 5 400 | 50,0 |
| 52,0 | | | | 18,5 | 47,3 | 5 300 | 23,6 | 51,0 | 5 000 | 52,0 |
| 54,0 | | | | | | | 16,8 | 45,6 | 4 700 | 54,0 |
| 56,0 | | | | | | | | | | 56,0 |
| 58,0 | | | | | | | | | | 58,0 |
| 60,0 | | | | | | | | | | 60,0 |

MLC165 S-1

ASME B30.5



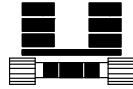
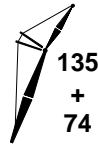
45 130 kg
+
0 kg



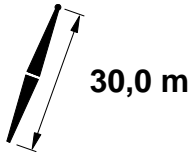
| m | 75° | | | 70° | | | m |
|------|------|------|-------|------|------|-------|------|
| | m | m | kg | m | m | kg | |
| 16,8 | | | | | | | 16,8 |
| 18,0 | | | | | | | 18,0 |
| 20,0 | | | | | | | 20,0 |
| 22,0 | | | | | | | 22,0 |
| 24,0 | | | | | | | 24,0 |
| 26,0 | | | | | | | 26,0 |
| 28,0 | | | | | | | 28,0 |
| 30,0 | | | | | | | 30,0 |
| 32,0 | 63,0 | 74,3 | 9 700 | | | | 32,0 |
| 34,0 | 60,3 | 73,2 | 8 900 | | | | 34,0 |
| 36,0 | 57,6 | 72,0 | 8 200 | | | | 36,0 |
| 38,0 | 54,7 | 70,7 | 7 600 | | | | 38,0 |
| 40,0 | 51,8 | 69,2 | 7 000 | 55,4 | 70,2 | 6 200 | 40,0 |
| 42,0 | 48,7 | 67,5 | 6 500 | 52,5 | 68,7 | 5 700 | 42,0 |
| 44,0 | 45,5 | 65,7 | 6 000 | 49,5 | 67,1 | 5 300 | 44,0 |
| 46,0 | 42,2 | 63,6 | 5 600 | 46,3 | 65,3 | 4 900 | 46,0 |
| 48,0 | 38,5 | 61,3 | 5 200 | 43,0 | 63,3 | 4 500 | 48,0 |
| 50,0 | 34,6 | 58,6 | 4 800 | 39,4 | 61,0 | 4 200 | 50,0 |
| 52,0 | 30,2 | 55,4 | 4 500 | 35,5 | 58,4 | 3 900 | 52,0 |
| 54,0 | 25,1 | 51,6 | 4 200 | 31,3 | 55,4 | 3 600 | 54,0 |
| 56,0 | 18,8 | 46,6 | 3 900 | 26,4 | 51,7 | 3 300 | 56,0 |
| 58,0 | | | | 20,5 | 47,1 | 3 100 | 58,0 |
| 60,0 | | | | 12,1 | 40,3 | 2 900 | 60,0 |

MLC165 S-1

ASME B30.5



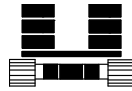
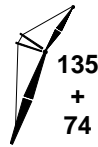
45 130 kg
+
0 kg



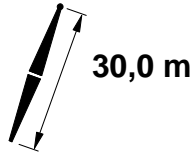
| m | 87° | | | 83° | | | 80° | | | m |
|------|------|------|-----------|------|------|----------|------|------|--------|------|
| | m | m | kg | m | m | kg | m | m | kg | |
| 18,3 | 73,6 | 81,7 | 16 100 *b | | | | | | | 18,3 |
| 20,0 | 71,6 | 81,2 | 15 400 *b | | | | | | | 20,0 |
| 22,0 | 69,3 | 80,5 | 14 600 * | | | | | | | 22,0 |
| 24,0 | 66,9 | 79,7 | 13 800 * | 69,4 | 80,3 | 14 600 * | | | | 24,0 |
| 26,0 | 64,5 | 78,8 | 13 000 * | 67,0 | 79,5 | 13 800 * | | | | 26,0 |
| 28,0 | 62,0 | 77,8 | 12 200 * | 64,6 | 78,6 | 13 100 * | 66,5 | 79,0 | 12 800 | 28,0 |
| 30,0 | 59,5 | 76,6 | 11 500 * | 62,1 | 77,6 | 12 200 | 64,0 | 78,1 | 11 600 | 30,0 |
| 32,0 | 56,9 | 75,4 | 10 700 * | 59,6 | 76,5 | 11 200 | 61,5 | 77,1 | 10 600 | 32,0 |
| 34,0 | 54,2 | 74,0 | 10 000 * | 57,0 | 75,2 | 10 300 | 59,0 | 75,9 | 9 700 | 34,0 |
| 36,0 | 51,4 | 72,5 | 9 400 * | 54,3 | 73,8 | 9 400 | 56,4 | 74,6 | 8 900 | 36,0 |
| 38,0 | 48,5 | 70,8 | 8 800 * | 51,5 | 72,3 | 8 700 | 53,7 | 73,2 | 8 200 | 38,0 |
| 40,0 | 45,5 | 69,0 | 8 200 * | 48,6 | 70,7 | 8 000 | 50,9 | 71,7 | 7 600 | 40,0 |
| 42,0 | 42,3 | 66,9 | 7 700 * | 45,6 | 68,8 | 7 500 | 48,0 | 70,0 | 7 100 | 42,0 |
| 44,0 | 38,9 | 64,5 | 7 100 * | 42,4 | 66,7 | 6 900 | 44,9 | 68,1 | 6 500 | 44,0 |
| 46,0 | 35,2 | 61,9 | 6 600 * | 39,0 | 64,4 | 6 500 | 41,7 | 66,0 | 6 100 | 46,0 |
| 48,0 | 31,2 | 58,8 | 6 100 * | 35,4 | 61,8 | 6 100 | 38,2 | 63,6 | 5 700 | 48,0 |
| 50,0 | 26,6 | 55,2 | 5 600 * | 31,4 | 58,7 | 5 600 | 34,5 | 60,9 | 5 300 | 50,0 |
| 52,0 | 21,1 | 50,7 | 5 000 * | 26,8 | 55,1 | 5 300 | 30,4 | 57,7 | 4 900 | 52,0 |
| 54,0 | 13,8 | 44,3 | 4 600 * | 21,4 | 50,7 | 4 900 | 25,7 | 54,0 | 4 600 | 54,0 |
| 56,0 | | | | 14,1 | 44,4 | 4 600 | 20,0 | 49,2 | 4 300 | 56,0 |
| 58,0 | | | | | | | | | | 58,0 |
| 60,0 | | | | | | | | | | 60,0 |
| 62,0 | | | | | | | | | | 62,0 |
| 64,0 | | | | | | | | | | 64,0 |

MLC165 S-1

ASME B30.5



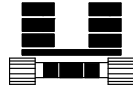
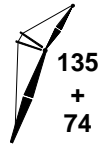
45 130 kg
+
0 kg



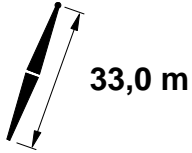
| m | 75° | | | 70° | | | m |
|------|------|------|-------|------|------|-------|------|
| | m | m | kg | m | m | kg | |
| 18,3 | | | | | | | 18,3 |
| 20,0 | | | | | | | 20,0 |
| 22,0 | | | | | | | 22,0 |
| 24,0 | | | | | | | 24,0 |
| 26,0 | | | | | | | 26,0 |
| 28,0 | | | | | | | 28,0 |
| 30,0 | | | | | | | 30,0 |
| 32,0 | | | | | | | 32,0 |
| 34,0 | 62,2 | 76,7 | 8 800 | | | | 34,0 |
| 36,0 | 59,7 | 75,6 | 8 100 | | | | 36,0 |
| 38,0 | 57,1 | 74,4 | 7 400 | | | | 38,0 |
| 40,0 | 54,4 | 73,0 | 6 900 | | | | 40,0 |
| 42,0 | 51,6 | 71,5 | 6 300 | 55,1 | 72,5 | 5 600 | 42,0 |
| 44,0 | 48,8 | 69,8 | 5 800 | 52,3 | 71,0 | 5 200 | 44,0 |
| 46,0 | 45,8 | 68,0 | 5 400 | 49,5 | 69,4 | 4 800 | 46,0 |
| 48,0 | 42,6 | 65,9 | 5 100 | 46,5 | 67,6 | 4 400 | 48,0 |
| 50,0 | 39,2 | 63,6 | 4 700 | 43,4 | 65,6 | 4 100 | 50,0 |
| 52,0 | 35,6 | 61,0 | 4 400 | 40,0 | 63,4 | 3 800 | 52,0 |
| 54,0 | 31,6 | 58,0 | 4 100 | 36,5 | 60,8 | 3 500 | 54,0 |
| 56,0 | 27,0 | 54,4 | 3 800 | 32,5 | 57,9 | 3 300 | 56,0 |
| 58,0 | 21,7 | 50,0 | 3 500 | 28,2 | 54,5 | 3 000 | 58,0 |
| 60,0 | 14,5 | 43,9 | 3 200 | 23,1 | 50,3 | 2 800 | 60,0 |
| 62,0 | | | | 16,5 | 44,8 | 2 500 | 62,0 |
| 64,0 | | | | 4,2 | 33,8 | 2 300 | 64,0 |




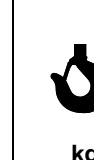

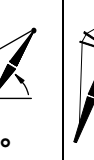




MLC165 S-1

ASME B30.5



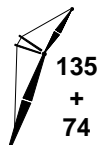
45 130 kg
+
0 kg



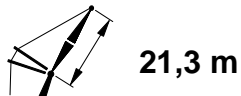
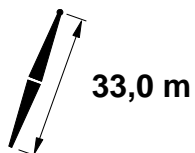
| | 87° | | | 83° | | | 80° | | | | |
|------|---|---|---|--|---|--|---|--|--|--|--|
| |  m |  m |  m |  kg |  m |  kg |  m |  kg |  m | |  kg |
| 9,8 | 73,9 | 55,5 | 44 400 *d | | | | | | | | 9,8 |
| 10,0 | 73,2 | 55,4 | 44 400 *d | | | | | | | | 10,0 |
| 12,0 | 67,5 | 54,7 | 44 400 *c | | | | | | | | 12,0 |
| 14,0 | 61,5 | 53,8 | 37 300 c | 68,3 | 54,6 | 35 400 c | | | | | 14,0 |
| 16,0 | 55,2 | 52,5 | 31 200 b | 62,4 | 53,7 | 29 500 b | | | | | 16,0 |
| 18,0 | 48,4 | 51,0 | 26 800 b | 56,2 | 52,5 | 25 400 b | 61,5 | 53,2 | 24 300 b | | 18,0 |
| 20,0 | 40,7 | 48,9 | 23 400 b | 49,4 | 51,0 | 22 100 | 55,2 | 52,0 | 21 200 b | | 20,0 |
| 22,0 | 31,6 | 46,2 | 20 700 | 41,9 | 49,0 | 19 600 | 48,4 | 50,4 | 18 700 | | 22,0 |
| 24,0 | 19,0 | 42,0 | 18 400 | 33,1 | 46,4 | 17 400 | 40,7 | 48,4 | 16 700 | | 24,0 |
| 26,0 | | | | 21,3 | 42,5 | 15 700 | 31,6 | 45,7 | 15 000 | | 26,0 |
| 28,0 | | | | | | | 19,0 | 41,4 | 13 600 | | 28,0 |
| 30,0 | | | | | | | | | | | 30,0 |
| 32,0 | | | | | | | | | | | 32,0 |
| 34,0 | | | | | | | | | | | 34,0 |
| 36,0 | | | | | | | | | | | 36,0 |

MLC165 S-1

ASME B30.5



45 130 kg
+
0 kg

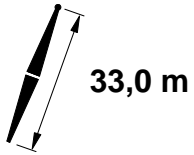
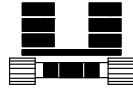
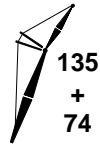


| | 75° | | | 70° | | | 65° | | | |
|------|------|------|-----------------|------|------|-----------------|------|------|-------|------|
| | m | m | kg | m | m | kg | m | m | kg | |
| 9,8 | | | | | | | | | | 9,8 |
| 10,0 | | | | | | | | | | 10,0 |
| 12,0 | | | | | | | | | | 12,0 |
| 14,0 | | | | | | | | | | 14,0 |
| 16,0 | | | | | | | | | | 16,0 |
| 18,0 | | | | | | | | | | 18,0 |
| 20,0 | | | | | | | | | | 20,0 |
| 22,0 | 57,8 | 51,8 | 17 300 b | | | | | | | 22,0 |
| 24,0 | 51,2 | 50,4 | 15 400 | | | | | | | 24,0 |
| 26,0 | 43,9 | 48,6 | 13 900 | 53,6 | 50,1 | 12 700 b | | | | 26,0 |
| 28,0 | 35,5 | 46,2 | 12 600 | 46,6 | 48,4 | 11 600 | | | | 28,0 |
| 30,0 | 24,8 | 42,7 | 11 400 | 38,7 | 46,2 | 10 500 | 49,0 | 47,8 | 9 600 | 30,0 |
| 32,0 | | | | 29,1 | 43,2 | 9 600 | 41,4 | 45,8 | 8 700 | 32,0 |
| 34,0 | | | | | | | 32,4 | 43,2 | 8 000 | 34,0 |
| 36,0 | | | | | | | 20,3 | 39,1 | 7 300 | 36,0 |

REFERENCE ONLY

MLC165 S-1

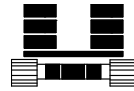
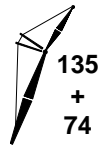
ASME B30.5



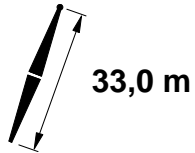
| | 87° | | | 83° | | | 80° | | | |
|------|------|------|-----------|------|------|----------|------|------|----------|------|
| | | | | | | | | | | |
| | m | m | kg | m | m | kg | m | m | kg | m |
| 10,4 | 74,5 | 58,5 | 40 700 *d | | | | | | | 10,4 |
| 12,0 | 70,4 | 58,0 | 40 700 *c | | | | | | | 12,0 |
| 14,0 | 65,4 | 57,2 | 37 500 c | | | | | | | 14,0 |
| 16,0 | 60,1 | 56,1 | 31 100 b | 66,1 | 57,1 | 29 500 b | | | | 16,0 |
| 18,0 | 54,5 | 54,9 | 26 700 b | 60,9 | 56,1 | 25 200 b | | | | 18,0 |
| 20,0 | 48,5 | 53,3 | 23 300 b | 55,3 | 54,8 | 22 000 | 60,1 | 55,6 | 21 000 b | 20,0 |
| 22,0 | 41,8 | 51,3 | 20 600 | 49,4 | 53,3 | 19 400 | 54,5 | 54,3 | 18 600 | 22,0 |
| 24,0 | 34,2 | 48,7 | 18 400 | 42,8 | 51,3 | 17 400 | 48,4 | 52,7 | 16 600 | 24,0 |
| 26,0 | 24,6 | 45,2 | 16 600 | 35,4 | 48,9 | 15 600 | 41,8 | 50,7 | 14 900 | 26,0 |
| 28,0 | | | | 26,2 | 45,5 | 14 200 | 34,2 | 48,2 | 13 500 | 28,0 |
| 30,0 | | | | 11,7 | 39,7 | 12 900 | 24,6 | 44,6 | 12 300 | 30,0 |
| 32,0 | | | | | | | 7,5 | 37,7 | 11 200 | 32,0 |
| 34,0 | | | | | | | | | | 34,0 |
| 36,0 | | | | | | | | | | 36,0 |
| 38,0 | | | | | | | | | | 38,0 |

MLC165 S-1

ASME B30.5



45 130 kg
+
0 kg

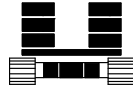
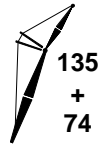


| | 75° | | | 70° | | | 65° | | | |
|------|------|------|--------|------|------|--------|------|------|-------|------|
| | m | m | kg | m | m | kg | m | m | kg | |
| 10,4 | | | | | | | | | | 10,4 |
| 12,0 | | | | | | | | | | 12,0 |
| 14,0 | | | | | | | | | | 14,0 |
| 16,0 | | | | | | | | | | 16,0 |
| 18,0 | | | | | | | | | | 18,0 |
| 20,0 | | | | | | | | | | 20,0 |
| 22,0 | | | | | | | | | | 22,0 |
| 24,0 | 56,7 | 54,2 | 15 300 | | | | | | | 24,0 |
| 26,0 | 50,9 | 52,7 | 13 700 | | | | | | | 26,0 |
| 28,0 | 44,6 | 50,9 | 12 400 | 53,1 | 52,4 | 11 400 | | | | 28,0 |
| 30,0 | 37,4 | 48,6 | 11 300 | 46,9 | 50,7 | 10 300 | | | | 30,0 |
| 32,0 | 28,8 | 45,5 | 10 300 | 40,1 | 48,6 | 9 400 | 48,9 | 50,1 | 8 600 | 32,0 |
| 34,0 | | | | 32,1 | 45,8 | 8 700 | 42,4 | 48,2 | 7 800 | 34,0 |
| 36,0 | | | | 21,8 | 41,9 | 8 000 | 34,9 | 45,7 | 7 200 | 36,0 |
| 38,0 | | | | | | | 25,5 | 42,2 | 6 600 | 38,0 |

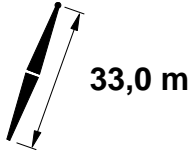
REFERENCE ONLY

MLC165 S-1

ASME B30.5



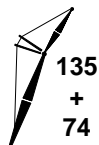
45 130 kg
+
0 kg



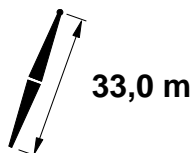
| m | 87° | | | 83° | | | 80° | | | m |
|------|------|------|-----------|------|------|----------|------|------|----------|------|
| | m | m | kg | m | m | kg | m | m | kg | |
| 11,0 | 74,9 | 61,5 | 36 800 *d | | | | | | | 11,0 |
| 12,0 | 72,7 | 61,2 | 36 700 *c | | | | | | | 12,0 |
| 14,0 | 68,2 | 60,5 | 36 100 *c | | | | | | | 14,0 |
| 16,0 | 63,7 | 59,6 | 31 200 c | 68,9 | 60,4 | 29 400 b | | | | 16,0 |
| 18,0 | 58,9 | 58,5 | 26 700 b | 64,3 | 59,5 | 25 100 b | | | | 18,0 |
| 20,0 | 53,9 | 57,2 | 23 200 b | 59,6 | 58,4 | 21 900 | 63,7 | 59,1 | 20 900 b | 20,0 |
| 22,0 | 48,5 | 55,6 | 20 600 | 54,6 | 57,1 | 19 400 | 58,9 | 58,0 | 18 500 | 22,0 |
| 24,0 | 42,7 | 53,6 | 18 400 | 49,3 | 55,6 | 17 300 | 53,9 | 56,6 | 16 500 | 24,0 |
| 26,0 | 36,1 | 51,2 | 16 600 | 43,6 | 53,7 | 15 600 | 48,5 | 55,0 | 14 800 | 26,0 |
| 28,0 | 28,2 | 48,0 | 15 000 | 37,1 | 51,3 | 14 100 | 42,7 | 53,1 | 13 500 | 28,0 |
| 30,0 | 17,5 | 43,2 | 13 700 | 29,5 | 48,3 | 12 900 | 36,1 | 50,6 | 12 300 | 30,0 |
| 32,0 | | | | 19,4 | 43,9 | 11 800 | 28,2 | 47,4 | 11 200 | 32,0 |
| 34,0 | | | | | | | 17,4 | 42,7 | 10 300 | 34,0 |
| 36,0 | | | | | | | | | | 36,0 |
| 38,0 | | | | | | | | | | 38,0 |
| 40,0 | | | | | | | | | | 40,0 |
| 42,0 | | | | | | | | | | 42,0 |

MLC165 S-1

ASME B30.5



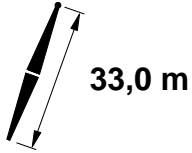
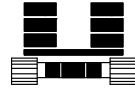
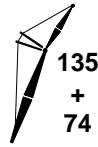
45 130 kg
+
0 kg



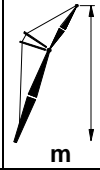


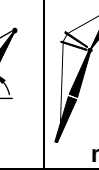
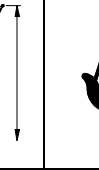


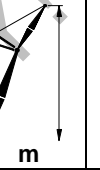


| | 75° | | | 70° | | | 65° | | | |
|------|------|------|--------|------|------|--------|------|------|-------|------|
| | | | | | | | | | | |
| | m | m | kg | m | m | kg | m | m | kg | m |
| 11,0 | | | | | | | | | | 11,0 |
| 12,0 | | | | | | | | | | 12,0 |
| 14,0 | | | | | | | | | | 14,0 |
| 16,0 | | | | | | | | | | 16,0 |
| 18,0 | | | | | | | | | | 18,0 |
| 20,0 | | | | | | | | | | 20,0 |
| 22,0 | | | | | | | | | | 22,0 |
| 24,0 | | | | | | | | | | 24,0 |
| 26,0 | 55,9 | 56,5 | 13 600 | | | | | | | 26,0 |
| 28,0 | 50,7 | 55,0 | 12 300 | | | | | | | 28,0 |
| 30,0 | 45,1 | 53,2 | 11 200 | 52,6 | 54,7 | 10 200 | | | | 30,0 |
| 32,0 | 38,8 | 51,0 | 10 300 | 47,2 | 53,0 | 9 300 | | | | 32,0 |
| 34,0 | 31,6 | 48,2 | 9 400 | 41,2 | 50,9 | 8 600 | 49,0 | 52,4 | 7 700 | 34,0 |
| 36,0 | 22,3 | 44,2 | 8 700 | 34,4 | 48,4 | 7 900 | 43,2 | 50,5 | 7 100 | 36,0 |
| 38,0 | | | | 26,0 | 44,9 | 7 300 | 36,7 | 48,1 | 6 600 | 38,0 |
| 40,0 | | | | | | | 28,9 | 45,0 | 6 000 | 40,0 |
| 42,0 | | | | | | | 18,5 | 40,4 | 5 600 | 42,0 |

MLC165 S-1

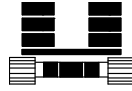
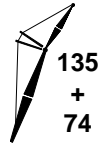
ASME B30.5



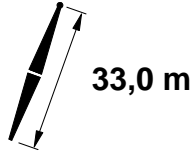
| | 87° | | | 83° | | | 80° | | | | |
|------|---|---|---|--|---|--|---|--|---|--|--|
| |  m |  m |  m |  kg |  m |  kg |  m |  kg |  m | |  kg |
| 12,2 | 74,1 | 64,3 | 33 600 *d | | | | | | | | 12,2 |
| 14,0 | 70,5 | 63,7 | 33 400 *c | | | | | | | | 14,0 |
| 16,0 | 66,5 | 63,0 | 31 200 *c | | | | | | | | 16,0 |
| 18,0 | 62,3 | 62,0 | 26 500 b | 67,1 | 62,8 | 25 000 b | | | | | 18,0 |
| 20,0 | 58,0 | 60,9 | 23 200 b | 62,9 | 61,9 | 21 800 | 66,5 | 62,4 | 20 800 b | | 20,0 |
| 22,0 | 53,4 | 59,5 | 20 400 | 58,6 | 60,8 | 19 300 | 62,3 | 61,5 | 18 300 | | 22,0 |
| 24,0 | 48,6 | 57,9 | 18 200 | 54,1 | 59,5 | 17 200 | 58,0 | 60,3 | 16 300 | | 24,0 |
| 26,0 | 43,3 | 55,9 | 16 400 | 49,3 | 57,9 | 15 400 | 53,4 | 58,9 | 14 700 | | 26,0 |
| 28,0 | 37,5 | 53,6 | 14 900 | 44,1 | 56,0 | 14 000 | 48,6 | 57,3 | 13 300 | | 28,0 |
| 30,0 | 30,8 | 50,6 | 13 600 | 38,4 | 53,7 | 12 800 | 43,3 | 55,4 | 12 100 | | 30,0 |
| 32,0 | 22,5 | 46,7 | 12 500 | 31,9 | 50,9 | 11 700 | 37,5 | 53,0 | 11 100 | | 32,0 |
| 34,0 | | | | 23,9 | 47,1 | 10 800 | 30,8 | 50,1 | 10 200 | | 34,0 |
| 36,0 | | | | 11,4 | 40,8 | 9 900 | 22,4 | 46,1 | 9 400 | | 36,0 |
| 38,0 | | | | | | | 8,1 | 38,8 | 8 600 | | 38,0 |
| 40,0 | | | | | | | | | | | 40,0 |
| 42,0 | | | | | | | | | | | 42,0 |
| 44,0 | | | | | | | | | | | 44,0 |


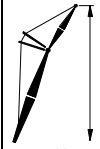
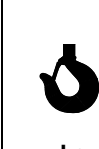

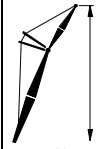


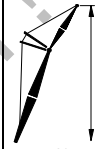

MLC165 S-1

ASME B30.5



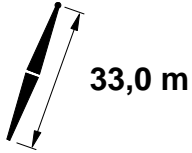
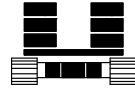
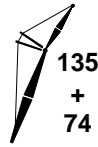
45 130 kg
+
0 kg




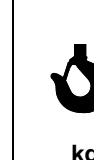

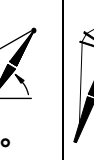






| | 75° | | | 70° | | | 65° | | | |
|------|---|---|--|---|---|--|---|---|--|------|
| |  m |  m |  kg |  m |  m |  kg |  m |  m |  kg | |
| 12,2 | | | | | | | | | | 12,2 |
| 14,0 | | | | | | | | | | 14,0 |
| 16,0 | | | | | | | | | | 16,0 |
| 18,0 | | | | | | | | | | 18,0 |
| 20,0 | | | | | | | | | | 20,0 |
| 22,0 | | | | | | | | | | 22,0 |
| 24,0 | | | | | | | | | | 24,0 |
| 26,0 | 59,7 | 60,1 | 13 500 | | | | | | | 26,0 |
| 28,0 | 55,2 | 58,8 | 12 200 | | | | | | | 28,0 |
| 30,0 | 50,5 | 57,3 | 11 100 | | | | | | | 30,0 |
| 32,0 | 45,5 | 55,5 | 10 200 | 52,3 | 57,0 | 9 200 | | | | 32,0 |
| 34,0 | 39,9 | 53,4 | 9 300 | 47,4 | 55,3 | 8 400 | | | | 34,0 |
| 36,0 | 33,6 | 50,7 | 8 600 | 42,0 | 53,3 | 7 800 | 49,0 | 54,7 | 6 900 | 36,0 |
| 38,0 | 26,1 | 47,2 | 7 900 | 36,0 | 50,8 | 7 100 | 43,8 | 52,8 | 6 400 | 38,0 |
| 40,0 | | | | 29,0 | 47,7 | 6 600 | 38,0 | 50,5 | 5 900 | 40,0 |
| 42,0 | | | | 20,0 | 43,3 | 6 100 | 31,4 | 47,6 | 5 400 | 42,0 |
| 44,0 | | | | | | | 23,2 | 43,7 | 5 000 | 44,0 |

MLC165 S-1

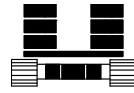
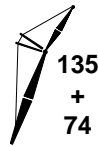
ASME B30.5



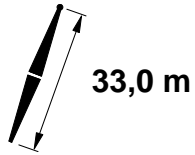
| | 87° | | | 83° | | | 80° | | | | |
|------|---|---|---|--|---|--|---|--|--|--|--|
| |  m |  m |  m |  kg |  m |  kg |  m |  kg |  m | |  kg |
| 13,7 | 72,9 | 67,0 | 30 800 *c | | | | | | | | 13,7 |
| 14,0 | 72,3 | 67,0 | 30 700 *c | | | | | | | | 14,0 |
| 16,0 | 68,7 | 66,3 | 29 800 *c | | | | | | | | 16,0 |
| 18,0 | 65,0 | 65,4 | 26 700 b | | | | | | | | 18,0 |
| 20,0 | 61,2 | 64,4 | 23 100 b | 65,6 | 65,3 | 21 700 | | | | | 20,0 |
| 22,0 | 57,2 | 63,2 | 20 400 | 61,7 | 64,3 | 19 200 | 65,0 | 64,9 | 18 300 | | 22,0 |
| 24,0 | 53,0 | 61,8 | 18 200 | 57,8 | 63,1 | 17 100 | 61,2 | 63,8 | 16 300 | | 24,0 |
| 26,0 | 48,6 | 60,2 | 16 400 | 53,6 | 61,8 | 15 400 | 57,2 | 62,7 | 14 700 | | 26,0 |
| 28,0 | 43,9 | 58,3 | 14 900 | 49,3 | 60,2 | 14 000 | 53,0 | 61,3 | 13 300 | | 28,0 |
| 30,0 | 38,7 | 56,0 | 13 600 | 44,6 | 58,3 | 12 700 | 48,6 | 59,6 | 12 100 | | 30,0 |
| 32,0 | 32,8 | 53,2 | 12 500 | 39,5 | 56,1 | 11 700 | 43,9 | 57,7 | 11 100 | | 32,0 |
| 34,0 | 25,9 | 49,6 | 11 500 | 33,8 | 53,4 | 10 800 | 38,7 | 55,4 | 10 200 | | 34,0 |
| 36,0 | 16,4 | 44,5 | 10 600 | 27,0 | 50,0 | 9 900 | 32,8 | 52,7 | 9 400 | | 36,0 |
| 38,0 | | | | 18,1 | 45,2 | 9 200 | 25,8 | 49,1 | 8 700 | | 38,0 |
| 40,0 | | | | | | | 16,3 | 43,9 | 8 000 | | 40,0 |
| 42,0 | | | | | | | | | | | 42,0 |
| 44,0 | | | | | | | | | | | 44,0 |
| 46,0 | | | | | | | | | | | 46,0 |
| 48,0 | | | | | | | | | | | 48,0 |

MLC165 S-1

ASME B30.5



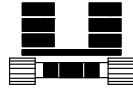
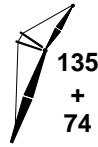
45 130 kg
+
0 kg



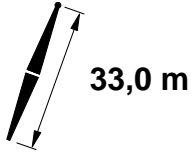
| m | 75° | | | 70° | | | 65° | | | m |
|------|------|------|--------|------|------|-------|------|------|-------|------|
| | m | m | kg | m | m | kg | m | m | kg | |
| 13,7 | | | | | | | | | | 13,7 |
| 14,0 | | | | | | | | | | 14,0 |
| 16,0 | | | | | | | | | | 16,0 |
| 18,0 | | | | | | | | | | 18,0 |
| 20,0 | | | | | | | | | | 20,0 |
| 22,0 | | | | | | | | | | 22,0 |
| 24,0 | | | | | | | | | | 24,0 |
| 26,0 | 62,7 | 63,6 | 13 500 | | | | | | | 26,0 |
| 28,0 | 58,8 | 62,5 | 12 200 | | | | | | | 28,0 |
| 30,0 | 54,7 | 61,2 | 11 100 | | | | | | | 30,0 |
| 32,0 | 50,4 | 59,6 | 10 100 | 56,2 | 60,7 | 9 200 | | | | 32,0 |
| 34,0 | 45,8 | 57,8 | 9 300 | 52,0 | 59,3 | 8 400 | | | | 34,0 |
| 36,0 | 40,8 | 55,7 | 8 600 | 47,5 | 57,6 | 7 700 | | | | 36,0 |
| 38,0 | 35,3 | 53,2 | 7 900 | 42,7 | 55,6 | 7 100 | 49,0 | 57,0 | 6 400 | 38,0 |
| 40,0 | 28,8 | 50,0 | 7 300 | 37,4 | 53,2 | 6 600 | 44,3 | 55,1 | 5 800 | 40,0 |
| 42,0 | 20,6 | 45,6 | 6 800 | 31,3 | 50,3 | 6 100 | 39,1 | 52,9 | 5 400 | 42,0 |
| 44,0 | | | | 23,9 | 46,5 | 5 700 | 33,3 | 50,1 | 5 000 | 44,0 |
| 46,0 | | | | | | | 26,5 | 46,7 | 4 600 | 46,0 |
| 48,0 | | | | | | | 17,3 | 41,7 | 4 300 | 48,0 |

MLC165 S-1

ASME B30.5



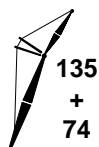
45 130 kg
+
0 kg



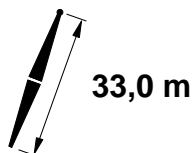
| m | 87° | | | 83° | | | 80° | | | m |
|------|------|------|-----------|------|------|--------|------|------|--------|------|
| | m | m | kg | m | m | kg | m | m | kg | |
| 13,7 | 74,3 | 70,2 | 28 200 *c | | | | | | | 13,7 |
| 14,0 | 73,9 | 70,1 | 28 200 *c | | | | | | | 14,0 |
| 16,0 | 70,6 | 69,5 | 27 600 *c | | | | | | | 16,0 |
| 18,0 | 67,2 | 68,7 | 26 100 b | | | | | | | 18,0 |
| 20,0 | 63,8 | 67,8 | 23 000 b | 67,7 | 68,6 | 21 600 | | | | 20,0 |
| 22,0 | 60,2 | 66,8 | 20 300 | 64,3 | 67,7 | 19 100 | | | | 22,0 |
| 24,0 | 56,5 | 65,5 | 18 100 | 60,7 | 66,7 | 17 000 | 63,8 | 67,3 | 16 200 | 24,0 |
| 26,0 | 52,7 | 64,1 | 16 300 | 57,1 | 65,5 | 15 300 | 60,2 | 66,2 | 14 500 | 26,0 |
| 28,0 | 48,6 | 62,5 | 14 800 | 53,3 | 64,1 | 13 900 | 56,5 | 65,0 | 13 100 | 28,0 |
| 30,0 | 44,3 | 60,6 | 13 500 | 49,2 | 62,5 | 12 600 | 52,7 | 63,6 | 12 000 | 30,0 |
| 32,0 | 39,6 | 58,3 | 12 400 | 45,0 | 60,6 | 11 600 | 48,6 | 61,9 | 11 000 | 32,0 |
| 34,0 | 34,4 | 55,7 | 11 400 | 40,3 | 58,4 | 10 600 | 44,3 | 60,0 | 10 100 | 34,0 |
| 36,0 | 28,4 | 52,4 | 10 500 | 35,2 | 55,9 | 9 800 | 39,6 | 57,8 | 9 300 | 36,0 |
| 38,0 | 20,9 | 48,1 | 9 700 | 29,4 | 52,7 | 9 100 | 34,4 | 55,1 | 8 600 | 38,0 |
| 40,0 | | | | 22,1 | 48,6 | 8 400 | 28,4 | 51,9 | 8 000 | 40,0 |
| 42,0 | | | | 11,2 | 41,9 | 7 800 | 20,9 | 47,5 | 7 400 | 42,0 |
| 44,0 | | | | | | | 8,5 | 39,9 | 6 900 | 44,0 |
| 46,0 | | | | | | | | | | 46,0 |
| 48,0 | | | | | | | | | | 48,0 |
| 50,0 | | | | | | | | | | 50,0 |

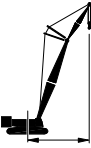



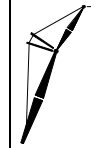




MLC165 S-1

ASME B30.5



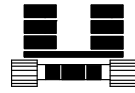
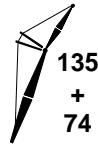
45 130 kg
+
0 kg



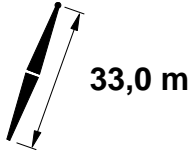
| | 75° | | | 70° | | | 65° | | | |
|------|---|---|--|---|---|--|---|---|--|------|
| |  m |  m |  kg |  m |  m |  kg |  m |  m |  kg | |
| 13,7 | | | | | | | | | | 13,7 |
| 14,0 | | | | | | | | | | 14,0 |
| 16,0 | | | | | | | | | | 16,0 |
| 18,0 | | | | | | | | | | 18,0 |
| 20,0 | | | | | | | | | | 20,0 |
| 22,0 | | | | | | | | | | 22,0 |
| 24,0 | | | | | | | | | | 24,0 |
| 26,0 | | | | | | | | | | 26,0 |
| 28,0 | 61,6 | 66,0 | 12 000 | | | | | | | 28,0 |
| 30,0 | 58,0 | 64,8 | 10 900 | | | | | | | 30,0 |
| 32,0 | 54,2 | 63,5 | 10 000 | | | | | | | 32,0 |
| 34,0 | 50,3 | 61,9 | 9 200 | 55,6 | 63,1 | 8 200 | | | | 34,0 |
| 36,0 | 46,1 | 60,1 | 8 400 | 51,7 | 61,6 | 7 500 | | | | 36,0 |
| 38,0 | 41,5 | 58,1 | 7 800 | 47,6 | 59,9 | 7 000 | | | | 38,0 |
| 40,0 | 36,6 | 55,6 | 7 200 | 43,2 | 57,9 | 6 400 | 49,0 | 59,3 | 5 700 | 40,0 |
| 42,0 | 30,9 | 52,6 | 6 700 | 38,4 | 55,6 | 6 000 | 44,7 | 57,4 | 5 300 | 42,0 |
| 44,0 | 24,2 | 48,8 | 6 200 | 33,1 | 52,8 | 5 500 | 40,0 | 55,2 | 4 800 | 44,0 |
| 46,0 | | | | 26,8 | 49,4 | 5 100 | 34,9 | 52,6 | 4 500 | 46,0 |
| 48,0 | | | | 18,7 | 44,6 | 4 700 | 28,9 | 49,4 | 4 100 | 48,0 |
| 50,0 | | | | | | | 21,6 | 45,2 | 3 800 | 50,0 |

MLC165 S-1

ASME B30.5



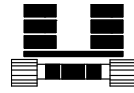
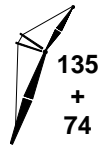
45 130 kg
+
0 kg



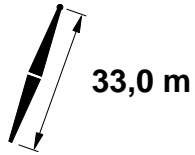
| m | 87° | | | 83° | | | 80° | | | m |
|------|------|------|-----------|------|------|----------|------|------|--------|------|
| | m | m | kg | m | m | kg | m | m | kg | |
| 15,2 | 73,3 | 73,0 | 21 600 *c | | | | | | | 15,2 |
| 16,0 | 72,1 | 72,7 | 21 400 *c | | | | | | | 16,0 |
| 18,0 | 69,0 | 72,0 | 20 900 *b | | | | | | | 18,0 |
| 20,0 | 65,9 | 71,2 | 20 500 *b | 69,5 | 71,9 | 21 000 * | | | | 20,0 |
| 22,0 | 62,7 | 70,2 | 19 800 * | 66,4 | 71,1 | 19 000 | | | | 22,0 |
| 24,0 | 59,4 | 69,1 | 18 100 | 63,2 | 70,1 | 16 900 | 65,9 | 70,6 | 16 100 | 24,0 |
| 26,0 | 56,0 | 67,9 | 16 200 | 59,9 | 69,0 | 15 200 | 62,7 | 69,7 | 14 400 | 26,0 |
| 28,0 | 52,4 | 66,4 | 14 700 | 56,5 | 67,8 | 13 800 | 59,4 | 68,6 | 13 100 | 28,0 |
| 30,0 | 48,7 | 64,8 | 13 400 | 52,9 | 66,4 | 12 500 | 56,0 | 67,3 | 11 900 | 30,0 |
| 32,0 | 44,7 | 62,9 | 12 300 | 49,2 | 64,8 | 11 500 | 52,4 | 65,9 | 10 800 | 32,0 |
| 34,0 | 40,4 | 60,7 | 11 300 | 45,3 | 62,9 | 10 500 | 48,7 | 64,2 | 10 000 | 34,0 |
| 36,0 | 35,7 | 58,2 | 10 400 | 41,1 | 60,8 | 9 700 | 44,7 | 62,3 | 9 200 | 36,0 |
| 38,0 | 30,4 | 55,1 | 9 600 | 36,4 | 58,3 | 9 000 | 40,4 | 60,2 | 8 500 | 38,0 |
| 40,0 | 24,1 | 51,2 | 9 000 | 31,2 | 55,3 | 8 400 | 35,7 | 57,6 | 7 900 | 40,0 |
| 42,0 | 15,6 | 45,7 | 8 300 | 25,1 | 51,6 | 7 700 | 30,4 | 54,5 | 7 300 | 42,0 |
| 44,0 | | | | 17,1 | 46,4 | 7 200 | 24,1 | 50,6 | 6 800 | 44,0 |
| 46,0 | | | | | | | 15,6 | 45,1 | 6 300 | 46,0 |
| 48,0 | | | | | | | | | | 48,0 |
| 50,0 | | | | | | | | | | 50,0 |
| 52,0 | | | | | | | | | | 52,0 |
| 54,0 | | | | | | | | | | 54,0 |

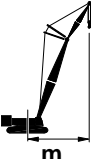



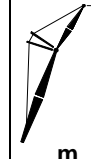




MLC165 S-1

ASME B30.5



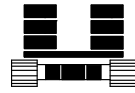
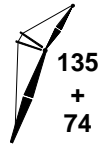
45 130 kg
+
0 kg



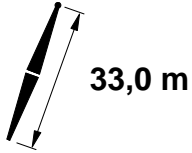
| | 75° | | | 70° | | | 65° | | | |
|------|---|---|--|---|---|--|---|---|--|------|
| |  m |  m |  kg |  m |  m |  kg |  m |  m |  kg | |
| 15,2 | | | | | | | | | | 15,2 |
| 16,0 | | | | | | | | | | 16,0 |
| 18,0 | | | | | | | | | | 18,0 |
| 20,0 | | | | | | | | | | 20,0 |
| 22,0 | | | | | | | | | | 22,0 |
| 24,0 | | | | | | | | | | 24,0 |
| 26,0 | | | | | | | | | | 26,0 |
| 28,0 | | | | | | | | | | 28,0 |
| 30,0 | 60,7 | 68,4 | 10 800 | | | | | | | 30,0 |
| 32,0 | 57,4 | 67,2 | 9 800 | | | | | | | 32,0 |
| 34,0 | 53,8 | 65,8 | 9 000 | | | | | | | 34,0 |
| 36,0 | 50,2 | 64,2 | 8 300 | 55,1 | 65,4 | 7 400 | | | | 36,0 |
| 38,0 | 46,3 | 62,4 | 7 600 | 51,5 | 63,9 | 6 800 | | | | 38,0 |
| 40,0 | 42,2 | 60,4 | 7 100 | 47,7 | 62,2 | 6 300 | | | | 40,0 |
| 42,0 | 37,6 | 58,0 | 6 600 | 43,7 | 60,2 | 5 800 | 49,0 | 61,6 | 5 100 | 42,0 |
| 44,0 | 32,6 | 55,2 | 6 100 | 39,3 | 58,0 | 5 400 | 45,0 | 59,7 | 4 700 | 44,0 |
| 46,0 | 26,8 | 51,6 | 5 600 | 34,5 | 55,3 | 5 000 | 40,8 | 57,6 | 4 400 | 46,0 |
| 48,0 | 19,4 | 47,0 | 5 300 | 29,0 | 52,1 | 4 700 | 36,1 | 55,1 | 4 100 | 48,0 |
| 50,0 | | | | 22,4 | 47,9 | 4 300 | 30,9 | 52,0 | 3 700 | 50,0 |
| 52,0 | | | | | | | 24,7 | 48,3 | 3 500 | 52,0 |
| 54,0 | | | | | | | 16,4 | 42,9 | 3 200 | 54,0 |

MLC165 S-1

ASME B30.5



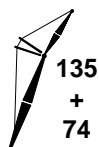
45 130 kg
+
0 kg



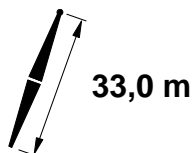
| m | 87° | | | 83° | | | 80° | | | m |
|------|------|------|-----------|------|------|----------|------|------|--------|------|
| | m | m | kg | m | m | kg | m | m | kg | |
| 15,2 | 74,5 | 76,1 | 20 200 *c | | | | | | | 15,2 |
| 16,0 | 73,4 | 75,9 | 20 000 *c | | | | | | | 16,0 |
| 18,0 | 70,6 | 75,3 | 19 600 *b | | | | | | | 18,0 |
| 20,0 | 67,7 | 74,5 | 19 200 *b | | | | | | | 20,0 |
| 22,0 | 64,8 | 73,6 | 18 800 * | 68,2 | 74,4 | 18 800 * | | | | 22,0 |
| 24,0 | 61,8 | 72,6 | 17 800 | 65,2 | 73,5 | 16 800 | | | | 24,0 |
| 26,0 | 58,7 | 71,5 | 16 100 | 62,2 | 72,5 | 15 100 | 64,8 | 73,1 | 14 300 | 26,0 |
| 28,0 | 55,5 | 70,2 | 14 600 | 59,2 | 71,4 | 13 600 | 61,8 | 72,1 | 12 900 | 28,0 |
| 30,0 | 52,2 | 68,7 | 13 300 | 56,0 | 70,1 | 12 400 | 58,7 | 70,9 | 11 700 | 30,0 |
| 32,0 | 48,7 | 67,1 | 12 200 | 52,7 | 68,7 | 11 300 | 55,5 | 69,6 | 10 700 | 32,0 |
| 34,0 | 45,0 | 65,2 | 11 200 | 49,2 | 67,1 | 10 400 | 52,2 | 68,2 | 9 800 | 34,0 |
| 36,0 | 41,1 | 63,1 | 10 300 | 45,6 | 65,2 | 9 600 | 48,7 | 66,5 | 9 100 | 36,0 |
| 38,0 | 36,8 | 60,6 | 9 600 | 41,7 | 63,1 | 8 900 | 45,0 | 64,7 | 8 400 | 38,0 |
| 40,0 | 32,0 | 57,7 | 8 900 | 37,4 | 60,7 | 8 200 | 41,1 | 62,5 | 7 700 | 40,0 |
| 42,0 | 26,6 | 54,1 | 8 300 | 32,8 | 57,9 | 7 600 | 36,8 | 60,0 | 7 200 | 42,0 |
| 44,0 | 19,7 | 49,4 | 7 700 | 27,4 | 54,4 | 7 100 | 32,0 | 57,1 | 6 700 | 44,0 |
| 46,0 | | | | 20,9 | 50,0 | 6 600 | 26,5 | 53,5 | 6 200 | 46,0 |
| 48,0 | | | | 11,1 | 43,0 | 6 200 | 19,7 | 48,9 | 5 800 | 48,0 |
| 50,0 | | | | | | | 8,8 | 41,0 | 5 400 | 50,0 |
| 52,0 | | | | | | | | | | 52,0 |
| 54,0 | | | | | | | | | | 54,0 |
| 56,0 | | | | | | | | | | 56,0 |

MLC165 S-1

ASME B30.5



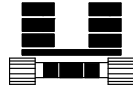
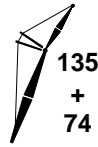
45 130 kg
+
0 kg



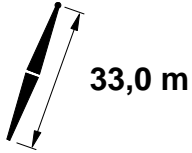
| | 75° | | | 70° | | | 65° | | | |
|------|------|------|-------|------|------|-------|------|------|-------|------|
| | | | | | | | | | | |
| | m | m | kg | m | m | kg | m | m | kg | m |
| 15,2 | | | | | | | | | | 15,2 |
| 16,0 | | | | | | | | | | 16,0 |
| 18,0 | | | | | | | | | | 18,0 |
| 20,0 | | | | | | | | | | 20,0 |
| 22,0 | | | | | | | | | | 22,0 |
| 24,0 | | | | | | | | | | 24,0 |
| 26,0 | | | | | | | | | | 26,0 |
| 28,0 | | | | | | | | | | 28,0 |
| 30,0 | | | | | | | | | | 30,0 |
| 32,0 | 59,9 | 70,7 | 9 700 | | | | | | | 32,0 |
| 34,0 | 56,8 | 69,5 | 8 900 | | | | | | | 34,0 |
| 36,0 | 53,5 | 68,1 | 8 200 | | | | | | | 36,0 |
| 38,0 | 50,1 | 66,5 | 7 500 | 54,7 | 67,7 | 6 700 | | | | 38,0 |
| 40,0 | 46,5 | 64,7 | 6 900 | 51,4 | 66,2 | 6 200 | | | | 40,0 |
| 42,0 | 42,7 | 62,7 | 6 400 | 47,8 | 64,5 | 5 700 | | | | 42,0 |
| 44,0 | 38,5 | 60,4 | 6 000 | 44,1 | 62,6 | 5 200 | 49,0 | 63,9 | 4 600 | 44,0 |
| 46,0 | 34,0 | 57,7 | 5 500 | 40,1 | 60,4 | 4 800 | 45,3 | 62,1 | 4 200 | 46,0 |
| 48,0 | 28,9 | 54,4 | 5 200 | 35,7 | 57,8 | 4 500 | 41,4 | 59,9 | 3 900 | 48,0 |
| 50,0 | 22,7 | 50,2 | 4 800 | 30,8 | 54,7 | 4 200 | 37,2 | 57,5 | 3 600 | 50,0 |
| 52,0 | | | | 25,1 | 51,0 | 3 900 | 32,5 | 54,6 | 3 300 | 52,0 |
| 54,0 | | | | 17,7 | 45,9 | 3 600 | 27,0 | 51,1 | 3 000 | 54,0 |
| 56,0 | | | | | | | 20,4 | 46,6 | 2 800 | 56,0 |

MLC165 S-1

ASME B30.5



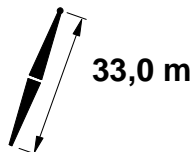
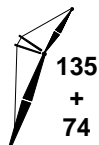
45 130 kg
+
0 kg



| m | 87° | | | 83° | | | 80° | | | m |
|------|------|------|-----------|------|------|----------|------|------|--------|------|
| | m | m | kg | m | m | kg | m | m | kg | |
| 16,8 | 73,6 | 78,9 | 18 500 *b | | | | | | | 16,8 |
| 18,0 | 71,9 | 78,5 | 18 300 *b | | | | | | | 18,0 |
| 20,0 | 69,3 | 77,8 | 18 000 *b | | | | | | | 20,0 |
| 22,0 | 66,6 | 77,0 | 17 300 * | 69,7 | 77,6 | 18 000 * | | | | 22,0 |
| 24,0 | 63,8 | 76,0 | 16 500 * | 67,0 | 76,8 | 16 800 | | | | 24,0 |
| 26,0 | 61,0 | 75,0 | 15 600 * | 64,2 | 75,9 | 15 000 | 66,6 | 76,4 | 14 200 | 26,0 |
| 28,0 | 58,1 | 73,8 | 14 600 | 61,4 | 74,9 | 13 600 | 63,8 | 75,5 | 12 800 | 28,0 |
| 30,0 | 55,1 | 72,5 | 13 300 | 58,5 | 73,8 | 12 300 | 61,0 | 74,5 | 11 700 | 30,0 |
| 32,0 | 52,0 | 71,0 | 12 100 | 55,5 | 72,5 | 11 300 | 58,1 | 73,3 | 10 700 | 32,0 |
| 34,0 | 48,7 | 69,4 | 11 200 | 52,4 | 71,0 | 10 400 | 55,1 | 72,0 | 9 800 | 34,0 |
| 36,0 | 45,3 | 67,5 | 10 300 | 49,2 | 69,4 | 9 600 | 52,0 | 70,5 | 9 000 | 36,0 |
| 38,0 | 41,6 | 65,4 | 9 500 | 45,8 | 67,5 | 8 800 | 48,7 | 68,8 | 8 300 | 38,0 |
| 40,0 | 37,7 | 63,0 | 8 900 | 42,2 | 65,5 | 8 200 | 45,3 | 67,0 | 7 700 | 40,0 |
| 42,0 | 33,4 | 60,2 | 8 200 | 38,3 | 63,1 | 7 600 | 41,6 | 64,8 | 7 200 | 42,0 |
| 44,0 | 28,5 | 56,9 | 7 700 | 34,1 | 60,4 | 7 100 | 37,7 | 62,4 | 6 700 | 44,0 |
| 46,0 | 22,7 | 52,7 | 7 100 | 29,3 | 57,1 | 6 600 | 33,4 | 59,6 | 6 200 | 46,0 |
| 48,0 | 15,0 | 46,8 | 6 700 | 23,7 | 53,1 | 6 100 | 28,5 | 56,3 | 5 800 | 48,0 |
| 50,0 | | | | 16,3 | 47,6 | 5 700 | 22,7 | 52,1 | 5 400 | 50,0 |
| 52,0 | | | | | | | 14,9 | 46,3 | 5 000 | 52,0 |
| 54,0 | | | | | | | | | | 54,0 |
| 56,0 | | | | | | | | | | 56,0 |

MLC165 S-1

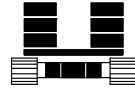
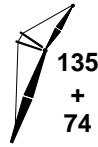
ASME B30.5



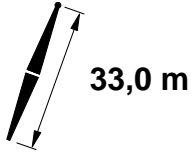
| m | 75° | | | 70° | | | m |
|------|------|------|-------|------|------|-------|------|
| | m | m | kg | m | m | kg | |
| 16,8 | | | | | | | 16,8 |
| 18,0 | | | | | | | 18,0 |
| 20,0 | | | | | | | 20,0 |
| 22,0 | | | | | | | 22,0 |
| 24,0 | | | | | | | 24,0 |
| 26,0 | | | | | | | 26,0 |
| 28,0 | | | | | | | 28,0 |
| 30,0 | | | | | | | 30,0 |
| 32,0 | 62,1 | 74,2 | 9 600 | | | | 32,0 |
| 34,0 | 59,3 | 73,1 | 8 800 | | | | 34,0 |
| 36,0 | 56,3 | 71,8 | 8 100 | | | | 36,0 |
| 38,0 | 53,2 | 70,4 | 7 500 | | | | 38,0 |
| 40,0 | 50,0 | 68,8 | 6 900 | 54,4 | 70,0 | 6 100 | 40,0 |
| 42,0 | 46,7 | 67,1 | 6 400 | 51,2 | 68,5 | 5 600 | 42,0 |
| 44,0 | 43,1 | 65,0 | 5 900 | 47,9 | 66,8 | 5 200 | 44,0 |
| 46,0 | 39,3 | 62,8 | 5 500 | 44,4 | 64,9 | 4 800 | 46,0 |
| 48,0 | 35,2 | 60,1 | 5 100 | 40,7 | 62,7 | 4 500 | 48,0 |
| 50,0 | 30,5 | 57,0 | 4 800 | 36,7 | 60,2 | 4 100 | 50,0 |
| 52,0 | 25,2 | 53,2 | 4 400 | 32,3 | 57,3 | 3 800 | 52,0 |
| 54,0 | 18,4 | 48,2 | 4 100 | 27,2 | 53,8 | 3 500 | 54,0 |
| 56,0 | | | | 21,1 | 49,4 | 3 300 | 56,0 |

MLC165 S-1

ASME B30.5



45 130 kg
+
0 kg



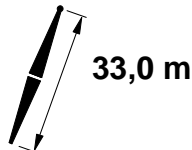
| m | 87° | | | 83° | | | 80° | | | m |
|------|------|------|-----------|------|------|----------|------|------|--------|------|
| | m | m | kg | m | m | kg | m | m | kg | |
| 16,8 | 74,6 | 82,0 | 17 300 *b | | | | | | | 16,8 |
| 18,0 | 73,1 | 81,7 | 17 100 *b | | | | | | | 18,0 |
| 20,0 | 70,6 | 81,0 | 16 700 *b | | | | | | | 20,0 |
| 22,0 | 68,1 | 80,3 | 15 800 * | | | | | | | 22,0 |
| 24,0 | 65,6 | 79,4 | 15 000 * | 68,5 | 80,1 | 15 900 * | | | | 24,0 |
| 26,0 | 63,0 | 78,5 | 14 200 * | 65,9 | 79,3 | 14 900 | | | | 26,0 |
| 28,0 | 60,3 | 77,4 | 13 400 * | 63,3 | 78,4 | 13 400 | 65,6 | 78,9 | 12 700 | 28,0 |
| 30,0 | 57,5 | 76,2 | 12 600 * | 60,7 | 77,3 | 12 200 | 63,0 | 77,9 | 11 500 | 30,0 |
| 32,0 | 54,7 | 74,8 | 11 900 * | 58,0 | 76,1 | 11 200 | 60,3 | 76,8 | 10 500 | 32,0 |
| 34,0 | 51,8 | 73,3 | 11 000 | 55,1 | 74,8 | 10 200 | 57,5 | 75,6 | 9 600 | 34,0 |
| 36,0 | 48,7 | 71,7 | 10 200 | 52,2 | 73,3 | 9 400 | 54,7 | 74,3 | 8 900 | 36,0 |
| 38,0 | 45,5 | 69,8 | 9 400 | 49,2 | 71,7 | 8 700 | 51,8 | 72,8 | 8 200 | 38,0 |
| 40,0 | 42,1 | 67,7 | 8 700 | 46,0 | 69,8 | 8 000 | 48,7 | 71,1 | 7 600 | 40,0 |
| 42,0 | 38,5 | 65,4 | 8 100 | 42,6 | 67,8 | 7 500 | 45,5 | 69,3 | 7 000 | 42,0 |
| 44,0 | 34,5 | 62,7 | 7 600 | 39,0 | 65,5 | 6 900 | 42,1 | 67,2 | 6 500 | 44,0 |
| 46,0 | 30,2 | 59,5 | 7 000 | 35,1 | 62,8 | 6 500 | 38,5 | 64,8 | 6 100 | 46,0 |
| 48,0 | 25,1 | 55,7 | 6 600 | 30,8 | 59,8 | 6 100 | 34,5 | 62,1 | 5 600 | 48,0 |
| 50,0 | 18,8 | 50,7 | 6 100 | 25,9 | 56,1 | 5 600 | 30,1 | 59,0 | 5 300 | 50,0 |
| 52,0 | | | | 19,8 | 51,3 | 5 300 | 25,1 | 55,1 | 4 900 | 52,0 |
| 54,0 | | | | 11,0 | 44,0 | 4 900 | 18,8 | 50,2 | 4 600 | 54,0 |
| 56,0 | | | | | | | 9,0 | 42,1 | 4 200 | 56,0 |
| 58,0 | | | | | | | | | | 58,0 |
| 60,0 | | | | | | | | | | 60,0 |

MLC165 S-1

ASME B30.5



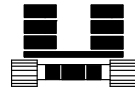
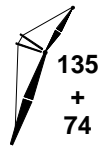
45 130 kg
+
0 kg



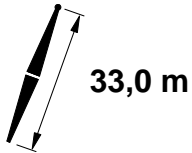
| m | 75° | | | 70° | | | m |
|------|------|------|-------|------|------|-------|------|
| | m | m | kg | m | m | kg | |
| 16,8 | | | | | | | 16,8 |
| 18,0 | | | | | | | 18,0 |
| 20,0 | | | | | | | 20,0 |
| 22,0 | | | | | | | 22,0 |
| 24,0 | | | | | | | 24,0 |
| 26,0 | | | | | | | 26,0 |
| 28,0 | | | | | | | 28,0 |
| 30,0 | | | | | | | 30,0 |
| 32,0 | | | | | | | 32,0 |
| 34,0 | 61,4 | 76,6 | 8 700 | | | | 34,0 |
| 36,0 | 58,6 | 75,4 | 8 000 | | | | 36,0 |
| 38,0 | 55,9 | 74,2 | 7 300 | | | | 38,0 |
| 40,0 | 53,0 | 72,7 | 6 700 | 56,9 | 73,7 | 5 900 | 40,0 |
| 42,0 | 50,0 | 71,1 | 6 200 | 54,0 | 72,3 | 5 500 | 42,0 |
| 44,0 | 46,8 | 69,4 | 5 800 | 51,1 | 70,8 | 5 000 | 44,0 |
| 46,0 | 43,5 | 67,4 | 5 300 | 48,0 | 69,1 | 4 700 | 46,0 |
| 48,0 | 40,0 | 65,1 | 5 000 | 44,7 | 67,2 | 4 300 | 48,0 |
| 50,0 | 36,2 | 62,6 | 4 600 | 41,3 | 65,0 | 4 000 | 50,0 |
| 52,0 | 32,0 | 59,6 | 4 300 | 37,6 | 62,6 | 3 700 | 52,0 |
| 54,0 | 27,2 | 56,1 | 4 000 | 33,5 | 59,8 | 3 400 | 54,0 |
| 56,0 | 21,5 | 51,7 | 3 700 | 29,0 | 56,5 | 3 100 | 56,0 |
| 58,0 | | | | 23,7 | 52,5 | 2 900 | 58,0 |
| 60,0 | | | | 17,0 | 47,1 | 2 700 | 60,0 |

MLC165 S-1

ASME B30.5



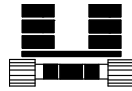
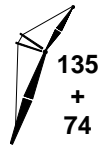
45 130 kg
+
0 kg



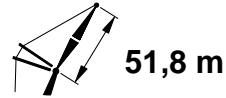
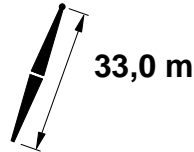
| m | 87° | | | 83° | | | 80° | | | m |
|------|------|------|-----------|------|------|----------|------|------|--------|------|
| | m | m | kg | m | m | kg | m | m | kg | |
| 18,3 | 73,8 | 84,8 | 15 800 *b | | | | | | | 18,3 |
| 20,0 | 71,8 | 84,2 | 15 400 *b | | | | | | | 20,0 |
| 22,0 | 69,5 | 83,5 | 14 600 * | | | | | | | 22,0 |
| 24,0 | 67,1 | 82,7 | 13 700 * | | | | | | | 24,0 |
| 26,0 | 64,7 | 81,9 | 13 000 * | 67,4 | 82,6 | 13 900 * | | | | 26,0 |
| 28,0 | 62,2 | 80,9 | 12 200 * | 65,0 | 81,7 | 13 100 * | 67,1 | 82,2 | 12 600 | 28,0 |
| 30,0 | 59,7 | 79,7 | 11 500 * | 62,6 | 80,8 | 12 200 | 64,7 | 81,3 | 11 400 | 30,0 |
| 32,0 | 57,1 | 78,5 | 10 800 * | 60,0 | 79,7 | 11 100 | 62,2 | 80,3 | 10 400 | 32,0 |
| 34,0 | 54,4 | 77,1 | 10 100 * | 57,5 | 78,4 | 10 100 | 59,7 | 79,2 | 9 500 | 34,0 |
| 36,0 | 51,6 | 75,6 | 9 500 * | 54,8 | 77,1 | 9 300 | 57,1 | 78,0 | 8 800 | 36,0 |
| 38,0 | 48,7 | 74,0 | 8 800 * | 52,0 | 75,6 | 8 600 | 54,4 | 76,6 | 8 100 | 38,0 |
| 40,0 | 45,7 | 72,1 | 8 200 * | 49,2 | 74,0 | 8 000 | 51,6 | 75,1 | 7 500 | 40,0 |
| 42,0 | 42,6 | 70,1 | 7 700 * | 46,2 | 72,2 | 7 400 | 48,7 | 73,4 | 6 900 | 42,0 |
| 44,0 | 39,2 | 67,7 | 7 200 * | 43,0 | 70,1 | 6 900 | 45,7 | 71,6 | 6 400 | 44,0 |
| 46,0 | 35,5 | 65,1 | 6 700 * | 39,7 | 67,9 | 6 400 | 42,5 | 69,5 | 6 000 | 46,0 |
| 48,0 | 31,5 | 62,1 | 6 200 * | 36,1 | 65,3 | 6 000 | 39,2 | 67,2 | 5 600 | 48,0 |
| 50,0 | 27,0 | 58,5 | 5 600 * | 32,1 | 62,3 | 5 500 | 35,5 | 64,6 | 5 200 | 50,0 |
| 52,0 | 21,6 | 54,1 | 5 100 * | 27,7 | 58,9 | 5 200 | 31,5 | 61,6 | 4 800 | 52,0 |
| 54,0 | 14,5 | 48,0 | 4 700 * | 22,5 | 54,6 | 4 800 | 27,0 | 58,0 | 4 500 | 54,0 |
| 56,0 | | | | 15,7 | 48,8 | 4 500 | 21,6 | 53,6 | 4 200 | 56,0 |
| 58,0 | | | | | | | 14,5 | 47,4 | 3 900 | 58,0 |
| 60,0 | | | | | | | | | | 60,0 |

MLC165 S-1

ASME B30.5



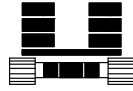
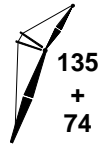
45 130 kg
+
0 kg



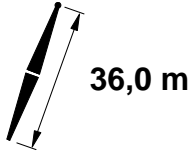
| | 75° | | |
|------|------|------|-------|
| | | | |
| | m | m | kg |
| 18,3 | | | |
| 20,0 | | | |
| 22,0 | | | |
| 24,0 | | | |
| 26,0 | | | |
| 28,0 | | | |
| 30,0 | | | |
| 32,0 | | | |
| 34,0 | | | |
| 36,0 | 60,7 | 79,0 | 7 800 |
| 38,0 | 58,1 | 77,8 | 7 200 |
| 40,0 | 55,5 | 76,5 | 6 700 |
| 42,0 | 52,7 | 75,0 | 6 100 |
| 44,0 | 49,9 | 73,4 | 5 700 |
| 46,0 | 46,9 | 71,7 | 5 200 |
| 48,0 | 43,8 | 69,7 | 4 800 |
| 50,0 | 40,5 | 67,5 | 4 500 |
| 52,0 | 37,0 | 65,0 | 4 200 |
| 54,0 | 33,2 | 62,1 | 3 900 |
| 56,0 | 28,9 | 58,8 | 3 600 |
| 58,0 | 23,9 | 54,8 | 3 300 |
| 60,0 | 17,7 | 49,5 | 3 100 |

MLC165 S-1

ASME B30.5



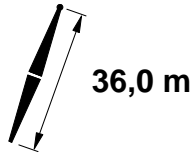
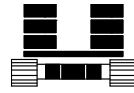
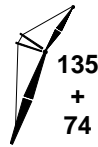
45 130 kg
+
0 kg



| m | 87° | | | 83° | | | 80° | | | m |
|------|------|------|-----------|------|------|----------|------|------|----------|------|
| | m | m | kg | m | m | kg | m | m | kg | |
| 9,8 | 74,3 | 58,5 | 42 500 *d | | | | | | | 9,8 |
| 10,0 | 73,6 | 58,5 | 42 500 *d | | | | | | | 10,0 |
| 12,0 | 67,9 | 57,8 | 42 500 *c | | | | | | | 12,0 |
| 14,0 | 62,0 | 56,8 | 37 400 c | 69,4 | 57,7 | 35 100 c | | | | 14,0 |
| 16,0 | 55,7 | 55,6 | 31 200 c | 63,5 | 56,8 | 29 300 c | | | | 16,0 |
| 18,0 | 48,9 | 54,1 | 26 800 b | 57,3 | 55,7 | 25 200 b | 63,1 | 56,4 | 24 000 b | 18,0 |
| 20,0 | 41,4 | 52,1 | 23 400 b | 50,7 | 54,2 | 21 900 | 56,9 | 55,3 | 20 900 b | 20,0 |
| 22,0 | 32,4 | 49,4 | 20 600 | 43,4 | 52,4 | 19 400 | 50,2 | 53,8 | 18 500 b | 22,0 |
| 24,0 | 20,3 | 45,4 | 18 400 | 34,8 | 49,9 | 17 300 | 42,8 | 51,9 | 16 500 | 24,0 |
| 26,0 | | | | 23,9 | 46,4 | 15 600 | 34,2 | 49,4 | 14 800 | 26,0 |
| 28,0 | | | | | | | 22,9 | 45,7 | 13 400 | 28,0 |
| 30,0 | | | | | | | | | | 30,0 |
| 32,0 | | | | | | | | | | 32,0 |
| 34,0 | | | | | | | | | | 34,0 |
| 36,0 | | | | | | | | | | 36,0 |
| 38,0 | | | | | | | | | | 38,0 |

MLC165 S-1

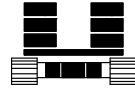
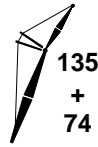
ASME B30.5



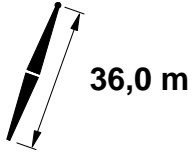
| | 75° | | | 70° | | | 65° | | | |
|------|------|------|-----------------|------|------|-----------------|------|------|-------|------|
| | m | m | kg | m | m | kg | m | m | kg | |
| 9,8 | | | | | | | | | | 9,8 |
| 10,0 | | | | | | | | | | 10,0 |
| 12,0 | | | | | | | | | | 12,0 |
| 14,0 | | | | | | | | | | 14,0 |
| 16,0 | | | | | | | | | | 16,0 |
| 18,0 | | | | | | | | | | 18,0 |
| 20,0 | | | | | | | | | | 20,0 |
| 22,0 | 60,2 | 55,2 | 16 900 b | | | | | | | 22,0 |
| 24,0 | 53,8 | 53,9 | 15 000 b | | | | | | | 24,0 |
| 26,0 | 46,8 | 52,2 | 13 500 | 57,0 | 53,6 | 12 300 b | | | | 26,0 |
| 28,0 | 38,9 | 50,1 | 12 300 | 50,3 | 52,1 | 11 100 | | | | 28,0 |
| 30,0 | 29,3 | 47,1 | 11 200 | 42,9 | 50,2 | 10 100 | | | | 30,0 |
| 32,0 | 15,1 | 42,2 | 10 200 | 34,3 | 47,7 | 9 200 | 46,3 | 49,8 | 8 300 | 32,0 |
| 34,0 | | | | 23,1 | 44,1 | 8 400 | 38,3 | 47,6 | 7 500 | 34,0 |
| 36,0 | | | | | | | 28,5 | 44,6 | 6 900 | 36,0 |
| 38,0 | | | | | | | 13,5 | 39,4 | 6 300 | 38,0 |

MLC165 S-1

ASME B30.5



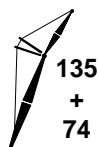
45 130 kg
+
0 kg



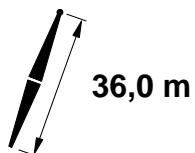
| | 87° | | | 83° | | | 80° | | | |
|------|------|------|-----------|------|------|----------|------|------|----------|------|
| | m | m | kg | m | m | kg | m | m | kg | |
| 10,4 | 74,8 | 61,5 | 39 100 *d | | | | | | | 10,4 |
| 12,0 | 70,8 | 61,0 | 39 100 *c | | | | | | | 12,0 |
| 14,0 | 65,8 | 60,2 | 37 500 c | | | | | | | 14,0 |
| 16,0 | 60,5 | 59,2 | 31 100 c | 67,0 | 60,2 | 29 300 c | | | | 16,0 |
| 18,0 | 54,9 | 58,0 | 26 700 b | 61,8 | 59,2 | 25 000 b | | | | 18,0 |
| 20,0 | 49,0 | 56,4 | 23 300 b | 56,3 | 58,0 | 21 800 | 61,4 | 58,8 | 20 700 b | 20,0 |
| 22,0 | 42,4 | 54,4 | 20 600 | 50,5 | 56,5 | 19 300 | 55,9 | 57,6 | 18 300 b | 22,0 |
| 24,0 | 34,8 | 51,9 | 18 400 | 44,1 | 54,7 | 17 200 | 50,1 | 56,1 | 16 300 | 24,0 |
| 26,0 | 25,5 | 48,5 | 16 600 | 36,8 | 52,4 | 15 500 | 43,6 | 54,2 | 14 700 | 26,0 |
| 28,0 | | | | 28,1 | 49,2 | 14 000 | 36,3 | 51,8 | 13 300 | 28,0 |
| 30,0 | | | | 15,4 | 44,2 | 12 800 | 27,4 | 48,6 | 12 100 | 30,0 |
| 32,0 | | | | | | | 14,0 | 43,3 | 11 100 | 32,0 |
| 34,0 | | | | | | | | | | 34,0 |
| 36,0 | | | | | | | | | | 36,0 |
| 38,0 | | | | | | | | | | 38,0 |
| 40,0 | | | | | | | | | | 40,0 |

MLC165 S-1

ASME B30.5



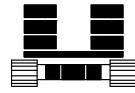
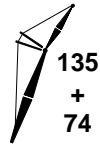
45 130 kg
+
0 kg



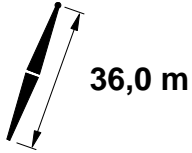
| | 75° | | | 70° | | | 65° | | | |
|------|------|------|--------|------|------|--------|------|------|-------|------|
| | | | | | | | | | | |
| | m | m | kg | m | m | kg | m | m | kg | m |
| 10,4 | | | | | | | | | | 10,4 |
| 12,0 | | | | | | | | | | 12,0 |
| 14,0 | | | | | | | | | | 14,0 |
| 16,0 | | | | | | | | | | 16,0 |
| 18,0 | | | | | | | | | | 18,0 |
| 20,0 | | | | | | | | | | 20,0 |
| 22,0 | | | | | | | | | | 22,0 |
| 24,0 | 58,9 | 57,6 | 14 900 | | | | | | | 24,0 |
| 26,0 | 53,2 | 56,2 | 13 400 | | | | | | | 26,0 |
| 28,0 | 47,1 | 54,5 | 12 100 | 56,0 | 55,9 | 10 900 | | | | 28,0 |
| 30,0 | 40,3 | 52,4 | 11 000 | 50,2 | 54,4 | 9 900 | | | | 30,0 |
| 32,0 | 32,3 | 49,7 | 10 100 | 43,7 | 52,5 | 9 100 | 52,8 | 53,8 | 8 100 | 32,0 |
| 34,0 | 22,0 | 45,8 | 9 200 | 36,4 | 50,2 | 8 300 | 46,6 | 52,1 | 7 400 | 34,0 |
| 36,0 | | | | 27,5 | 46,9 | 7 600 | 39,8 | 50,0 | 6 800 | 36,0 |
| 38,0 | | | | 14,3 | 41,7 | 7 000 | 31,7 | 47,2 | 6 200 | 38,0 |
| 40,0 | | | | | | | 21,1 | 43,2 | 5 700 | 40,0 |




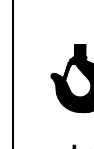

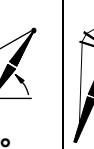
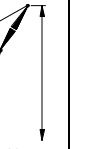



MLC165 S-1

ASME B30.5



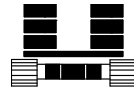
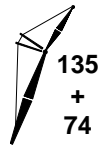
45 130 kg
+
0 kg



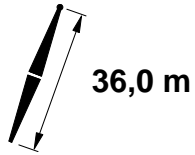
| | 87° | | | 83° | | | 80° | | | | |
|------|---|---|---|--|---|--|---|--|--|--|--|
| |  m |  m |  m |  kg |  m |  kg |  m |  kg |  m | |  kg |
| 11,6 | 73,9 | 64,4 | 35 400 *d | | | | | | | | 11,6 |
| 12,0 | 73,0 | 64,2 | 35 300 *d | | | | | | | | 12,0 |
| 14,0 | 68,6 | 63,5 | 35 000 *c | | | | | | | | 14,0 |
| 16,0 | 64,0 | 62,7 | 31 300 c | | | | | | | | 16,0 |
| 18,0 | 59,3 | 61,6 | 26 600 b | 65,2 | 62,6 | 25 000 b | | | | | 18,0 |
| 20,0 | 54,3 | 60,3 | 23 200 b | 60,5 | 61,6 | 21 700 b | 64,9 | 62,3 | 20 700 b | | 20,0 |
| 22,0 | 49,0 | 58,7 | 20 500 | 55,6 | 60,4 | 19 200 | 60,1 | 61,2 | 18 200 b | | 22,0 |
| 24,0 | 43,2 | 56,8 | 18 300 | 50,3 | 58,8 | 17 200 | 55,2 | 59,9 | 16 200 | | 24,0 |
| 26,0 | 36,6 | 54,4 | 16 500 | 44,7 | 57,0 | 15 400 | 49,9 | 58,4 | 14 600 | | 26,0 |
| 28,0 | 28,9 | 51,3 | 15 000 | 38,3 | 54,8 | 14 000 | 44,2 | 56,6 | 13 300 | | 28,0 |
| 30,0 | 18,5 | 46,7 | 13 600 | 31,0 | 51,9 | 12 700 | 37,9 | 54,3 | 12 100 | | 30,0 |
| 32,0 | | | | 21,6 | 47,8 | 11 700 | 30,4 | 51,3 | 11 100 | | 32,0 |
| 34,0 | | | | | | | 20,7 | 47,1 | 10 100 | | 34,0 |
| 36,0 | | | | | | | | | | | 36,0 |
| 38,0 | | | | | | | | | | | 38,0 |
| 40,0 | | | | | | | | | | | 40,0 |
| 42,0 | | | | | | | | | | | 42,0 |
| 44,0 | | | | | | | | | | | 44,0 |

MLC165 S-1

ASME B30.5



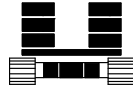
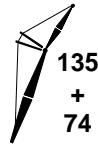
45 130 kg
+
0 kg



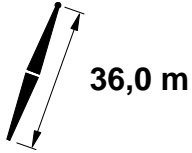
| | 75° | | | 70° | | | 65° | | | |
|------|------|------|--------|------|------|-------|------|------|-------|------|
| | | | | | | | | | | |
| | m | m | kg | m | m | kg | m | m | kg | m |
| 11,6 | | | | | | | | | | 11,6 |
| 12,0 | | | | | | | | | | 12,0 |
| 14,0 | | | | | | | | | | 14,0 |
| 16,0 | | | | | | | | | | 16,0 |
| 18,0 | | | | | | | | | | 18,0 |
| 20,0 | | | | | | | | | | 20,0 |
| 22,0 | | | | | | | | | | 22,0 |
| 24,0 | | | | | | | | | | 24,0 |
| 26,0 | 57,8 | 59,9 | 13 300 | | | | | | | 26,0 |
| 28,0 | 52,8 | 58,5 | 12 000 | | | | | | | 28,0 |
| 30,0 | 47,3 | 56,8 | 10 900 | 55,3 | 58,2 | 9 800 | | | | 30,0 |
| 32,0 | 41,3 | 54,8 | 10 000 | 50,0 | 56,7 | 9 000 | | | | 32,0 |
| 34,0 | 34,5 | 52,2 | 9 200 | 44,3 | 54,8 | 8 200 | | | | 34,0 |
| 36,0 | 26,3 | 48,8 | 8 500 | 38,0 | 52,6 | 7 600 | 46,9 | 54,4 | 6 700 | 36,0 |
| 38,0 | 14,1 | 43,4 | 7 800 | 30,5 | 49,6 | 7 000 | 40,9 | 52,4 | 6 100 | 38,0 |
| 40,0 | | | | 20,9 | 45,5 | 6 400 | 34,0 | 49,8 | 5 700 | 40,0 |
| 42,0 | | | | | | | 25,6 | 46,3 | 5 200 | 42,0 |
| 44,0 | | | | | | | 12,8 | 40,5 | 4 800 | 44,0 |

MLC165 S-1

ASME B30.5



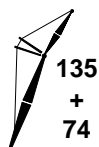
45 130 kg
+
0 kg



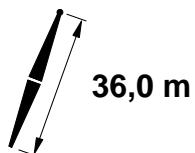
| m | 87° | | | 83° | | | 80° | | | m |
|------|------|------|-----------|------|------|----------|------|------|----------|------|
| | m | m | kg | m | m | kg | m | m | kg | |
| 12,2 | 74,4 | 67,4 | 32 500 *d | | | | | | | 12,2 |
| 14,0 | 70,8 | 66,8 | 32 300 *c | | | | | | | 14,0 |
| 16,0 | 66,8 | 66,0 | 31 000 *c | | | | | | | 16,0 |
| 18,0 | 62,6 | 65,1 | 26 500 b | 67,8 | 66,0 | 24 800 b | | | | 18,0 |
| 20,0 | 58,3 | 63,9 | 23 100 b | 63,7 | 65,1 | 21 600 | 67,5 | 65,6 | 20 500 b | 20,0 |
| 22,0 | 53,8 | 62,6 | 20 400 | 59,4 | 64,0 | 19 100 | 63,4 | 64,7 | 18 100 b | 22,0 |
| 24,0 | 49,0 | 61,0 | 18 200 | 54,9 | 62,7 | 17 000 | 59,1 | 63,6 | 16 100 | 24,0 |
| 26,0 | 43,8 | 59,1 | 16 400 | 50,2 | 61,1 | 15 300 | 54,6 | 62,3 | 14 500 | 26,0 |
| 28,0 | 38,0 | 56,8 | 14 900 | 45,1 | 59,3 | 13 900 | 49,8 | 60,7 | 13 100 | 28,0 |
| 30,0 | 31,4 | 53,9 | 13 600 | 39,5 | 57,1 | 12 700 | 44,7 | 58,9 | 12 000 | 30,0 |
| 32,0 | 23,2 | 50,0 | 12 400 | 33,2 | 54,4 | 11 600 | 39,1 | 56,6 | 10 900 | 32,0 |
| 34,0 | | | | 25,5 | 50,8 | 10 600 | 32,7 | 53,9 | 10 000 | 34,0 |
| 36,0 | | | | 14,5 | 45,3 | 9 800 | 24,9 | 50,2 | 9 200 | 36,0 |
| 38,0 | | | | | | | 13,4 | 44,5 | 8 500 | 38,0 |
| 40,0 | | | | | | | | | | 40,0 |
| 42,0 | | | | | | | | | | 42,0 |
| 44,0 | | | | | | | | | | 44,0 |
| 46,0 | | | | | | | | | | 46,0 |


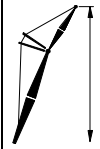


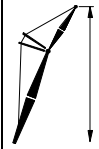


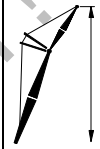

MLC165 S-1

ASME B30.5



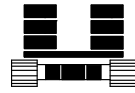
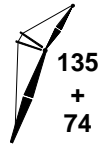
45 130 kg
+
0 kg



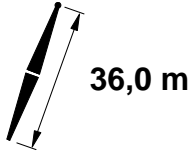
| | 75° | | | 70° | | | 65° | | | |
|------|---|---|--|---|---|--|---|---|--|------|
| |  m |  m |  kg |  m |  m |  kg |  m |  m |  kg | |
| 12,2 | | | | | | | | | | 12,2 |
| 14,0 | | | | | | | | | | 14,0 |
| 16,0 | | | | | | | | | | 16,0 |
| 18,0 | | | | | | | | | | 18,0 |
| 20,0 | | | | | | | | | | 20,0 |
| 22,0 | | | | | | | | | | 22,0 |
| 24,0 | | | | | | | | | | 24,0 |
| 26,0 | 61,4 | 63,4 | 13 100 | | | | | | | 26,0 |
| 28,0 | 57,0 | 62,2 | 11 900 | | | | | | | 28,0 |
| 30,0 | 52,4 | 60,8 | 10 800 | | | | | | | 30,0 |
| 32,0 | 47,5 | 59,1 | 9 800 | 54,7 | 60,5 | 8 800 | | | | 32,0 |
| 34,0 | 42,1 | 57,1 | 9 100 | 49,9 | 59,0 | 8 000 | | | | 34,0 |
| 36,0 | 36,2 | 54,7 | 8 300 | 44,8 | 57,2 | 7 400 | | | | 36,0 |
| 38,0 | 29,2 | 51,6 | 7 700 | 39,2 | 54,9 | 6 800 | 47,1 | 56,8 | 6 000 | 38,0 |
| 40,0 | 20,2 | 47,2 | 7 100 | 32,8 | 52,2 | 6 300 | 41,7 | 54,7 | 5 500 | 40,0 |
| 42,0 | | | | 25,0 | 48,6 | 5 800 | 35,7 | 52,2 | 5 000 | 42,0 |
| 44,0 | | | | 13,6 | 42,8 | 5 400 | 28,7 | 49,0 | 4 700 | 44,0 |
| 46,0 | | | | | | | 19,4 | 44,6 | 4 300 | 46,0 |

MLC165 S-1

ASME B30.5



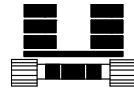
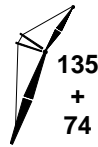
45 130 kg
+
0 kg



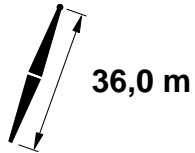
| m | 87° | | | 83° | | | 80° | | | m |
|------|------|------|-----------|------|------|--------|------|------|--------|------|
| | m | m | kg | m | m | kg | m | m | kg | |
| 13,7 | 73,1 | 70,1 | 29 800 *c | | | | | | | 13,7 |
| 14,0 | 72,6 | 70,0 | 29 700 *c | | | | | | | 14,0 |
| 16,0 | 69,0 | 69,3 | 29 300 *c | | | | | | | 16,0 |
| 18,0 | 65,3 | 68,5 | 26 700 b | | | | | | | 18,0 |
| 20,0 | 61,5 | 67,5 | 23 100 b | 66,2 | 68,4 | 21 500 | | | | 20,0 |
| 22,0 | 57,5 | 66,3 | 20 400 | 62,4 | 67,5 | 19 000 | 66,0 | 68,0 | 18 100 | 22,0 |
| 24,0 | 53,4 | 64,9 | 18 200 | 58,5 | 66,3 | 17 000 | 62,2 | 67,1 | 16 100 | 24,0 |
| 26,0 | 49,0 | 63,3 | 16 400 | 54,4 | 65,0 | 15 300 | 58,2 | 65,9 | 14 400 | 26,0 |
| 28,0 | 44,3 | 61,4 | 14 900 | 50,1 | 63,4 | 13 900 | 54,1 | 64,6 | 13 100 | 28,0 |
| 30,0 | 39,1 | 59,2 | 13 600 | 45,5 | 61,6 | 12 600 | 49,8 | 63,0 | 11 900 | 30,0 |
| 32,0 | 33,3 | 56,4 | 12 500 | 40,5 | 59,5 | 11 600 | 45,1 | 61,2 | 10 900 | 32,0 |
| 34,0 | 26,5 | 52,9 | 11 500 | 34,9 | 56,9 | 10 700 | 40,1 | 59,0 | 10 000 | 34,0 |
| 36,0 | 17,3 | 48,0 | 10 600 | 28,3 | 53,6 | 9 800 | 34,4 | 56,4 | 9 300 | 36,0 |
| 38,0 | | | | 20,0 | 49,2 | 9 100 | 27,8 | 53,1 | 8 600 | 38,0 |
| 40,0 | | | | | | | 19,2 | 48,5 | 7 900 | 40,0 |
| 42,0 | | | | | | | | | | 42,0 |
| 44,0 | | | | | | | | | | 44,0 |
| 46,0 | | | | | | | | | | 46,0 |
| 48,0 | | | | | | | | | | 48,0 |
| 50,0 | | | | | | | | | | 50,0 |

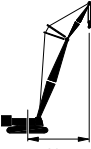








MLC165 S-1

ASME B30.5



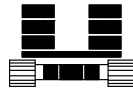
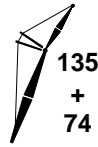
45 130 kg
+
0 kg



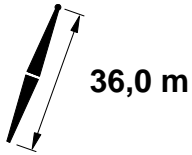
| | 75° | | | 70° | | | 65° | | | |
|------|---|---|--|---|---|--|---|---|--|------|
| |  m |  m |  kg |  m |  m |  kg |  m |  m |  kg | |
| 13,7 | | | | | | | | | | 13,7 |
| 14,0 | | | | | | | | | | 14,0 |
| 16,0 | | | | | | | | | | 16,0 |
| 18,0 | | | | | | | | | | 18,0 |
| 20,0 | | | | | | | | | | 20,0 |
| 22,0 | | | | | | | | | | 22,0 |
| 24,0 | | | | | | | | | | 24,0 |
| 26,0 | | | | | | | | | | 26,0 |
| 28,0 | 60,3 | 65,8 | 11 800 | | | | | | | 28,0 |
| 30,0 | 56,3 | 64,6 | 10 800 | | | | | | | 30,0 |
| 32,0 | 52,1 | 63,1 | 9 800 | | | | | | | 32,0 |
| 34,0 | 47,6 | 61,4 | 9 000 | 54,2 | 62,9 | 8 000 | | | | 34,0 |
| 36,0 | 42,8 | 59,5 | 8 300 | 49,8 | 61,3 | 7 400 | | | | 36,0 |
| 38,0 | 37,5 | 57,1 | 7 700 | 45,2 | 59,5 | 6 800 | | | | 38,0 |
| 40,0 | 31,5 | 54,2 | 7 100 | 40,2 | 57,3 | 6 300 | 47,3 | 59,1 | 5 500 | 40,0 |
| 42,0 | 24,1 | 50,4 | 6 600 | 34,5 | 54,7 | 5 800 | 42,4 | 57,0 | 5 000 | 42,0 |
| 44,0 | 13,5 | 44,5 | 6 100 | 27,9 | 51,4 | 5 400 | 37,1 | 54,6 | 4 700 | 44,0 |
| 46,0 | | | | 19,4 | 46,8 | 5 000 | 31,0 | 51,7 | 4 300 | 46,0 |
| 48,0 | | | | | | | 23,5 | 47,8 | 4 000 | 48,0 |
| 50,0 | | | | | | | 12,4 | 41,6 | 3 700 | 50,0 |

MLC165 S-1

ASME B30.5



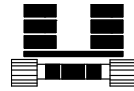
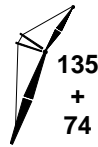
45 130 kg
+
0 kg



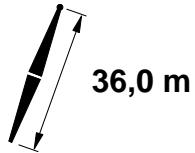
| m | 87° | | | 83° | | | 80° | | | m |
|------|------|------|-----------|------|------|--------|------|------|--------|------|
| | m | m | kg | m | m | kg | m | m | kg | |
| 13,7 | 74,6 | 73,3 | 22 900 *c | | | | | | | 13,7 |
| 14,0 | 74,1 | 73,2 | 22 900 *c | | | | | | | 14,0 |
| 16,0 | 70,8 | 72,5 | 22 300 *c | | | | | | | 16,0 |
| 18,0 | 67,5 | 71,8 | 21 800 *b | | | | | | | 18,0 |
| 20,0 | 64,0 | 70,9 | 21 300 *b | 68,3 | 71,7 | 21 400 | | | | 20,0 |
| 22,0 | 60,5 | 69,8 | 20 400 * | 64,9 | 70,9 | 18 900 | | | | 22,0 |
| 24,0 | 56,8 | 68,6 | 18 100 | 61,4 | 69,8 | 16 800 | 64,7 | 70,5 | 16 000 | 24,0 |
| 26,0 | 53,0 | 67,2 | 16 300 | 57,8 | 68,7 | 15 200 | 61,1 | 69,5 | 14 300 | 26,0 |
| 28,0 | 49,0 | 65,6 | 14 800 | 54,0 | 67,3 | 13 700 | 57,5 | 68,3 | 13 000 | 28,0 |
| 30,0 | 44,7 | 63,7 | 13 500 | 50,0 | 65,7 | 12 500 | 53,7 | 66,9 | 11 800 | 30,0 |
| 32,0 | 40,0 | 61,5 | 12 300 | 45,8 | 63,9 | 11 500 | 49,7 | 65,3 | 10 800 | 32,0 |
| 34,0 | 34,9 | 58,9 | 11 400 | 41,2 | 61,8 | 10 500 | 45,5 | 63,5 | 9 900 | 34,0 |
| 36,0 | 28,9 | 55,7 | 10 500 | 36,2 | 59,3 | 9 700 | 40,9 | 61,4 | 9 100 | 36,0 |
| 38,0 | 21,6 | 51,5 | 9 700 | 30,5 | 56,3 | 9 000 | 35,8 | 58,8 | 8 400 | 38,0 |
| 40,0 | | | | 23,6 | 52,4 | 8 300 | 30,1 | 55,7 | 7 800 | 40,0 |
| 42,0 | | | | 13,8 | 46,5 | 7 700 | 23,1 | 51,7 | 7 200 | 42,0 |
| 44,0 | | | | | | | 12,9 | 45,6 | 6 700 | 44,0 |
| 46,0 | | | | | | | | | | 46,0 |
| 48,0 | | | | | | | | | | 48,0 |
| 50,0 | | | | | | | | | | 50,0 |
| 52,0 | | | | | | | | | | 52,0 |

MLC165 S-1

ASME B30.5



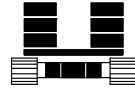
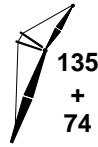
45 130 kg
+
0 kg



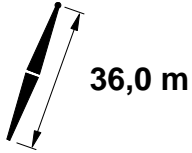
| m | 75° | | | 70° | | | 65° | | | m |
|------|------|------|--------|------|------|-------|------|------|-------|------|
| | m | m | kg | m | m | kg | m | m | kg | |
| 13,7 | | | | | | | | | | 13,7 |
| 14,0 | | | | | | | | | | 14,0 |
| 16,0 | | | | | | | | | | 16,0 |
| 18,0 | | | | | | | | | | 18,0 |
| 20,0 | | | | | | | | | | 20,0 |
| 22,0 | | | | | | | | | | 22,0 |
| 24,0 | | | | | | | | | | 24,0 |
| 26,0 | | | | | | | | | | 26,0 |
| 28,0 | | | | | | | | | | 28,0 |
| 30,0 | 59,4 | 68,2 | 10 600 | | | | | | | 30,0 |
| 32,0 | 55,7 | 66,9 | 9 700 | | | | | | | 32,0 |
| 34,0 | 51,8 | 65,4 | 8 900 | | | | | | | 34,0 |
| 36,0 | 47,7 | 63,7 | 8 200 | 53,8 | 65,2 | 7 200 | | | | 36,0 |
| 38,0 | 43,3 | 61,8 | 7 500 | 49,8 | 63,6 | 6 600 | | | | 38,0 |
| 40,0 | 38,6 | 59,5 | 7 000 | 45,5 | 61,8 | 6 100 | 51,5 | 63,1 | 5 300 | 40,0 |
| 42,0 | 33,2 | 56,7 | 6 500 | 41,0 | 59,7 | 5 700 | 47,4 | 61,4 | 4 900 | 42,0 |
| 44,0 | 27,0 | 53,3 | 6 000 | 35,9 | 57,1 | 5 300 | 43,0 | 59,4 | 4 500 | 44,0 |
| 46,0 | 18,9 | 48,5 | 5 600 | 30,2 | 54,1 | 4 800 | 38,2 | 57,0 | 4 100 | 46,0 |
| 48,0 | | | | 23,2 | 50,1 | 4 500 | 32,8 | 54,2 | 3 800 | 48,0 |
| 50,0 | | | | 13,1 | 44,0 | 4 100 | 26,5 | 50,7 | 3 500 | 50,0 |
| 52,0 | | | | | | | 18,2 | 45,8 | 3 200 | 52,0 |

MLC165 S-1

ASME B30.5



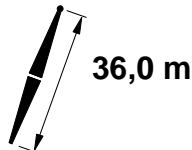
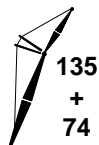
45 130 kg
+
0 kg



| m | 87° | | | 83° | | | 80° | | | m |
|------|------|------|-----------|------|------|----------|------|------|--------|------|
| | m | m | kg | m | m | kg | m | m | kg | |
| 15,2 | 73,5 | 76,0 | 21 200 *c | | | | | | | 15,2 |
| 16,0 | 72,4 | 75,8 | 21 000 *c | | | | | | | 16,0 |
| 18,0 | 69,3 | 75,1 | 20 600 *b | | | | | | | 18,0 |
| 20,0 | 66,2 | 74,2 | 20 100 *b | 70,1 | 75,0 | 20 700 * | | | | 20,0 |
| 22,0 | 63,0 | 73,3 | 19 600 * | 67,0 | 74,2 | 18 900 | | | | 22,0 |
| 24,0 | 59,7 | 72,2 | 18 100 | 63,8 | 73,3 | 16 800 | | | | 24,0 |
| 26,0 | 56,3 | 70,9 | 16 200 | 60,5 | 72,2 | 15 100 | 63,5 | 72,9 | 14 200 | 26,0 |
| 28,0 | 52,7 | 69,5 | 14 700 | 57,1 | 71,0 | 13 600 | 60,3 | 71,8 | 12 800 | 28,0 |
| 30,0 | 49,0 | 67,9 | 13 400 | 53,6 | 69,6 | 12 400 | 56,9 | 70,6 | 11 700 | 30,0 |
| 32,0 | 45,0 | 66,0 | 12 300 | 49,9 | 68,0 | 11 400 | 53,3 | 69,2 | 10 700 | 32,0 |
| 34,0 | 40,8 | 63,9 | 11 300 | 46,0 | 66,2 | 10 400 | 49,7 | 67,6 | 9 800 | 34,0 |
| 36,0 | 36,1 | 61,4 | 10 400 | 41,9 | 64,2 | 9 600 | 45,7 | 65,8 | 9 000 | 36,0 |
| 38,0 | 30,9 | 58,3 | 9 600 | 37,3 | 61,8 | 8 900 | 41,5 | 63,7 | 8 300 | 38,0 |
| 40,0 | 24,7 | 54,5 | 8 900 | 32,2 | 58,9 | 8 300 | 37,0 | 61,3 | 7 700 | 40,0 |
| 42,0 | 16,4 | 49,2 | 8 300 | 26,3 | 55,3 | 7 700 | 31,9 | 58,3 | 7 200 | 42,0 |
| 44,0 | | | | 18,8 | 50,5 | 7 100 | 25,9 | 54,7 | 6 700 | 44,0 |
| 46,0 | | | | | | | 18,1 | 49,8 | 6 200 | 46,0 |
| 48,0 | | | | | | | | | | 48,0 |
| 50,0 | | | | | | | | | | 50,0 |
| 52,0 | | | | | | | | | | 52,0 |

MLC165 S-1

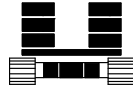
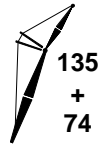
ASME B30.5



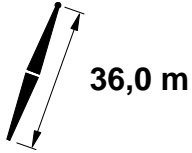
| m | 75° | | | 70° | | | m |
|------|------|------|-------|------|------|-------|------|
| | m | m | kg | m | m | kg | |
| 15,2 | | | | | | | 15,2 |
| 16,0 | | | | | | | 16,0 |
| 18,0 | | | | | | | 18,0 |
| 20,0 | | | | | | | 20,0 |
| 22,0 | | | | | | | 22,0 |
| 24,0 | | | | | | | 24,0 |
| 26,0 | | | | | | | 26,0 |
| 28,0 | | | | | | | 28,0 |
| 30,0 | | | | | | | 30,0 |
| 32,0 | 58,7 | 70,5 | 9 600 | | | | 32,0 |
| 34,0 | 55,2 | 69,2 | 8 800 | | | | 34,0 |
| 36,0 | 51,6 | 67,7 | 8 000 | | | | 36,0 |
| 38,0 | 47,8 | 66,0 | 7 400 | 53,4 | 67,5 | 6 500 | 38,0 |
| 40,0 | 43,8 | 64,1 | 6 900 | 49,7 | 65,9 | 6 000 | 40,0 |
| 42,0 | 39,4 | 61,9 | 6 400 | 45,8 | 64,1 | 5 600 | 42,0 |
| 44,0 | 34,6 | 59,2 | 5 900 | 41,6 | 62,0 | 5 100 | 44,0 |
| 46,0 | 29,2 | 56,0 | 5 500 | 37,0 | 59,6 | 4 800 | 46,0 |
| 48,0 | 22,5 | 51,9 | 5 100 | 31,9 | 56,6 | 4 400 | 48,0 |
| 50,0 | 13,0 | 45,6 | 4 700 | 26,0 | 53,0 | 4 100 | 50,0 |
| 52,0 | | | | 18,3 | 48,1 | 3 800 | 52,0 |




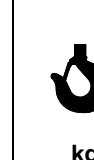

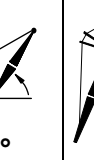




MLC165 S-1

ASME B30.5



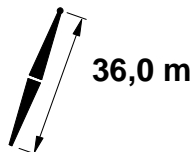
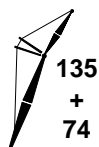
45 130 kg
+
0 kg



| | 87° | | | 83° | | | 80° | | | | |
|------|---|---|---|--|---|--|---|--|--|--|--|
| |  m |  m |  m |  kg |  m |  kg |  m |  kg |  m | |  kg |
| 15,2 | 74,7 | 79,2 | 19 800 *c | | | | | | | | 15,2 |
| 16,0 | 73,7 | 78,9 | 19 700 *c | | | | | | | | 16,0 |
| 18,0 | 70,8 | 78,3 | 19 200 *b | | | | | | | | 18,0 |
| 20,0 | 68,0 | 77,6 | 18 800 *b | | | | | | | | 20,0 |
| 22,0 | 65,0 | 76,7 | 18 500 * | 68,7 | 77,5 | 18 500 * | | | | | 22,0 |
| 24,0 | 62,0 | 75,7 | 17 800 | 65,8 | 76,6 | 16 600 | | | | | 24,0 |
| 26,0 | 58,9 | 74,6 | 16 100 | 62,8 | 75,7 | 14 900 | 65,6 | 76,3 | 14 000 | | 26,0 |
| 28,0 | 55,8 | 73,3 | 14 600 | 59,7 | 74,6 | 13 500 | 62,6 | 75,3 | 12 700 | | 28,0 |
| 30,0 | 52,4 | 71,8 | 13 300 | 56,6 | 73,3 | 12 300 | 59,5 | 74,2 | 11 500 | | 30,0 |
| 32,0 | 49,0 | 70,2 | 12 200 | 53,3 | 71,9 | 11 200 | 56,3 | 72,9 | 10 500 | | 32,0 |
| 34,0 | 45,3 | 68,3 | 11 200 | 49,9 | 70,3 | 10 300 | 53,0 | 71,5 | 9 600 | | 34,0 |
| 36,0 | 41,4 | 66,2 | 10 300 | 46,2 | 68,6 | 9 500 | 49,6 | 69,9 | 8 900 | | 36,0 |
| 38,0 | 37,2 | 63,8 | 9 600 | 42,4 | 66,5 | 8 800 | 46,0 | 68,1 | 8 200 | | 38,0 |
| 40,0 | 32,4 | 60,9 | 8 800 | 38,2 | 64,1 | 8 100 | 42,1 | 66,0 | 7 600 | | 40,0 |
| 42,0 | 27,0 | 57,4 | 8 200 | 33,7 | 61,4 | 7 600 | 37,9 | 63,7 | 7 100 | | 42,0 |
| 44,0 | 20,3 | 52,8 | 7 700 | 28,5 | 58,1 | 7 000 | 33,3 | 60,9 | 6 500 | | 44,0 |
| 46,0 | | | | 22,2 | 53,8 | 6 600 | 28,1 | 57,5 | 6 100 | | 46,0 |
| 48,0 | | | | 13,4 | 47,6 | 6 100 | 21,7 | 53,2 | 5 700 | | 48,0 |
| 50,0 | | | | | | | 12,5 | 46,7 | 5 300 | | 50,0 |
| 52,0 | | | | | | | | | | | 52,0 |
| 54,0 | | | | | | | | | | | 54,0 |
| 56,0 | | | | | | | | | | | 56,0 |

MLC165 S-1

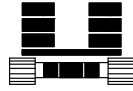
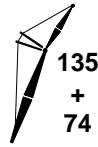
ASME B30.5



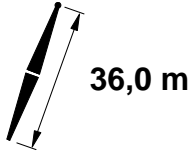
| m | 75° | | | 70° | | | m |
|------|------|------|-------|------|------|-------|------|
| | m | m | kg | m | m | kg | |
| 15,2 | | | | | | | 15,2 |
| 16,0 | | | | | | | 16,0 |
| 18,0 | | | | | | | 18,0 |
| 20,0 | | | | | | | 20,0 |
| 22,0 | | | | | | | 22,0 |
| 24,0 | | | | | | | 24,0 |
| 26,0 | | | | | | | 26,0 |
| 28,0 | | | | | | | 28,0 |
| 30,0 | | | | | | | 30,0 |
| 32,0 | 61,1 | 74,0 | 9 400 | | | | 32,0 |
| 34,0 | 58,0 | 72,9 | 8 600 | | | | 34,0 |
| 36,0 | 54,8 | 71,5 | 7 900 | | | | 36,0 |
| 38,0 | 51,4 | 70,0 | 7 300 | | | | 38,0 |
| 40,0 | 47,9 | 68,3 | 6 700 | 53,1 | 69,8 | 5 800 | 40,0 |
| 42,0 | 44,2 | 66,4 | 6 200 | 49,7 | 68,2 | 5 400 | 42,0 |
| 44,0 | 40,2 | 64,2 | 5 700 | 46,0 | 66,4 | 5 000 | 44,0 |
| 46,0 | 35,8 | 61,7 | 5 300 | 42,2 | 64,3 | 4 600 | 46,0 |
| 48,0 | 30,9 | 58,6 | 4 900 | 38,0 | 62,0 | 4 200 | 48,0 |
| 50,0 | 25,2 | 54,9 | 4 600 | 33,4 | 59,2 | 3 900 | 50,0 |
| 52,0 | 17,9 | 49,8 | 4 300 | 28,1 | 55,8 | 3 600 | 52,0 |
| 54,0 | | | | 21,8 | 51,5 | 3 300 | 54,0 |
| 56,0 | | | | 12,7 | 45,1 | 3 100 | 56,0 |




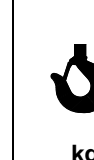

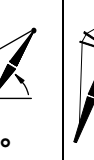



MLC165 S-1

ASME B30.5



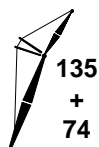
45 130 kg
+
0 kg



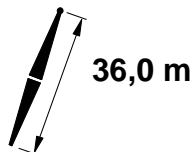
| | 87° | | | 83° | | | 80° | | | |
|------|---|---|---|--|---|--|---|--|--|------|
| |  m |  m |  m |  kg |  m |  kg |  m |  kg |  m | |
| 16,8 | 73,8 | 81,9 | 18 200 *b | | | | | | | 16,8 |
| 18,0 | 72,2 | 81,5 | 18 000 *b | | | | | | | 18,0 |
| 20,0 | 69,5 | 80,8 | 17 600 *b | | | | | | | 20,0 |
| 22,0 | 66,8 | 80,0 | 17 200 * | | | | | | | 22,0 |
| 24,0 | 64,0 | 79,1 | 16 400 * | 67,5 | 80,0 | 16 500 | | | | 24,0 |
| 26,0 | 61,2 | 78,1 | 15 600 * | 64,7 | 79,1 | 14 800 | 67,3 | 79,6 | 14 000 | 26,0 |
| 28,0 | 58,3 | 76,9 | 14 600 | 61,9 | 78,1 | 13 400 | 64,5 | 78,7 | 12 600 | 28,0 |
| 30,0 | 55,3 | 75,6 | 13 200 | 59,1 | 76,9 | 12 200 | 61,7 | 77,7 | 11 500 | 30,0 |
| 32,0 | 52,2 | 74,1 | 12 100 | 56,1 | 75,7 | 11 200 | 58,8 | 76,5 | 10 500 | 32,0 |
| 34,0 | 49,0 | 72,5 | 11 100 | 53,0 | 74,2 | 10 300 | 55,9 | 75,3 | 9 600 | 34,0 |
| 36,0 | 45,6 | 70,6 | 10 300 | 49,8 | 72,7 | 9 500 | 52,8 | 73,8 | 8 900 | 36,0 |
| 38,0 | 41,9 | 68,6 | 9 500 | 46,4 | 70,9 | 8 700 | 49,6 | 72,2 | 8 200 | 38,0 |
| 40,0 | 38,0 | 66,2 | 8 800 | 42,9 | 68,8 | 8 100 | 46,2 | 70,4 | 7 600 | 40,0 |
| 42,0 | 33,8 | 63,4 | 8 200 | 39,0 | 66,5 | 7 500 | 42,6 | 68,4 | 7 000 | 42,0 |
| 44,0 | 28,9 | 60,1 | 7 700 | 34,9 | 63,9 | 7 000 | 38,8 | 66,0 | 6 500 | 44,0 |
| 46,0 | 23,2 | 56,0 | 7 100 | 30,2 | 60,7 | 6 500 | 34,6 | 63,3 | 6 100 | 46,0 |
| 48,0 | 15,7 | 50,4 | 6 700 | 24,8 | 56,9 | 6 100 | 29,8 | 60,2 | 5 600 | 48,0 |
| 50,0 | | | | 17,9 | 51,8 | 5 700 | 24,3 | 56,3 | 5 300 | 50,0 |
| 52,0 | | | | | | | 17,3 | 51,0 | 4 900 | 52,0 |
| 54,0 | | | | | | | | | | 54,0 |
| 56,0 | | | | | | | | | | 56,0 |
| 58,0 | | | | | | | | | | 58,0 |

MLC165 S-1

ASME B30.5



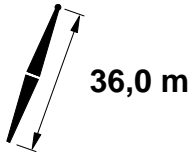
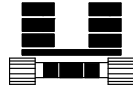
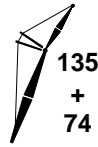
45 130 kg
+
0 kg



| m | 75° | | | 70° | | | m |
|------|------|------|-------|------|------|-------|------|
| | m | m | kg | m | m | kg | |
| 16,8 | | | | | | | 16,8 |
| 18,0 | | | | | | | 18,0 |
| 20,0 | | | | | | | 20,0 |
| 22,0 | | | | | | | 22,0 |
| 24,0 | | | | | | | 24,0 |
| 26,0 | | | | | | | 26,0 |
| 28,0 | | | | | | | 28,0 |
| 30,0 | | | | | | | 30,0 |
| 32,0 | | | | | | | 32,0 |
| 34,0 | 60,4 | 76,4 | 8 500 | | | | 34,0 |
| 36,0 | 57,4 | 75,2 | 7 800 | | | | 36,0 |
| 38,0 | 54,4 | 73,9 | 7 200 | | | | 38,0 |
| 40,0 | 51,3 | 72,3 | 6 700 | 55,9 | 73,5 | 5 800 | 40,0 |
| 42,0 | 48,0 | 70,6 | 6 200 | 52,8 | 72,1 | 5 300 | 42,0 |
| 44,0 | 44,5 | 68,7 | 5 700 | 49,6 | 70,5 | 4 900 | 44,0 |
| 46,0 | 40,8 | 66,6 | 5 300 | 46,2 | 68,7 | 4 500 | 46,0 |
| 48,0 | 36,8 | 64,1 | 4 900 | 42,7 | 66,7 | 4 200 | 48,0 |
| 50,0 | 32,4 | 61,2 | 4 600 | 38,8 | 64,3 | 3 900 | 50,0 |
| 52,0 | 27,4 | 57,7 | 4 200 | 34,6 | 61,7 | 3 600 | 52,0 |
| 54,0 | 21,3 | 53,3 | 3 900 | 29,9 | 58,5 | 3 300 | 54,0 |
| 56,0 | 12,7 | 46,7 | 3 600 | 24,4 | 54,6 | 3 100 | 56,0 |
| 58,0 | | | | 17,4 | 49,4 | 2 800 | 58,0 |

MLC165 S-1

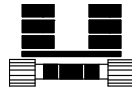
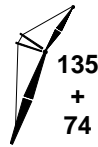
ASME B30.5



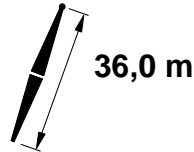
| m | 87° | | | 83° | | | 80° | | | m |
|------|------|------|-----------|------|------|----------|------|------|--------|------|
| | m | m | kg | m | m | kg | m | m | kg | |
| 16,8 | 74,8 | 85,1 | 17 000 *b | | | | | | | 16,8 |
| 18,0 | 73,3 | 84,7 | 16 700 *b | | | | | | | 18,0 |
| 20,0 | 70,8 | 84,1 | 16 400 *b | | | | | | | 20,0 |
| 22,0 | 68,3 | 83,3 | 15 700 * | | | | | | | 22,0 |
| 24,0 | 65,8 | 82,5 | 14 900 * | 69,0 | 83,2 | 15 900 * | | | | 24,0 |
| 26,0 | 63,2 | 81,5 | 14 200 * | 66,4 | 82,4 | 14 700 | | | | 26,0 |
| 28,0 | 60,5 | 80,4 | 13 300 * | 63,8 | 81,5 | 13 300 | 66,2 | 82,1 | 12 500 | 28,0 |
| 30,0 | 57,8 | 79,3 | 12 600 * | 61,2 | 80,5 | 12 100 | 63,6 | 81,1 | 11 300 | 30,0 |
| 32,0 | 54,9 | 77,9 | 11 900 * | 58,5 | 79,3 | 11 100 | 61,0 | 80,1 | 10 300 | 32,0 |
| 34,0 | 52,0 | 76,4 | 11 000 | 55,7 | 78,0 | 10 100 | 58,3 | 78,9 | 9 500 | 34,0 |
| 36,0 | 49,0 | 74,8 | 10 200 | 52,8 | 76,6 | 9 300 | 55,5 | 77,6 | 8 700 | 36,0 |
| 38,0 | 45,8 | 72,9 | 9 400 | 49,7 | 75,0 | 8 600 | 52,5 | 76,1 | 8 000 | 38,0 |
| 40,0 | 42,4 | 70,9 | 8 700 | 46,6 | 73,2 | 8 000 | 49,5 | 74,5 | 7 400 | 40,0 |
| 42,0 | 38,8 | 68,6 | 8 100 | 43,3 | 71,2 | 7 400 | 46,4 | 72,7 | 6 900 | 42,0 |
| 44,0 | 34,9 | 65,9 | 7 500 | 39,7 | 68,9 | 6 900 | 43,0 | 70,7 | 6 400 | 44,0 |
| 46,0 | 30,5 | 62,8 | 7 100 | 35,9 | 66,3 | 6 400 | 39,5 | 68,4 | 5 900 | 46,0 |
| 48,0 | 25,5 | 59,0 | 6 600 | 31,7 | 63,3 | 6 000 | 35,6 | 65,8 | 5 500 | 48,0 |
| 50,0 | 19,4 | 54,2 | 6 100 | 26,8 | 59,8 | 5 600 | 31,3 | 62,8 | 5 100 | 50,0 |
| 52,0 | | | | 21,1 | 55,2 | 5 200 | 26,5 | 59,2 | 4 800 | 52,0 |
| 54,0 | | | | 13,0 | 48,7 | 4 800 | 20,6 | 54,6 | 4 500 | 54,0 |
| 56,0 | | | | | | | 12,3 | 47,8 | 4 100 | 56,0 |
| 58,0 | | | | | | | | | | 58,0 |

MLC165 S-1

ASME B30.5



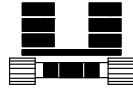
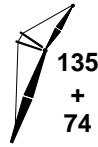
45 130 kg
+
0 kg



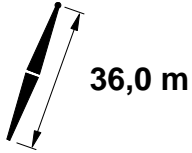
| | | 75° | |
|------|------|------|-------|
| | | | |
| | m | m | kg |
| 16,8 | | | |
| 18,0 | | | |
| 20,0 | | | |
| 22,0 | | | |
| 24,0 | | | |
| 26,0 | | | |
| 28,0 | | | |
| 30,0 | | | |
| 32,0 | | | |
| 34,0 | | | |
| 36,0 | 59,7 | 78,8 | 7 700 |
| 38,0 | 56,9 | 77,6 | 7 100 |
| 40,0 | 54,1 | 76,2 | 6 500 |
| 42,0 | 51,1 | 74,7 | 6 000 |
| 44,0 | 48,0 | 72,9 | 5 600 |
| 46,0 | 44,8 | 71,0 | 5 200 |
| 48,0 | 41,4 | 68,9 | 4 800 |
| 50,0 | 37,7 | 66,5 | 4 400 |
| 52,0 | 33,6 | 63,7 | 4 100 |
| 54,0 | 29,1 | 60,4 | 3 800 |
| 56,0 | 23,9 | 56,4 | 3 600 |
| 58,0 | 17,1 | 51,1 | 3 300 |

MLC165 S-1

ASME B30.5



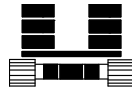
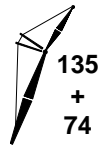
45 130 kg
+
0 kg



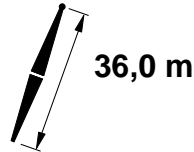
| m | 87° | | | 83° | | | 80° | | | m |
|------|------|------|-----------|------|------|----------|------|------|--------|------|
| | m | m | kg | m | m | kg | m | m | kg | |
| 18,3 | 74,0 | 87,8 | 15 300 *b | | | | | | | 18,3 |
| 20,0 | 72,0 | 87,3 | 15 000 *b | | | | | | | 20,0 |
| 22,0 | 69,7 | 86,6 | 14 500 * | | | | | | | 22,0 |
| 24,0 | 67,3 | 85,8 | 13 700 * | | | | | | | 24,0 |
| 26,0 | 64,9 | 84,9 | 12 900 * | 67,9 | 85,7 | 13 900 * | | | | 26,0 |
| 28,0 | 62,4 | 83,9 | 12 200 * | 65,5 | 84,9 | 13 100 * | | | | 28,0 |
| 30,0 | 59,9 | 82,8 | 11 500 * | 63,0 | 83,9 | 12 000 | 65,3 | 84,5 | 11 200 | 30,0 |
| 32,0 | 57,3 | 81,6 | 10 800 * | 60,5 | 82,8 | 10 900 | 62,8 | 83,5 | 10 200 | 32,0 |
| 34,0 | 54,6 | 80,2 | 10 100 * | 57,9 | 81,6 | 10 000 | 60,3 | 82,4 | 9 400 | 34,0 |
| 36,0 | 51,8 | 78,7 | 9 500 * | 55,3 | 80,3 | 9 200 | 57,7 | 81,2 | 8 600 | 36,0 |
| 38,0 | 49,0 | 77,1 | 8 900 * | 52,5 | 78,9 | 8 500 | 55,1 | 79,9 | 7 900 | 38,0 |
| 40,0 | 46,0 | 75,3 | 8 300 * | 49,7 | 77,3 | 7 900 | 52,3 | 78,4 | 7 300 | 40,0 |
| 42,0 | 42,8 | 73,2 | 7 700 * | 46,7 | 75,5 | 7 300 | 49,5 | 76,8 | 6 800 | 42,0 |
| 44,0 | 39,4 | 70,9 | 7 300 * | 43,6 | 73,5 | 6 800 | 46,5 | 75,0 | 6 300 | 44,0 |
| 46,0 | 35,8 | 68,3 | 6 700 * | 40,3 | 71,3 | 6 300 | 43,4 | 73,0 | 5 800 | 46,0 |
| 48,0 | 31,9 | 65,3 | 6 200 * | 36,8 | 68,7 | 5 900 | 40,1 | 70,8 | 5 400 | 48,0 |
| 50,0 | 27,4 | 61,8 | 5 700 * | 32,9 | 65,9 | 5 500 | 36,5 | 68,2 | 5 000 | 50,0 |
| 52,0 | 22,1 | 57,5 | 5 200 * | 28,6 | 62,5 | 5 100 | 32,6 | 65,3 | 4 700 | 52,0 |
| 54,0 | 15,2 | 51,6 | 4 700 * | 23,5 | 58,4 | 4 800 | 28,2 | 61,9 | 4 400 | 54,0 |
| 56,0 | | | | 17,1 | 53,0 | 4 400 | 23,1 | 57,8 | 4 100 | 56,0 |
| 58,0 | | | | | | | 16,6 | 52,2 | 3 800 | 58,0 |
| 60,0 | | | | | | | | | | 60,0 |
| 62,0 | | | | | | | | | | 62,0 |

MLC165 S-1

ASME B30.5



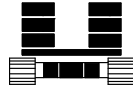
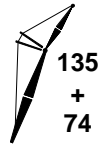
45 130 kg
+
0 kg



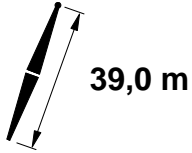
| | | 75° | |
|------|------|------|-------|
| m | o | m | kg |
| 18,3 | | | |
| 20,0 | | | |
| 22,0 | | | |
| 24,0 | | | |
| 26,0 | | | |
| 28,0 | | | |
| 30,0 | | | |
| 32,0 | | | |
| 34,0 | | | |
| 36,0 | 61,7 | 82,3 | 7 600 |
| 38,0 | 59,1 | 81,1 | 7 000 |
| 40,0 | 56,5 | 79,9 | 6 400 |
| 42,0 | 53,8 | 78,5 | 5 900 |
| 44,0 | 51,0 | 77,0 | 5 400 |
| 46,0 | 48,1 | 75,2 | 5 000 |
| 48,0 | 45,1 | 73,4 | 4 700 |
| 50,0 | 41,8 | 71,2 | 4 300 |
| 52,0 | 38,4 | 68,9 | 4 000 |
| 54,0 | 34,7 | 66,2 | 3 700 |
| 56,0 | 30,6 | 63,1 | 3 400 |
| 58,0 | 25,9 | 59,3 | 3 200 |
| 60,0 | 20,3 | 54,6 | 3 000 |
| 62,0 | 12,4 | 47,8 | 2 700 |




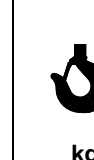

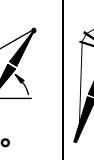




MLC165 S-1

ASME B30.5



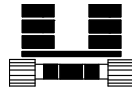
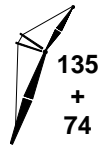
45 130 kg
+
0 kg



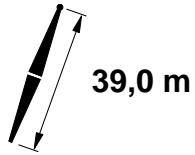
| | 87° | | | 83° | | | 80° | | | | |
|------|---|---|---|--|---|--|---|--|--|--|--|
| |  m |  m |  m |  kg |  m |  kg |  m |  kg |  m | |  kg |
| 9,8 | 74,8 | 61,6 | 40 700 *d | | | | | | | | 9,8 |
| 10,0 | 74,1 | 61,5 | 40 700 *d | | | | | | | | 10,0 |
| 12,0 | 68,4 | 60,8 | 40 700 *c | | | | | | | | 12,0 |
| 14,0 | 62,5 | 59,9 | 37 100 *c | | | | | | | | 14,0 |
| 16,0 | 56,2 | 58,8 | 31 200 c | 64,6 | 60,0 | 29 200 c | | | | | 16,0 |
| 18,0 | 49,5 | 57,2 | 26 700 b | 58,5 | 58,9 | 24 900 b | | | | | 18,0 |
| 20,0 | 42,0 | 55,3 | 23 300 b | 52,0 | 57,5 | 21 800 b | 58,6 | 58,6 | 20 600 b | | 20,0 |
| 22,0 | 33,2 | 52,7 | 20 600 | 44,8 | 55,8 | 19 200 | 52,0 | 57,2 | 18 200 b | | 22,0 |
| 24,0 | 21,5 | 48,8 | 18 400 | 36,5 | 53,4 | 17 200 | 44,8 | 55,4 | 16 300 | | 24,0 |
| 26,0 | | | | 26,2 | 50,1 | 15 400 | 36,6 | 53,1 | 14 600 | | 26,0 |
| 28,0 | | | | | | | 26,3 | 49,8 | 13 200 | | 28,0 |
| 30,0 | | | | | | | | | | | 30,0 |
| 32,0 | | | | | | | | | | | 32,0 |
| 34,0 | | | | | | | | | | | 34,0 |
| 36,0 | | | | | | | | | | | 36,0 |
| 38,0 | | | | | | | | | | | 38,0 |

MLC165 S-1

ASME B30.5



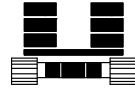
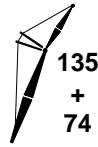
45 130 kg
+
0 kg



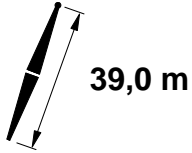
| | 75° | | | 70° | | | 65° | | | |
|------|------|------|----------|------|------|----------|------|------|-------|------|
| | | | | | | | | | | |
| m | m | m | kg | m | m | kg | m | m | kg | m |
| 9,8 | | | | | | | | | | 9,8 |
| 10,0 | | | | | | | | | | 10,0 |
| 12,0 | | | | | | | | | | 12,0 |
| 14,0 | | | | | | | | | | 14,0 |
| 16,0 | | | | | | | | | | 16,0 |
| 18,0 | | | | | | | | | | 18,0 |
| 20,0 | | | | | | | | | | 20,0 |
| 22,0 | | | | | | | | | | 22,0 |
| 24,0 | 56,4 | 57,4 | 14 700 b | | | | | | | 24,0 |
| 26,0 | 49,6 | 55,8 | 13 200 | | | | | | | 26,0 |
| 28,0 | 42,1 | 53,9 | 12 000 | 53,8 | 55,7 | 10 700 b | | | | 28,0 |
| 30,0 | 33,4 | 51,3 | 10 900 | 46,8 | 54,1 | 9 700 | | | | 30,0 |
| 32,0 | 21,7 | 47,5 | 9 900 | 39,0 | 51,9 | 8 800 | 50,8 | 53,7 | 7 800 | 32,0 |
| 34,0 | | | | 29,4 | 49,0 | 8 100 | 43,5 | 51,8 | 7 100 | 34,0 |
| 36,0 | | | | 15,2 | 44,1 | 7 400 | 35,0 | 49,4 | 6 500 | 36,0 |
| 38,0 | | | | | | | 24,1 | 45,9 | 6 000 | 38,0 |









MLC165 S-1

ASME B30.5



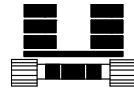
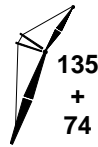
45 130 kg
+
0 kg



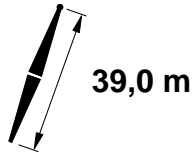
| | 87° | | | 83° | | | 80° | | | |
|------|---|---|--|---|--|--|--|---|----------|------|
| |  m |  m |  kg |  m |  kg |  m |  kg |  m | | |
| 11,0 | 73,7 | 64,4 | 37 200 *d | | | | | | 11,0 | |
| 12,0 | 71,2 | 64,1 | 37 200 *d | | | | | | 12,0 | |
| 14,0 | 66,2 | 63,3 | 35 600 *c | | | | | | 14,0 | |
| 16,0 | 60,9 | 62,3 | 31 200 c | 68,0 | 63,3 | 29 000 c | | | 16,0 | |
| 18,0 | 55,4 | 61,1 | 26 600 b | 62,8 | 62,4 | 24 800 b | | | 18,0 | |
| 20,0 | 49,4 | 59,5 | 23 200 b | 57,4 | 61,3 | 21 600 b | 62,8 | 62,1 | 20 400 b | 20,0 |
| 22,0 | 42,9 | 57,6 | 20 500 | 51,6 | 59,8 | 19 100 | 57,4 | 60,9 | 18 000 b | 22,0 |
| 24,0 | 35,5 | 55,2 | 18 300 | 45,3 | 58,1 | 17 100 | 51,6 | 59,5 | 16 100 | 24,0 |
| 26,0 | 26,3 | 51,8 | 16 500 | 38,3 | 55,8 | 15 300 | 45,4 | 57,7 | 14 500 | 26,0 |
| 28,0 | | | | 29,9 | 52,9 | 13 900 | 38,3 | 55,5 | 13 100 | 28,0 |
| 30,0 | | | | 18,3 | 48,4 | 12 700 | 29,9 | 52,6 | 12 000 | 30,0 |
| 32,0 | | | | | | | 18,5 | 48,1 | 10 900 | 32,0 |
| 34,0 | | | | | | | | | | 34,0 |
| 36,0 | | | | | | | | | | 36,0 |
| 38,0 | | | | | | | | | | 38,0 |
| 40,0 | | | | | | | | | | 40,0 |
| 42,0 | | | | | | | | | | 42,0 |


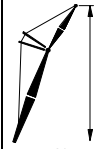


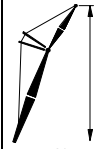


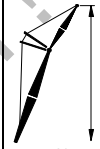

MLC165 S-1

ASME B30.5



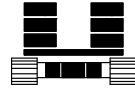
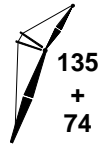
45 130 kg
+
0 kg



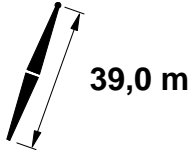
| | 75° | | | 70° | | | 65° | | | |
|------|---|---|--|---|---|--|---|---|--|------|
| |  m |  m |  kg |  m |  m |  kg |  m |  m |  kg | |
| 11,0 | | | | | | | | | | 11,0 |
| 12,0 | | | | | | | | | | 12,0 |
| 14,0 | | | | | | | | | | 14,0 |
| 16,0 | | | | | | | | | | 16,0 |
| 18,0 | | | | | | | | | | 18,0 |
| 20,0 | | | | | | | | | | 20,0 |
| 22,0 | | | | | | | | | | 22,0 |
| 24,0 | | | | | | | | | | 24,0 |
| 26,0 | 55,5 | 59,7 | 13 000 | | | | | | | 26,0 |
| 28,0 | 49,5 | 58,1 | 11 800 | | | | | | | 28,0 |
| 30,0 | 43,0 | 56,2 | 10 800 | 53,2 | 58,0 | 9 500 | | | | 30,0 |
| 32,0 | 35,6 | 53,8 | 9 800 | 47,1 | 56,4 | 8 700 | | | | 32,0 |
| 34,0 | 26,5 | 50,5 | 9 000 | 40,3 | 54,3 | 8 000 | 50,6 | 56,0 | 6 900 | 34,0 |
| 36,0 | | | | 32,4 | 51,6 | 7 300 | 44,2 | 54,2 | 6 400 | 36,0 |
| 38,0 | | | | 22,1 | 47,7 | 6 700 | 37,0 | 51,8 | 5 800 | 38,0 |
| 40,0 | | | | | | | 28,3 | 48,7 | 5 400 | 40,0 |
| 42,0 | | | | | | | 15,7 | 43,8 | 4 900 | 42,0 |

MLC165 S-1

ASME B30.5



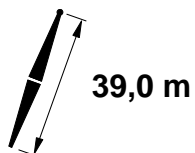
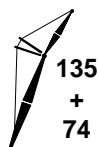
45 130 kg
+
0 kg

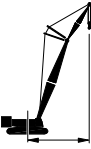


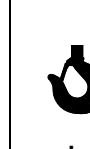
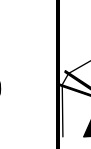
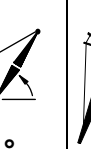
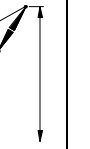




| | 87° | | | 83° | | | 80° | | | |
|------|------|------|-----------|------|------|----------|------|------|----------|------|
| | m | m | kg | m | m | kg | m | m | kg | |
| 11,6 | 74,3 | 67,4 | 34 000 *d | | | | | | | 11,6 |
| 12,0 | 73,4 | 67,3 | 34 000 *d | | | | | | | 12,0 |
| 14,0 | 68,9 | 66,6 | 33 700 *c | | | | | | | 14,0 |
| 16,0 | 64,4 | 65,8 | 31 200 *c | | | | | | | 16,0 |
| 18,0 | 59,7 | 64,7 | 26 500 b | 66,0 | 65,8 | 24 800 b | | | | 18,0 |
| 20,0 | 54,7 | 63,4 | 23 200 b | 61,4 | 64,8 | 21 500 b | 66,1 | 65,5 | 20 400 b | 20,0 |
| 22,0 | 49,4 | 61,8 | 20 500 | 56,5 | 63,6 | 19 000 | 61,4 | 64,5 | 17 900 b | 22,0 |
| 24,0 | 43,6 | 59,9 | 18 300 | 51,3 | 62,1 | 17 000 | 56,5 | 63,3 | 16 000 | 24,0 |
| 26,0 | 37,2 | 57,6 | 16 500 | 45,7 | 60,4 | 15 300 | 51,4 | 61,8 | 14 400 | 26,0 |
| 28,0 | 29,6 | 54,6 | 15 000 | 39,6 | 58,2 | 13 900 | 45,8 | 60,1 | 13 100 | 28,0 |
| 30,0 | 19,5 | 50,2 | 13 600 | 32,5 | 55,5 | 12 600 | 39,6 | 57,9 | 11 900 | 30,0 |
| 32,0 | | | | 23,6 | 51,7 | 11 600 | 32,5 | 55,1 | 10 900 | 32,0 |
| 34,0 | | | | | | | 23,6 | 51,4 | 10 000 | 34,0 |
| 36,0 | | | | | | | | | | 36,0 |
| 38,0 | | | | | | | | | | 38,0 |
| 40,0 | | | | | | | | | | 40,0 |
| 42,0 | | | | | | | | | | 42,0 |
| 44,0 | | | | | | | | | | 44,0 |

MLC165 S-1

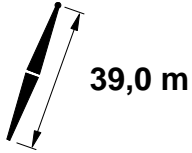
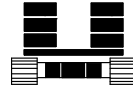
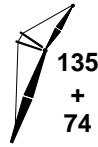
ASME B30.5



| | 75° | | | 70° | | | 65° | | | |
|------|---|---|--|---|---|--|---|--|--|------|
| |  m |  m |  kg |  m |  m |  kg |  m |  m |  kg | |
| 11,6 | | | | | | | | | | 11,6 |
| 12,0 | | | | | | | | | | 12,0 |
| 14,0 | | | | | | | | | | 14,0 |
| 16,0 | | | | | | | | | | 16,0 |
| 18,0 | | | | | | | | | | 18,0 |
| 20,0 | | | | | | | | | | 20,0 |
| 22,0 | | | | | | | | | | 22,0 |
| 24,0 | | | | | | | | | | 24,0 |
| 26,0 | 59,7 | 63,3 | 12 900 | | | | | | | 26,0 |
| 28,0 | 54,8 | 62,0 | 11 700 | | | | | | | 28,0 |
| 30,0 | 49,5 | 60,4 | 10 600 | | | | | | | 30,0 |
| 32,0 | 43,7 | 58,6 | 9 700 | 52,8 | 60,4 | 8 600 | | | | 32,0 |
| 34,0 | 37,3 | 56,2 | 8 900 | 47,3 | 58,7 | 7 900 | | | | 34,0 |
| 36,0 | 29,7 | 53,2 | 8 200 | 41,4 | 56,6 | 7 200 | 50,4 | 58,3 | 6 300 | 36,0 |
| 38,0 | 19,7 | 48,9 | 7 600 | 34,6 | 54,1 | 6 600 | 44,8 | 56,5 | 5 700 | 38,0 |
| 40,0 | | | | 26,3 | 50,7 | 6 100 | 38,5 | 54,2 | 5 300 | 40,0 |
| 42,0 | | | | 14,2 | 45,2 | 5 600 | 31,2 | 51,4 | 4 900 | 42,0 |
| 44,0 | | | | | | | 21,8 | 47,3 | 4 500 | 44,0 |

MLC165 S-1

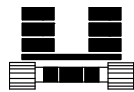
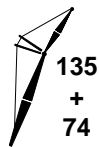
ASME B30.5



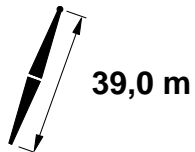
| m | 87° | | | 83° | | | 80° | | | m |
|------|------|------|-----------|------|------|----------|------|------|----------|------|
| | m | m | kg | m | m | kg | m | m | kg | |
| 12,2 | 74,7 | 70,4 | 31 300 *d | | | | | | | 12,2 |
| 14,0 | 71,1 | 69,9 | 31 100 *c | | | | | | | 14,0 |
| 16,0 | 67,1 | 69,1 | 30 200 *c | | | | | | | 16,0 |
| 18,0 | 63,0 | 68,2 | 26 600 b | | | | | | | 18,0 |
| 20,0 | 58,7 | 67,0 | 23 100 b | 64,5 | 68,2 | 21 400 b | | | | 20,0 |
| 22,0 | 54,1 | 65,7 | 20 300 | 60,2 | 67,2 | 18 900 | 64,5 | 67,9 | 17 800 b | 22,0 |
| 24,0 | 49,4 | 64,1 | 18 200 | 55,8 | 65,9 | 16 900 | 60,2 | 66,8 | 15 800 | 24,0 |
| 26,0 | 44,2 | 62,3 | 16 400 | 51,1 | 64,4 | 15 200 | 55,8 | 65,6 | 14 300 | 26,0 |
| 28,0 | 38,5 | 60,0 | 14 900 | 46,1 | 62,7 | 13 700 | 51,1 | 64,1 | 12 900 | 28,0 |
| 30,0 | 32,0 | 57,2 | 13 500 | 40,6 | 60,6 | 12 500 | 46,1 | 62,4 | 11 800 | 30,0 |
| 32,0 | 24,0 | 53,4 | 12 400 | 34,4 | 58,0 | 11 500 | 40,6 | 60,2 | 10 700 | 32,0 |
| 34,0 | | | | 27,1 | 54,6 | 10 500 | 34,5 | 57,6 | 9 900 | 34,0 |
| 36,0 | | | | 17,0 | 49,6 | 9 700 | 27,1 | 54,3 | 9 100 | 36,0 |
| 38,0 | | | | | | | 17,1 | 49,4 | 8 400 | 38,0 |
| 40,0 | | | | | | | | | | 40,0 |
| 42,0 | | | | | | | | | | 42,0 |
| 44,0 | | | | | | | | | | 44,0 |
| 46,0 | | | | | | | | | | 46,0 |
| 48,0 | | | | | | | | | | 48,0 |


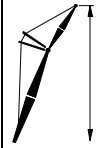


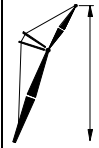


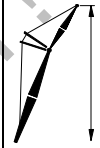

MLC165 S-1

ASME B30.5



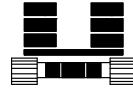
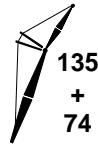
45 130 kg
+
0 kg



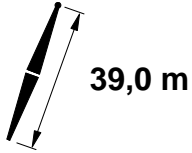
| | 75° | | | 70° | | | 65° | | | |
|------|---|---|---|---|---|---|---|---|---|------|
| |  |  |  |  |  |  |  |  |  | |
| m | m | m | kg | m | m | kg | m | m | kg | m |
| 12,2 | | | | | | | | | | 12,2 |
| 14,0 | | | | | | | | | | 14,0 |
| 16,0 | | | | | | | | | | 16,0 |
| 18,0 | | | | | | | | | | 18,0 |
| 20,0 | | | | | | | | | | 20,0 |
| 22,0 | | | | | | | | | | 22,0 |
| 24,0 | | | | | | | | | | 24,0 |
| 26,0 | | | | | | | | | | 26,0 |
| 28,0 | 58,7 | 65,6 | 11 500 | | | | | | | 28,0 |
| 30,0 | 54,2 | 64,3 | 10 500 | | | | | | | 30,0 |
| 32,0 | 49,4 | 62,8 | 9 600 | 57,0 | 64,1 | 8 400 | | | | 32,0 |
| 34,0 | 44,3 | 60,9 | 8 800 | 52,4 | 62,7 | 7 700 | | | | 34,0 |
| 36,0 | 38,6 | 58,6 | 8 100 | 47,5 | 61,0 | 7 100 | | | | 36,0 |
| 38,0 | 32,1 | 55,8 | 7 400 | 42,2 | 59,0 | 6 500 | | | | 38,0 |
| 40,0 | 24,1 | 52,0 | 6 900 | 36,2 | 56,5 | 6 000 | 45,2 | 58,8 | 5 100 | 40,0 |
| 42,0 | | | | 29,3 | 53,4 | 5 500 | 39,6 | 56,6 | 4 700 | 42,0 |
| 44,0 | | | | 20,3 | 49,1 | 5 100 | 33,3 | 53,9 | 4 300 | 44,0 |
| 46,0 | | | | | | | 25,7 | 50,4 | 4 000 | 46,0 |
| 48,0 | | | | | | | 14,8 | 44,9 | 3 600 | 48,0 |

MLC165 S-1

ASME B30.5



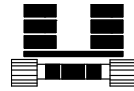
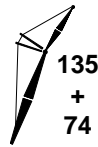
45 130 kg
+
0 kg



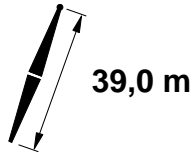
| m | 87° | | | 83° | | | 80° | | | m |
|------|------|------|-----------|------|------|----------|------|------|--------|------|
| | m | m | kg | m | m | kg | m | m | kg | |
| 13,7 | 73,4 | 73,1 | 28 800 *c | | | | | | | 13,7 |
| 14,0 | 72,9 | 73,1 | 28 700 *c | | | | | | | 14,0 |
| 16,0 | 69,3 | 72,4 | 28 300 *c | | | | | | | 16,0 |
| 18,0 | 65,6 | 71,5 | 26 400 b | | | | | | | 18,0 |
| 20,0 | 61,8 | 70,6 | 23 000 b | 66,9 | 71,6 | 21 400 b | | | | 20,0 |
| 22,0 | 57,8 | 69,4 | 20 300 | 63,1 | 70,6 | 18 900 | | | | 22,0 |
| 24,0 | 53,7 | 68,0 | 18 200 | 59,2 | 69,5 | 16 800 | 63,2 | 70,3 | 15 900 | 24,0 |
| 26,0 | 49,3 | 66,4 | 16 400 | 55,2 | 68,3 | 15 100 | 59,3 | 69,2 | 14 200 | 26,0 |
| 28,0 | 44,6 | 64,6 | 14 800 | 50,9 | 66,7 | 13 700 | 55,2 | 67,9 | 12 900 | 28,0 |
| 30,0 | 39,5 | 62,4 | 13 500 | 46,3 | 65,0 | 12 500 | 50,9 | 66,4 | 11 700 | 30,0 |
| 32,0 | 33,8 | 59,7 | 12 400 | 41,4 | 62,9 | 11 500 | 46,4 | 64,7 | 10 700 | 32,0 |
| 34,0 | 27,1 | 56,3 | 11 400 | 35,9 | 60,4 | 10 500 | 41,4 | 62,6 | 9 900 | 34,0 |
| 36,0 | 18,2 | 51,5 | 10 500 | 29,6 | 57,3 | 9 700 | 36,0 | 60,1 | 9 100 | 36,0 |
| 38,0 | | | | 21,7 | 53,1 | 9 000 | 29,7 | 57,0 | 8 400 | 38,0 |
| 40,0 | | | | | | | 21,8 | 52,8 | 7 800 | 40,0 |
| 42,0 | | | | | | | | | | 42,0 |
| 44,0 | | | | | | | | | | 44,0 |
| 46,0 | | | | | | | | | | 46,0 |
| 48,0 | | | | | | | | | | 48,0 |
| 50,0 | | | | | | | | | | 50,0 |

MLC165 S-1

ASME B30.5



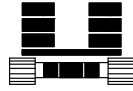
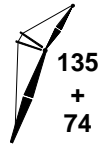
45 130 kg
+
0 kg



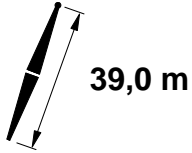
| m | 75° | | | 70° | | | 65° | | | m |
|------|------|------|--------|------|------|-------|------|------|-------|------|
| | m | m | kg | m | m | kg | m | m | kg | |
| 13,7 | | | | | | | | | | 13,7 |
| 14,0 | | | | | | | | | | 14,0 |
| 16,0 | | | | | | | | | | 16,0 |
| 18,0 | | | | | | | | | | 18,0 |
| 20,0 | | | | | | | | | | 20,0 |
| 22,0 | | | | | | | | | | 22,0 |
| 24,0 | | | | | | | | | | 24,0 |
| 26,0 | | | | | | | | | | 26,0 |
| 28,0 | 61,8 | 69,2 | 11 500 | | | | | | | 28,0 |
| 30,0 | 57,9 | 68,0 | 10 400 | | | | | | | 30,0 |
| 32,0 | 53,8 | 66,6 | 9 500 | | | | | | | 32,0 |
| 34,0 | 49,4 | 65,1 | 8 800 | 56,3 | 66,4 | 7 600 | | | | 34,0 |
| 36,0 | 44,7 | 63,2 | 8 100 | 52,1 | 65,0 | 7 000 | | | | 36,0 |
| 38,0 | 39,6 | 61,0 | 7 400 | 47,6 | 63,3 | 6 500 | | | | 38,0 |
| 40,0 | 33,9 | 58,3 | 6 900 | 42,8 | 61,3 | 6 000 | 50,2 | 62,9 | 5 100 | 40,0 |
| 42,0 | 27,2 | 54,9 | 6 400 | 37,5 | 58,9 | 5 500 | 45,6 | 61,1 | 4 700 | 42,0 |
| 44,0 | 18,4 | 50,2 | 5 900 | 31,5 | 56,0 | 5 100 | 40,6 | 59,0 | 4 300 | 44,0 |
| 46,0 | | | | 24,2 | 52,2 | 4 700 | 35,0 | 56,4 | 4 000 | 46,0 |
| 48,0 | | | | 13,6 | 46,4 | 4 400 | 28,5 | 53,1 | 3 600 | 48,0 |
| 50,0 | | | | | | | 20,2 | 48,7 | 3 400 | 50,0 |

MLC165 S-1

ASME B30.5



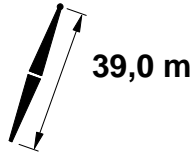
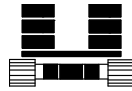
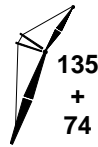
45 130 kg
+
0 kg



| m | 87° | | | 83° | | | 80° | | | m |
|------|------|------|-----------|------|------|--------|------|------|--------|------|
| | m | m | kg | m | m | kg | m | m | kg | |
| 13,7 | 74,8 | 76,3 | 22 400 *c | | | | | | | 13,7 |
| 14,0 | 74,4 | 76,2 | 22 400 *c | | | | | | | 14,0 |
| 16,0 | 71,1 | 75,6 | 21 900 *c | | | | | | | 16,0 |
| 18,0 | 67,7 | 74,9 | 21 300 *b | | | | | | | 18,0 |
| 20,0 | 64,3 | 74,0 | 20 900 *b | 68,9 | 74,9 | 21 200 | | | | 20,0 |
| 22,0 | 60,8 | 72,9 | 20 100 * | 65,5 | 74,0 | 18 700 | | | | 22,0 |
| 24,0 | 57,1 | 71,7 | 18 100 | 62,0 | 73,0 | 16 700 | 65,6 | 73,7 | 15 700 | 24,0 |
| 26,0 | 53,3 | 70,3 | 16 200 | 58,4 | 71,9 | 15 000 | 62,1 | 72,7 | 14 100 | 26,0 |
| 28,0 | 49,3 | 68,7 | 14 700 | 54,7 | 70,6 | 13 600 | 58,5 | 71,6 | 12 700 | 28,0 |
| 30,0 | 45,0 | 66,9 | 13 400 | 50,7 | 69,0 | 12 400 | 54,7 | 70,2 | 11 600 | 30,0 |
| 32,0 | 40,4 | 64,7 | 12 300 | 46,6 | 67,3 | 11 300 | 50,8 | 68,7 | 10 600 | 32,0 |
| 34,0 | 35,3 | 62,1 | 11 300 | 42,1 | 65,2 | 10 400 | 46,6 | 67,0 | 9 700 | 34,0 |
| 36,0 | 29,4 | 59,0 | 10 500 | 37,2 | 62,8 | 9 600 | 42,1 | 64,9 | 8 900 | 36,0 |
| 38,0 | 22,2 | 54,9 | 9 700 | 31,6 | 59,9 | 8 900 | 37,2 | 62,5 | 8 300 | 38,0 |
| 40,0 | | | | 25,0 | 56,2 | 8 200 | 31,7 | 59,6 | 7 700 | 40,0 |
| 42,0 | | | | 16,1 | 50,9 | 7 600 | 25,1 | 55,9 | 7 100 | 42,0 |
| 44,0 | | | | | | | 16,2 | 50,6 | 6 600 | 44,0 |
| 46,0 | | | | | | | | | | 46,0 |
| 48,0 | | | | | | | | | | 48,0 |
| 50,0 | | | | | | | | | | 50,0 |

MLC165 S-1

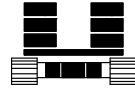
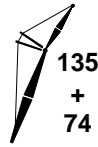
ASME B30.5



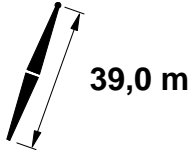
| m | 75° | | | 70° | | | m |
|------|------|------|--------|------|------|-------|------|
| | m | m | kg | m | m | kg | |
| 13,7 | | | | | | | 13,7 |
| 14,0 | | | | | | | 14,0 |
| 16,0 | | | | | | | 16,0 |
| 18,0 | | | | | | | 18,0 |
| 20,0 | | | | | | | 20,0 |
| 22,0 | | | | | | | 22,0 |
| 24,0 | | | | | | | 24,0 |
| 26,0 | | | | | | | 26,0 |
| 28,0 | | | | | | | 28,0 |
| 30,0 | 60,8 | 71,5 | 10 300 | | | | 30,0 |
| 32,0 | 57,2 | 70,3 | 9 400 | | | | 32,0 |
| 34,0 | 53,4 | 68,9 | 8 600 | | | | 34,0 |
| 36,0 | 49,4 | 67,4 | 7 900 | 55,7 | 68,7 | 6 800 | 36,0 |
| 38,0 | 45,1 | 65,5 | 7 300 | 51,9 | 67,3 | 6 300 | 38,0 |
| 40,0 | 40,5 | 63,3 | 6 700 | 47,7 | 65,6 | 5 800 | 40,0 |
| 42,0 | 35,4 | 60,8 | 6 200 | 43,4 | 63,6 | 5 300 | 42,0 |
| 44,0 | 29,5 | 57,6 | 5 800 | 38,6 | 61,3 | 4 900 | 44,0 |
| 46,0 | 22,4 | 53,5 | 5 400 | 33,2 | 58,6 | 4 600 | 46,0 |
| 48,0 | | | | 27,0 | 55,1 | 4 200 | 48,0 |
| 50,0 | | | | 19,0 | 50,4 | 3 900 | 50,0 |

MLC165 S-1

ASME B30.5



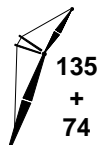
45 130 kg
+
0 kg



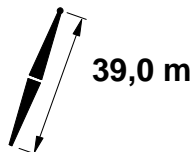
| m | 87° | | | 83° | | | 80° | | | m |
|------|------|------|-----------|------|------|----------|------|------|--------|------|
| | m | m | kg | m | m | kg | m | m | kg | |
| 15,2 | 73,7 | 79,0 | 20 700 *c | | | | | | | 15,2 |
| 16,0 | 72,6 | 78,8 | 20 600 *c | | | | | | | 16,0 |
| 18,0 | 69,5 | 78,1 | 20 100 *b | | | | | | | 18,0 |
| 20,0 | 66,4 | 77,3 | 19 700 *b | 70,6 | 78,1 | 20 200 * | | | | 20,0 |
| 22,0 | 63,2 | 76,4 | 19 300 * | 67,5 | 77,3 | 18 700 | | | | 22,0 |
| 24,0 | 59,9 | 75,3 | 18 100 | 64,4 | 76,4 | 16 600 | | | | 24,0 |
| 26,0 | 56,5 | 74,1 | 16 200 | 61,1 | 75,4 | 14 900 | 64,4 | 76,1 | 13 900 | 26,0 |
| 28,0 | 53,0 | 72,7 | 14 600 | 57,7 | 74,2 | 13 500 | 61,1 | 75,1 | 12 600 | 28,0 |
| 30,0 | 49,3 | 71,0 | 13 300 | 54,3 | 72,9 | 12 300 | 57,8 | 73,9 | 11 500 | 30,0 |
| 32,0 | 45,3 | 69,2 | 12 200 | 50,6 | 71,4 | 11 200 | 54,3 | 72,6 | 10 500 | 32,0 |
| 34,0 | 41,1 | 67,1 | 11 300 | 46,8 | 69,6 | 10 300 | 50,6 | 71,0 | 9 600 | 34,0 |
| 36,0 | 36,5 | 64,6 | 10 400 | 42,6 | 67,6 | 9 500 | 46,8 | 69,3 | 8 900 | 36,0 |
| 38,0 | 31,3 | 61,6 | 9 600 | 38,2 | 65,2 | 8 800 | 42,7 | 67,2 | 8 200 | 38,0 |
| 40,0 | 25,2 | 57,9 | 8 900 | 33,2 | 62,4 | 8 200 | 38,2 | 64,9 | 7 600 | 40,0 |
| 42,0 | 17,2 | 52,7 | 8 300 | 27,5 | 59,0 | 7 600 | 33,3 | 62,1 | 7 000 | 42,0 |
| 44,0 | | | | 20,4 | 54,5 | 7 000 | 27,6 | 58,7 | 6 500 | 44,0 |
| 46,0 | | | | | | | 20,4 | 54,2 | 6 100 | 46,0 |
| 48,0 | | | | | | | | | | 48,0 |
| 50,0 | | | | | | | | | | 50,0 |
| 52,0 | | | | | | | | | | 52,0 |
| 54,0 | | | | | | | | | | 54,0 |

MLC165 S-1

ASME B30.5



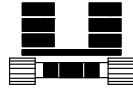
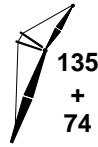
45 130 kg
+
0 kg



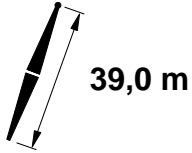
| m | 75° | | | 70° | | | m |
|------|------|------|-------|------|------|-------|------|
| | m | m | kg | m | m | kg | |
| 15,2 | | | | | | | 15,2 |
| 16,0 | | | | | | | 16,0 |
| 18,0 | | | | | | | 18,0 |
| 20,0 | | | | | | | 20,0 |
| 22,0 | | | | | | | 22,0 |
| 24,0 | | | | | | | 24,0 |
| 26,0 | | | | | | | 26,0 |
| 28,0 | | | | | | | 28,0 |
| 30,0 | | | | | | | 30,0 |
| 32,0 | 60,0 | 73,9 | 9 300 | | | | 32,0 |
| 34,0 | 56,6 | 72,7 | 8 500 | | | | 34,0 |
| 36,0 | 53,0 | 71,3 | 7 800 | | | | 36,0 |
| 38,0 | 49,3 | 69,7 | 7 200 | 55,2 | 71,1 | 6 200 | 38,0 |
| 40,0 | 45,4 | 67,8 | 6 600 | 51,6 | 69,6 | 5 700 | 40,0 |
| 42,0 | 41,2 | 65,7 | 6 100 | 47,8 | 67,9 | 5 300 | 42,0 |
| 44,0 | 36,6 | 63,2 | 5 700 | 43,8 | 65,9 | 4 800 | 44,0 |
| 46,0 | 31,4 | 60,2 | 5 300 | 39,5 | 63,7 | 4 500 | 46,0 |
| 48,0 | 25,3 | 56,5 | 4 900 | 34,7 | 61,0 | 4 100 | 48,0 |
| 50,0 | 17,4 | 51,4 | 4 500 | 29,2 | 57,8 | 3 800 | 50,0 |
| 52,0 | | | | 22,6 | 53,7 | 3 600 | 52,0 |
| 54,0 | | | | 13,1 | 47,5 | 3 300 | 54,0 |

MLC165 S-1

ASME B30.5



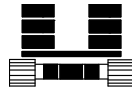
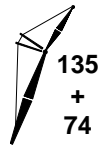
45 130 kg
+
0 kg



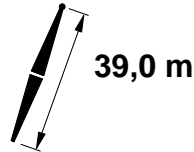
| m | 87° | | | 83° | | | 80° | | | m |
|------|------|------|-----------|------|------|----------|------|------|--------|------|
| | m | m | kg | m | m | kg | m | m | kg | |
| 15,2 | 74,9 | 82,2 | 19 400 *c | | | | | | | 15,2 |
| 16,0 | 73,9 | 82,0 | 19 300 *c | | | | | | | 16,0 |
| 18,0 | 71,1 | 81,4 | 18 800 *b | | | | | | | 18,0 |
| 20,0 | 68,2 | 80,6 | 18 500 *b | | | | | | | 20,0 |
| 22,0 | 65,3 | 79,8 | 18 100 * | 69,2 | 80,6 | 18 200 * | | | | 22,0 |
| 24,0 | 62,3 | 78,8 | 17 500 * | 66,3 | 79,8 | 16 500 | | | | 24,0 |
| 26,0 | 59,2 | 77,7 | 16 000 | 63,3 | 78,9 | 14 800 | 66,3 | 79,5 | 13 800 | 26,0 |
| 28,0 | 56,0 | 76,4 | 14 500 | 60,3 | 77,8 | 13 400 | 63,4 | 78,5 | 12 500 | 28,0 |
| 30,0 | 52,7 | 75,0 | 13 200 | 57,2 | 76,6 | 12 100 | 60,3 | 77,5 | 11 300 | 30,0 |
| 32,0 | 49,3 | 73,3 | 12 100 | 53,9 | 75,2 | 11 100 | 57,2 | 76,2 | 10 300 | 32,0 |
| 34,0 | 45,6 | 71,5 | 11 100 | 50,5 | 73,7 | 10 200 | 53,9 | 74,9 | 9 500 | 34,0 |
| 36,0 | 41,7 | 69,4 | 10 300 | 46,9 | 71,9 | 9 400 | 50,5 | 73,3 | 8 700 | 36,0 |
| 38,0 | 37,5 | 67,0 | 9 500 | 43,1 | 69,9 | 8 700 | 46,9 | 71,6 | 8 100 | 38,0 |
| 40,0 | 32,8 | 64,2 | 8 800 | 39,0 | 67,6 | 8 000 | 43,2 | 69,6 | 7 500 | 40,0 |
| 42,0 | 27,5 | 60,7 | 8 200 | 34,6 | 64,9 | 7 500 | 39,1 | 67,3 | 6 900 | 42,0 |
| 44,0 | 20,9 | 56,3 | 7 600 | 29,5 | 61,7 | 6 900 | 34,6 | 64,6 | 6 400 | 44,0 |
| 46,0 | | | | 23,5 | 57,7 | 6 500 | 29,5 | 61,4 | 6 000 | 46,0 |
| 48,0 | | | | 15,4 | 52,0 | 6 000 | 23,5 | 57,4 | 5 600 | 48,0 |
| 50,0 | | | | | | | 15,4 | 51,8 | 5 200 | 50,0 |
| 52,0 | | | | | | | | | | 52,0 |

MLC165 S-1

ASME B30.5



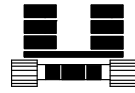
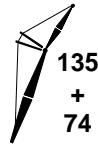
45 130 kg
+
0 kg



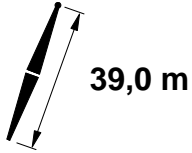
| | 75° | | |
|------|------|------|-------|
| | | | |
| | m | m | kg |
| 15,2 | | | |
| 16,0 | | | |
| 18,0 | | | |
| 20,0 | | | |
| 22,0 | | | |
| 24,0 | | | |
| 26,0 | | | |
| 28,0 | | | |
| 30,0 | | | |
| 32,0 | 62,3 | 77,4 | 9 100 |
| 34,0 | 59,2 | 76,3 | 8 300 |
| 36,0 | 56,1 | 75,0 | 7 600 |
| 38,0 | 52,8 | 73,6 | 7 000 |
| 40,0 | 49,3 | 72,0 | 6 500 |
| 42,0 | 45,7 | 70,1 | 6 000 |
| 44,0 | 41,8 | 68,0 | 5 500 |
| 46,0 | 37,6 | 65,6 | 5 100 |
| 48,0 | 32,9 | 62,8 | 4 800 |
| 50,0 | 27,6 | 59,4 | 4 400 |
| 52,0 | 21,1 | 54,9 | 4 100 |

MLC165 S-1

ASME B30.5



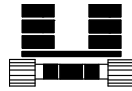
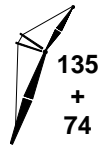
45 130 kg
+
0 kg



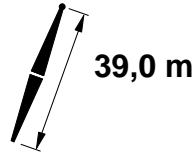
| m | 87° | | | 83° | | | 80° | | | m |
|------|------|------|-----------|------|------|--------|------|------|--------|------|
| | m | m | kg | m | m | kg | m | m | kg | |
| 16,8 | 74,0 | 84,9 | 17 800 *b | | | | | | | 16,8 |
| 18,0 | 72,4 | 84,6 | 17 600 *b | | | | | | | 18,0 |
| 20,0 | 69,7 | 83,9 | 17 300 *b | | | | | | | 20,0 |
| 22,0 | 67,0 | 83,1 | 16 900 * | | | | | | | 22,0 |
| 24,0 | 64,3 | 82,2 | 16 200 * | 68,0 | 83,1 | 16 300 | | | | 24,0 |
| 26,0 | 61,4 | 81,2 | 15 500 * | 65,2 | 82,2 | 14 700 | | | | 26,0 |
| 28,0 | 58,6 | 80,0 | 14 500 | 62,5 | 81,3 | 13 300 | 65,3 | 81,9 | 12 400 | 28,0 |
| 30,0 | 55,6 | 78,7 | 13 200 | 59,6 | 80,2 | 12 100 | 62,5 | 80,9 | 11 300 | 30,0 |
| 32,0 | 52,5 | 77,3 | 12 100 | 56,6 | 78,9 | 11 100 | 59,6 | 79,8 | 10 300 | 32,0 |
| 34,0 | 49,2 | 75,6 | 11 100 | 53,6 | 77,5 | 10 100 | 56,7 | 78,6 | 9 400 | 34,0 |
| 36,0 | 45,8 | 73,8 | 10 200 | 50,4 | 76,0 | 9 300 | 53,6 | 77,2 | 8 700 | 36,0 |
| 38,0 | 42,2 | 71,7 | 9 500 | 47,1 | 74,2 | 8 600 | 50,4 | 75,6 | 8 000 | 38,0 |
| 40,0 | 38,4 | 69,4 | 8 800 | 43,5 | 72,2 | 8 000 | 47,1 | 73,9 | 7 400 | 40,0 |
| 42,0 | 34,1 | 66,7 | 8 200 | 39,8 | 70,0 | 7 400 | 43,6 | 71,9 | 6 900 | 42,0 |
| 44,0 | 29,3 | 63,4 | 7 600 | 35,7 | 67,4 | 6 900 | 39,8 | 69,6 | 6 400 | 44,0 |
| 46,0 | 23,7 | 59,4 | 7 100 | 31,1 | 64,3 | 6 400 | 35,7 | 67,1 | 5 900 | 46,0 |
| 48,0 | 16,4 | 53,9 | 6 600 | 25,8 | 60,7 | 6 000 | 31,1 | 64,0 | 5 500 | 48,0 |
| 50,0 | | | | 19,3 | 55,9 | 5 600 | 25,9 | 60,4 | 5 100 | 50,0 |
| 52,0 | | | | | | | 19,4 | 55,6 | 4 800 | 52,0 |
| 54,0 | | | | | | | | | | 54,0 |
| 56,0 | | | | | | | | | | 56,0 |

MLC165 S-1

ASME B30.5



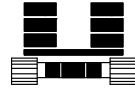
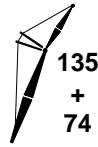
45 130 kg
+
0 kg



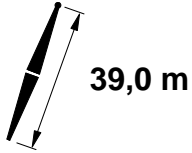
| | 75° | | |
|------|------|------|-------|
| m | o | m | kg |
| 16,8 | | | |
| 18,0 | | | |
| 20,0 | | | |
| 22,0 | | | |
| 24,0 | | | |
| 26,0 | | | |
| 28,0 | | | |
| 30,0 | | | |
| 32,0 | | | |
| 34,0 | 61,5 | 79,8 | 8 300 |
| 36,0 | 58,6 | 78,6 | 7 600 |
| 38,0 | 55,6 | 77,3 | 7 000 |
| 40,0 | 52,5 | 75,9 | 6 400 |
| 42,0 | 49,3 | 74,3 | 5 900 |
| 44,0 | 45,9 | 72,4 | 5 500 |
| 46,0 | 42,3 | 70,4 | 5 100 |
| 48,0 | 38,4 | 68,0 | 4 700 |
| 50,0 | 34,2 | 65,3 | 4 400 |
| 52,0 | 29,4 | 62,1 | 4 000 |
| 54,0 | 23,8 | 58,1 | 3 800 |
| 56,0 | 16,6 | 52,6 | 3 500 |

MLC165 S-1

ASME B30.5



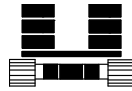
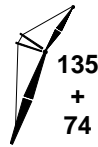
45 130 kg
+
0 kg



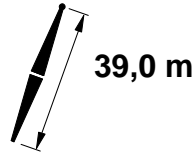
| m | 87° | | | 83° | | | 80° | | | m |
|------|------|------|-----------|------|------|----------|------|------|--------|------|
| | m | m | kg | m | m | kg | m | m | kg | |
| 18,3 | 73,1 | 87,7 | 16 300 *b | | | | | | | 18,3 |
| 20,0 | 71,0 | 87,1 | 15 900 *b | | | | | | | 20,0 |
| 22,0 | 68,5 | 86,4 | 15 400 * | | | | | | | 22,0 |
| 24,0 | 66,0 | 85,6 | 14 800 * | 69,4 | 86,4 | 15 800 * | | | | 24,0 |
| 26,0 | 63,4 | 84,6 | 14 100 * | 66,9 | 85,6 | 14 600 | | | | 26,0 |
| 28,0 | 60,7 | 83,5 | 13 400 * | 64,3 | 84,7 | 13 100 | 66,9 | 85,2 | 12 300 | 28,0 |
| 30,0 | 58,0 | 82,4 | 12 600 * | 61,7 | 83,7 | 12 000 | 64,3 | 84,3 | 11 100 | 30,0 |
| 32,0 | 55,2 | 81,0 | 11 900 * | 59,0 | 82,5 | 10 900 | 61,7 | 83,3 | 10 200 | 32,0 |
| 34,0 | 52,3 | 79,6 | 11 000 | 56,2 | 81,2 | 10 000 | 59,0 | 82,2 | 9 300 | 34,0 |
| 36,0 | 49,2 | 77,9 | 10 100 | 53,3 | 79,8 | 9 200 | 56,2 | 80,9 | 8 500 | 36,0 |
| 38,0 | 46,0 | 76,1 | 9 400 | 50,3 | 78,3 | 8 500 | 53,3 | 79,5 | 7 900 | 38,0 |
| 40,0 | 42,7 | 74,1 | 8 700 | 47,2 | 76,5 | 7 900 | 50,3 | 77,9 | 7 300 | 40,0 |
| 42,0 | 39,1 | 71,8 | 8 100 | 43,9 | 74,5 | 7 300 | 47,2 | 76,2 | 6 700 | 42,0 |
| 44,0 | 35,2 | 69,1 | 7 500 | 40,4 | 72,3 | 6 800 | 43,9 | 74,2 | 6 300 | 44,0 |
| 46,0 | 30,9 | 66,0 | 7 000 | 36,6 | 69,8 | 6 300 | 40,4 | 72,0 | 5 800 | 46,0 |
| 48,0 | 25,9 | 62,3 | 6 500 | 32,5 | 66,9 | 5 900 | 36,6 | 69,5 | 5 400 | 48,0 |
| 50,0 | 19,9 | 57,6 | 6 100 | 27,8 | 63,5 | 5 500 | 32,5 | 66,6 | 5 000 | 50,0 |
| 52,0 | | | | 22,2 | 59,2 | 5 100 | 27,8 | 63,2 | 4 700 | 52,0 |
| 54,0 | | | | 14,8 | 53,2 | 4 800 | 22,3 | 58,9 | 4 300 | 54,0 |
| 56,0 | | | | | | | 14,9 | 52,9 | 4 000 | 56,0 |
| 58,0 | | | | | | | | | | 58,0 |

MLC165 S-1

ASME B30.5



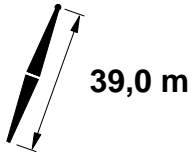
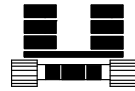
45 130 kg
+
0 kg



| | | 75° | |
|------|------|------|-------|
| | | | |
| | m | m | kg |
| 18,3 | | | |
| 20,0 | | | |
| 22,0 | | | |
| 24,0 | | | |
| 26,0 | | | |
| 28,0 | | | |
| 30,0 | | | |
| 32,0 | | | |
| 34,0 | | | |
| 36,0 | 60,8 | 82,1 | 7 400 |
| 38,0 | 58,0 | 81,0 | 6 800 |
| 40,0 | 55,2 | 79,6 | 6 300 |
| 42,0 | 52,3 | 78,2 | 5 800 |
| 44,0 | 49,3 | 76,6 | 5 300 |
| 46,0 | 46,1 | 74,7 | 4 900 |
| 48,0 | 42,7 | 72,7 | 4 600 |
| 50,0 | 39,1 | 70,4 | 4 300 |
| 52,0 | 35,3 | 67,7 | 3 900 |
| 54,0 | 31,0 | 64,7 | 3 600 |
| 56,0 | 26,0 | 61,0 | 3 400 |
| 58,0 | 20,0 | 56,3 | 3 100 |

MLC165 S-1

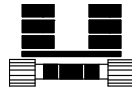
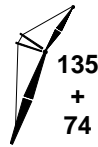
ASME B30.5



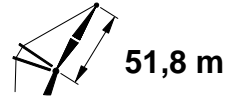
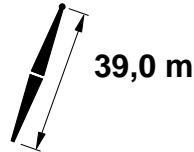
| m | 87° | | | 83° | | | 80° | | | m |
|------|------|------|-----------|------|------|----------|------|------|--------|------|
| | m | m | kg | m | m | kg | m | m | kg | |
| 18,3 | 74,2 | 90,8 | 14 700 *b | | | | | | | 18,3 |
| 20,0 | 72,2 | 90,3 | 14 400 *b | | | | | | | 20,0 |
| 22,0 | 69,8 | 89,7 | 14 000 * | | | | | | | 22,0 |
| 24,0 | 67,5 | 88,9 | 13 600 * | | | | | | | 24,0 |
| 26,0 | 65,1 | 88,0 | 12 900 * | 68,3 | 88,9 | 13 800 * | | | | 26,0 |
| 28,0 | 62,6 | 87,0 | 12 200 * | 65,9 | 88,0 | 13 100 * | | | | 28,0 |
| 30,0 | 60,1 | 85,9 | 11 500 * | 63,5 | 87,1 | 11 800 | 65,9 | 87,7 | 11 000 | 30,0 |
| 32,0 | 57,5 | 84,7 | 10 800 * | 61,0 | 86,0 | 10 800 | 63,5 | 86,8 | 10 000 | 32,0 |
| 34,0 | 54,8 | 83,4 | 10 200 * | 58,4 | 84,9 | 9 900 | 61,0 | 85,7 | 9 100 | 34,0 |
| 36,0 | 52,1 | 81,9 | 9 600 * | 55,8 | 83,6 | 9 100 | 58,4 | 84,5 | 8 400 | 36,0 |
| 38,0 | 49,2 | 80,2 | 8 900 * | 53,1 | 82,1 | 8 400 | 55,8 | 83,2 | 7 700 | 38,0 |
| 40,0 | 46,2 | 78,4 | 8 400 * | 50,2 | 80,6 | 7 800 | 53,1 | 81,8 | 7 100 | 40,0 |
| 42,0 | 43,1 | 76,4 | 7 800 * | 47,3 | 78,8 | 7 200 | 50,3 | 80,2 | 6 600 | 42,0 |
| 44,0 | 39,7 | 74,1 | 7 300 * | 44,2 | 76,9 | 6 700 | 47,3 | 78,5 | 6 100 | 44,0 |
| 46,0 | 36,1 | 71,6 | 6 800 * | 40,9 | 74,7 | 6 200 | 44,2 | 76,5 | 5 700 | 46,0 |
| 48,0 | 32,2 | 68,6 | 6 300 * | 37,4 | 72,2 | 5 800 | 41,0 | 74,4 | 5 300 | 48,0 |
| 50,0 | 27,8 | 65,1 | 5 700 * | 33,6 | 69,4 | 5 400 | 37,5 | 71,9 | 4 900 | 50,0 |
| 52,0 | 22,6 | 60,9 | 5 200 * | 29,4 | 66,2 | 5 000 | 33,7 | 69,1 | 4 600 | 52,0 |
| 54,0 | 15,8 | 55,1 | 4 700 * | 24,5 | 62,2 | 4 700 | 29,4 | 65,8 | 4 200 | 54,0 |
| 56,0 | | | | 18,5 | 57,1 | 4 400 | 24,6 | 61,9 | 4 000 | 56,0 |
| 58,0 | | | | | | | 18,5 | 56,9 | 3 700 | 58,0 |
| 60,0 | | | | | | | | | | 60,0 |
| 62,0 | | | | | | | | | | 62,0 |

MLC165 S-1

ASME B30.5



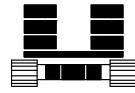
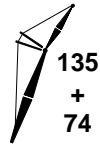
45 130 kg
+
0 kg



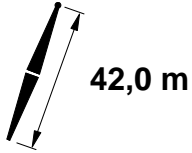
| | | 75° | |
|------|------|------|-------|
| | | | |
| | m | m | kg |
| 18,3 | | | |
| 20,0 | | | |
| 22,0 | | | |
| 24,0 | | | |
| 26,0 | | | |
| 28,0 | | | |
| 30,0 | | | |
| 32,0 | | | |
| 34,0 | | | |
| 36,0 | | | |
| 38,0 | 60,1 | 84,5 | 6 700 |
| 40,0 | 57,5 | 83,3 | 6 200 |
| 42,0 | 54,9 | 82,0 | 5 700 |
| 44,0 | 52,1 | 80,5 | 5 200 |
| 46,0 | 49,3 | 78,9 | 4 800 |
| 48,0 | 46,3 | 77,0 | 4 500 |
| 50,0 | 43,1 | 75,0 | 4 100 |
| 52,0 | 39,8 | 72,7 | 3 800 |
| 54,0 | 36,2 | 70,2 | 3 500 |
| 56,0 | 32,3 | 67,2 | 3 300 |
| 58,0 | 27,8 | 63,8 | 3 000 |
| 60,0 | 22,6 | 59,5 | 2 800 |
| 62,0 | 16,0 | 53,8 | 2 500 |









MLC165 S-1

ASME B30.5



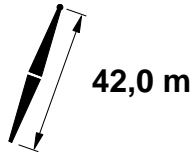
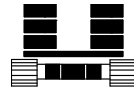
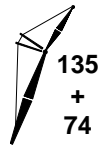
45 130 kg
+
0 kg


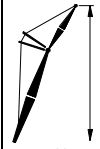
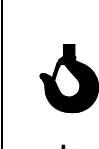

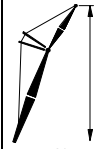


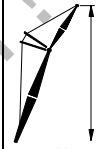



| | 87° | | | 83° | | | 80° | | | |
|------|---|---|--|---|--|--|--|---|----------|------|
| |  m |  m |  kg |  m |  kg |  m |  kg |  m | | |
| 10,4 | 73,5 | 64,4 | 38 900 *d | | | | | | 10,4 | |
| 12,0 | 68,9 | 63,9 | 38 800 *d | | | | | | 12,0 | |
| 14,0 | 63,0 | 63,0 | 36 200 *c | | | | | | 14,0 | |
| 16,0 | 56,8 | 61,8 | 31 200 c | 65,7 | 63,1 | 28 900 c | | | 16,0 | |
| 18,0 | 50,1 | 60,4 | 26 700 b | 59,6 | 62,1 | 24 700 b | | | 18,0 | |
| 20,0 | 42,6 | 58,4 | 23 300 b | 53,2 | 60,8 | 21 600 b | 60,2 | 61,8 | 20 300 b | 20,0 |
| 22,0 | 34,0 | 55,9 | 20 600 | 46,1 | 59,1 | 19 000 | 53,8 | 60,5 | 17 900 b | 22,0 |
| 24,0 | 22,6 | 52,2 | 18 400 | 38,1 | 56,9 | 17 000 | 46,8 | 58,9 | 16 000 | 24,0 |
| 26,0 | | | | 28,3 | 53,8 | 15 300 | 38,9 | 56,7 | 14 400 | 26,0 |
| 28,0 | | | | | | | 29,3 | 53,8 | 13 000 | 28,0 |
| 30,0 | | | | | | | 15,0 | 48,8 | 11 800 | 30,0 |
| 32,0 | | | | | | | | | | 32,0 |
| 34,0 | | | | | | | | | | 34,0 |
| 36,0 | | | | | | | | | | 36,0 |
| 38,0 | | | | | | | | | | 38,0 |

MLC165 S-1

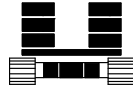
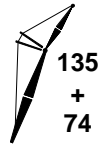
ASME B30.5



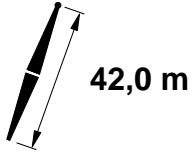
| | 75° | | | 70° | | | 65° | | | |
|------|---|---|---|---|---|---|---|---|---|------|
| |  |  |  |  |  |  |  |  |  | |
| | m | m | kg | m | m | kg | m | m | kg | m |
| 10,4 | | | | | | | | | | 10,4 |
| 12,0 | | | | | | | | | | 12,0 |
| 14,0 | | | | | | | | | | 14,0 |
| 16,0 | | | | | | | | | | 16,0 |
| 18,0 | | | | | | | | | | 18,0 |
| 20,0 | | | | | | | | | | 20,0 |
| 22,0 | | | | | | | | | | 22,0 |
| 24,0 | 58,8 | 60,7 | 14 300 b | | | | | | | 24,0 |
| 26,0 | 52,3 | 59,4 | 12 800 b | | | | | | | 26,0 |
| 28,0 | 45,1 | 57,6 | 11 600 | | | | | | | 28,0 |
| 30,0 | 37,0 | 55,3 | 10 600 | 50,5 | 57,8 | 9 300 | | | | 30,0 |
| 32,0 | 26,8 | 52,1 | 9 700 | 43,1 | 55,9 | 8 500 | | | | 32,0 |
| 34,0 | | | | 34,6 | 53,4 | 7 700 | 48,2 | 55,8 | 6 700 | 34,0 |
| 36,0 | | | | 23,5 | 49,8 | 7 100 | 40,6 | 53,7 | 6 100 | 36,0 |
| 38,0 | | | | | | | 31,4 | 51,0 | 5 600 | 38,0 |









MLC165 S-1

ASME B30.5



45 130 kg
+
0 kg



| | 87° | | | 83° | | | 80° | | | |
|------|---|---|--|---|--|--|--|---|----------|------|
| |  m |  m |  kg |  m |  kg |  m |  kg |  m | | |
| 11,0 | 74,1 | 67,4 | 35 700 *d | | | | | | 11,0 | |
| 12,0 | 71,6 | 67,1 | 35 600 *d | | | | | | 12,0 | |
| 14,0 | 66,6 | 66,4 | 34 700 *c | | | | | | 14,0 | |
| 16,0 | 61,3 | 65,4 | 31 100 *c | 68,9 | 66,4 | 28 800 c | | | 16,0 | |
| 18,0 | 55,8 | 64,2 | 26 600 b | 63,8 | 65,6 | 24 600 b | | | 18,0 | |
| 20,0 | 49,9 | 62,7 | 23 200 b | 58,4 | 64,5 | 21 400 b | 64,2 | 65,3 | 20 100 b | 20,0 |
| 22,0 | 43,5 | 60,8 | 20 500 | 52,7 | 63,1 | 18 900 | 58,9 | 64,2 | 17 800 b | 22,0 |
| 24,0 | 36,1 | 58,4 | 18 300 | 46,5 | 61,4 | 16 900 | 53,2 | 62,9 | 15 800 | 24,0 |
| 26,0 | 27,1 | 55,1 | 16 500 | 39,6 | 59,2 | 15 200 | 47,1 | 61,2 | 14 300 | 26,0 |
| 28,0 | | | | 31,5 | 56,4 | 13 800 | 40,2 | 59,1 | 12 900 | 28,0 |
| 30,0 | | | | 20,9 | 52,4 | 12 600 | 32,3 | 56,4 | 11 800 | 30,0 |
| 32,0 | | | | | | | 22,0 | 52,5 | 10 700 | 32,0 |
| 34,0 | | | | | | | | | | 34,0 |
| 36,0 | | | | | | | | | | 36,0 |
| 38,0 | | | | | | | | | | 38,0 |
| 40,0 | | | | | | | | | | 40,0 |
| 42,0 | | | | | | | | | | 42,0 |


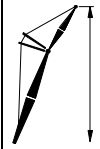


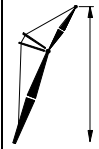


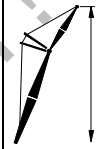

MLC165 S-1

ASME B30.5



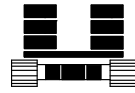
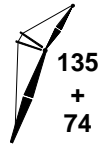
45 130 kg
+
0 kg



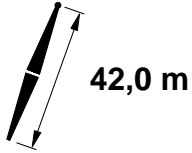
| | 75° | | | 70° | | | 65° | | | |
|------|---|---|---|---|---|---|---|---|---|------|
| |  |  |  |  |  |  |  |  |  | |
| | m | m | kg | m | m | kg | m | m | kg | m |
| 11,0 | | | | | | | | | | 11,0 |
| 12,0 | | | | | | | | | | 12,0 |
| 14,0 | | | | | | | | | | 14,0 |
| 16,0 | | | | | | | | | | 16,0 |
| 18,0 | | | | | | | | | | 18,0 |
| 20,0 | | | | | | | | | | 20,0 |
| 22,0 | | | | | | | | | | 22,0 |
| 24,0 | | | | | | | | | | 24,0 |
| 26,0 | 57,7 | 63,1 | 12 600 b | | | | | | | 26,0 |
| 28,0 | 51,9 | 61,7 | 11 500 | | | | | | | 28,0 |
| 30,0 | 45,6 | 59,9 | 10 400 | | | | | | | 30,0 |
| 32,0 | 38,6 | 57,7 | 9 500 | 50,3 | 60,1 | 8 300 | | | | 32,0 |
| 34,0 | 30,3 | 54,8 | 8 700 | 43,9 | 58,2 | 7 600 | | | | 34,0 |
| 36,0 | 19,1 | 50,4 | 8 000 | 36,6 | 55,9 | 7 000 | 48,3 | 58,1 | 5 900 | 36,0 |
| 38,0 | | | | 27,8 | 52,7 | 6 400 | 41,7 | 56,1 | 5 400 | 38,0 |
| 40,0 | | | | | | | 34,0 | 53,5 | 4 900 | 40,0 |
| 42,0 | | | | | | | 24,4 | 49,9 | 4 600 | 42,0 |

MLC165 S-1

ASME B30.5



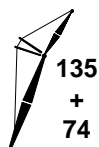
45 130 kg
+
0 kg



| m | 87° | | | 83° | | | 80° | | | m |
|------|------|------|-----------|------|------|----------|------|------|----------|------|
| | m | m | kg | m | m | kg | m | m | kg | |
| 11,6 | 74,6 | 70,4 | 32 700 *d | | | | | | | 11,6 |
| 12,0 | 73,7 | 70,3 | 32 600 *d | | | | | | | 12,0 |
| 14,0 | 69,3 | 69,7 | 32 400 *c | | | | | | | 14,0 |
| 16,0 | 64,8 | 68,8 | 30 600 *c | | | | | | | 16,0 |
| 18,0 | 60,0 | 67,8 | 26 600 b | 66,9 | 68,9 | 24 500 b | | | | 18,0 |
| 20,0 | 55,1 | 66,5 | 23 100 b | 62,2 | 68,0 | 21 300 b | 67,2 | 68,6 | 20 000 b | 20,0 |
| 22,0 | 49,8 | 65,0 | 20 400 b | 57,4 | 66,8 | 18 900 | 62,6 | 67,7 | 17 600 b | 22,0 |
| 24,0 | 44,1 | 63,1 | 18 300 | 52,3 | 65,4 | 16 800 | 57,8 | 66,5 | 15 700 | 24,0 |
| 26,0 | 37,7 | 60,8 | 16 500 | 46,8 | 63,7 | 15 200 | 52,7 | 65,2 | 14 200 | 26,0 |
| 28,0 | 30,2 | 57,8 | 14 900 | 40,8 | 61,6 | 13 700 | 47,3 | 63,5 | 12 800 | 28,0 |
| 30,0 | 20,5 | 53,6 | 13 600 | 33,9 | 59,0 | 12 500 | 41,3 | 61,4 | 11 700 | 30,0 |
| 32,0 | | | | 25,4 | 55,5 | 11 500 | 34,5 | 58,9 | 10 700 | 32,0 |
| 34,0 | | | | | | | 26,2 | 55,4 | 9 800 | 34,0 |
| 36,0 | | | | | | | 14,0 | 50,0 | 9 000 | 36,0 |
| 38,0 | | | | | | | | | | 38,0 |
| 40,0 | | | | | | | | | | 40,0 |
| 42,0 | | | | | | | | | | 42,0 |
| 44,0 | | | | | | | | | | 44,0 |

MLC165 S-1

ASME B30.5



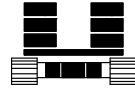
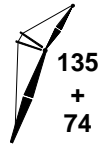
45 130 kg
+
0 kg



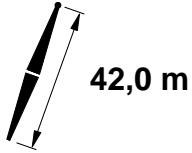
| | 75° | | | 70° | | | 65° | | | |
|------|------|------|-----------------|------|------|-------|------|------|-------|------|
| | | | | | | | | | | |
| | m | m | kg | m | m | kg | m | m | kg | m |
| 11,6 | | | | | | | | | | 11,6 |
| 12,0 | | | | | | | | | | 12,0 |
| 14,0 | | | | | | | | | | 14,0 |
| 16,0 | | | | | | | | | | 16,0 |
| 18,0 | | | | | | | | | | 18,0 |
| 20,0 | | | | | | | | | | 20,0 |
| 22,0 | | | | | | | | | | 22,0 |
| 24,0 | | | | | | | | | | 24,0 |
| 26,0 | 61,6 | 66,6 | 12 500 b | | | | | | | 26,0 |
| 28,0 | 56,7 | 65,4 | 11 300 | | | | | | | 28,0 |
| 30,0 | 51,6 | 64,0 | 10 300 | | | | | | | 30,0 |
| 32,0 | 46,0 | 62,2 | 9 400 | 55,4 | 63,9 | 8 200 | | | | 32,0 |
| 34,0 | 39,9 | 60,1 | 8 700 | 50,2 | 62,4 | 7 500 | | | | 34,0 |
| 36,0 | 32,8 | 57,4 | 7 900 | 44,5 | 60,5 | 6 900 | | | | 36,0 |
| 38,0 | 24,1 | 53,7 | 7 300 | 38,2 | 58,3 | 6 300 | 48,4 | 60,4 | 5 300 | 38,0 |
| 40,0 | | | | 30,8 | 55,4 | 5 800 | 42,6 | 58,4 | 4 900 | 40,0 |
| 42,0 | | | | 21,2 | 51,3 | 5 300 | 35,9 | 56,0 | 4 500 | 42,0 |
| 44,0 | | | | | | | 28,1 | 52,8 | 4 100 | 44,0 |

MLC165 S-1

ASME B30.5



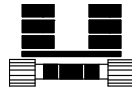
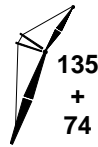
45 130 kg
+
0 kg



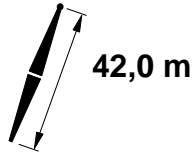
| m | 87° | | | 83° | | | 80° | | | m |
|------|------|------|-----------|------|------|----------|------|------|----------|------|
| | m | m | kg | m | kg | m | kg | | | |
| 12,2 | 75,0 | 73,4 | 30 100 *d | | | | | | 12,2 | |
| 14,0 | 71,4 | 72,9 | 29 900 *c | | | | | | 14,0 | |
| 16,0 | 67,4 | 72,1 | 29 100 *c | | | | | | 16,0 | |
| 18,0 | 63,3 | 71,2 | 26 400 b | | | | | | 18,0 | |
| 20,0 | 59,0 | 70,1 | 23 000 b | 65,2 | 71,4 | 21 200 b | | | 20,0 | |
| 22,0 | 54,5 | 68,8 | 20 300 b | 61,0 | 70,3 | 18 700 | 65,6 | 71,1 | 17 500 b | 22,0 |
| 24,0 | 49,7 | 67,3 | 18 200 | 56,6 | 69,1 | 16 700 | 61,4 | 70,1 | 15 600 | 24,0 |
| 26,0 | 44,6 | 65,4 | 16 300 | 52,0 | 67,7 | 15 000 | 57,0 | 68,9 | 14 000 | 26,0 |
| 28,0 | 39,0 | 63,2 | 14 800 | 47,0 | 66,0 | 13 600 | 52,4 | 67,5 | 12 700 | 28,0 |
| 30,0 | 32,5 | 60,4 | 13 500 | 41,6 | 63,9 | 12 400 | 47,4 | 65,8 | 11 500 | 30,0 |
| 32,0 | 24,7 | 56,7 | 12 400 | 35,6 | 61,4 | 11 300 | 42,1 | 63,8 | 10 600 | 32,0 |
| 34,0 | | | | 28,5 | 58,2 | 10 400 | 36,1 | 61,3 | 9 700 | 34,0 |
| 36,0 | | | | 19,2 | 53,7 | 9 600 | 29,2 | 58,2 | 8 900 | 36,0 |
| 38,0 | | | | | | | 20,2 | 53,8 | 8 200 | 38,0 |
| 40,0 | | | | | | | | | | 40,0 |
| 42,0 | | | | | | | | | | 42,0 |
| 44,0 | | | | | | | | | | 44,0 |

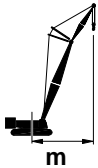
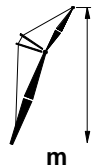

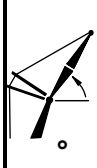


MLC165 S-1

ASME B30.5



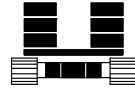
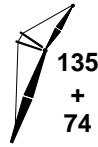
45 130 kg
+
0 kg



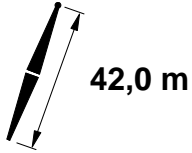
| | 75° | | | 70° | | | |
|------|---|---|--|---|--|--|------|
| |  m |  m |  kg |  m |  m |  kg | |
| 12,2 | | | | | | | 12,2 |
| 14,0 | | | | | | | 14,0 |
| 16,0 | | | | | | | 16,0 |
| 18,0 | | | | | | | 18,0 |
| 20,0 | | | | | | | 20,0 |
| 22,0 | | | | | | | 22,0 |
| 24,0 | | | | | | | 24,0 |
| 26,0 | | | | | | | 26,0 |
| 28,0 | 60,4 | 69,0 | 11 200 | | | | 28,0 |
| 30,0 | 56,0 | 67,7 | 10 100 | | | | 30,0 |
| 32,0 | 51,3 | 66,3 | 9 300 | | | | 32,0 |
| 34,0 | 46,3 | 64,5 | 8 500 | 54,8 | 66,2 | 7 300 | 34,0 |
| 36,0 | 40,9 | 62,4 | 7 800 | 50,1 | 64,7 | 6 700 | 36,0 |
| 38,0 | 34,7 | 59,8 | 7 200 | 45,0 | 62,9 | 6 100 | 38,0 |
| 40,0 | 27,5 | 56,5 | 6 700 | 39,3 | 60,6 | 5 700 | 40,0 |
| 42,0 | 17,6 | 51,7 | 6 100 | 33,0 | 57,9 | 5 200 | 42,0 |
| 44,0 | | | | 25,2 | 54,3 | 4 800 | 44,0 |

MLC165 S-1

ASME B30.5



45 130 kg
+
0 kg



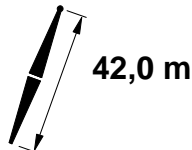
| m | 87° | | | 83° | | | 80° | | | m |
|------|------|------|-----------|------|------|----------|------|------|--------|------|
| | m | m | kg | m | m | kg | m | m | kg | |
| 13,7 | 73,7 | 76,2 | 27 700 *c | | | | | | | 13,7 |
| 14,0 | 73,2 | 76,1 | 27 600 *c | | | | | | | 14,0 |
| 16,0 | 69,6 | 75,4 | 26 700 *c | | | | | | | 16,0 |
| 18,0 | 65,9 | 74,6 | 25 200 *b | | | | | | | 18,0 |
| 20,0 | 62,1 | 73,6 | 23 000 b | 67,6 | 74,7 | 21 100 b | | | | 20,0 |
| 22,0 | 58,1 | 72,5 | 20 300 b | 63,8 | 73,8 | 18 700 | | | | 22,0 |
| 24,0 | 54,0 | 71,1 | 18 100 | 60,0 | 72,7 | 16 700 | 64,2 | 73,5 | 15 600 | 24,0 |
| 26,0 | 49,7 | 69,6 | 16 300 | 55,9 | 71,5 | 15 000 | 60,3 | 72,5 | 14 000 | 26,0 |
| 28,0 | 45,0 | 67,7 | 14 800 | 51,7 | 70,0 | 13 600 | 56,3 | 71,2 | 12 700 | 28,0 |
| 30,0 | 40,0 | 65,5 | 13 500 | 47,2 | 68,3 | 12 400 | 52,1 | 69,8 | 11 500 | 30,0 |
| 32,0 | 34,3 | 62,9 | 12 400 | 42,3 | 66,3 | 11 300 | 47,6 | 68,1 | 10 600 | 32,0 |
| 34,0 | 27,7 | 59,6 | 11 400 | 37,0 | 63,9 | 10 400 | 42,8 | 66,1 | 9 700 | 34,0 |
| 36,0 | 19,0 | 54,9 | 10 500 | 30,9 | 60,9 | 9 600 | 37,5 | 63,7 | 9 000 | 36,0 |
| 38,0 | | | | 23,4 | 57,0 | 8 900 | 31,4 | 60,8 | 8 200 | 38,0 |
| 40,0 | | | | | | | 24,1 | 57,0 | 7 600 | 40,0 |
| 42,0 | | | | | | | 13,4 | 51,1 | 7 100 | 42,0 |
| 44,0 | | | | | | | | | | 44,0 |
| 46,0 | | | | | | | | | | 46,0 |
| 48,0 | | | | | | | | | | 48,0 |

MLC165 S-1

ASME B30.5



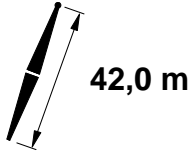
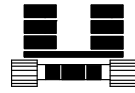
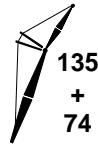
45 130 kg
+
0 kg



| m | 75° | | | 70° | | | m |
|------|------|------|--------|------|------|-------|------|
| | m | m | kg | m | m | kg | |
| 13,7 | | | | | | | 13,7 |
| 14,0 | | | | | | | 14,0 |
| 16,0 | | | | | | | 16,0 |
| 18,0 | | | | | | | 18,0 |
| 20,0 | | | | | | | 20,0 |
| 22,0 | | | | | | | 22,0 |
| 24,0 | | | | | | | 24,0 |
| 26,0 | | | | | | | 26,0 |
| 28,0 | | | | | | | 28,0 |
| 30,0 | 59,4 | 71,4 | 10 100 | | | | 30,0 |
| 32,0 | 55,4 | 70,1 | 9 300 | | | | 32,0 |
| 34,0 | 51,1 | 68,6 | 8 500 | | | | 34,0 |
| 36,0 | 46,6 | 66,8 | 7 800 | 54,3 | 68,5 | 6 700 | 36,0 |
| 38,0 | 41,7 | 64,8 | 7 200 | 50,0 | 67,0 | 6 100 | 38,0 |
| 40,0 | 36,2 | 62,3 | 6 700 | 45,3 | 65,2 | 5 600 | 40,0 |
| 42,0 | 30,0 | 59,2 | 6 100 | 40,3 | 63,0 | 5 200 | 42,0 |
| 44,0 | 22,2 | 55,1 | 5 700 | 34,7 | 60,4 | 4 800 | 44,0 |
| 46,0 | | | | 28,1 | 57,1 | 4 400 | 46,0 |
| 48,0 | | | | 19,7 | 52,6 | 4 100 | 48,0 |

MLC165 S-1

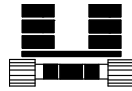
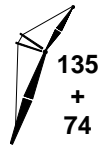
ASME B30.5



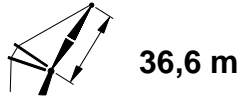
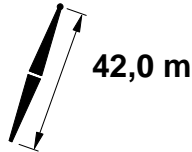
| m | 87° | | | 83° | | | 80° | | | m |
|------|------|------|-----------|------|------|----------|------|------|--------|------|
| | m | m | kg | m | m | kg | m | m | kg | |
| 15,2 | 72,6 | 78,9 | 21 500 *c | | | | | | | 15,2 |
| 16,0 | 71,3 | 78,6 | 21 400 *c | | | | | | | 16,0 |
| 18,0 | 68,0 | 77,9 | 20 900 *b | | | | | | | 18,0 |
| 20,0 | 64,6 | 77,0 | 20 500 *b | 69,5 | 78,0 | 21 000 b | | | | 20,0 |
| 22,0 | 61,1 | 76,0 | 19 800 * | 66,2 | 77,1 | 18 500 | | | | 22,0 |
| 24,0 | 57,4 | 74,8 | 18 100 | 62,7 | 76,2 | 16 500 | | | | 24,0 |
| 26,0 | 53,6 | 73,4 | 16 200 | 59,1 | 75,1 | 14 800 | 63,0 | 75,9 | 13 800 | 26,0 |
| 28,0 | 49,6 | 71,9 | 14 700 | 55,4 | 73,8 | 13 400 | 59,4 | 74,8 | 12 500 | 28,0 |
| 30,0 | 45,4 | 70,0 | 13 400 | 51,5 | 72,3 | 12 200 | 55,7 | 73,5 | 11 400 | 30,0 |
| 32,0 | 40,8 | 67,9 | 12 300 | 47,3 | 70,6 | 11 200 | 51,8 | 72,1 | 10 400 | 32,0 |
| 34,0 | 35,7 | 65,3 | 11 300 | 42,9 | 68,6 | 10 300 | 47,7 | 70,4 | 9 600 | 34,0 |
| 36,0 | 29,9 | 62,2 | 10 400 | 38,1 | 66,3 | 9 500 | 43,3 | 68,4 | 8 800 | 36,0 |
| 38,0 | 22,9 | 58,2 | 9 600 | 32,7 | 63,4 | 8 800 | 38,5 | 66,1 | 8 100 | 38,0 |
| 40,0 | | | | 26,3 | 59,9 | 8 100 | 33,2 | 63,3 | 7 500 | 40,0 |
| 42,0 | | | | 18,0 | 55,0 | 7 600 | 26,9 | 59,9 | 7 000 | 42,0 |
| 44,0 | | | | | | | 18,9 | 55,2 | 6 500 | 44,0 |
| 46,0 | | | | | | | | | | 46,0 |
| 48,0 | | | | | | | | | | 48,0 |
| 50,0 | | | | | | | | | | 50,0 |

MLC165 S-1

ASME B30.5



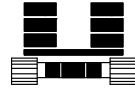
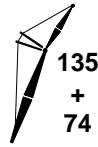
45 130 kg
+
0 kg



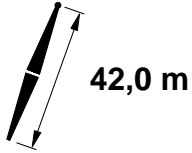
| m | 75° | | | 70° | | | m |
|------|------|------|-------|------|------|-------|------|
| | m | m | kg | m | m | kg | |
| 15,2 | | | | | | | 15,2 |
| 16,0 | | | | | | | 16,0 |
| 18,0 | | | | | | | 18,0 |
| 20,0 | | | | | | | 20,0 |
| 22,0 | | | | | | | 22,0 |
| 24,0 | | | | | | | 24,0 |
| 26,0 | | | | | | | 26,0 |
| 28,0 | | | | | | | 28,0 |
| 30,0 | | | | | | | 30,0 |
| 32,0 | 58,6 | 73,7 | 9 100 | | | | 32,0 |
| 34,0 | 54,9 | 72,4 | 8 300 | | | | 34,0 |
| 36,0 | 50,9 | 70,9 | 7 600 | | | | 36,0 |
| 38,0 | 46,8 | 69,1 | 7 000 | 53,9 | 70,9 | 6 000 | 38,0 |
| 40,0 | 42,3 | 67,1 | 6 500 | 49,9 | 69,3 | 5 400 | 40,0 |
| 42,0 | 37,4 | 64,7 | 6 000 | 45,6 | 67,5 | 5 000 | 42,0 |
| 44,0 | 31,9 | 61,8 | 5 600 | 41,1 | 65,4 | 4 700 | 44,0 |
| 46,0 | 25,4 | 58,2 | 5 200 | 36,1 | 62,8 | 4 300 | 46,0 |
| 48,0 | 16,6 | 52,9 | 4 800 | 30,3 | 59,8 | 4 000 | 48,0 |
| 50,0 | | | | 23,4 | 55,8 | 3 700 | 50,0 |

MLC165 S-1

ASME B30.5



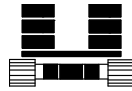
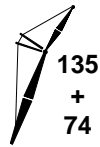
45 130 kg
+
0 kg



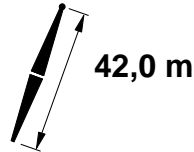
| m | 87° | | | 83° | | | 80° | | | m |
|------|------|------|-----------|------|------|--------|------|------|--------|------|
| | m | m | kg | m | m | kg | m | m | kg | |
| 15,2 | 74,0 | 82,1 | 20 200 *c | | | | | | | 15,2 |
| 16,0 | 72,8 | 81,9 | 20 100 *c | | | | | | | 16,0 |
| 18,0 | 69,8 | 81,2 | 19 700 *b | | | | | | | 18,0 |
| 20,0 | 66,7 | 80,4 | 19 300 *b | | | | | | | 20,0 |
| 22,0 | 63,5 | 79,4 | 18 800 *b | 68,1 | 80,5 | 18 500 | | | | 22,0 |
| 24,0 | 60,2 | 78,4 | 17 800 | 64,9 | 79,6 | 16 400 | | | | 24,0 |
| 26,0 | 56,8 | 77,2 | 16 100 | 61,7 | 78,6 | 14 800 | 65,2 | 79,3 | 13 700 | 26,0 |
| 28,0 | 53,3 | 75,8 | 14 600 | 58,4 | 77,4 | 13 300 | 62,0 | 78,3 | 12 400 | 28,0 |
| 30,0 | 49,6 | 74,2 | 13 300 | 54,9 | 76,1 | 12 100 | 58,7 | 77,2 | 11 300 | 30,0 |
| 32,0 | 45,7 | 72,3 | 12 200 | 51,3 | 74,6 | 11 100 | 55,2 | 75,9 | 10 300 | 32,0 |
| 34,0 | 41,5 | 70,2 | 11 200 | 47,5 | 72,9 | 10 200 | 51,6 | 74,4 | 9 500 | 34,0 |
| 36,0 | 36,9 | 67,8 | 10 400 | 43,4 | 70,9 | 9 400 | 47,8 | 72,7 | 8 700 | 36,0 |
| 38,0 | 31,7 | 64,8 | 9 600 | 39,0 | 68,6 | 8 700 | 43,8 | 70,7 | 8 000 | 38,0 |
| 40,0 | 25,7 | 61,2 | 8 900 | 34,2 | 66,0 | 8 100 | 39,4 | 68,5 | 7 400 | 40,0 |
| 42,0 | 17,9 | 56,2 | 8 300 | 28,6 | 62,7 | 7 500 | 34,6 | 65,8 | 6 900 | 42,0 |
| 44,0 | | | | 21,8 | 58,4 | 7 000 | 29,1 | 62,6 | 6 400 | 44,0 |
| 46,0 | | | | | | | 22,5 | 58,5 | 6 000 | 46,0 |
| 48,0 | | | | | | | 13,0 | 52,2 | 5 500 | 48,0 |
| 50,0 | | | | | | | | | | 50,0 |

MLC165 S-1

ASME B30.5



45 130 kg
+
0 kg

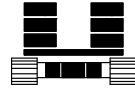
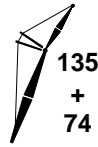


| | 75° | | |
|------|------|------|-------|
| | | | |
| | m | m | kg |
| 15,2 | | | |
| 16,0 | | | |
| 18,0 | | | |
| 20,0 | | | |
| 22,0 | | | |
| 24,0 | | | |
| 26,0 | | | |
| 28,0 | | | |
| 30,0 | | | |
| 32,0 | 61,3 | 77,2 | 8 900 |
| 34,0 | 57,9 | 76,1 | 8 200 |
| 36,0 | 54,4 | 74,7 | 7 500 |
| 38,0 | 50,8 | 73,2 | 6 900 |
| 40,0 | 47,0 | 71,4 | 6 400 |
| 42,0 | 42,9 | 69,4 | 5 900 |
| 44,0 | 38,4 | 67,1 | 5 500 |
| 46,0 | 33,5 | 64,3 | 5 100 |
| 48,0 | 27,8 | 61,0 | 4 700 |
| 50,0 | 20,8 | 56,5 | 4 400 |

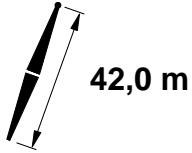
REFERENCE ONLY!

MLC165 S-1

ASME B30.5



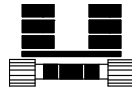
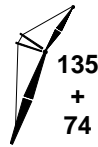
45 130 kg
+
0 kg



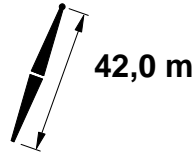
| m | 87° | | | 83° | | | 80° | | | m |
|------|------|------|-----------|------|------|----------|------|------|--------|------|
| | m | m | kg | m | m | kg | m | m | kg | |
| 16,8 | 73,0 | 84,8 | 18 600 *b | | | | | | | 16,8 |
| 18,0 | 71,3 | 84,4 | 18 400 *b | | | | | | | 18,0 |
| 20,0 | 68,4 | 83,7 | 18 000 *b | | | | | | | 20,0 |
| 22,0 | 65,5 | 82,8 | 17 400 *b | 69,7 | 83,7 | 17 900 * | | | | 22,0 |
| 24,0 | 62,5 | 81,8 | 16 600 * | 66,8 | 82,9 | 16 300 | | | | 24,0 |
| 26,0 | 59,4 | 80,7 | 15 700 * | 63,9 | 82,0 | 14 600 | 67,1 | 82,6 | 13 500 | 26,0 |
| 28,0 | 56,3 | 79,5 | 14 600 | 60,9 | 81,0 | 13 200 | 64,1 | 81,7 | 12 200 | 28,0 |
| 30,0 | 53,0 | 78,1 | 13 200 | 57,7 | 79,8 | 12 000 | 61,1 | 80,7 | 11 100 | 30,0 |
| 32,0 | 49,5 | 76,5 | 12 100 | 54,5 | 78,4 | 11 000 | 58,0 | 79,5 | 10 200 | 32,0 |
| 34,0 | 45,9 | 74,6 | 11 100 | 51,1 | 76,9 | 10 100 | 54,8 | 78,2 | 9 300 | 34,0 |
| 36,0 | 42,0 | 72,6 | 10 300 | 47,6 | 75,2 | 9 300 | 51,4 | 76,7 | 8 500 | 36,0 |
| 38,0 | 37,8 | 70,2 | 9 500 | 43,8 | 73,2 | 8 600 | 47,9 | 75,0 | 7 900 | 38,0 |
| 40,0 | 33,2 | 67,4 | 8 800 | 39,8 | 71,0 | 8 000 | 44,2 | 73,1 | 7 300 | 40,0 |
| 42,0 | 27,9 | 64,0 | 8 200 | 35,4 | 68,4 | 7 400 | 40,2 | 70,9 | 6 800 | 42,0 |
| 44,0 | 21,5 | 59,6 | 7 600 | 30,5 | 65,3 | 6 900 | 35,8 | 68,3 | 6 300 | 44,0 |
| 46,0 | | | | 24,7 | 61,5 | 6 400 | 30,9 | 65,3 | 5 800 | 46,0 |
| 48,0 | | | | 17,1 | 56,3 | 5 900 | 25,2 | 61,5 | 5 400 | 48,0 |
| 50,0 | | | | | | | 17,9 | 56,4 | 5 000 | 50,0 |
| 52,0 | | | | | | | | | | 52,0 |
| 54,0 | | | | | | | | | | 54,0 |

MLC165 S-1

ASME B30.5



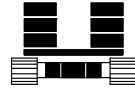
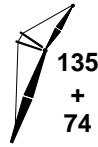
45 130 kg
+
0 kg



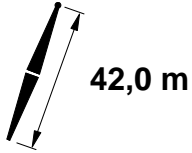
| | 75° | | |
|------|------|------|-------|
| | | | |
| 16,8 | | | |
| 18,0 | | | |
| 20,0 | | | |
| 22,0 | | | |
| 24,0 | | | |
| 26,0 | | | |
| 28,0 | | | |
| 30,0 | | | |
| 32,0 | | | |
| 34,0 | 60,4 | 79,6 | 8 000 |
| 36,0 | 57,3 | 78,4 | 7 400 |
| 38,0 | 54,1 | 77,0 | 6 700 |
| 40,0 | 50,7 | 75,5 | 6 200 |
| 42,0 | 47,1 | 73,7 | 5 700 |
| 44,0 | 43,3 | 71,8 | 5 300 |
| 46,0 | 39,2 | 69,5 | 4 900 |
| 48,0 | 34,8 | 66,8 | 4 500 |
| 50,0 | 29,8 | 63,7 | 4 200 |
| 52,0 | 23,8 | 59,7 | 3 900 |
| 54,0 | 15,9 | 54,1 | 3 600 |

MLC165 S-1

ASME B30.5



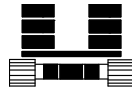
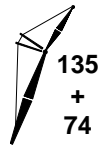
45 130 kg
+
0 kg



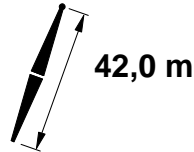
| m | 87° | | | 83° | | | 80° | | | m |
|------|------|------|-----------|------|------|--------|------|------|--------|------|
| | m | m | kg | m | m | kg | m | m | kg | |
| 16,8 | 74,2 | 88,0 | 17 500 *c | | | | | | | 16,8 |
| 18,0 | 72,6 | 87,6 | 17 200 *b | | | | | | | 18,0 |
| 20,0 | 69,9 | 86,9 | 16 600 *b | | | | | | | 20,0 |
| 22,0 | 67,2 | 86,2 | 16 000 *b | | | | | | | 22,0 |
| 24,0 | 64,5 | 85,3 | 15 400 * | 68,5 | 86,2 | 16 100 | | | | 24,0 |
| 26,0 | 61,7 | 84,2 | 14 700 * | 65,7 | 85,4 | 14 500 | | | | 26,0 |
| 28,0 | 58,8 | 83,1 | 13 900 * | 63,0 | 84,4 | 13 100 | 66,0 | 85,1 | 12 200 | 28,0 |
| 30,0 | 55,8 | 81,8 | 13 100 | 60,1 | 83,3 | 12 000 | 63,2 | 84,1 | 11 000 | 30,0 |
| 32,0 | 52,7 | 80,4 | 12 100 | 57,2 | 82,1 | 10 900 | 60,4 | 83,1 | 10 100 | 32,0 |
| 34,0 | 49,5 | 78,8 | 11 100 | 54,1 | 80,7 | 10 000 | 57,4 | 81,9 | 9 200 | 34,0 |
| 36,0 | 46,1 | 76,9 | 10 200 | 51,0 | 79,2 | 9 200 | 54,4 | 80,5 | 8 500 | 36,0 |
| 38,0 | 42,5 | 74,9 | 9 500 | 47,7 | 77,5 | 8 500 | 51,3 | 79,0 | 7 800 | 38,0 |
| 40,0 | 38,7 | 72,6 | 8 800 | 44,2 | 75,6 | 7 900 | 48,0 | 77,3 | 7 200 | 40,0 |
| 42,0 | 34,5 | 69,9 | 8 200 | 40,5 | 73,4 | 7 300 | 44,5 | 75,4 | 6 700 | 42,0 |
| 44,0 | 29,7 | 66,7 | 7 600 | 36,4 | 70,8 | 6 800 | 40,8 | 73,2 | 6 300 | 44,0 |
| 46,0 | 24,2 | 62,7 | 7 100 | 32,0 | 67,9 | 6 400 | 36,8 | 70,7 | 5 800 | 46,0 |
| 48,0 | 17,1 | 57,4 | 6 600 | 26,9 | 64,4 | 5 900 | 32,4 | 67,8 | 5 400 | 48,0 |
| 50,0 | | | | 20,7 | 59,8 | 5 500 | 27,3 | 64,3 | 5 000 | 50,0 |
| 52,0 | | | | | | | 21,2 | 59,9 | 4 700 | 52,0 |
| 54,0 | | | | | | | 12,6 | 53,3 | 4 300 | 54,0 |
| 56,0 | | | | | | | | | | 56,0 |

MLC165 S-1

ASME B30.5



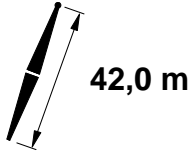
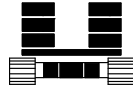
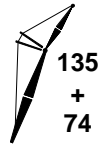
45 130 kg
+
0 kg



| | 75° | | |
|------|------|------|-------|
| | | | |
| | m | m | kg |
| 16,8 | | | |
| 18,0 | | | |
| 20,0 | | | |
| 22,0 | | | |
| 24,0 | | | |
| 26,0 | | | |
| 28,0 | | | |
| 30,0 | | | |
| 32,0 | | | |
| 34,0 | | | |
| 36,0 | 59,7 | 82,0 | 7 300 |
| 38,0 | 56,8 | 80,7 | 6 700 |
| 40,0 | 53,7 | 79,3 | 6 200 |
| 42,0 | 50,6 | 77,8 | 5 700 |
| 44,0 | 47,2 | 76,0 | 5 200 |
| 46,0 | 43,7 | 74,1 | 4 900 |
| 48,0 | 40,0 | 71,8 | 4 500 |
| 50,0 | 35,9 | 69,3 | 4 200 |
| 52,0 | 31,3 | 66,3 | 3 900 |
| 54,0 | 26,1 | 62,6 | 3 600 |
| 56,0 | 19,7 | 57,9 | 3 300 |

MLC165 S-1

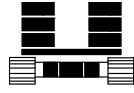
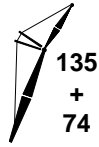
ASME B30.5



| m | 87° | | | 83° | | | 80° | | | m |
|------|------|------|-----------|------|------|--------|------|------|--------|------|
| | m | m | kg | m | m | kg | m | m | kg | |
| 18,3 | 73,3 | 90,7 | 15 500 *b | | | | | | | 18,3 |
| 20,0 | 71,2 | 90,2 | 15 100 *b | | | | | | | 20,0 |
| 22,0 | 68,7 | 89,4 | 14 600 *b | | | | | | | 22,0 |
| 24,0 | 66,2 | 88,6 | 14 100 * | | | | | | | 24,0 |
| 26,0 | 63,6 | 87,7 | 13 600 * | 67,3 | 88,7 | 14 400 | | | | 26,0 |
| 28,0 | 60,9 | 86,6 | 13 000 * | 64,8 | 87,8 | 13 000 | | | | 28,0 |
| 30,0 | 58,2 | 85,4 | 12 400 * | 62,2 | 86,8 | 11 800 | 65,0 | 87,5 | 10 900 | 30,0 |
| 32,0 | 55,4 | 84,1 | 11 800 * | 59,5 | 85,7 | 10 800 | 62,4 | 86,5 | 9 900 | 32,0 |
| 34,0 | 52,5 | 82,7 | 10 900 | 56,7 | 84,4 | 9 900 | 59,7 | 85,4 | 9 100 | 34,0 |
| 36,0 | 49,5 | 81,1 | 10 100 | 53,8 | 83,1 | 9 100 | 56,9 | 84,2 | 8 400 | 36,0 |
| 38,0 | 46,3 | 79,2 | 9 300 | 50,9 | 81,5 | 8 400 | 54,1 | 82,8 | 7 700 | 38,0 |
| 40,0 | 42,9 | 77,2 | 8 700 | 47,8 | 79,8 | 7 800 | 51,1 | 81,3 | 7 100 | 40,0 |
| 42,0 | 39,4 | 74,9 | 8 000 | 44,5 | 77,9 | 7 200 | 48,0 | 79,6 | 6 600 | 42,0 |
| 44,0 | 35,5 | 72,3 | 7 500 | 41,0 | 75,7 | 6 700 | 44,8 | 77,7 | 6 100 | 44,0 |
| 46,0 | 31,2 | 69,3 | 7 000 | 37,3 | 73,3 | 6 200 | 41,3 | 75,5 | 5 600 | 46,0 |
| 48,0 | 26,4 | 65,6 | 6 500 | 33,3 | 70,4 | 5 800 | 37,7 | 73,1 | 5 300 | 48,0 |
| 50,0 | 20,4 | 61,0 | 6 100 | 28,7 | 67,1 | 5 400 | 33,6 | 70,3 | 4 900 | 50,0 |
| 52,0 | | | | 23,3 | 63,0 | 5 000 | 29,1 | 67,0 | 4 500 | 52,0 |
| 54,0 | | | | 16,4 | 57,5 | 4 700 | 23,8 | 63,0 | 4 300 | 54,0 |
| 56,0 | | | | | | | 17,1 | 57,7 | 4 000 | 56,0 |

MLC165 S-1

ASME B30.5



45 130 kg
+
0 kg

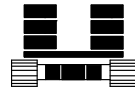
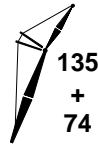


This page intentionally left blank.

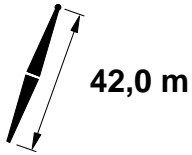
REFERENCE ONLY!

MLC165 S-1

ASME B30.5



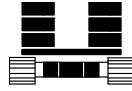
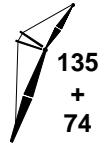
45 130 kg
+
0 kg



| m | 87° | | | 83° | | | 80° | | | m |
|------|------|------|-----------|------|------|----------|------|------|--------|------|
| | m | m | kg | m | m | kg | m | m | kg | |
| 18,3 | 74,3 | 93,9 | 14 000 *b | | | | | | | 18,3 |
| 20,0 | 72,4 | 93,4 | 13 700 *b | | | | | | | 20,0 |
| 22,0 | 70,0 | 92,7 | 13 300 *b | | | | | | | 22,0 |
| 24,0 | 67,7 | 91,9 | 13 000 * | | | | | | | 24,0 |
| 26,0 | 65,2 | 91,0 | 12 500 * | 68,7 | 92,0 | 13 400 * | | | | 26,0 |
| 28,0 | 62,8 | 90,1 | 12 100 * | 66,4 | 91,2 | 13 000 | | | | 28,0 |
| 30,0 | 60,3 | 89,0 | 11 500 * | 63,9 | 90,2 | 11 700 | 66,6 | 90,9 | 10 800 | 30,0 |
| 32,0 | 57,7 | 87,8 | 10 800 * | 61,4 | 89,2 | 10 700 | 64,1 | 90,0 | 9 800 | 32,0 |
| 34,0 | 55,0 | 86,5 | 10 200 * | 58,9 | 88,1 | 9 800 | 61,6 | 88,9 | 9 000 | 34,0 |
| 36,0 | 52,3 | 85,0 | 9 600 * | 56,3 | 86,8 | 9 000 | 59,1 | 87,8 | 8 200 | 36,0 |
| 38,0 | 49,4 | 83,4 | 9 000 * | 53,6 | 85,4 | 8 300 | 56,5 | 86,5 | 7 600 | 38,0 |
| 40,0 | 46,5 | 81,6 | 8 400 * | 50,8 | 83,8 | 7 700 | 53,8 | 85,1 | 7 000 | 40,0 |
| 42,0 | 43,3 | 79,5 | 7 800 * | 47,8 | 82,1 | 7 100 | 51,0 | 83,6 | 6 400 | 42,0 |
| 44,0 | 40,0 | 77,3 | 7 300 * | 44,8 | 80,2 | 6 600 | 48,1 | 81,9 | 6 000 | 44,0 |
| 46,0 | 36,4 | 74,8 | 6 900 * | 41,5 | 78,1 | 6 100 | 45,0 | 80,0 | 5 600 | 46,0 |
| 48,0 | 32,5 | 71,8 | 6 400 * | 38,1 | 75,7 | 5 700 | 41,8 | 77,9 | 5 200 | 48,0 |
| 50,0 | 28,1 | 68,4 | 5 800 * | 34,3 | 72,9 | 5 300 | 38,4 | 75,5 | 4 800 | 50,0 |
| 52,0 | 23,0 | 64,2 | 5 300 * | 30,2 | 69,8 | 5 000 | 34,7 | 72,8 | 4 500 | 52,0 |
| 54,0 | 16,4 | 58,7 | 4 800 * | 25,5 | 66,0 | 4 600 | 30,6 | 69,7 | 4 200 | 54,0 |
| 56,0 | | | | 19,7 | 61,2 | 4 300 | 25,9 | 66,0 | 3 900 | 56,0 |
| 58,0 | | | | | | | 20,3 | 61,3 | 3 600 | 58,0 |
| 60,0 | | | | | | | 12,4 | 54,4 | 3 300 | 60,0 |

MLC165 S-1

ASME B30.5



45 130 kg
+
0 kg



This page intentionally left blank.

REFERENCE ONLY!