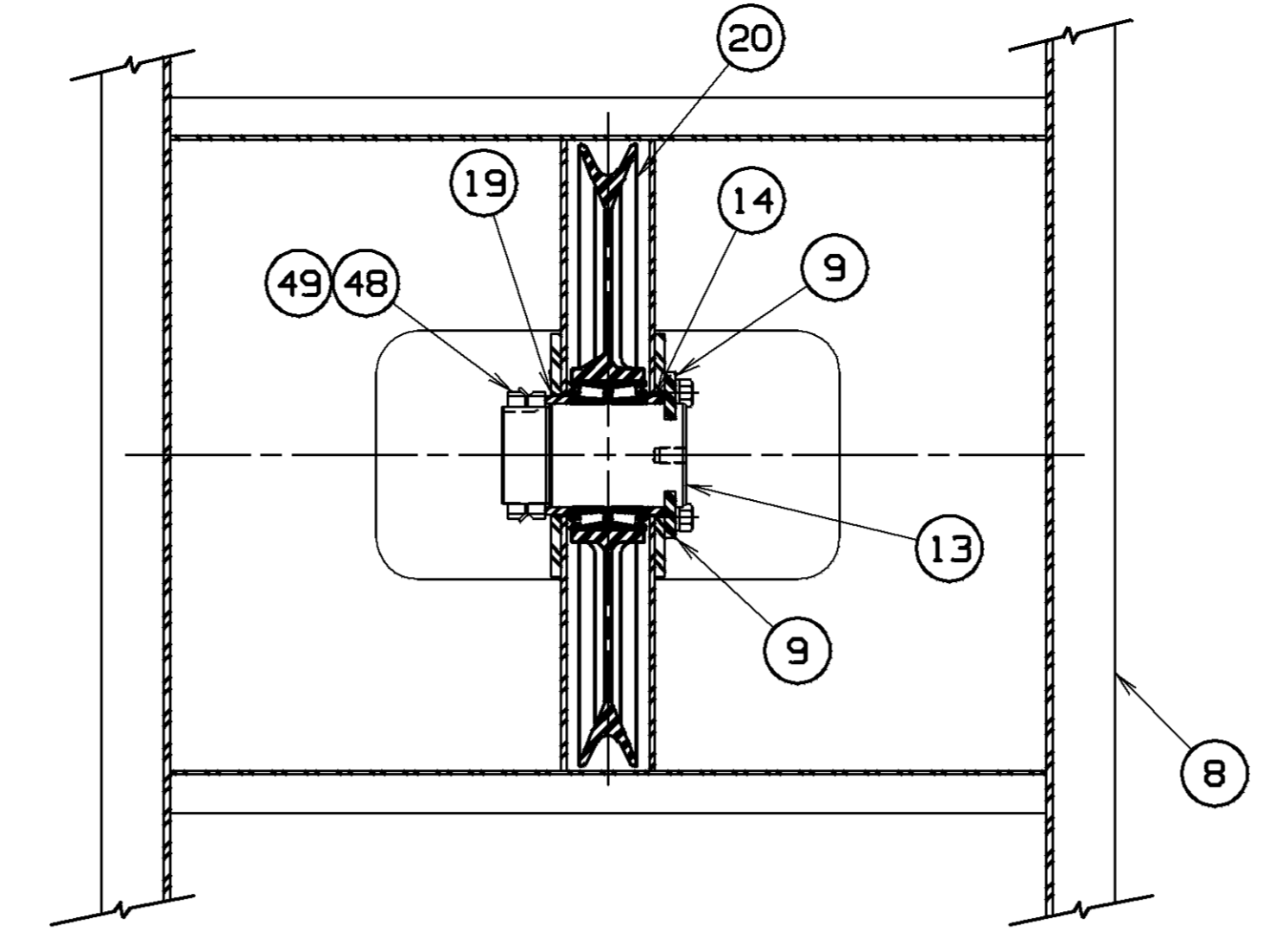
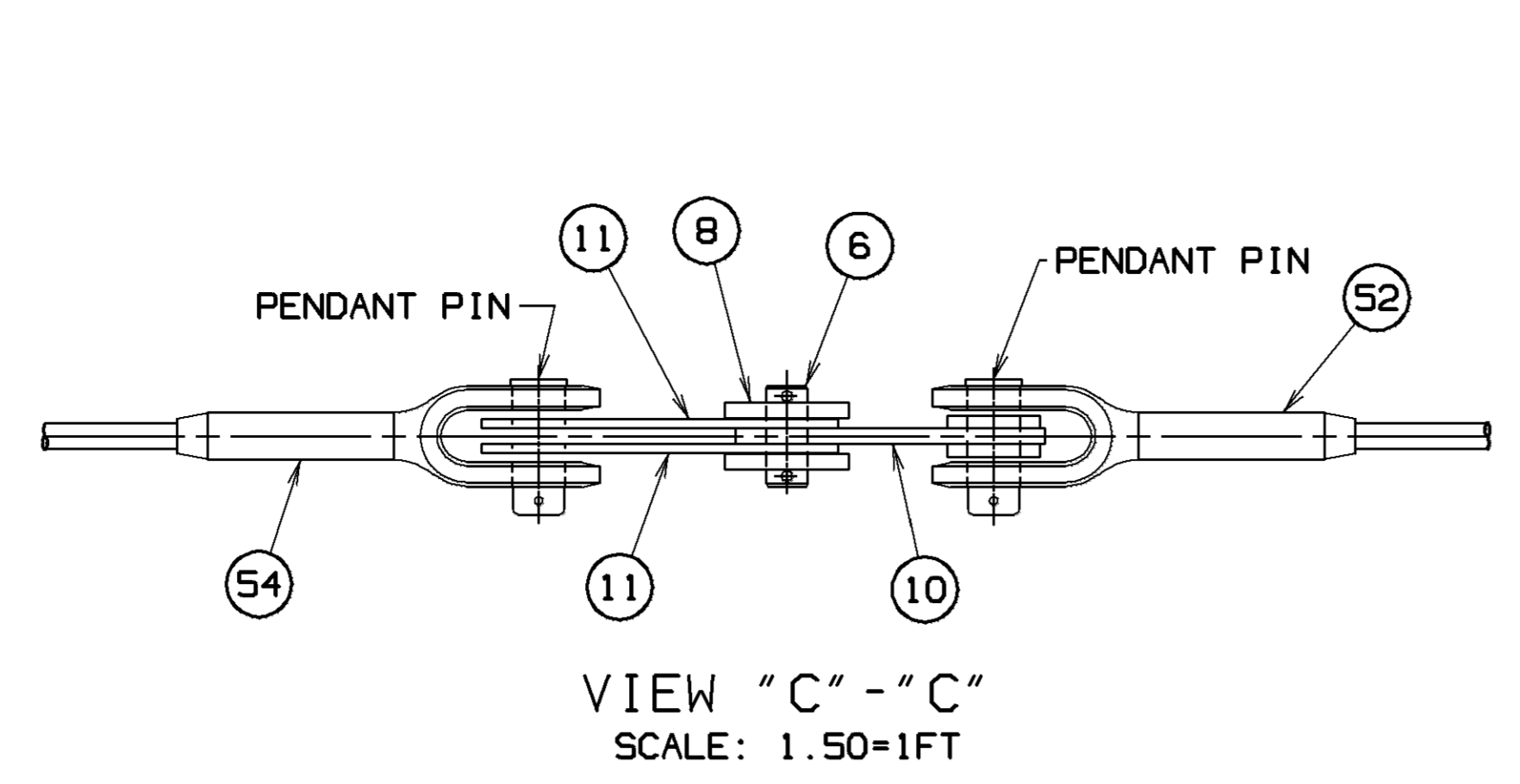
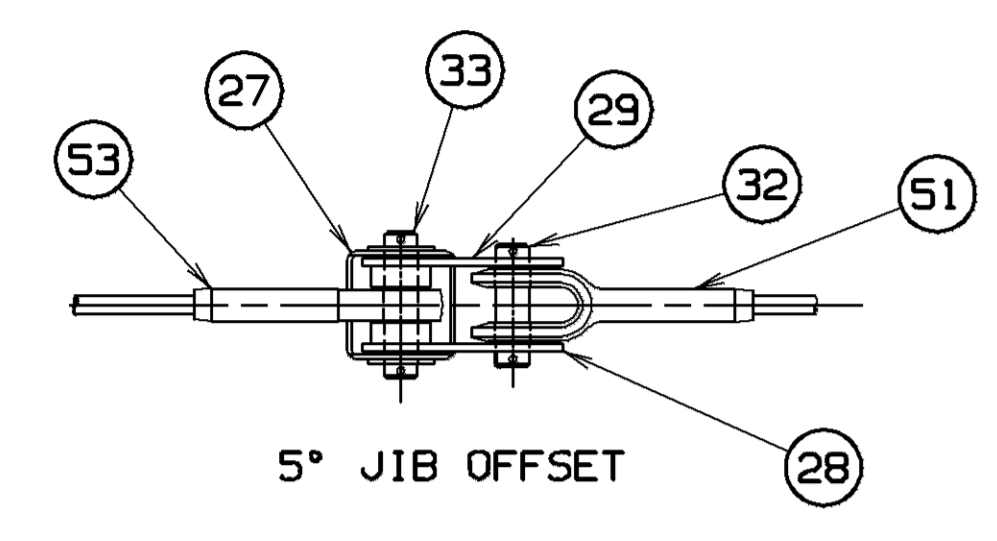


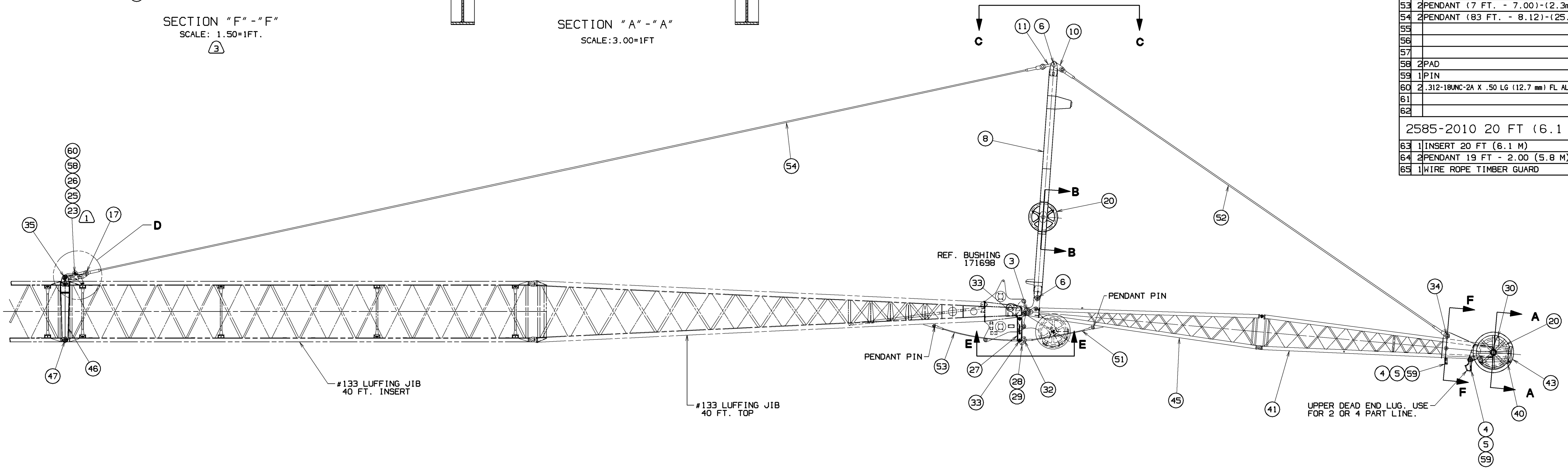
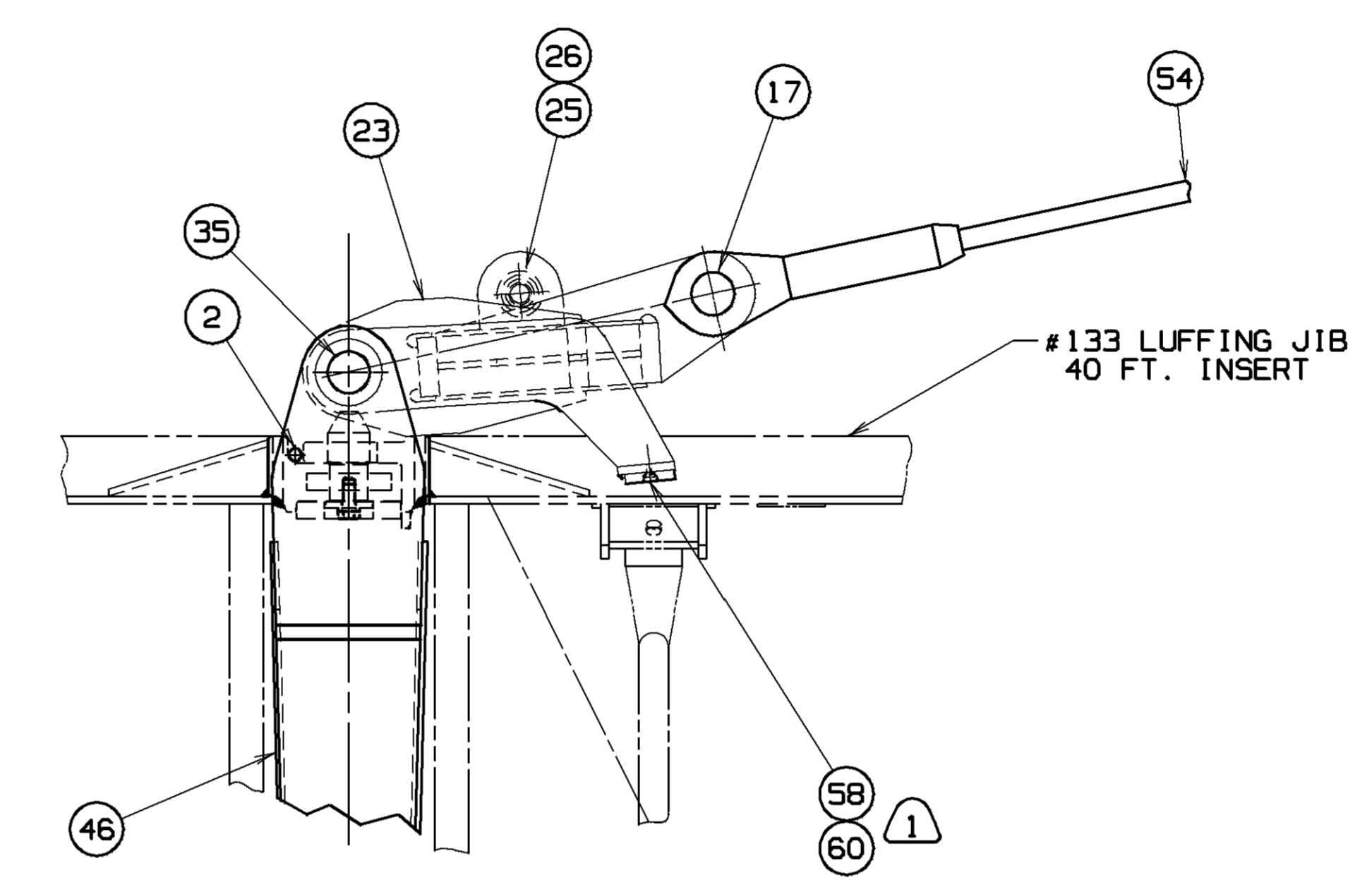
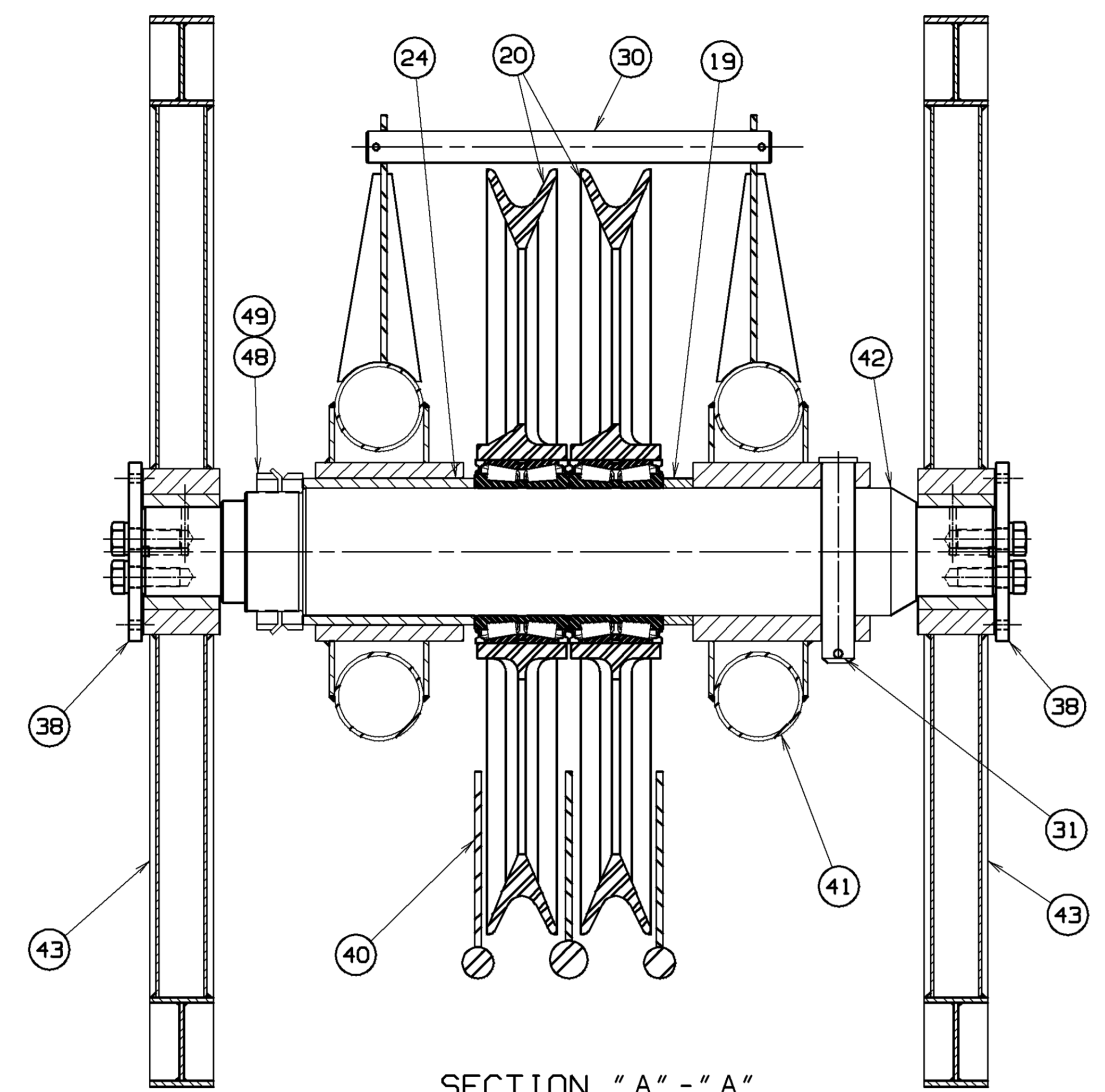
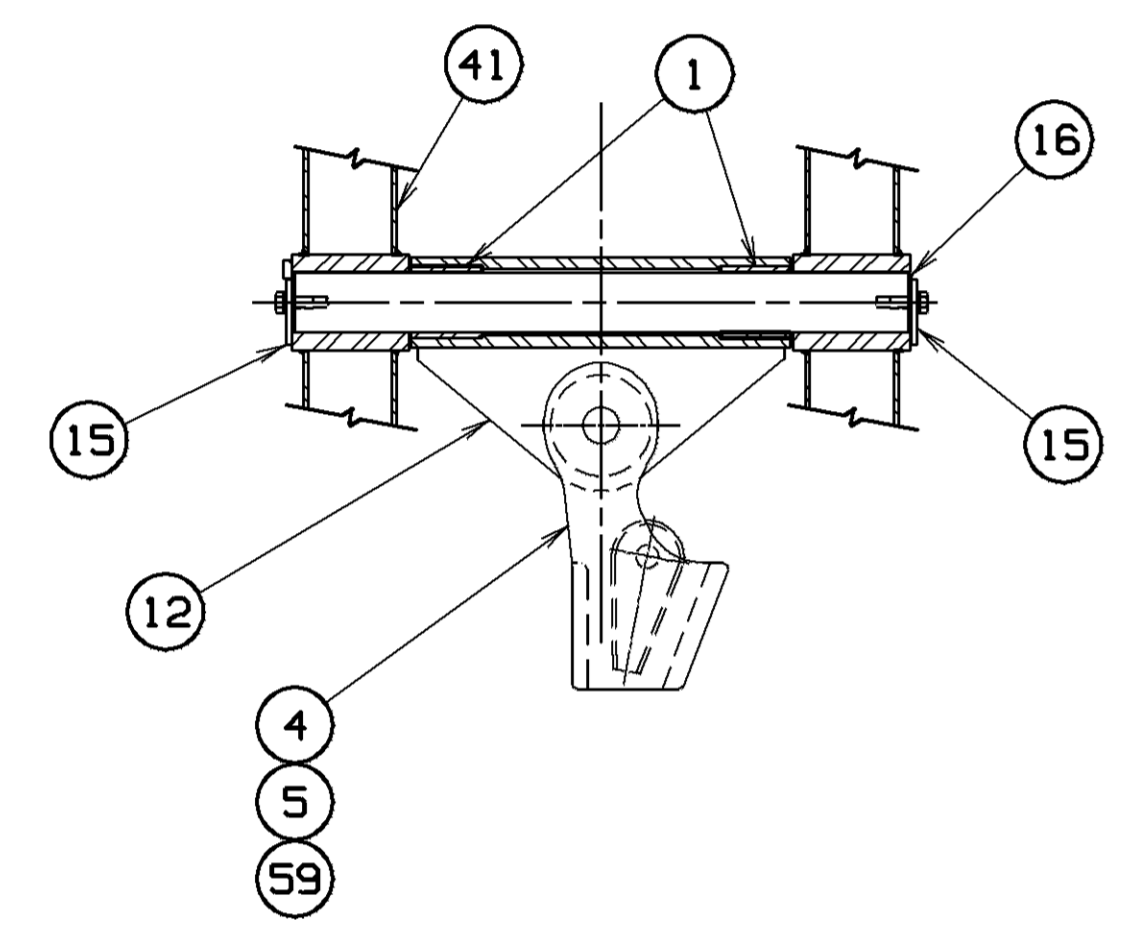
REQ'D FOR VARIOUS JIB LENGTHS				
ITEM NUMBER	63	64	65	
JIB LENGTH	20 FT INSERT (6.1m)	19 FT-2.00 PENDANT (5.8m)	WIRE ROPE TIMBER GUARD	
FEET	METERS			
60	18.3	1	2	1
80	24.4	2	4	2
100	30.5	3	6	3
120	36.6	4	8	4



- 1 APPLY LOCTITE 242 (MANITOWOC NO. 622293) OR EQUIVALENT TO SCREW 614083 AT ASSEMBLY.
- 2 ON DWG. 73026
- 3 CAN BE USED FOR DEAD END WITH 2 PART LINE. MUST BE REMOVED WHEN 2, 3 OR 4 PART LINE AND/OR UPPER DEAD END LUG IS USED.
- 4 TIGHTEN BEARING LOCKNUT (ITEM 48) SUFFICIENTLY TO CLAMP BEARING INNER RACE.
- 5 ON DWG. 77535



VIEW "E" - "E"
SCALE: 1.50=1FT



BILL OF MATERIAL				ASSEMBLIES USED ON
ITEM NO.	DESCRIPTION	MATERIAL	QTY	REV.
2585-2000 BASIC 40 FT. (12.2 M) JIB ASSEMBLY				
1	BUSHING		18129	
2	PIN		75465	
3	PIN		139102	
4	SOCKET		162233	
5	WEDGE		162234	
6	PIN		166901	
7				
8	JIB STRUT (20 FT)-(6.1m)		169803	
9	PIN KEEPER		169810	
10	LINK		169824	
11	LINK		169825	
12	DEAD END BAIL		169832	3
13	PIN		169836	
14	SPACER		169837	
15	END PLATE		169838	
16	PIN		169846	3
17	PIN		169849	
18				
19	SPACER		170677	
20	SHEAVE ASSEMBLY FOR 1.125 WIRE ROPE		171250	
21				
22				
23	BACKSTAY SUPPORT		192327	
24	SPACER		171845	
25	ROLLER		171848	
26	SHAFT		171849	
27	STRUT		192488	
28	LINK		171857	
29	LINK		171858	
30	ROPE GUARD		171863	
31	PIN		171864	
32	PIN		171867	
33	PIN		171868	
34	PIN		171869	
35	PIN		171870	
36				
37				
38	END PLATE		172110	
39				
40	ROPE GUARD		172222	
41	JIB TOP (20 FT)-(6.1m)		172680	
42	SHAFT		179171	
43	WHEEL ASSEMBLY		179175	
44				
45	JIB BUTT #140 (20 FT)-(6.1m)		192318	
46	LINK		193021	
47	ROOM JOINT PIN		192366	
48	BEARING LOCKNUT		225105	4
49	BEARING LOCKWASHER		225111	
50				
51	PENDANT (6 FT. - 0.00)-(1.8m)		276785	2
52	JIB BASIC PENDANT (40 FT.)-(12-19m)		276935	5
53	PENDANT (7 FT. - 7.00)-(2.3m)		277317	2
54	PENDANT (83 FT. - 8.12)-(25.5m)		277469	5
55				
56				
57				
58	PAD		554165	
59	PIN		563960	
60	.312-18UNC-2A X .50 LG (12.7 mm) FL AL HD CAPSCR		614083	1
61				
62				

2585-2010 20 FT (6.1 M) INSERT			
63	INSERT 20 FT (6.1 M)		172679
64	PENDANT 19 FT - 2.00 (5.8 M)		277360
65	WIRE ROPE TIMBER GUARD		171477

THIS PRINT REMAINS THE PROPERTY OF MANITOWOC CRANES, INC. ALL INFORMATION CONTAINED HEREIN IS CONFIDENTIAL. IT IS LOANED, SUBJECT TO RETURN AND NOT TO BE COPIED OR USED DIRECTLY OR INDIRECTLY IN ANY MANNER DETRIMENTAL TO OUR INTERESTS.		TOLERANCE UNLESS OTHERWISE SPECIFIED		SCALE		Mantowoc Cranes, Inc.		JIB ASSEMBLY	
DECIMAL PLACES	FABRICATION	MACHINING	1:1		Mantowoc, Wisconsin		#140 JIB		DATE
(1) PLACE 0.0	±.150	±.180	1:10 FEET > 10 FEET		MOD. 2250, M-250.		1.25 SWAGED PENDANTS		12-16-98
(2) PLACE 0.50	±.080	±.120	1:20		APP. GMP MAXER 225		WITH 133 LUFFING JIB		REVISIONS
(3) PLACE 0.000	±.005	±.005	1:50						193022
(4) PLACE 0.000	±.002	±.002	1:20						

DO NOT SCALE THIS DRAWING