

Liftcrane Jib Capacities

Jib No. 148 on
 Boom No. B15:505-500
 135 200 kg VPC (Variable Position Counterweight)
 360 Degree Rating

MLC300 SERIES 1



LIFTING CAPACITIES: Chart supplements Boom Capacity chart **No. 9680-AM**. Lifting capacities for various boom lengths, jib lengths, and jib operating radii are for freely suspended loads and may be based on percent of static tipping or strength of structural components. Capacities must be reduced by applicable deducts.

Weight of all load blocks, hooks, weight ball, slings, hoist lines, etc., beneath boom and jib point sheaves is considered part of the jib load. Boom and jib are not to be lowered beyond radii where combined weights are greater than rated capacity. Where no capacity is shown, operation is not intended or approved.

OPERATING CONDITIONS: Machine to operate on a firm, level, and uniformly supporting surface. Refer to Boom Rigging **No. 80109323**, Jib Rigging **No. 81023385**, Wire Rope Specifications chart **No. 9689-A**, Counterweight Arrangements chart **No. 9345-A**, and Wind Conditions chart **No. 9688-A**. Crane operator judgment must be used to allow for dynamic load effects of swinging, hoisting or lowering, travel, wind conditions, as well as adverse operating conditions and physical machine depreciation. Refer to the Operator Manual for operating guidelines.

MACHINE TRAVEL: Machine to travel on a firm, level, and uniformly supporting surface. Boom must be within boom angle range shown in capacity chart. Refer to Maximum Allowable Travel Specifications chart **No. 9687-A**.



OPERATING RADIUS: Operating radius is horizontal distance from axis of rotation to center of vertical hoist line or load block.



BOOM ANGLE: Boom angle in degrees ($^{\circ}$) is angle between horizontal and centerline of boom butt and inserts, and is an indication of operating radius. In all cases, operating radius shall govern capacity.



JIB POINT ELEVATION: Jib point elevation is vertical distance from ground level to centerline of jib point shaft.

MACHINE EQUIPMENT: Machine equipped with 9 700 mm crawlers, 1 219 mm or 1 524 mm treads, 9 144 mm live mast, 24 part boom hoist reeving, boom support straps, and 135 200 kg VPC.

Luffing Jib Backstay Deduct	
Boom Length (m)	Deduct (kg)
42,0	1 900
48,0	2 100
54,0	2 400
60,0	2 700
66,0	3 000
72,0	3 200

Deduct the appropriate value from capacities when luffing jib backstays are stored on boom.

Refer to Table 1 (with luffing jib backstays stored) and Table 2 (without luffing jib backstays stored) for raising ability with the maximum weight of all load blocks, hooks, weight ball, slings, and hoist lines beneath boom and jib point sheaves. For block weights shown with #, load blocks, hooks, weight ball, and slings must remain on ground until combined weights are within rated capacity of chart. Raising is not permitted in shaded areas of table.

Combined weight beneath boom and jib point sheaves must not exceed block weight shown. Total weight beneath jib point must not exceed 2 800 kg.

Table 1a: With Luffing Jib Backstays

Over End or Side of Crawlers						
Boom Length (m)	Jib No. 148					
	12,0 m	18,0 m	24,0 m	30,0 m	36,0 m	42,0 m
Block Weight (kg)						
42,0	10 300	10 300	10 300	10 300	10 300	10 300
48,0	10 300	10 300	10 300	7 100	7 100	3 700
54,0	7 100	7 100	3 700	3 700	#	#
60,0	3 700	#	#	#	#	#
66,0	#	Raising Not Permitted				
72,0	#					

Table 1b: With Luffing Jib Backstays

Over End of Blocked Crawlers						
Boom Length (m)	Jib No. 148					
	12,0 m	18,0 m	24,0 m	30,0 m	36,0 m	42,0 m
Block Weight (kg)						
42,0	10 300	10 300	10 300	10 300	10 300	10 300
48,0	10 300	10 300	10 300	7 100	7 100	3 700
54,0	7 100	7 100	3 700	3 700	#	#
60,0	3 700	#	#	#	#	#
66,0	#	#	#	#	#	#
72,0	#	Raising Not Permitted				

Warning: Crane must remain in-line with crawlers when raising over end of blocked crawlers until operating radius is within 360 degree chart. Crane tipping or structural damage can occur.

Table 2a: Without Luffing Jib Backstays

Over End or Side of Crawlers						
Boom Length (m)	Jib No. 148					
	12,0 m	18,0 m	24,0 m	30,0 m	36,0 m	42,0 m
	Block Weight (kg)					
42,0	10 300	10 300	10 300	10 300	10 300	10 300
48,0	10 300	10 300	10 300	10 300	7 100	7 100
54,0	7 100	7 100	3 700	3 700	3 700	#
60,0	3 700	3 700	#	#	#	#
66,0	#	#	#	#	#	#
72,0	Raising Not Permitted					

Table 2b: Without Luffing Jib Backstays

Over End of Blocked Crawlers						
Boom Length (m)	Jib No. 148					
	12,0 m	18,0 m	24,0 m	30,0 m	36,0 m	42,0 m
	Block Weight (kg)					
42,0	10 300	10 300	10 300	10 300	10 300	10 300
48,0	10 300	10 300	10 300	10 300	7 100	7 100
54,0	7 100	7 100	3 700	3 700	3 700	#
60,0	3 700	3 700	#	#	#	#
66,0	#	#	#	#	#	#
72,0	#	#	Raising Not Permitted			
Warning: Crane must remain in-line with crawlers when raising over end of blocked crawlers until operating radius is within 360 degree chart. Crane tipping or structural damage can occur.						

REFERENCED TO MANITOWOC CRANES!

Explanation of Symbols



Jib No. 148
+
Boom No. B15:505-500



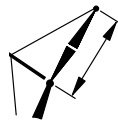
VPC (Variable Position Counterweight)



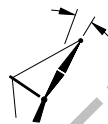
360 Degree Rating



Boom Length



Jib Length



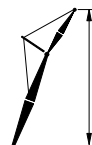
Jib Offset Angle



Operating Radius
(see page 1)



Boom Angle
(see page 1)



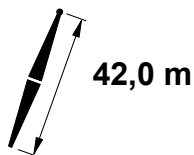
Jib Point Elevation
(see page 1)



Lifting Capacities
(see page 1)

MLC300 S-1

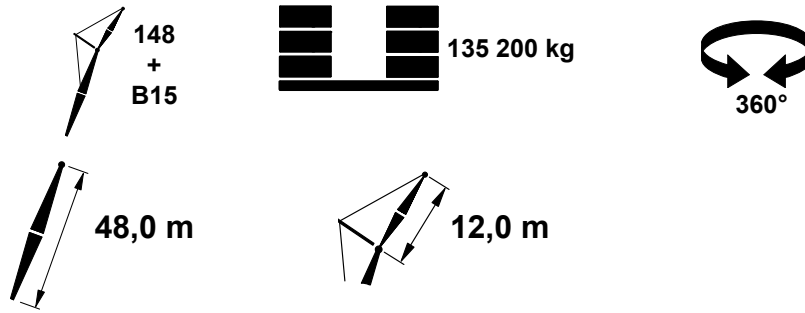
ASME B30.5



	10°			20°			
	m	o	m	kg	o	m	
9,1	84,9	55,9	65 000				9,1
10,0	84,0	55,8	65 000				10,0
11,0	82,9	55,6	65 000	84,9	55,1	65 000	11,0
12,0	81,8	55,4	65 000	83,8	55,0	64 600	12,0
13,0	80,7	55,2	65 000	82,7	54,8	62 600	13,0
14,0	79,7	55,0	65 000	81,6	54,5	60 500	14,0
15,0	78,6	54,7	65 000	80,5	54,3	58 500	15,0
16,0	77,5	54,5	65 000	79,4	54,0	56 600	16,0
17,0	76,4	54,2	65 000	78,3	53,7	54 900	17,0
18,0	75,3	53,9	65 000	77,2	53,4	53 300	18,0
19,0	74,2	53,6	63 200	76,1	53,1	51 700	19,0
20,0	73,1	53,2	60 600	74,9	52,7	50 300	20,0
22,0	70,8	52,4	53 800	72,7	51,9	47 700	22,0
24,0	68,5	51,6	48 300	70,3	51,1	45 300	24,0
26,0	66,1	50,6	43 700	68,0	50,1	43 200	26,0
28,0	63,8	49,6	39 900	65,6	49,0	40 100	28,0
30,0	61,3	48,4	36 600	63,1	47,8	36 800	30,0
32,0	58,8	47,1	33 700	60,5	46,5	33 900	32,0
34,0	56,2	45,7	31 300	57,9	45,1	31 400	34,0
36,0	53,5	44,1	29 100	55,2	43,5	29 200	36,0
38,0	50,7	42,4	27 200	52,4	41,7	27 300	38,0
40,0	47,8	40,5	25 300	49,4	39,8	25 500	40,0
42,0	44,7	38,3	23 300	46,3	37,6	23 600	42,0
44,0	41,5	36,0	21 500	42,9	35,2	21 800	44,0
46,0	37,9	33,3	19 900	39,3	32,5	20 100	46,0
48,0	34,0	30,2	18 400	35,3	29,3	18 600	48,0
50,0	29,7	26,6	17 100	30,8	25,6	17 200	50,0
52,0	24,5	22,1	15 800				52,0

MLC300 S-1

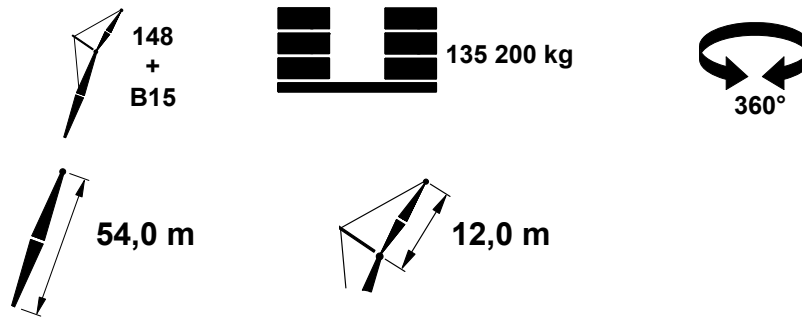
ASME B30.5



m	10°			20°			m
	°	m	kg	°	m	kg	
9,8	84,8	61,9	65 000				9,8
10,0	84,6	61,8	65 000				10,0
11,0	83,6	61,7	65 000				11,0
12,0	82,7	61,5	65 000	84,4	61,1	64 800	12,0
13,0	81,7	61,3	65 000	83,5	60,9	63 600	13,0
14,0	80,7	61,1	65 000	82,5	60,7	62 000	14,0
15,0	79,7	60,9	65 000	81,5	60,4	60 100	15,0
16,0	78,8	60,7	65 000	80,5	60,2	58 300	16,0
17,0	77,8	60,4	65 000	79,5	59,9	56 700	17,0
18,0	76,8	60,2	65 000	78,5	59,7	55 100	18,0
19,0	75,8	59,9	63 300	77,5	59,4	53 600	19,0
20,0	74,8	59,5	60 800	76,5	59,1	52 200	20,0
22,0	72,8	58,9	54 000	74,5	58,4	49 700	22,0
24,0	70,8	58,1	48 500	72,4	57,6	47 400	24,0
26,0	68,7	57,3	43 900	70,4	56,7	44 100	26,0
28,0	66,6	56,3	40 100	68,2	55,8	40 300	28,0
30,0	64,5	55,3	36 800	66,1	54,8	37 000	30,0
32,0	62,3	54,2	33 900	63,9	53,6	34 100	32,0
34,0	60,1	52,9	31 500	61,6	52,4	31 600	34,0
36,0	57,8	51,6	29 100	59,3	51,0	29 400	36,0
38,0	55,4	50,2	26 700	56,9	49,6	27 200	38,0
40,0	53,0	48,6	24 600	54,5	48,0	25 000	40,0
42,0	50,5	46,8	22 600	51,9	46,2	23 000	42,0
44,0	47,8	44,9	20 800	49,3	44,3	21 200	44,0
46,0	45,1	42,8	19 200	46,5	42,2	19 500	46,0
48,0	42,2	40,5	17 700	43,5	39,8	18 000	48,0
50,0	39,1	38,0	16 400	40,4	37,2	16 600	50,0
52,0	35,8	35,1	15 100	36,9	34,2	15 300	52,0
54,0	32,1	31,8	14 000	33,2	30,9	14 100	54,0
56,0	28,0	28,0	12 900	28,9	26,8	13 000	56,0
58,0	23,1	23,2	11 900				58,0

MLC300 S-1

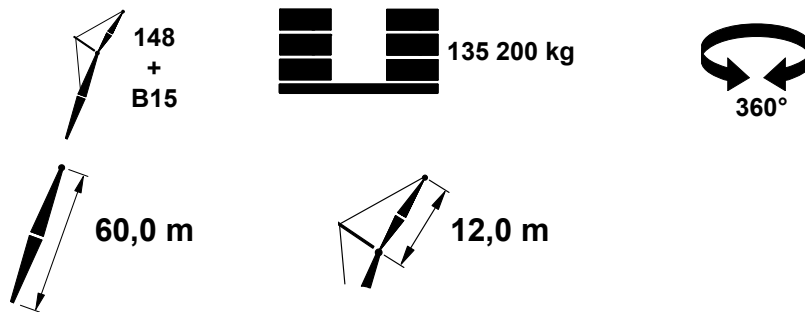
ASME B30.5



m	10°			20°			m
	°	m	kg	°	m	kg	
10,4	84,8	67,8	65 000				10,4
11,0	84,2	67,8	65 000				11,0
12,0	83,3	67,6	65 000				12,0
13,0	82,4	67,4	65 000	84,1	67,0	64 000	13,0
14,0	81,6	67,3	65 000	83,2	66,8	63 200	14,0
15,0	80,7	67,1	65 000	82,3	66,6	61 400	15,0
16,0	79,8	66,8	65 000	81,4	66,4	59 800	16,0
17,0	78,9	66,6	65 000	80,5	66,1	58 200	17,0
18,0	78,0	66,4	65 000	79,6	65,9	56 700	18,0
19,0	77,1	66,1	63 400	78,7	65,6	55 300	19,0
20,0	76,2	65,8	61 000	77,8	65,3	53 900	20,0
22,0	74,4	65,2	54 300	76,0	64,7	51 500	22,0
24,0	72,6	64,5	48 700	74,1	64,0	48 600	24,0
26,0	70,7	63,8	44 100	72,3	63,2	44 400	26,0
28,0	68,9	62,9	40 300	70,4	62,4	40 500	28,0
30,0	67,0	62,0	37 000	68,5	61,5	37 200	30,0
32,0	65,0	61,0	34 100	66,5	60,5	34 300	32,0
34,0	63,1	59,9	31 100	64,5	59,4	31 700	34,0
36,0	61,1	58,8	28 400	62,5	58,2	28 900	36,0
38,0	59,0	57,5	25 900	60,4	56,9	26 400	38,0
40,0	56,9	56,1	23 800	58,3	55,5	24 200	40,0
42,0	54,8	54,6	21 800	56,1	54,0	22 200	42,0
44,0	52,6	53,0	20 000	53,9	52,4	20 400	44,0
46,0	50,3	51,3	18 400	51,6	50,7	18 800	46,0
48,0	47,9	49,4	17 000	49,2	48,7	17 300	48,0
50,0	45,4	47,4	15 600	46,6	46,7	15 900	50,0
52,0	42,8	45,1	14 400	44,0	44,4	14 600	52,0
54,0	40,1	42,6	13 200	41,2	41,9	13 400	54,0
56,0	37,1	39,9	12 200	38,2	39,1	12 300	56,0
58,0	34,0	36,8	11 200	35,0	35,9	11 300	58,0
60,0	30,5	33,4	10 200	31,4	32,3	10 300	60,0
62,0	26,6	29,3	9 300				62,0
64,0	21,9	24,3	8 500				64,0

MLC300 S-1

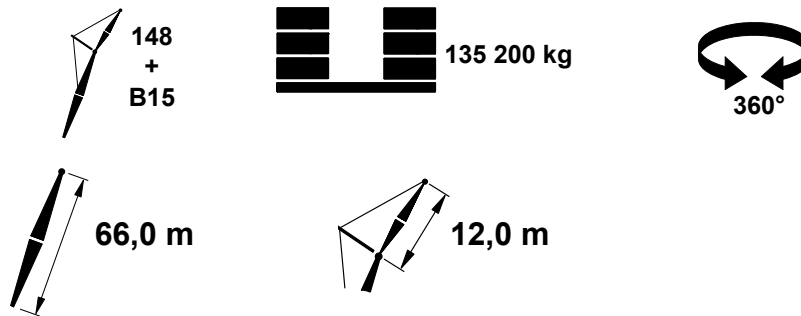
ASME B30.5



m	10°			20°			m
	°	m	kg	°	m	kg	
11,0	84,7	73,8	65 000				11,0
12,0	83,9	73,7	65 000				12,0
13,0	83,1	73,5	65 000				13,0
14,0	82,3	73,4	65 000	83,8	72,9	63 300	14,0
15,0	81,5	73,2	65 000	82,9	72,7	62 400	15,0
16,0	80,7	73,0	65 000	82,1	72,5	61 000	16,0
17,0	79,9	72,8	65 000	81,3	72,3	59 500	17,0
18,0	79,0	72,5	65 000	80,5	72,0	58 100	18,0
19,0	78,2	72,3	63 500	79,7	71,8	56 700	19,0
20,0	77,4	72,0	61 200	78,8	71,5	55 400	20,0
22,0	75,8	71,5	54 400	77,2	71,0	53 000	22,0
24,0	74,1	70,9	48 900	75,5	70,3	49 100	24,0
26,0	72,4	70,2	44 300	73,8	69,7	44 500	26,0
28,0	70,7	69,4	40 500	72,1	68,9	40 700	28,0
30,0	69,0	68,6	36 800	70,4	68,1	37 400	30,0
32,0	67,3	67,7	33 300	68,6	67,2	34 100	32,0
34,0	65,5	66,7	30 300	66,9	66,2	30 900	34,0
36,0	63,7	65,7	27 500	65,1	65,1	28 100	36,0
38,0	61,9	64,6	25 100	63,2	64,0	25 700	38,0
40,0	60,1	63,4	22 900	61,3	62,8	23 500	40,0
42,0	58,2	62,0	21 000	59,4	61,5	21 500	42,0
44,0	56,2	60,6	19 200	57,5	60,0	19 700	44,0
46,0	54,2	59,1	17 600	55,5	58,5	18 000	46,0
48,0	52,2	57,5	16 200	53,4	56,9	16 600	48,0
50,0	50,1	55,8	14 800	51,3	55,1	15 200	50,0
52,0	47,9	53,9	13 600	49,1	53,2	13 900	52,0
54,0	45,7	51,9	12 500	46,8	51,2	12 700	54,0
56,0	43,3	49,7	11 400	44,4	48,9	11 600	56,0
58,0	40,8	47,3	10 400	41,9	46,5	10 600	58,0
60,0	38,2	44,6	9 500	39,2	43,8	9 700	60,0
62,0	35,4	41,7	8 600	36,4	40,8	8 800	62,0
64,0	32,4	38,5	7 800	33,3	37,5	7 900	64,0
66,0	29,1	34,8	7 000	29,8	33,7	7 100	66,0
68,0	25,3	30,5	6 300				68,0
70,0	20,9	25,3	5 600				70,0

MLC300 S-1

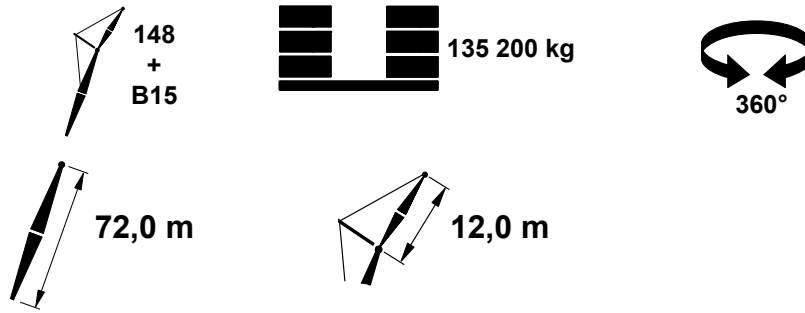
ASME B30.5



	10°			20°			
	o	m	kg	o	m	kg	
11,6	84,7	79,8	65 000				11,6
12,0	84,4	79,7	65 000				12,0
13,0	83,6	79,6	65 000				13,0
14,0	82,9	79,4	65 000	84,2	78,9	62 800	14,0
15,0	82,1	79,2	65 000	83,5	78,7	62 500	15,0
16,0	81,4	79,1	65 000	82,7	78,6	61 700	16,0
17,0	80,6	78,9	64 900	82,0	78,4	60 600	17,0
18,0	79,9	78,7	64 900	81,2	78,2	59 200	18,0
19,0	79,1	78,4	63 500	80,5	77,9	57 900	19,0
20,0	78,4	78,2	61 300	79,7	77,7	56 700	20,0
22,0	76,9	77,7	54 600	78,2	77,2	53 900	22,0
24,0	75,4	77,1	49 100	76,7	76,6	49 300	24,0
26,0	73,8	76,5	44 400	75,1	76,0	44 700	26,0
28,0	72,3	75,8	40 100	73,6	75,3	40 800	28,0
30,0	70,7	75,0	36 000	72,0	74,5	36 900	30,0
32,0	69,1	74,2	32 400	70,4	73,7	33 200	32,0
34,0	67,5	73,4	29 400	68,8	72,8	30 100	34,0
36,0	65,9	72,4	26 700	67,1	71,9	27 400	36,0
38,0	64,3	71,4	24 300	65,5	70,8	24 900	38,0
40,0	62,6	70,3	22 100	63,8	69,7	22 700	40,0
42,0	60,9	69,1	20 200	62,1	68,6	20 700	42,0
44,0	59,2	67,9	18 400	60,4	67,3	18 900	44,0
46,0	57,4	66,5	16 800	58,6	65,9	17 300	46,0
48,0	55,6	65,1	15 400	56,8	64,5	15 800	48,0
50,0	53,8	63,6	14 000	54,9	63,0	14 400	50,0
52,0	51,9	62,0	12 800	53,0	61,3	13 100	52,0
54,0	49,9	60,2	11 700	51,0	59,5	12 000	54,0
56,0	47,9	58,3	10 600	49,0	57,6	10 900	56,0
58,0	45,8	56,3	9 600	46,9	55,6	9 900	58,0
60,0	43,7	54,2	8 700	44,7	53,4	8 900	60,0
62,0	41,4	51,8	7 800	42,4	51,0	8 100	62,0
64,0	39,1	49,3	7 000	40,0	48,4	7 200	64,0
66,0	36,6	46,5	6 300	37,4	45,6	6 400	66,0
68,0	33,9	43,4	5 600	34,7	42,5	5 700	68,0
70,0	31,0	40,0	4 900	31,7	39,0	5 000	70,0
72,0	27,8	36,2	4 200	28,4	35,0	4 300	72,0
74,0	24,2	31,6	3 600				74,0

MLC300 S-1

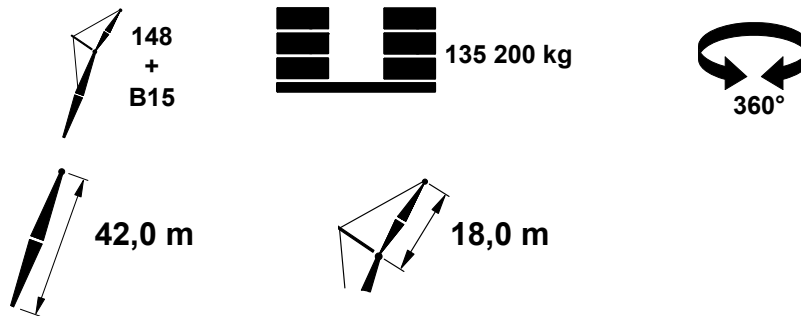
ASME B30.5



m	10°			20°			m
	°	m	kg	°	m	kg	
12,2	84,6	85,7	65 000				12,2
13,0	84,1	85,6	65 000				13,0
14,0	83,4	85,5	64 900	84,7	85,0	60 800	14,0
15,0	82,7	85,3	64 700	84,0	84,8	60 500	15,0
16,0	82,0	85,2	64 600	83,3	84,7	60 100	16,0
17,0	81,3	85,0	64 400	82,6	84,5	59 800	17,0
18,0	80,6	84,8	64 200	81,9	84,3	59 500	18,0
19,0	79,9	84,6	63 200	81,2	84,1	58 800	19,0
20,0	79,2	84,4	61 400	80,5	83,9	57 800	20,0
22,0	77,8	83,9	54 700	79,1	83,4	54 600	22,0
24,0	76,4	83,4	49 200	77,7	82,8	49 500	24,0
26,0	75,0	82,8	43 900	76,2	82,3	44 800	26,0
28,0	73,6	82,1	39 200	74,8	81,6	40 200	28,0
30,0	72,1	81,5	35 100	73,3	80,9	36 100	30,0
32,0	70,7	80,7	31 600	71,9	80,2	32 400	32,0
34,0	69,2	79,9	28 500	70,4	79,4	29 300	34,0
36,0	67,7	79,0	25 800	68,9	78,5	26 600	36,0
38,0	66,2	78,1	23 400	67,4	77,6	24 100	38,0
40,0	64,7	77,1	21 300	65,9	76,6	21 900	40,0
42,0	63,2	76,1	19 300	64,3	75,5	19 900	42,0
44,0	61,6	74,9	17 600	62,7	74,3	18 100	44,0
46,0	60,0	73,7	16 000	61,1	73,1	16 500	46,0
48,0	58,4	72,4	14 500	59,5	71,8	15 000	48,0
50,0	56,8	71,1	13 200	57,9	70,5	13 600	50,0
52,0	55,1	69,6	12 000	56,2	69,0	12 400	52,0
54,0	53,4	68,1	10 800	54,4	67,4	11 200	54,0
56,0	51,6	66,4	9 800	52,6	65,8	10 100	56,0
58,0	49,8	64,7	8 800	50,8	64,0	9 100	58,0
60,0	47,9	62,8	7 900	48,9	62,1	8 200	60,0
62,0	46,0	60,8	7 000	47,0	60,1	7 300	62,0
64,0	44,0	58,7	6 200	45,0	57,9	6 500	64,0
66,0	42,0	56,4	5 500	42,9	55,6	5 700	66,0
68,0	39,8	53,9	4 800	40,7	53,1	5 000	68,0
70,0	37,5	51,2	4 100	38,4	50,4	4 300	70,0
72,0	35,1	48,3	3 500	35,9	47,4	3 600	72,0

MLC300 S-1

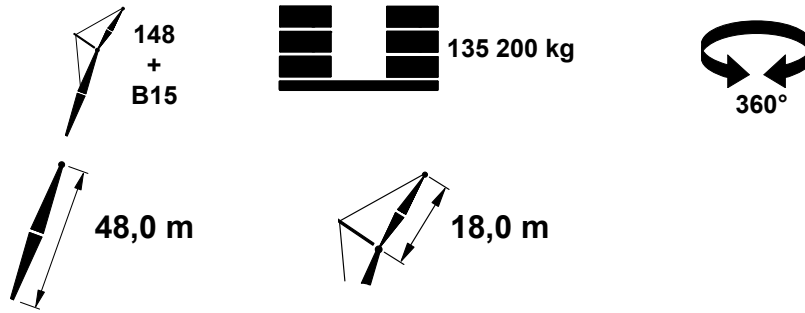
ASME B30.5



	10°			20°			
	Reach (m)	Angle (°)	Height (m)	Capacity (kg)	Reach (m)	Angle (°)	
11,6	84,6	61,5	52 200				11,6
12,0	84,2	61,4	51 800				12,0
13,0	83,2	61,2	50 800				13,0
14,0	82,2	61,0	49 900				14,0
15,0	81,2	60,8	49 000				15,0
16,0	80,3	60,6	48 200	82,9	59,9	39 300	16,0
17,0	79,3	60,3	47 400	81,9	59,6	38 100	17,0
18,0	78,3	60,0	46 600	80,9	59,4	37 000	18,0
19,0	77,3	59,7	45 800	79,9	59,1	35 900	19,0
20,0	76,3	59,4	45 100	78,9	58,7	34 900	20,0
22,0	74,3	58,7	43 700	76,9	58,0	33 100	22,0
24,0	72,2	58,0	41 800	74,8	57,3	31 400	24,0
26,0	70,2	57,1	39 400	72,7	56,4	30 000	26,0
28,0	68,1	56,2	37 300	70,6	55,5	28 600	28,0
30,0	65,9	55,2	35 300	68,4	54,4	27 400	30,0
32,0	63,7	54,0	33 500	66,2	53,3	26 300	32,0
34,0	61,5	52,8	31 300	63,9	52,0	25 300	34,0
36,0	59,2	51,5	29 100	61,6	50,7	24 400	36,0
38,0	56,9	50,0	27 200	59,2	49,2	23 500	38,0
40,0	54,4	48,4	25 500	56,7	47,6	22 700	40,0
42,0	51,9	46,7	23 900	54,1	45,8	22 000	42,0
44,0	49,3	44,8	22 500	51,4	43,8	21 400	44,0
46,0	46,5	42,7	21 000	48,6	41,7	20 800	46,0
48,0	43,6	40,4	19 500	45,6	39,3	19 800	48,0
50,0	40,5	37,8	18 100	42,4	36,7	18 400	50,0
52,0	37,1	34,9	16 800	39,0	33,7	17 100	52,0
54,0	33,5	31,6	15 600	35,1	30,2	15 800	54,0
56,0	29,3	27,7	14 500	30,7	26,1	14 700	56,0
58,0	24,3	22,9	13 500				58,0

MLC300 S-1

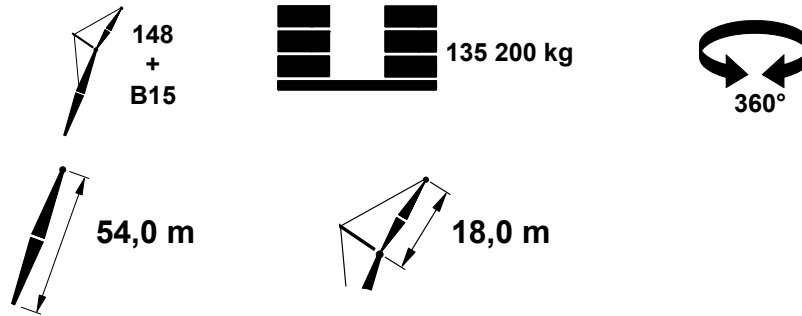
ASME B30.5



m	10°			20°			m
	°	m	kg	°	m	kg	
12,2	84,5	67,4	51 700				12,2
13,0	83,8	67,3	51 000				13,0
14,0	82,9	67,1	50 200				14,0
15,0	82,1	66,9	49 400				15,0
16,0	81,2	66,7	48 600	83,6	66,0	40 100	16,0
17,0	80,3	66,5	47 900	82,7	65,8	38 900	17,0
18,0	79,4	66,2	47 200	81,8	65,5	37 900	18,0
19,0	78,5	66,0	46 500	80,9	65,3	36 800	19,0
20,0	77,6	65,7	45 800	80,0	65,0	35 900	20,0
22,0	75,8	65,1	44 500	78,1	64,4	34 100	22,0
24,0	73,9	64,4	43 300	76,3	63,7	32 500	24,0
26,0	72,1	63,6	41 600	74,4	62,9	31 100	26,0
28,0	70,2	62,8	39 400	72,5	62,1	29 800	28,0
30,0	68,3	61,9	36 800	70,6	61,1	28 600	30,0
32,0	66,4	60,9	33 900	68,6	60,1	27 500	32,0
34,0	64,4	59,8	31 500	66,6	59,0	26 500	34,0
36,0	62,4	58,6	29 300	64,6	57,8	25 600	36,0
38,0	60,3	57,4	27 300	62,5	56,5	24 700	38,0
40,0	58,2	56,0	25 600	60,4	55,1	23 900	40,0
42,0	56,1	54,5	23 600	58,2	53,6	23 200	42,0
44,0	53,9	52,9	21 800	55,9	52,0	22 300	44,0
46,0	51,6	51,1	20 200	53,6	50,2	20 700	46,0
48,0	49,2	49,2	18 700	51,1	48,3	19 200	48,0
50,0	46,7	47,2	17 400	48,6	46,2	17 800	50,0
52,0	44,1	44,9	16 100	45,9	43,9	16 500	52,0
54,0	41,3	42,4	15 000	43,1	41,3	15 300	54,0
56,0	38,4	39,7	13 900	40,0	38,5	14 100	56,0
58,0	35,2	36,6	12 900	36,7	35,3	13 100	58,0
60,0	31,7	33,1	11 900	33,1	31,6	12 100	60,0
62,0	27,7	29,0	11 000				62,0
64,0	23,0	23,9	10 100				64,0

MLC300 S-1

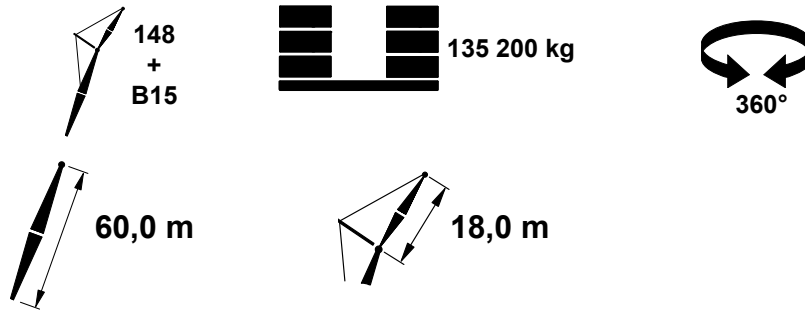
ASME B30.5



	10°			20°			
	Diagram	Diagram	Diagram	Diagram	Diagram	Diagram	
	m	°	m	kg	°	m	kg
12,2	85,0	73,5	51 400				12,2
13,0	84,3	73,4	50 900				13,0
14,0	83,5	73,2	50 300				14,0
15,0	82,7	73,0	49 600				15,0
16,0	81,9	72,8	48 900			40 700	16,0
17,0	81,1	72,6	48 200	84,1	72,1	39 600	17,0
18,0	80,3	72,4	47 600	82,5	71,7	38 600	18,0
19,0	79,5	72,2	46 900	81,7	71,4	37 600	19,0
20,0	78,7	71,9	46 300	80,8	71,2	36 700	20,0
22,0	77,0	71,3	45 100	79,2	70,6	35 000	22,0
24,0	75,3	70,7	44 000	77,5	70,0	33 500	24,0
26,0	73,7	70,0	42 900	75,8	69,3	32 100	26,0
28,0	72,0	69,3	40 200	74,1	68,5	30 800	28,0
30,0	70,2	68,5	36 900	72,3	67,7	29 600	30,0
32,0	68,5	67,6	34 100	70,6	66,8	28 600	32,0
34,0	66,7	66,6	31 600	68,8	65,8	27 600	34,0
36,0	64,9	65,5	29 300	67,0	64,7	26 600	36,0
38,0	63,1	64,4	27 000	65,1	63,6	25 800	38,0
40,0	61,3	63,2	24 800	63,2	62,4	24 900	40,0
42,0	59,4	61,9	22 800	61,3	61,0	23 500	42,0
44,0	57,4	60,5	21 100	59,3	59,6	21 700	44,0
46,0	55,4	59,0	19 400	57,3	58,1	20 000	46,0
48,0	53,4	57,3	18 000	55,2	56,4	18 500	48,0
50,0	51,3	55,6	16 600	53,1	54,6	17 100	50,0
52,0	49,1	53,7	15 300	50,9	52,7	15 800	52,0
54,0	46,8	51,7	14 200	48,6	50,6	14 600	54,0
56,0	44,5	49,5	13 100	46,1	48,4	13 500	56,0
58,0	42,0	47,1	12 100	43,6	45,9	12 400	58,0
60,0	39,3	44,4	11 200	40,9	43,2	11 400	60,0
62,0	36,5	41,5	10 300	38,0	40,2	10 500	62,0
64,0	33,5	38,2	9 500	34,8	36,8	9 600	64,0
66,0	30,1	34,5	8 700	31,3	32,9	8 800	66,0
68,0	26,3	30,2	7 900				68,0
70,0	21,8	24,9	7 200				70,0

MLC300 S-1

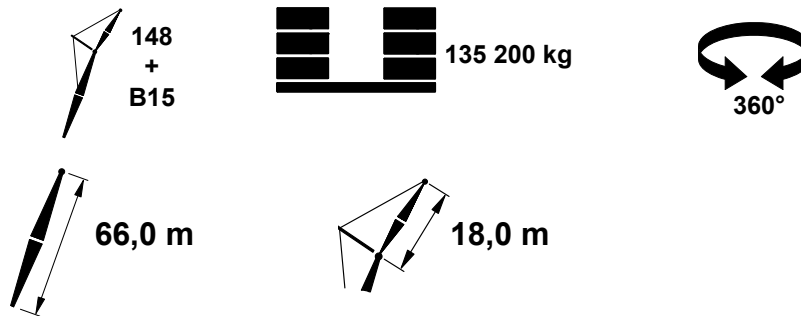
ASME B30.5



	10°			20°			
	m	°	m	kg	°	m	
13,7	84,2	79,3	50 400				13,7
14,0	84,0	79,3	50 200				14,0
15,0	83,3	79,1	49 600				15,0
16,0	82,5	79,0	48 900				16,0
17,0	81,8	78,8	48 300				17,0
18,0	81,1	78,5	47 800	83,8	78,0	40 200	18,0
19,0	80,3	78,3	47 200	82,3	77,6	38 300	19,0
20,0	79,5	78,1	46 600	81,6	77,4	37 400	20,0
22,0	78,0	77,6	45 500	80,0	76,8	35 800	22,0
24,0	76,5	77,0	44 500	78,5	76,3	34 300	24,0
26,0	75,0	76,4	43 400	76,9	75,6	33 000	26,0
28,0	73,4	75,7	40 400	75,4	74,9	31 700	28,0
30,0	71,9	74,9	37 100	73,8	74,2	30 600	30,0
32,0	70,3	74,1	34 200	72,2	73,3	29 500	32,0
34,0	68,7	73,2	31 400	70,6	72,4	28 500	34,0
36,0	67,0	72,3	28 600	68,9	71,5	27 600	36,0
38,0	65,4	71,3	26 200	67,3	70,5	26 800	38,0
40,0	63,7	70,2	24 000	65,6	69,4	24 800	40,0
42,0	62,0	69,0	22 000	63,8	68,2	22 800	42,0
44,0	60,3	67,8	20 300	62,1	66,9	20 900	44,0
46,0	58,5	66,4	18 600	60,3	65,5	19 300	46,0
48,0	56,7	65,0	17 200	58,5	64,1	17 700	48,0
50,0	54,9	63,4	15 800	56,6	62,5	16 300	50,0
52,0	53,0	61,8	14 600	54,7	60,9	15 100	52,0
54,0	51,0	60,1	13 400	52,7	59,1	13 900	54,0
56,0	49,0	58,2	12 300	50,6	57,2	12 800	56,0
58,0	46,9	56,2	11 300	48,5	55,1	11 700	58,0
60,0	44,8	54,0	10 400	46,3	52,9	10 800	60,0
62,0	42,5	51,6	9 500	44,0	50,5	9 800	62,0
64,0	40,1	49,1	8 700	41,6	47,9	9 000	64,0
66,0	37,6	46,3	8 000	39,0	45,0	8 200	66,0
68,0	34,9	43,2	7 200	36,2	41,8	7 400	68,0
70,0	32,0	39,8	6 500	33,2	38,3	6 700	70,0
72,0	28,8	35,9	5 900				72,0
74,0	25,2	31,4	5 200				74,0
76,0	20,8	25,8	4 600				76,0

MLC300 S-1

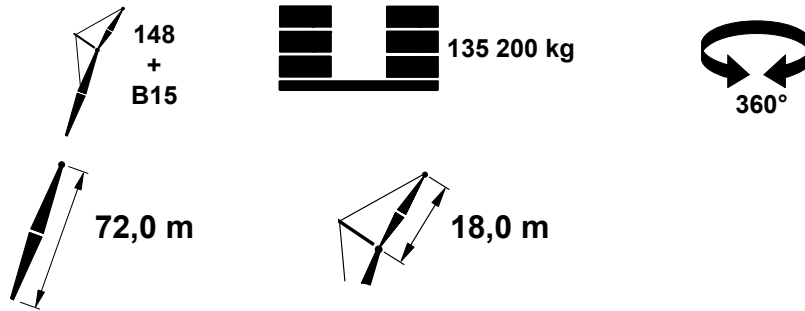
ASME B30.5



m	10°			20°			m
	°	m	kg	°	m	kg	
13,7	84,7	85,4	50 100				13,7
14,0	84,5	85,3	50 000				14,0
15,0	83,8	85,2	49 400				15,0
16,0	83,1	85,0	48 800				16,0
17,0	82,4	84,8	48 300	84,3	84,1	40 700	17,0
18,0	81,7	84,6	47 700	83,6	83,9	39 700	18,0
19,0	81,0	84,4	47 200	82,9	83,7	38 900	19,0
20,0	80,3	84,2	46 700	82,2	83,5	38 000	20,0
22,0	78,9	83,7	45 700	80,8	83,0	36 500	22,0
24,0	77,5	83,2	44 800	79,3	82,5	35 100	24,0
26,0	76,1	82,6	43 800	77,9	81,9	33 800	26,0
28,0	74,6	82,0	40 500	76,5	81,2	32 600	28,0
30,0	73,2	81,3	37 100	75,0	80,5	31 400	30,0
32,0	71,8	80,6	33 600	73,5	79,8	30 400	32,0
34,0	70,3	79,7	30 500	72,1	79,0	29 400	34,0
36,0	68,8	78,9	27 800	70,6	78,1	28 400	36,0
38,0	67,3	77,9	25 400	69,0	77,1	26 300	38,0
40,0	65,8	77,0	23 200	67,5	76,1	24 000	40,0
42,0	64,2	75,9	21 200	65,9	75,1	22 000	42,0
44,0	62,7	74,8	19 400	64,4	73,9	20 200	44,0
46,0	61,1	73,5	17 800	62,7	72,7	18 500	46,0
48,0	59,4	72,3	16 400	61,1	71,4	17 000	48,0
50,0	57,8	70,9	15 000	59,4	70,0	15 600	50,0
52,0	56,1	69,4	13 800	57,7	68,5	14 300	52,0
54,0	54,4	67,9	12 600	56,0	67,0	13 100	54,0
56,0	52,6	66,2	11 500	54,2	65,3	12 000	56,0
58,0	50,8	64,5	10 500	52,3	63,5	11 000	58,0
60,0	48,9	62,6	9 600	50,4	61,6	10 000	60,0
62,0	47,0	60,6	8 800	48,5	59,6	9 100	62,0
64,0	45,0	58,5	7 900	46,4	57,4	8 300	64,0
66,0	42,9	56,2	7 200	44,3	55,0	7 500	66,0
68,0	40,8	53,7	6 500	42,1	52,5	6 700	68,0
70,0	38,5	51,0	5 800	39,8	49,7	6 000	70,0
72,0	36,1	48,1	5 100	37,3	46,7	5 300	72,0
74,0	33,5	44,8	4 500	34,6	43,4	4 700	74,0
76,0	30,7	41,2	3 900	31,7	39,6	4 100	76,0

MLC300 S-1

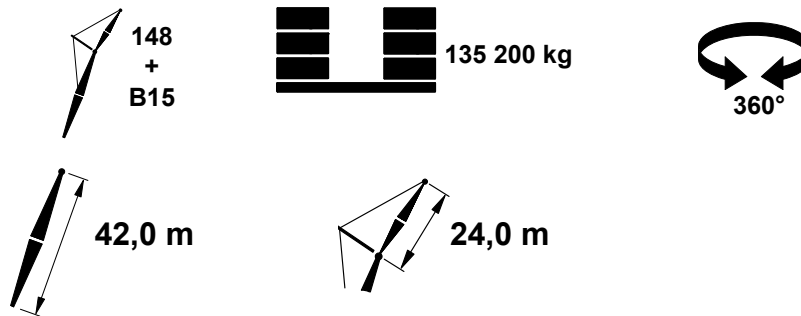
ASME B30.5



m	10°			20°			m
	°	m	kg	°	m	kg	
15,2	84,0	91,2	47 400				15,2
16,0	83,6	91,1	47 000				16,0
17,0	82,9	90,9	46 500	84,7	90,2	41 000	17,0
18,0	82,3	90,7	46 100	84,0	90,0	40 500	18,0
19,0	81,6	90,6	45 600	83,4	89,8	39 800	19,0
20,0	81,0	90,4	45 200	82,7	89,6	39 000	20,0
22,0	79,7	89,9	44 300	81,4	89,1	37 500	22,0
24,0	78,4	89,4	43 500	80,1	88,7	36 100	24,0
26,0	77,0	88,9	42 600	78,8	88,1	34 800	26,0
28,0	75,7	88,3	40 400	77,4	87,5	33 600	28,0
30,0	74,4	87,6	36 400	76,1	86,9	32 500	30,0
32,0	73,0	87,0	32 800	74,7	86,2	31 400	32,0
34,0	71,7	86,2	29 700	73,3	85,4	30 300	34,0
36,0	70,3	85,4	27 000	72,0	84,6	28 100	36,0
38,0	68,9	84,6	24 500	70,6	83,7	25 500	38,0
40,0	67,5	83,6	22 400	69,1	82,8	23 300	40,0
42,0	66,1	82,7	20 400	67,7	81,8	21 300	42,0
44,0	64,7	81,6	18 600	66,3	80,8	19 400	44,0
46,0	63,2	80,5	17 000	64,8	79,7	17 800	46,0
48,0	61,7	79,4	15 500	63,3	78,5	16 200	48,0
50,0	60,2	78,1	14 200	61,8	77,2	14 800	50,0
52,0	58,7	76,8	12 900	60,3	75,9	13 600	52,0
54,0	57,2	75,4	11 800	58,7	74,5	12 400	54,0
56,0	55,6	73,9	10 700	57,1	73,0	11 300	56,0
58,0	54,0	72,4	9 700	55,4	71,4	10 200	58,0
60,0	52,3	70,7	8 800	53,8	69,7	9 300	60,0
62,0	50,6	69,0	7 900	52,1	67,9	8 400	62,0
64,0	48,9	67,1	7 100	50,3	66,0	7 500	64,0
66,0	47,1	65,1	6 400	48,5	64,0	6 700	66,0
68,0	45,2	63,0	5 700	46,6	61,9	6 000	68,0
70,0	43,3	60,7	5 000	44,6	59,6	5 300	70,0
72,0	41,3	58,3	4 300	42,6	57,1	4 600	72,0
74,0	39,2	55,7	3 700	40,4	54,4	4 000	74,0
76,0	37,0	52,9	3 100	38,2	51,5	3 400	76,0

MLC300 S-1

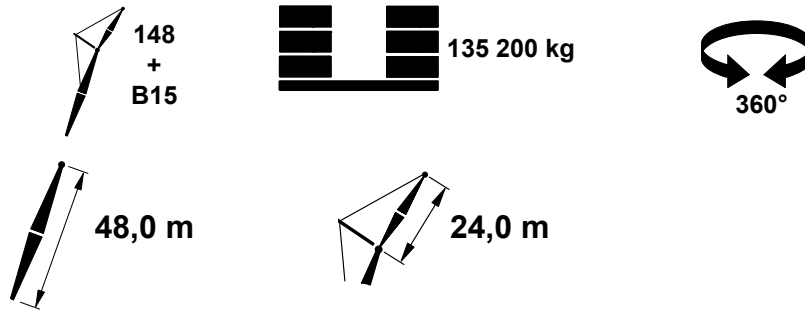
ASME B30.5



m	10°			20°			m
	°	m	kg	°	m	kg	
13,7	84,1	67,2	38 100				13,7
14,0	83,8	67,1	37 900				14,0
15,0	82,9	66,9	37 300				15,0
16,0	82,1	66,7	36 700				16,0
17,0	81,2	66,4	36 100				17,0
18,0	80,3	66,2	35 500	84,4	65,7	31 200	18,0
19,0	79,4	65,9	34 900	83,5	65,4	30 200	19,0
20,0	78,5	65,6	34 400	82,6	65,2	29 300	20,0
22,0	76,7	65,0	33 400	81,7	64,9	28 400	22,0
24,0	74,8	64,3	32 400	79,9	64,2	26 800	24,0
26,0	73,0	63,6	31 500	78,0	63,5	25 400	26,0
28,0	71,1	62,8	30 300	76,1	62,8	24 100	28,0
30,0	69,2	61,8	28 700	74,2	61,9	23 000	30,0
32,0	67,3	60,8	27 200	72,3	61,0	22 000	32,0
34,0	65,3	59,8	25 800	70,3	60,0	21 000	34,0
36,0	63,3	58,6	24 600	68,3	58,9	20 100	36,0
38,0	61,2	57,3	23 500	66,3	57,7	19 300	38,0
40,0	59,1	55,9	22 500	64,2	56,4	18 600	40,0
42,0	56,9	54,4	21 500	62,1	55,0	17 900	42,0
44,0	54,7	52,8	20 700	60,0	53,5	17 300	44,0
46,0	52,4	51,1	19 900	58,9	51,8	16 700	46,0
48,0	50,0	49,2	19 100	57,6	50,1	16 100	48,0
50,0	47,5	47,1	18 400	55,2	48,1	15 600	50,0
52,0	44,9	44,9	17 600	52,8	46,0	15 200	52,0
54,0	42,2	42,4	16 400	50,2	43,7	14 800	54,0
56,0	39,2	39,6	15 300	47,6	41,1	14 400	56,0
58,0	36,0	36,5	14 300	44,7	38,3	14 000	58,0
60,0	32,5	33,0	13 400	41,7	35,1	13 700	60,0
62,0	28,5	28,9	12 500	38,3	31,4	13 400	62,0
64,0	23,8	23,8	11 600	34,6	27,0	12 600	64,0

MLC300 S-1

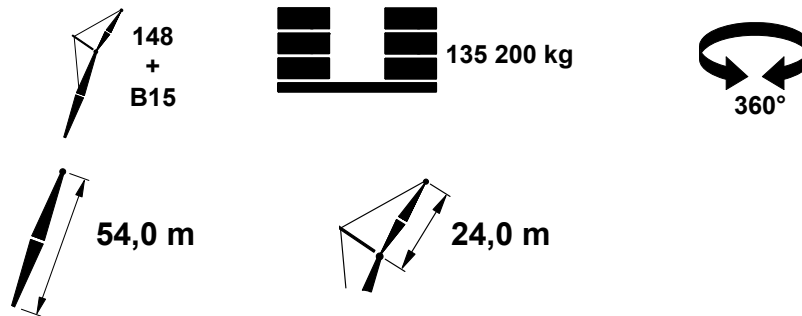
ASME B30.5



m	10°			20°			m
	°	m	kg	°	m	kg	
13,7	84,6	73,2	38 100				13,7
14,0	84,3	73,2	38 000				14,0
15,0	83,5	73,0	37 400				15,0
16,0	82,7	72,8	36 800				16,0
17,0	81,9	72,6	36 300				17,0
18,0	81,1	72,4	35 800				18,0
19,0	80,3	72,1	35 300	83,3	71,3	29 900	19,0
20,0	79,5	71,9	34 800	82,4	71,0	29 000	20,0
22,0	77,8	71,3	33 800	80,8	70,5	27 500	22,0
24,0	76,1	70,7	32 900	79,1	69,8	26 200	24,0
26,0	74,5	70,0	32 100	77,4	69,2	24 900	26,0
28,0	72,8	69,2	31 200	75,6	68,4	23 800	28,0
30,0	71,0	68,4	30 200	73,9	67,6	22 800	30,0
32,0	69,3	67,5	28 700	72,1	66,6	21 800	32,0
34,0	67,5	66,5	27 400	70,3	65,7	21 000	34,0
36,0	65,7	65,5	26 100	68,5	64,6	20 200	36,0
38,0	63,9	64,4	25 000	66,7	63,4	19 400	38,0
40,0	62,1	63,1	23 900	64,8	62,2	18 800	40,0
42,0	60,2	61,8	22 900	62,9	60,9	18 100	42,0
44,0	58,2	60,4	22 000	60,9	59,5	17 500	44,0
46,0	56,2	58,9	20 900	58,8	57,9	17 000	46,0
48,0	54,2	57,3	19 500	56,8	56,3	16 500	48,0
50,0	52,1	55,5	18 100	54,6	54,5	16 000	50,0
52,0	49,9	53,7	16 800	52,4	52,5	15 600	52,0
54,0	47,6	51,6	15 700	50,1	50,5	15 200	54,0
56,0	45,2	49,4	14 600	47,6	48,2	14 800	56,0
58,0	42,7	47,0	13 600	45,1	45,7	14 000	58,0
60,0	40,1	44,3	12 700	42,3	43,0	13 000	60,0
62,0	37,3	41,4	11 800	39,4	40,0	12 100	62,0
64,0	34,2	38,2	10 900	36,3	36,5	11 200	64,0
66,0	30,9	34,4	10 200	32,7	32,6	10 400	66,0
68,0	27,1	30,1	9 400				68,0
70,0	22,5	24,7	8 700				70,0

MLC300 S-1

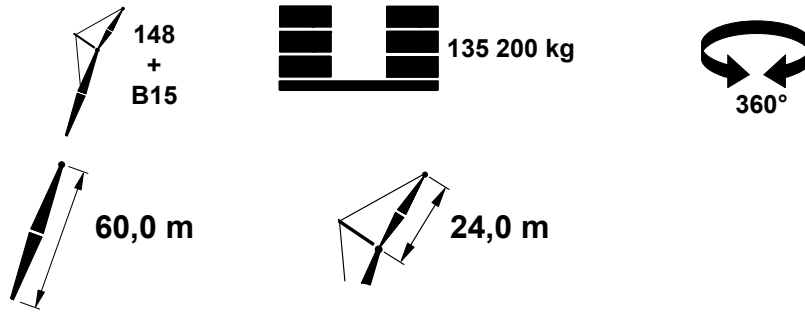
ASME B30.5



m	10°			20°			m
	°	m	kg	°	m	kg	
13,7	85,0	79,3	38 100				13,7
14,0	84,8	79,3	37 900				14,0
15,0	84,0	79,1	37 400				15,0
16,0	83,3	78,9	36 900				16,0
17,0	82,5	78,7	36 400				17,0
18,0	81,8	78,5	36 000				18,0
19,0	81,0	78,3	35 500	83,8	77,4	30 300	19,0
20,0	80,3	78,0	35 000	83,0	77,2	29 500	20,0
22,0	78,8	77,5	34 200	81,5	76,7	28 100	22,0
24,0	77,3	77,0	33 300	80,0	76,1	26 800	24,0
26,0	75,7	76,3	32 500	78,4	75,5	25 600	26,0
28,0	74,2	75,6	31 800	76,8	74,8	24 500	28,0
30,0	72,6	74,9	31 000	75,2	74,0	23 500	30,0
32,0	71,0	74,1	30 200	73,6	73,2	22 600	32,0
34,0	69,4	73,2	28 800	72,0	72,3	21 700	34,0
36,0	67,8	72,2	27 500	70,4	71,3	21 000	36,0
38,0	66,1	71,2	26 300	68,7	70,3	20 200	38,0
40,0	64,5	70,1	25 200	67,0	69,2	19 600	40,0
42,0	62,8	68,9	23 600	65,3	68,0	18 900	42,0
44,0	61,0	67,7	21 800	63,5	66,7	18 300	44,0
46,0	59,3	66,4	20 200	61,7	65,4	17 800	46,0
48,0	57,5	64,9	18 700	59,9	63,9	17 300	48,0
50,0	55,6	63,4	17 300	58,0	62,3	16 800	50,0
52,0	53,7	61,8	16 100	56,1	60,7	16 300	52,0
54,0	51,8	60,0	14 900	54,1	58,9	15 500	54,0
56,0	49,7	58,1	13 800	52,0	57,0	14 300	56,0
58,0	47,7	56,1	12 800	49,9	54,9	13 300	58,0
60,0	45,5	53,9	11 900	47,7	52,7	12 300	60,0
62,0	43,2	51,6	11 000	45,4	50,3	11 400	62,0
64,0	40,8	49,0	10 200	42,9	47,6	10 500	64,0
66,0	38,3	46,2	9 400	40,3	44,7	9 700	66,0
68,0	35,6	43,1	8 700	37,5	41,6	9 000	68,0
70,0	32,7	39,7	8 000	34,5	38,0	8 200	70,0
72,0	29,5	35,8	7 300	31,1	33,8	7 500	72,0
74,0	25,8	31,2	6 700				74,0
76,0	21,5	25,6	6 100				76,0

MLC300 S-1

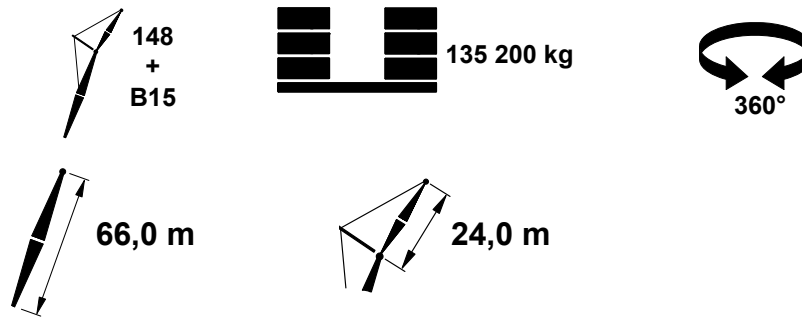
ASME B30.5



m	10°			20°			m
	°	m	kg	°	m	kg	
15,2	84,3	85,1	37 200				15,2
16,0	83,8	85,0	36 900				16,0
17,0	83,1	84,8	36 400				17,0
18,0	82,4	84,6	36 000				18,0
19,0	81,7	84,4	35 600				19,0
20,0	81,0	84,2	35 200	84,2	83,6	30 700	20,0
22,0	79,6	83,7	34 400	82,1	82,8	28 600	22,0
24,0	78,2	83,2	33 600	80,7	82,3	27 400	24,0
26,0	76,8	82,6	32 800	79,3	81,7	26 200	26,0
28,0	75,3	82,0	32 100	77,8	81,1	25 200	28,0
30,0	73,9	81,3	31 400	76,4	80,4	24 200	30,0
32,0	72,4	80,5	30 800	74,9	79,6	23 300	32,0
34,0	71,0	79,7	30 000	73,4	78,8	22 400	34,0
36,0	69,5	78,9	28 800	71,9	77,9	21 700	36,0
38,0	68,0	77,9	26 900	70,4	77,0	21 000	38,0
40,0	66,5	76,9	24 700	68,8	76,0	20 300	40,0
42,0	64,9	75,9	22 800	67,3	74,9	19 600	42,0
44,0	63,4	74,7	21 000	65,7	73,8	19 000	44,0
46,0	61,8	73,5	19 400	64,1	72,5	18 500	46,0
48,0	60,1	72,2	17 900	62,4	71,2	18 000	48,0
50,0	58,5	70,9	16 500	60,7	69,8	17 200	50,0
52,0	56,8	69,4	15 300	59,0	68,4	16 000	52,0
54,0	55,1	67,9	14 100	57,3	66,8	14 800	54,0
56,0	53,3	66,2	13 100	55,5	65,1	13 600	56,0
58,0	51,5	64,5	12 100	53,6	63,3	12 600	58,0
60,0	49,6	62,6	11 100	51,7	61,4	11 600	60,0
62,0	47,7	60,6	10 300	49,8	59,4	10 700	62,0
64,0	45,7	58,4	9 400	47,7	57,2	9 900	64,0
66,0	43,6	56,1	8 700	45,6	54,8	9 100	66,0
68,0	41,4	53,6	7 900	43,4	52,3	8 300	68,0
70,0	39,2	51,0	7 300	41,0	49,5	7 600	70,0
72,0	36,7	48,0	6 600	38,5	46,5	6 900	72,0
74,0	34,1	44,8	6 000	35,8	43,1	6 200	74,0
76,0	31,3	41,2	5 400	32,9	39,3	5 600	76,0
80,0	24,7	32,3	4 300				80,0

MLC300 S-1

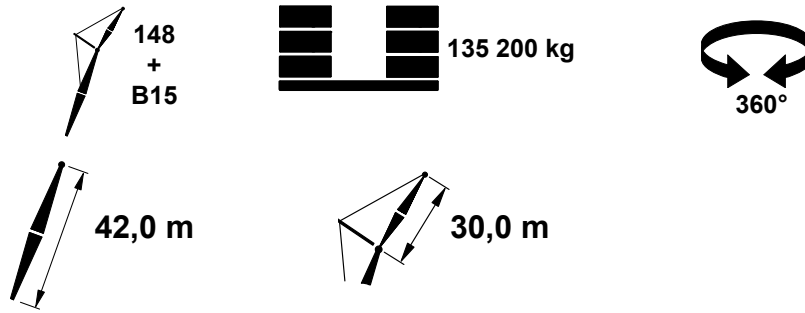
ASME B30.5



m	10°			20°			m
	°	m	kg	°	m	kg	
15,2	84,7	91,2	37 000				15,2
16,0	84,2	91,0	36 700				16,0
17,0	83,6	90,9	36 300				17,0
18,0	82,9	90,7	35 900				18,0
19,0	82,3	90,5	35 600				19,0
20,0	81,6	90,3	35 200	84,0	89,4	30 300	20,0
22,0	80,3	89,9	34 400	82,7	89,0	29 000	22,0
24,0	79,0	89,4	33 700	81,3	88,5	27 900	24,0
26,0	77,7	88,8	33 000	80,0	87,9	26 700	26,0
28,0	76,4	88,2	32 400	78,7	87,3	25 700	28,0
30,0	75,0	87,6	31 800	77,3	86,7	24 800	30,0
32,0	73,7	86,9	31 100	76,0	86,0	23 900	32,0
34,0	72,3	86,2	30 400	74,6	85,2	23 100	34,0
36,0	70,9	85,4	28 600	73,2	84,4	22 300	36,0
38,0	69,6	84,5	26 100	71,8	83,5	21 600	38,0
40,0	68,2	83,6	23 900	70,4	82,6	21 000	40,0
42,0	66,7	82,6	22 000	68,9	81,6	20 300	42,0
44,0	65,3	81,6	20 200	67,5	80,6	19 700	44,0
46,0	63,8	80,5	18 600	66,0	79,5	19 100	46,0
48,0	62,4	79,3	17 100	64,5	78,3	18 000	48,0
50,0	60,9	78,0	15 700	63,0	77,0	16 500	50,0
52,0	59,4	76,7	14 500	61,5	75,7	15 200	52,0
54,0	57,8	75,3	13 300	59,9	74,3	14 000	54,0
56,0	56,2	73,9	12 200	58,3	72,8	12 900	56,0
58,0	54,6	72,3	11 300	56,6	71,2	11 900	58,0
60,0	52,9	70,6	10 300	55,0	69,5	10 900	60,0
62,0	51,3	68,9	9 500	53,2	67,7	10 000	62,0
64,0	49,5	67,0	8 600	51,5	65,8	9 100	64,0
66,0	47,7	65,0	7 900	49,6	63,8	8 300	66,0
68,0	45,9	62,9	7 200	47,7	61,6	7 600	68,0
70,0	43,9	60,6	6 500	45,8	59,3	6 900	70,0
72,0	41,9	58,2	5 800	43,7	56,8	6 200	72,0
74,0	39,8	55,6	5 200	41,6	54,1	5 500	74,0
76,0	37,6	52,8	4 600	39,3	51,2	4 900	76,0
80,0	32,8	46,3	3 500	34,3	44,5	3 800	80,0

MLC300 S-1

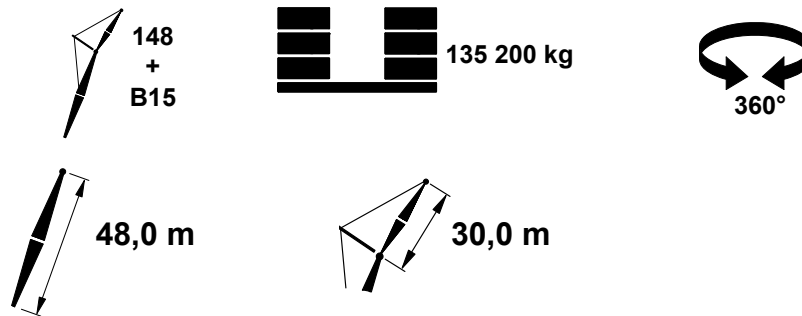
ASME B30.5



	10°			20°			
	m	°	m	kg	°	m	
13,7	84,9	73,3	30 400				13,7
14,0	84,7	73,3	30 200				14,0
15,0	83,9	73,1	29 700				15,0
16,0	83,1	72,9	29 300				16,0
17,0	82,3	72,7	28 800				17,0
18,0	81,5	72,4	28 400				18,0
19,0	80,6	72,2	27 900				19,0
20,0	79,8	71,9	27 500	83,6	71,1	24 300	20,0
22,0	78,2	71,4	26 600	81,9	70,6	23 400	22,0
24,0	76,5	70,7	25 700	80,2	69,9	22 200	24,0
26,0	74,8	70,1	24 800	78,5	69,2	21 000	26,0
28,0	73,1	69,3	23 900	76,8	68,5	19 900	28,0
30,0	71,4	68,5	23 100	75,1	67,6	18 900	30,0
32,0	69,7	67,6	22 300	73,3	66,7	18 100	32,0
34,0	67,9	66,6	21 600	71,5	65,7	17 200	34,0
36,0	66,1	65,6	20 900	69,7	64,7	16 500	36,0
38,0	64,3	64,4	20 200	67,9	63,5	15 800	38,0
40,0	62,4	63,2	19 400	66,0	62,3	15 100	40,0
42,0	60,5	61,9	18 500	64,0	61,0	14 600	42,0
44,0	58,6	60,5	17 700	62,1	59,6	14 000	44,0
46,0	56,6	59,0	17 000	60,1	58,0	13 500	46,0
48,0	54,6	57,4	16 300	58,0	56,4	13 000	48,0
50,0	52,5	55,6	15 600	55,8	54,6	12 600	50,0
52,0	50,3	53,7	15 000	53,6	52,7	12 200	52,0
54,0	48,0	51,7	14 500	51,3	50,6	11 800	54,0
56,0	45,6	49,5	14 000	48,9	48,3	11 500	56,0
58,0	43,2	47,1	13 500	46,3	45,8	11 100	58,0
60,0	40,5	44,5	13 000	43,6	43,1	10 800	60,0
62,0	37,7	41,5	12 600	40,7	40,1	10 500	62,0
64,0	34,7	38,3	12 200	37,5	36,7	10 300	64,0
66,0	31,3	34,6	11 400	34,0	32,8	10 100	66,0
68,0	27,6	30,3	10 700	30,0	28,2	9 900	68,0
70,0	23,0	24,9	10 000				70,0

MLC300 S-1

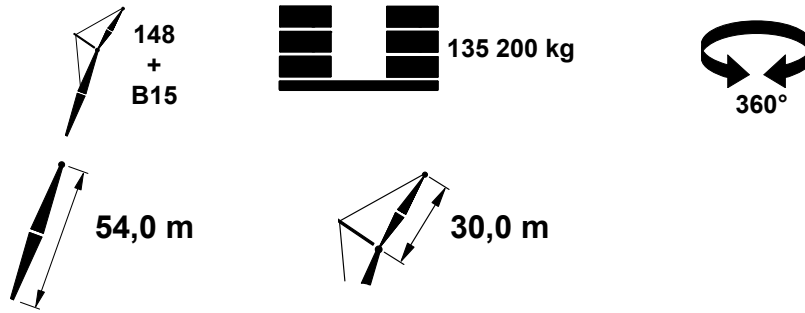
ASME B30.5



m	10°			20°			m
	°	m	kg	°	m	kg	
15,2	84,2	79,1	29 700				15,2
16,0	83,6	79,0	29 400				16,0
17,0	82,9	78,8	28 900				17,0
18,0	82,1	78,6	28 500				18,0
19,0	81,4	78,3	28 100				19,0
20,0	80,6	78,1	27 700	84,1	77,3	24 400	20,0
22,0	79,1	77,6	27 000	82,6	76,7	23 700	22,0
24,0	77,6	77,0	26 200	81,0	76,2	22 800	24,0
26,0	76,0	76,4	25 300	79,5	75,5	21 600	26,0
28,0	74,5	75,7	24 500	77,9	74,8	20 600	28,0
30,0	72,9	75,0	23 700	76,3	74,1	19 600	30,0
32,0	71,3	74,1	23 000	74,7	73,2	18 700	32,0
34,0	69,7	73,3	22 300	73,1	72,4	17 900	34,0
36,0	68,1	72,3	21 600	71,4	71,4	17 200	36,0
38,0	66,5	71,3	21 000	69,8	70,4	16 500	38,0
40,0	64,8	70,2	20 400	68,1	69,3	15 800	40,0
42,0	63,1	69,0	19 700	66,4	68,1	15 300	42,0
44,0	61,4	67,8	18 800	64,6	66,8	14 700	44,0
46,0	59,6	66,4	18 100	62,8	65,4	14 200	46,0
48,0	57,8	65,0	17 400	61,0	64,0	13 700	48,0
50,0	56,0	63,5	16 700	59,1	62,4	13 300	50,0
52,0	54,1	61,8	16 100	57,2	60,8	12 900	52,0
54,0	52,1	60,1	15 500	55,2	59,0	12 500	54,0
56,0	50,1	58,2	15 000	53,1	57,1	12 100	56,0
58,0	48,0	56,2	14 100	51,0	55,0	11 800	58,0
60,0	45,9	54,0	13 200	48,8	52,8	11 400	60,0
62,0	43,6	51,7	12 300	46,5	50,4	11 100	62,0
64,0	41,2	49,1	11 500	44,0	47,7	10 900	64,0
66,0	38,7	46,3	10 700	41,4	44,9	10 600	66,0
68,0	36,0	43,3	10 000	38,6	41,7	10 200	68,0
70,0	33,1	39,8	9 300	35,6	38,1	9 600	70,0
72,0	29,9	35,9	8 700	32,2	34,0	8 900	72,0
74,0	26,3	31,4	8 000	28,3	29,1	8 200	74,0
76,0	21,9	25,8	7 400				76,0

MLC300 S-1

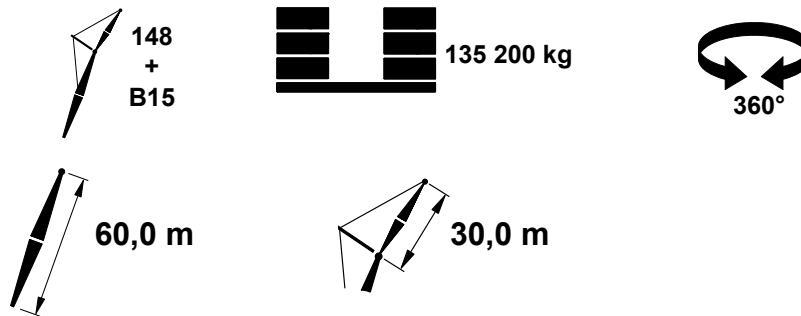
ASME B30.5



m	10°			20°			m
	°	m	kg	°	m	kg	
15,2	84,6	85,2	29 700				15,2
16,0	84,1	85,1	29 400				16,0
17,0	83,4	84,9	29 000				17,0
18,0	82,7	84,7	28 600				18,0
19,0	82,0	84,5	28 200				19,0
20,0	81,3	84,3	27 900	84,5	83,4	24 500	20,0
22,0	79,9	83,8	27 200	83,1	82,9	23 900	22,0
24,0	78,5	83,3	26 500	81,7	82,4	23 200	24,0
26,0	77,1	82,7	25 800	80,3	81,8	22 100	26,0
28,0	75,7	82,0	25 000	78,8	81,1	21 100	28,0
30,0	74,2	81,3	24 300	77,4	80,4	20 200	30,0
32,0	72,8	80,6	23 500	75,9	79,7	19 300	32,0
34,0	71,3	79,8	22 900	74,4	78,9	18 500	34,0
36,0	69,8	78,9	22 200	72,9	78,0	17 800	36,0
38,0	68,3	78,0	21 600	71,4	77,0	17 100	38,0
40,0	66,8	77,0	21 100	69,8	76,0	16 500	40,0
42,0	65,2	75,9	20 500	68,3	75,0	15 900	42,0
44,0	63,7	74,8	19 900	66,7	73,8	15 400	44,0
46,0	62,1	73,6	19 200	65,1	72,6	14 900	46,0
48,0	60,5	72,3	18 400	63,4	71,3	14 400	48,0
50,0	58,8	70,9	17 700	61,8	69,9	13 900	50,0
52,0	57,1	69,5	16 500	60,0	68,4	13 500	52,0
54,0	55,4	67,9	15 400	58,3	66,8	13 100	54,0
56,0	53,6	66,3	14 300	56,5	65,2	12 700	56,0
58,0	51,8	64,5	13 300	54,7	63,4	12 400	58,0
60,0	50,0	62,7	12 400	52,8	61,5	12 000	60,0
62,0	48,0	60,7	11 500	50,8	59,4	11 700	62,0
64,0	46,0	58,5	10 700	48,7	57,2	11 200	64,0
66,0	44,0	56,2	10 000	46,6	54,9	10 400	66,0
68,0	41,8	53,8	9 200	44,4	52,3	9 700	68,0
70,0	39,5	51,1	8 600	42,0	49,6	8 900	70,0
72,0	37,1	48,1	7 900	39,5	46,5	8 300	72,0
74,0	34,5	44,9	7 300	36,9	43,2	7 600	74,0
76,0	31,7	41,3	6 700	33,9	39,4	7 000	76,0
80,0	25,1	32,5	5 600				80,0

MLC300 S-1

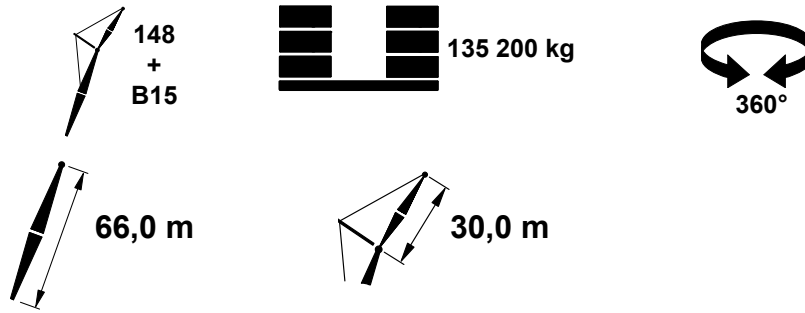
ASME B30.5



m	10°			20°			m
	°	m	kg	°	m	kg	
15,2	85,0	91,2	29 500				15,2
16,0	84,5	91,1	29 300				16,0
17,0	83,8	91,0	28 900				17,0
18,0	83,2	90,8	28 600				18,0
19,0	82,5	90,6	28 300				19,0
20,0	81,9	90,4	27 900				20,0
22,0	80,6	89,9	27 300	83,6	89,0	24 000	22,0
24,0	79,3	89,5	26 700	82,3	88,5	23 400	24,0
26,0	78,0	88,9	26 000	80,9	88,0	22 600	26,0
28,0	76,6	88,3	25 400	79,6	87,4	21 600	28,0
30,0	75,3	87,7	24 700	78,3	86,7	20 700	30,0
32,0	74,0	87,0	24 000	76,9	86,0	19 900	32,0
34,0	72,6	86,3	23 400	75,5	85,3	19 100	34,0
36,0	71,2	85,5	22 800	74,1	84,5	18 400	36,0
38,0	69,9	84,6	22 200	72,7	83,6	17 700	38,0
40,0	68,5	83,7	21 600	71,3	82,7	17 100	40,0
42,0	67,0	82,7	21 100	69,9	81,7	16 500	42,0
44,0	65,6	81,7	20 600	68,4	80,7	16 000	44,0
46,0	64,2	80,6	19 800	67,0	79,5	15 400	46,0
48,0	62,7	79,4	18 400	65,5	78,4	15 000	48,0
50,0	61,2	78,2	17 000	64,0	77,1	14 500	50,0
52,0	59,7	76,8	15 800	62,4	75,8	14 100	52,0
54,0	58,1	75,5	14 600	60,8	74,4	13 700	54,0
56,0	56,5	74,0	13 500	59,2	72,9	13 300	56,0
58,0	54,9	72,4	12 500	57,6	71,3	12 900	58,0
60,0	53,3	70,8	11 600	55,9	69,6	12 300	60,0
62,0	51,6	69,0	10 800	54,2	67,8	11 400	62,0
64,0	49,8	67,1	9 900	52,4	65,9	10 500	64,0
66,0	48,1	65,2	9 200	50,6	63,9	9 700	66,0
68,0	46,2	63,0	8 500	48,7	61,7	9 000	68,0
70,0	44,3	60,8	7 800	46,7	59,4	8 300	70,0
72,0	42,3	58,4	7 100	44,7	56,9	7 600	72,0
74,0	40,2	55,8	6 500	42,6	54,2	6 900	74,0
76,0	38,0	52,9	6 000	40,3	51,3	6 300	76,0
80,0	33,2	46,5	4 900	35,3	44,7	5 200	80,0
84,0	27,5	38,5	3 900	29,3	36,2	4 100	84,0

MLC300 S-1

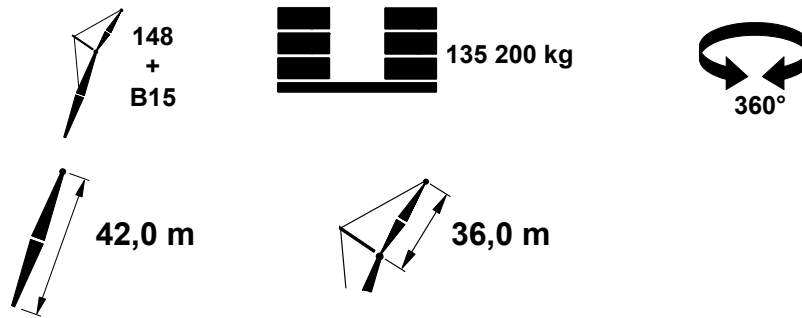
ASME B30.5



m	10°			20°			m
	°	m	kg	°	m	kg	
16,8	84,4	97,1	28 900				16,8
17,0	84,2	97,0	28 800				17,0
18,0	83,6	96,8	28 500				18,0
19,0	83,0	96,7	28 200				19,0
20,0	82,4	96,5	27 900				20,0
22,0	81,2	96,1	27 300	84,0	95,1	24 000	22,0
24,0	80,0	95,6	26 800	82,8	94,7	23 500	24,0
26,0	78,7	95,1	26 200	81,5	94,1	22 900	26,0
28,0	77,5	94,5	25 600	80,3	93,6	22 100	28,0
30,0	76,3	94,0	25 000	79,0	93,0	21 200	30,0
32,0	75,0	93,3	24 400	77,8	92,3	20 400	32,0
34,0	73,7	92,6	23 800	76,5	91,6	19 600	34,0
36,0	72,5	91,9	23 200	75,2	90,9	18 900	36,0
38,0	71,2	91,1	22 600	73,9	90,1	18 200	38,0
40,0	69,9	90,2	22 100	72,6	89,2	17 600	40,0
42,0	68,6	89,3	21 600	71,3	88,3	17 100	42,0
44,0	67,3	88,4	20 600	69,9	87,3	16 500	44,0
46,0	65,9	87,4	19 000	68,6	86,3	16 000	46,0
48,0	64,6	86,3	17 600	67,2	85,2	15 500	48,0
50,0	63,2	85,1	16 200	65,8	84,1	15 100	50,0
52,0	61,8	83,9	15 000	64,4	82,9	14 600	52,0
54,0	60,4	82,7	13 800	63,0	81,6	14 300	54,0
56,0	59,0	81,3	12 700	61,5	80,2	13 600	56,0
58,0	57,5	79,9	11 700	60,0	78,8	12 600	58,0
60,0	56,0	78,4	10 800	58,5	77,3	11 600	60,0
62,0	54,5	76,8	10 000	57,0	75,7	10 700	62,0
64,0	52,9	75,2	9 100	55,4	74,0	9 800	64,0
66,0	51,4	73,4	8 400	53,8	72,2	9 000	66,0
68,0	49,7	71,6	7 700	52,1	70,3	8 300	68,0
70,0	48,0	69,6	7 000	50,4	68,3	7 500	70,0
72,0	46,3	67,5	6 300	48,7	66,1	6 900	72,0
74,0	44,5	65,3	5 700	46,8	63,9	6 200	74,0
76,0	42,7	62,9	5 200	44,9	61,4	5 600	76,0
80,0	38,7	57,6	4 100	40,9	56,0	4 500	80,0
84,0				36,4	49,7	3 400	84,0

MLC300 S-1

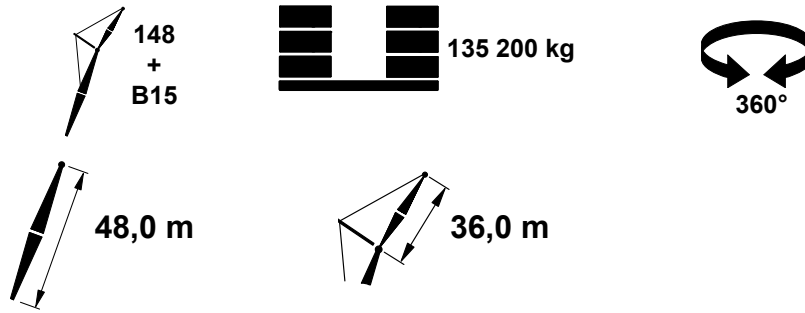
ASME B30.5



m	10°			20°			m
	°	m	kg	°	m	kg	
16,8	84,2	78,8	23 100				16,8
17,0	84,1	78,7	23 000				17,0
18,0	83,3	78,5	22 600				18,0
19,0	82,5	78,3	22 200				19,0
20,0	81,8	78,0	21 800				20,0
22,0	80,3	77,5	21 000	84,5	76,6	18 400	22,0
24,0	78,8	77,0	20 300	82,9	76,0	17 700	24,0
26,0	77,2	76,3	19 500	81,4	75,4	17 100	26,0
28,0	75,7	75,6	18 800	79,8	74,7	16 500	28,0
30,0	74,1	74,9	18 100	78,2	73,9	16 000	30,0
32,0	72,5	74,1	17 400	76,6	73,1	15 300	32,0
34,0	70,9	73,2	16 800	75,0	72,2	14 600	34,0
36,0	69,3	72,2	16 200	73,3	71,2	13 900	36,0
38,0	67,6	71,2	15 600	71,6	70,2	13 300	38,0
40,0	66,0	70,1	15 100	69,9	69,1	12 800	40,0
42,0	64,3	69,0	14 500	68,2	67,9	12 300	42,0
44,0	62,5	67,7	14 000	66,5	66,6	11 800	44,0
46,0	60,8	66,4	13 500	64,7	65,3	11 300	46,0
48,0	59,0	64,9	13 100	62,8	63,8	10 900	48,0
50,0	57,1	63,4	12 700	60,9	62,2	10 500	50,0
52,0	55,2	61,8	12 300	59,0	60,6	10 100	52,0
54,0	53,3	60,0	11 900	57,0	58,8	9 800	54,0
56,0	51,2	58,1	11 500	55,0	56,9	9 500	56,0
58,0	49,2	56,1	11 100	52,8	54,8	9 200	58,0
60,0	47,0	53,9	10 800	50,6	52,6	8 900	60,0
62,0	44,7	51,6	10 500	48,3	50,1	8 600	62,0
64,0	42,3	49,0	10 200	45,8	47,5	8 400	64,0
66,0	39,8	46,2	9 900	43,2	44,6	8 200	66,0
68,0	37,1	43,1	9 600	40,4	41,4	8 000	68,0
70,0	34,2	39,7	9 300	37,3	37,8	7 800	70,0
72,0	31,0	35,8	9 100	33,9	33,6	7 600	72,0
74,0	27,3	31,2	8 800	30,0	28,7	7 400	74,0
76,0	23,0	25,6	8 600				76,0

MLC300 S-1

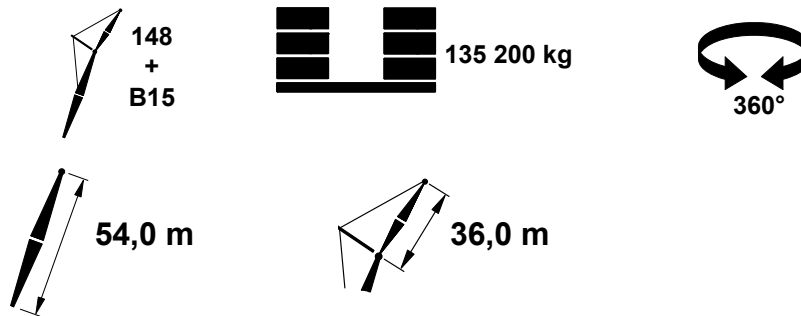
ASME B30.5



m	10°			20°			m
	°	m	kg	°	m	kg	
16,8	84,7	84,8	23 200				16,8
17,0	84,5	84,8	23 100				17,0
18,0	83,8	84,6	22 700				18,0
19,0	83,1	84,4	22 400				19,0
20,0	82,4	84,2	22 000				20,0
22,0	81,0	83,7	21 300				22,0
24,0	79,6	83,2	20 600	83,5	82,2	17 900	24,0
26,0	78,2	82,6	19 900	82,0	81,6	17 300	26,0
28,0	76,7	82,0	19 200	80,6	80,9	16 800	28,0
30,0	75,3	81,3	18 500	79,1	80,2	16 200	30,0
32,0	73,8	80,5	17 900	77,6	79,5	15 700	32,0
34,0	72,4	79,7	17 300	76,1	78,7	15 100	34,0
36,0	70,9	78,8	16 700	74,6	77,8	14 400	36,0
38,0	69,4	77,9	16 200	73,1	76,8	13 800	38,0
40,0	67,9	76,9	15 700	71,6	75,8	13 300	40,0
42,0	66,3	75,9	15 100	70,0	74,8	12 800	42,0
44,0	64,7	74,7	14 600	68,4	73,6	12 300	44,0
46,0	63,1	73,5	14 200	66,8	72,4	11 900	46,0
48,0	61,5	72,2	13 700	65,1	71,1	11 400	48,0
50,0	59,9	70,9	13 300	63,5	69,7	11 000	50,0
52,0	58,2	69,4	12 900	61,7	68,2	10 700	52,0
54,0	56,5	67,8	12 500	60,0	66,6	10 300	54,0
56,0	54,7	66,2	12 100	58,2	64,9	10 000	56,0
58,0	52,9	64,4	11 800	56,3	63,1	9 700	58,0
60,0	51,0	62,6	11 400	54,4	61,2	9 400	60,0
62,0	49,1	60,6	11 100	52,4	59,2	9 100	62,0
64,0	47,1	58,4	10 800	50,4	57,0	8 900	64,0
66,0	45,0	56,1	10 500	48,3	54,6	8 700	66,0
68,0	42,8	53,6	10 300	46,0	52,0	8 400	68,0
70,0	40,5	50,9	9 900	43,7	49,3	8 200	70,0
72,0	38,1	48,0	9 300	41,1	46,2	8 000	72,0
74,0	35,5	44,8	8 700	38,4	42,8	7 800	74,0
76,0	32,7	41,2	8 100	35,5	39,0	7 700	76,0
80,0	26,1	32,3	7 000				80,0

MLC300 S-1

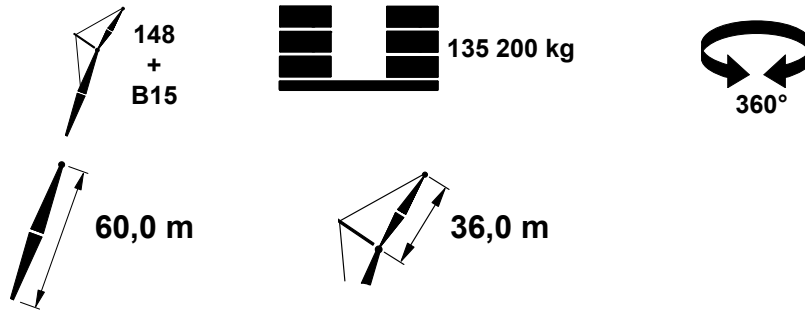
ASME B30.5



m	10°			20°			m
	°	m	kg	°	m	kg	
18,3	84,0	90,6	22 700				18,3
19,0	83,6	90,5	22 500				19,0
20,0	82,9	90,3	22 100				20,0
22,0	81,6	89,9	21 500				22,0
24,0	80,3	89,4	20 800			18 000	24,0
26,0	79,0	88,8	20 200	83,9	88,3	17 500	26,0
28,0	77,7	88,2	19 500	81,2	87,2	17 000	28,0
30,0	76,3	87,6	18 900	79,9	86,5	16 500	30,0
32,0	75,0	86,9	18 300	78,5	85,8	16 000	32,0
34,0	73,6	86,2	17 700	77,1	85,1	15 500	34,0
36,0	72,2	85,4	17 200	75,8	84,3	14 900	36,0
38,0	70,9	84,5	16 700	74,3	83,4	14 300	38,0
40,0	69,5	83,6	16 200	72,9	82,5	13 800	40,0
42,0	68,0	82,6	15 700	71,5	81,5	13 300	42,0
44,0	66,6	81,6	15 200	70,0	80,4	12 800	44,0
46,0	65,2	80,5	14 800	68,6	79,3	12 300	46,0
48,0	63,7	79,3	14 300	67,1	78,1	11 900	48,0
50,0	62,2	78,1	13 900	65,5	76,9	11 500	50,0
52,0	60,7	76,7	13 500	64,0	75,5	11 200	52,0
54,0	59,1	75,4	13 100	62,4	74,1	10 800	54,0
56,0	57,5	73,9	12 700	60,8	72,6	10 500	56,0
58,0	55,9	72,3	12 400	59,2	71,0	10 200	58,0
60,0	54,3	70,7	12 000	57,5	69,3	9 900	60,0
62,0	52,6	68,9	11 700	55,7	67,5	9 600	62,0
64,0	50,8	67,0	11 400	54,0	65,6	9 300	64,0
66,0	49,0	65,0	10 600	52,1	63,6	9 100	66,0
68,0	47,2	62,9	9 900	50,2	61,4	8 900	68,0
70,0	45,2	60,7	9 200	48,3	59,1	8 700	70,0
72,0	43,2	58,2	8 500	46,2	56,6	8 400	72,0
74,0	41,2	55,6	7 900	44,0	53,9	8 200	74,0
76,0	39,0	52,8	7 300	41,8	51,0	7 700	76,0
80,0	34,1	46,3	6 300	36,7	44,2	6 600	80,0
84,0	28,4	38,3	5 200	30,7	35,7	5 500	84,0
88,0	20,9	27,3	4 300				88,0

MLC300 S-1

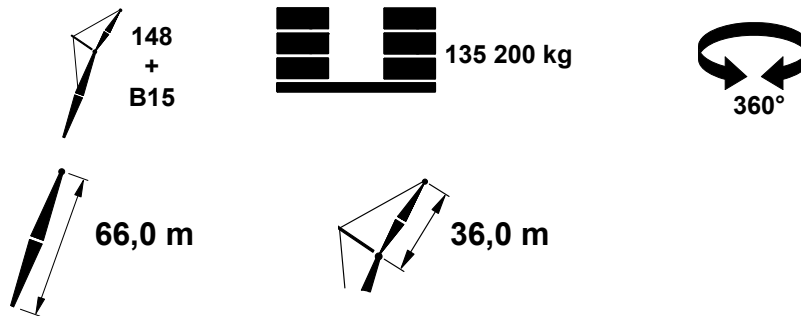
ASME B30.5



m	10°			20°			m
	°	m	kg	°	m	kg	
18,3	84,4	96,7	22 700				18,3
19,0	84,0	96,6	22 500				19,0
20,0	83,4	96,4	22 200				20,0
22,0	82,1	96,0	21 600				22,0
24,0	80,9	95,5	21 000				24,0
26,0	79,7	95,0	20 400	83,1	93,9	17 600	26,0
28,0	78,5	94,5	19 800	81,8	93,4	17 100	28,0
30,0	77,2	93,9	19 200	80,5	92,8	16 600	30,0
32,0	76,0	93,2	18 700	79,3	92,1	16 200	32,0
34,0	74,7	92,6	18 100	78,0	91,4	15 800	34,0
36,0	73,4	91,8	17 600	76,7	90,7	15 300	36,0
38,0	72,1	91,0	17 100	75,4	89,9	14 700	38,0
40,0	70,8	90,2	16 600	74,1	89,0	14 200	40,0
42,0	69,5	89,3	16 100	72,8	88,1	13 700	42,0
44,0	68,2	88,3	15 700	71,4	87,1	13 200	44,0
46,0	66,9	87,3	15 200	70,1	86,1	12 800	46,0
48,0	65,5	86,2	14 800	68,7	85,0	12 400	48,0
50,0	64,1	85,1	14 400	67,3	83,9	12 000	50,0
52,0	62,7	83,9	14 000	65,9	82,6	11 600	52,0
54,0	61,3	82,6	13 600	64,5	81,3	11 300	54,0
56,0	59,9	81,3	13 300	63,0	80,0	10 900	56,0
58,0	58,4	79,8	12 900	61,5	78,5	10 600	58,0
60,0	56,9	78,4	12 300	60,0	77,0	10 300	60,0
62,0	55,4	76,8	11 400	58,4	75,4	10 100	62,0
64,0	53,9	75,1	10 600	56,9	73,7	9 800	64,0
66,0	52,3	73,3	9 800	55,2	71,9	9 500	66,0
68,0	50,6	71,5	9 100	53,6	70,0	9 300	68,0
70,0	49,0	69,5	8 400	51,9	68,0	9 000	70,0
72,0	47,2	67,4	7 800	50,1	65,8	8 400	72,0
74,0	45,5	65,2	7 200	48,3	63,6	7 700	74,0
76,0	43,6	62,8	6 600	46,4	61,1	7 100	76,0
80,0	39,6	57,5	5 500	42,3	55,7	5 900	80,0
84,0	35,3	51,4	4 500	37,7	49,3	4 900	84,0
88,0	30,2	43,9	3 600	32,4	41,5	3 900	88,0

MLC300 S-1

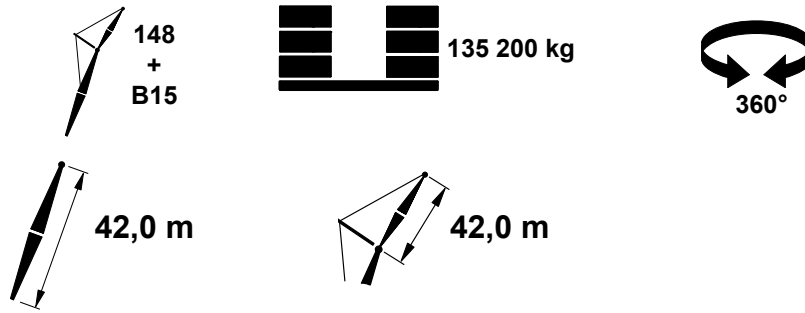
ASME B30.5



m	10°			20°			m
	°	m	kg	°	m	kg	
18,3	84,7	102,8	22 600				18,3
19,0	84,3	102,7	22 400				19,0
20,0	83,8	102,5	22 200				20,0
22,0	82,6	102,1	21 600				22,0
24,0	81,5	101,7	21 100				24,0
26,0	80,3	101,2	20 500	83,5	100,1	17 700	26,0
28,0	79,1	100,7	20 000	82,3	99,5	17 200	28,0
30,0	78,0	100,1	19 500	81,1	99,0	16 800	30,0
32,0	76,8	99,5	19 000	79,9	98,4	16 400	32,0
34,0	75,6	98,9	18 400	78,7	97,7	16 000	34,0
36,0	74,4	98,2	17 900	77,5	97,0	15 600	36,0
38,0	73,2	97,4	17 500	76,3	96,3	15 100	38,0
40,0	72,0	96,6	17 000	75,1	95,5	14 600	40,0
42,0	70,8	95,8	16 500	73,9	94,6	14 100	42,0
44,0	69,6	94,9	16 100	72,6	93,7	13 600	44,0
46,0	68,3	94,0	15 700	71,4	92,7	13 200	46,0
48,0	67,1	93,0	15 300	70,1	91,7	12 800	48,0
50,0	65,8	91,9	14 900	68,8	90,7	12 400	50,0
52,0	64,5	90,8	14 500	67,5	89,5	12 000	52,0
54,0	63,2	89,6	14 100	66,2	88,4	11 700	54,0
56,0	61,9	88,4	13 400	64,8	87,1	11 400	56,0
58,0	60,6	87,1	12 400	63,5	85,8	11 100	58,0
60,0	59,2	85,7	11 500	62,1	84,4	10 800	60,0
62,0	57,8	84,3	10 600	60,7	82,9	10 500	62,0
64,0	56,4	82,8	9 800	59,3	81,4	10 200	64,0
66,0	55,0	81,2	9 100	57,8	79,8	9 800	66,0
68,0	53,5	79,5	8 300	56,3	78,1	9 100	68,0
70,0	52,0	77,8	7 600	54,8	76,3	8 300	70,0
72,0	50,5	75,9	7 000	53,2	74,4	7 700	72,0
74,0	48,9	73,9	6 400	51,6	72,4	7 000	74,0
76,0	47,3	71,9	5 800	49,9	70,2	6 400	76,0
80,0	43,9	67,3	4 700	46,5	65,6	5 200	80,0
84,0	40,2	62,2	3 800	42,7	60,3	4 200	84,0
88,0				38,5	54,2	3 200	88,0

MLC300 S-1

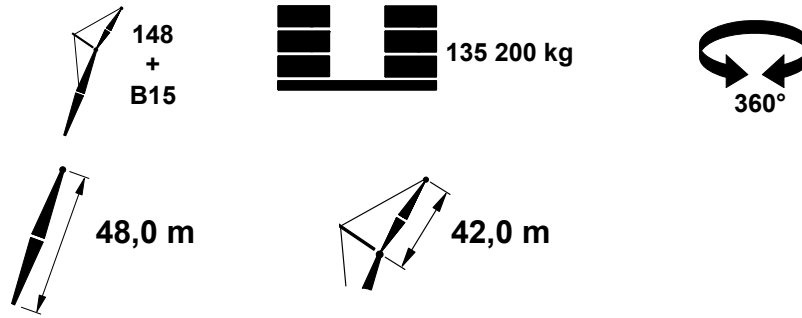
ASME B30.5



m	10°			20°			m
	°	m	kg	°	m	kg	
16,8	84,3	85,0	19 400				16,8
17,0	84,2	84,9	19 300				17,0
18,0	83,5	84,8	19 000				18,0
19,0	82,8	84,6	18 600				19,0
20,0	82,1	84,3	18 200				20,0
22,0	80,7	83,9	17 500				22,0
24,0	79,3	83,3	16 800	83,9	82,5	14 500	24,0
26,0	77,9	82,7	16 100	82,4	81,9	13 900	26,0
28,0	76,4	82,1	15 400	81,0	81,2	13 300	28,0
30,0	75,0	81,4	14 800	79,5	80,5	12 800	30,0
32,0	73,5	80,7	14 100	78,1	79,8	12 300	32,0
34,0	72,1	79,9	13 500	76,6	79,0	11 800	34,0
36,0	70,6	79,0	13 000	75,1	78,1	11 300	36,0
38,0	69,1	78,1	12 400	73,6	77,1	10 900	38,0
40,0	67,6	77,1	11 900	72,0	76,1	10 500	40,0
42,0	66,0	76,0	11 400	70,5	75,1	10 100	42,0
44,0	64,5	74,9	10 900	68,9	73,9	9 700	44,0
46,0	62,9	73,7	10 500	67,3	72,7	9 300	46,0
48,0	61,3	72,4	10 100	65,6	71,4	9 000	48,0
50,0	59,6	71,0	9 700	64,0	70,0	8 600	50,0
52,0	57,9	69,6	9 300	62,2	68,5	8 300	52,0
54,0	56,2	68,0	8 900	60,5	67,0	8 000	54,0
56,0	54,5	66,4	8 600	58,7	65,3	7 800	56,0
58,0	52,6	64,6	8 300	56,9	63,5	7 500	58,0
60,0	50,8	62,8	8 000	55,0	61,6	7 200	60,0
62,0	48,9	60,8	7 700	53,0	59,6	7 000	62,0
64,0	46,9	58,6	7 400	51,0	57,4	6 800	64,0
66,0	44,8	56,3	7 100	48,9	55,0	6 600	66,0
68,0	42,6	53,9	6 900	46,6	52,5	6 400	68,0
70,0	40,4	51,2	6 600	44,3	49,7	6 200	70,0
72,0	37,9	48,3	6 400	41,8	46,7	6 000	72,0
74,0	35,4	45,0	6 200	39,1	43,4	5 900	74,0
76,0	32,6	41,5	6 000	36,2	39,6	5 700	76,0
80,0	26,0	32,7	5 700	29,2	30,3	5 500	80,0

MLC300 S-1

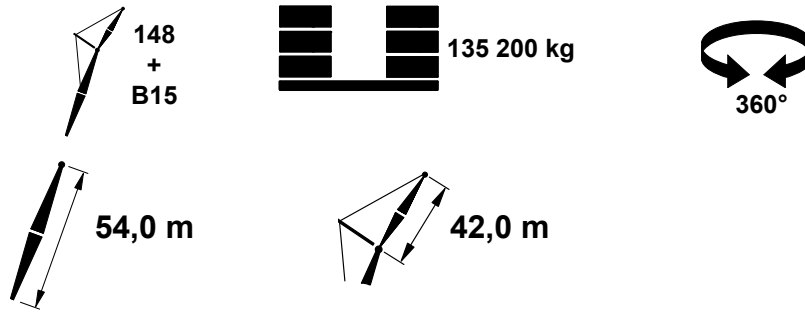
ASME B30.5



m	10°			20°			m
	°	m	kg	°	m	kg	
16,8	84,7	91,1	19 500				16,8
17,0	84,6	91,0	19 400				17,0
18,0	83,9	90,9	19 100				18,0
19,0	83,3	90,7	18 800				19,0
20,0	82,6	90,5	18 400				20,0
22,0	81,3	90,0	17 700				22,0
24,0	80,0	89,5	17 100				24,0
26,0	78,7	89,0	16 400	83,0	88,1	14 000	26,0
28,0	77,4	88,4	15 800	81,6	87,5	13 500	28,0
30,0	76,0	87,8	15 100	80,3	86,8	13 000	30,0
32,0	74,7	87,1	14 600	78,9	86,1	12 500	32,0
34,0	73,3	86,3	14 000	77,5	85,4	12 100	34,0
36,0	72,0	85,5	13 400	76,2	84,5	11 600	36,0
38,0	70,6	84,7	12 900	74,8	83,7	11 200	38,0
40,0	69,2	83,8	12 400	73,4	82,8	10 800	40,0
42,0	67,8	82,8	11 900	71,9	81,8	10 400	42,0
44,0	66,3	81,7	11 500	70,5	80,7	10 000	44,0
46,0	64,9	80,6	11 000	69,0	79,6	9 700	46,0
48,0	63,4	79,5	10 600	67,5	78,4	9 300	48,0
50,0	61,9	78,2	10 200	66,0	77,2	9 100	50,0
52,0	60,4	76,9	9 900	64,5	75,8	8 700	52,0
54,0	58,9	75,5	9 500	62,9	74,4	8 400	54,0
56,0	57,3	74,1	9 200	61,3	72,9	8 200	56,0
58,0	55,7	72,5	8 800	59,6	71,3	7 900	58,0
60,0	54,0	70,8	8 500	58,0	69,7	7 600	60,0
62,0	52,3	69,1	8 200	56,2	67,9	7 400	62,0
64,0	50,6	67,2	7 900	54,5	66,0	7 200	64,0
66,0	48,8	65,2	7 700	52,6	64,0	7 000	66,0
68,0	47,0	63,1	7 400	50,8	61,8	6 800	68,0
70,0	45,0	60,9	7 200	48,8	59,5	6 600	70,0
72,0	43,1	58,5	6 900	46,8	57,0	6 400	72,0
74,0	41,0	55,9	6 700	44,6	54,3	6 200	74,0
76,0	38,8	53,0	6 500	42,4	51,4	6 100	76,0
80,0	34,0	46,6	6 100	37,4	44,8	5 800	80,0
84,0	28,3	38,7	5 700	31,4	36,4	5 600	84,0
88,0	20,9	27,8	5 400				88,0

MLC300 S-1

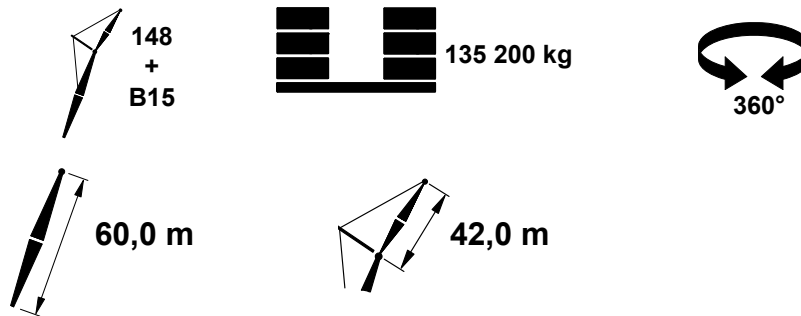
ASME B30.5



m	10°			20°			m
	°	m	kg	°	m	kg	
18,3	84,1	96,9	19 100				18,3
19,0	83,7	96,8	18 800				19,0
20,0	83,1	96,6	18 500				20,0
22,0	81,9	96,2	17 900				22,0
24,0	80,7	95,7	17 300				24,0
26,0	79,4	95,2	16 700	83,4	94,2	14 200	26,0
28,0	78,2	94,6	16 100	82,2	93,7	13 700	28,0
30,0	76,9	94,0	15 500	80,9	93,1	13 200	30,0
32,0	75,7	93,4	14 900	79,7	92,4	12 800	32,0
34,0	74,4	92,7	14 400	78,4	91,7	12 300	34,0
36,0	73,2	92,0	13 900	77,1	91,0	11 900	36,0
38,0	71,9	91,2	13 400	75,8	90,1	11 500	38,0
40,0	70,6	90,3	12 900	74,5	89,3	11 100	40,0
42,0	69,3	89,4	12 400	73,2	88,4	10 700	42,0
44,0	68,0	88,5	12 000	71,8	87,4	10 400	44,0
46,0	66,6	87,5	11 500	70,5	86,4	10 000	46,0
48,0	65,3	86,4	11 100	69,1	85,3	9 700	48,0
50,0	63,9	85,2	10 700	67,7	84,1	9 400	50,0
52,0	62,5	84,0	10 400	66,3	82,9	9 100	52,0
54,0	61,1	82,8	10 000	64,9	81,6	8 800	54,0
56,0	59,7	81,4	9 700	63,4	80,3	8 600	56,0
58,0	58,2	80,0	9 300	61,9	78,9	8 300	58,0
60,0	56,7	78,5	9 000	60,4	77,3	8 000	60,0
62,0	55,2	77,0	8 700	58,9	75,7	7 800	62,0
64,0	53,7	75,3	8 500	57,3	74,1	7 600	64,0
66,0	52,1	73,5	8 200	55,7	72,3	7 300	66,0
68,0	50,4	71,7	7 900	54,0	70,4	7 100	68,0
70,0	48,8	69,7	7 600	52,3	68,4	6 900	70,0
72,0	47,1	67,6	7 400	50,6	66,2	6 800	72,0
74,0	45,3	65,4	7 200	48,8	64,0	6 600	74,0
76,0	43,4	63,0	7 000	46,9	61,5	6 400	76,0
80,0	39,5	57,8	6 500	42,8	56,1	6 100	80,0
84,0	35,1	51,7	5 600	38,3	49,8	5 800	84,0
88,0	30,1	44,3	4 700	33,1	42,1	5 000	88,0
92,0	24,0	34,8	3 900				92,0

MLC300 S-1

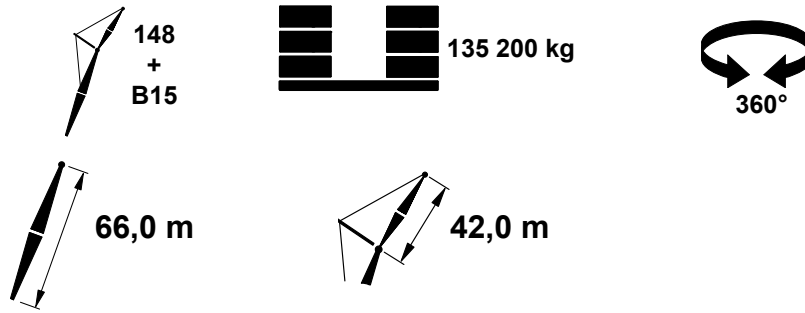
ASME B30.5



m	10°			20°			m
	°	m	kg	°	m	kg	
18,3	84,5	102,9	19 100				18,3
19,0	84,1	102,8	18 900				19,0
20,0	83,5	102,7	18 600				20,0
22,0	82,4	102,3	18 000				22,0
24,0	81,2	101,8	17 400				24,0
26,0	80,1	101,4	16 900	83,8	100,4	14 300	26,0
28,0	78,9	100,9	16 300	82,7	99,8	13 800	28,0
30,0	77,7	100,3	15 800	81,5	99,3	13 400	30,0
32,0	76,6	99,7	15 300	80,3	98,7	13 000	32,0
34,0	75,4	99,0	14 700	79,1	98,0	12 500	34,0
36,0	74,2	98,4	14 200	77,9	97,3	12 100	36,0
38,0	73,0	97,6	13 700	76,7	96,6	11 700	38,0
40,0	71,8	96,8	13 300	75,5	95,8	11 400	40,0
42,0	70,6	96,0	12 800	74,2	94,9	11 000	42,0
44,0	69,4	95,1	12 400	73,0	94,0	10 700	44,0
46,0	68,1	94,2	12 000	71,7	93,1	10 300	46,0
48,0	66,9	93,2	11 600	70,5	92,1	10 000	48,0
50,0	65,6	92,1	11 200	69,2	91,0	9 700	50,0
52,0	64,3	91,0	10 800	67,9	89,9	9 400	52,0
54,0	63,0	89,8	10 500	66,6	88,7	9 200	54,0
56,0	61,7	88,6	10 100	65,2	87,4	8 900	56,0
58,0	60,4	87,3	9 800	63,9	86,1	8 600	58,0
60,0	59,0	86,0	9 500	62,5	84,7	8 400	60,0
62,0	57,6	84,5	9 200	61,1	83,3	8 100	62,0
64,0	56,2	83,0	8 900	59,7	81,8	7 900	64,0
66,0	54,8	81,4	8 700	58,2	80,2	7 700	66,0
68,0	53,3	79,8	8 400	56,7	78,5	7 500	68,0
70,0	51,8	78,0	8 100	55,2	76,7	7 300	70,0
72,0	50,3	76,1	7 900	53,7	74,8	7 100	72,0
74,0	48,7	74,2	7 400	52,1	72,8	6 900	74,0
76,0	47,1	72,1	6 900	50,4	70,7	6 800	76,0
80,0	43,7	67,6	5 800	47,0	66,0	6 300	80,0
84,0	40,1	62,5	4 800	43,2	60,8	5 300	84,0
88,0	36,1	56,6	4 000	39,1	54,7	4 400	88,0
92,0	31,6	49,6	3 100	34,4	47,5	3 500	92,0

MLC300 S-1

ASME B30.5



m	10°			20°			m
	°	m	kg	°	m	kg	
18,3	84,8	109,0	18 900				18,3
19,0	84,4	108,9	18 800				19,0
20,0	83,9	108,7	18 600				20,0
22,0	82,8	108,4	18 100				22,0
24,0	81,7	107,9	17 500				24,0
26,0	80,6	107,5	17 000	84,2	106,4	14 400	26,0
28,0	79,5	107,0	16 500	83,1	106,0	13 900	28,0
30,0	78,4	106,5	16 000	82,0	105,4	13 500	30,0
32,0	77,3	105,9	15 500	80,9	104,8	13 100	32,0
34,0	76,2	105,3	15 000	79,7	104,2	12 700	34,0
36,0	75,1	104,7	14 500	78,6	103,6	12 300	36,0
38,0	74,0	104,0	14 100	77,5	102,9	12 000	38,0
40,0	72,9	103,2	13 600	76,3	102,1	11 600	40,0
42,0	71,7	102,4	13 200	75,2	101,3	11 300	42,0
44,0	70,6	101,6	12 800	74,0	100,5	11 000	44,0
46,0	69,4	100,7	12 400	72,9	99,6	10 600	46,0
48,0	68,3	99,8	12 000	71,7	98,7	10 300	48,0
50,0	67,1	98,8	11 600	70,5	97,7	10 000	50,0
52,0	65,9	97,8	11 300	69,3	96,6	9 700	52,0
54,0	64,7	96,7	10 900	68,1	95,5	9 500	54,0
56,0	63,5	95,6	10 600	66,8	94,4	9 200	56,0
58,0	62,2	94,4	10 300	65,6	93,2	8 900	58,0
60,0	61,0	93,1	10 000	64,3	91,9	8 700	60,0
62,0	59,7	91,8	9 700	63,0	90,6	8 500	62,0
64,0	58,4	90,4	9 400	61,7	89,2	8 200	64,0
66,0	57,1	89,0	9 100	60,4	87,7	8 000	66,0
68,0	55,8	87,5	8 500	59,0	86,1	7 800	68,0
70,0	54,4	85,9	7 900	57,6	84,5	7 600	70,0
72,0	53,0	84,2	7 200	56,2	82,8	7 400	72,0
74,0	51,6	82,4	6 600	54,8	81,0	7 200	74,0
76,0	50,2	80,6	6 100	53,3	79,1	6 800	76,0
80,0	47,2	76,6	5 000	50,3	75,1	5 700	80,0
84,0	44,0	72,1	4 100	47,0	70,5	4 600	84,0
88,0	40,6	67,1	3 200	43,5	65,4	3 700	88,0