

Liftcrane Jib Capacities

Jib No. 148 on
 Boom No. B15:505-500
 298,100 lb VPC (Variable Position Counterweight)
 360 Degree Rating

MLC300 SERIES 1



LIFTING CAPACITIES: Chart supplements Boom Capacity chart No. 9680-A. Lifting capacities for various boom lengths, jib lengths, and jib operating radii are for freely suspended loads and may be based on percent of static tipping or strength of structural components. Capacities must be reduced by applicable deducts.

Weight of all load blocks, hooks, weight ball, slings, hoist lines, etc., beneath boom and jib point sheaves is considered part of the jib load. Boom and jib are not to be lowered beyond radii where combined weights are greater than rated capacity. Where no capacity is shown, operation is not intended or approved.

OPERATING CONDITIONS: Machine to operate on a firm, level, and uniformly supporting surface. Refer to Boom Rigging No. 80109323, Jib Rigging No. 81023385, Wire Rope Specifications chart No. 9689-A, Counterweight Arrangements chart No. 9345-A, and Wind Conditions chart No. 9688-A. Crane operator judgment must be used to allow for dynamic load effects of swinging, hoisting or lowering, travel, wind conditions, as well as adverse operating conditions and physical machine depreciation. Refer to the Operator Manual for operating guidelines.

MACHINE TRAVEL: Machine to travel on a firm, level, and uniformly supporting surface. Boom must be within boom angle range shown in capacity chart. Refer to Maximum Allowable Travel Specifications chart No. 9687-A.



OPERATING RADIUS: Operating radius is horizontal distance from axis of rotation to center of vertical hoist line or load block.



BOOM ANGLE: Boom angle in degrees ($^{\circ}$) is angle between horizontal and centerline of boom butt and inserts, and is an indication of operating radius. In all cases, operating radius shall govern capacity.



JIB POINT ELEVATION: Jib point elevation is vertical distance from ground level to centerline of jib point shaft.

MACHINE EQUIPMENT: Machine equipped with 31 ft 10 in. crawlers, 48 in. or 60 in. treads, 30 ft live mast, 24 part boom hoist reeving, boom support straps, and 298,100 lb VPC.

Luffing Jib Backstay Deduct	
Boom Length (ft)	Deduct (lb)
137.8	4,100
157.5	4,600
177.2	5,200
196.9	5,800
216.5	6,400
236.2	6,900

Deduct the appropriate value from capacities when luffing jib backstays are stored on boom.

Refer to Table 1 (with luffing jib backstays stored) and Table 2 (without luffing jib backstays stored) for raising ability with the maximum weight of all load blocks, hooks, weight ball, slings, and hoist lines beneath boom and jib point sheaves. For block weights shown with #, load blocks, hooks, weight ball, and slings must remain on ground until combined weights are within rated capacity of chart. Raising is not permitted in shaded areas of table.

Combined weight beneath boom and jib point sheaves must not exceed block weight shown. Total weight beneath jib point must not exceed 6,200 lb.

Table 1a: With Luffing Jib Backstays

Over End or Side of Crawlers						
Boom Length (ft)	Jib No. 148					
	39.4 ft	59.1 ft	78.7 ft	98.4 ft	118.1 ft	137.8 ft
Block Weight (lb)						
137.8	22,900	22,900	22,900	22,900	22,900	22,900
157.5	22,900	22,900	22,900	15,800	15,800	8,300
177.2	15,800	15,800	8,300	8,300	#	#
196.9	8,300	#	#	#	#	#
216.5	#	Raising Not Permitted				
236.2	#					

Table 1b: With Luffing Jib Backstays

Over End of Blocked Crawlers						
Boom Length (ft)	Jib No. 148					
	39.4 ft	59.1 ft	78.7 ft	98.4 ft	118.1 ft	137.8 ft
Block Weight (lb)						
137.8	22,900	22,900	22,900	22,900	22,900	22,900
157.5	22,900	22,900	22,900	15,800	15,800	8,300
177.2	15,800	15,800	8,300	8,300	#	#
196.9	8,300	#	#	#	#	#
216.5	#	#	#	#	#	#
236.2	#	Raising Not Permitted				

Warning: Crane must remain in-line with crawlers when raising over end of blocked crawlers until operating radius is within 360 degree chart. Crane tipping or structural damage can occur.

Table 2a: Without Luffing Jib Backstays

Over End or Side of Crawlers						
Boom Length (ft)	Jib No. 148					
	39.4 ft	59.1 ft	78.7 ft	98.4 ft	118.1 ft	137.8 ft
	Block Weight (lb)					
137.8	22,900	22,900	22,900	22,900	22,900	22,900
157.5	22,900	22,900	22,900	22,900	15,800	15,800
177.2	15,800	15,800	8,300	8,300	8,300	#
196.9	8,300	8,300	#	#	#	#
216.5	#	#	#	#	#	#
236.2	Raising Not Permitted					

Table 2b: Without Luffing Jib Backstays

Over End of Blocked Crawlers						
Boom Length (ft)	Jib No. 148					
	39.4 ft	59.1 ft	78.7 ft	98.4 ft	118.1 ft	137.8 ft
	Block Weight (lb)					
137.8	22,900	22,900	22,900	22,900	22,900	22,900
157.5	22,900	22,900	22,900	22,900	15,800	15,800
177.2	15,800	15,800	8,300	8,300	8,300	#
196.9	8,300	8,300	#	#	#	#
216.5	#	#	#	#	#	#
236.2	#	#	Raising Not Permitted			

Warning: Crane must remain in-line with crawlers when raising over end of blocked crawlers until operating radius is within 360 degree chart. Crane tipping or structural damage can occur.

REFER TO CHART!

Explanation of Symbols



Jib No. 148
+
Boom No. B15:505-500



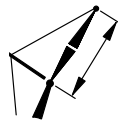
VPC (Variable Position Counterweight)



360 Degree Rating



Boom Length



Jib Length



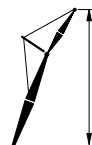
Jib Offset Angle



Operating Radius
(see page 1)



Boom Angle
(see page 1)



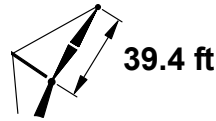
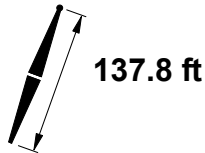
Jib Point Elevation
(see page 1)



Lifting Capacities
(see page 1)

MLC300 S-1

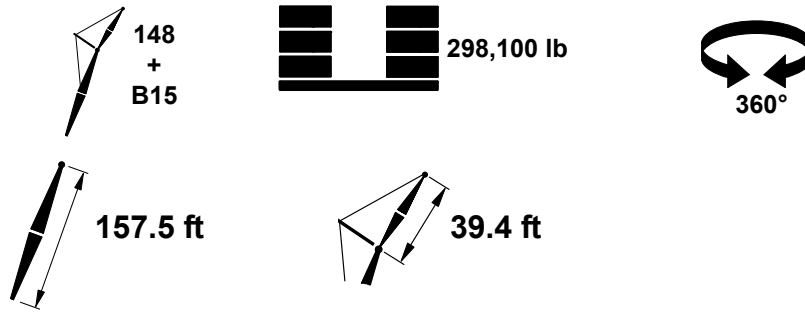
ASME B30.5



ft	10°			20°			ft
	o	ft	lb	o	ft	lb	
30	84.9	183.4	143,300				30
32	84.2	183.1	143,300				32
34	83.6	182.8	143,300				34
36	82.9	182.4	143,300	84.9	180.9	143,300	36
38	82.3	182.1	143,300	84.3	180.6	143,300	38
40	81.6	181.7	143,300	83.6	180.2	142,100	40
45	80.0	180.6	143,300	81.9	179.1	134,600	45
50	78.3	179.4	143,300	80.3	177.9	127,900	50
55	76.6	178.0	143,300	78.6	176.5	121,900	55
60	75.0	176.5	143,300	76.9	174.9	116,400	60
65	73.3	174.7	135,000	75.2	173.2	111,500	65
70	71.5	172.9	123,100	73.4	171.3	106,900	70
75	69.8	170.8	113,000	71.7	169.2	102,800	75
80	68.0	168.6	104,300	69.9	167.0	99,000	80
85	66.3	166.2	96,700	68.1	164.5	95,500	85
90	64.4	163.6	90,100	66.2	161.9	90,600	90
95	62.6	160.7	84,300	64.4	159.0	84,700	95
100	60.7	157.7	79,100	62.5	155.9	79,400	100
105	58.8	154.4	74,400	60.5	152.6	74,700	105
110	56.8	150.9	70,200	58.5	149.1	70,500	110
115	54.8	147.1	66,400	56.5	145.2	66,700	115
120	52.7	143.0	62,900	54.4	141.1	63,200	120
125	50.6	138.6	59,700	52.2	136.6	60,000	125
130	48.4	133.9	56,700	49.9	131.8	57,100	130
135	46.1	128.8	53,300	47.6	126.6	54,000	135
140	43.6	123.2	50,100	45.1	120.9	50,700	140
145	41.1	117.1	47,200	42.6	114.7	47,700	145
150	38.4	110.4	44,500	39.8	107.8	44,900	150
155	35.5	103.0	41,900	36.8	100.2	42,300	155
160	32.4	94.7	39,500	33.6	91.6	39,800	160
165	29.0	85.2	37,200	30.0	81.7	37,500	165
170	25.0	74.0	35,100				170
175	20.2	60.0	33,000				175

MLC300 S-1

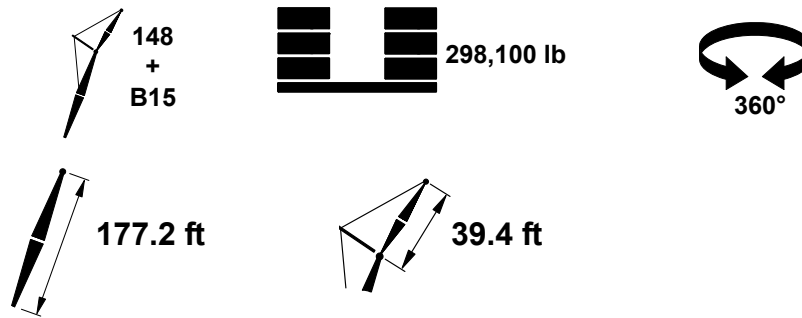
ASME B30.5



	10°			20°			
	ft	°	ft	lb	ft	lb	
32	84.8	203.0	143,300				32
34	84.2	202.7	143,300				34
36	83.6	202.4	143,300				36
38	83.1	202.1	143,300	84.8	200.5	143,100	38
40	82.5	201.7	143,300	84.2	200.2	142,900	40
45	81.0	200.7	143,300	82.8	199.2	137,900	45
50	79.5	199.6	143,300	81.3	198.1	131,500	50
55	78.0	198.4	143,300	79.8	196.8	125,800	55
60	76.5	197.0	143,300	78.2	195.4	120,500	60
65	75.0	195.5	135,500	76.7	193.9	115,800	65
70	73.5	193.8	123,600	75.2	192.2	111,300	70
75	71.9	192.0	113,500	73.6	190.4	107,300	75
80	70.4	190.0	104,800	72.0	188.4	103,500	80
85	68.8	187.9	97,200	70.5	186.2	97,800	85
90	67.2	185.6	90,600	68.8	183.9	91,100	90
95	65.6	183.2	84,700	67.2	181.4	85,200	95
100	63.9	180.5	79,500	65.6	178.8	79,900	100
105	62.3	177.7	74,800	63.9	175.9	75,200	105
110	60.6	174.6	70,600	62.2	172.8	71,000	110
115	58.9	171.4	66,800	60.4	169.6	67,100	115
120	57.1	167.9	62,700	58.6	166.1	63,600	120
125	55.3	164.2	58,700	56.8	162.3	59,700	125
130	53.4	160.3	55,100	54.9	158.3	56,000	130
135	51.5	156.1	51,700	53.0	154.0	52,500	135
140	49.6	151.6	48,500	51.0	149.5	49,300	140
145	47.6	146.7	45,600	49.0	144.5	46,300	145
150	45.5	141.5	42,900	46.9	139.2	43,500	150
155	43.3	135.9	40,400	44.6	133.5	40,900	155
160	41.0	129.8	38,000	42.3	127.4	38,500	160
165	38.6	123.2	35,800	39.9	120.6	36,200	165
170	36.1	116.0	33,700	37.3	113.2	34,100	170
175	33.4	108.0	31,700	34.4	105.0	32,000	175
180	30.4	99.1	29,800	31.4	95.8	30,100	180
185	27.1	88.9	28,000	27.9	85.1	28,200	185
190	23.3	76.8	26,300				190
195	18.7	61.7	24,600				195

MLC300 S-1

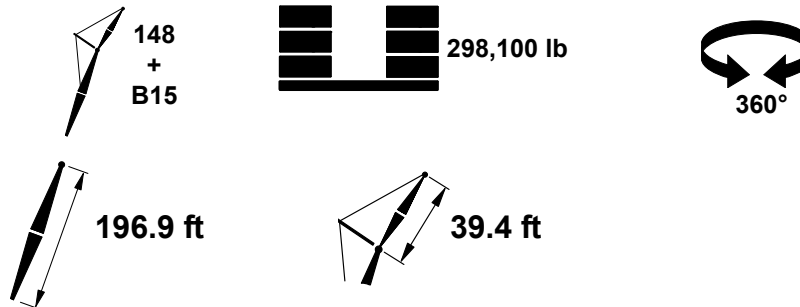
ASME B30.5



	10°			20°			
	ft	°	ft	lb	ft	lb	
34	84.8	222.5	143,300				34
36	84.2	222.3	143,300				36
38	83.7	222.0	143,300				38
40	83.2	221.7	143,300	84.8	220.1	141,900	40
45	81.8	220.8	143,300	83.4	219.2	140,600	45
50	80.5	219.8	143,300	82.1	218.2	134,600	50
55	79.1	218.7	143,300	80.7	217.1	129,100	55
60	77.8	217.4	143,300	79.3	215.8	124,100	60
65	76.4	216.0	136,000	78.0	214.4	119,400	65
70	75.0	214.5	124,100	76.6	212.9	115,200	70
75	73.6	212.9	114,000	75.2	211.3	111,300	75
80	72.2	211.1	105,300	73.8	209.5	105,900	80
85	70.8	209.2	97,700	72.3	207.6	98,300	85
90	69.4	207.2	91,100	70.9	205.5	91,600	90
95	68.0	205.0	85,200	69.5	203.3	85,700	95
100	66.5	202.6	80,000	68.0	200.9	80,400	100
105	65.0	200.1	75,300	66.5	198.4	75,700	105
110	63.5	197.4	70,100	65.0	195.7	71,400	110
115	62.0	194.6	65,300	63.5	192.8	66,600	115
120	60.5	191.6	60,900	61.9	189.7	62,100	120
125	58.9	188.4	56,900	60.3	186.5	58,100	125
130	57.3	185.0	53,300	58.7	183.0	54,300	130
135	55.7	181.3	49,900	57.1	179.4	50,900	135
140	54.0	177.5	46,800	55.4	175.5	47,700	140
145	52.3	173.4	43,900	53.7	171.3	44,700	145
150	50.6	169.1	41,200	51.9	166.9	41,900	150
155	48.8	164.4	38,600	50.1	162.3	39,400	155
160	46.9	159.5	36,300	48.2	157.3	36,900	160
165	45.0	154.2	34,100	46.3	151.9	34,700	165
170	43.0	148.6	32,000	44.2	146.2	32,500	170
175	41.0	142.6	30,000	42.1	140.0	30,500	175
180	38.8	136.0	28,200	39.9	133.4	28,600	180
185	36.5	129.0	26,400	37.6	126.2	26,800	185
190	34.1	121.2	24,700	35.1	118.2	25,100	190
195	31.5	112.7	23,200	32.4	109.4	23,400	195
200	28.6	103.1	21,600	29.5	99.5	21,900	200
205	25.5	92.2	20,200				205
210	21.8	79.4	18,800				210
215	17.4	63.2	17,400				215

MLC300 S-1

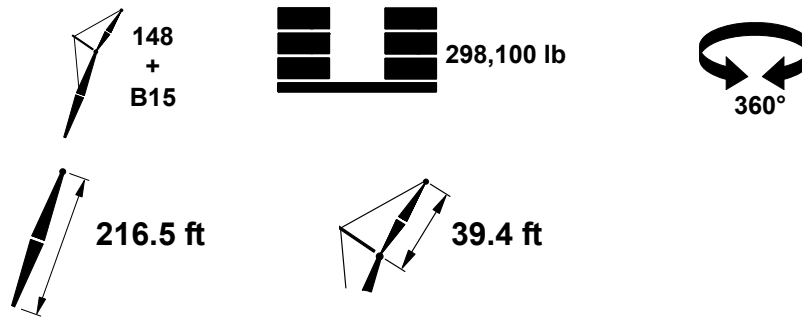
ASME B30.5



	10°			20°			
	ft	°	ft	lb	ft	lb	
36	84.7	242.1	143,300				36
38	84.2	241.9	143,300				38
40	83.7	241.6	143,300				40
45	82.5	240.8	143,300	84.0	239.1	140,100	45
50	81.3	239.9	143,300	82.7	238.2	137,200	50
55	80.0	238.8	143,300	81.5	237.2	131,900	55
60	78.8	237.7	143,300	80.3	236.1	127,100	60
65	77.6	236.4	136,400	79.0	234.8	122,700	65
70	76.3	235.1	124,500	77.7	233.4	118,600	70
75	75.0	233.6	114,400	76.5	231.9	114,800	75
80	73.8	232.0	105,700	75.2	230.3	106,300	80
85	72.5	230.3	98,100	73.9	228.6	98,700	85
90	71.2	228.4	91,500	72.6	226.7	92,000	90
95	69.9	226.4	85,600	71.3	224.7	86,100	95
100	68.6	224.3	79,300	70.0	222.5	80,800	100
105	67.3	222.0	73,500	68.6	220.3	75,100	105
110	65.9	219.6	68,200	67.3	217.9	69,700	110
115	64.6	217.1	63,500	65.9	215.3	64,900	115
120	63.2	214.4	59,100	64.5	212.6	60,400	120
125	61.8	211.5	55,100	63.1	209.7	56,400	125
130	60.4	208.5	51,500	61.7	206.6	52,600	130
135	59.0	205.3	48,100	60.2	203.4	49,200	135
140	57.5	202.0	45,000	58.8	200.0	46,000	140
145	56.0	198.4	42,100	57.3	196.4	43,100	145
150	54.5	194.6	39,400	55.7	192.6	40,300	150
155	53.0	190.7	36,900	54.2	188.6	37,700	155
160	51.4	186.5	34,600	52.6	184.3	35,300	160
165	49.8	182.0	32,400	51.0	179.8	33,100	165
170	48.1	177.3	30,300	49.3	175.1	31,000	170
175	46.4	172.3	28,300	47.5	170.0	29,000	175
180	44.6	167.0	26,500	45.7	164.6	27,100	180
185	42.8	161.3	24,800	43.9	158.9	25,300	185
190	40.9	155.3	23,100	42.0	152.7	23,600	190
195	38.9	148.8	21,500	40.0	146.2	22,000	195
200	36.9	141.9	20,000	37.8	139.0	20,400	200
205	34.7	134.3	18,600	35.6	131.3	19,000	205
210	32.4	126.1	17,300	33.2	122.9	17,500	210
215	29.8	117.0	16,000	30.6	113.6	16,200	215
220	27.1	106.9	14,700	27.8	103.1	14,900	220
225	24.1	95.3	13,500				225
230	20.5	81.7	12,300				230

MLC300 S-1

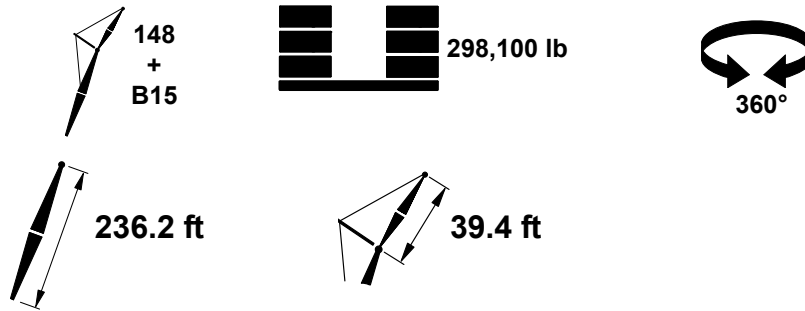
ASME B30.5



	10°			20°			
	ft	°	ft	lb	ft	lb	
38	84.7	261.7	143,300				38
40	84.2	261.4	143,300				40
45	83.1	260.7	143,300	84.5	259.1	138,700	45
50	82.0	259.9	143,300	83.3	258.2	137,800	50
55	80.8	258.9	143,300	82.2	257.3	134,300	55
60	79.7	257.9	143,000	81.0	256.2	129,700	60
65	78.5	256.7	136,700	79.9	255.1	125,500	65
70	77.4	255.5	124,800	78.7	253.8	121,500	70
75	76.2	254.1	114,700	77.5	252.4	115,400	75
80	75.1	252.6	106,000	76.4	250.9	106,600	80
85	73.9	251.0	98,400	75.2	249.3	99,000	85
90	72.7	249.4	91,100	74.0	247.6	92,300	90
95	71.5	247.5	83,900	72.8	245.8	85,900	95
100	70.3	245.6	77,400	71.6	243.9	79,300	100
105	69.1	243.6	71,600	70.4	241.8	73,300	105
110	67.9	241.4	66,300	69.2	239.6	68,000	110
115	66.7	239.1	61,600	67.9	237.3	63,100	115
120	65.4	236.6	57,200	66.7	234.8	58,700	120
125	64.2	234.1	53,300	65.4	232.2	54,600	125
130	62.9	231.3	49,600	64.1	229.5	50,900	130
135	61.6	228.5	46,300	62.8	226.6	47,500	135
140	60.3	225.5	43,200	61.5	223.6	44,300	140
145	59.0	222.3	40,300	60.2	220.4	41,300	145
150	57.7	219.0	37,600	58.8	217.0	38,600	150
155	56.3	215.4	35,100	57.5	213.4	36,000	155
160	54.9	211.8	32,700	56.1	209.7	33,600	160
165	53.5	207.9	30,500	54.6	205.8	31,400	165
170	52.1	203.8	28,500	53.2	201.7	29,300	170
175	50.6	199.5	26,500	51.7	197.3	27,300	175
180	49.1	194.9	24,700	50.2	192.7	25,400	180
185	47.5	190.1	23,000	48.6	187.9	23,600	185
190	45.9	185.1	21,300	47.0	182.7	21,900	190
195	44.3	179.7	19,800	45.3	177.3	20,300	195
200	42.6	174.1	18,300	43.6	171.6	18,800	200
205	40.9	168.0	16,900	41.8	165.4	17,400	205
210	39.1	161.6	15,600	40.0	158.9	16,000	210
215	37.2	154.8	14,300	38.1	151.9	14,600	215
220	35.2	147.4	13,000	36.0	144.4	13,400	220
225	33.1	139.4	11,900	33.9	136.2	12,200	225
230	30.8	130.7	10,700	31.6	127.3	11,000	230
235	28.4	121.1	9,600	29.1	117.4	9,800	235
240	25.8	110.4	8,600	26.4	106.3	8,700	240
245	22.8	98.2	7,600				245

MLC300 S-1

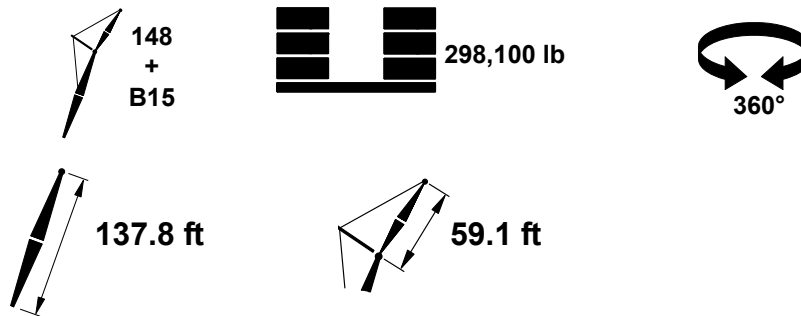
ASME B30.5



	10°			20°			
	ft	°	ft	lb	°	ft	
40	84.6	281.3	143,300	84.9	278.9	134,300	40
45	83.6	280.6	143,300	83.8	278.2	133,200	45
50	82.5	279.8	142,700	82.7	277.3	132,100	50
55	81.5	278.9	142,000	81.7	276.3	131,100	55
60	80.4	278.0	141,400	80.6	275.2	127,900	60
65	79.4	276.9	137,000	79.5	274.1	124,100	65
70	78.3	275.8	125,100	78.5	272.8	115,700	70
75	77.2	274.5	115,000	77.4	271.4	107,000	75
80	76.2	273.1	106,300	76.3	270.0	99,400	80
85	75.1	271.7	97,300	75.2	268.4	91,500	85
90	74.0	270.1	89,100	74.1	266.7	84,100	90
95	72.9	268.4	81,900	73.0	264.9	77,500	95
100	71.8	266.7	75,400	71.9	263.0	71,600	100
105	70.7	264.8	69,700	70.8	261.0	66,200	105
110	69.6	262.8	64,400	69.6	258.9	61,400	110
115	68.5	260.7	59,700	68.5	256.6	56,900	115
120	67.3	258.4	55,400	67.3	254.3	52,900	120
125	66.2	256.1	51,400	66.2	251.8	49,200	125
130	65.0	253.6	47,800	65.0	249.2	45,700	130
135	63.8	251.0	44,400	63.8	246.4	42,600	135
140	62.7	248.3	41,300	62.6	243.5	39,600	140
145	61.5	245.4	38,400	61.4	240.5	36,900	145
150	60.3	242.4	35,700	60.1	237.3	34,300	150
155	59.0	239.3	33,200	58.9	234.0	31,900	155
160	57.8	235.9	30,900	57.6	230.5	29,700	160
165	56.5	232.5	28,700	56.3	226.8	27,600	165
170	55.2	228.8	26,700	55.0	222.9	25,600	170
175	53.9	225.0	24,700	53.7	218.9	23,700	175
180	52.6	221.0	22,900	52.3	214.7	21,900	180
185	51.3	216.8	21,200	50.9	210.2	20,200	185
190	49.9	212.5	19,500	49.5	205.6	18,600	190
195	48.5	207.8	18,000	48.0	200.7	17,100	195
200	47.0	203.0	16,500	46.5	195.5	15,700	200
205	45.5	197.9	15,100	45.0	190.0	14,300	205
210	44.0	192.5	13,800	43.4	184.3	13,000	210
215	42.5	186.8	12,500	41.7	178.2	11,700	215
220	40.8	180.8	11,300	40.0	171.7	10,500	220
225	39.2	174.4	10,100	38.2	164.8	9,400	225
230	37.4	167.6	9,000	36.4	157.4	8,300	230
235	35.6	160.4	7,900	34.4	149.4	7,200	235
240	33.7	152.6	6,800				240

MLC300 S-1

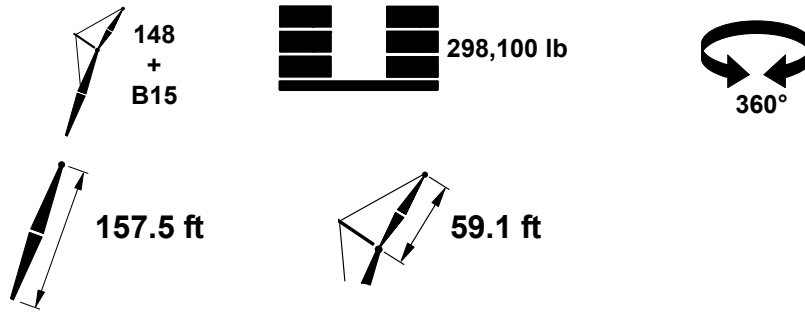
ASME B30.5



	10°			20°			
	ft	°	ft	lb	ft	lb	
38	84.6	201.7	115,000				38
40	84.0	201.3	113,800				40
45	82.5	200.3	110,600				45
50	81.0	199.2	107,700	83.7	197.1	88,800	50
55	79.5	198.0	104,900	82.2	195.8	84,700	55
60	78.0	196.6	102,300	80.6	194.4	80,900	60
65	76.5	195.1	99,700	79.1	192.9	77,400	65
70	75.0	193.4	97,400	77.5	191.2	74,200	70
75	73.4	191.6	95,200	76.0	189.3	71,400	75
80	71.9	189.6	91,300	74.4	187.3	68,700	80
85	70.3	187.5	87,100	72.8	185.2	66,200	85
90	68.7	185.2	83,500	71.2	182.8	64,000	90
95	67.1	182.7	80,000	69.5	180.3	61,800	95
100	65.4	180.1	76,900	67.9	177.6	59,900	100
105	63.7	177.2	74,000	66.2	174.7	58,000	105
110	62.0	174.2	70,200	64.4	171.7	56,300	110
115	60.3	170.9	66,400	62.7	168.4	54,700	115
120	58.5	167.5	62,900	60.9	164.8	53,200	120
125	56.7	163.8	59,800	59.1	161.1	51,800	125
130	54.9	159.8	56,900	57.2	157.0	50,500	130
135	53.0	155.6	54,200	55.2	152.7	49,300	135
140	51.0	151.0	51,700	53.2	148.1	48,100	140
145	49.0	146.2	49,400	51.2	143.1	47,000	145
150	46.9	140.9	46,700	49.0	137.8	46,000	150
155	44.7	135.3	44,200	46.8	132.0	45,000	155
160	42.4	129.2	41,800	44.4	125.7	42,500	160
165	40.0	122.6	39,500	41.9	118.9	40,200	165
170	37.4	115.3	37,400	39.3	111.4	37,900	170
175	34.7	107.3	35,400	36.4	103.0	35,900	175
180	31.7	98.3	33,500	33.3	93.5	33,900	180
185	28.4	87.9	31,600	29.7	82.6	31,900	185
190	24.5	75.7	29,900				190
195	19.8	60.3	28,200				195

MLC300 S-1

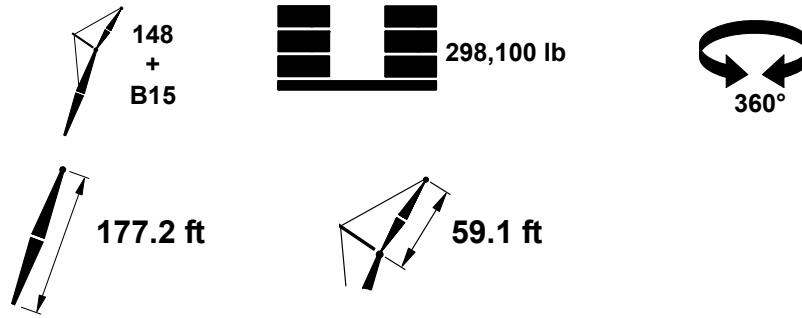
ASME B30.5



	10°			20°			
	ft	°	ft	lb	ft	lb	
40	84.5	221.2	114,000				40
45	83.2	220.4	111,200				45
50	81.8	219.4	108,600	84.3	217.1	90,300	50
55	80.5	218.2	106,000	82.9	216.0	86,400	55
60	79.1	217.0	103,600	81.5	214.7	82,800	60
65	77.8	215.6	101,300	80.1	213.3	79,500	65
70	76.4	214.1	99,100	78.7	211.8	76,500	70
75	75.0	212.5	97,100	77.3	210.1	73,700	75
80	73.6	210.7	95,100	75.9	208.3	71,100	80
85	72.2	208.8	92,000	74.5	206.4	68,800	85
90	70.7	206.7	88,200	73.0	204.3	66,500	90
95	69.3	204.5	84,700	71.6	202.1	64,400	95
100	67.8	202.2	79,500	70.1	199.7	62,500	100
105	66.4	199.7	74,800	68.6	197.2	60,700	105
110	64.9	197.0	70,600	67.1	194.4	59,000	110
115	63.3	194.1	66,800	65.5	191.5	57,300	115
120	61.8	191.1	63,300	64.0	188.5	55,800	120
125	60.2	187.9	60,100	62.4	185.2	54,400	125
130	58.6	184.4	57,200	60.8	181.7	53,100	130
135	57.0	180.8	53,900	59.1	178.0	51,800	135
140	55.3	177.0	50,800	57.4	174.1	50,600	140
145	53.6	172.9	47,800	55.7	169.9	49,000	145
150	51.9	168.5	45,100	53.9	165.5	46,200	150
155	50.1	163.9	42,600	52.0	160.8	43,500	155
160	48.2	158.9	40,200	50.1	155.7	41,100	160
165	46.3	153.6	37,900	48.2	150.3	38,800	165
170	44.3	148.0	35,800	46.1	144.5	36,600	170
175	42.2	141.9	33,900	44.0	138.3	34,500	175
180	40.0	135.3	32,000	41.8	131.6	32,600	180
185	37.7	128.2	30,200	39.4	124.2	30,700	185
190	35.3	120.4	28,500	36.9	116.1	29,000	190
195	32.7	111.8	26,900	34.1	107.2	27,300	195
200	29.8	102.2	25,300	31.1	97.0	25,700	200
205	26.6	91.2	23,900				205
210	22.9	78.1	22,400				210

MLC300 S-1

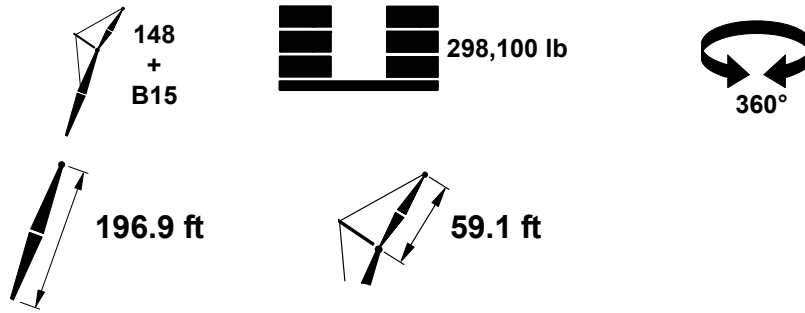
ASME B30.5



ft	10°			20°			ft
	°	ft	lb	°	ft	lb	
40	85.0	241.1	113,400				40
45	83.8	240.3	111,400				45
50	82.5	239.4	109,000	84.8	237.1	91,500	50
55	81.3	238.4	106,700	83.5	236.0	87,900	55
60	80.1	237.2	104,500	82.2	234.9	84,500	60
65	78.8	236.0	102,400	81.0	233.6	81,400	65
70	77.6	234.6	100,400	79.7	232.2	78,500	70
75	76.3	233.1	98,500	78.4	230.7	75,800	75
80	75.0	231.5	96,600	77.2	229.1	73,300	80
85	73.7	229.8	94,800	75.9	227.4	70,900	85
90	72.4	227.9	91,000	74.6	225.5	68,700	90
95	71.1	225.9	85,100	73.2	223.5	66,700	95
100	69.8	223.8	79,900	71.9	221.3	64,800	100
105	68.5	221.6	75,200	70.6	219.0	63,000	105
110	67.2	219.1	71,000	69.2	216.6	61,300	110
115	65.8	216.6	67,100	67.8	214.0	59,700	115
120	64.4	213.9	63,300	66.4	211.3	58,200	120
125	63.0	211.0	59,300	65.0	208.4	56,800	125
130	61.6	208.0	55,600	63.6	205.3	55,400	130
135	60.2	204.8	52,200	62.1	202.1	53,700	135
140	58.7	201.4	49,000	60.6	198.6	50,400	140
145	57.2	197.9	46,100	59.1	195.0	47,400	145
150	55.7	194.1	43,400	57.6	191.2	44,600	150
155	54.2	190.1	40,800	56.0	187.1	42,000	155
160	52.6	185.9	38,500	54.4	182.8	39,500	160
165	50.9	181.4	36,200	52.8	178.3	37,200	165
170	49.3	176.7	34,100	51.1	173.5	35,100	170
175	47.6	171.7	32,200	49.3	168.4	33,000	175
180	45.8	166.3	30,300	47.5	162.9	31,100	180
185	44.0	160.7	28,500	45.6	157.1	29,300	185
190	42.1	154.6	26,800	43.7	150.9	27,500	190
195	40.1	148.1	25,300	41.6	144.2	25,900	195
200	38.0	141.1	23,700	39.5	137.0	24,300	200
205	35.8	133.5	22,300	37.2	129.2	22,800	205
210	33.4	125.2	20,900	34.8	120.6	21,300	210
215	30.9	116.1	19,600	32.1	111.0	19,900	215
220	28.2	105.9	18,300	29.2	100.3	18,600	220
225	25.1	94.2	17,100				225
230	21.5	80.3	15,900				230

MLC300 S-1

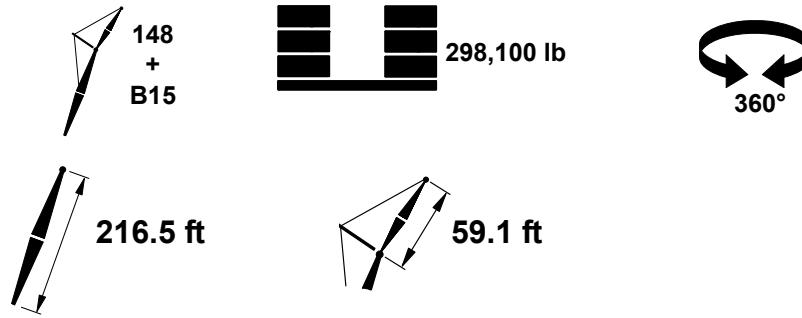
ASME B30.5



	10°			20°			
	ft	°	ft	lb	ft	lb	
45	84.2	260.2	111,100				45
50	83.1	259.4	109,000				50
55	82.0	258.5	106,900	84.0	256.1	89,100	55
60	80.8	257.4	105,000	82.9	255.0	85,900	60
65	79.7	256.3	103,000	81.7	253.8	82,900	65
70	78.5	255.0	101,200	80.5	252.6	80,200	70
75	77.4	253.6	99,400	79.4	251.2	77,600	75
80	76.2	252.2	97,700	78.2	249.7	75,200	80
85	75.0	250.6	96,000	77.0	248.1	72,900	85
90	73.9	248.9	91,300	75.8	246.4	70,800	90
95	72.7	247.1	85,400	74.6	244.5	68,800	95
100	71.5	245.1	80,200	73.4	242.6	66,900	100
105	70.3	243.1	75,500	72.2	240.5	65,100	105
110	69.0	240.9	70,700	70.9	238.3	63,500	110
115	67.8	238.6	65,900	69.7	236.0	61,900	115
120	66.6	236.1	61,500	68.4	233.5	60,400	120
125	65.3	233.5	57,500	67.2	230.9	59,000	125
130	64.0	230.8	53,800	65.9	228.1	55,600	130
135	62.7	228.0	50,400	64.6	225.2	52,100	135
140	61.4	224.9	47,300	63.3	222.2	48,800	140
145	60.1	221.7	44,400	61.9	218.9	45,800	145
150	58.8	218.4	41,600	60.5	215.6	43,000	150
155	57.4	214.9	39,100	59.2	212.0	40,400	155
160	56.0	211.2	36,700	57.7	208.2	38,000	160
165	54.6	207.3	34,500	56.3	204.3	35,700	165
170	53.1	203.2	32,400	54.8	200.1	33,500	170
175	51.7	198.9	30,400	53.3	195.7	31,500	175
180	50.2	194.3	28,600	51.8	191.1	29,500	180
185	48.6	189.5	26,800	50.2	186.2	27,700	185
190	47.0	184.4	25,200	48.6	181.0	26,000	190
195	45.4	179.1	23,600	46.9	175.5	24,300	195
200	43.7	173.4	22,100	45.2	169.7	22,800	200
205	41.9	167.3	20,700	43.4	163.5	21,300	205
210	40.1	160.9	19,300	41.5	156.9	19,900	210
215	38.2	154.0	18,000	39.6	149.8	18,500	215
220	36.2	146.5	16,700	37.5	142.2	17,200	220
225	34.1	138.5	15,500	35.3	133.9	15,900	225
230	31.8	129.7	14,400	33.0	124.8	14,700	230
235	29.4	120.1	13,300	30.4	114.7	13,600	235
240	26.7	109.3	12,200				240
245	23.7	96.9	11,100				245
250	20.3	82.2	10,100				250

MLC300 S-1

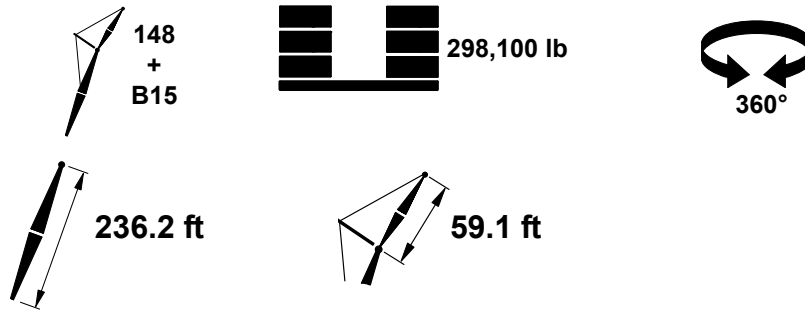
ASME B30.5



	10°			20°			
	ft	°	ft	lb	ft	lb	
45	84.7	280.1	110,600				45
50	83.6	279.3	108,700				50
55	82.6	278.5	106,800	84.5	276.0	90,200	55
60	81.5	277.5	105,000	83.4	275.0	87,100	60
65	80.4	276.4	103,200	82.3	274.0	84,200	65
70	79.4	275.3	101,600	81.2	272.8	81,600	70
75	78.3	274.0	100,000	80.2	271.5	79,200	75
80	77.2	272.6	98,300	79.1	270.2	76,800	80
85	76.1	271.2	96,900	78.0	268.7	74,700	85
90	75.1	269.6	91,600	76.9	267.1	72,600	90
95	74.0	267.9	85,700	75.8	265.4	70,700	95
100	72.9	266.2	80,000	74.7	263.6	68,800	100
105	71.7	264.3	74,200	73.5	261.7	67,000	105
110	70.6	262.3	68,900	72.4	259.7	65,400	110
115	69.5	260.2	64,100	71.3	257.5	63,900	115
120	68.4	257.9	59,700	70.1	255.3	61,900	120
125	67.2	255.6	55,700	69.0	252.9	57,700	125
130	66.1	253.1	52,000	67.8	250.4	53,900	130
135	64.9	250.5	48,600	66.6	247.8	50,400	135
140	63.7	247.7	45,500	65.4	245.0	47,200	140
145	62.5	244.9	42,500	64.2	242.1	44,200	145
150	61.3	241.9	39,800	63.0	239.0	41,400	150
155	60.1	238.7	37,300	61.7	235.8	38,800	155
160	58.8	235.4	34,900	60.5	232.5	36,300	160
165	57.6	231.9	32,700	59.2	228.9	34,000	165
170	56.3	228.3	30,600	57.9	225.3	31,900	170
175	55.0	224.4	28,700	56.6	221.4	29,800	175
180	53.6	220.4	26,800	55.2	217.3	27,900	180
185	52.3	216.2	25,100	53.8	213.1	26,100	185
190	50.9	211.8	23,400	52.4	208.6	24,400	190
195	49.5	207.2	21,800	51.0	203.9	22,700	195
200	48.0	202.3	20,300	49.5	198.9	21,200	200
205	46.5	197.2	18,900	48.0	193.7	19,700	205
210	45.0	191.8	17,600	46.4	188.2	18,300	210
215	43.4	186.1	16,300	44.8	182.4	16,900	215
220	41.8	180.0	15,000	43.2	176.2	15,700	220
225	40.1	173.6	13,800	41.4	169.6	14,400	225
230	38.4	166.8	12,700	39.6	162.6	13,200	230
235	36.5	159.5	11,600	37.7	155.1	12,100	235
240	34.6	151.7	10,600	35.8	147.0	11,000	240
245	32.6	143.2	9,500	33.6	138.3	9,900	245
250	30.4	134.0	8,600	31.4	128.7	8,900	250
255	28.0	123.8	7,600	28.9	118.0	7,900	255
260	25.4	112.5	6,600				260

MLC300 S-1

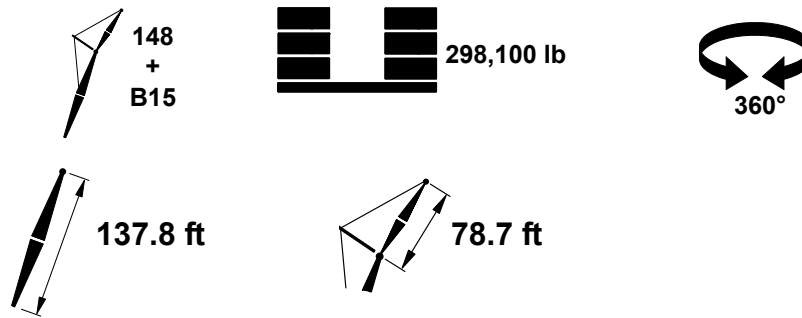
ASME B30.5



	10°			20°			
	ft	°	ft	lb	ft	lb	
50	84.0	299.2	104,500	84.8	296.0	90,700	50
55	83.1	298.4	102,900	83.8	295.0	89,100	55
60	82.1	297.5	101,300	82.8	294.0	86,300	60
65	81.1	296.5	99,800	81.8	293.0	83,800	65
70	80.1	295.5	98,400	80.8	291.8	81,300	70
75	79.1	294.3	97,000	79.8	290.5	79,000	75
80	78.1	293.0	95,500	78.8	289.1	76,900	80
85	77.1	291.7	94,200	77.8	287.7	74,800	85
90	76.1	290.2	91,900	76.8	286.1	72,900	90
95	75.1	288.7	84,700	75.7	284.4	71,100	95
100	74.1	287.0	78,200	74.7	282.7	69,400	100
105	73.0	285.3	72,300	73.7	280.8	67,700	105
110	72.0	283.4	67,000	72.6	278.8	64,700	110
115	71.0	281.5	62,200	71.6	276.7	60,200	115
120	69.9	279.4	57,900	70.5	274.6	56,100	120
125	68.8	277.2	53,900	69.4	272.3	52,300	125
130	67.8	275.0	50,200	68.3	269.8	48,800	130
135	66.7	272.6	46,800	67.2	267.3	45,500	135
140	65.6	270.1	43,700	66.1	264.7	42,500	140
145	64.5	267.4	40,700	65.0	261.9	39,700	145
150	63.4	264.7	38,000	63.9	259.0	37,100	150
155	62.3	261.8	35,500	62.7	255.9	34,600	155
160	61.2	258.8	33,100	61.6	252.7	32,300	160
165	60.0	255.6	30,900	60.4	249.4	30,200	165
170	58.9	252.3	28,800	59.2	245.9	28,200	170
175	57.7	248.9	26,900	58.0	242.3	26,200	175
180	56.5	245.3	25,000	56.8	238.5	24,400	180
185	55.3	241.6	23,300	55.5	234.5	22,700	185
190	54.0	237.6	21,600	54.2	230.3	21,100	190
195	52.8	233.5	20,000	52.9	226.0	19,500	195
200	51.5	229.2	18,600	51.6	221.4	18,100	200
205	50.2	224.7	17,100	50.3	216.6	16,700	205
210	48.9	220.0	15,800	48.9	211.6	15,300	210
215	47.5	215.1	14,500	47.5	206.4	14,000	215
220	46.1	209.9	13,300	46.0	200.8	12,800	220
225	44.7	204.5	12,100	44.5	195.0	11,600	225
230	43.2	198.8	11,000	43.0	188.8	10,500	230
235	41.7	192.7	9,900	41.4	182.3	9,400	235
240	40.1	186.4	8,800	39.7	175.4	8,400	240
245	38.5	179.6	7,800	37.9	168.0	7,400	245
250	36.8	172.4	6,900				250

MLC300 S-1

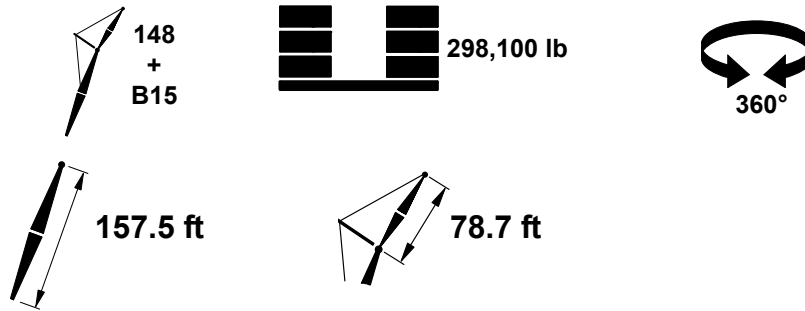
ASME B30.5



ft	10°			20°			ft
	°	ft	lb	°	ft	lb	
45	84.1	220.3	84,000				45
50	82.7	219.3	81,900				50
55	81.4	218.2	79,900	84.6	215.7	69,300	55
60	80.0	217.0	77,900	83.3	214.4	66,000	60
65	78.7	215.6	76,100	81.9	213.0	63,000	65
70	77.3	214.1	74,400	80.5	211.5	60,300	70
75	75.9	212.5	72,700	79.1	209.9	57,800	75
80	74.5	210.7	71,000	77.7	208.1	55,500	80
85	73.1	208.8	69,500	76.2	206.1	53,400	85
90	71.6	206.7	68,000	74.8	204.0	51,400	90
95	70.2	204.5	65,100	73.3	201.8	49,600	95
100	68.7	202.2	62,500	71.8	199.4	47,900	100
105	67.3	199.6	60,000	70.3	196.9	46,300	105
110	65.8	197.0	57,700	68.8	194.1	44,900	110
115	64.2	194.1	55,600	67.3	191.2	43,500	115
120	62.7	191.1	53,600	65.7	188.2	42,100	120
125	61.1	187.9	51,700	64.1	184.9	40,900	125
130	59.5	184.4	50,000	62.5	181.4	39,800	130
135	57.9	180.8	48,400	60.8	177.7	38,700	135
140	56.2	176.9	46,900	59.1	173.8	37,700	140
145	54.5	172.8	45,400	57.4	169.6	36,800	145
150	52.8	168.5	44,100	55.6	165.2	35,800	150
155	51.0	163.8	42,800	53.7	160.4	34,900	155
160	49.1	158.9	41,600	51.8	155.4	34,200	160
165	47.2	153.6	40,500	49.9	149.9	33,400	165
170	45.2	148.0	39,100	47.8	144.1	32,700	170
175	43.1	141.9	37,100	45.7	137.9	32,000	175
180	40.9	135.3	35,200	43.4	131.1	31,400	180
185	38.6	128.2	33,400	41.1	123.7	30,800	185
190	36.2	120.4	31,700	38.5	115.6	30,300	190
195	33.6	111.8	30,100	35.8	106.6	29,800	195
200	30.7	102.2	28,500	32.7	96.4	29,000	200
205	27.5	91.1	27,000	29.3	84.6	27,400	205
210	23.8	78.1	25,600				210
215	19.2	61.5	24,200				215

MLC300 S-1

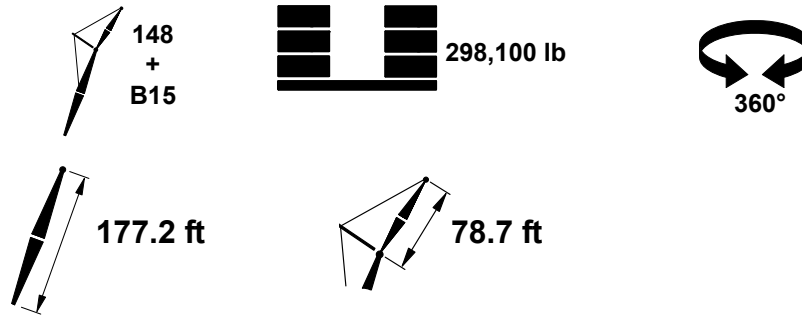
ASME B30.5



	10°			20°			
	ft	°	ft	lb	ft	lb	
45	84.6	240.3	84,100				45
50	83.4	239.4	82,200				50
55	82.1	238.3	80,400				55
60	80.9	237.2	78,600	83.9	234.6	67,200	60
65	79.6	236.0	77,000	82.6	233.3	64,400	65
70	78.4	234.6	75,300	81.3	231.9	61,800	70
75	77.1	233.1	73,800	80.0	230.4	59,400	75
80	75.8	231.5	72,200	78.8	228.8	57,200	80
85	74.6	229.8	70,800	77.5	227.0	55,100	85
90	73.3	227.9	69,400	76.1	225.1	53,200	90
95	72.0	225.9	68,100	74.8	223.1	51,400	95
100	70.6	223.8	65,900	73.5	221.0	49,800	100
105	69.3	221.5	63,400	72.1	218.7	48,200	105
110	68.0	219.1	61,100	70.8	216.2	46,700	110
115	66.6	216.6	58,900	69.4	213.6	45,300	115
120	65.2	213.9	56,900	68.0	210.9	44,100	120
125	63.8	211.0	55,000	66.6	208.0	42,800	125
130	62.4	208.0	53,200	65.2	204.9	41,700	130
135	61.0	204.8	51,500	63.7	201.7	40,600	135
140	59.5	201.4	50,000	62.2	198.2	39,600	140
145	58.0	197.8	48,500	60.7	194.6	38,600	145
150	56.5	194.0	46,700	59.1	190.8	37,700	150
155	55.0	190.0	44,200	57.6	186.7	36,800	155
160	53.4	185.8	41,800	56.0	182.4	36,000	160
165	51.8	181.4	39,500	54.3	177.8	35,200	165
170	50.1	176.6	37,400	52.6	173.0	34,500	170
175	48.4	171.6	35,500	50.8	167.9	33,800	175
180	46.6	166.3	33,600	49.0	162.4	33,100	180
185	44.8	160.6	31,800	47.2	156.6	32,500	185
190	42.9	154.5	30,100	45.2	150.4	31,000	190
195	40.9	148.0	28,500	43.1	143.7	29,300	195
200	38.8	141.0	27,000	41.0	136.4	27,700	200
205	36.6	133.5	25,600	38.7	128.5	26,200	205
210	34.2	125.2	24,200	36.3	119.9	24,700	210
215	31.7	116.0	22,900	33.6	110.3	23,300	215
220	29.0	105.8	21,600	30.7	99.4	22,000	220
225	25.9	94.1	20,300				225
230	22.3	80.1	19,100				230

MLC300 S-1

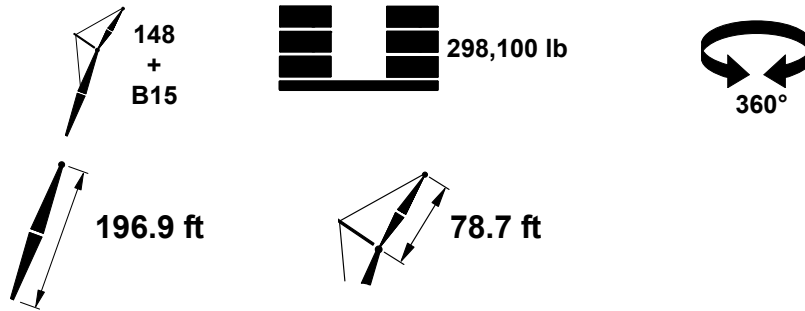
ASME B30.5



ft	10°			20°			ft
	ft	lb	ft	ft	lb	ft	
45	85.0	260.2	84,000				45
50	83.9	259.3	82,300				50
55	82.7	258.4	80,700				55
60	81.6	257.3	79,100	84.3	254.6	68,200	60
65	80.4	256.2	77,500	83.2	253.4	65,500	65
70	79.3	254.9	76,000	82.0	252.2	63,000	70
75	78.1	253.6	74,600	80.8	250.8	60,800	75
80	77.0	252.1	73,200	79.7	249.3	58,600	80
85	75.8	250.5	71,800	78.5	247.7	56,600	85
90	74.6	248.8	70,600	77.3	246.0	54,800	90
95	73.4	247.0	69,300	76.1	244.1	53,000	95
100	72.2	245.1	68,100	74.9	242.2	51,400	100
105	71.0	243.0	66,500	73.6	240.1	49,900	105
110	69.8	240.8	64,200	72.4	237.9	48,400	110
115	68.6	238.5	62,000	71.2	235.5	47,100	115
120	67.3	236.1	59,900	69.9	233.1	45,800	120
125	66.1	233.5	58,000	68.6	230.4	44,600	125
130	64.8	230.8	56,200	67.3	227.7	43,400	130
135	63.5	227.9	53,800	66.0	224.8	42,300	135
140	62.2	224.9	50,600	64.7	221.7	41,300	140
145	60.9	221.7	47,700	63.3	218.5	40,300	145
150	59.5	218.3	45,000	62.0	215.1	39,400	150
155	58.1	214.8	42,400	60.6	211.5	38,600	155
160	56.8	211.1	40,000	59.2	207.7	37,700	160
165	55.3	207.2	37,800	57.7	203.8	36,900	165
170	53.9	203.1	35,700	56.3	199.6	36,200	170
175	52.4	198.8	33,700	54.8	195.2	35,000	175
180	50.9	194.2	31,900	53.2	190.5	33,100	180
185	49.3	189.4	30,100	51.6	185.6	31,200	185
190	47.8	184.4	28,400	50.0	180.4	29,500	190
195	46.1	179.0	26,800	48.3	175.0	27,800	195
200	44.4	173.3	25,300	46.6	169.1	26,200	200
205	42.7	167.2	23,900	44.8	162.9	24,700	205
210	40.8	160.8	22,500	42.9	156.3	23,300	210
215	38.9	153.9	21,200	40.9	149.1	21,900	215
220	36.9	146.4	20,000	38.9	141.4	20,600	220
225	34.8	138.4	18,800	36.7	133.1	19,300	225
230	32.5	129.6	17,600	34.3	123.9	18,100	230
235	30.1	120.0	16,500	31.7	113.7	16,900	235
240	27.4	109.1	15,400	28.9	102.2	15,700	240
245	24.5	96.7	14,300				245
250	21.0	82.0	13,300				250

MLC300 S-1

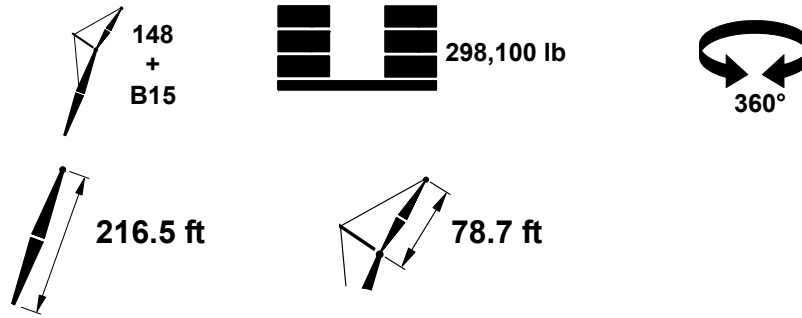
ASME B30.5



ft	10°			20°			ft
	°	ft	lb	°	ft	lb	
50	84.3	279.3	82,100				50
55	83.3	278.4	80,600				55
60	82.2	277.4	79,200	84.8	274.6	69,000	60
65	81.1	276.4	77,700	83.7	273.5	66,400	65
70	80.1	275.2	76,400	82.6	272.3	64,100	70
75	79.0	273.9	75,100	81.5	271.1	61,900	75
80	77.9	272.6	73,800	80.4	269.7	59,900	80
85	76.8	271.1	72,500	79.3	268.2	58,000	85
90	75.8	269.5	71,300	78.2	266.6	56,200	90
95	74.7	267.9	70,200	77.1	264.9	54,500	95
100	73.6	266.1	69,000	76.0	263.1	52,900	100
105	72.4	264.2	67,900	74.9	261.2	51,400	105
110	71.3	262.2	66,900	73.8	259.2	49,900	110
115	70.2	260.1	64,900	72.6	257.1	48,700	115
120	69.1	257.8	62,800	71.5	254.8	47,400	120
125	67.9	255.5	59,100	70.3	252.4	46,200	125
130	66.8	253.0	55,400	69.1	249.9	45,000	130
135	65.6	250.4	52,000	67.9	247.3	43,900	135
140	64.4	247.7	48,900	66.7	244.5	42,900	140
145	63.2	244.8	45,900	65.5	241.6	41,900	145
150	62.0	241.8	43,200	64.3	238.5	41,000	150
155	60.8	238.6	40,700	63.1	235.3	40,200	155
160	59.5	235.3	38,300	61.8	231.9	39,300	160
165	58.2	231.8	36,100	60.5	228.4	37,700	165
170	57.0	228.2	34,000	59.2	224.7	35,500	170
175	55.7	224.3	32,000	57.9	220.8	33,500	175
180	54.3	220.3	30,100	56.5	216.7	31,500	180
185	53.0	216.1	28,400	55.1	212.5	29,700	185
190	51.6	211.7	26,700	53.7	208.0	27,900	190
195	50.2	207.1	25,100	52.3	203.2	26,300	195
200	48.7	202.2	23,600	50.8	198.3	24,700	200
205	47.2	197.1	22,200	49.3	193.0	23,200	205
210	45.7	191.7	20,900	47.7	187.5	21,800	210
215	44.1	186.0	19,600	46.1	181.7	20,400	215
220	42.5	179.9	18,300	44.4	175.5	19,100	220
225	40.8	173.5	17,100	42.7	168.9	17,900	225
230	39.0	166.7	16,000	40.9	161.8	16,700	230
235	37.2	159.4	14,900	39.0	154.3	15,500	235
240	35.3	151.5	13,800	37.0	146.2	14,400	240
245	33.2	143.1	12,800	34.9	137.4	13,300	245
250	31.0	133.8	11,800	32.6	127.7	12,200	250
255	28.7	123.7	10,900	30.1	116.9	11,200	255
260	26.1	112.3	9,900				260
265	23.2	99.2	9,000				265
270	19.8	83.6	8,100				270

MLC300 S-1

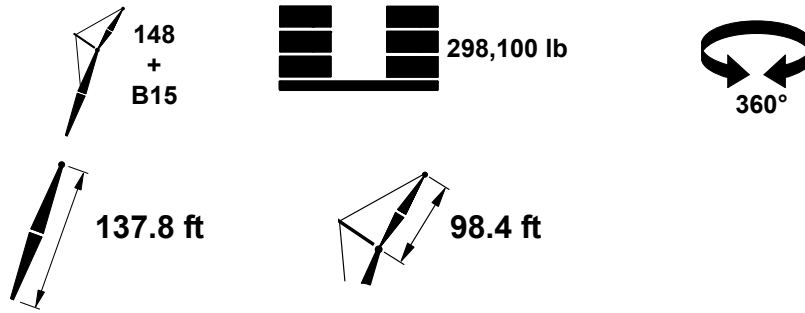
ASME B30.5



ft	10°			20°			ft
	°	ft	lb	°	ft	lb	
50	84.7	299.2	81,700				50
55	83.7	298.3	80,400				55
60	82.7	297.4	79,100				60
65	81.7	296.5	77,700	84.1	293.5	67,200	65
70	80.7	295.4	76,500	83.1	292.5	65,000	70
75	79.8	294.2	75,300	82.1	291.3	62,900	75
80	78.8	292.9	74,100	81.1	290.0	61,000	80
85	77.7	291.6	73,000	80.1	288.6	59,100	85
90	76.7	290.1	71,900	79.1	287.1	57,400	90
95	75.7	288.6	70,800	78.0	285.6	55,700	95
100	74.7	286.9	69,800	77.0	283.9	54,200	100
105	73.7	285.2	68,700	76.0	282.1	52,700	105
110	72.6	283.3	67,700	74.9	280.3	51,400	110
115	71.6	281.4	65,800	73.9	278.3	50,000	115
120	70.6	279.3	61,400	72.8	276.2	48,800	120
125	69.5	277.1	57,400	71.7	274.0	47,600	125
130	68.4	274.9	53,700	70.7	271.7	46,500	130
135	67.4	272.5	50,200	69.6	269.3	45,400	135
140	66.3	270.0	47,100	68.5	266.8	44,500	140
145	65.2	267.3	44,200	67.4	264.1	43,400	145
150	64.1	264.6	41,400	66.2	261.3	42,500	150
155	62.9	261.7	38,900	65.1	258.4	40,900	155
160	61.8	258.7	36,500	64.0	255.3	38,400	160
165	60.7	255.5	34,300	62.8	252.1	36,100	165
170	59.5	252.2	32,200	61.6	248.8	33,900	170
175	58.3	248.8	30,200	60.4	245.3	31,800	175
180	57.1	245.2	28,400	59.2	241.7	29,900	180
185	55.9	241.5	26,600	58.0	237.9	28,100	185
190	54.7	237.5	25,000	56.7	233.9	26,300	190
195	53.4	233.4	23,400	55.5	229.7	24,700	195
200	52.2	229.1	21,900	54.2	225.3	23,100	200
205	50.9	224.6	20,500	52.8	220.7	21,600	205
210	49.5	219.9	19,100	51.5	216.0	20,200	210
215	48.2	215.0	17,800	50.1	210.9	18,900	215
220	46.8	209.8	16,600	48.7	205.6	17,600	220
225	45.3	204.4	15,400	47.2	200.1	16,300	225
230	43.9	198.7	14,300	45.7	194.2	15,100	230
235	42.3	192.6	13,200	44.1	188.0	14,000	235
240	40.8	186.2	12,100	42.5	181.5	12,900	240
245	39.1	179.5	11,100	40.8	174.6	11,800	245
250	37.4	172.3	10,100	39.1	167.1	10,800	250
255	35.7	164.6	9,200	37.3	159.2	9,800	255
260	33.8	156.4	8,300	35.3	150.7	8,800	260
265	31.8	147.5	7,400	33.3	141.4	7,900	265
270	29.7	137.8	6,600	31.0	131.2	7,000	270

MLC300 S-1

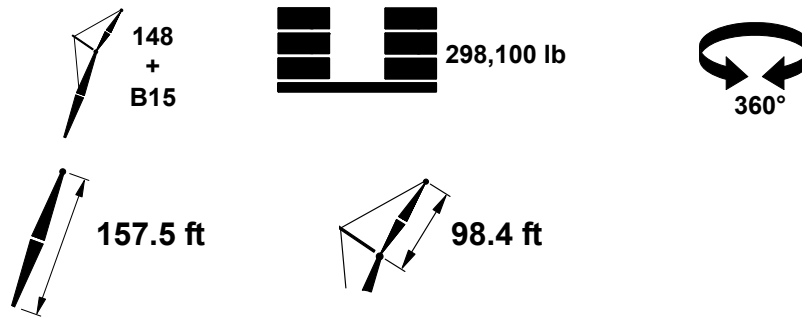
ASME B30.5



	10°			20°			
	ft	°	ft	lb	ft	lb	
45	84.9	240.5	67,000				45
50	83.7	239.6	65,400				50
55	82.5	238.6	63,800				55
60	81.2	237.4	62,300				60
65	80.0	236.2	60,800				65
70	78.7	234.8	59,400	83.8	233.6	53,800	70
75	77.5	233.3	58,000	81.2	230.7	50,700	75
80	76.2	231.7	56,300	79.9	229.0	48,500	80
85	74.9	230.0	54,800	78.6	227.3	46,500	85
90	73.6	228.1	53,300	77.3	225.4	44,700	90
95	72.3	226.1	51,900	76.0	223.4	43,000	95
100	71.0	224.0	50,600	74.7	221.2	41,300	100
105	69.7	221.8	49,300	73.3	218.9	39,900	105
110	68.3	219.4	48,000	72.0	216.5	38,400	110
115	67.0	216.8	46,900	70.6	213.9	37,200	115
120	65.6	214.1	45,700	69.2	211.2	35,900	120
125	64.2	211.3	44,600	67.8	208.3	34,800	125
130	62.8	208.2	43,200	66.3	205.2	33,700	130
135	61.4	205.0	41,700	64.9	202.0	32,700	135
140	59.9	201.7	40,200	63.4	198.6	31,700	140
145	58.4	198.1	38,900	61.9	194.9	30,900	145
150	56.9	194.3	37,700	60.4	191.1	30,000	150
155	55.4	190.3	36,400	58.8	187.0	29,200	155
160	53.8	186.1	35,300	57.2	182.7	28,400	160
165	52.1	181.7	34,300	55.5	178.2	27,700	165
170	50.5	177.0	33,300	53.8	173.4	27,000	170
175	48.8	171.9	32,400	52.1	168.3	26,400	175
180	47.0	166.6	31,500	50.3	162.8	25,800	180
185	45.2	161.0	30,700	48.4	157.0	25,100	185
190	43.3	154.9	29,900	46.4	150.8	24,600	190
195	41.3	148.4	29,100	44.4	144.1	24,100	195
200	39.2	141.4	28,300	42.2	136.9	23,600	200
205	37.0	133.9	27,700	40.0	129.0	23,100	205
210	34.7	125.6	27,000	37.5	120.4	22,700	210
215	32.2	116.5	25,700	34.9	110.9	22,300	215
220	29.4	106.3	24,400	32.0	100.1	22,000	220
225	26.4	94.7	23,200	28.7	87.5	21,700	225
230	22.8	80.9	22,000				230
235	18.4	63.4	20,800				235

MLC300 S-1

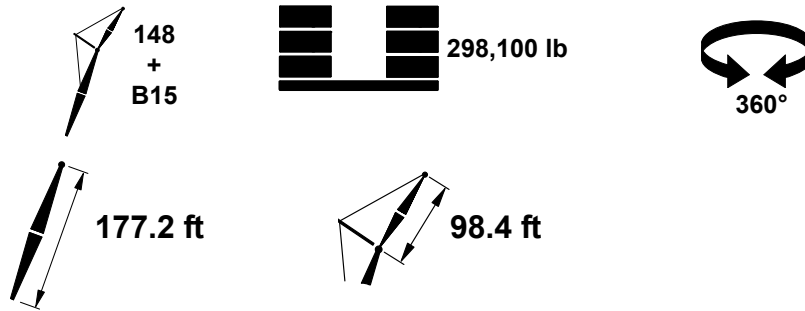
ASME B30.5



	10°			20°			
	ft	°	ft	lb	ft	lb	
50	84.2	259.6	65,500				50
55	83.1	258.6	64,100				55
60	81.9	257.6	62,700				60
65	80.8	256.4	61,400	84.3	253.7	54,100	65
70	79.6	255.2	60,100	83.1	252.4	52,900	70
75	78.5	253.8	58,800	81.9	251.0	51,600	75
80	77.3	252.3	57,400	80.7	249.5	49,700	80
85	76.1	250.7	56,000	79.6	247.9	47,800	85
90	74.9	249.0	54,600	78.4	246.2	46,000	90
95	73.8	247.2	53,200	77.2	244.4	44,400	95
100	72.6	245.3	52,000	75.9	242.4	42,800	100
105	71.3	243.2	50,800	74.7	240.3	41,400	105
110	70.1	241.1	49,600	73.5	238.1	40,000	110
115	68.9	238.7	48,400	72.2	235.8	38,700	115
120	67.7	236.3	47,300	71.0	233.3	37,500	120
125	66.4	233.7	46,300	69.7	230.7	36,300	125
130	65.1	231.0	45,300	68.4	227.9	35,300	130
135	63.8	228.1	44,200	67.1	225.0	34,200	135
140	62.5	225.1	42,800	65.8	222.0	33,300	140
145	61.2	221.9	41,400	64.4	218.7	32,400	145
150	59.9	218.6	40,200	63.1	215.3	31,500	150
155	58.5	215.1	38,900	61.7	211.8	30,700	155
160	57.1	211.4	37,800	60.3	208.0	29,900	160
165	55.7	207.5	36,700	58.8	204.0	29,200	165
170	54.2	203.4	35,600	57.4	199.9	28,500	170
175	52.8	199.1	34,700	55.9	195.5	27,800	175
180	51.3	194.5	33,700	54.3	190.8	27,200	180
185	49.7	189.7	32,900	52.7	185.9	26,600	185
190	48.1	184.7	31,300	51.1	180.8	26,000	190
195	46.5	179.3	29,700	49.4	175.3	25,500	195
200	44.8	173.6	28,200	47.7	169.4	24,900	200
205	43.0	167.6	26,800	45.9	163.2	24,500	205
210	41.2	161.1	25,400	44.0	156.6	24,000	210
215	39.3	154.2	24,100	42.1	149.5	23,600	215
220	37.3	146.8	22,900	40.0	141.8	23,100	220
225	35.2	138.8	21,700	37.8	133.5	22,400	225
230	33.0	130.1	20,500	35.5	124.4	21,100	230
235	30.5	120.5	19,400	32.9	114.2	19,900	235
240	27.9	109.7	18,300	30.1	102.8	18,800	240
245	24.9	97.4	17,300	26.9	89.4	17,600	245
250	21.5	82.7	16,300				250
255	17.1	64.1	15,200				255

MLC300 S-1

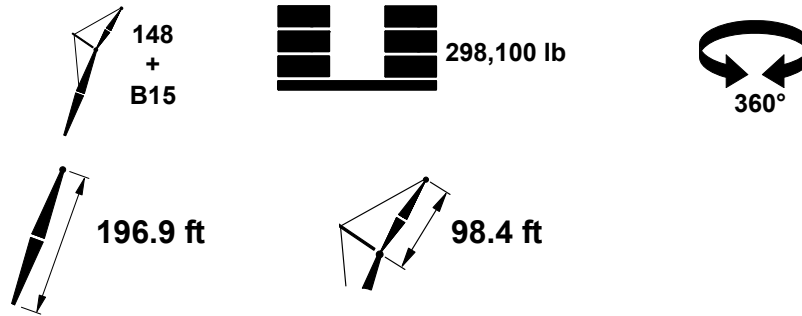
ASME B30.5



	10°			20°			
	ft	°	ft	lb	ft	lb	
50	84.6	279.5	65,500				50
55	83.6	278.6	64,200				55
60	82.5	277.6	62,900				60
65	81.4	276.6	61,700	84.7	273.7	54,300	65
70	80.4	275.4	60,500	83.6	272.5	53,200	70
75	79.3	274.2	59,300	82.5	271.2	52,100	75
80	78.2	272.8	58,100	81.4	269.9	50,800	80
85	77.2	271.3	56,900	80.3	268.4	49,000	85
90	76.1	269.8	55,700	79.2	266.8	47,200	90
95	75.0	268.1	54,400	78.1	265.1	45,600	95
100	73.9	266.3	53,200	77.0	263.3	44,100	100
105	72.8	264.4	52,000	75.9	261.4	42,700	105
110	71.6	262.4	50,800	74.8	259.4	41,300	110
115	70.5	260.3	49,800	73.6	257.2	40,100	115
120	69.4	258.1	48,700	72.5	255.0	38,900	120
125	68.2	255.7	47,700	71.3	252.6	37,800	125
130	67.1	253.2	46,700	70.1	250.1	36,700	130
135	65.9	250.6	45,700	69.0	247.5	35,700	135
140	64.7	247.9	44,800	67.8	244.7	34,700	140
145	63.5	245.0	43,900	66.5	241.8	33,800	145
150	62.3	242.0	42,600	65.3	238.7	33,000	150
155	61.1	238.9	41,300	64.1	235.5	32,100	155
160	59.8	235.5	40,100	62.8	232.1	31,400	160
165	58.6	232.1	38,900	61.5	228.6	30,600	165
170	57.3	228.4	36,800	60.2	224.9	29,900	170
175	56.0	224.6	34,800	58.9	221.0	29,200	175
180	54.7	220.6	32,900	57.5	217.0	28,600	180
185	53.3	216.4	31,200	56.2	212.7	28,000	185
190	51.9	212.0	29,500	54.7	208.2	27,400	190
195	50.5	207.4	28,000	53.3	203.5	26,800	195
200	49.1	202.5	26,500	51.8	198.5	26,300	200
205	47.6	197.4	25,000	50.3	193.3	25,700	205
210	46.0	192.0	23,700	48.7	187.8	24,800	210
215	44.5	186.3	22,400	47.1	181.9	23,500	215
220	42.8	180.3	21,200	45.5	175.7	22,100	220
225	41.2	173.9	20,000	43.7	169.2	20,900	225
230	39.4	167.0	18,800	41.9	162.1	19,700	230
235	37.6	159.8	17,700	40.0	154.6	18,500	235
240	35.6	151.9	16,700	38.0	146.5	17,400	240
245	33.6	143.5	15,700	35.9	137.7	16,300	245
250	31.4	134.3	14,700	33.6	128.1	15,300	250
255	29.1	124.2	13,800	31.2	117.4	14,200	255
260	26.5	112.8	12,800	28.4	105.2	13,200	260
265	23.6	99.8	11,900				265
270	20.2	84.4	11,000				270

MLC300 S-1

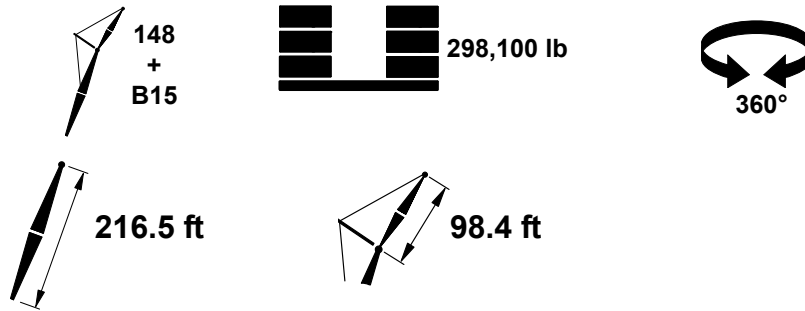
ASME B30.5



	10°			20°			
	ft	°	ft	lb	ft	lb	
50	85.0	299.4	65,200				50
55	84.0	298.6	64,000				55
60	83.0	297.7	62,900				60
65	82.0	296.7	61,800				65
70	81.0	295.6	60,700	84.0	292.6	53,300	70
75	80.0	294.4	59,700	83.0	291.4	52,300	75
80	79.0	293.1	58,600	82.0	290.1	51,300	80
85	78.0	291.8	57,500	81.0	288.8	50,000	85
90	77.0	290.3	56,400	80.0	287.3	48,300	90
95	76.0	288.8	55,300	79.0	285.7	46,700	95
100	75.0	287.1	54,100	77.9	284.1	45,300	100
105	74.0	285.4	53,000	76.9	282.3	43,900	105
110	72.9	283.5	51,900	75.9	280.4	42,500	110
115	71.9	281.6	50,900	74.8	278.4	41,300	115
120	70.8	279.5	49,900	73.7	276.4	40,200	120
125	69.8	277.4	48,900	72.7	274.2	39,000	125
130	68.7	275.1	47,900	71.6	271.9	38,000	130
135	67.6	272.7	47,100	70.5	269.4	37,000	135
140	66.6	270.2	46,100	69.4	266.9	36,000	140
145	65.5	267.6	45,300	68.3	264.2	35,100	145
150	64.4	264.8	44,200	67.2	261.5	34,300	150
155	63.2	261.9	41,700	66.0	258.5	33,400	155
160	62.1	258.9	39,300	64.9	255.5	32,700	160
165	61.0	255.8	37,100	63.7	252.3	31,900	165
170	59.8	252.5	35,000	62.6	249.0	31,200	170
175	58.6	249.1	33,100	61.4	245.5	30,500	175
180	57.4	245.5	31,200	60.2	241.8	29,900	180
185	56.2	241.7	29,500	58.9	238.0	29,200	185
190	55.0	237.8	27,800	57.7	234.0	28,600	190
195	53.7	233.7	26,200	56.4	229.9	27,800	195
200	52.5	229.4	24,700	55.1	225.5	26,200	200
205	51.2	224.9	23,300	53.8	220.9	24,700	205
210	49.8	220.2	22,000	52.4	216.1	23,300	210
215	48.5	215.3	20,700	51.0	211.1	21,900	215
220	47.1	210.1	19,500	49.6	205.8	20,600	220
225	45.7	204.7	18,300	48.2	200.3	19,400	225
230	44.2	199.0	17,100	46.6	194.4	18,200	230
235	42.7	192.9	16,100	45.1	188.3	17,000	235
240	41.1	186.6	15,000	43.5	181.7	15,900	240
245	39.5	179.8	14,000	41.8	174.8	14,900	245
250	37.8	172.7	13,100	40.1	167.4	13,800	250
255	36.0	165.0	12,100	38.2	159.5	12,800	255
260	34.1	156.8	11,200	36.3	150.9	11,900	260
265	32.2	147.9	10,400	34.2	141.7	10,900	265
270	30.1	138.3	9,500	32.0	131.6	10,000	270
275	27.8	127.6	8,700	29.6	120.3	9,100	275
280	25.3	115.7	7,900	26.9	107.5	8,200	280
285	22.5	102.1	7,100				285

MLC300 S-1

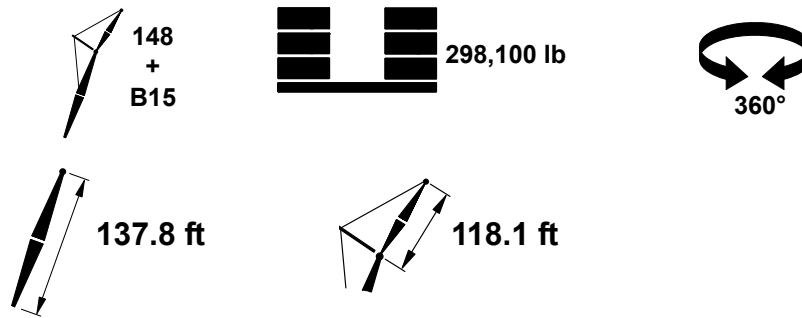
ASME B30.5



	10°			20°			
	ft	°	ft	lb	ft	lb	
55	84.4	318.5	63,700				55
60	83.5	317.6	62,800				60
65	82.5	316.7	61,700				65
70	81.6	315.7	60,700	84.4	312.6	53,400	70
75	80.7	314.6	59,700	83.5	311.5	52,400	75
80	79.7	313.4	58,800	82.5	310.3	51,500	80
85	78.8	312.1	57,900	81.6	309.0	50,700	85
90	77.9	310.8	56,800	80.6	307.7	49,200	90
95	76.9	309.3	55,900	79.7	306.2	47,700	95
100	76.0	307.8	54,900	78.7	304.6	46,300	100
105	75.0	306.2	53,800	77.8	303.0	44,900	105
110	74.0	304.5	52,800	76.8	301.3	43,700	110
115	73.1	302.7	51,800	75.8	299.4	42,400	115
120	72.1	300.7	50,800	74.8	297.5	41,300	120
125	71.1	298.7	49,900	73.8	295.5	40,200	125
130	70.1	296.6	49,000	72.8	293.3	39,200	130
135	69.2	294.4	48,100	71.8	291.1	38,200	135
140	68.2	292.1	47,300	70.8	288.8	37,200	140
145	67.1	289.7	45,200	69.8	286.3	36,400	145
150	66.1	287.1	42,500	68.8	283.7	35,500	150
155	65.1	284.5	39,900	67.7	281.1	34,700	155
160	64.1	281.7	37,600	66.7	278.3	33,900	160
165	63.0	278.8	35,300	65.6	275.3	33,200	165
170	61.9	275.8	33,300	64.5	272.3	32,400	170
175	60.9	272.7	31,300	63.5	269.1	31,800	175
180	59.8	269.4	29,400	62.4	265.8	31,100	180
185	58.7	266.0	27,700	61.2	262.4	29,600	185
190	57.6	262.5	26,000	60.1	258.8	27,800	190
195	56.4	258.8	24,500	59.0	255.0	26,200	195
200	55.3	254.9	23,000	57.8	251.1	24,600	200
205	54.1	250.9	21,600	56.6	247.0	23,100	205
210	52.9	246.7	20,200	55.4	242.7	21,700	210
215	51.7	242.4	18,900	54.2	238.3	20,300	215
220	50.5	237.8	17,700	52.9	233.7	19,000	220
225	49.3	233.0	16,500	51.7	228.8	17,800	225
230	48.0	228.0	15,400	50.3	223.7	16,600	230
235	46.7	222.8	14,300	49.0	218.4	15,500	235
240	45.3	217.4	13,300	47.6	212.8	14,400	240
245	43.9	211.7	12,300	46.2	207.0	13,300	245
250	42.5	205.6	11,300	44.8	200.8	12,300	250
255	41.0	199.3	10,400	43.3	194.3	11,300	255
260	39.5	192.6	9,500	41.7	187.4	10,400	260
265	38.0	185.5	8,700	40.1	180.2	9,400	265
270	36.3	178.0	7,800	38.4	172.4	8,600	270
275	34.6	170.0	7,000	36.6	164.1	7,700	275
280				34.7	155.2	6,800	280

MLC300 S-1

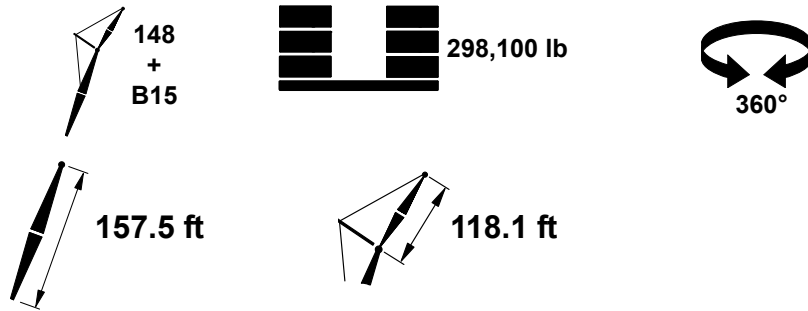
ASME B30.5



ft	10°			20°			ft
	°	ft	lb	°	ft	lb	
55	84.2	258.4	51,000				55
60	83.1	257.4	49,700				60
65	81.9	256.2	48,300				65
70	80.8	254.9	47,000	85.0	251.9	41,000	70
75	79.6	253.6	45,700	83.8	250.5	40,000	75
80	78.5	252.1	44,400	82.6	249.0	38,900	80
85	77.3	250.5	43,100	81.4	247.4	37,900	85
90	76.1	248.8	41,900	80.2	245.7	36,800	90
95	74.9	247.0	40,700	79.0	243.8	35,900	95
100	73.7	245.1	39,600	77.8	241.9	35,000	100
105	72.5	243.0	38,400	76.6	239.8	33,800	105
110	71.3	240.8	37,400	75.4	237.6	32,500	110
115	70.1	238.5	36,400	74.1	235.2	31,400	115
120	68.8	236.1	35,400	72.8	232.7	30,400	120
125	67.6	233.5	34,400	71.6	230.1	29,400	125
130	66.3	230.8	33,500	70.3	227.4	28,500	130
135	65.0	227.9	32,600	69.0	224.4	27,600	135
140	63.7	224.9	31,700	67.6	221.4	26,700	140
145	62.4	221.7	30,800	66.3	218.1	25,900	145
150	61.0	218.3	30,100	64.9	214.7	25,200	150
155	59.6	214.8	29,300	63.5	211.2	24,500	155
160	58.3	211.1	28,500	62.1	207.4	23,800	160
165	56.8	207.2	27,800	60.7	203.4	23,200	165
170	55.4	203.1	27,100	59.2	199.2	22,500	170
175	53.9	198.8	26,500	57.7	194.8	21,900	175
180	52.4	194.2	25,800	56.1	190.2	21,400	180
185	50.8	189.4	25,200	54.6	185.2	20,800	185
190	49.3	184.4	24,600	52.9	180.0	20,400	190
195	47.6	179.0	24,100	51.2	174.5	19,900	195
200	45.9	173.3	23,600	49.5	168.7	19,400	200
205	44.2	167.2	23,100	47.7	162.5	19,000	205
210	42.3	160.8	22,600	45.8	155.8	18,600	210
215	40.4	153.9	22,100	43.8	148.6	18,200	215
220	38.4	146.5	21,600	41.7	140.9	17,900	220
225	36.3	138.4	21,100	39.5	132.5	17,500	225
230	34.1	129.6	20,600	37.2	123.3	17,200	230
235	31.6	120.0	20,200	34.6	113.1	16,900	235
240	29.0	109.2	19,700	31.7	101.5	16,600	240
245	26.0	96.8	19,300	28.5	87.9	16,400	245
250	22.5	82.0	19,000				250
255	18.1	63.1	18,100				255

MLC300 S-1

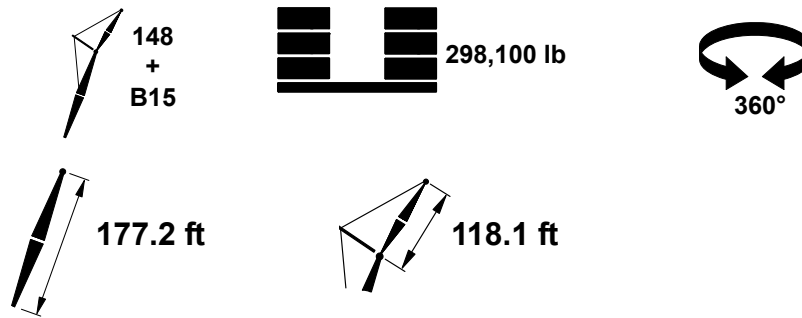
ASME B30.5



	10°			20°			
	ft	°	ft	lb	ft	lb	
55	84.7	278.4	51,200				55
60	83.6	277.4	50,000				60
65	82.5	276.3	48,700				65
70	81.5	275.2	47,500				70
75	80.4	273.9	46,300	84.3	270.6	40,200	75
80	79.3	272.5	45,100	83.2	269.3	39,300	80
85	78.2	271.1	43,900	82.1	267.8	38,300	85
90	77.1	269.5	42,800	81.0	266.2	37,400	90
95	76.0	267.8	41,700	79.9	264.5	36,500	95
100	74.9	266.1	40,600	78.8	262.7	35,600	100
105	73.8	264.2	39,600	77.6	260.8	34,700	105
110	72.7	262.2	38,500	76.5	258.8	33,600	110
115	71.6	260.0	37,500	75.4	256.6	32,600	115
120	70.5	257.8	36,600	74.2	254.3	31,500	120
125	69.3	255.5	35,600	73.0	252.0	30,500	125
130	68.1	253.0	34,800	71.9	249.4	29,600	130
135	67.0	250.4	33,900	70.7	246.8	28,700	135
140	65.8	247.6	33,000	69.5	244.0	27,900	140
145	64.6	244.8	32,200	68.3	241.1	27,100	145
150	63.4	241.7	31,500	67.0	238.0	26,300	150
155	62.1	238.6	30,700	65.8	234.8	25,600	155
160	60.9	235.3	30,000	64.5	231.4	25,000	160
165	59.6	231.8	29,200	63.2	227.9	24,300	165
170	58.3	228.1	28,500	61.9	224.2	23,600	170
175	57.0	224.3	27,900	60.6	220.3	23,100	175
180	55.7	220.3	27,300	59.2	216.2	22,500	180
185	54.4	216.1	26,600	57.8	211.9	22,000	185
190	53.0	211.7	26,000	56.4	207.4	21,500	190
195	51.6	207.0	25,500	55.0	202.7	21,000	195
200	50.1	202.2	25,000	53.5	197.7	20,500	200
205	48.6	197.0	24,400	52.0	192.4	20,100	205
210	47.1	191.6	23,900	50.4	186.9	19,700	210
215	45.5	185.9	23,500	48.8	181.0	19,200	215
220	43.9	179.9	23,000	47.1	174.8	18,900	220
225	42.2	173.5	22,500	45.4	168.2	18,500	225
230	40.4	166.6	21,900	43.5	161.1	18,200	230
235	38.6	159.3	20,800	41.6	153.5	17,800	235
240	36.7	151.5	19,700	39.6	145.4	17,500	240
245	34.6	143.0	18,700	37.5	136.5	17,200	245
250	32.4	133.8	17,700	35.2	126.8	17,000	250
255	30.1	123.6	16,800	32.7	115.9	16,700	255
260	27.5	112.2	15,900	29.9	103.6	16,300	260
265	24.6	99.1	14,900				265
270	21.2	83.5	14,000				270

MLC300 S-1

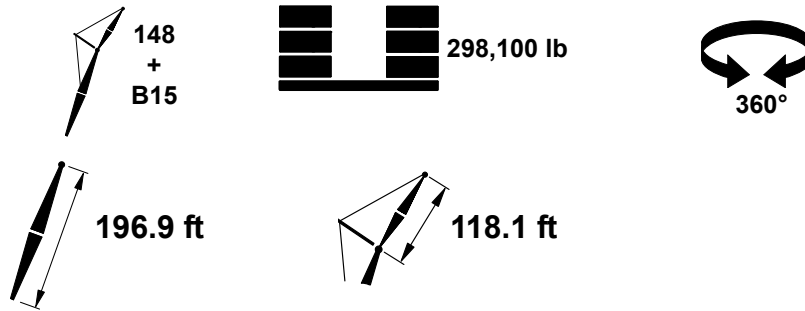
ASME B30.5



	10°			20°			
	ft	°	ft	lb	ft	lb	
60	84.0	297.4	50,100				60
65	83.0	296.4	49,000				65
70	82.0	295.3	47,900				70
75	81.0	294.1	46,800	84.7	290.7	40,400	75
80	80.0	292.9	45,700	83.7	289.4	39,500	80
85	79.0	291.5	44,600	82.6	288.1	38,700	85
90	78.0	290.1	43,500	81.6	286.6	37,800	90
95	77.0	288.5	42,400	80.6	285.0	36,900	95
100	76.0	286.9	41,400	79.6	283.4	36,100	100
105	75.0	285.1	40,500	78.5	281.6	35,300	105
110	73.9	283.3	39,500	77.5	279.7	34,500	110
115	72.9	281.3	38,500	76.4	277.7	33,500	115
120	71.8	279.2	37,600	75.4	275.6	32,500	120
125	70.8	277.1	36,800	74.3	273.4	31,500	125
130	69.7	274.8	35,900	73.2	271.1	30,600	130
135	68.6	272.4	35,100	72.1	268.7	29,700	135
140	67.6	269.9	34,200	71.0	266.2	28,900	140
145	66.5	267.3	33,500	69.9	263.5	28,100	145
150	65.4	264.5	32,700	68.8	260.7	27,400	150
155	64.2	261.6	31,900	67.6	257.8	26,700	155
160	63.1	258.6	31,200	66.5	254.7	26,000	160
165	62.0	255.5	30,500	65.3	251.5	25,300	165
170	60.8	252.2	29,900	64.1	248.2	24,700	170
175	59.6	248.7	29,200	62.9	244.7	24,200	175
180	58.4	245.1	28,600	61.7	241.0	23,600	180
185	57.2	241.4	27,900	60.5	237.2	23,000	185
190	56.0	237.4	27,400	59.2	233.2	22,500	190
195	54.7	233.3	26,800	58.0	229.0	22,000	195
200	53.4	229.0	26,300	56.7	224.6	21,600	200
205	52.1	224.5	25,700	55.3	220.0	21,100	205
210	50.8	219.8	25,100	54.0	215.2	20,600	210
215	49.4	214.9	23,800	52.6	210.2	20,300	215
220	48.1	209.7	22,600	51.1	204.9	19,900	220
225	46.6	204.3	21,400	49.7	199.3	19,500	225
230	45.1	198.6	20,200	48.2	193.4	19,100	230
235	43.6	192.5	19,100	46.6	187.2	18,700	235
240	42.1	186.1	18,100	45.0	180.6	18,400	240
245	40.4	179.4	17,100	43.3	173.6	18,000	245
250	38.7	172.2	16,100	41.5	166.2	17,000	250
255	36.9	164.5	15,200	39.7	158.2	16,000	255
260	35.1	156.3	14,300	37.7	149.6	15,000	260
265	33.1	147.4	13,400	35.6	140.2	14,100	265
270	31.0	137.7	12,500	33.4	130.0	13,100	270
275	28.7	127.0	11,700	31.0	118.6	12,200	275
280	26.2	115.0	10,900	28.2	105.6	11,300	280
285	23.3	101.3	10,100				285
290	20.0	84.8	9,300				290

MLC300 S-1

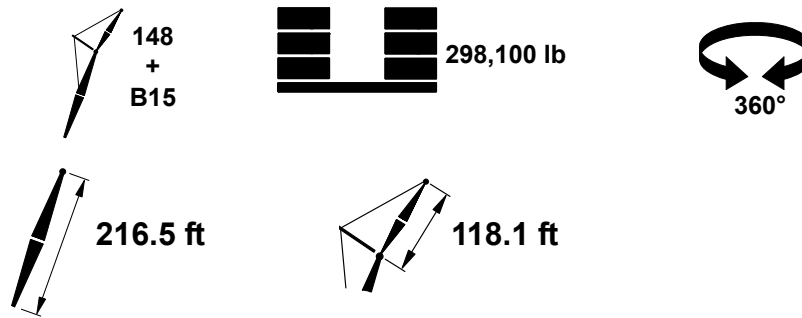
ASME B30.5



ft	10°			20°			ft
	ft	lb	ft	ft	lb	ft	
60	84.4	317.3	50,100				60
65	83.5	316.4	49,000				65
70	82.6	315.4	48,100				70
75	81.6	314.3	47,000				75
80	80.7	313.1	46,000	84.1	309.6	39,700	80
85	79.7	311.8	45,100	83.1	308.3	38,900	85
90	78.8	310.5	44,100	82.2	306.9	38,100	90
95	77.9	309.0	43,100	81.2	305.4	37,300	95
100	76.9	307.5	42,100	80.2	303.9	36,500	100
105	76.0	305.9	41,200	79.3	302.2	35,800	105
110	75.0	304.2	40,300	78.3	300.5	35,000	110
115	74.0	302.3	39,400	77.3	298.7	34,300	115
120	73.0	300.4	38,600	76.3	296.7	33,400	120
125	72.1	298.4	37,700	75.3	294.7	32,400	125
130	71.1	296.3	36,900	74.3	292.5	31,500	130
135	70.1	294.1	36,100	73.3	290.3	30,700	135
140	69.1	291.8	35,300	72.3	287.9	29,900	140
145	68.1	289.3	34,500	71.3	285.5	29,100	145
150	67.1	286.8	33,800	70.3	282.9	28,400	150
155	66.0	284.2	33,100	69.2	280.2	27,700	155
160	65.0	281.4	32,400	68.2	277.4	27,000	160
165	63.9	278.5	31,700	67.1	274.5	26,300	165
170	62.9	275.5	31,000	66.0	271.4	25,700	170
175	61.8	272.4	30,400	64.9	268.2	25,100	175
180	60.7	269.1	29,800	63.8	264.9	24,500	180
185	59.6	265.7	29,200	62.7	261.5	24,000	185
190	58.5	262.1	28,600	61.6	257.8	23,500	190
195	57.4	258.4	27,700	60.4	254.1	23,000	195
200	56.2	254.6	26,200	59.3	250.1	22,500	200
205	55.0	250.5	24,800	58.1	246.0	22,100	205
210	53.9	246.3	23,400	56.9	241.8	21,600	210
215	52.7	242.0	22,100	55.6	237.3	21,200	215
220	51.4	237.4	20,900	54.4	232.6	20,800	220
225	50.2	232.6	19,700	53.1	227.8	20,400	225
230	48.9	227.6	18,600	51.8	222.7	19,900	230
235	47.6	222.4	17,500	50.4	217.3	18,700	235
240	46.2	216.9	16,400	49.0	211.7	17,600	240
245	44.8	211.2	15,400	47.6	205.8	16,600	245
250	43.4	205.2	14,500	46.2	199.6	15,500	250
255	41.9	198.8	13,500	44.6	193.1	14,500	255
260	40.4	192.1	12,600	43.1	186.2	13,600	260
265	38.8	185.0	11,800	41.4	178.8	12,700	265
270	37.2	177.5	10,900	39.7	171.0	11,800	270
275	35.5	169.4	10,100	37.9	162.6	10,900	275
280	33.7	160.8	9,300	36.0	153.6	10,000	280
285	31.7	151.5	8,600	34.0	143.8	9,200	285
290	29.7	141.4	7,800	31.8	133.0	8,400	290

MLC300 S-1

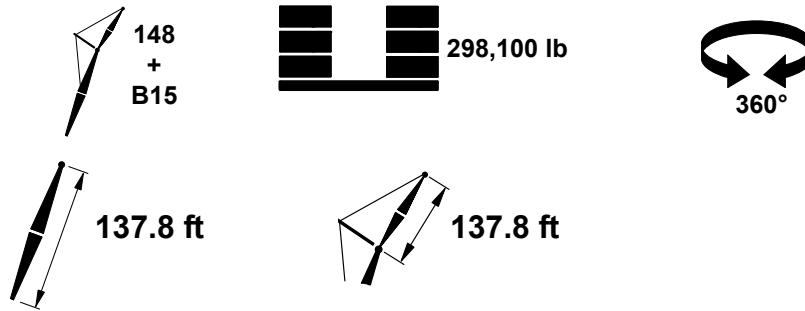
ASME B30.5



	10°			20°			
	ft	°	ft	lb	ft	lb	
60	84.7	337.2	49,900				60
65	83.9	336.4	49,000				65
70	83.0	335.4	48,100				70
75	82.1	334.4	47,200				75
80	81.2	333.3	46,300	84.4	329.6	39,800	80
85	80.4	332.1	45,400	83.5	328.4	39,100	85
90	79.5	330.8	44,500	82.6	327.1	38,300	90
95	78.6	329.5	43,600	81.8	325.8	37,600	95
100	77.7	328.0	42,700	80.9	324.3	36,900	100
105	76.8	326.5	41,800	79.9	322.8	36,200	105
110	75.9	324.9	41,000	79.0	321.1	35,500	110
115	75.0	323.2	40,100	78.1	319.4	34,800	115
120	74.1	321.4	39,300	77.2	317.6	34,200	120
125	73.2	319.5	38,600	76.3	315.7	33,300	125
130	72.3	317.6	37,700	75.3	313.7	32,400	130
135	71.3	315.5	37,000	74.4	311.6	31,600	135
140	70.4	313.4	36,200	73.5	309.4	30,700	140
145	69.5	311.1	35,500	72.5	307.2	30,000	145
150	68.5	308.8	34,800	71.6	304.8	29,300	150
155	67.6	306.3	34,100	70.6	302.3	28,600	155
160	66.6	303.7	33,400	69.6	299.7	27,900	160
165	65.6	301.1	32,700	68.6	297.0	27,200	165
170	64.7	298.3	32,100	67.6	294.2	26,700	170
175	63.7	295.4	31,500	66.6	291.2	26,000	175
180	62.7	292.4	30,800	65.6	288.2	25,500	180
185	61.7	289.3	29,200	64.6	285.0	25,000	185
190	60.6	286.0	27,600	63.6	281.7	24,500	190
195	59.6	282.6	26,000	62.5	278.3	24,000	195
200	58.6	279.1	24,500	61.4	274.7	23,500	200
205	57.5	275.5	23,100	60.4	271.0	23,000	205
210	56.4	271.7	21,700	59.3	267.1	22,600	210
215	55.3	267.7	20,400	58.2	263.1	22,100	215
220	54.2	263.6	19,200	57.0	258.9	20,800	220
225	53.1	259.3	18,000	55.9	254.6	19,600	225
230	52.0	254.9	16,800	54.7	250.0	18,400	230
235	50.8	250.2	15,800	53.5	245.3	17,200	235
240	49.6	245.4	14,700	52.3	240.4	16,100	240
245	48.4	240.4	13,700	51.1	235.2	15,000	245
250	47.1	235.1	12,800	49.8	229.8	14,000	250
255	45.9	229.6	11,800	48.5	224.2	13,000	255
260	44.6	223.9	10,900	47.2	218.3	12,100	260
265	43.2	217.8	10,100	45.8	212.1	11,200	265
270	41.8	211.5	9,300	44.4	205.6	10,300	270
275	40.4	204.9	8,500	42.9	198.7	9,400	275
280	38.9	197.8	7,700	41.4	191.5	8,600	280
285	37.4	190.4	6,900	39.8	183.8	7,700	285
290				38.1	175.6	6,900	290

MLC300 S-1

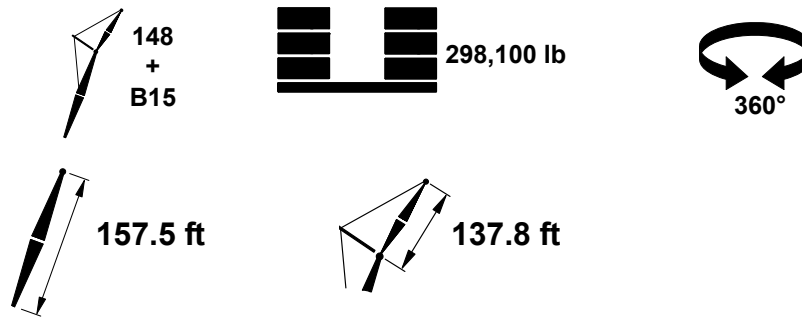
ASME B30.5



	10°			20°			
	ft	°	ft	lb	ft	lb	
55	84.3	278.8	42,900				55
60	83.3	277.9	41,700				60
65	82.2	276.8	40,500				65
70	81.2	275.6	39,200				70
75	80.1	274.4	38,000	84.7	271.5	32,800	75
80	79.0	273.0	36,700	83.6	270.2	31,700	80
85	77.9	271.6	35,600	82.5	268.7	30,700	85
90	76.8	270.0	34,400	81.4	267.1	29,800	90
95	75.8	268.3	33,300	80.3	265.4	28,900	95
100	74.7	266.6	32,300	79.2	263.6	28,000	100
105	73.5	264.7	31,200	78.1	261.7	27,100	105
110	72.4	262.7	30,200	76.9	259.7	26,300	110
115	71.3	260.6	29,200	75.8	257.6	25,500	115
120	70.2	258.3	28,300	74.7	255.3	24,700	120
125	69.0	256.0	27,400	73.5	252.9	24,000	125
130	67.9	253.5	26,500	72.3	250.4	23,300	130
135	66.7	250.9	25,700	71.1	247.8	22,600	135
140	65.5	248.2	24,900	69.9	245.0	21,900	140
145	64.3	245.3	24,100	68.7	242.1	21,300	145
150	63.1	242.3	23,400	67.5	239.1	20,700	150
155	61.9	239.1	22,600	66.3	235.9	20,200	155
160	60.6	235.8	21,900	65.0	232.5	19,600	160
165	59.4	232.4	21,300	63.7	229.0	19,000	165
170	58.1	228.7	20,700	62.4	225.3	18,500	170
175	56.8	224.9	20,000	61.1	221.4	18,000	175
180	55.5	220.9	19,400	59.7	217.3	17,500	180
185	54.1	216.7	18,800	58.4	213.1	17,100	185
190	52.7	212.3	18,400	57.0	208.6	16,600	190
195	51.3	207.7	17,800	55.5	203.9	16,200	195
200	49.9	202.8	17,300	54.0	198.9	15,800	200
205	48.4	197.7	16,800	52.5	193.7	15,400	205
210	46.9	192.3	16,300	51.0	188.2	15,000	210
215	45.3	186.6	15,900	49.4	182.4	14,700	215
220	43.7	180.6	15,500	47.7	176.2	14,300	220
225	42.0	174.2	15,100	46.0	169.6	14,000	225
230	40.2	167.4	14,700	44.2	162.7	13,700	230
235	38.4	160.2	14,300	42.3	155.2	13,400	235
240	36.5	152.4	13,900	40.3	147.1	13,100	240
245	34.5	144.0	13,600	38.2	138.3	12,900	245
250	32.3	134.8	13,200	35.9	128.7	12,600	250
255	30.0	124.7	12,900	33.4	118.1	12,400	255
260	27.4	113.4	12,700	30.7	106.0	12,300	260
265	24.5	100.5	12,400	27.6	92.0	12,100	265
270	21.2	85.2	12,100				270
275	17.0	65.6	12,000				275

MLC300 S-1

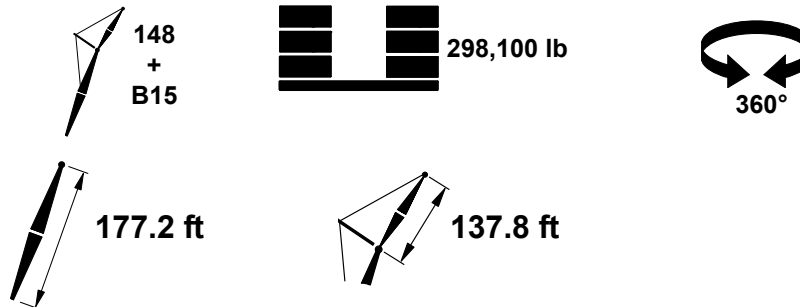
ASME B30.5



	10°			20°			
	ft	°	ft	lb	ft	lb	
55	84.7	298.8	43,100				55
60	83.7	297.9	41,900				60
65	82.8	296.9	40,800				65
70	81.8	295.8	39,600				70
75	80.8	294.6	38,500				75
80	79.8	293.4	37,400	84.0	290.3	32,000	80
85	78.8	292.0	36,300	83.0	289.0	31,100	85
90	77.8	290.6	35,200	82.0	287.5	30,200	90
95	76.7	289.0	34,200	81.0	285.9	29,300	95
100	75.7	287.4	33,100	80.0	284.3	28,500	100
105	74.7	285.6	32,100	78.9	282.5	27,700	105
110	73.7	283.8	31,200	77.9	280.6	26,900	110
115	72.6	281.8	30,200	76.8	278.6	26,100	115
120	71.6	279.8	29,300	75.8	276.6	25,400	120
125	70.5	277.6	28,500	74.7	274.4	24,700	125
130	69.5	275.3	27,600	73.6	272.1	24,000	130
135	68.4	272.9	26,800	72.5	269.7	23,400	135
140	67.3	270.4	26,000	71.4	267.1	22,800	140
145	66.2	267.8	25,300	70.3	264.5	22,100	145
150	65.1	265.1	24,500	69.2	261.7	21,600	150
155	64.0	262.2	23,800	68.1	258.8	20,900	155
160	62.9	259.2	23,100	66.9	255.7	20,400	160
165	61.7	256.0	22,500	65.8	252.5	19,900	165
170	60.6	252.7	21,900	64.6	249.2	19,300	170
175	59.4	249.3	21,200	63.4	245.7	18,900	175
180	58.2	245.7	20,700	62.2	242.1	18,400	180
185	57.0	242.0	20,200	61.0	238.3	18,000	185
190	55.8	238.1	19,600	59.7	234.3	17,600	190
195	54.5	234.0	19,000	58.4	230.1	17,100	195
200	53.2	229.7	18,500	57.1	225.8	16,600	200
205	51.9	225.2	18,000	55.8	221.2	16,300	205
210	50.6	220.5	17,600	54.5	216.4	15,900	210
215	49.2	215.6	17,100	53.1	211.4	15,500	215
220	47.8	210.4	16,600	51.7	206.1	15,200	220
225	46.4	205.0	16,200	50.2	200.6	14,800	225
230	44.9	199.3	15,800	48.7	194.7	14,500	230
235	43.4	193.3	15,400	47.1	188.6	14,200	235
240	41.9	186.9	15,000	45.5	182.0	13,900	240
245	40.2	180.2	14,700	43.9	175.1	13,600	245
250	38.6	173.0	14,300	42.1	167.7	13,400	250
255	36.8	165.4	13,900	40.3	159.8	13,100	255
260	34.9	157.2	13,700	38.4	151.3	12,900	260
265	33.0	148.4	13,300	36.3	142.1	12,700	265
270	30.9	138.8	13,000	34.1	132.0	12,500	270
275	28.6	128.2	12,800	31.7	120.8	12,400	275
280	26.1	116.3	12,500	29.0	108.1	12,200	280
285	23.3	102.8	12,300	26.0	93.3	12,100	285
290	20.0	86.6	11,800				290

MLC300 S-1

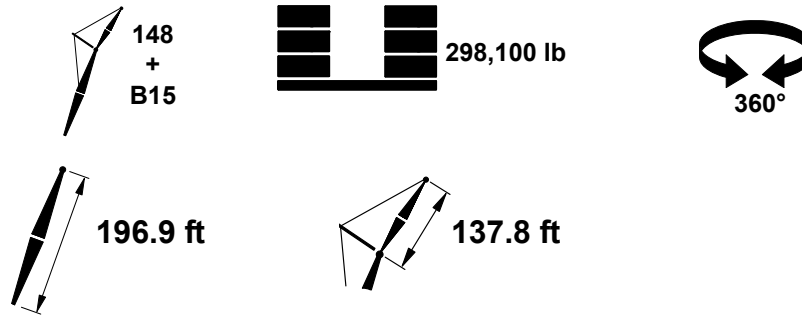
ASME B30.5



	10°			20°			
	ft	°	ft	lb	ft	lb	
60	84.1	317.8	42,100				60
65	83.2	316.9	41,000				65
70	82.3	315.9	40,000				70
75	81.4	314.8	38,900				75
80	80.4	313.6	37,900	84.4	310.4	32,300	80
85	79.5	312.3	36,900	83.5	309.1	31,400	85
90	78.5	311.0	35,900	82.5	307.8	30,500	90
95	77.6	309.5	34,900	81.6	306.3	29,800	95
100	76.7	308.0	33,900	80.6	304.8	28,900	100
105	75.7	306.4	33,000	79.7	303.1	28,200	105
110	74.7	304.7	32,100	78.7	301.4	27,500	110
115	73.8	302.9	31,100	77.7	299.5	26,700	115
120	72.8	301.0	30,300	76.7	297.6	26,000	120
125	71.8	298.9	29,500	75.7	295.6	25,400	125
130	70.8	296.8	28,700	74.7	293.5	24,700	130
135	69.8	294.6	27,800	73.7	291.2	24,100	135
140	68.8	292.3	27,100	72.7	288.9	23,500	140
145	67.8	289.9	26,300	71.7	286.4	22,900	145
150	66.8	287.4	25,600	70.7	283.9	22,300	150
155	65.8	284.7	24,900	69.6	281.2	21,800	155
160	64.8	282.0	24,300	68.6	278.4	21,200	160
165	63.7	279.1	23,600	67.5	275.5	20,700	165
170	62.6	276.1	23,000	66.4	272.4	20,200	170
175	61.6	272.9	22,400	65.4	269.2	19,700	175
180	60.5	269.7	21,800	64.3	265.9	19,200	180
185	59.4	266.3	21,300	63.1	262.5	18,800	185
190	58.3	262.7	20,700	62.0	258.9	18,300	190
195	57.1	259.0	20,200	60.9	255.1	17,900	195
200	56.0	255.2	19,700	59.7	251.2	17,500	200
205	54.8	251.2	19,100	58.5	247.1	17,100	205
210	53.7	247.0	18,700	57.3	242.9	16,700	210
215	52.4	242.6	18,200	56.1	238.4	16,400	215
220	51.2	238.1	17,800	54.8	233.8	16,000	220
225	50.0	233.3	17,400	53.6	228.9	15,700	225
230	48.7	228.3	16,900	52.2	223.9	15,400	230
235	47.4	223.1	16,500	50.9	218.6	15,100	235
240	46.0	217.7	16,100	49.5	213.0	14,700	240
245	44.7	212.0	15,700	48.1	207.1	14,400	245
250	43.2	205.9	15,300	46.7	201.0	14,200	250
255	41.8	199.6	15,000	45.2	194.5	13,800	255
260	40.3	192.9	14,700	43.6	187.6	13,600	260
265	38.7	185.9	14,100	42.0	180.3	13,400	265
270	37.0	178.4	13,300	40.3	172.6	13,200	270
275	35.3	170.4	12,500	38.5	164.3	12,900	275
280	33.5	161.8	11,700	36.6	155.4	12,500	280
285	31.6	152.6	11,000	34.6	145.7	11,700	285
290	29.6	142.5	10,200	32.5	135.1	10,900	290
300	24.9	119.0	8,800	27.5	110.0	9,300	300
310	19.0	87.9	7,500				310

MLC300 S-1

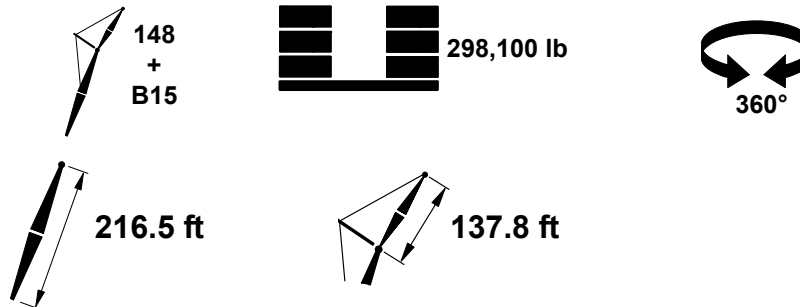
ASME B30.5



ft	10°			20°			ft
	°	ft	lb	°	ft	lb	
60	84.5	337.7	42,100				60
65	83.6	336.9	41,100				65
70	82.7	335.9	40,200				70
75	81.9	334.9	39,200				75
80	81.0	333.8	38,300	84.8	330.5	32,400	80
85	80.1	332.6	37,300	83.9	329.3	31,600	85
90	79.2	331.3	36,400	83.0	328.0	30,800	90
95	78.4	330.0	35,500	82.1	326.6	30,100	95
100	77.5	328.5	34,600	81.2	325.2	29,300	100
105	76.6	327.0	33,700	80.3	323.6	28,600	105
110	75.7	325.4	32,800	79.4	322.0	27,900	110
115	74.8	323.7	31,900	78.5	320.3	27,200	115
120	73.9	321.9	31,100	77.6	318.5	26,600	120
125	72.9	320.1	30,300	76.6	316.6	25,900	125
130	72.0	318.1	29,500	75.7	314.6	25,300	130
135	71.1	316.1	28,700	74.8	312.5	24,700	135
140	70.2	313.9	28,000	73.8	310.3	24,100	140
145	69.2	311.6	27,300	72.9	308.1	23,500	145
150	68.3	309.3	26,600	71.9	305.7	23,000	150
155	67.3	306.9	25,900	71.0	303.2	22,400	155
160	66.4	304.3	25,300	70.0	300.6	21,900	160
165	65.4	301.6	24,700	69.0	297.9	21,400	165
170	64.4	298.9	24,000	68.0	295.1	20,900	170
175	63.4	296.0	23,400	67.0	292.2	20,500	175
180	62.5	293.0	22,800	66.0	289.2	20,000	180
185	61.4	289.9	22,300	65.0	286.0	19,600	185
190	60.4	286.6	21,700	64.0	282.7	19,100	190
195	59.4	283.2	21,300	62.9	279.3	18,700	195
200	58.4	279.7	20,800	61.8	275.7	18,300	200
205	57.3	276.1	20,200	60.8	272.0	17,900	205
210	56.2	272.3	19,700	59.7	268.2	17,500	210
215	55.1	268.3	19,300	58.6	264.2	17,200	215
220	54.0	264.2	18,800	57.5	260.0	16,800	220
225	52.9	260.0	18,400	56.3	255.6	16,400	225
230	51.8	255.5	17,900	55.1	251.1	16,100	230
235	50.6	250.9	17,500	54.0	246.4	15,800	235
240	49.4	246.1	17,000	52.8	241.5	15,500	240
245	48.2	241.1	16,000	51.5	236.4	15,200	245
250	47.0	235.8	15,100	50.3	231.0	14,900	250
255	45.7	230.4	14,100	49.0	225.4	14,600	255
260	44.4	224.6	13,300	47.6	219.6	14,300	260
265	43.1	218.6	12,400	46.3	213.4	13,600	265
270	41.7	212.3	11,600	44.8	207.0	12,700	270
275	40.3	205.7	10,800	43.4	200.2	11,900	275
280	38.8	198.7	10,100	41.9	193.0	11,100	280
285	37.3	191.3	9,300	40.3	185.3	10,300	285
290	35.7	183.5	8,600	38.7	177.2	9,500	290
300	32.3	166.2	7,200	35.1	159.2	8,000	300
310				31.1	138.0	6,500	310

MLC300 S-1

ASME B30.5



	10°			20°			
	ft	°	ft	lb	ft	lb	
60	84.8	357.6	41,700				60
65	84.0	356.8	41,100				65
70	83.2	355.9	40,300				70
75	82.3	355.0	39,400				75
80	81.5	353.9	38,500				80
85	80.7	352.8	37,600	84.2	349.3	31,800	85
90	79.9	351.6	36,800	83.4	348.1	31,000	90
95	79.0	350.3	35,900	82.6	346.8	30,400	95
100	78.2	349.0	35,000	81.7	345.5	29,700	100
105	77.3	347.5	34,200	80.9	344.0	28,900	105
110	76.5	346.0	33,400	80.0	342.5	28,300	110
115	75.7	344.4	32,600	79.2	340.9	27,600	115
120	74.8	342.8	31,800	78.3	339.2	27,000	120
125	73.9	341.0	31,000	77.4	337.4	26,400	125
130	73.1	339.2	30,300	76.6	335.6	25,800	130
135	72.2	337.3	29,600	75.7	333.6	25,200	135
140	71.3	335.2	28,900	74.8	331.6	24,700	140
145	70.5	333.1	28,100	73.9	329.5	24,100	145
150	69.6	330.9	27,500	73.0	327.2	23,600	150
155	68.7	328.7	26,900	72.1	324.9	23,100	155
160	67.8	326.3	26,200	71.2	322.5	22,600	160
165	66.9	323.8	25,600	70.3	320.0	22,100	165
170	66.0	321.2	25,000	69.4	317.4	21,600	170
175	65.1	318.6	24,400	68.5	314.7	21,100	175
180	64.2	315.8	23,800	67.5	311.9	20,700	180
185	63.2	312.9	23,300	66.6	309.0	20,200	185
190	62.3	309.9	22,700	65.6	305.9	19,800	190
195	61.3	306.8	22,200	64.7	302.8	19,400	195
200	60.4	303.5	21,700	63.7	299.5	19,000	200
205	59.4	300.2	21,200	62.7	296.1	18,600	205
210	58.4	296.7	20,700	61.7	292.6	18,200	210
215	57.4	293.1	20,300	60.7	288.9	17,900	215
220	56.4	289.4	19,600	59.7	285.1	17,500	220
225	55.4	285.5	18,500	58.6	281.2	17,200	225
230	54.4	281.5	17,300	57.6	277.1	16,800	230
235	53.3	277.3	16,300	56.5	272.8	16,500	235
240	52.2	272.9	15,200	55.4	268.4	16,200	240
245	51.1	268.4	14,300	54.3	263.8	15,900	245
250	50.0	263.8	13,300	53.2	259.1	14,900	250
255	48.9	258.9	12,400	52.0	254.1	13,900	255
260	47.8	253.8	11,500	50.9	248.9	13,000	260
265	46.6	248.5	10,700	49.7	243.5	12,100	265
270	45.4	243.0	9,900	48.4	237.9	11,200	270
275	44.2	237.3	9,100	47.2	232.1	10,400	275
280	42.9	231.3	8,300	45.9	225.9	9,500	280
285	41.6	225.0	7,600	44.6	219.5	8,700	285
290	40.3	218.4	6,900	43.2	212.7	8,000	290
300				40.3	198.1	6,500	300