

Liftcrane Jib Capacities

Jib No. 148 on
 Boom No. B15:505-500
 386,200 lb VPC (Variable Position Counterweight)
 360 Degree Rating

MLC300 SERIES 2



LIFTING CAPACITIES: Chart supplements Boom Capacity chart No. 9679-A. Lifting capacities for various boom lengths, jib lengths, and jib operating radii are for freely suspended loads and may be based on percent of static tipping or strength of structural components. Capacities must be reduced by applicable deducts.

Weight of all load blocks, hooks, weight ball, slings, hoist lines, etc., beneath boom and jib point sheaves is considered part of the jib load. Boom and jib are not to be lowered beyond radii where combined weights are greater than rated capacity. Where no capacity is shown, operation is not intended or approved.

OPERATING CONDITIONS: Machine to operate on a firm, level, and uniformly supporting surface. Refer to Boom Rigging No. 80109323, Jib Rigging No. 81023385, Wire Rope Specifications chart No. 9689-A, Counterweight Arrangements chart No. 9345-A, and Wind Conditions chart No. 9688-A. Crane operator judgment must be used to allow for dynamic load effects of swinging, hoisting or lowering, travel, wind conditions, as well as adverse operating conditions and physical machine depreciation. Refer to the Operator Manual for operating guidelines.

MACHINE TRAVEL: Machine to travel on a firm, level, and uniformly supporting surface. Boom must be within boom angle range shown in capacity chart. Refer to Maximum Allowable Travel Specifications chart No. 9687-A.



OPERATING RADIUS: Operating radius is horizontal distance from axis of rotation to center of vertical hoist line or load block.



BOOM ANGLE: Boom angle in degrees ($^{\circ}$) is angle between horizontal and centerline of boom butt and inserts, and is an indication of operating radius. In all cases, operating radius shall govern capacity.



JIB POINT ELEVATION: Jib point elevation is vertical distance from ground level to centerline of jib point shaft.

MACHINE EQUIPMENT: Machine equipped with 31 ft 10 in. crawlers, 48 in. or 60 in. treads, 30 ft live mast, 24 part boom hoist reeving, boom support straps, and 386,200 lb VPC.

| Luffing Jib Backstay Deduct | |
|-----------------------------|-------------|
| Boom Length (ft) | Deduct (lb) |
| 137.8 | 4,100 |
| 157.5 | 4,600 |
| 177.2 | 5,200 |
| 196.9 | 5,800 |
| 216.5 | 6,400 |
| 236.2 | 6,900 |
| 255.9 | 7,500 |

Deduct the appropriate value from capacities when luffing jib backstays are stored on boom.

Refer to Table 1 (with luffing jib backstays stored) and Table 2 (without luffing jib backstays stored) for raising ability with the maximum weight of all load blocks, hooks, weight ball, slings, and hoist lines beneath boom and jib point sheaves. For block weights shown with #, load blocks, hooks, weight ball, and slings must remain on ground until combined weights are within rated capacity of chart. Raising is not permitted in shaded areas of table.

Combined weight beneath boom and jib point sheaves must not exceed block weight shown. Total weight beneath jib point must not exceed 6,200 lb.

Table 1a: With Luffing Jib Backstays

| Over End or Side of Crawlers | | | | | | |
|------------------------------|------------------------------|---------|---------|---------|----------|----------|
| Boom Length (ft) | Jib No. 148 | | | | | |
| | 39.4 ft | 59.1 ft | 78.7 ft | 98.4 ft | 118.1 ft | 137.8 ft |
| Block Weight (lb) | | | | | | |
| 137.8 | 22,900 | 22,900 | 22,900 | 22,900 | 22,900 | 22,900 |
| 157.5 | 22,900 | 22,900 | 22,900 | 22,900 | 22,900 | 22,900 |
| 177.2 | 22,900 | 22,900 | 22,900 | 22,900 | 22,900 | 15,800 |
| 196.9 | 22,900 | 15,800 | 15,800 | 15,800 | 8,300 | 8,300 |
| 216.5 | 8,300 | 8,300 | 8,300 | # | # | # |
| 236.2 | # | # | # | # | # | # |
| 255.9 | Raising Not Permitted | | | | | |

Table 1b: With Luffing Jib Backstays

| Over End of Blocked Crawlers | | | | | | |
|---|------------------------------|---------|---------|---------|----------|----------|
| Boom Length (ft) | Jib No. 148 | | | | | |
| | 39.4 ft | 59.1 ft | 78.7 ft | 98.4 ft | 118.1 ft | 137.8 ft |
| Block Weight (lb) | | | | | | |
| 137.8 | 22,900 | 22,900 | 22,900 | 22,900 | 22,900 | 22,900 |
| 157.5 | 22,900 | 22,900 | 22,900 | 22,900 | 22,900 | 22,900 |
| 177.2 | 22,900 | 22,900 | 22,900 | 22,900 | 22,900 | 15,800 |
| 196.9 | 22,900 | 15,800 | 15,800 | 15,800 | 8,300 | 8,300 |
| 216.5 | 8,300 | 8,300 | 8,300 | # | # | # |
| 236.2 | # | # | # | # | # | # |
| 255.9 | Raising Not Permitted | | | | | |
| Warning: Crane must remain in-line with crawlers when raising over end of blocked crawlers until operating radius is within 360 degree chart. <i>Crane tipping or structural damage can occur.</i> | | | | | | |

Table 2a: Without Luffing Jib Backstays

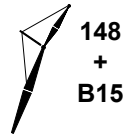
| Over End or Side of Crawlers | | | | | | |
|------------------------------|-------------------|---------|------------------------------|---------|----------|----------|
| Boom Length (ft) | Jib No. 148 | | | | | |
| | 39.4 ft | 59.1 ft | 78.7 ft | 98.4 ft | 118.1 ft | 137.8 ft |
| | Block Weight (lb) | | | | | |
| 137.8 | 22,900 | 22,900 | 22,900 | 22,900 | 22,900 | 22,900 |
| 157.5 | 22,900 | 22,900 | 22,900 | 22,900 | 22,900 | 22,900 |
| 177.2 | 22,900 | 22,900 | 22,900 | 22,900 | 22,900 | 22,900 |
| 196.9 | 22,900 | 22,900 | 15,800 | 15,800 | 15,800 | 8,300 |
| 216.5 | 15,800 | 8,300 | 8,300 | 8,300 | # | # |
| 236.2 | 8,300 | # | # | # | # | # |
| 255.9 | # | # | Raising Not Permitted | | | |

Table 2b: Without Luffing Jib Backstays

| Over End of Blocked Crawlers | | | | | | |
|------------------------------|-------------------|---------|---------|---------|----------|----------|
| Boom Length (ft) | Jib No. 148 | | | | | |
| | 39.4 ft | 59.1 ft | 78.7 ft | 98.4 ft | 118.1 ft | 137.8 ft |
| | Block Weight (lb) | | | | | |
| 137.8 | 22,900 | 22,900 | 22,900 | 22,900 | 22,900 | 22,900 |
| 157.5 | 22,900 | 22,900 | 22,900 | 22,900 | 22,900 | 22,900 |
| 177.2 | 22,900 | 22,900 | 22,900 | 22,900 | 22,900 | 22,900 |
| 196.9 | 22,900 | 22,900 | 15,800 | 15,800 | 15,800 | 8,300 |
| 216.5 | 15,800 | 8,300 | 8,300 | 8,300 | # | # |
| 236.2 | 8,300 | # | # | # | # | # |
| 255.9 | # | # | # | # | # | # |

Warning: Crane must remain in-line with crawlers when raising over end of blocked crawlers until operating radius is within 360 degree chart. Crane tipping or structural damage can occur.

Explanation of Symbols



Jib No. 148
+
Boom No. B15:505-500



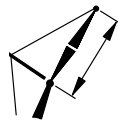
VPC (Variable Position Counterweight)



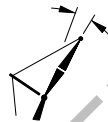
360 Degree Rating



Boom Length



Jib Length



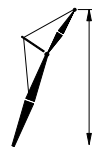
Jib Offset Angle



Operating Radius
(see page 1)



Boom Angle
(see page 1)



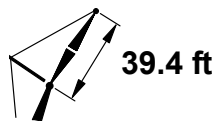
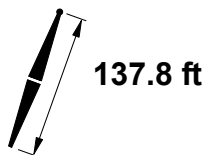
Jib Point Elevation
(see page 1)



Lifting Capacities
(see page 1)

MLC300 S-2

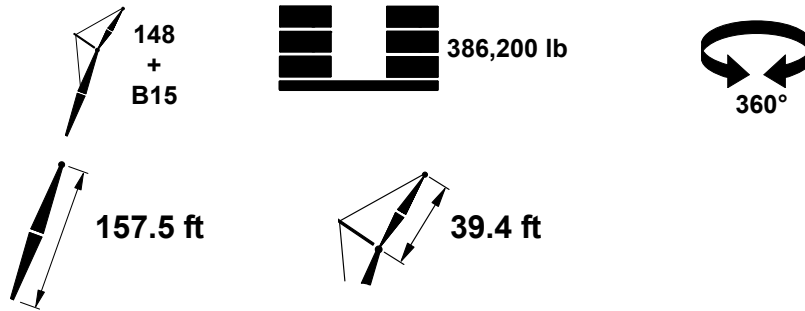
ASME B30.5



| ft | 10° | | | 20° | | | ft |
|-----|------|-------|---------|------|-------|---------|-----|
| | o | ft | lb | o | ft | lb | |
| 30 | 84.9 | 183.4 | 143,300 | | | | 30 |
| 32 | 84.2 | 183.1 | 143,300 | | | | 32 |
| 34 | 83.6 | 182.8 | 143,300 | | | | 34 |
| 36 | 82.9 | 182.4 | 143,300 | 84.9 | 180.9 | 143,300 | 36 |
| 38 | 82.3 | 182.1 | 143,300 | 84.3 | 180.6 | 143,300 | 38 |
| 40 | 81.6 | 181.7 | 143,300 | 83.6 | 180.2 | 142,100 | 40 |
| 45 | 80.0 | 180.6 | 143,300 | 81.9 | 179.1 | 134,600 | 45 |
| 50 | 78.3 | 179.4 | 143,300 | 80.3 | 177.9 | 127,900 | 50 |
| 55 | 76.6 | 178.0 | 143,300 | 78.6 | 176.5 | 121,900 | 55 |
| 60 | 75.0 | 176.5 | 143,300 | 76.9 | 174.9 | 116,400 | 60 |
| 65 | 73.3 | 174.7 | 143,300 | 75.2 | 173.2 | 111,500 | 65 |
| 70 | 71.5 | 172.9 | 139,500 | 73.4 | 171.3 | 106,900 | 70 |
| 75 | 69.8 | 170.8 | 132,500 | 71.7 | 169.2 | 102,800 | 75 |
| 80 | 68.0 | 168.6 | 122,400 | 69.9 | 167.0 | 99,000 | 80 |
| 85 | 66.3 | 166.2 | 113,600 | 68.1 | 164.5 | 95,500 | 85 |
| 90 | 64.4 | 163.6 | 106,000 | 66.2 | 161.9 | 92,300 | 90 |
| 95 | 62.6 | 160.7 | 99,200 | 64.4 | 159.0 | 89,300 | 95 |
| 100 | 60.7 | 157.7 | 93,200 | 62.5 | 155.9 | 86,600 | 100 |
| 105 | 58.8 | 154.4 | 87,800 | 60.5 | 152.6 | 84,000 | 105 |
| 110 | 56.8 | 150.9 | 82,900 | 58.5 | 149.1 | 81,600 | 110 |
| 115 | 54.8 | 147.1 | 78,500 | 56.5 | 145.2 | 78,800 | 115 |
| 120 | 52.7 | 143.0 | 74,500 | 54.4 | 141.1 | 74,800 | 120 |
| 125 | 50.6 | 138.6 | 70,800 | 52.2 | 136.6 | 71,100 | 125 |
| 130 | 48.4 | 133.9 | 67,500 | 49.9 | 131.8 | 67,700 | 130 |
| 135 | 46.1 | 128.8 | 64,400 | 47.6 | 126.6 | 64,600 | 135 |
| 140 | 43.6 | 123.2 | 61,500 | 45.1 | 120.9 | 61,700 | 140 |
| 145 | 41.1 | 117.1 | 58,900 | 42.6 | 114.7 | 59,000 | 145 |
| 150 | 38.4 | 110.4 | 56,400 | 39.8 | 107.8 | 56,600 | 150 |
| 155 | 35.5 | 103.0 | 54,100 | 36.8 | 100.2 | 54,200 | 155 |
| 160 | 32.4 | 94.7 | 52,000 | 33.6 | 91.6 | 52,100 | 160 |
| 165 | 29.0 | 85.2 | 50,000 | 30.0 | 81.7 | 50,100 | 165 |
| 170 | 25.0 | 74.0 | 48,100 | | | | 170 |
| 175 | 20.2 | 60.0 | 46,200 | | | | 175 |

MLC300 S-2

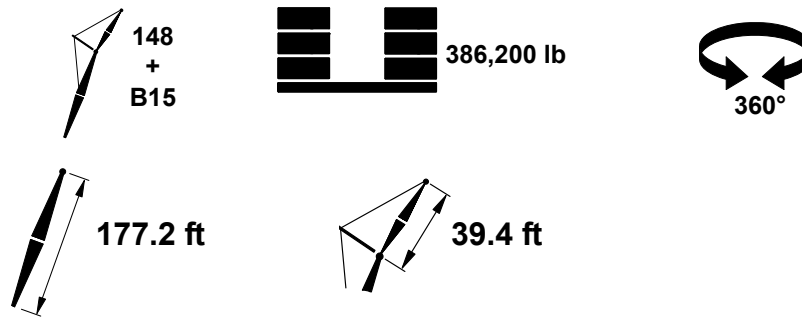
ASME B30.5



| | 10° | | | 20° | | | |
|-----|------|-------|---------|------|-------|---------|-----|
| | ft | ° | ft | lb | ft | lb | |
| 32 | 84.8 | 203.0 | 143,300 | | | | 32 |
| 34 | 84.2 | 202.7 | 143,300 | | | | 34 |
| 36 | 83.6 | 202.4 | 143,300 | | | | 36 |
| 38 | 83.1 | 202.1 | 143,300 | 84.8 | 200.5 | 143,100 | 38 |
| 40 | 82.5 | 201.7 | 143,300 | 84.2 | 200.2 | 142,900 | 40 |
| 45 | 81.0 | 200.7 | 143,300 | 82.8 | 199.2 | 137,900 | 45 |
| 50 | 79.5 | 199.6 | 143,300 | 81.3 | 198.1 | 131,500 | 50 |
| 55 | 78.0 | 198.4 | 143,300 | 79.8 | 196.8 | 125,800 | 55 |
| 60 | 76.5 | 197.0 | 143,300 | 78.2 | 195.4 | 120,500 | 60 |
| 65 | 75.0 | 195.5 | 143,300 | 76.7 | 193.9 | 115,800 | 65 |
| 70 | 73.5 | 193.8 | 143,300 | 75.2 | 192.2 | 111,300 | 70 |
| 75 | 71.9 | 192.0 | 132,900 | 73.6 | 190.4 | 107,300 | 75 |
| 80 | 70.4 | 190.0 | 122,800 | 72.0 | 188.4 | 103,500 | 80 |
| 85 | 68.8 | 187.9 | 114,100 | 70.5 | 186.2 | 100,100 | 85 |
| 90 | 67.2 | 185.6 | 106,400 | 68.8 | 183.9 | 96,900 | 90 |
| 95 | 65.6 | 183.2 | 99,600 | 67.2 | 181.4 | 93,900 | 95 |
| 100 | 63.9 | 180.5 | 93,600 | 65.6 | 178.8 | 91,200 | 100 |
| 105 | 62.3 | 177.7 | 88,200 | 63.9 | 175.9 | 88,500 | 105 |
| 110 | 60.6 | 174.6 | 83,300 | 62.2 | 172.8 | 83,700 | 110 |
| 115 | 58.9 | 171.4 | 78,900 | 60.4 | 169.6 | 79,200 | 115 |
| 120 | 57.1 | 167.9 | 74,900 | 58.6 | 166.1 | 75,200 | 120 |
| 125 | 55.3 | 164.2 | 71,200 | 56.8 | 162.3 | 71,500 | 125 |
| 130 | 53.4 | 160.3 | 67,900 | 54.9 | 158.3 | 68,100 | 130 |
| 135 | 51.5 | 156.1 | 64,800 | 53.0 | 154.0 | 65,000 | 135 |
| 140 | 49.6 | 151.6 | 61,900 | 51.0 | 149.5 | 62,100 | 140 |
| 145 | 47.6 | 146.7 | 59,200 | 49.0 | 144.5 | 59,400 | 145 |
| 150 | 45.5 | 141.5 | 56,800 | 46.9 | 139.2 | 56,900 | 150 |
| 155 | 43.3 | 135.9 | 54,500 | 44.6 | 133.5 | 54,600 | 155 |
| 160 | 41.0 | 129.8 | 52,300 | 42.3 | 127.4 | 52,500 | 160 |
| 165 | 38.6 | 123.2 | 50,000 | 39.9 | 120.6 | 50,400 | 165 |
| 170 | 36.1 | 116.0 | 47,400 | 37.3 | 113.2 | 47,800 | 170 |
| 175 | 33.4 | 108.0 | 45,000 | 34.4 | 105.0 | 45,400 | 175 |
| 180 | 30.4 | 99.1 | 42,800 | 31.4 | 95.8 | 43,000 | 180 |
| 185 | 27.1 | 88.9 | 40,600 | 27.9 | 85.1 | 40,800 | 185 |
| 190 | 23.3 | 76.8 | 38,600 | | | | 190 |
| 195 | 18.7 | 61.7 | 36,600 | | | | 195 |

MLC300 S-2

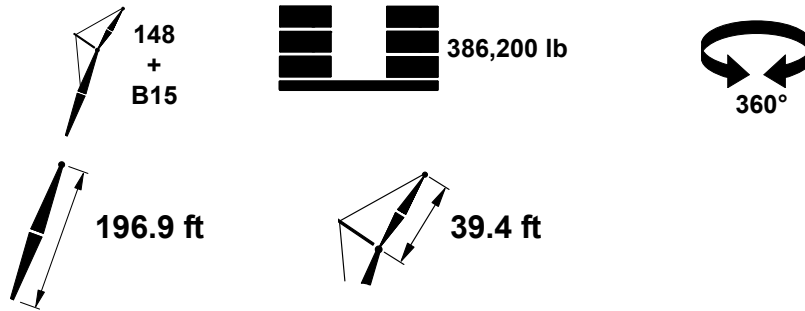
ASME B30.5



| | 10° | | | 20° | | | |
|-----|------|-------|---------|------|-------|---------|-----|
| | ft | ° | ft | lb | ft | lb | |
| 34 | 84.8 | 222.5 | 143,300 | | | | 34 |
| 36 | 84.2 | 222.3 | 143,300 | | | | 36 |
| 38 | 83.7 | 222.0 | 143,300 | | | | 38 |
| 40 | 83.2 | 221.7 | 143,300 | 84.8 | 220.1 | 141,900 | 40 |
| 45 | 81.8 | 220.8 | 143,300 | 83.4 | 219.2 | 140,600 | 45 |
| 50 | 80.5 | 219.8 | 143,300 | 82.1 | 218.2 | 134,600 | 50 |
| 55 | 79.1 | 218.7 | 143,300 | 80.7 | 217.1 | 129,100 | 55 |
| 60 | 77.8 | 217.4 | 143,300 | 79.3 | 215.8 | 124,100 | 60 |
| 65 | 76.4 | 216.0 | 143,300 | 78.0 | 214.4 | 119,400 | 65 |
| 70 | 75.0 | 214.5 | 143,300 | 76.6 | 212.9 | 115,200 | 70 |
| 75 | 73.6 | 212.9 | 133,300 | 75.2 | 211.3 | 111,300 | 75 |
| 80 | 72.2 | 211.1 | 123,200 | 73.8 | 209.5 | 107,600 | 80 |
| 85 | 70.8 | 209.2 | 114,500 | 72.3 | 207.6 | 104,200 | 85 |
| 90 | 69.4 | 207.2 | 106,800 | 70.9 | 205.5 | 101,000 | 90 |
| 95 | 68.0 | 205.0 | 100,000 | 69.5 | 203.3 | 98,000 | 95 |
| 100 | 66.5 | 202.6 | 94,000 | 68.0 | 200.9 | 94,400 | 100 |
| 105 | 65.0 | 200.1 | 88,600 | 66.5 | 198.4 | 89,000 | 105 |
| 110 | 63.5 | 197.4 | 83,700 | 65.0 | 195.7 | 84,100 | 110 |
| 115 | 62.0 | 194.6 | 79,300 | 63.5 | 192.8 | 79,600 | 115 |
| 120 | 60.5 | 191.6 | 75,300 | 61.9 | 189.7 | 75,600 | 120 |
| 125 | 58.9 | 188.4 | 71,600 | 60.3 | 186.5 | 71,900 | 125 |
| 130 | 57.3 | 185.0 | 68,200 | 58.7 | 183.0 | 68,500 | 130 |
| 135 | 55.7 | 181.3 | 65,100 | 57.1 | 179.4 | 65,400 | 135 |
| 140 | 54.0 | 177.5 | 62,300 | 55.4 | 175.5 | 62,500 | 140 |
| 145 | 52.3 | 173.4 | 59,600 | 53.7 | 171.3 | 59,800 | 145 |
| 150 | 50.6 | 169.1 | 56,800 | 51.9 | 166.9 | 57,300 | 150 |
| 155 | 48.8 | 164.4 | 53,800 | 50.1 | 162.3 | 54,500 | 155 |
| 160 | 46.9 | 159.5 | 50,900 | 48.2 | 157.3 | 51,600 | 160 |
| 165 | 45.0 | 154.2 | 48,200 | 46.3 | 151.9 | 48,800 | 165 |
| 170 | 43.0 | 148.6 | 45,700 | 44.2 | 146.2 | 46,300 | 170 |
| 175 | 41.0 | 142.6 | 43,400 | 42.1 | 140.0 | 43,900 | 175 |
| 180 | 38.8 | 136.0 | 41,100 | 39.9 | 133.4 | 41,600 | 180 |
| 185 | 36.5 | 129.0 | 39,000 | 37.6 | 126.2 | 39,400 | 185 |
| 190 | 34.1 | 121.2 | 37,000 | 35.1 | 118.2 | 37,300 | 190 |
| 195 | 31.5 | 112.7 | 35,100 | 32.4 | 109.4 | 35,400 | 195 |
| 200 | 28.6 | 103.1 | 33,300 | 29.5 | 99.5 | 33,500 | 200 |
| 205 | 25.5 | 92.2 | 31,500 | | | | 205 |
| 210 | 21.8 | 79.4 | 29,800 | | | | 210 |
| 215 | 17.4 | 63.2 | 28,200 | | | | 215 |

MLC300 S-2

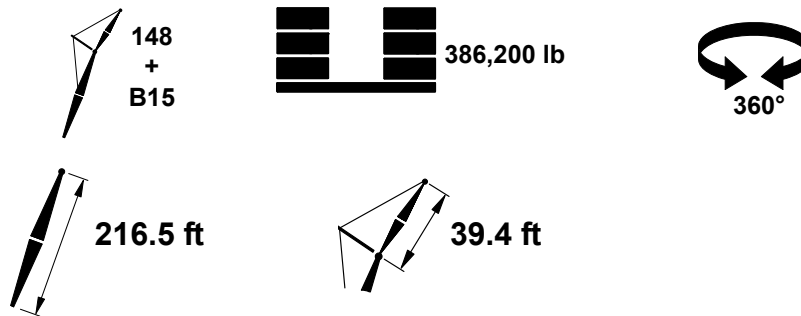
ASME B30.5



| | 10° | | | 20° | | | |
|-----|------|-------|---------|------|-------|---------|-----|
| | ft | ° | ft | lb | ft | lb | |
| 36 | 84.7 | 242.1 | 143,300 | | | | 36 |
| 38 | 84.2 | 241.9 | 143,300 | | | | 38 |
| 40 | 83.7 | 241.6 | 143,300 | | | | 40 |
| 45 | 82.5 | 240.8 | 143,300 | 84.0 | 239.1 | 140,100 | 45 |
| 50 | 81.3 | 239.9 | 143,300 | 82.7 | 238.2 | 137,200 | 50 |
| 55 | 80.0 | 238.8 | 143,300 | 81.5 | 237.2 | 131,900 | 55 |
| 60 | 78.8 | 237.7 | 143,300 | 80.3 | 236.1 | 127,100 | 60 |
| 65 | 77.6 | 236.4 | 143,300 | 79.0 | 234.8 | 122,700 | 65 |
| 70 | 76.3 | 235.1 | 142,800 | 77.7 | 233.4 | 118,600 | 70 |
| 75 | 75.0 | 233.6 | 133,600 | 76.5 | 231.9 | 114,800 | 75 |
| 80 | 73.8 | 232.0 | 123,500 | 75.2 | 230.3 | 111,200 | 80 |
| 85 | 72.5 | 230.3 | 114,800 | 73.9 | 228.6 | 107,800 | 85 |
| 90 | 71.2 | 228.4 | 107,200 | 72.6 | 226.7 | 104,700 | 90 |
| 95 | 69.9 | 226.4 | 100,400 | 71.3 | 224.7 | 100,900 | 95 |
| 100 | 68.6 | 224.3 | 94,300 | 70.0 | 222.5 | 94,800 | 100 |
| 105 | 67.3 | 222.0 | 88,900 | 68.6 | 220.3 | 89,300 | 105 |
| 110 | 65.9 | 219.6 | 84,000 | 67.3 | 217.9 | 84,400 | 110 |
| 115 | 64.6 | 217.1 | 79,600 | 65.9 | 215.3 | 80,000 | 115 |
| 120 | 63.2 | 214.4 | 75,600 | 64.5 | 212.6 | 75,900 | 120 |
| 125 | 61.8 | 211.5 | 71,900 | 63.1 | 209.7 | 72,200 | 125 |
| 130 | 60.4 | 208.5 | 68,500 | 61.7 | 206.6 | 68,800 | 130 |
| 135 | 59.0 | 205.3 | 65,400 | 60.2 | 203.4 | 65,700 | 135 |
| 140 | 57.5 | 202.0 | 61,800 | 58.8 | 200.0 | 62,800 | 140 |
| 145 | 56.0 | 198.4 | 58,300 | 57.3 | 196.4 | 59,300 | 145 |
| 150 | 54.5 | 194.6 | 55,000 | 55.7 | 192.6 | 55,900 | 150 |
| 155 | 53.0 | 190.7 | 52,000 | 54.2 | 188.6 | 52,800 | 155 |
| 160 | 51.4 | 186.5 | 49,200 | 52.6 | 184.3 | 49,900 | 160 |
| 165 | 49.8 | 182.0 | 46,500 | 51.0 | 179.8 | 47,200 | 165 |
| 170 | 48.1 | 177.3 | 44,000 | 49.3 | 175.1 | 44,700 | 170 |
| 175 | 46.4 | 172.3 | 41,600 | 47.5 | 170.0 | 42,300 | 175 |
| 180 | 44.6 | 167.0 | 39,400 | 45.7 | 164.6 | 40,000 | 180 |
| 185 | 42.8 | 161.3 | 37,300 | 43.9 | 158.9 | 37,800 | 185 |
| 190 | 40.9 | 155.3 | 35,300 | 42.0 | 152.7 | 35,800 | 190 |
| 195 | 38.9 | 148.8 | 33,400 | 40.0 | 146.2 | 33,900 | 195 |
| 200 | 36.9 | 141.9 | 31,600 | 37.8 | 139.0 | 32,000 | 200 |
| 205 | 34.7 | 134.3 | 29,900 | 35.6 | 131.3 | 30,200 | 205 |
| 210 | 32.4 | 126.1 | 28,300 | 33.2 | 122.9 | 28,600 | 210 |
| 215 | 29.8 | 117.0 | 26,700 | 30.6 | 113.6 | 26,900 | 215 |
| 220 | 27.1 | 106.9 | 25,200 | 27.8 | 103.1 | 25,400 | 220 |
| 225 | 24.1 | 95.3 | 23,800 | | | | 225 |
| 230 | 20.5 | 81.7 | 22,400 | | | | 230 |

MLC300 S-2

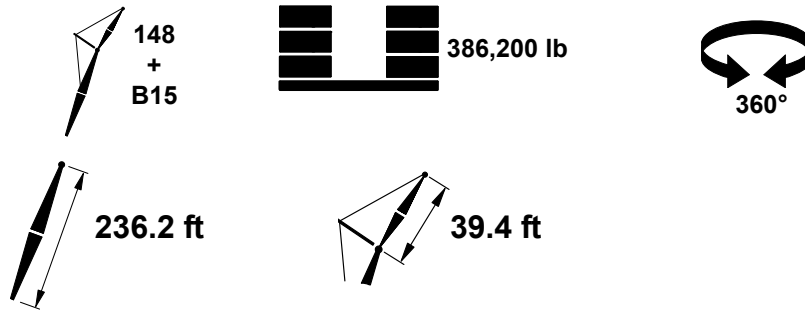
ASME B30.5



| | 10° | | | 20° | | | |
|-----|------|-------|---------|------|-------|---------|-----|
| | ft | ° | ft | lb | ft | lb | |
| 38 | 84.7 | 261.7 | 143,300 | | | | 38 |
| 40 | 84.2 | 261.4 | 143,300 | | | | 40 |
| 45 | 83.1 | 260.7 | 143,300 | 84.5 | 259.1 | 138,700 | 45 |
| 50 | 82.0 | 259.9 | 143,300 | 83.3 | 258.2 | 137,800 | 50 |
| 55 | 80.8 | 258.9 | 143,300 | 82.2 | 257.3 | 134,300 | 55 |
| 60 | 79.7 | 257.9 | 143,000 | 81.0 | 256.2 | 129,700 | 60 |
| 65 | 78.5 | 256.7 | 142,400 | 79.9 | 255.1 | 125,500 | 65 |
| 70 | 77.4 | 255.5 | 141,800 | 78.7 | 253.8 | 121,500 | 70 |
| 75 | 76.2 | 254.1 | 133,900 | 77.5 | 252.4 | 117,800 | 75 |
| 80 | 75.1 | 252.6 | 123,800 | 76.4 | 250.9 | 114,400 | 80 |
| 85 | 73.9 | 251.0 | 115,100 | 75.2 | 249.3 | 111,000 | 85 |
| 90 | 72.7 | 249.4 | 107,500 | 74.0 | 247.6 | 108,000 | 90 |
| 95 | 71.5 | 247.5 | 100,700 | 72.8 | 245.8 | 101,200 | 95 |
| 100 | 70.3 | 245.6 | 94,600 | 71.6 | 243.9 | 95,100 | 100 |
| 105 | 69.1 | 243.6 | 89,200 | 70.4 | 241.8 | 89,600 | 105 |
| 110 | 67.9 | 241.4 | 84,300 | 69.2 | 239.6 | 84,700 | 110 |
| 115 | 66.7 | 239.1 | 79,900 | 67.9 | 237.3 | 80,300 | 115 |
| 120 | 65.4 | 236.6 | 75,900 | 66.7 | 234.8 | 76,200 | 120 |
| 125 | 64.2 | 234.1 | 72,200 | 65.4 | 232.2 | 72,500 | 125 |
| 130 | 62.9 | 231.3 | 67,800 | 64.1 | 229.5 | 69,000 | 130 |
| 135 | 61.6 | 228.5 | 63,700 | 62.8 | 226.6 | 64,900 | 135 |
| 140 | 60.3 | 225.5 | 59,900 | 61.5 | 223.6 | 61,100 | 140 |
| 145 | 59.0 | 222.3 | 56,400 | 60.2 | 220.4 | 57,500 | 145 |
| 150 | 57.7 | 219.0 | 53,200 | 58.8 | 217.0 | 54,200 | 150 |
| 155 | 56.3 | 215.4 | 50,100 | 57.5 | 213.4 | 51,100 | 155 |
| 160 | 54.9 | 211.8 | 47,300 | 56.1 | 209.7 | 48,200 | 160 |
| 165 | 53.5 | 207.9 | 44,700 | 54.6 | 205.8 | 45,500 | 165 |
| 170 | 52.1 | 203.8 | 42,200 | 53.2 | 201.7 | 42,900 | 170 |
| 175 | 50.6 | 199.5 | 39,800 | 51.7 | 197.3 | 40,500 | 175 |
| 180 | 49.1 | 194.9 | 37,600 | 50.2 | 192.7 | 38,300 | 180 |
| 185 | 47.5 | 190.1 | 35,500 | 48.6 | 187.9 | 36,100 | 185 |
| 190 | 45.9 | 185.1 | 33,500 | 47.0 | 182.7 | 34,100 | 190 |
| 195 | 44.3 | 179.7 | 31,600 | 45.3 | 177.3 | 32,200 | 195 |
| 200 | 42.6 | 174.1 | 29,900 | 43.6 | 171.6 | 30,400 | 200 |
| 205 | 40.9 | 168.0 | 28,200 | 41.8 | 165.4 | 28,600 | 205 |
| 210 | 39.1 | 161.6 | 26,500 | 40.0 | 158.9 | 27,000 | 210 |
| 215 | 37.2 | 154.8 | 25,000 | 38.1 | 151.9 | 25,400 | 215 |
| 220 | 35.2 | 147.4 | 23,500 | 36.0 | 144.4 | 23,900 | 220 |
| 225 | 33.1 | 139.4 | 22,100 | 33.9 | 136.2 | 22,400 | 225 |
| 230 | 30.8 | 130.7 | 20,700 | 31.6 | 127.3 | 21,000 | 230 |
| 235 | 28.4 | 121.1 | 19,400 | 29.1 | 117.4 | 19,600 | 235 |
| 240 | 25.8 | 110.4 | 18,200 | 26.4 | 106.3 | 18,300 | 240 |
| 245 | 22.8 | 98.2 | 17,000 | | | | 245 |
| 250 | 19.4 | 83.7 | 15,800 | | | | 250 |

MLC300 S-2

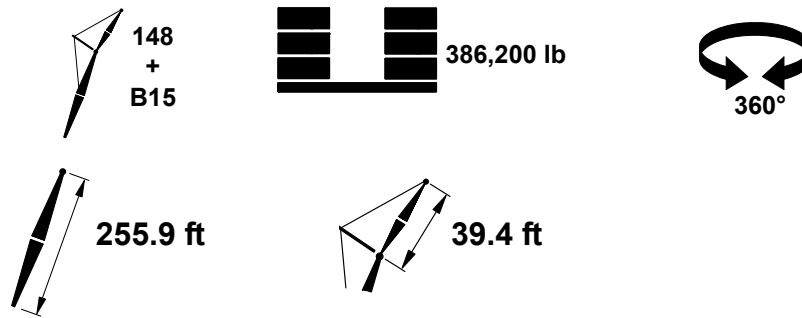
ASME B30.5



| | 10° | | | 20° | | | |
|-----|------|-------|---------|------|-------|---------|-----|
| | ft | ° | ft | lb | ft | lb | |
| 40 | 84.6 | 281.3 | 143,300 | | | | 40 |
| 45 | 83.6 | 280.6 | 143,300 | 84.9 | 278.9 | 134,300 | 45 |
| 50 | 82.5 | 279.8 | 142,700 | 83.8 | 278.2 | 133,200 | 50 |
| 55 | 81.5 | 278.9 | 142,000 | 82.7 | 277.3 | 132,100 | 55 |
| 60 | 80.4 | 278.0 | 141,400 | 81.7 | 276.3 | 131,100 | 60 |
| 65 | 79.4 | 276.9 | 140,700 | 80.6 | 275.2 | 127,900 | 65 |
| 70 | 78.3 | 275.8 | 140,200 | 79.5 | 274.1 | 124,100 | 70 |
| 75 | 77.2 | 274.5 | 134,100 | 78.5 | 272.8 | 120,600 | 75 |
| 80 | 76.2 | 273.1 | 124,100 | 77.4 | 271.4 | 117,100 | 80 |
| 85 | 75.1 | 271.7 | 115,400 | 76.3 | 270.0 | 114,000 | 85 |
| 90 | 74.0 | 270.1 | 107,700 | 75.2 | 268.4 | 108,300 | 90 |
| 95 | 72.9 | 268.4 | 100,900 | 74.1 | 266.7 | 101,500 | 95 |
| 100 | 71.8 | 266.7 | 94,900 | 73.0 | 264.9 | 95,400 | 100 |
| 105 | 70.7 | 264.8 | 89,500 | 71.9 | 263.0 | 89,900 | 105 |
| 110 | 69.6 | 262.8 | 84,600 | 70.8 | 261.0 | 85,000 | 110 |
| 115 | 68.5 | 260.7 | 80,200 | 69.6 | 258.9 | 80,500 | 115 |
| 120 | 67.3 | 258.4 | 75,000 | 68.5 | 256.6 | 76,500 | 120 |
| 125 | 66.2 | 256.1 | 70,300 | 67.3 | 254.3 | 71,700 | 125 |
| 130 | 65.0 | 253.6 | 65,800 | 66.2 | 251.8 | 67,300 | 130 |
| 135 | 63.8 | 251.0 | 61,800 | 65.0 | 249.2 | 63,100 | 135 |
| 140 | 62.7 | 248.3 | 58,000 | 63.8 | 246.4 | 59,300 | 140 |
| 145 | 61.5 | 245.4 | 54,500 | 62.6 | 243.5 | 55,700 | 145 |
| 150 | 60.3 | 242.4 | 51,300 | 61.4 | 240.5 | 52,400 | 150 |
| 155 | 59.0 | 239.3 | 48,300 | 60.1 | 237.3 | 49,300 | 155 |
| 160 | 57.8 | 235.9 | 45,400 | 58.9 | 234.0 | 46,400 | 160 |
| 165 | 56.5 | 232.5 | 42,800 | 57.6 | 230.5 | 43,700 | 165 |
| 170 | 55.2 | 228.8 | 40,300 | 56.3 | 226.8 | 41,200 | 170 |
| 175 | 53.9 | 225.0 | 38,000 | 55.0 | 222.9 | 38,800 | 175 |
| 180 | 52.6 | 221.0 | 35,800 | 53.7 | 218.9 | 36,600 | 180 |
| 185 | 51.3 | 216.8 | 33,700 | 52.3 | 214.7 | 34,400 | 185 |
| 190 | 49.9 | 212.5 | 31,700 | 50.9 | 210.2 | 32,400 | 190 |
| 195 | 48.5 | 207.8 | 29,800 | 49.5 | 205.6 | 30,500 | 195 |
| 200 | 47.0 | 203.0 | 28,100 | 48.0 | 200.7 | 28,700 | 200 |
| 205 | 45.5 | 197.9 | 26,400 | 46.5 | 195.5 | 26,900 | 205 |
| 210 | 44.0 | 192.5 | 24,800 | 45.0 | 190.0 | 25,300 | 210 |
| 215 | 42.5 | 186.8 | 23,200 | 43.4 | 184.3 | 23,700 | 215 |
| 220 | 40.8 | 180.8 | 21,800 | 41.7 | 178.2 | 22,200 | 220 |
| 225 | 39.2 | 174.4 | 20,400 | 40.0 | 171.7 | 20,800 | 225 |
| 230 | 37.4 | 167.6 | 19,000 | 38.2 | 164.8 | 19,400 | 230 |
| 235 | 35.6 | 160.4 | 17,700 | 36.4 | 157.4 | 18,100 | 235 |
| 240 | 33.7 | 152.6 | 16,500 | 34.4 | 149.4 | 16,800 | 240 |
| 245 | 31.6 | 144.2 | 15,300 | 32.3 | 140.8 | 15,500 | 245 |
| 250 | 29.5 | 135.0 | 14,100 | 30.1 | 131.4 | 14,400 | 250 |
| 255 | 27.1 | 124.9 | 13,000 | 27.7 | 121.0 | 13,200 | 255 |
| 260 | 24.6 | 113.7 | 12,000 | | | | 260 |
| 270 | 18.4 | 85.6 | 9,900 | | | | 270 |

MLC300 S-2

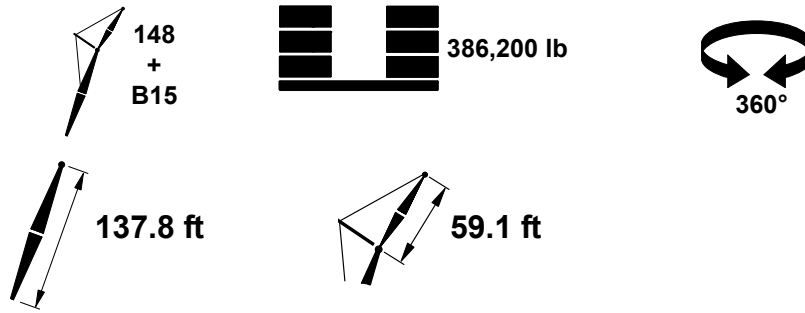
ASME B30.5



| ft | 10° | | | 20° | | | ft |
|-----|------|-------|---------|------|-------|---------|-----|
| | ° | ft | lb | ° | ft | lb | |
| 40 | 85.0 | 301.1 | 141,200 | | | | 40 |
| 45 | 84.0 | 300.5 | 140,500 | | | | 45 |
| 50 | 83.0 | 299.7 | 139,700 | 84.2 | 298.1 | 127,300 | 50 |
| 55 | 82.1 | 298.9 | 139,000 | 83.2 | 297.2 | 125,400 | 55 |
| 60 | 81.1 | 298.0 | 138,400 | 82.2 | 296.3 | 121,800 | 60 |
| 65 | 80.1 | 297.0 | 136,000 | 81.3 | 295.3 | 118,300 | 65 |
| 70 | 79.1 | 296.0 | 131,700 | 80.3 | 294.3 | 115,100 | 70 |
| 75 | 78.1 | 294.8 | 127,600 | 79.3 | 293.1 | 112,000 | 75 |
| 80 | 77.1 | 293.5 | 123,400 | 78.3 | 291.8 | 109,100 | 80 |
| 85 | 76.1 | 292.2 | 114,700 | 77.2 | 290.4 | 106,400 | 85 |
| 90 | 75.1 | 290.7 | 107,100 | 76.2 | 289.0 | 103,800 | 90 |
| 95 | 74.1 | 289.2 | 100,300 | 75.2 | 287.4 | 100,900 | 95 |
| 100 | 73.1 | 287.5 | 94,300 | 74.2 | 285.8 | 94,800 | 100 |
| 105 | 72.0 | 285.8 | 88,900 | 73.2 | 284.0 | 89,400 | 105 |
| 110 | 71.0 | 283.9 | 84,000 | 72.1 | 282.2 | 84,500 | 110 |
| 115 | 70.0 | 282.0 | 78,500 | 71.1 | 280.2 | 80,000 | 115 |
| 120 | 68.9 | 279.9 | 73,300 | 70.0 | 278.1 | 75,000 | 120 |
| 125 | 67.9 | 277.8 | 68,500 | 69.0 | 276.0 | 70,100 | 125 |
| 130 | 66.8 | 275.5 | 64,100 | 67.9 | 273.7 | 65,600 | 130 |
| 135 | 65.7 | 273.1 | 60,100 | 66.8 | 271.3 | 61,500 | 135 |
| 140 | 64.7 | 270.6 | 56,300 | 65.7 | 268.7 | 57,700 | 140 |
| 145 | 63.6 | 268.0 | 52,900 | 64.6 | 266.1 | 54,100 | 145 |
| 150 | 62.5 | 265.2 | 49,600 | 63.5 | 263.3 | 50,800 | 150 |
| 155 | 61.3 | 262.4 | 46,600 | 62.4 | 260.4 | 47,800 | 155 |
| 160 | 60.2 | 259.4 | 43,800 | 61.2 | 257.4 | 44,900 | 160 |
| 165 | 59.1 | 256.2 | 41,100 | 60.1 | 254.2 | 42,200 | 165 |
| 170 | 57.9 | 252.9 | 38,700 | 58.9 | 250.9 | 39,600 | 170 |
| 175 | 56.7 | 249.5 | 36,300 | 57.7 | 247.5 | 37,200 | 175 |
| 180 | 55.5 | 245.9 | 34,100 | 56.5 | 243.9 | 35,000 | 180 |
| 185 | 54.3 | 242.2 | 32,000 | 55.3 | 240.1 | 32,900 | 185 |
| 190 | 53.1 | 238.3 | 30,100 | 54.1 | 236.1 | 30,900 | 190 |
| 195 | 51.9 | 234.2 | 28,200 | 52.8 | 232.0 | 28,900 | 195 |
| 200 | 50.6 | 229.9 | 26,400 | 51.5 | 227.7 | 27,100 | 200 |
| 205 | 49.3 | 225.4 | 24,700 | 50.2 | 223.1 | 25,400 | 205 |
| 210 | 48.0 | 220.7 | 23,100 | 48.9 | 218.4 | 23,800 | 210 |
| 215 | 46.6 | 215.8 | 21,600 | 47.5 | 213.4 | 22,200 | 215 |
| 220 | 45.2 | 210.6 | 20,200 | 46.1 | 208.2 | 20,700 | 220 |
| 225 | 43.8 | 205.2 | 18,800 | 44.7 | 202.7 | 19,300 | 225 |
| 230 | 42.3 | 199.5 | 17,400 | 43.2 | 197.0 | 17,900 | 230 |
| 235 | 40.8 | 193.5 | 16,200 | 41.6 | 190.9 | 16,600 | 235 |
| 240 | 39.2 | 187.2 | 14,900 | 40.0 | 184.4 | 15,300 | 240 |
| 245 | 37.6 | 180.5 | 13,800 | 38.4 | 177.6 | 14,100 | 245 |
| 250 | 35.9 | 173.3 | 12,600 | 36.7 | 170.3 | 12,900 | 250 |
| 255 | 34.2 | 165.7 | 11,500 | 34.9 | 162.6 | 11,800 | 255 |
| 260 | 32.3 | 157.5 | 10,500 | 33.0 | 154.2 | 10,700 | 260 |
| 270 | 28.3 | 139.1 | 8,500 | 28.8 | 135.3 | 8,700 | 270 |

MLC300 S-2

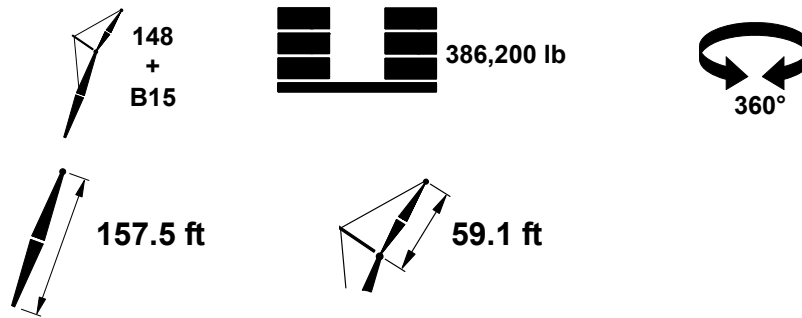
ASME B30.5



| | 10° | | | 20° | | | |
|-----|------|-------|---------|------|-------|--------|-----|
| | ft | ° | ft | lb | ft | lb | |
| 38 | 84.6 | 201.7 | 115,000 | | | | 38 |
| 40 | 84.0 | 201.3 | 113,800 | | | | 40 |
| 45 | 82.5 | 200.3 | 110,600 | | | | 45 |
| 50 | 81.0 | 199.2 | 107,700 | 83.7 | 197.1 | 88,800 | 50 |
| 55 | 79.5 | 198.0 | 104,900 | 82.2 | 195.8 | 84,700 | 55 |
| 60 | 78.0 | 196.6 | 102,300 | 80.6 | 194.4 | 80,900 | 60 |
| 65 | 76.5 | 195.1 | 99,700 | 79.1 | 192.9 | 77,400 | 65 |
| 70 | 75.0 | 193.4 | 97,400 | 77.5 | 191.2 | 74,200 | 70 |
| 75 | 73.4 | 191.6 | 95,200 | 76.0 | 189.3 | 71,400 | 75 |
| 80 | 71.9 | 189.6 | 91,300 | 74.4 | 187.3 | 68,700 | 80 |
| 85 | 70.3 | 187.5 | 87,100 | 72.8 | 185.2 | 66,200 | 85 |
| 90 | 68.7 | 185.2 | 83,500 | 71.2 | 182.8 | 64,000 | 90 |
| 95 | 67.1 | 182.7 | 80,000 | 69.5 | 180.3 | 61,800 | 95 |
| 100 | 65.4 | 180.1 | 76,900 | 67.9 | 177.6 | 59,900 | 100 |
| 105 | 63.7 | 177.2 | 74,000 | 66.2 | 174.7 | 58,000 | 105 |
| 110 | 62.0 | 174.2 | 71,300 | 64.4 | 171.7 | 56,300 | 110 |
| 115 | 60.3 | 170.9 | 68,800 | 62.7 | 168.4 | 54,700 | 115 |
| 120 | 58.5 | 167.5 | 66,500 | 60.9 | 164.8 | 53,200 | 120 |
| 125 | 56.7 | 163.8 | 64,300 | 59.1 | 161.1 | 51,800 | 125 |
| 130 | 54.9 | 159.8 | 62,300 | 57.2 | 157.0 | 50,500 | 130 |
| 135 | 53.0 | 155.6 | 60,400 | 55.2 | 152.7 | 49,300 | 135 |
| 140 | 51.0 | 151.0 | 58,700 | 53.2 | 148.1 | 48,100 | 140 |
| 145 | 49.0 | 146.2 | 57,000 | 51.2 | 143.1 | 47,000 | 145 |
| 150 | 46.9 | 140.9 | 55,500 | 49.0 | 137.8 | 46,000 | 150 |
| 155 | 44.7 | 135.3 | 54,000 | 46.8 | 132.0 | 45,100 | 155 |
| 160 | 42.4 | 129.2 | 52,000 | 44.4 | 125.7 | 44,200 | 160 |
| 165 | 40.0 | 122.6 | 50,000 | 41.9 | 118.9 | 43,400 | 165 |
| 170 | 37.4 | 115.3 | 48,100 | 39.3 | 111.4 | 42,700 | 170 |
| 175 | 34.7 | 107.3 | 46,300 | 36.4 | 103.0 | 42,000 | 175 |
| 180 | 31.7 | 98.3 | 44,600 | 33.3 | 93.5 | 41,400 | 180 |
| 185 | 28.4 | 87.9 | 43,100 | 29.7 | 82.6 | 41,000 | 185 |
| 190 | 24.5 | 75.7 | 41,500 | | | | 190 |
| 195 | 19.8 | 60.3 | 40,000 | | | | 195 |

MLC300 S-2

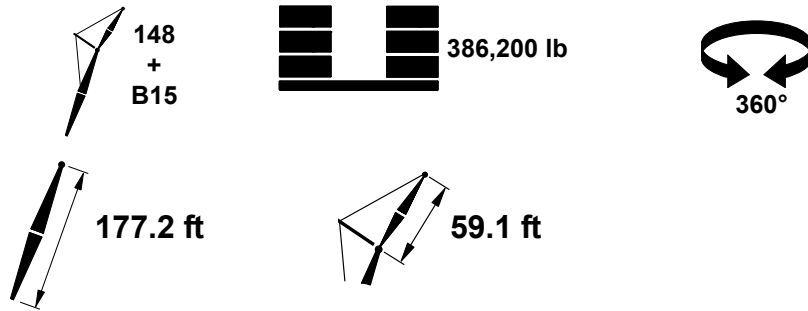
ASME B30.5



| | 10° | | | 20° | | | |
|-----|------|-------|---------|------|-------|--------|-----|
| | ft | ° | ft | lb | ft | lb | |
| 40 | 84.5 | 221.2 | 114,000 | | | | 40 |
| 45 | 83.2 | 220.4 | 111,200 | | | | 45 |
| 50 | 81.8 | 219.4 | 108,600 | 84.3 | 217.1 | 90,300 | 50 |
| 55 | 80.5 | 218.2 | 106,000 | 82.9 | 216.0 | 86,400 | 55 |
| 60 | 79.1 | 217.0 | 103,600 | 81.5 | 214.7 | 82,800 | 60 |
| 65 | 77.8 | 215.6 | 101,300 | 80.1 | 213.3 | 79,500 | 65 |
| 70 | 76.4 | 214.1 | 99,100 | 78.7 | 211.8 | 76,500 | 70 |
| 75 | 75.0 | 212.5 | 97,100 | 77.3 | 210.1 | 73,700 | 75 |
| 80 | 73.6 | 210.7 | 95,100 | 75.9 | 208.3 | 71,100 | 80 |
| 85 | 72.2 | 208.8 | 92,000 | 74.5 | 206.4 | 68,800 | 85 |
| 90 | 70.7 | 206.7 | 88,200 | 73.0 | 204.3 | 66,500 | 90 |
| 95 | 69.3 | 204.5 | 84,700 | 71.6 | 202.1 | 64,400 | 95 |
| 100 | 67.8 | 202.2 | 81,600 | 70.1 | 199.7 | 62,500 | 100 |
| 105 | 66.4 | 199.7 | 78,600 | 68.6 | 197.2 | 60,700 | 105 |
| 110 | 64.9 | 197.0 | 75,900 | 67.1 | 194.4 | 59,000 | 110 |
| 115 | 63.3 | 194.1 | 73,300 | 65.5 | 191.5 | 57,300 | 115 |
| 120 | 61.8 | 191.1 | 70,900 | 64.0 | 188.5 | 55,800 | 120 |
| 125 | 60.2 | 187.9 | 68,700 | 62.4 | 185.2 | 54,400 | 125 |
| 130 | 58.6 | 184.4 | 66,600 | 60.8 | 181.7 | 53,100 | 130 |
| 135 | 57.0 | 180.8 | 64,600 | 59.1 | 178.0 | 51,800 | 135 |
| 140 | 55.3 | 177.0 | 61,800 | 57.4 | 174.1 | 50,600 | 140 |
| 145 | 53.6 | 172.9 | 59,200 | 55.7 | 169.9 | 49,500 | 145 |
| 150 | 51.9 | 168.5 | 56,700 | 53.9 | 165.5 | 48,500 | 150 |
| 155 | 50.1 | 163.9 | 54,400 | 52.0 | 160.8 | 47,500 | 155 |
| 160 | 48.2 | 158.9 | 52,200 | 50.1 | 155.7 | 46,500 | 160 |
| 165 | 46.3 | 153.6 | 50,200 | 48.2 | 150.3 | 45,600 | 165 |
| 170 | 44.3 | 148.0 | 48,300 | 46.1 | 144.5 | 44,800 | 170 |
| 175 | 42.2 | 141.9 | 46,600 | 44.0 | 138.3 | 44,100 | 175 |
| 180 | 40.0 | 135.3 | 44,900 | 41.8 | 131.6 | 43,400 | 180 |
| 185 | 37.7 | 128.2 | 42,800 | 39.4 | 124.2 | 42,700 | 185 |
| 190 | 35.3 | 120.4 | 40,700 | 36.9 | 116.1 | 41,200 | 190 |
| 195 | 32.7 | 111.8 | 38,800 | 34.1 | 107.2 | 39,200 | 195 |
| 200 | 29.8 | 102.2 | 37,000 | 31.1 | 97.0 | 37,300 | 200 |
| 205 | 26.6 | 91.2 | 35,200 | | | | 205 |
| 210 | 22.9 | 78.1 | 33,500 | | | | 210 |

MLC300 S-2

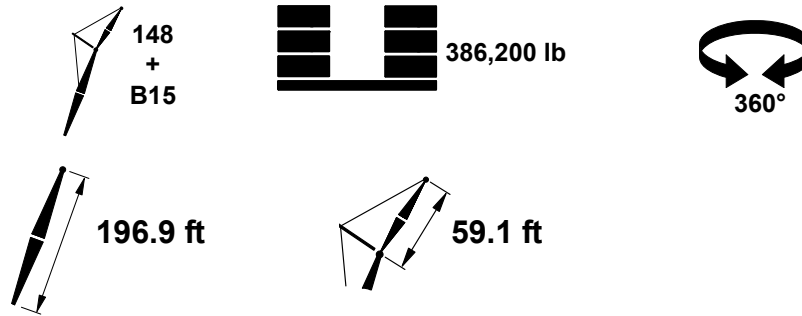
ASME B30.5



| | 10° | | | 20° | | | |
|-----|------|-------|---------|------|-------|--------|-----|
| | ft | ° | ft | lb | ft | lb | |
| 40 | 85.0 | 241.1 | 113,400 | | | | 40 |
| 45 | 83.8 | 240.3 | 111,400 | | | | 45 |
| 50 | 82.5 | 239.4 | 109,000 | 84.8 | 237.1 | 91,500 | 50 |
| 55 | 81.3 | 238.4 | 106,700 | 83.5 | 236.0 | 87,900 | 55 |
| 60 | 80.1 | 237.2 | 104,500 | 82.2 | 234.9 | 84,500 | 60 |
| 65 | 78.8 | 236.0 | 102,400 | 81.0 | 233.6 | 81,400 | 65 |
| 70 | 77.6 | 234.6 | 100,400 | 79.7 | 232.2 | 78,500 | 70 |
| 75 | 76.3 | 233.1 | 98,500 | 78.4 | 230.7 | 75,800 | 75 |
| 80 | 75.0 | 231.5 | 96,600 | 77.2 | 229.1 | 73,300 | 80 |
| 85 | 73.7 | 229.8 | 94,800 | 75.9 | 227.4 | 70,900 | 85 |
| 90 | 72.4 | 227.9 | 92,500 | 74.6 | 225.5 | 68,700 | 90 |
| 95 | 71.1 | 225.9 | 89,100 | 73.2 | 223.5 | 66,700 | 95 |
| 100 | 69.8 | 223.8 | 85,800 | 71.9 | 221.3 | 64,800 | 100 |
| 105 | 68.5 | 221.6 | 82,800 | 70.6 | 219.0 | 63,000 | 105 |
| 110 | 67.2 | 219.1 | 80,100 | 69.2 | 216.6 | 61,300 | 110 |
| 115 | 65.8 | 216.6 | 77,500 | 67.8 | 214.0 | 59,700 | 115 |
| 120 | 64.4 | 213.9 | 75,000 | 66.4 | 211.3 | 58,200 | 120 |
| 125 | 63.0 | 211.0 | 71,500 | 65.0 | 208.4 | 56,800 | 125 |
| 130 | 61.6 | 208.0 | 68,100 | 63.6 | 205.3 | 55,400 | 130 |
| 135 | 60.2 | 204.8 | 65,000 | 62.1 | 202.1 | 54,200 | 135 |
| 140 | 58.7 | 201.4 | 62,100 | 60.6 | 198.6 | 53,000 | 140 |
| 145 | 57.2 | 197.9 | 59,400 | 59.1 | 195.0 | 51,900 | 145 |
| 150 | 55.7 | 194.1 | 57,000 | 57.6 | 191.2 | 50,800 | 150 |
| 155 | 54.2 | 190.1 | 54,700 | 56.0 | 187.1 | 49,700 | 155 |
| 160 | 52.6 | 185.9 | 52,500 | 54.4 | 182.8 | 48,700 | 160 |
| 165 | 50.9 | 181.4 | 50,400 | 52.8 | 178.3 | 47,900 | 165 |
| 170 | 49.3 | 176.7 | 47,800 | 51.1 | 173.5 | 47,000 | 170 |
| 175 | 47.6 | 171.7 | 45,500 | 49.3 | 168.4 | 46,100 | 175 |
| 180 | 45.8 | 166.3 | 43,200 | 47.5 | 162.9 | 44,000 | 180 |
| 185 | 44.0 | 160.7 | 41,100 | 45.6 | 157.1 | 41,800 | 185 |
| 190 | 42.1 | 154.6 | 39,100 | 43.7 | 150.9 | 39,700 | 190 |
| 195 | 40.1 | 148.1 | 37,100 | 41.6 | 144.2 | 37,800 | 195 |
| 200 | 38.0 | 141.1 | 35,300 | 39.5 | 137.0 | 35,900 | 200 |
| 205 | 35.8 | 133.5 | 33,600 | 37.2 | 129.2 | 34,100 | 205 |
| 210 | 33.4 | 125.2 | 31,900 | 34.8 | 120.6 | 32,300 | 210 |
| 215 | 30.9 | 116.1 | 30,300 | 32.1 | 111.0 | 30,700 | 215 |
| 220 | 28.2 | 105.9 | 28,800 | 29.2 | 100.3 | 29,100 | 220 |
| 225 | 25.1 | 94.2 | 27,300 | | | | 225 |
| 230 | 21.5 | 80.3 | 25,900 | | | | 230 |

MLC300 S-2

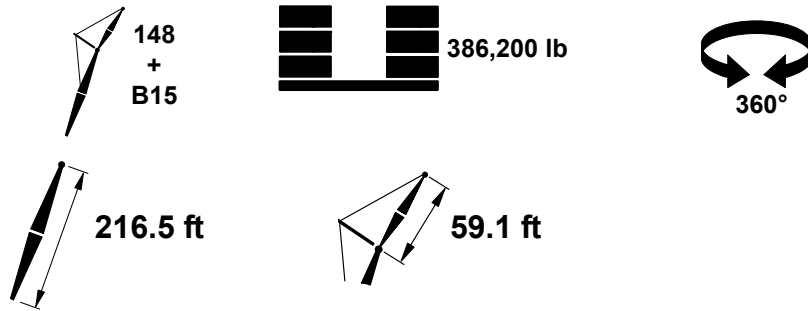
ASME B30.5



| | 10° | | | 20° | | | |
|-----|------|-------|---------|------|-------|--------|-----|
| | ft | ° | ft | lb | ft | lb | |
| 45 | 84.2 | 260.2 | 111,100 | | | | 45 |
| 50 | 83.1 | 259.4 | 109,000 | | | | 50 |
| 55 | 82.0 | 258.5 | 106,900 | 84.0 | 256.1 | 89,100 | 55 |
| 60 | 80.8 | 257.4 | 105,000 | 82.9 | 255.0 | 85,900 | 60 |
| 65 | 79.7 | 256.3 | 103,000 | 81.7 | 253.8 | 82,900 | 65 |
| 70 | 78.5 | 255.0 | 101,200 | 80.5 | 252.6 | 80,200 | 70 |
| 75 | 77.4 | 253.6 | 99,400 | 79.4 | 251.2 | 77,600 | 75 |
| 80 | 76.2 | 252.2 | 97,700 | 78.2 | 249.7 | 75,200 | 80 |
| 85 | 75.0 | 250.6 | 96,000 | 77.0 | 248.1 | 72,900 | 85 |
| 90 | 73.9 | 248.9 | 94,500 | 75.8 | 246.4 | 70,800 | 90 |
| 95 | 72.7 | 247.1 | 92,900 | 74.6 | 244.5 | 68,800 | 95 |
| 100 | 71.5 | 245.1 | 89,800 | 73.4 | 242.6 | 66,900 | 100 |
| 105 | 70.3 | 243.1 | 86,800 | 72.2 | 240.5 | 65,100 | 105 |
| 110 | 69.0 | 240.9 | 83,900 | 70.9 | 238.3 | 63,500 | 110 |
| 115 | 67.8 | 238.6 | 79,400 | 69.7 | 236.0 | 61,900 | 115 |
| 120 | 66.6 | 236.1 | 75,400 | 68.4 | 233.5 | 60,400 | 120 |
| 125 | 65.3 | 233.5 | 71,700 | 67.2 | 230.9 | 59,000 | 125 |
| 130 | 64.0 | 230.8 | 68,300 | 65.9 | 228.1 | 57,700 | 130 |
| 135 | 62.7 | 228.0 | 65,200 | 64.6 | 225.2 | 56,400 | 135 |
| 140 | 61.4 | 224.9 | 62,300 | 63.3 | 222.2 | 55,200 | 140 |
| 145 | 60.1 | 221.7 | 59,700 | 61.9 | 218.9 | 54,000 | 145 |
| 150 | 58.8 | 218.4 | 57,200 | 60.5 | 215.6 | 52,900 | 150 |
| 155 | 57.4 | 214.9 | 54,200 | 59.2 | 212.0 | 51,900 | 155 |
| 160 | 56.0 | 211.2 | 51,300 | 57.7 | 208.2 | 50,900 | 160 |
| 165 | 54.6 | 207.3 | 48,600 | 56.3 | 204.3 | 49,800 | 165 |
| 170 | 53.1 | 203.2 | 46,100 | 54.8 | 200.1 | 47,200 | 170 |
| 175 | 51.7 | 198.9 | 43,700 | 53.3 | 195.7 | 44,700 | 175 |
| 180 | 50.2 | 194.3 | 41,500 | 51.8 | 191.1 | 42,400 | 180 |
| 185 | 48.6 | 189.5 | 39,400 | 50.2 | 186.2 | 40,200 | 185 |
| 190 | 47.0 | 184.4 | 37,300 | 48.6 | 181.0 | 38,200 | 190 |
| 195 | 45.4 | 179.1 | 35,400 | 46.9 | 175.5 | 36,200 | 195 |
| 200 | 43.7 | 173.4 | 33,600 | 45.2 | 169.7 | 34,300 | 200 |
| 205 | 41.9 | 167.3 | 31,900 | 43.4 | 163.5 | 32,600 | 205 |
| 210 | 40.1 | 160.9 | 30,300 | 41.5 | 156.9 | 30,900 | 210 |
| 215 | 38.2 | 154.0 | 28,700 | 39.6 | 149.8 | 29,200 | 215 |
| 220 | 36.2 | 146.5 | 27,200 | 37.5 | 142.2 | 27,700 | 220 |
| 225 | 34.1 | 138.5 | 25,800 | 35.3 | 133.9 | 26,200 | 225 |
| 230 | 31.8 | 129.7 | 24,400 | 33.0 | 124.8 | 24,700 | 230 |
| 235 | 29.4 | 120.1 | 23,100 | 30.4 | 114.7 | 23,300 | 235 |
| 240 | 26.7 | 109.3 | 21,800 | | | | 240 |
| 245 | 23.7 | 96.9 | 20,500 | | | | 245 |
| 250 | 20.3 | 82.2 | 19,300 | | | | 250 |

MLC300 S-2

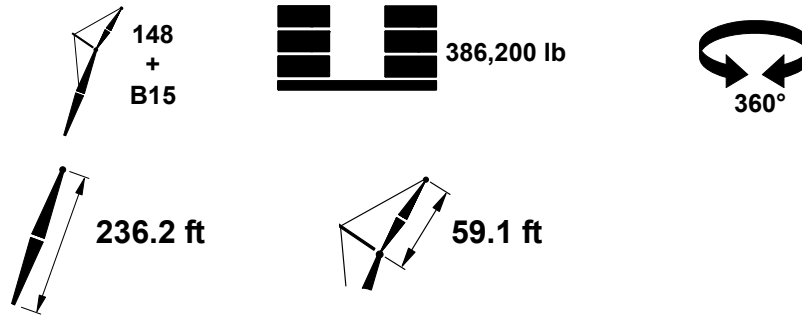
ASME B30.5



| | 10° | | | 20° | | | |
|-----|------|-------|---------|------|-------|--------|-----|
| | ft | ° | ft | lb | ft | lb | |
| 45 | 84.7 | 280.1 | 110,600 | | | | 45 |
| 50 | 83.6 | 279.3 | 108,700 | | | | 50 |
| 55 | 82.6 | 278.5 | 106,800 | 84.5 | 276.0 | 90,200 | 55 |
| 60 | 81.5 | 277.5 | 105,000 | 83.4 | 275.0 | 87,100 | 60 |
| 65 | 80.4 | 276.4 | 103,200 | 82.3 | 274.0 | 84,200 | 65 |
| 70 | 79.4 | 275.3 | 101,600 | 81.2 | 272.8 | 81,600 | 70 |
| 75 | 78.3 | 274.0 | 100,000 | 80.2 | 271.5 | 79,200 | 75 |
| 80 | 77.2 | 272.6 | 98,300 | 79.1 | 270.2 | 76,800 | 80 |
| 85 | 76.1 | 271.2 | 96,900 | 78.0 | 268.7 | 74,700 | 85 |
| 90 | 75.1 | 269.6 | 95,400 | 76.9 | 267.1 | 72,600 | 90 |
| 95 | 74.0 | 267.9 | 94,000 | 75.8 | 265.4 | 70,700 | 95 |
| 100 | 72.9 | 266.2 | 92,600 | 74.7 | 263.6 | 68,800 | 100 |
| 105 | 71.7 | 264.3 | 89,000 | 73.5 | 261.7 | 67,000 | 105 |
| 110 | 70.6 | 262.3 | 84,100 | 72.4 | 259.7 | 65,400 | 110 |
| 115 | 69.5 | 260.2 | 79,700 | 71.3 | 257.5 | 63,900 | 115 |
| 120 | 68.4 | 257.9 | 75,600 | 70.1 | 255.3 | 62,400 | 120 |
| 125 | 67.2 | 255.6 | 72,000 | 69.0 | 252.9 | 61,000 | 125 |
| 130 | 66.1 | 253.1 | 68,600 | 67.8 | 250.4 | 59,600 | 130 |
| 135 | 64.9 | 250.5 | 65,400 | 66.6 | 247.8 | 58,400 | 135 |
| 140 | 63.7 | 247.7 | 62,200 | 65.4 | 245.0 | 57,200 | 140 |
| 145 | 62.5 | 244.9 | 58,700 | 64.2 | 242.1 | 56,000 | 145 |
| 150 | 61.3 | 241.9 | 55,400 | 63.0 | 239.0 | 54,900 | 150 |
| 155 | 60.1 | 238.7 | 52,300 | 61.7 | 235.8 | 53,800 | 155 |
| 160 | 58.8 | 235.4 | 49,500 | 60.5 | 232.5 | 50,800 | 160 |
| 165 | 57.6 | 231.9 | 46,800 | 59.2 | 228.9 | 48,100 | 165 |
| 170 | 56.3 | 228.3 | 44,300 | 57.9 | 225.3 | 45,500 | 170 |
| 175 | 55.0 | 224.4 | 41,900 | 56.6 | 221.4 | 43,100 | 175 |
| 180 | 53.6 | 220.4 | 39,700 | 55.2 | 217.3 | 40,800 | 180 |
| 185 | 52.3 | 216.2 | 37,600 | 53.8 | 213.1 | 38,600 | 185 |
| 190 | 50.9 | 211.8 | 35,600 | 52.4 | 208.6 | 36,500 | 190 |
| 195 | 49.5 | 207.2 | 33,700 | 51.0 | 203.9 | 34,600 | 195 |
| 200 | 48.0 | 202.3 | 31,900 | 49.5 | 198.9 | 32,700 | 200 |
| 205 | 46.5 | 197.2 | 30,100 | 48.0 | 193.7 | 30,900 | 205 |
| 210 | 45.0 | 191.8 | 28,500 | 46.4 | 188.2 | 29,300 | 210 |
| 215 | 43.4 | 186.1 | 27,000 | 44.8 | 182.4 | 27,600 | 215 |
| 220 | 41.8 | 180.0 | 25,500 | 43.2 | 176.2 | 26,100 | 220 |
| 225 | 40.1 | 173.6 | 24,100 | 41.4 | 169.6 | 24,600 | 225 |
| 230 | 38.4 | 166.8 | 22,700 | 39.6 | 162.6 | 23,200 | 230 |
| 235 | 36.5 | 159.5 | 21,400 | 37.7 | 155.1 | 21,900 | 235 |
| 240 | 34.6 | 151.7 | 20,100 | 35.8 | 147.0 | 20,500 | 240 |
| 245 | 32.6 | 143.2 | 18,900 | 33.6 | 138.3 | 19,300 | 245 |
| 250 | 30.4 | 134.0 | 17,700 | 31.4 | 128.7 | 18,000 | 250 |
| 255 | 28.0 | 123.8 | 16,600 | 28.9 | 118.0 | 16,900 | 255 |
| 260 | 25.4 | 112.5 | 15,500 | | | | 260 |
| 270 | 19.2 | 83.9 | 13,400 | | | | 270 |

MLC300 S-2

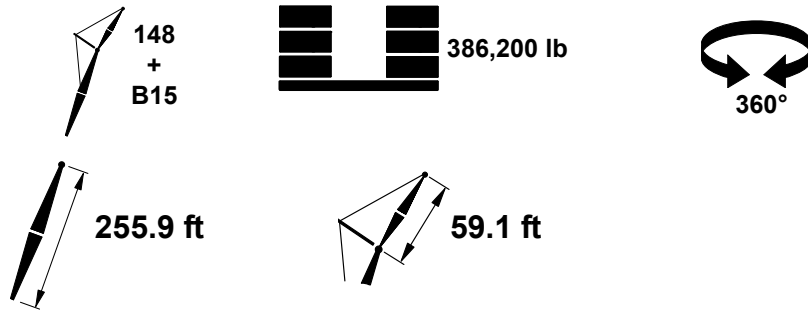
ASME B30.5



| ft | 10° | | | 20° | | | ft |
|-----|------|-------|---------|------|-------|--------|-----|
| | ° | ft | lb | ° | ft | lb | |
| 50 | 84.0 | 299.2 | 104,500 | 84.8 | 296.0 | 90,700 | 50 |
| 55 | 83.1 | 298.4 | 102,900 | 83.8 | 295.0 | 89,100 | 55 |
| 60 | 82.1 | 297.5 | 101,300 | 82.8 | 294.0 | 86,300 | 60 |
| 65 | 81.1 | 296.5 | 99,800 | 81.8 | 293.0 | 83,800 | 65 |
| 70 | 80.1 | 295.5 | 98,400 | 80.8 | 291.8 | 81,300 | 70 |
| 75 | 79.1 | 294.3 | 97,000 | 79.8 | 290.5 | 79,000 | 75 |
| 80 | 78.1 | 293.0 | 95,500 | 78.8 | 289.1 | 76,900 | 80 |
| 85 | 77.1 | 291.7 | 94,200 | 77.8 | 287.7 | 74,800 | 85 |
| 90 | 76.1 | 290.2 | 92,900 | 76.8 | 286.1 | 72,900 | 90 |
| 95 | 75.1 | 288.7 | 91,700 | 75.7 | 284.4 | 71,100 | 95 |
| 100 | 74.1 | 287.0 | 90,500 | 74.7 | 282.7 | 69,400 | 100 |
| 105 | 73.0 | 285.3 | 89,200 | 73.7 | 280.8 | 67,700 | 105 |
| 110 | 72.0 | 283.4 | 84,300 | 72.6 | 278.8 | 66,200 | 110 |
| 115 | 71.0 | 281.5 | 79,900 | 71.6 | 276.7 | 64,700 | 115 |
| 120 | 69.9 | 279.4 | 75,900 | 70.5 | 274.6 | 63,300 | 120 |
| 125 | 68.8 | 277.2 | 72,200 | 69.4 | 272.3 | 62,000 | 125 |
| 130 | 67.8 | 275.0 | 68,200 | 68.3 | 269.8 | 60,700 | 130 |
| 135 | 66.7 | 272.6 | 64,100 | 67.2 | 267.3 | 59,500 | 135 |
| 140 | 65.6 | 270.1 | 60,300 | 66.1 | 264.7 | 58,300 | 140 |
| 145 | 64.5 | 267.4 | 56,800 | 65.0 | 261.9 | 55,200 | 145 |
| 150 | 63.4 | 264.7 | 53,600 | 63.9 | 259.0 | 52,100 | 150 |
| 155 | 62.3 | 261.8 | 50,500 | 62.7 | 255.9 | 49,200 | 155 |
| 160 | 61.2 | 258.8 | 47,600 | 61.6 | 252.7 | 46,400 | 160 |
| 165 | 60.0 | 255.6 | 45,000 | 60.4 | 249.4 | 43,800 | 165 |
| 170 | 58.9 | 252.3 | 42,400 | 59.2 | 245.9 | 41,400 | 170 |
| 175 | 57.7 | 248.9 | 40,100 | 58.0 | 242.3 | 39,100 | 175 |
| 180 | 56.5 | 245.3 | 37,900 | 56.8 | 238.5 | 36,900 | 180 |
| 185 | 55.3 | 241.6 | 35,700 | 55.5 | 234.5 | 34,900 | 185 |
| 190 | 54.0 | 237.6 | 33,700 | 54.2 | 230.3 | 32,900 | 190 |
| 195 | 52.8 | 233.5 | 31,900 | 52.9 | 226.0 | 31,000 | 195 |
| 200 | 51.5 | 229.2 | 30,100 | 51.6 | 221.4 | 29,300 | 200 |
| 205 | 50.2 | 224.7 | 28,400 | 50.3 | 216.6 | 27,600 | 205 |
| 210 | 48.9 | 220.0 | 26,700 | 48.9 | 211.6 | 26,000 | 210 |
| 215 | 47.5 | 215.1 | 25,200 | 47.5 | 206.4 | 24,500 | 215 |
| 220 | 46.1 | 209.9 | 23,700 | 46.0 | 200.8 | 23,000 | 220 |
| 225 | 44.7 | 204.5 | 22,300 | 44.5 | 195.0 | 21,600 | 225 |
| 230 | 43.2 | 198.8 | 20,900 | 43.0 | 188.8 | 20,300 | 230 |
| 235 | 41.7 | 192.7 | 19,600 | 41.4 | 182.3 | 19,000 | 235 |
| 240 | 40.1 | 186.4 | 18,400 | 39.7 | 175.4 | 17,700 | 240 |
| 245 | 38.5 | 179.6 | 17,200 | 37.9 | 168.0 | 16,500 | 245 |
| 250 | 36.8 | 172.4 | 16,000 | 36.1 | 160.2 | 15,300 | 250 |
| 255 | 35.0 | 164.8 | 14,900 | 34.2 | 151.7 | 14,200 | 255 |
| 260 | 33.2 | 156.6 | 13,800 | 30.0 | 132.4 | 12,100 | 260 |
| 270 | 29.1 | 138.0 | 11,800 | | | | 270 |
| 280 | 24.3 | 115.4 | 9,900 | | | | 280 |

MLC300 S-2

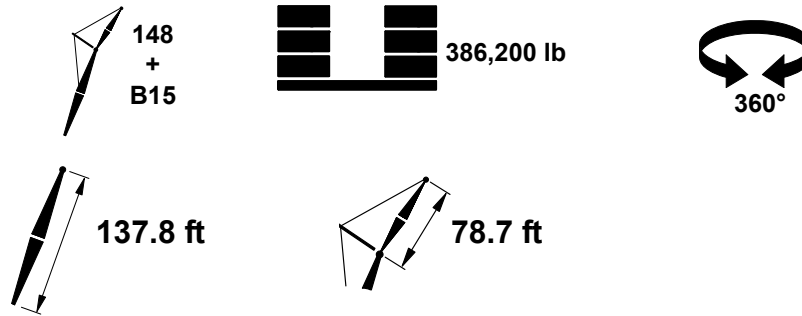
ASME B30.5



| | 10° | | | 20° | | | |
|-----|------|-------|---------|------|-------|--------|-----|
| | ft | ° | ft | lb | ° | ft | |
| 50 | 84.4 | 319.1 | 102,900 | | | | 50 |
| 55 | 83.5 | 318.4 | 101,500 | | | | 55 |
| 60 | 82.6 | 317.5 | 100,000 | 84.2 | 315.0 | 88,800 | 60 |
| 65 | 81.7 | 316.6 | 98,700 | 83.3 | 314.1 | 86,900 | 65 |
| 70 | 80.7 | 315.6 | 97,400 | 82.4 | 313.0 | 84,500 | 70 |
| 75 | 79.8 | 314.5 | 96,200 | 81.4 | 311.9 | 82,100 | 75 |
| 80 | 78.9 | 313.3 | 95,000 | 80.5 | 310.7 | 79,900 | 80 |
| 85 | 77.9 | 312.0 | 93,700 | 79.5 | 309.5 | 77,900 | 85 |
| 90 | 77.0 | 310.7 | 92,600 | 78.6 | 308.1 | 75,900 | 90 |
| 95 | 76.0 | 309.2 | 90,500 | 77.6 | 306.6 | 74,100 | 95 |
| 100 | 75.1 | 307.7 | 88,100 | 76.7 | 305.1 | 72,300 | 100 |
| 105 | 74.1 | 306.1 | 85,800 | 75.7 | 303.5 | 70,600 | 105 |
| 110 | 73.2 | 304.4 | 83,700 | 74.7 | 301.7 | 69,100 | 110 |
| 115 | 72.2 | 302.5 | 79,300 | 73.8 | 299.9 | 67,500 | 115 |
| 120 | 71.2 | 300.6 | 75,300 | 72.8 | 298.0 | 66,100 | 120 |
| 125 | 70.2 | 298.6 | 71,000 | 71.8 | 295.9 | 64,700 | 125 |
| 130 | 69.3 | 296.5 | 66,500 | 70.8 | 293.8 | 63,400 | 130 |
| 135 | 68.3 | 294.3 | 62,500 | 69.8 | 291.6 | 62,100 | 135 |
| 140 | 67.3 | 292.0 | 58,700 | 68.8 | 289.2 | 60,700 | 140 |
| 145 | 66.3 | 289.6 | 55,200 | 67.8 | 286.8 | 57,100 | 145 |
| 150 | 65.2 | 287.0 | 51,900 | 66.7 | 284.2 | 53,700 | 150 |
| 155 | 64.2 | 284.4 | 48,800 | 65.7 | 281.6 | 50,600 | 155 |
| 160 | 63.2 | 281.6 | 46,000 | 64.7 | 278.8 | 47,600 | 160 |
| 165 | 62.1 | 278.7 | 43,300 | 63.6 | 275.8 | 44,900 | 165 |
| 170 | 61.1 | 275.7 | 40,800 | 62.5 | 272.8 | 42,300 | 170 |
| 175 | 60.0 | 272.6 | 38,400 | 61.4 | 269.6 | 39,900 | 175 |
| 180 | 58.9 | 269.3 | 36,200 | 60.3 | 266.3 | 37,600 | 180 |
| 185 | 57.8 | 265.9 | 34,100 | 59.2 | 262.9 | 35,400 | 185 |
| 190 | 56.7 | 262.4 | 32,100 | 58.1 | 259.3 | 33,300 | 190 |
| 195 | 55.6 | 258.7 | 30,200 | 56.9 | 255.5 | 31,400 | 195 |
| 200 | 54.4 | 254.8 | 28,400 | 55.8 | 251.6 | 29,500 | 200 |
| 205 | 53.2 | 250.8 | 26,700 | 54.6 | 247.6 | 27,800 | 205 |
| 210 | 52.1 | 246.6 | 25,100 | 53.4 | 243.3 | 26,100 | 210 |
| 215 | 50.9 | 242.2 | 23,600 | 52.2 | 238.9 | 24,500 | 215 |
| 220 | 49.6 | 237.7 | 22,100 | 50.9 | 234.2 | 23,000 | 220 |
| 225 | 48.4 | 232.9 | 20,700 | 49.7 | 229.4 | 21,500 | 225 |
| 230 | 47.1 | 227.9 | 19,300 | 48.4 | 224.3 | 20,100 | 230 |
| 235 | 45.8 | 222.7 | 18,000 | 47.0 | 219.0 | 18,800 | 235 |
| 240 | 44.4 | 217.2 | 16,800 | 45.6 | 213.5 | 17,500 | 240 |
| 245 | 43.0 | 211.5 | 15,600 | 44.2 | 207.6 | 16,300 | 245 |
| 250 | 41.6 | 205.5 | 14,500 | 42.8 | 201.5 | 15,100 | 250 |
| 255 | 40.1 | 199.1 | 13,400 | 41.3 | 195.0 | 13,900 | 255 |
| 260 | 38.6 | 192.4 | 12,300 | 39.7 | 188.2 | 12,800 | 260 |
| 270 | 35.4 | 177.8 | 10,300 | 36.4 | 173.2 | 10,700 | 270 |
| 280 | 31.9 | 161.2 | 8,400 | 32.8 | 156.1 | 8,700 | 280 |
| 290 | 27.9 | 141.8 | 6,500 | 28.7 | 135.9 | 6,800 | 290 |

MLC300 S-2

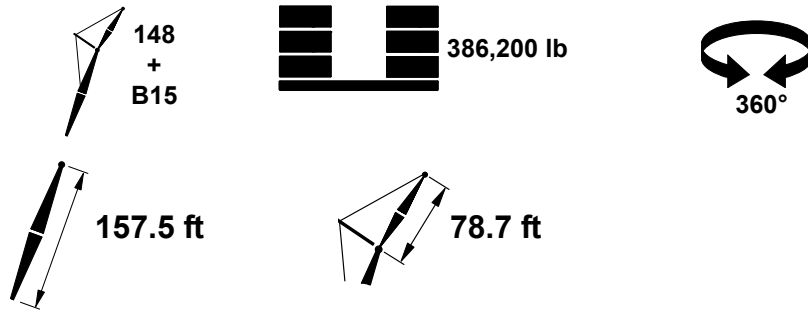
ASME B30.5



| | 10° | | | 20° | | | |
|-----|------|-------|--------|------|-------|--------|-----|
| | ft | ° | ft | lb | ft | lb | |
| 45 | 84.1 | 220.3 | 84,000 | | | | 45 |
| 50 | 82.7 | 219.3 | 81,900 | | | | 50 |
| 55 | 81.4 | 218.2 | 79,900 | 84.6 | 215.7 | 69,300 | 55 |
| 60 | 80.0 | 217.0 | 77,900 | 83.3 | 214.4 | 66,000 | 60 |
| 65 | 78.7 | 215.6 | 76,100 | 81.9 | 213.0 | 63,000 | 65 |
| 70 | 77.3 | 214.1 | 74,400 | 80.5 | 211.5 | 60,300 | 70 |
| 75 | 75.9 | 212.5 | 72,700 | 79.1 | 209.9 | 57,800 | 75 |
| 80 | 74.5 | 210.7 | 71,000 | 77.7 | 208.1 | 55,500 | 80 |
| 85 | 73.1 | 208.8 | 69,500 | 76.2 | 206.1 | 53,400 | 85 |
| 90 | 71.6 | 206.7 | 68,000 | 74.8 | 204.0 | 51,400 | 90 |
| 95 | 70.2 | 204.5 | 65,100 | 73.3 | 201.8 | 49,600 | 95 |
| 100 | 68.7 | 202.2 | 62,500 | 71.8 | 199.4 | 47,900 | 100 |
| 105 | 67.3 | 199.6 | 60,000 | 70.3 | 196.9 | 46,300 | 105 |
| 110 | 65.8 | 197.0 | 57,700 | 68.8 | 194.1 | 44,900 | 110 |
| 115 | 64.2 | 194.1 | 55,600 | 67.3 | 191.2 | 43,500 | 115 |
| 120 | 62.7 | 191.1 | 53,600 | 65.7 | 188.2 | 42,100 | 120 |
| 125 | 61.1 | 187.9 | 51,700 | 64.1 | 184.9 | 40,900 | 125 |
| 130 | 59.5 | 184.4 | 50,000 | 62.5 | 181.4 | 39,800 | 130 |
| 135 | 57.9 | 180.8 | 48,400 | 60.8 | 177.7 | 38,700 | 135 |
| 140 | 56.2 | 176.9 | 46,900 | 59.1 | 173.8 | 37,700 | 140 |
| 145 | 54.5 | 172.8 | 45,400 | 57.4 | 169.6 | 36,800 | 145 |
| 150 | 52.8 | 168.5 | 44,100 | 55.6 | 165.2 | 35,800 | 150 |
| 155 | 51.0 | 163.8 | 42,800 | 53.7 | 160.4 | 34,900 | 155 |
| 160 | 49.1 | 158.9 | 41,600 | 51.8 | 155.4 | 34,200 | 160 |
| 165 | 47.2 | 153.6 | 40,500 | 49.9 | 149.9 | 33,400 | 165 |
| 170 | 45.2 | 148.0 | 39,400 | 47.8 | 144.1 | 32,700 | 170 |
| 175 | 43.1 | 141.9 | 38,400 | 45.7 | 137.9 | 32,000 | 175 |
| 180 | 40.9 | 135.3 | 37,500 | 43.4 | 131.1 | 31,400 | 180 |
| 185 | 38.6 | 128.2 | 36,600 | 41.1 | 123.7 | 30,800 | 185 |
| 190 | 36.2 | 120.4 | 35,700 | 38.5 | 115.6 | 30,300 | 190 |
| 195 | 33.6 | 111.8 | 35,000 | 35.8 | 106.6 | 29,800 | 195 |
| 200 | 30.7 | 102.2 | 34,300 | 32.7 | 96.4 | 29,400 | 200 |
| 205 | 27.5 | 91.1 | 33,600 | 29.3 | 84.6 | 29,100 | 205 |
| 210 | 23.8 | 78.1 | 33,000 | | | | 210 |
| 215 | 19.2 | 61.5 | 32,400 | | | | 215 |

MLC300 S-2

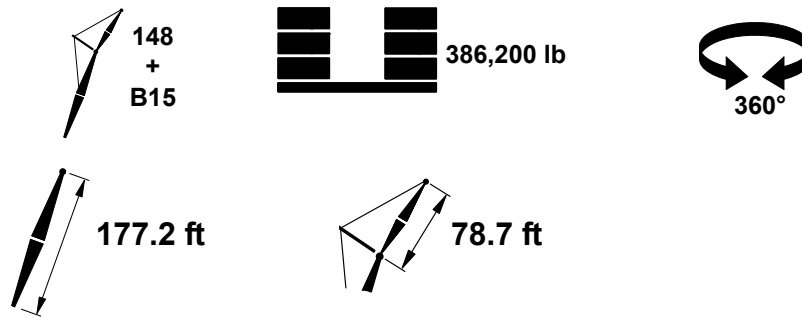
ASME B30.5



| | 10° | | | 20° | | | |
|-----|------|-------|--------|------|-------|--------|-----|
| | ft | ° | ft | lb | ft | lb | |
| 45 | 84.6 | 240.3 | 84,100 | | | | 45 |
| 50 | 83.4 | 239.4 | 82,200 | | | | 50 |
| 55 | 82.1 | 238.3 | 80,400 | | | | 55 |
| 60 | 80.9 | 237.2 | 78,600 | 83.9 | 234.6 | 67,200 | 60 |
| 65 | 79.6 | 236.0 | 77,000 | 82.6 | 233.3 | 64,400 | 65 |
| 70 | 78.4 | 234.6 | 75,300 | 81.3 | 231.9 | 61,800 | 70 |
| 75 | 77.1 | 233.1 | 73,800 | 80.0 | 230.4 | 59,400 | 75 |
| 80 | 75.8 | 231.5 | 72,200 | 78.8 | 228.8 | 57,200 | 80 |
| 85 | 74.6 | 229.8 | 70,800 | 77.5 | 227.0 | 55,100 | 85 |
| 90 | 73.3 | 227.9 | 69,400 | 76.1 | 225.1 | 53,200 | 90 |
| 95 | 72.0 | 225.9 | 68,100 | 74.8 | 223.1 | 51,400 | 95 |
| 100 | 70.6 | 223.8 | 65,900 | 73.5 | 221.0 | 49,800 | 100 |
| 105 | 69.3 | 221.5 | 63,400 | 72.1 | 218.7 | 48,200 | 105 |
| 110 | 68.0 | 219.1 | 61,100 | 70.8 | 216.2 | 46,700 | 110 |
| 115 | 66.6 | 216.6 | 58,900 | 69.4 | 213.6 | 45,300 | 115 |
| 120 | 65.2 | 213.9 | 56,900 | 68.0 | 210.9 | 44,100 | 120 |
| 125 | 63.8 | 211.0 | 55,000 | 66.6 | 208.0 | 42,800 | 125 |
| 130 | 62.4 | 208.0 | 53,200 | 65.2 | 204.9 | 41,700 | 130 |
| 135 | 61.0 | 204.8 | 51,500 | 63.7 | 201.7 | 40,600 | 135 |
| 140 | 59.5 | 201.4 | 50,000 | 62.2 | 198.2 | 39,600 | 140 |
| 145 | 58.0 | 197.8 | 48,500 | 60.7 | 194.6 | 38,600 | 145 |
| 150 | 56.5 | 194.0 | 47,100 | 59.1 | 190.8 | 37,700 | 150 |
| 155 | 55.0 | 190.0 | 45,800 | 57.6 | 186.7 | 36,800 | 155 |
| 160 | 53.4 | 185.8 | 44,500 | 56.0 | 182.4 | 36,000 | 160 |
| 165 | 51.8 | 181.4 | 43,400 | 54.3 | 177.8 | 35,200 | 165 |
| 170 | 50.1 | 176.6 | 42,200 | 52.6 | 173.0 | 34,500 | 170 |
| 175 | 48.4 | 171.6 | 41,200 | 50.8 | 167.9 | 33,800 | 175 |
| 180 | 46.6 | 166.3 | 40,200 | 49.0 | 162.4 | 33,100 | 180 |
| 185 | 44.8 | 160.6 | 39,300 | 47.2 | 156.6 | 32,500 | 185 |
| 190 | 42.9 | 154.5 | 38,300 | 45.2 | 150.4 | 31,900 | 190 |
| 195 | 40.9 | 148.0 | 37,500 | 43.1 | 143.7 | 31,400 | 195 |
| 200 | 38.8 | 141.0 | 36,700 | 41.0 | 136.4 | 30,900 | 200 |
| 205 | 36.6 | 133.5 | 35,900 | 38.7 | 128.5 | 30,300 | 205 |
| 210 | 34.2 | 125.2 | 35,200 | 36.3 | 119.9 | 29,900 | 210 |
| 215 | 31.7 | 116.0 | 33,600 | 33.6 | 110.3 | 29,500 | 215 |
| 220 | 29.0 | 105.8 | 32,100 | 30.7 | 99.4 | 29,200 | 220 |
| 225 | 25.9 | 94.1 | 30,600 | | | | 225 |
| 230 | 22.3 | 80.1 | 29,200 | | | | 230 |

MLC300 S-2

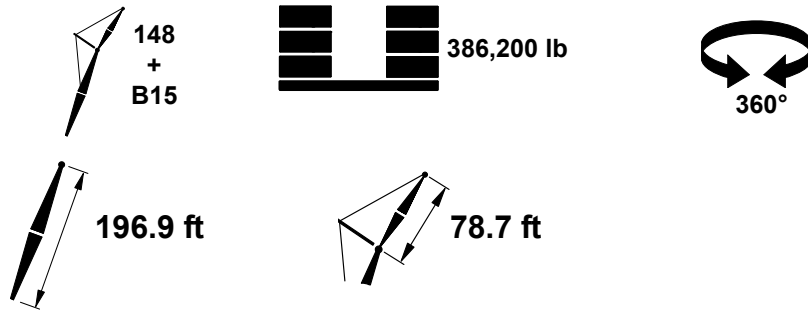
ASME B30.5



| ft | 10° | | | 20° | | | ft |
|-----|------|-------|--------|------|-------|--------|-----|
| | ° | ft | lb | ° | ft | lb | |
| 45 | 85.0 | 260.2 | 84,000 | | | | 45 |
| 50 | 83.9 | 259.3 | 82,300 | | | | 50 |
| 55 | 82.7 | 258.4 | 80,700 | | | | 55 |
| 60 | 81.6 | 257.3 | 79,100 | 84.3 | 254.6 | 68,200 | 60 |
| 65 | 80.4 | 256.2 | 77,500 | 83.2 | 253.4 | 65,500 | 65 |
| 70 | 79.3 | 254.9 | 76,000 | 82.0 | 252.2 | 63,000 | 70 |
| 75 | 78.1 | 253.6 | 74,600 | 80.8 | 250.8 | 60,800 | 75 |
| 80 | 77.0 | 252.1 | 73,200 | 79.7 | 249.3 | 58,600 | 80 |
| 85 | 75.8 | 250.5 | 71,800 | 78.5 | 247.7 | 56,600 | 85 |
| 90 | 74.6 | 248.8 | 70,600 | 77.3 | 246.0 | 54,800 | 90 |
| 95 | 73.4 | 247.0 | 69,300 | 76.1 | 244.1 | 53,000 | 95 |
| 100 | 72.2 | 245.1 | 68,100 | 74.9 | 242.2 | 51,400 | 100 |
| 105 | 71.0 | 243.0 | 66,500 | 73.6 | 240.1 | 49,900 | 105 |
| 110 | 69.8 | 240.8 | 64,200 | 72.4 | 237.9 | 48,400 | 110 |
| 115 | 68.6 | 238.5 | 62,000 | 71.2 | 235.5 | 47,100 | 115 |
| 120 | 67.3 | 236.1 | 59,900 | 69.9 | 233.1 | 45,800 | 120 |
| 125 | 66.1 | 233.5 | 58,000 | 68.6 | 230.4 | 44,600 | 125 |
| 130 | 64.8 | 230.8 | 56,200 | 67.3 | 227.7 | 43,400 | 130 |
| 135 | 63.5 | 227.9 | 54,500 | 66.0 | 224.8 | 42,300 | 135 |
| 140 | 62.2 | 224.9 | 52,900 | 64.7 | 221.7 | 41,300 | 140 |
| 145 | 60.9 | 221.7 | 51,300 | 63.3 | 218.5 | 40,300 | 145 |
| 150 | 59.5 | 218.3 | 50,000 | 62.0 | 215.1 | 39,400 | 150 |
| 155 | 58.1 | 214.8 | 48,600 | 60.6 | 211.5 | 38,600 | 155 |
| 160 | 56.8 | 211.1 | 47,300 | 59.2 | 207.7 | 37,700 | 160 |
| 165 | 55.3 | 207.2 | 46,000 | 57.7 | 203.8 | 36,900 | 165 |
| 170 | 53.9 | 203.1 | 44,900 | 56.3 | 199.6 | 36,200 | 170 |
| 175 | 52.4 | 198.8 | 43,800 | 54.8 | 195.2 | 35,500 | 175 |
| 180 | 50.9 | 194.2 | 42,800 | 53.2 | 190.5 | 34,800 | 180 |
| 185 | 49.3 | 189.4 | 41,800 | 51.6 | 185.6 | 34,100 | 185 |
| 190 | 47.8 | 184.4 | 40,600 | 50.0 | 180.4 | 33,400 | 190 |
| 195 | 46.1 | 179.0 | 38,700 | 48.3 | 175.0 | 32,900 | 195 |
| 200 | 44.4 | 173.3 | 36,900 | 46.6 | 169.1 | 32,400 | 200 |
| 205 | 42.7 | 167.2 | 35,200 | 44.8 | 162.9 | 31,800 | 205 |
| 210 | 40.8 | 160.8 | 33,500 | 42.9 | 156.3 | 31,300 | 210 |
| 215 | 38.9 | 153.9 | 32,000 | 40.9 | 149.1 | 30,800 | 215 |
| 220 | 36.9 | 146.4 | 30,400 | 38.9 | 141.4 | 30,400 | 220 |
| 225 | 34.8 | 138.4 | 29,000 | 36.7 | 133.1 | 29,600 | 225 |
| 230 | 32.5 | 129.6 | 27,600 | 34.3 | 123.9 | 28,100 | 230 |
| 235 | 30.1 | 120.0 | 26,300 | 31.7 | 113.7 | 26,700 | 235 |
| 240 | 27.4 | 109.1 | 25,000 | 28.9 | 102.2 | 25,300 | 240 |
| 245 | 24.5 | 96.7 | 23,700 | | | | 245 |
| 250 | 21.0 | 82.0 | 22,500 | | | | 250 |

MLC300 S-2

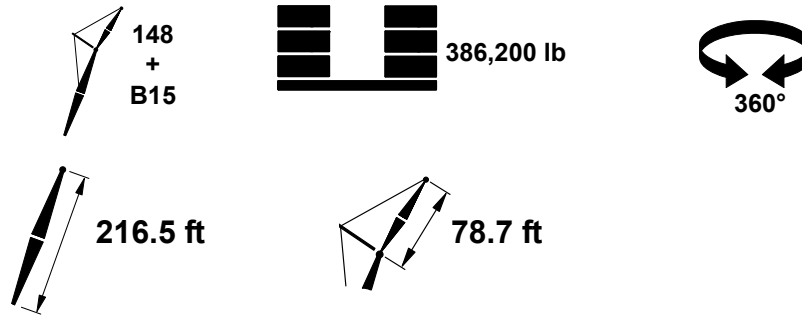
ASME B30.5



| | 10° | | | 20° | | | |
|-----|------|-------|--------|------|-------|--------|-----|
| | ft | ° | ft | lb | ft | lb | |
| 50 | 84.3 | 279.3 | 82,100 | | | | 50 |
| 55 | 83.3 | 278.4 | 80,600 | | | | 55 |
| 60 | 82.2 | 277.4 | 79,200 | 84.8 | 274.6 | 69,000 | 60 |
| 65 | 81.1 | 276.4 | 77,700 | 83.7 | 273.5 | 66,400 | 65 |
| 70 | 80.1 | 275.2 | 76,400 | 82.6 | 272.3 | 64,100 | 70 |
| 75 | 79.0 | 273.9 | 75,100 | 81.5 | 271.1 | 61,900 | 75 |
| 80 | 77.9 | 272.6 | 73,800 | 80.4 | 269.7 | 59,900 | 80 |
| 85 | 76.8 | 271.1 | 72,500 | 79.3 | 268.2 | 58,000 | 85 |
| 90 | 75.8 | 269.5 | 71,300 | 78.2 | 266.6 | 56,200 | 90 |
| 95 | 74.7 | 267.9 | 70,200 | 77.1 | 264.9 | 54,500 | 95 |
| 100 | 73.6 | 266.1 | 69,000 | 76.0 | 263.1 | 52,900 | 100 |
| 105 | 72.4 | 264.2 | 67,900 | 74.9 | 261.2 | 51,400 | 105 |
| 110 | 71.3 | 262.2 | 66,900 | 73.8 | 259.2 | 49,900 | 110 |
| 115 | 70.2 | 260.1 | 64,900 | 72.6 | 257.1 | 48,700 | 115 |
| 120 | 69.1 | 257.8 | 62,800 | 71.5 | 254.8 | 47,400 | 120 |
| 125 | 67.9 | 255.5 | 60,800 | 70.3 | 252.4 | 46,200 | 125 |
| 130 | 66.8 | 253.0 | 59,000 | 69.1 | 249.9 | 45,000 | 130 |
| 135 | 65.6 | 250.4 | 57,300 | 67.9 | 247.3 | 43,900 | 135 |
| 140 | 64.4 | 247.7 | 55,600 | 66.7 | 244.5 | 42,900 | 140 |
| 145 | 63.2 | 244.8 | 54,100 | 65.5 | 241.6 | 41,900 | 145 |
| 150 | 62.0 | 241.8 | 52,600 | 64.3 | 238.5 | 41,000 | 150 |
| 155 | 60.8 | 238.6 | 51,200 | 63.1 | 235.3 | 40,200 | 155 |
| 160 | 59.5 | 235.3 | 49,900 | 61.8 | 231.9 | 39,300 | 160 |
| 165 | 58.2 | 231.8 | 48,600 | 60.5 | 228.4 | 38,500 | 165 |
| 170 | 57.0 | 228.2 | 47,500 | 59.2 | 224.7 | 37,700 | 170 |
| 175 | 55.7 | 224.3 | 45,300 | 57.9 | 220.8 | 37,000 | 175 |
| 180 | 54.3 | 220.3 | 43,000 | 56.5 | 216.7 | 36,300 | 180 |
| 185 | 53.0 | 216.1 | 40,900 | 55.1 | 212.5 | 35,600 | 185 |
| 190 | 51.6 | 211.7 | 38,900 | 53.7 | 208.0 | 35,000 | 190 |
| 195 | 50.2 | 207.1 | 37,000 | 52.3 | 203.2 | 34,400 | 195 |
| 200 | 48.7 | 202.2 | 35,200 | 50.8 | 198.3 | 33,800 | 200 |
| 205 | 47.2 | 197.1 | 33,500 | 49.3 | 193.0 | 33,300 | 205 |
| 210 | 45.7 | 191.7 | 31,800 | 47.7 | 187.5 | 32,700 | 210 |
| 215 | 44.1 | 186.0 | 30,300 | 46.1 | 181.7 | 31,100 | 215 |
| 220 | 42.5 | 179.9 | 28,800 | 44.4 | 175.5 | 29,600 | 220 |
| 225 | 40.8 | 173.5 | 27,300 | 42.7 | 168.9 | 28,100 | 225 |
| 230 | 39.0 | 166.7 | 26,000 | 40.9 | 161.8 | 26,700 | 230 |
| 235 | 37.2 | 159.4 | 24,700 | 39.0 | 154.3 | 25,300 | 235 |
| 240 | 35.3 | 151.5 | 23,400 | 37.0 | 146.2 | 24,000 | 240 |
| 245 | 33.2 | 143.1 | 22,200 | 34.9 | 137.4 | 22,700 | 245 |
| 250 | 31.0 | 133.8 | 21,000 | 32.6 | 127.7 | 21,400 | 250 |
| 255 | 28.7 | 123.7 | 19,900 | 30.1 | 116.9 | 20,200 | 255 |
| 260 | 26.1 | 112.3 | 18,800 | | | | 260 |
| 270 | 19.8 | 83.6 | 16,600 | | | | 270 |

MLC300 S-2

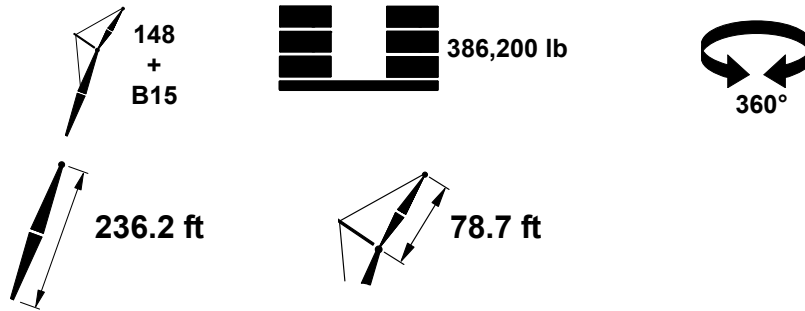
ASME B30.5



| ft | 10° | | | 20° | | | ft |
|-----|------|-------|--------|------|-------|--------|-----|
| | ° | ft | lb | ° | ft | lb | |
| 50 | 84.7 | 299.2 | 81,700 | | | | 50 |
| 55 | 83.7 | 298.3 | 80,400 | | | | 55 |
| 60 | 82.7 | 297.4 | 79,100 | | | | 60 |
| 65 | 81.7 | 296.5 | 77,700 | 84.1 | 293.5 | 67,200 | 65 |
| 70 | 80.7 | 295.4 | 76,500 | 83.1 | 292.5 | 65,000 | 70 |
| 75 | 79.8 | 294.2 | 75,300 | 82.1 | 291.3 | 62,900 | 75 |
| 80 | 78.8 | 292.9 | 74,100 | 81.1 | 290.0 | 61,000 | 80 |
| 85 | 77.7 | 291.6 | 73,000 | 80.1 | 288.6 | 59,100 | 85 |
| 90 | 76.7 | 290.1 | 71,900 | 79.1 | 287.1 | 57,400 | 90 |
| 95 | 75.7 | 288.6 | 70,800 | 78.0 | 285.6 | 55,700 | 95 |
| 100 | 74.7 | 286.9 | 69,800 | 77.0 | 283.9 | 54,200 | 100 |
| 105 | 73.7 | 285.2 | 68,700 | 76.0 | 282.1 | 52,700 | 105 |
| 110 | 72.6 | 283.3 | 67,700 | 74.9 | 280.3 | 51,400 | 110 |
| 115 | 71.6 | 281.4 | 66,800 | 73.9 | 278.3 | 50,000 | 115 |
| 120 | 70.6 | 279.3 | 65,400 | 72.8 | 276.2 | 48,800 | 120 |
| 125 | 69.5 | 277.1 | 63,500 | 71.7 | 274.0 | 47,600 | 125 |
| 130 | 68.4 | 274.9 | 61,600 | 70.7 | 271.7 | 46,500 | 130 |
| 135 | 67.4 | 272.5 | 59,900 | 69.6 | 269.3 | 45,400 | 135 |
| 140 | 66.3 | 270.0 | 58,200 | 68.5 | 266.8 | 44,500 | 140 |
| 145 | 65.2 | 267.3 | 56,600 | 67.4 | 264.1 | 43,400 | 145 |
| 150 | 64.1 | 264.6 | 55,200 | 66.2 | 261.3 | 42,500 | 150 |
| 155 | 62.9 | 261.7 | 53,800 | 65.1 | 258.4 | 41,700 | 155 |
| 160 | 61.8 | 258.7 | 51,000 | 64.0 | 255.3 | 40,800 | 160 |
| 165 | 60.7 | 255.5 | 48,300 | 62.8 | 252.1 | 40,000 | 165 |
| 170 | 59.5 | 252.2 | 45,800 | 61.6 | 248.8 | 39,200 | 170 |
| 175 | 58.3 | 248.8 | 43,500 | 60.4 | 245.3 | 38,500 | 175 |
| 180 | 57.1 | 245.2 | 41,200 | 59.2 | 241.7 | 37,800 | 180 |
| 185 | 55.9 | 241.5 | 39,100 | 58.0 | 237.9 | 37,100 | 185 |
| 190 | 54.7 | 237.5 | 37,100 | 56.7 | 233.9 | 36,400 | 190 |
| 195 | 53.4 | 233.4 | 35,200 | 55.5 | 229.7 | 35,800 | 195 |
| 200 | 52.2 | 229.1 | 33,400 | 54.2 | 225.3 | 34,600 | 200 |
| 205 | 50.9 | 224.6 | 31,700 | 52.8 | 220.7 | 32,900 | 205 |
| 210 | 49.5 | 219.9 | 30,000 | 51.5 | 216.0 | 31,200 | 210 |
| 215 | 48.2 | 215.0 | 28,500 | 50.1 | 210.9 | 29,500 | 215 |
| 220 | 46.8 | 209.8 | 27,000 | 48.7 | 205.6 | 28,000 | 220 |
| 225 | 45.3 | 204.4 | 25,600 | 47.2 | 200.1 | 26,500 | 225 |
| 230 | 43.9 | 198.7 | 24,200 | 45.7 | 194.2 | 25,100 | 230 |
| 235 | 42.3 | 192.6 | 22,900 | 44.1 | 188.0 | 23,700 | 235 |
| 240 | 40.8 | 186.2 | 21,700 | 42.5 | 181.5 | 22,400 | 240 |
| 245 | 39.1 | 179.5 | 20,500 | 40.8 | 174.6 | 21,200 | 245 |
| 250 | 37.4 | 172.3 | 19,300 | 39.1 | 167.1 | 19,900 | 250 |
| 255 | 35.7 | 164.6 | 18,200 | 37.3 | 159.2 | 18,800 | 255 |
| 260 | 33.8 | 156.4 | 17,100 | 35.3 | 150.7 | 17,600 | 260 |
| 270 | 29.7 | 137.8 | 15,000 | 31.0 | 131.2 | 15,400 | 270 |
| 280 | 24.9 | 115.2 | 13,100 | | | | 280 |
| 290 | 18.8 | 85.1 | 11,200 | | | | 290 |

MLC300 S-2

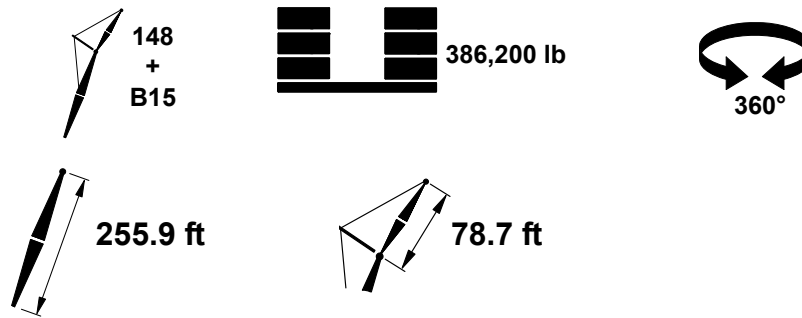
ASME B30.5



| | 10° | | | 20° | | | |
|-----|------|-------|--------|------|-------|--------|-----|
| | ft | ° | ft | lb | ° | ft | |
| 55 | 84.1 | 318.3 | 79,800 | | | | 55 |
| 60 | 83.2 | 317.4 | 78,600 | | | | 60 |
| 65 | 82.3 | 316.5 | 77,500 | 84.5 | 313.5 | 67,900 | 65 |
| 70 | 81.3 | 315.5 | 76,300 | 83.6 | 312.5 | 65,800 | 70 |
| 75 | 80.4 | 314.4 | 75,200 | 82.6 | 311.4 | 63,800 | 75 |
| 80 | 79.5 | 313.2 | 74,100 | 81.7 | 310.2 | 61,900 | 80 |
| 85 | 78.5 | 311.9 | 73,100 | 80.7 | 308.9 | 60,200 | 85 |
| 90 | 77.6 | 310.6 | 72,100 | 79.8 | 307.6 | 58,500 | 90 |
| 95 | 76.6 | 309.1 | 71,100 | 78.8 | 306.1 | 56,900 | 95 |
| 100 | 75.7 | 307.6 | 70,100 | 77.9 | 304.5 | 55,400 | 100 |
| 105 | 74.7 | 306.0 | 69,200 | 76.9 | 302.9 | 54,000 | 105 |
| 110 | 73.8 | 304.3 | 68,200 | 75.9 | 301.2 | 52,600 | 110 |
| 115 | 72.8 | 302.4 | 67,300 | 74.9 | 299.3 | 51,400 | 115 |
| 120 | 71.8 | 300.5 | 66,500 | 74.0 | 297.4 | 50,200 | 120 |
| 125 | 70.9 | 298.5 | 65,700 | 73.0 | 295.4 | 49,000 | 125 |
| 130 | 69.9 | 296.4 | 64,100 | 72.0 | 293.2 | 47,900 | 130 |
| 135 | 68.9 | 294.2 | 62,400 | 71.0 | 291.0 | 46,800 | 135 |
| 140 | 67.9 | 291.9 | 60,700 | 70.0 | 288.7 | 45,800 | 140 |
| 145 | 66.9 | 289.5 | 58,400 | 68.9 | 286.2 | 44,800 | 145 |
| 150 | 65.8 | 286.9 | 55,200 | 67.9 | 283.6 | 43,900 | 150 |
| 155 | 64.8 | 284.3 | 52,100 | 66.9 | 281.0 | 43,000 | 155 |
| 160 | 63.8 | 281.5 | 49,200 | 65.8 | 278.2 | 42,200 | 160 |
| 165 | 62.7 | 278.6 | 46,500 | 64.7 | 275.2 | 41,400 | 165 |
| 170 | 61.7 | 275.6 | 44,000 | 63.7 | 272.2 | 40,600 | 170 |
| 175 | 60.6 | 272.5 | 41,600 | 62.6 | 269.0 | 39,900 | 175 |
| 180 | 59.5 | 269.2 | 39,400 | 61.5 | 265.7 | 39,200 | 180 |
| 185 | 58.4 | 265.8 | 37,300 | 60.4 | 262.2 | 38,500 | 185 |
| 190 | 57.3 | 262.2 | 35,300 | 59.2 | 258.6 | 36,800 | 190 |
| 195 | 56.2 | 258.5 | 33,400 | 58.1 | 254.9 | 34,900 | 195 |
| 200 | 55.0 | 254.7 | 31,600 | 56.9 | 251.0 | 33,000 | 200 |
| 205 | 53.8 | 250.7 | 29,900 | 55.7 | 246.9 | 31,200 | 205 |
| 210 | 52.7 | 246.5 | 28,300 | 54.5 | 242.6 | 29,500 | 210 |
| 215 | 51.5 | 242.1 | 26,700 | 53.3 | 238.2 | 27,900 | 215 |
| 220 | 50.2 | 237.5 | 25,200 | 52.1 | 233.5 | 26,400 | 220 |
| 225 | 49.0 | 232.8 | 23,800 | 50.8 | 228.7 | 24,900 | 225 |
| 230 | 47.7 | 227.8 | 22,400 | 49.5 | 223.6 | 23,500 | 230 |
| 235 | 46.4 | 222.5 | 21,100 | 48.1 | 218.3 | 22,100 | 235 |
| 240 | 45.0 | 217.1 | 19,900 | 46.7 | 212.7 | 20,800 | 240 |
| 245 | 43.6 | 211.3 | 18,700 | 45.3 | 206.8 | 19,600 | 245 |
| 250 | 42.2 | 205.3 | 17,600 | 43.9 | 200.7 | 18,400 | 250 |
| 255 | 40.7 | 199.0 | 16,400 | 42.4 | 194.2 | 17,200 | 255 |
| 260 | 39.2 | 192.3 | 15,400 | 40.8 | 187.3 | 16,100 | 260 |
| 270 | 36.0 | 177.7 | 13,400 | 37.5 | 172.2 | 13,900 | 270 |
| 280 | 32.5 | 161.0 | 11,500 | 33.8 | 155.0 | 11,900 | 280 |
| 290 | 28.5 | 141.6 | 9,700 | 29.7 | 134.6 | 10,000 | 290 |
| 300 | 23.8 | 117.9 | 8,000 | | | | 300 |

MLC300 S-2

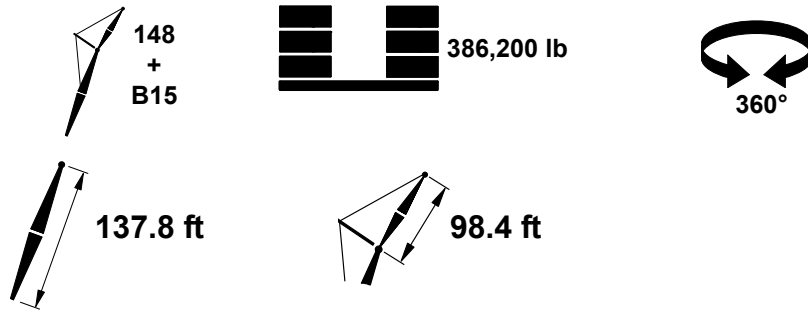
ASME B30.5



| | 10° | | | 20° | | | |
|-----|------|-------|--------|------|-------|--------|-----|
| | ft | ° | ft | lb | ft | lb | |
| 55 | 84.5 | 338.2 | 78,600 | | | | 55 |
| 60 | 83.6 | 337.4 | 77,600 | | | | 60 |
| 65 | 82.7 | 336.5 | 76,500 | 84.8 | 333.5 | 68,000 | 65 |
| 70 | 81.9 | 335.5 | 75,500 | 83.9 | 332.5 | 66,100 | 70 |
| 75 | 81.0 | 334.5 | 74,500 | 83.1 | 331.5 | 64,200 | 75 |
| 80 | 80.1 | 333.4 | 73,500 | 82.2 | 330.4 | 62,400 | 80 |
| 85 | 79.2 | 332.2 | 72,600 | 81.3 | 329.2 | 60,800 | 85 |
| 90 | 78.3 | 330.9 | 71,700 | 80.4 | 327.9 | 59,200 | 90 |
| 95 | 77.5 | 329.6 | 70,800 | 79.5 | 326.5 | 57,700 | 95 |
| 100 | 76.6 | 328.2 | 69,900 | 78.6 | 325.1 | 56,300 | 100 |
| 105 | 75.7 | 326.6 | 69,000 | 77.7 | 323.5 | 54,900 | 105 |
| 110 | 74.8 | 325.0 | 68,200 | 76.8 | 321.9 | 53,500 | 110 |
| 115 | 73.9 | 323.3 | 67,400 | 75.9 | 320.2 | 52,300 | 115 |
| 120 | 73.0 | 321.5 | 66,600 | 75.0 | 318.4 | 51,100 | 120 |
| 125 | 72.0 | 319.7 | 65,800 | 74.0 | 316.5 | 50,000 | 125 |
| 130 | 71.1 | 317.7 | 64,800 | 73.1 | 314.5 | 48,900 | 130 |
| 135 | 70.2 | 315.6 | 63,400 | 72.2 | 312.4 | 47,900 | 135 |
| 140 | 69.3 | 313.5 | 60,300 | 71.2 | 310.2 | 46,800 | 140 |
| 145 | 68.3 | 311.2 | 56,800 | 70.3 | 308.0 | 45,900 | 145 |
| 150 | 67.4 | 308.9 | 53,500 | 69.3 | 305.6 | 45,000 | 150 |
| 155 | 66.4 | 306.4 | 50,400 | 68.4 | 303.1 | 44,200 | 155 |
| 160 | 65.5 | 303.9 | 47,600 | 67.4 | 300.5 | 43,300 | 160 |
| 165 | 64.5 | 301.2 | 44,900 | 66.4 | 297.8 | 42,500 | 165 |
| 170 | 63.5 | 298.4 | 42,400 | 65.4 | 295.0 | 41,700 | 170 |
| 175 | 62.5 | 295.5 | 40,000 | 64.4 | 292.1 | 41,000 | 175 |
| 180 | 61.5 | 292.5 | 37,800 | 63.4 | 289.0 | 39,600 | 180 |
| 185 | 60.5 | 289.4 | 35,700 | 62.4 | 285.9 | 37,400 | 185 |
| 190 | 59.5 | 286.2 | 33,700 | 61.4 | 282.6 | 35,300 | 190 |
| 195 | 58.5 | 282.8 | 31,800 | 60.3 | 279.2 | 33,400 | 195 |
| 200 | 57.4 | 279.3 | 30,000 | 59.3 | 275.6 | 31,500 | 200 |
| 205 | 56.4 | 275.6 | 28,300 | 58.2 | 271.9 | 29,700 | 205 |
| 210 | 55.3 | 271.8 | 26,600 | 57.1 | 268.0 | 28,000 | 210 |
| 215 | 54.2 | 267.9 | 25,100 | 56.0 | 264.0 | 26,400 | 215 |
| 220 | 53.1 | 263.8 | 23,600 | 54.9 | 259.9 | 24,900 | 220 |
| 225 | 52.0 | 259.5 | 22,200 | 53.7 | 255.5 | 23,400 | 225 |
| 230 | 50.8 | 255.0 | 20,800 | 52.5 | 251.0 | 22,000 | 230 |
| 235 | 49.7 | 250.4 | 19,500 | 51.4 | 246.3 | 20,600 | 235 |
| 240 | 48.5 | 245.6 | 18,300 | 50.2 | 241.4 | 19,300 | 240 |
| 245 | 47.3 | 240.5 | 17,100 | 48.9 | 236.3 | 18,100 | 245 |
| 250 | 46.0 | 235.3 | 16,000 | 47.7 | 230.9 | 16,900 | 250 |
| 255 | 44.7 | 229.8 | 14,900 | 46.4 | 225.3 | 15,700 | 255 |
| 260 | 43.4 | 224.0 | 13,800 | 45.0 | 219.4 | 14,600 | 260 |
| 270 | 40.7 | 211.7 | 11,800 | 42.2 | 206.8 | 12,500 | 270 |
| 280 | 37.8 | 198.1 | 9,900 | 39.3 | 192.8 | 10,500 | 280 |
| 290 | 34.7 | 182.8 | 8,200 | 36.0 | 177.1 | 8,700 | 290 |
| 300 | 31.3 | 165.4 | 6,500 | 32.5 | 159.0 | 6,900 | 300 |

MLC300 S-2

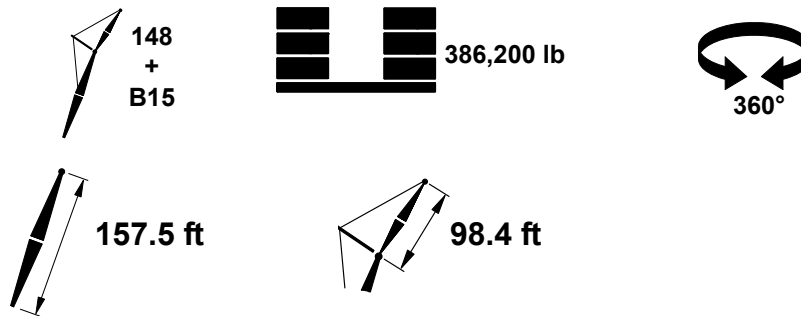
ASME B30.5



| | 10° | | | 20° | | | |
|-----|------|-------|--------|------|-------|--------|-----|
| | ft | ° | ft | lb | ft | lb | |
| 45 | 84.9 | 240.5 | 67,000 | | | | 45 |
| 50 | 83.7 | 239.6 | 65,400 | | | | 50 |
| 55 | 82.5 | 238.6 | 63,800 | | | | 55 |
| 60 | 81.2 | 237.4 | 62,300 | | | | 60 |
| 65 | 80.0 | 236.2 | 60,800 | | | | 65 |
| 70 | 78.7 | 234.8 | 59,400 | 83.8 | 233.6 | 53,800 | 70 |
| 75 | 77.5 | 233.3 | 58,000 | 81.2 | 230.7 | 50,700 | 75 |
| 80 | 76.2 | 231.7 | 56,300 | 79.9 | 229.0 | 48,500 | 80 |
| 85 | 74.9 | 230.0 | 54,800 | 78.6 | 227.3 | 46,500 | 85 |
| 90 | 73.6 | 228.1 | 53,300 | 77.3 | 225.4 | 44,700 | 90 |
| 95 | 72.3 | 226.1 | 51,900 | 76.0 | 223.4 | 43,000 | 95 |
| 100 | 71.0 | 224.0 | 50,600 | 74.7 | 221.2 | 41,300 | 100 |
| 105 | 69.7 | 221.8 | 49,300 | 73.3 | 218.9 | 39,900 | 105 |
| 110 | 68.3 | 219.4 | 48,000 | 72.0 | 216.5 | 38,400 | 110 |
| 115 | 67.0 | 216.8 | 46,900 | 70.6 | 213.9 | 37,200 | 115 |
| 120 | 65.6 | 214.1 | 45,700 | 69.2 | 211.2 | 35,900 | 120 |
| 125 | 64.2 | 211.3 | 44,600 | 67.8 | 208.3 | 34,800 | 125 |
| 130 | 62.8 | 208.2 | 43,200 | 66.3 | 205.2 | 33,700 | 130 |
| 135 | 61.4 | 205.0 | 41,700 | 64.9 | 202.0 | 32,700 | 135 |
| 140 | 59.9 | 201.7 | 40,200 | 63.4 | 198.6 | 31,700 | 140 |
| 145 | 58.4 | 198.1 | 38,900 | 61.9 | 194.9 | 30,900 | 145 |
| 150 | 56.9 | 194.3 | 37,700 | 60.4 | 191.1 | 30,000 | 150 |
| 155 | 55.4 | 190.3 | 36,400 | 58.8 | 187.0 | 29,200 | 155 |
| 160 | 53.8 | 186.1 | 35,300 | 57.2 | 182.7 | 28,400 | 160 |
| 165 | 52.1 | 181.7 | 34,300 | 55.5 | 178.2 | 27,700 | 165 |
| 170 | 50.5 | 177.0 | 33,300 | 53.8 | 173.4 | 27,000 | 170 |
| 175 | 48.8 | 171.9 | 32,400 | 52.1 | 168.3 | 26,400 | 175 |
| 180 | 47.0 | 166.6 | 31,500 | 50.3 | 162.8 | 25,800 | 180 |
| 185 | 45.2 | 161.0 | 30,700 | 48.4 | 157.0 | 25,100 | 185 |
| 190 | 43.3 | 154.9 | 29,900 | 46.4 | 150.8 | 24,600 | 190 |
| 195 | 41.3 | 148.4 | 29,100 | 44.4 | 144.1 | 24,100 | 195 |
| 200 | 39.2 | 141.4 | 28,300 | 42.2 | 136.9 | 23,600 | 200 |
| 205 | 37.0 | 133.9 | 27,700 | 40.0 | 129.0 | 23,100 | 205 |
| 210 | 34.7 | 125.6 | 27,000 | 37.5 | 120.4 | 22,700 | 210 |
| 215 | 32.2 | 116.5 | 26,400 | 34.9 | 110.9 | 22,300 | 215 |
| 220 | 29.4 | 106.3 | 25,800 | 32.0 | 100.1 | 22,000 | 220 |
| 225 | 26.4 | 94.7 | 25,300 | 28.7 | 87.5 | 21,700 | 225 |
| 230 | 22.8 | 80.9 | 24,800 | | | | 230 |
| 235 | 18.4 | 63.4 | 24,300 | | | | 235 |

MLC300 S-2

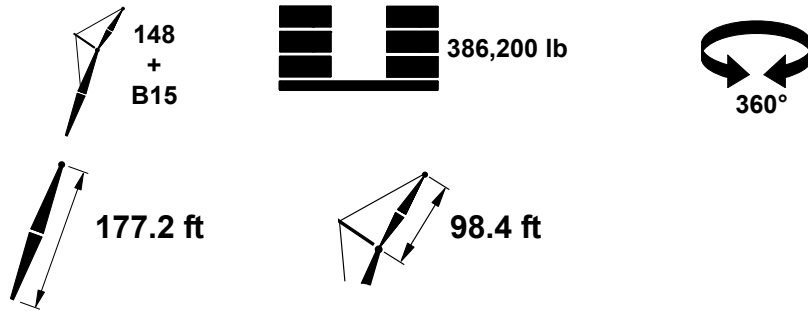
ASME B30.5



| | 10° | | | 20° | | | |
|-----|------|-------|--------|------|-------|--------|-----|
| | ft | ° | ft | lb | ft | lb | |
| 50 | 84.2 | 259.6 | 65,500 | | | | 50 |
| 55 | 83.1 | 258.6 | 64,100 | | | | 55 |
| 60 | 81.9 | 257.6 | 62,700 | | | | 60 |
| 65 | 80.8 | 256.4 | 61,400 | 84.3 | 253.7 | 54,100 | 65 |
| 70 | 79.6 | 255.2 | 60,100 | 83.1 | 252.4 | 52,900 | 70 |
| 75 | 78.5 | 253.8 | 58,800 | 81.9 | 251.0 | 51,600 | 75 |
| 80 | 77.3 | 252.3 | 57,400 | 80.7 | 249.5 | 49,700 | 80 |
| 85 | 76.1 | 250.7 | 56,000 | 79.6 | 247.9 | 47,800 | 85 |
| 90 | 74.9 | 249.0 | 54,600 | 78.4 | 246.2 | 46,000 | 90 |
| 95 | 73.8 | 247.2 | 53,200 | 77.2 | 244.4 | 44,400 | 95 |
| 100 | 72.6 | 245.3 | 52,000 | 75.9 | 242.4 | 42,800 | 100 |
| 105 | 71.3 | 243.2 | 50,800 | 74.7 | 240.3 | 41,400 | 105 |
| 110 | 70.1 | 241.1 | 49,600 | 73.5 | 238.1 | 40,000 | 110 |
| 115 | 68.9 | 238.7 | 48,400 | 72.2 | 235.8 | 38,700 | 115 |
| 120 | 67.7 | 236.3 | 47,300 | 71.0 | 233.3 | 37,500 | 120 |
| 125 | 66.4 | 233.7 | 46,300 | 69.7 | 230.7 | 36,300 | 125 |
| 130 | 65.1 | 231.0 | 45,300 | 68.4 | 227.9 | 35,300 | 130 |
| 135 | 63.8 | 228.1 | 44,200 | 67.1 | 225.0 | 34,200 | 135 |
| 140 | 62.5 | 225.1 | 42,800 | 65.8 | 222.0 | 33,300 | 140 |
| 145 | 61.2 | 221.9 | 41,400 | 64.4 | 218.7 | 32,400 | 145 |
| 150 | 59.9 | 218.6 | 40,200 | 63.1 | 215.3 | 31,500 | 150 |
| 155 | 58.5 | 215.1 | 38,900 | 61.7 | 211.8 | 30,700 | 155 |
| 160 | 57.1 | 211.4 | 37,800 | 60.3 | 208.0 | 29,900 | 160 |
| 165 | 55.7 | 207.5 | 36,700 | 58.8 | 204.0 | 29,200 | 165 |
| 170 | 54.2 | 203.4 | 35,600 | 57.4 | 199.9 | 28,500 | 170 |
| 175 | 52.8 | 199.1 | 34,700 | 55.9 | 195.5 | 27,800 | 175 |
| 180 | 51.3 | 194.5 | 33,700 | 54.3 | 190.8 | 27,200 | 180 |
| 185 | 49.7 | 189.7 | 32,900 | 52.7 | 185.9 | 26,600 | 185 |
| 190 | 48.1 | 184.7 | 32,000 | 51.1 | 180.8 | 26,000 | 190 |
| 195 | 46.5 | 179.3 | 31,200 | 49.4 | 175.3 | 25,500 | 195 |
| 200 | 44.8 | 173.6 | 30,500 | 47.7 | 169.4 | 24,900 | 200 |
| 205 | 43.0 | 167.6 | 29,800 | 45.9 | 163.2 | 24,500 | 205 |
| 210 | 41.2 | 161.1 | 29,000 | 44.0 | 156.6 | 24,000 | 210 |
| 215 | 39.3 | 154.2 | 28,400 | 42.1 | 149.5 | 23,600 | 215 |
| 220 | 37.3 | 146.8 | 27,800 | 40.0 | 141.8 | 23,100 | 220 |
| 225 | 35.2 | 138.8 | 27,200 | 37.8 | 133.5 | 22,700 | 225 |
| 230 | 33.0 | 130.1 | 26,600 | 35.5 | 124.4 | 22,400 | 230 |
| 235 | 30.5 | 120.5 | 26,000 | 32.9 | 114.2 | 22,100 | 235 |
| 240 | 27.9 | 109.7 | 25,600 | 30.1 | 102.8 | 21,800 | 240 |
| 245 | 24.9 | 97.4 | 25,100 | 26.9 | 89.4 | 21,500 | 245 |
| 250 | 21.5 | 82.7 | 24,600 | | | | 250 |
| 255 | 17.1 | 64.1 | 24,300 | | | | 255 |

MLC300 S-2

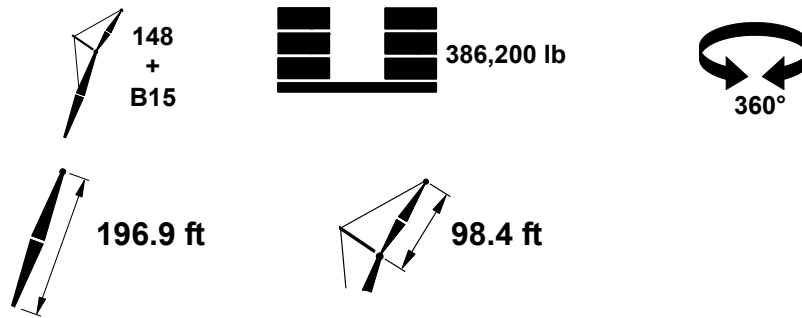
ASME B30.5



| | 10° | | | 20° | | | |
|-----|------|-------|--------|------|-------|--------|-----|
| | ft | ° | ft | lb | ft | lb | |
| 50 | 84.6 | 279.5 | 65,500 | | | | 50 |
| 55 | 83.6 | 278.6 | 64,200 | | | | 55 |
| 60 | 82.5 | 277.6 | 62,900 | | | | 60 |
| 65 | 81.4 | 276.6 | 61,700 | 84.7 | 273.7 | 54,300 | 65 |
| 70 | 80.4 | 275.4 | 60,500 | 83.6 | 272.5 | 53,200 | 70 |
| 75 | 79.3 | 274.2 | 59,300 | 82.5 | 271.2 | 52,100 | 75 |
| 80 | 78.2 | 272.8 | 58,100 | 81.4 | 269.9 | 50,800 | 80 |
| 85 | 77.2 | 271.3 | 56,900 | 80.3 | 268.4 | 49,000 | 85 |
| 90 | 76.1 | 269.8 | 55,700 | 79.2 | 266.8 | 47,200 | 90 |
| 95 | 75.0 | 268.1 | 54,400 | 78.1 | 265.1 | 45,600 | 95 |
| 100 | 73.9 | 266.3 | 53,200 | 77.0 | 263.3 | 44,100 | 100 |
| 105 | 72.8 | 264.4 | 52,000 | 75.9 | 261.4 | 42,700 | 105 |
| 110 | 71.6 | 262.4 | 50,800 | 74.8 | 259.4 | 41,300 | 110 |
| 115 | 70.5 | 260.3 | 49,800 | 73.6 | 257.2 | 40,100 | 115 |
| 120 | 69.4 | 258.1 | 48,700 | 72.5 | 255.0 | 38,900 | 120 |
| 125 | 68.2 | 255.7 | 47,700 | 71.3 | 252.6 | 37,800 | 125 |
| 130 | 67.1 | 253.2 | 46,700 | 70.1 | 250.1 | 36,700 | 130 |
| 135 | 65.9 | 250.6 | 45,700 | 69.0 | 247.5 | 35,700 | 135 |
| 140 | 64.7 | 247.9 | 44,800 | 67.8 | 244.7 | 34,700 | 140 |
| 145 | 63.5 | 245.0 | 43,900 | 66.5 | 241.8 | 33,800 | 145 |
| 150 | 62.3 | 242.0 | 42,600 | 65.3 | 238.7 | 33,000 | 150 |
| 155 | 61.1 | 238.9 | 41,300 | 64.1 | 235.5 | 32,100 | 155 |
| 160 | 59.8 | 235.5 | 40,100 | 62.8 | 232.1 | 31,400 | 160 |
| 165 | 58.6 | 232.1 | 39,000 | 61.5 | 228.6 | 30,600 | 165 |
| 170 | 57.3 | 228.4 | 37,900 | 60.2 | 224.9 | 29,900 | 170 |
| 175 | 56.0 | 224.6 | 36,900 | 58.9 | 221.0 | 29,200 | 175 |
| 180 | 54.7 | 220.6 | 36,000 | 57.5 | 217.0 | 28,600 | 180 |
| 185 | 53.3 | 216.4 | 35,000 | 56.2 | 212.7 | 28,000 | 185 |
| 190 | 51.9 | 212.0 | 34,200 | 54.7 | 208.2 | 27,400 | 190 |
| 195 | 50.5 | 207.4 | 33,300 | 53.3 | 203.5 | 26,800 | 195 |
| 200 | 49.1 | 202.5 | 32,500 | 51.8 | 198.5 | 26,300 | 200 |
| 205 | 47.6 | 197.4 | 31,800 | 50.3 | 193.3 | 25,700 | 205 |
| 210 | 46.0 | 192.0 | 31,000 | 48.7 | 187.8 | 25,300 | 210 |
| 215 | 44.5 | 186.3 | 30,300 | 47.1 | 181.9 | 24,800 | 215 |
| 220 | 42.8 | 180.3 | 29,700 | 45.5 | 175.7 | 24,400 | 220 |
| 225 | 41.2 | 173.9 | 29,000 | 43.7 | 169.2 | 23,900 | 225 |
| 230 | 39.4 | 167.0 | 28,400 | 41.9 | 162.1 | 23,600 | 230 |
| 235 | 37.6 | 159.8 | 27,500 | 40.0 | 154.6 | 23,100 | 235 |
| 240 | 35.6 | 151.9 | 26,300 | 38.0 | 146.5 | 22,800 | 240 |
| 245 | 33.6 | 143.5 | 25,100 | 35.9 | 137.7 | 22,500 | 245 |
| 250 | 31.4 | 134.3 | 23,900 | 33.6 | 128.1 | 22,200 | 250 |
| 255 | 29.1 | 124.2 | 22,800 | 31.2 | 117.4 | 21,900 | 255 |
| 260 | 26.5 | 112.8 | 21,700 | 28.4 | 105.2 | 21,600 | 260 |
| 270 | 20.2 | 84.4 | 19,500 | | | | 270 |

MLC300 S-2

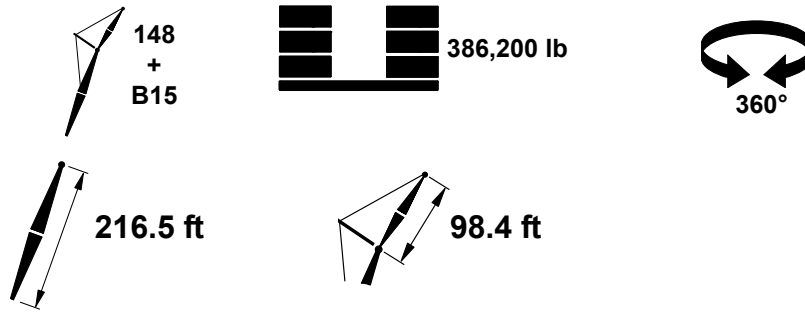
ASME B30.5



| ft | 10° | | | 20° | | | ft |
|-----|------|-------|--------|------|-------|--------|-----|
| | ft | lb | ft | ft | lb | ft | |
| 50 | 85.0 | 299.4 | 65,200 | | | | 50 |
| 55 | 84.0 | 298.6 | 64,000 | | | | 55 |
| 60 | 83.0 | 297.7 | 62,900 | | | | 60 |
| 65 | 82.0 | 296.7 | 61,800 | | | | 65 |
| 70 | 81.0 | 295.6 | 60,700 | 84.0 | 292.6 | 53,300 | 70 |
| 75 | 80.0 | 294.4 | 59,700 | 83.0 | 291.4 | 52,300 | 75 |
| 80 | 79.0 | 293.1 | 58,600 | 82.0 | 290.1 | 51,300 | 80 |
| 85 | 78.0 | 291.8 | 57,500 | 81.0 | 288.8 | 50,000 | 85 |
| 90 | 77.0 | 290.3 | 56,400 | 80.0 | 287.3 | 48,300 | 90 |
| 95 | 76.0 | 288.8 | 55,300 | 79.0 | 285.7 | 46,700 | 95 |
| 100 | 75.0 | 287.1 | 54,100 | 77.9 | 284.1 | 45,300 | 100 |
| 105 | 74.0 | 285.4 | 53,000 | 76.9 | 282.3 | 43,900 | 105 |
| 110 | 72.9 | 283.5 | 51,900 | 75.9 | 280.4 | 42,500 | 110 |
| 115 | 71.9 | 281.6 | 50,900 | 74.8 | 278.4 | 41,300 | 115 |
| 120 | 70.8 | 279.5 | 49,900 | 73.7 | 276.4 | 40,200 | 120 |
| 125 | 69.8 | 277.4 | 48,900 | 72.7 | 274.2 | 39,000 | 125 |
| 130 | 68.7 | 275.1 | 47,900 | 71.6 | 271.9 | 38,000 | 130 |
| 135 | 67.6 | 272.7 | 47,100 | 70.5 | 269.4 | 37,000 | 135 |
| 140 | 66.6 | 270.2 | 46,100 | 69.4 | 266.9 | 36,000 | 140 |
| 145 | 65.5 | 267.6 | 45,300 | 68.3 | 264.2 | 35,100 | 145 |
| 150 | 64.4 | 264.8 | 44,400 | 67.2 | 261.5 | 34,300 | 150 |
| 155 | 63.2 | 261.9 | 43,500 | 66.0 | 258.5 | 33,400 | 155 |
| 160 | 62.1 | 258.9 | 42,300 | 64.9 | 255.5 | 32,700 | 160 |
| 165 | 61.0 | 255.8 | 41,200 | 63.7 | 252.3 | 31,900 | 165 |
| 170 | 59.8 | 252.5 | 40,100 | 62.6 | 249.0 | 31,200 | 170 |
| 175 | 58.6 | 249.1 | 39,000 | 61.4 | 245.5 | 30,500 | 175 |
| 180 | 57.4 | 245.5 | 38,000 | 60.2 | 241.8 | 29,900 | 180 |
| 185 | 56.2 | 241.7 | 37,100 | 58.9 | 238.0 | 29,200 | 185 |
| 190 | 55.0 | 237.8 | 36,200 | 57.7 | 234.0 | 28,600 | 190 |
| 195 | 53.7 | 233.7 | 35,300 | 56.4 | 229.9 | 28,100 | 195 |
| 200 | 52.5 | 229.4 | 34,500 | 55.1 | 225.5 | 27,500 | 200 |
| 205 | 51.2 | 224.9 | 33,700 | 53.8 | 220.9 | 27,000 | 205 |
| 210 | 49.8 | 220.2 | 32,900 | 52.4 | 216.1 | 26,500 | 210 |
| 215 | 48.5 | 215.3 | 31,400 | 51.0 | 211.1 | 26,000 | 215 |
| 220 | 47.1 | 210.1 | 29,900 | 49.6 | 205.8 | 25,600 | 220 |
| 225 | 45.7 | 204.7 | 28,500 | 48.2 | 200.3 | 25,100 | 225 |
| 230 | 44.2 | 199.0 | 27,100 | 46.6 | 194.4 | 24,700 | 230 |
| 235 | 42.7 | 192.9 | 25,800 | 45.1 | 188.3 | 24,300 | 235 |
| 240 | 41.1 | 186.6 | 24,600 | 43.5 | 181.7 | 23,900 | 240 |
| 245 | 39.5 | 179.8 | 23,400 | 41.8 | 174.8 | 23,500 | 245 |
| 250 | 37.8 | 172.7 | 22,200 | 40.1 | 167.4 | 23,000 | 250 |
| 255 | 36.0 | 165.0 | 21,100 | 38.2 | 159.5 | 21,800 | 255 |
| 260 | 34.1 | 156.8 | 20,000 | 36.3 | 150.9 | 20,700 | 260 |
| 270 | 30.1 | 138.3 | 18,000 | 32.0 | 131.6 | 18,500 | 270 |
| 280 | 25.3 | 115.7 | 16,100 | 26.9 | 107.5 | 16,400 | 280 |
| 290 | 19.2 | 85.9 | 14,200 | | | | 290 |

MLC300 S-2

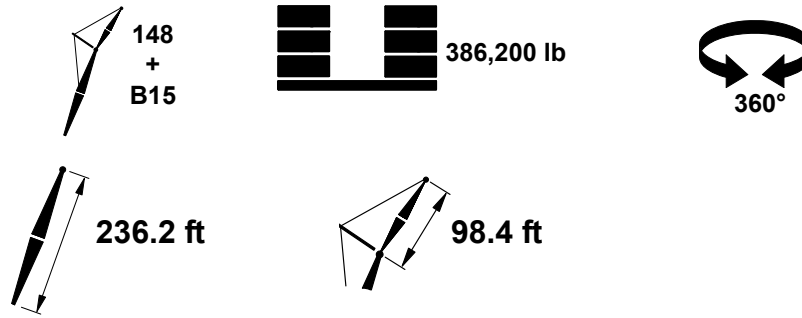
ASME B30.5



| | 10° | | | 20° | | | |
|-----|------|-------|--------|------|-------|--------|-----|
| | ft | ° | ft | lb | ft | lb | |
| 55 | 84.4 | 318.5 | 63,700 | | | | 55 |
| 60 | 83.5 | 317.6 | 62,800 | | | | 60 |
| 65 | 82.5 | 316.7 | 61,700 | | | | 65 |
| 70 | 81.6 | 315.7 | 60,700 | 84.4 | 312.6 | 53,400 | 70 |
| 75 | 80.7 | 314.6 | 59,700 | 83.5 | 311.5 | 52,400 | 75 |
| 80 | 79.7 | 313.4 | 58,800 | 82.5 | 310.3 | 51,500 | 80 |
| 85 | 78.8 | 312.1 | 57,900 | 81.6 | 309.0 | 50,700 | 85 |
| 90 | 77.9 | 310.8 | 56,800 | 80.6 | 307.7 | 49,200 | 90 |
| 95 | 76.9 | 309.3 | 55,900 | 79.7 | 306.2 | 47,700 | 95 |
| 100 | 76.0 | 307.8 | 54,900 | 78.7 | 304.6 | 46,300 | 100 |
| 105 | 75.0 | 306.2 | 53,800 | 77.8 | 303.0 | 44,900 | 105 |
| 110 | 74.0 | 304.5 | 52,800 | 76.8 | 301.3 | 43,700 | 110 |
| 115 | 73.1 | 302.7 | 51,800 | 75.8 | 299.4 | 42,400 | 115 |
| 120 | 72.1 | 300.7 | 50,800 | 74.8 | 297.5 | 41,300 | 120 |
| 125 | 71.1 | 298.7 | 49,900 | 73.8 | 295.5 | 40,200 | 125 |
| 130 | 70.1 | 296.6 | 49,000 | 72.8 | 293.3 | 39,200 | 130 |
| 135 | 69.2 | 294.4 | 48,100 | 71.8 | 291.1 | 38,200 | 135 |
| 140 | 68.2 | 292.1 | 47,300 | 70.8 | 288.8 | 37,200 | 140 |
| 145 | 67.1 | 289.7 | 46,400 | 69.8 | 286.3 | 36,400 | 145 |
| 150 | 66.1 | 287.1 | 45,600 | 68.8 | 283.7 | 35,500 | 150 |
| 155 | 65.1 | 284.5 | 44,900 | 67.7 | 281.1 | 34,700 | 155 |
| 160 | 64.1 | 281.7 | 44,100 | 66.7 | 278.3 | 33,900 | 160 |
| 165 | 63.0 | 278.8 | 43,300 | 65.6 | 275.3 | 33,200 | 165 |
| 170 | 61.9 | 275.8 | 42,100 | 64.5 | 272.3 | 32,400 | 170 |
| 175 | 60.9 | 272.7 | 41,100 | 63.5 | 269.1 | 31,800 | 175 |
| 180 | 59.8 | 269.4 | 40,100 | 62.4 | 265.8 | 31,100 | 180 |
| 185 | 58.7 | 266.0 | 39,100 | 61.2 | 262.4 | 30,500 | 185 |
| 190 | 57.6 | 262.5 | 38,200 | 60.1 | 258.8 | 29,900 | 190 |
| 195 | 56.4 | 258.8 | 36,300 | 59.0 | 255.0 | 29,300 | 195 |
| 200 | 55.3 | 254.9 | 34,500 | 57.8 | 251.1 | 28,700 | 200 |
| 205 | 54.1 | 250.9 | 32,800 | 56.6 | 247.0 | 28,200 | 205 |
| 210 | 52.9 | 246.7 | 31,100 | 55.4 | 242.7 | 27,700 | 210 |
| 215 | 51.7 | 242.4 | 29,600 | 54.2 | 238.3 | 27,200 | 215 |
| 220 | 50.5 | 237.8 | 28,100 | 52.9 | 233.7 | 26,700 | 220 |
| 225 | 49.3 | 233.0 | 26,700 | 51.7 | 228.8 | 26,200 | 225 |
| 230 | 48.0 | 228.0 | 25,300 | 50.3 | 223.7 | 25,800 | 230 |
| 235 | 46.7 | 222.8 | 24,000 | 49.0 | 218.4 | 25,200 | 235 |
| 240 | 45.3 | 217.4 | 22,800 | 47.6 | 212.8 | 23,900 | 240 |
| 245 | 43.9 | 211.7 | 21,600 | 46.2 | 207.0 | 22,600 | 245 |
| 250 | 42.5 | 205.6 | 20,500 | 44.8 | 200.8 | 21,400 | 250 |
| 255 | 41.0 | 199.3 | 19,400 | 43.3 | 194.3 | 20,300 | 255 |
| 260 | 39.5 | 192.6 | 18,300 | 41.7 | 187.4 | 19,100 | 260 |
| 270 | 36.3 | 178.0 | 16,300 | 38.4 | 172.4 | 17,000 | 270 |
| 280 | 32.8 | 161.4 | 14,400 | 34.7 | 155.2 | 15,000 | 280 |
| 290 | 28.8 | 142.0 | 12,600 | 30.6 | 134.8 | 13,100 | 290 |
| 300 | 24.2 | 118.5 | 10,900 | | | | 300 |
| 310 | 18.2 | 87.1 | 9,300 | | | | 310 |

MLC300 S-2

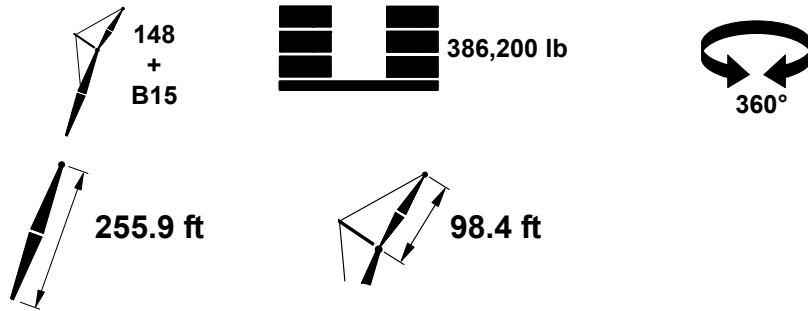
ASME B30.5



| | 10° | | | 20° | | | |
|-----|------|-------|--------|------|-------|--------|-----|
| | ft | ° | ft | lb | ft | lb | |
| 55 | 84.7 | 338.4 | 63,300 | | | | 55 |
| 60 | 83.8 | 337.6 | 62,300 | | | | 60 |
| 65 | 83.0 | 336.7 | 61,500 | | | | 65 |
| 70 | 82.1 | 335.7 | 60,500 | 84.8 | 332.6 | 53,300 | 70 |
| 75 | 81.2 | 334.7 | 59,600 | 83.9 | 331.5 | 52,400 | 75 |
| 80 | 80.4 | 333.6 | 58,800 | 83.0 | 330.4 | 51,700 | 80 |
| 85 | 79.5 | 332.4 | 57,900 | 82.1 | 329.2 | 50,800 | 85 |
| 90 | 78.6 | 331.1 | 57,100 | 81.2 | 327.9 | 50,000 | 90 |
| 95 | 77.7 | 329.8 | 56,200 | 80.3 | 326.6 | 48,600 | 95 |
| 100 | 76.8 | 328.4 | 55,300 | 79.4 | 325.1 | 47,200 | 100 |
| 105 | 75.9 | 326.8 | 54,500 | 78.5 | 323.6 | 45,900 | 105 |
| 110 | 75.0 | 325.2 | 53,500 | 77.6 | 322.0 | 44,700 | 110 |
| 115 | 74.1 | 323.5 | 52,500 | 76.7 | 320.3 | 43,500 | 115 |
| 120 | 73.2 | 321.8 | 51,600 | 75.8 | 318.5 | 42,400 | 120 |
| 125 | 72.3 | 319.9 | 50,800 | 74.9 | 316.6 | 41,300 | 125 |
| 130 | 71.4 | 317.9 | 49,900 | 73.9 | 314.6 | 40,300 | 130 |
| 135 | 70.5 | 315.9 | 49,100 | 73.0 | 312.5 | 39,300 | 135 |
| 140 | 69.5 | 313.7 | 48,200 | 72.1 | 310.3 | 38,400 | 140 |
| 145 | 68.6 | 311.5 | 47,400 | 71.1 | 308.0 | 37,500 | 145 |
| 150 | 67.6 | 309.1 | 46,700 | 70.2 | 305.7 | 36,700 | 150 |
| 155 | 66.7 | 306.6 | 45,900 | 69.2 | 303.2 | 35,800 | 155 |
| 160 | 65.7 | 304.1 | 45,200 | 68.2 | 300.6 | 35,000 | 160 |
| 165 | 64.8 | 301.4 | 44,500 | 67.2 | 297.9 | 34,300 | 165 |
| 170 | 63.8 | 298.7 | 43,800 | 66.2 | 295.1 | 33,600 | 170 |
| 175 | 62.8 | 295.8 | 42,700 | 65.2 | 292.2 | 32,900 | 175 |
| 180 | 61.8 | 292.8 | 40,500 | 64.2 | 289.1 | 32,200 | 180 |
| 185 | 60.8 | 289.6 | 38,300 | 63.2 | 286.0 | 31,600 | 185 |
| 190 | 59.8 | 286.4 | 36,400 | 62.2 | 282.7 | 31,000 | 190 |
| 195 | 58.7 | 283.0 | 34,500 | 61.1 | 279.2 | 30,400 | 195 |
| 200 | 57.7 | 279.5 | 32,700 | 60.1 | 275.7 | 29,900 | 200 |
| 205 | 56.6 | 275.8 | 31,000 | 59.0 | 272.0 | 29,300 | 205 |
| 210 | 55.6 | 272.1 | 29,300 | 57.9 | 268.1 | 28,800 | 210 |
| 215 | 54.5 | 268.1 | 27,800 | 56.8 | 264.1 | 28,300 | 215 |
| 220 | 53.4 | 264.0 | 26,300 | 55.7 | 260.0 | 27,800 | 220 |
| 225 | 52.2 | 259.7 | 24,900 | 54.5 | 255.6 | 26,400 | 225 |
| 230 | 51.1 | 255.3 | 23,600 | 53.4 | 251.1 | 24,900 | 230 |
| 235 | 49.9 | 250.7 | 22,300 | 52.2 | 246.4 | 23,600 | 235 |
| 240 | 48.7 | 245.8 | 21,000 | 51.0 | 241.5 | 22,300 | 240 |
| 245 | 47.5 | 240.8 | 19,800 | 49.7 | 236.4 | 21,000 | 245 |
| 250 | 46.3 | 235.6 | 18,700 | 48.5 | 231.0 | 19,800 | 250 |
| 255 | 45.0 | 230.1 | 17,600 | 47.2 | 225.4 | 18,700 | 255 |
| 260 | 43.7 | 224.3 | 16,500 | 45.9 | 219.5 | 17,600 | 260 |
| 270 | 41.0 | 212.0 | 14,500 | 43.1 | 206.9 | 15,400 | 270 |
| 280 | 38.1 | 198.4 | 12,700 | 40.1 | 192.9 | 13,500 | 280 |
| 290 | 35.0 | 183.1 | 10,900 | 36.9 | 177.2 | 11,600 | 290 |
| 300 | 31.6 | 165.8 | 9,300 | 33.3 | 159.2 | 9,800 | 300 |
| 310 | 27.7 | 145.6 | 7,700 | 29.3 | 138.0 | 8,100 | 310 |

MLC300 S-2

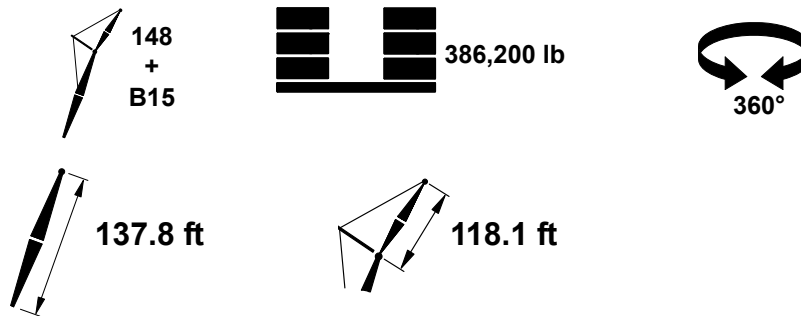
ASME B30.5



| | 10° | | | 20° | | | |
|-----|------|-------|--------|------|-------|--------|-----|
| | ft | ° | ft | lb | ft | lb | |
| 60 | 84.2 | 357.5 | 61,500 | | | | 60 |
| 65 | 83.4 | 356.7 | 60,700 | | | | 65 |
| 70 | 82.6 | 355.8 | 59,900 | | | | 70 |
| 75 | 81.7 | 354.8 | 59,000 | 84.2 | 351.6 | 52,200 | 75 |
| 80 | 80.9 | 353.7 | 58,200 | 83.4 | 350.5 | 51,400 | 80 |
| 85 | 80.1 | 352.6 | 57,500 | 82.6 | 349.4 | 50,700 | 85 |
| 90 | 79.2 | 351.4 | 56,700 | 81.7 | 348.2 | 50,000 | 90 |
| 95 | 78.4 | 350.2 | 56,000 | 80.9 | 346.9 | 49,200 | 95 |
| 100 | 77.6 | 348.8 | 55,200 | 80.0 | 345.5 | 47,800 | 100 |
| 105 | 76.7 | 347.4 | 54,400 | 79.2 | 344.1 | 46,600 | 105 |
| 110 | 75.9 | 345.9 | 53,600 | 78.3 | 342.5 | 45,400 | 110 |
| 115 | 75.0 | 344.3 | 52,800 | 77.5 | 340.9 | 44,200 | 115 |
| 120 | 74.2 | 342.6 | 52,000 | 76.6 | 339.2 | 43,100 | 120 |
| 125 | 73.3 | 340.8 | 51,100 | 75.8 | 337.5 | 42,100 | 125 |
| 130 | 72.5 | 339.0 | 50,300 | 74.9 | 335.6 | 41,100 | 130 |
| 135 | 71.6 | 337.1 | 49,600 | 74.0 | 333.7 | 40,200 | 135 |
| 140 | 70.7 | 335.1 | 48,800 | 73.1 | 331.6 | 39,200 | 140 |
| 145 | 69.9 | 333.0 | 48,000 | 72.2 | 329.5 | 38,400 | 145 |
| 150 | 69.0 | 330.8 | 47,300 | 71.4 | 327.3 | 37,500 | 150 |
| 155 | 68.1 | 328.5 | 46,600 | 70.5 | 325.0 | 36,700 | 155 |
| 160 | 67.2 | 326.1 | 45,900 | 69.6 | 322.6 | 36,000 | 160 |
| 165 | 66.3 | 323.6 | 45,200 | 68.6 | 320.1 | 35,200 | 165 |
| 170 | 65.4 | 321.0 | 43,400 | 67.7 | 317.5 | 34,500 | 170 |
| 175 | 64.5 | 318.4 | 41,000 | 66.8 | 314.7 | 33,900 | 175 |
| 180 | 63.5 | 315.6 | 38,800 | 65.9 | 311.9 | 33,200 | 180 |
| 185 | 62.6 | 312.7 | 36,700 | 64.9 | 309.0 | 32,500 | 185 |
| 190 | 61.7 | 309.7 | 34,700 | 64.0 | 306.0 | 32,000 | 190 |
| 195 | 60.7 | 306.6 | 32,800 | 63.0 | 302.8 | 31,400 | 195 |
| 200 | 59.8 | 303.3 | 31,000 | 62.0 | 299.5 | 30,800 | 200 |
| 205 | 58.8 | 300.0 | 29,300 | 61.0 | 296.1 | 30,300 | 205 |
| 210 | 57.8 | 296.5 | 27,700 | 60.0 | 292.6 | 29,500 | 210 |
| 215 | 56.8 | 292.9 | 26,200 | 59.0 | 289.0 | 27,900 | 215 |
| 220 | 55.8 | 289.2 | 24,700 | 58.0 | 285.2 | 26,400 | 220 |
| 225 | 54.8 | 285.3 | 23,300 | 57.0 | 281.2 | 24,900 | 225 |
| 230 | 53.7 | 281.2 | 21,900 | 55.9 | 277.1 | 23,500 | 230 |
| 235 | 52.7 | 277.1 | 20,600 | 54.8 | 272.9 | 22,100 | 235 |
| 240 | 51.6 | 272.7 | 19,400 | 53.8 | 268.5 | 20,800 | 240 |
| 245 | 50.5 | 268.2 | 18,200 | 52.7 | 263.9 | 19,600 | 245 |
| 250 | 49.4 | 263.5 | 17,100 | 51.5 | 259.1 | 18,400 | 250 |
| 255 | 48.3 | 258.7 | 16,000 | 50.4 | 254.2 | 17,200 | 255 |
| 260 | 47.1 | 253.6 | 14,900 | 49.2 | 249.0 | 16,100 | 260 |
| 270 | 44.8 | 242.8 | 12,900 | 46.8 | 238.0 | 14,000 | 270 |
| 280 | 42.3 | 231.0 | 11,100 | 44.2 | 226.0 | 12,000 | 280 |
| 290 | 39.6 | 218.2 | 9,300 | 41.5 | 212.8 | 10,200 | 290 |
| 300 | 36.8 | 203.9 | 7,700 | 38.6 | 198.2 | 8,400 | 300 |
| 310 | | | | 35.5 | 181.8 | 6,800 | 310 |

MLC300 S-2

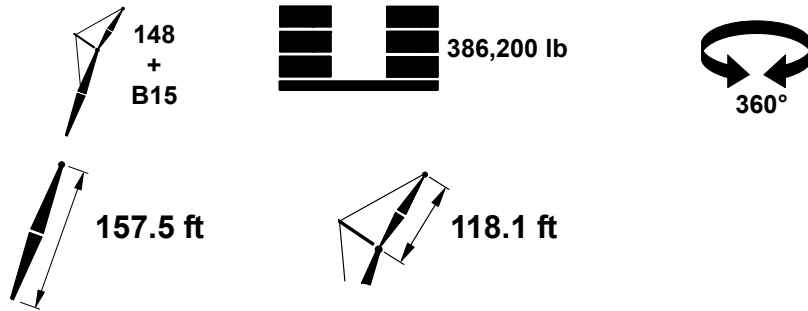
ASME B30.5



| ft | 10° | | | 20° | | | ft |
|-----|------|-------|--------|------|-------|--------|-----|
| | ft | lb | ft | ft | lb | ft | |
| 55 | 84.2 | 258.4 | 51,000 | | | | 55 |
| 60 | 83.1 | 257.4 | 49,700 | | | | 60 |
| 65 | 81.9 | 256.2 | 48,300 | | | | 65 |
| 70 | 80.8 | 254.9 | 47,000 | 85.0 | 251.9 | 41,000 | 70 |
| 75 | 79.6 | 253.6 | 45,700 | 83.8 | 250.5 | 40,000 | 75 |
| 80 | 78.5 | 252.1 | 44,400 | 82.6 | 249.0 | 38,900 | 80 |
| 85 | 77.3 | 250.5 | 43,100 | 81.4 | 247.4 | 37,900 | 85 |
| 90 | 76.1 | 248.8 | 41,900 | 80.2 | 245.7 | 36,800 | 90 |
| 95 | 74.9 | 247.0 | 40,700 | 79.0 | 243.8 | 35,900 | 95 |
| 100 | 73.7 | 245.1 | 39,600 | 77.8 | 241.9 | 35,000 | 100 |
| 105 | 72.5 | 243.0 | 38,400 | 76.6 | 239.8 | 33,800 | 105 |
| 110 | 71.3 | 240.8 | 37,400 | 75.4 | 237.6 | 32,500 | 110 |
| 115 | 70.1 | 238.5 | 36,400 | 74.1 | 235.2 | 31,400 | 115 |
| 120 | 68.8 | 236.1 | 35,400 | 72.8 | 232.7 | 30,400 | 120 |
| 125 | 67.6 | 233.5 | 34,400 | 71.6 | 230.1 | 29,400 | 125 |
| 130 | 66.3 | 230.8 | 33,500 | 70.3 | 227.4 | 28,500 | 130 |
| 135 | 65.0 | 227.9 | 32,600 | 69.0 | 224.4 | 27,600 | 135 |
| 140 | 63.7 | 224.9 | 31,700 | 67.6 | 221.4 | 26,700 | 140 |
| 145 | 62.4 | 221.7 | 30,800 | 66.3 | 218.1 | 25,900 | 145 |
| 150 | 61.0 | 218.3 | 30,100 | 64.9 | 214.7 | 25,200 | 150 |
| 155 | 59.6 | 214.8 | 29,300 | 63.5 | 211.2 | 24,500 | 155 |
| 160 | 58.3 | 211.1 | 28,500 | 62.1 | 207.4 | 23,800 | 160 |
| 165 | 56.8 | 207.2 | 27,800 | 60.7 | 203.4 | 23,200 | 165 |
| 170 | 55.4 | 203.1 | 27,100 | 59.2 | 199.2 | 22,500 | 170 |
| 175 | 53.9 | 198.8 | 26,500 | 57.7 | 194.8 | 21,900 | 175 |
| 180 | 52.4 | 194.2 | 25,800 | 56.1 | 190.2 | 21,400 | 180 |
| 185 | 50.8 | 189.4 | 25,200 | 54.6 | 185.2 | 20,800 | 185 |
| 190 | 49.3 | 184.4 | 24,600 | 52.9 | 180.0 | 20,400 | 190 |
| 195 | 47.6 | 179.0 | 24,100 | 51.2 | 174.5 | 19,900 | 195 |
| 200 | 45.9 | 173.3 | 23,600 | 49.5 | 168.7 | 19,400 | 200 |
| 205 | 44.2 | 167.2 | 23,100 | 47.7 | 162.5 | 19,000 | 205 |
| 210 | 42.3 | 160.8 | 22,600 | 45.8 | 155.8 | 18,600 | 210 |
| 215 | 40.4 | 153.9 | 22,100 | 43.8 | 148.6 | 18,200 | 215 |
| 220 | 38.4 | 146.5 | 21,600 | 41.7 | 140.9 | 17,900 | 220 |
| 225 | 36.3 | 138.4 | 21,100 | 39.5 | 132.5 | 17,500 | 225 |
| 230 | 34.1 | 129.6 | 20,600 | 37.2 | 123.3 | 17,200 | 230 |
| 235 | 31.6 | 120.0 | 20,200 | 34.6 | 113.1 | 16,900 | 235 |
| 240 | 29.0 | 109.2 | 19,700 | 31.7 | 101.5 | 16,600 | 240 |
| 245 | 26.0 | 96.8 | 19,300 | 28.5 | 87.9 | 16,400 | 245 |
| 250 | 22.5 | 82.0 | 19,000 | | | | 250 |
| 255 | 18.1 | 63.1 | 18,600 | | | | 255 |

MLC300 S-2

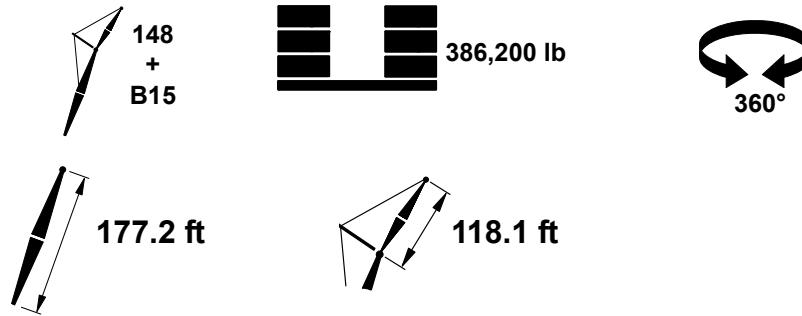
ASME B30.5



| ft | 10° | | | 20° | | | ft |
|-----|------|-------|--------|------|-------|--------|-----|
| | ° | ft | lb | ° | ft | lb | |
| 55 | 84.7 | 278.4 | 51,200 | | | | 55 |
| 60 | 83.6 | 277.4 | 50,000 | | | | 60 |
| 65 | 82.5 | 276.3 | 48,700 | | | | 65 |
| 70 | 81.5 | 275.2 | 47,500 | | | | 70 |
| 75 | 80.4 | 273.9 | 46,300 | 84.3 | 270.6 | 40,200 | 75 |
| 80 | 79.3 | 272.5 | 45,100 | 83.2 | 269.3 | 39,300 | 80 |
| 85 | 78.2 | 271.1 | 43,900 | 82.1 | 267.8 | 38,300 | 85 |
| 90 | 77.1 | 269.5 | 42,800 | 81.0 | 266.2 | 37,400 | 90 |
| 95 | 76.0 | 267.8 | 41,700 | 79.9 | 264.5 | 36,500 | 95 |
| 100 | 74.9 | 266.1 | 40,600 | 78.8 | 262.7 | 35,600 | 100 |
| 105 | 73.8 | 264.2 | 39,600 | 77.6 | 260.8 | 34,700 | 105 |
| 110 | 72.7 | 262.2 | 38,500 | 76.5 | 258.8 | 33,600 | 110 |
| 115 | 71.6 | 260.0 | 37,500 | 75.4 | 256.6 | 32,600 | 115 |
| 120 | 70.5 | 257.8 | 36,600 | 74.2 | 254.3 | 31,500 | 120 |
| 125 | 69.3 | 255.5 | 35,600 | 73.0 | 252.0 | 30,500 | 125 |
| 130 | 68.1 | 253.0 | 34,800 | 71.9 | 249.4 | 29,600 | 130 |
| 135 | 67.0 | 250.4 | 33,900 | 70.7 | 246.8 | 28,700 | 135 |
| 140 | 65.8 | 247.6 | 33,000 | 69.5 | 244.0 | 27,900 | 140 |
| 145 | 64.6 | 244.8 | 32,200 | 68.3 | 241.1 | 27,100 | 145 |
| 150 | 63.4 | 241.7 | 31,500 | 67.0 | 238.0 | 26,300 | 150 |
| 155 | 62.1 | 238.6 | 30,700 | 65.8 | 234.8 | 25,600 | 155 |
| 160 | 60.9 | 235.3 | 30,000 | 64.5 | 231.4 | 25,000 | 160 |
| 165 | 59.6 | 231.8 | 29,200 | 63.2 | 227.9 | 24,300 | 165 |
| 170 | 58.3 | 228.1 | 28,500 | 61.9 | 224.2 | 23,600 | 170 |
| 175 | 57.0 | 224.3 | 27,900 | 60.6 | 220.3 | 23,100 | 175 |
| 180 | 55.7 | 220.3 | 27,300 | 59.2 | 216.2 | 22,500 | 180 |
| 185 | 54.4 | 216.1 | 26,600 | 57.8 | 211.9 | 22,000 | 185 |
| 190 | 53.0 | 211.7 | 26,000 | 56.4 | 207.4 | 21,500 | 190 |
| 195 | 51.6 | 207.0 | 25,500 | 55.0 | 202.7 | 21,000 | 195 |
| 200 | 50.1 | 202.2 | 25,000 | 53.5 | 197.7 | 20,500 | 200 |
| 205 | 48.6 | 197.0 | 24,400 | 52.0 | 192.4 | 20,100 | 205 |
| 210 | 47.1 | 191.6 | 23,900 | 50.4 | 186.9 | 19,700 | 210 |
| 215 | 45.5 | 185.9 | 23,500 | 48.8 | 181.0 | 19,200 | 215 |
| 220 | 43.9 | 179.9 | 23,000 | 47.1 | 174.8 | 18,900 | 220 |
| 225 | 42.2 | 173.5 | 22,500 | 45.4 | 168.2 | 18,500 | 225 |
| 230 | 40.4 | 166.6 | 22,100 | 43.5 | 161.1 | 18,200 | 230 |
| 235 | 38.6 | 159.3 | 21,600 | 41.6 | 153.5 | 17,800 | 235 |
| 240 | 36.7 | 151.5 | 21,200 | 39.6 | 145.4 | 17,500 | 240 |
| 245 | 34.6 | 143.0 | 20,700 | 37.5 | 136.5 | 17,200 | 245 |
| 250 | 32.4 | 133.8 | 20,300 | 35.2 | 126.8 | 17,000 | 250 |
| 255 | 30.1 | 123.6 | 19,800 | 32.7 | 115.9 | 16,700 | 255 |
| 260 | 27.5 | 112.2 | 19,500 | 29.9 | 103.6 | 16,500 | 260 |
| 270 | 21.2 | 83.5 | 18,800 | | | | 270 |

MLC300 S-2

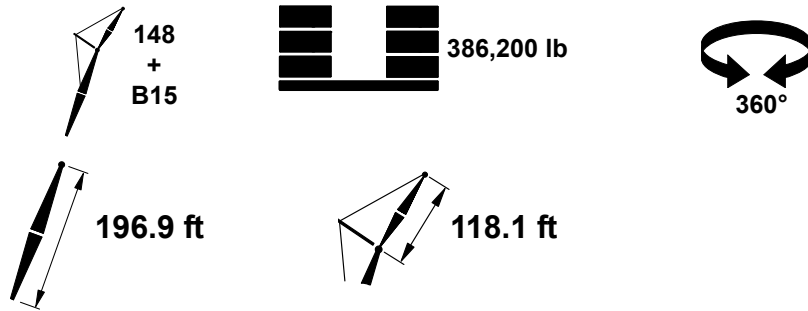
ASME B30.5



| | 10° | | | 20° | | | |
|-----|------|-------|--------|------|-------|--------|-----|
| | ft | ° | ft | lb | ft | lb | |
| 60 | 84.0 | 297.4 | 50,100 | | | | 60 |
| 65 | 83.0 | 296.4 | 49,000 | | | | 65 |
| 70 | 82.0 | 295.3 | 47,900 | | | | 70 |
| 75 | 81.0 | 294.1 | 46,800 | 84.7 | 290.7 | 40,400 | 75 |
| 80 | 80.0 | 292.9 | 45,700 | 83.7 | 289.4 | 39,500 | 80 |
| 85 | 79.0 | 291.5 | 44,600 | 82.6 | 288.1 | 38,700 | 85 |
| 90 | 78.0 | 290.1 | 43,500 | 81.6 | 286.6 | 37,800 | 90 |
| 95 | 77.0 | 288.5 | 42,400 | 80.6 | 285.0 | 36,900 | 95 |
| 100 | 76.0 | 286.9 | 41,400 | 79.6 | 283.4 | 36,100 | 100 |
| 105 | 75.0 | 285.1 | 40,500 | 78.5 | 281.6 | 35,300 | 105 |
| 110 | 73.9 | 283.3 | 39,500 | 77.5 | 279.7 | 34,500 | 110 |
| 115 | 72.9 | 281.3 | 38,500 | 76.4 | 277.7 | 33,500 | 115 |
| 120 | 71.8 | 279.2 | 37,600 | 75.4 | 275.6 | 32,500 | 120 |
| 125 | 70.8 | 277.1 | 36,800 | 74.3 | 273.4 | 31,500 | 125 |
| 130 | 69.7 | 274.8 | 35,900 | 73.2 | 271.1 | 30,600 | 130 |
| 135 | 68.6 | 272.4 | 35,100 | 72.1 | 268.7 | 29,700 | 135 |
| 140 | 67.6 | 269.9 | 34,200 | 71.0 | 266.2 | 28,900 | 140 |
| 145 | 66.5 | 267.3 | 33,500 | 69.9 | 263.5 | 28,100 | 145 |
| 150 | 65.4 | 264.5 | 32,700 | 68.8 | 260.7 | 27,400 | 150 |
| 155 | 64.2 | 261.6 | 31,900 | 67.6 | 257.8 | 26,700 | 155 |
| 160 | 63.1 | 258.6 | 31,200 | 66.5 | 254.7 | 26,000 | 160 |
| 165 | 62.0 | 255.5 | 30,500 | 65.3 | 251.5 | 25,300 | 165 |
| 170 | 60.8 | 252.2 | 29,900 | 64.1 | 248.2 | 24,700 | 170 |
| 175 | 59.6 | 248.7 | 29,200 | 62.9 | 244.7 | 24,200 | 175 |
| 180 | 58.4 | 245.1 | 28,600 | 61.7 | 241.0 | 23,600 | 180 |
| 185 | 57.2 | 241.4 | 27,900 | 60.5 | 237.2 | 23,000 | 185 |
| 190 | 56.0 | 237.4 | 27,400 | 59.2 | 233.2 | 22,500 | 190 |
| 195 | 54.7 | 233.3 | 26,800 | 58.0 | 229.0 | 22,000 | 195 |
| 200 | 53.4 | 229.0 | 26,300 | 56.7 | 224.6 | 21,600 | 200 |
| 205 | 52.1 | 224.5 | 25,700 | 55.3 | 220.0 | 21,100 | 205 |
| 210 | 50.8 | 219.8 | 25,200 | 54.0 | 215.2 | 20,600 | 210 |
| 215 | 49.4 | 214.9 | 24,700 | 52.6 | 210.2 | 20,300 | 215 |
| 220 | 48.1 | 209.7 | 24,300 | 51.1 | 204.9 | 19,900 | 220 |
| 225 | 46.6 | 204.3 | 23,800 | 49.7 | 199.3 | 19,500 | 225 |
| 230 | 45.1 | 198.6 | 23,300 | 48.2 | 193.4 | 19,100 | 230 |
| 235 | 43.6 | 192.5 | 23,000 | 46.6 | 187.2 | 18,700 | 235 |
| 240 | 42.1 | 186.1 | 22,500 | 45.0 | 180.6 | 18,400 | 240 |
| 245 | 40.4 | 179.4 | 22,100 | 43.3 | 173.6 | 18,100 | 245 |
| 250 | 38.7 | 172.2 | 21,700 | 41.5 | 166.2 | 17,800 | 250 |
| 255 | 36.9 | 164.5 | 21,200 | 39.7 | 158.2 | 17,500 | 255 |
| 260 | 35.1 | 156.3 | 20,800 | 37.7 | 149.6 | 17,300 | 260 |
| 270 | 31.0 | 137.7 | 20,100 | 33.4 | 130.0 | 16,800 | 270 |
| 280 | 26.2 | 115.0 | 19,100 | 28.2 | 105.6 | 16,400 | 280 |
| 290 | 20.0 | 84.8 | 17,200 | | | | 290 |

MLC300 S-2

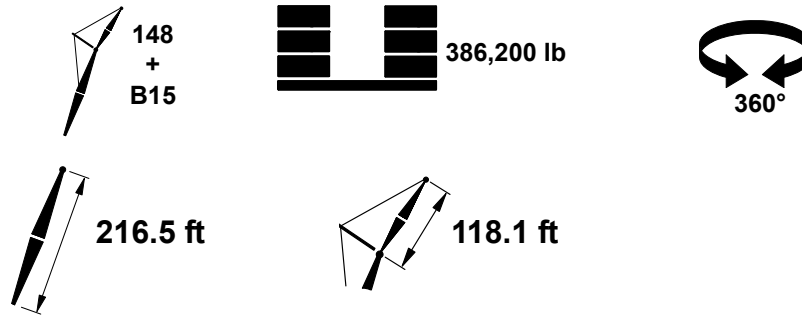
ASME B30.5



| ft | 10° | | | 20° | | | ft |
|-----|------|-------|--------|------|-------|--------|-----|
| | ft | ° | lb | ft | ° | lb | |
| 60 | 84.4 | 317.3 | 50,100 | | | | 60 |
| 65 | 83.5 | 316.4 | 49,000 | | | | 65 |
| 70 | 82.6 | 315.4 | 48,100 | | | | 70 |
| 75 | 81.6 | 314.3 | 47,000 | | | | 75 |
| 80 | 80.7 | 313.1 | 46,000 | 84.1 | 309.6 | 39,700 | 80 |
| 85 | 79.7 | 311.8 | 45,100 | 83.1 | 308.3 | 38,900 | 85 |
| 90 | 78.8 | 310.5 | 44,100 | 82.2 | 306.9 | 38,100 | 90 |
| 95 | 77.9 | 309.0 | 43,100 | 81.2 | 305.4 | 37,300 | 95 |
| 100 | 76.9 | 307.5 | 42,100 | 80.2 | 303.9 | 36,500 | 100 |
| 105 | 76.0 | 305.9 | 41,200 | 79.3 | 302.2 | 35,800 | 105 |
| 110 | 75.0 | 304.2 | 40,300 | 78.3 | 300.5 | 35,000 | 110 |
| 115 | 74.0 | 302.3 | 39,400 | 77.3 | 298.7 | 34,300 | 115 |
| 120 | 73.0 | 300.4 | 38,600 | 76.3 | 296.7 | 33,400 | 120 |
| 125 | 72.1 | 298.4 | 37,700 | 75.3 | 294.7 | 32,400 | 125 |
| 130 | 71.1 | 296.3 | 36,900 | 74.3 | 292.5 | 31,500 | 130 |
| 135 | 70.1 | 294.1 | 36,100 | 73.3 | 290.3 | 30,700 | 135 |
| 140 | 69.1 | 291.8 | 35,300 | 72.3 | 287.9 | 29,900 | 140 |
| 145 | 68.1 | 289.3 | 34,500 | 71.3 | 285.5 | 29,100 | 145 |
| 150 | 67.1 | 286.8 | 33,800 | 70.3 | 282.9 | 28,400 | 150 |
| 155 | 66.0 | 284.2 | 33,100 | 69.2 | 280.2 | 27,700 | 155 |
| 160 | 65.0 | 281.4 | 32,400 | 68.2 | 277.4 | 27,000 | 160 |
| 165 | 63.9 | 278.5 | 31,700 | 67.1 | 274.5 | 26,300 | 165 |
| 170 | 62.9 | 275.5 | 31,000 | 66.0 | 271.4 | 25,700 | 170 |
| 175 | 61.8 | 272.4 | 30,400 | 64.9 | 268.2 | 25,100 | 175 |
| 180 | 60.7 | 269.1 | 29,800 | 63.8 | 264.9 | 24,500 | 180 |
| 185 | 59.6 | 265.7 | 29,200 | 62.7 | 261.5 | 24,000 | 185 |
| 190 | 58.5 | 262.1 | 28,600 | 61.6 | 257.8 | 23,500 | 190 |
| 195 | 57.4 | 258.4 | 28,000 | 60.4 | 254.1 | 23,000 | 195 |
| 200 | 56.2 | 254.6 | 27,500 | 59.3 | 250.1 | 22,500 | 200 |
| 205 | 55.0 | 250.5 | 26,900 | 58.1 | 246.0 | 22,100 | 205 |
| 210 | 53.9 | 246.3 | 26,500 | 56.9 | 241.8 | 21,600 | 210 |
| 215 | 52.7 | 242.0 | 25,900 | 55.6 | 237.3 | 21,200 | 215 |
| 220 | 51.4 | 237.4 | 25,400 | 54.4 | 232.6 | 20,800 | 220 |
| 225 | 50.2 | 232.6 | 25,000 | 53.1 | 227.8 | 20,400 | 225 |
| 230 | 48.9 | 227.6 | 24,500 | 51.8 | 222.7 | 20,000 | 230 |
| 235 | 47.6 | 222.4 | 24,100 | 50.4 | 217.3 | 19,700 | 235 |
| 240 | 46.2 | 216.9 | 23,700 | 49.0 | 211.7 | 19,300 | 240 |
| 245 | 44.8 | 211.2 | 23,300 | 47.6 | 205.8 | 19,000 | 245 |
| 250 | 43.4 | 205.2 | 22,900 | 46.2 | 199.6 | 18,700 | 250 |
| 255 | 41.9 | 198.8 | 22,500 | 44.6 | 193.1 | 18,400 | 255 |
| 260 | 40.4 | 192.1 | 21,400 | 43.1 | 186.2 | 18,100 | 260 |
| 270 | 37.2 | 177.5 | 19,400 | 39.7 | 171.0 | 17,600 | 270 |
| 280 | 33.7 | 160.8 | 17,500 | 36.0 | 153.6 | 17,000 | 280 |
| 290 | 29.7 | 141.4 | 15,700 | 31.8 | 133.0 | 16,200 | 290 |
| 300 | 25.0 | 117.7 | 14,000 | | | | 300 |
| 310 | 19.0 | 86.0 | 12,300 | | | | 310 |

MLC300 S-2

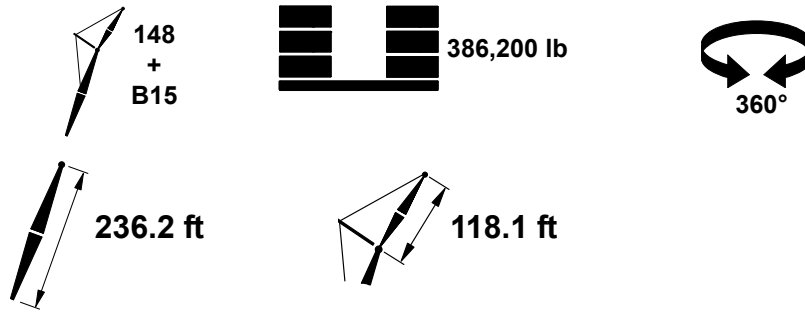
ASME B30.5



| | 10° | | | 20° | | | |
|-----|------|-------|--------|------|-------|--------|-----|
| | ft | ° | ft | lb | ft | lb | |
| 60 | 84.7 | 337.2 | 49,900 | | | | 60 |
| 65 | 83.9 | 336.4 | 49,000 | | | | 65 |
| 70 | 83.0 | 335.4 | 48,100 | | | | 70 |
| 75 | 82.1 | 334.4 | 47,200 | | | | 75 |
| 80 | 81.2 | 333.3 | 46,300 | 84.4 | 329.6 | 39,800 | 80 |
| 85 | 80.4 | 332.1 | 45,400 | 83.5 | 328.4 | 39,100 | 85 |
| 90 | 79.5 | 330.8 | 44,500 | 82.6 | 327.1 | 38,300 | 90 |
| 95 | 78.6 | 329.5 | 43,600 | 81.8 | 325.8 | 37,600 | 95 |
| 100 | 77.7 | 328.0 | 42,700 | 80.9 | 324.3 | 36,900 | 100 |
| 105 | 76.8 | 326.5 | 41,800 | 79.9 | 322.8 | 36,200 | 105 |
| 110 | 75.9 | 324.9 | 41,000 | 79.0 | 321.1 | 35,500 | 110 |
| 115 | 75.0 | 323.2 | 40,100 | 78.1 | 319.4 | 34,800 | 115 |
| 120 | 74.1 | 321.4 | 39,300 | 77.2 | 317.6 | 34,200 | 120 |
| 125 | 73.2 | 319.5 | 38,600 | 76.3 | 315.7 | 33,300 | 125 |
| 130 | 72.3 | 317.6 | 37,700 | 75.3 | 313.7 | 32,400 | 130 |
| 135 | 71.3 | 315.5 | 37,000 | 74.4 | 311.6 | 31,600 | 135 |
| 140 | 70.4 | 313.4 | 36,200 | 73.5 | 309.4 | 30,700 | 140 |
| 145 | 69.5 | 311.1 | 35,500 | 72.5 | 307.2 | 30,000 | 145 |
| 150 | 68.5 | 308.8 | 34,800 | 71.6 | 304.8 | 29,300 | 150 |
| 155 | 67.6 | 306.3 | 34,100 | 70.6 | 302.3 | 28,600 | 155 |
| 160 | 66.6 | 303.7 | 33,400 | 69.6 | 299.7 | 27,900 | 160 |
| 165 | 65.6 | 301.1 | 32,700 | 68.6 | 297.0 | 27,200 | 165 |
| 170 | 64.7 | 298.3 | 32,100 | 67.6 | 294.2 | 26,700 | 170 |
| 175 | 63.7 | 295.4 | 31,500 | 66.6 | 291.2 | 26,000 | 175 |
| 180 | 62.7 | 292.4 | 30,800 | 65.6 | 288.2 | 25,500 | 180 |
| 185 | 61.7 | 289.3 | 30,200 | 64.6 | 285.0 | 25,000 | 185 |
| 190 | 60.6 | 286.0 | 29,700 | 63.6 | 281.7 | 24,500 | 190 |
| 195 | 59.6 | 282.6 | 29,100 | 62.5 | 278.3 | 24,000 | 195 |
| 200 | 58.6 | 279.1 | 28,600 | 61.4 | 274.7 | 23,500 | 200 |
| 205 | 57.5 | 275.5 | 28,000 | 60.4 | 271.0 | 23,000 | 205 |
| 210 | 56.4 | 271.7 | 27,500 | 59.3 | 267.1 | 22,600 | 210 |
| 215 | 55.3 | 267.7 | 27,000 | 58.2 | 263.1 | 22,100 | 215 |
| 220 | 54.2 | 263.6 | 26,600 | 57.0 | 258.9 | 21,700 | 220 |
| 225 | 53.1 | 259.3 | 26,100 | 55.9 | 254.6 | 21,300 | 225 |
| 230 | 52.0 | 254.9 | 25,700 | 54.7 | 250.0 | 20,900 | 230 |
| 235 | 50.8 | 250.2 | 25,200 | 53.5 | 245.3 | 20,600 | 235 |
| 240 | 49.6 | 245.4 | 24,200 | 52.3 | 240.4 | 20,200 | 240 |
| 245 | 48.4 | 240.4 | 23,000 | 51.1 | 235.2 | 19,800 | 245 |
| 250 | 47.1 | 235.1 | 21,900 | 49.8 | 229.8 | 19,600 | 250 |
| 255 | 45.9 | 229.6 | 20,800 | 48.5 | 224.2 | 19,200 | 255 |
| 260 | 44.6 | 223.9 | 19,700 | 47.2 | 218.3 | 18,900 | 260 |
| 270 | 41.8 | 211.5 | 17,700 | 44.4 | 205.6 | 18,300 | 270 |
| 280 | 38.9 | 197.8 | 15,800 | 41.4 | 191.5 | 16,700 | 280 |
| 290 | 35.8 | 182.5 | 14,000 | 38.1 | 175.6 | 14,800 | 290 |
| 300 | 32.4 | 165.2 | 12,400 | 34.5 | 157.4 | 13,000 | 300 |
| 310 | 28.5 | 144.9 | 10,800 | 30.4 | 135.9 | 11,300 | 310 |
| 320 | 23.9 | 120.1 | 9,300 | | | | 320 |
| 330 | 18.0 | 86.9 | 7,800 | | | | 330 |

MLC300 S-2

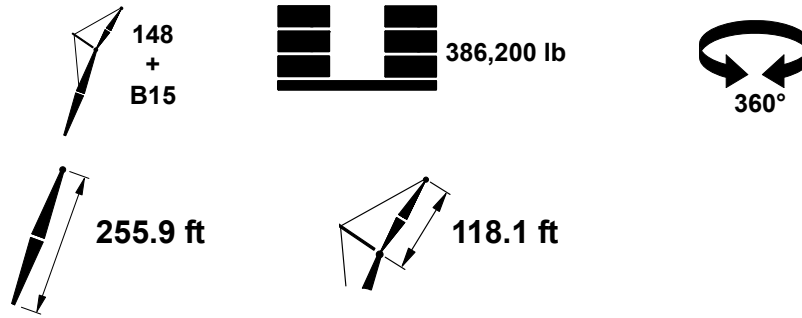
ASME B30.5



| | 10° | | | 20° | | | |
|-----|------|-------|--------|------|-------|--------|-----|
| | ft | ° | ft | lb | ft | lb | |
| 65 | 84.2 | 356.3 | 48,800 | | | | 65 |
| 70 | 83.4 | 355.4 | 48,000 | | | | 70 |
| 75 | 82.6 | 354.4 | 47,200 | | | | 75 |
| 80 | 81.7 | 353.4 | 46,400 | 84.8 | 349.6 | 39,800 | 80 |
| 85 | 80.9 | 352.3 | 45,500 | 83.9 | 348.5 | 39,200 | 85 |
| 90 | 80.1 | 351.1 | 44,700 | 83.1 | 347.3 | 38,500 | 90 |
| 95 | 79.2 | 349.8 | 43,900 | 82.2 | 346.0 | 37,800 | 95 |
| 100 | 78.4 | 348.5 | 43,000 | 81.4 | 344.6 | 37,100 | 100 |
| 105 | 77.6 | 347.0 | 42,200 | 80.5 | 343.2 | 36,500 | 105 |
| 110 | 76.7 | 345.5 | 41,500 | 79.7 | 341.7 | 35,800 | 110 |
| 115 | 75.9 | 343.9 | 40,700 | 78.8 | 340.0 | 35,200 | 115 |
| 120 | 75.0 | 342.2 | 39,900 | 78.0 | 338.3 | 34,600 | 120 |
| 125 | 74.2 | 340.5 | 39,200 | 77.1 | 336.6 | 34,000 | 125 |
| 130 | 73.3 | 338.6 | 38,400 | 76.2 | 334.7 | 33,200 | 130 |
| 135 | 72.4 | 336.7 | 37,700 | 75.3 | 332.8 | 32,400 | 135 |
| 140 | 71.6 | 334.7 | 37,000 | 74.5 | 330.7 | 31,600 | 140 |
| 145 | 70.7 | 332.6 | 36,300 | 73.6 | 328.6 | 30,800 | 145 |
| 150 | 69.8 | 330.4 | 35,600 | 72.7 | 326.4 | 30,100 | 150 |
| 155 | 68.9 | 328.1 | 35,000 | 71.8 | 324.0 | 29,400 | 155 |
| 160 | 68.0 | 325.7 | 34,300 | 70.9 | 321.6 | 28,700 | 160 |
| 165 | 67.1 | 323.2 | 33,600 | 70.0 | 319.1 | 28,100 | 165 |
| 170 | 66.2 | 320.7 | 33,100 | 69.0 | 316.5 | 27,500 | 170 |
| 175 | 65.3 | 318.0 | 32,500 | 68.1 | 313.8 | 26,900 | 175 |
| 180 | 64.4 | 315.2 | 31,800 | 67.2 | 310.9 | 26,400 | 180 |
| 185 | 63.4 | 312.3 | 31,200 | 66.2 | 308.0 | 25,800 | 185 |
| 190 | 62.5 | 309.3 | 30,700 | 65.3 | 305.0 | 25,300 | 190 |
| 195 | 61.5 | 306.2 | 30,100 | 64.3 | 301.8 | 24,800 | 195 |
| 200 | 60.6 | 302.9 | 29,600 | 63.3 | 298.5 | 24,400 | 200 |
| 205 | 59.6 | 299.6 | 29,100 | 62.3 | 295.1 | 23,900 | 205 |
| 210 | 58.6 | 296.1 | 28,600 | 61.3 | 291.6 | 23,400 | 210 |
| 215 | 57.6 | 292.5 | 28,100 | 60.3 | 287.9 | 23,000 | 215 |
| 220 | 56.6 | 288.7 | 27,600 | 59.3 | 284.1 | 22,600 | 220 |
| 225 | 55.6 | 284.8 | 26,400 | 58.2 | 280.1 | 22,200 | 225 |
| 230 | 54.5 | 280.8 | 25,000 | 57.2 | 276.0 | 21,800 | 230 |
| 235 | 53.5 | 276.6 | 23,700 | 56.1 | 271.8 | 21,400 | 235 |
| 240 | 52.4 | 272.3 | 22,500 | 55.0 | 267.3 | 21,100 | 240 |
| 245 | 51.3 | 267.8 | 21,300 | 53.9 | 262.7 | 20,700 | 245 |
| 250 | 50.2 | 263.1 | 20,100 | 52.8 | 257.9 | 20,400 | 250 |
| 255 | 49.1 | 258.2 | 19,000 | 51.6 | 252.9 | 20,000 | 255 |
| 260 | 47.9 | 253.1 | 18,000 | 50.4 | 247.8 | 19,300 | 260 |
| 270 | 45.6 | 242.3 | 16,000 | 48.0 | 236.7 | 17,100 | 270 |
| 280 | 43.1 | 230.5 | 14,100 | 45.4 | 224.6 | 15,200 | 280 |
| 290 | 40.4 | 217.6 | 12,300 | 42.7 | 211.3 | 13,300 | 290 |
| 300 | 37.6 | 203.3 | 10,700 | 39.8 | 196.6 | 11,500 | 300 |
| 310 | 34.5 | 187.4 | 9,100 | 36.7 | 180.0 | 9,800 | 310 |
| 320 | 31.2 | 169.3 | 7,700 | 33.1 | 161.1 | 8,200 | 320 |
| 330 | | | | 29.1 | 138.7 | 6,700 | 330 |

MLC300 S-2

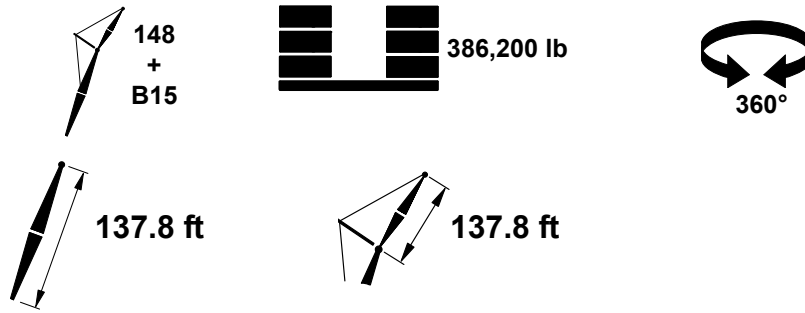
ASME B30.5



| | 10° | | | 20° | | | |
|-----|------|-------|--------|------|-------|--------|-----|
| | ft | ° | ft | lb | ft | lb | |
| 65 | 84.5 | 376.2 | 48,300 | | | | 65 |
| 70 | 83.7 | 375.4 | 47,600 | | | | 70 |
| 75 | 83.0 | 374.5 | 46,800 | | | | 75 |
| 80 | 82.2 | 373.5 | 46,100 | | | | 80 |
| 85 | 81.4 | 372.4 | 45,300 | 84.2 | 368.5 | 39,100 | 85 |
| 90 | 80.6 | 371.3 | 44,500 | 83.5 | 367.4 | 38,400 | 90 |
| 95 | 79.8 | 370.1 | 43,900 | 82.7 | 366.2 | 37,800 | 95 |
| 100 | 79.0 | 368.8 | 43,100 | 81.9 | 364.9 | 37,200 | 100 |
| 105 | 78.2 | 367.5 | 42,300 | 81.1 | 363.5 | 36,500 | 105 |
| 110 | 77.4 | 366.0 | 41,600 | 80.2 | 362.1 | 36,000 | 110 |
| 115 | 76.6 | 364.5 | 41,000 | 79.4 | 360.6 | 35,400 | 115 |
| 120 | 75.8 | 362.9 | 40,200 | 78.6 | 359.0 | 34,800 | 120 |
| 125 | 75.0 | 361.3 | 39,500 | 77.8 | 357.3 | 34,300 | 125 |
| 130 | 74.2 | 359.6 | 38,800 | 77.0 | 355.5 | 33,700 | 130 |
| 135 | 73.4 | 357.7 | 38,100 | 76.2 | 353.7 | 32,900 | 135 |
| 140 | 72.6 | 355.9 | 37,500 | 75.3 | 351.8 | 32,200 | 140 |
| 145 | 71.8 | 353.9 | 36,800 | 74.5 | 349.8 | 31,500 | 145 |
| 150 | 70.9 | 351.8 | 36,100 | 73.7 | 347.7 | 30,700 | 150 |
| 155 | 70.1 | 349.7 | 35,500 | 72.8 | 345.5 | 30,100 | 155 |
| 160 | 69.3 | 347.4 | 34,900 | 72.0 | 343.3 | 29,400 | 160 |
| 165 | 68.4 | 345.1 | 34,400 | 71.1 | 340.9 | 28,800 | 165 |
| 170 | 67.6 | 342.7 | 33,700 | 70.3 | 338.5 | 28,300 | 170 |
| 175 | 66.7 | 340.2 | 33,200 | 69.4 | 335.9 | 27,600 | 175 |
| 180 | 65.9 | 337.6 | 32,600 | 68.5 | 333.3 | 27,100 | 180 |
| 185 | 65.0 | 334.9 | 32,000 | 67.6 | 330.6 | 26,600 | 185 |
| 190 | 64.1 | 332.1 | 31,500 | 66.7 | 327.7 | 26,000 | 190 |
| 195 | 63.2 | 329.2 | 31,000 | 65.8 | 324.8 | 25,500 | 195 |
| 200 | 62.3 | 326.2 | 30,400 | 64.9 | 321.8 | 25,000 | 200 |
| 205 | 61.4 | 323.1 | 29,900 | 64.0 | 318.6 | 24,600 | 205 |
| 210 | 60.5 | 319.9 | 29,300 | 63.1 | 315.3 | 24,200 | 210 |
| 215 | 59.6 | 316.5 | 27,700 | 62.2 | 311.9 | 23,700 | 215 |
| 220 | 58.7 | 313.1 | 26,200 | 61.2 | 308.4 | 23,300 | 220 |
| 225 | 57.7 | 309.5 | 24,800 | 60.3 | 304.8 | 22,900 | 225 |
| 230 | 56.8 | 305.8 | 23,400 | 59.3 | 301.0 | 22,500 | 230 |
| 235 | 55.8 | 302.0 | 22,100 | 58.3 | 297.2 | 22,200 | 235 |
| 240 | 54.8 | 298.0 | 20,900 | 57.3 | 293.1 | 21,800 | 240 |
| 245 | 53.8 | 293.9 | 19,700 | 56.3 | 288.9 | 21,400 | 245 |
| 250 | 52.8 | 289.6 | 18,500 | 55.3 | 284.6 | 20,200 | 250 |
| 255 | 51.8 | 285.2 | 17,400 | 54.2 | 280.1 | 19,000 | 255 |
| 260 | 50.8 | 280.6 | 16,400 | 53.2 | 275.4 | 17,900 | 260 |
| 270 | 48.6 | 271.0 | 14,400 | 51.0 | 265.6 | 15,700 | 270 |
| 280 | 46.4 | 260.5 | 12,500 | 48.7 | 254.9 | 13,700 | 280 |
| 290 | 44.1 | 249.2 | 10,800 | 46.4 | 243.3 | 11,900 | 290 |
| 300 | 41.7 | 236.9 | 9,100 | 43.9 | 230.7 | 10,100 | 300 |
| 310 | 39.1 | 223.5 | 7,600 | 41.2 | 216.9 | 8,500 | 310 |
| 320 | | | | 38.4 | 201.5 | 6,900 | 320 |

MLC300 S-2

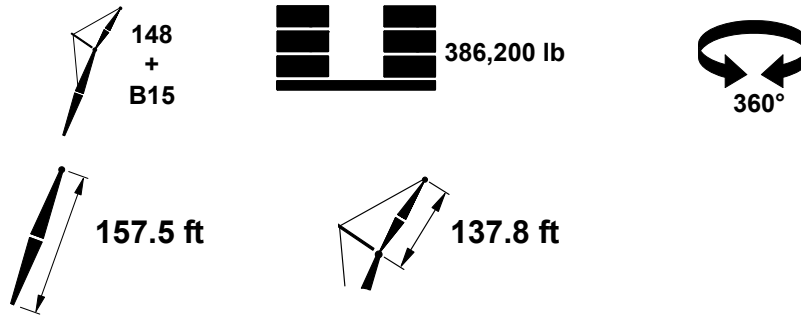
ASME B30.5



| ft | 10° | | | 20° | | | ft |
|-----|------|-------|--------|------|-------|--------|-----|
| | ° | ft | lb | ° | ft | lb | |
| 55 | 84.3 | 278.8 | 42,900 | | | | 55 |
| 60 | 83.3 | 277.9 | 41,700 | | | | 60 |
| 65 | 82.2 | 276.8 | 40,500 | | | | 65 |
| 70 | 81.2 | 275.6 | 39,200 | | | | 70 |
| 75 | 80.1 | 274.4 | 38,000 | 84.7 | 271.5 | 32,800 | 75 |
| 80 | 79.0 | 273.0 | 36,700 | 83.6 | 270.2 | 31,700 | 80 |
| 85 | 77.9 | 271.6 | 35,600 | 82.5 | 268.7 | 30,700 | 85 |
| 90 | 76.8 | 270.0 | 34,400 | 81.4 | 267.1 | 29,800 | 90 |
| 95 | 75.8 | 268.3 | 33,300 | 80.3 | 265.4 | 28,900 | 95 |
| 100 | 74.7 | 266.6 | 32,300 | 79.2 | 263.6 | 28,000 | 100 |
| 105 | 73.5 | 264.7 | 31,200 | 78.1 | 261.7 | 27,100 | 105 |
| 110 | 72.4 | 262.7 | 30,200 | 76.9 | 259.7 | 26,300 | 110 |
| 115 | 71.3 | 260.6 | 29,200 | 75.8 | 257.6 | 25,500 | 115 |
| 120 | 70.2 | 258.3 | 28,300 | 74.7 | 255.3 | 24,700 | 120 |
| 125 | 69.0 | 256.0 | 27,400 | 73.5 | 252.9 | 24,000 | 125 |
| 130 | 67.9 | 253.5 | 26,500 | 72.3 | 250.4 | 23,300 | 130 |
| 135 | 66.7 | 250.9 | 25,700 | 71.1 | 247.8 | 22,600 | 135 |
| 140 | 65.5 | 248.2 | 24,900 | 69.9 | 245.0 | 21,900 | 140 |
| 145 | 64.3 | 245.3 | 24,100 | 68.7 | 242.1 | 21,300 | 145 |
| 150 | 63.1 | 242.3 | 23,400 | 67.5 | 239.1 | 20,700 | 150 |
| 155 | 61.9 | 239.1 | 22,600 | 66.3 | 235.9 | 20,200 | 155 |
| 160 | 60.6 | 235.8 | 21,900 | 65.0 | 232.5 | 19,600 | 160 |
| 165 | 59.4 | 232.4 | 21,300 | 63.7 | 229.0 | 19,000 | 165 |
| 170 | 58.1 | 228.7 | 20,700 | 62.4 | 225.3 | 18,500 | 170 |
| 175 | 56.8 | 224.9 | 20,000 | 61.1 | 221.4 | 18,000 | 175 |
| 180 | 55.5 | 220.9 | 19,400 | 59.7 | 217.3 | 17,500 | 180 |
| 185 | 54.1 | 216.7 | 18,800 | 58.4 | 213.1 | 17,100 | 185 |
| 190 | 52.7 | 212.3 | 18,400 | 57.0 | 208.6 | 16,600 | 190 |
| 195 | 51.3 | 207.7 | 17,800 | 55.5 | 203.9 | 16,200 | 195 |
| 200 | 49.9 | 202.8 | 17,300 | 54.0 | 198.9 | 15,800 | 200 |
| 205 | 48.4 | 197.7 | 16,800 | 52.5 | 193.7 | 15,400 | 205 |
| 210 | 46.9 | 192.3 | 16,300 | 51.0 | 188.2 | 15,000 | 210 |
| 215 | 45.3 | 186.6 | 15,900 | 49.4 | 182.4 | 14,700 | 215 |
| 220 | 43.7 | 180.6 | 15,500 | 47.7 | 176.2 | 14,300 | 220 |
| 225 | 42.0 | 174.2 | 15,100 | 46.0 | 169.6 | 14,000 | 225 |
| 230 | 40.2 | 167.4 | 14,700 | 44.2 | 162.7 | 13,700 | 230 |
| 235 | 38.4 | 160.2 | 14,300 | 42.3 | 155.2 | 13,400 | 235 |
| 240 | 36.5 | 152.4 | 13,900 | 40.3 | 147.1 | 13,100 | 240 |
| 245 | 34.5 | 144.0 | 13,600 | 38.2 | 138.3 | 12,900 | 245 |
| 250 | 32.3 | 134.8 | 13,200 | 35.9 | 128.7 | 12,600 | 250 |
| 255 | 30.0 | 124.7 | 12,900 | 33.4 | 118.1 | 12,400 | 255 |
| 260 | 27.4 | 113.4 | 12,700 | 30.7 | 106.0 | 12,300 | 260 |
| 270 | 21.2 | 85.2 | 12,100 | | | | 270 |

MLC300 S-2

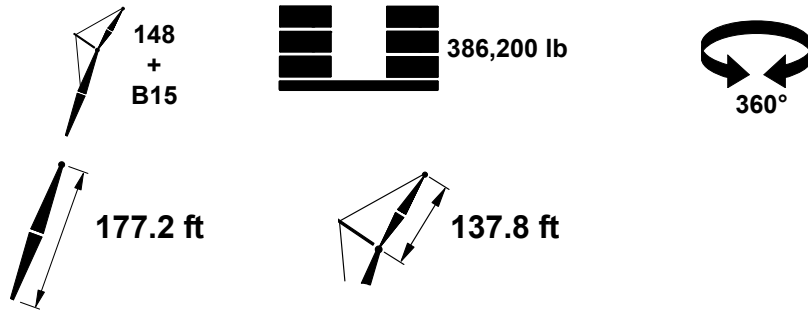
ASME B30.5



| | 10° | | | 20° | | | |
|-----|------|-------|--------|------|-------|--------|-----|
| | ft | ° | ft | lb | ft | lb | |
| 55 | 84.7 | 298.8 | 43,100 | | | | 55 |
| 60 | 83.7 | 297.9 | 41,900 | | | | 60 |
| 65 | 82.8 | 296.9 | 40,800 | | | | 65 |
| 70 | 81.8 | 295.8 | 39,600 | | | | 70 |
| 75 | 80.8 | 294.6 | 38,500 | | | | 75 |
| 80 | 79.8 | 293.4 | 37,400 | 84.0 | 290.3 | 32,000 | 80 |
| 85 | 78.8 | 292.0 | 36,300 | 83.0 | 289.0 | 31,100 | 85 |
| 90 | 77.8 | 290.6 | 35,200 | 82.0 | 287.5 | 30,200 | 90 |
| 95 | 76.7 | 289.0 | 34,200 | 81.0 | 285.9 | 29,300 | 95 |
| 100 | 75.7 | 287.4 | 33,100 | 80.0 | 284.3 | 28,500 | 100 |
| 105 | 74.7 | 285.6 | 32,100 | 78.9 | 282.5 | 27,700 | 105 |
| 110 | 73.7 | 283.8 | 31,200 | 77.9 | 280.6 | 26,900 | 110 |
| 115 | 72.6 | 281.8 | 30,200 | 76.8 | 278.6 | 26,100 | 115 |
| 120 | 71.6 | 279.8 | 29,300 | 75.8 | 276.6 | 25,400 | 120 |
| 125 | 70.5 | 277.6 | 28,500 | 74.7 | 274.4 | 24,700 | 125 |
| 130 | 69.5 | 275.3 | 27,600 | 73.6 | 272.1 | 24,000 | 130 |
| 135 | 68.4 | 272.9 | 26,800 | 72.5 | 269.7 | 23,400 | 135 |
| 140 | 67.3 | 270.4 | 26,000 | 71.4 | 267.1 | 22,800 | 140 |
| 145 | 66.2 | 267.8 | 25,300 | 70.3 | 264.5 | 22,100 | 145 |
| 150 | 65.1 | 265.1 | 24,500 | 69.2 | 261.7 | 21,600 | 150 |
| 155 | 64.0 | 262.2 | 23,800 | 68.1 | 258.8 | 20,900 | 155 |
| 160 | 62.9 | 259.2 | 23,100 | 66.9 | 255.7 | 20,400 | 160 |
| 165 | 61.7 | 256.0 | 22,500 | 65.8 | 252.5 | 19,900 | 165 |
| 170 | 60.6 | 252.7 | 21,900 | 64.6 | 249.2 | 19,300 | 170 |
| 175 | 59.4 | 249.3 | 21,200 | 63.4 | 245.7 | 18,900 | 175 |
| 180 | 58.2 | 245.7 | 20,700 | 62.2 | 242.1 | 18,400 | 180 |
| 185 | 57.0 | 242.0 | 20,200 | 61.0 | 238.3 | 18,000 | 185 |
| 190 | 55.8 | 238.1 | 19,600 | 59.7 | 234.3 | 17,600 | 190 |
| 195 | 54.5 | 234.0 | 19,000 | 58.4 | 230.1 | 17,100 | 195 |
| 200 | 53.2 | 229.7 | 18,500 | 57.1 | 225.8 | 16,600 | 200 |
| 205 | 51.9 | 225.2 | 18,000 | 55.8 | 221.2 | 16,300 | 205 |
| 210 | 50.6 | 220.5 | 17,600 | 54.5 | 216.4 | 15,900 | 210 |
| 215 | 49.2 | 215.6 | 17,100 | 53.1 | 211.4 | 15,500 | 215 |
| 220 | 47.8 | 210.4 | 16,600 | 51.7 | 206.1 | 15,200 | 220 |
| 225 | 46.4 | 205.0 | 16,200 | 50.2 | 200.6 | 14,800 | 225 |
| 230 | 44.9 | 199.3 | 15,800 | 48.7 | 194.7 | 14,500 | 230 |
| 235 | 43.4 | 193.3 | 15,400 | 47.1 | 188.6 | 14,200 | 235 |
| 240 | 41.9 | 186.9 | 15,000 | 45.5 | 182.0 | 13,900 | 240 |
| 245 | 40.2 | 180.2 | 14,700 | 43.9 | 175.1 | 13,600 | 245 |
| 250 | 38.6 | 173.0 | 14,300 | 42.1 | 167.7 | 13,400 | 250 |
| 255 | 36.8 | 165.4 | 13,900 | 40.3 | 159.8 | 13,100 | 255 |
| 260 | 34.9 | 157.2 | 13,700 | 38.4 | 151.3 | 12,900 | 260 |
| 270 | 30.9 | 138.8 | 13,000 | 34.1 | 132.0 | 12,500 | 270 |
| 280 | 26.1 | 116.3 | 12,500 | 29.0 | 108.1 | 12,200 | 280 |
| 290 | 20.0 | 86.6 | 12,100 | | | | 290 |

MLC300 S-2

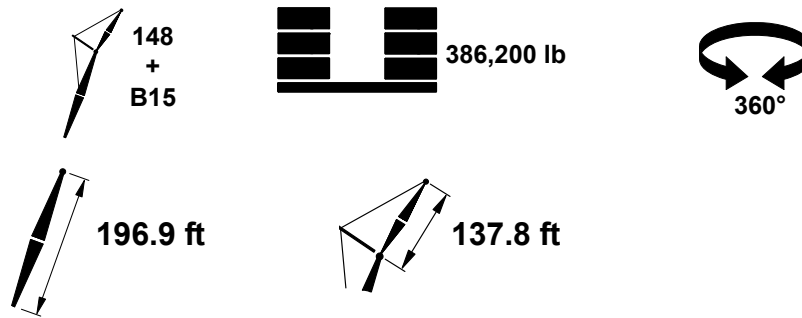
ASME B30.5



| | 10° | | | 20° | | | |
|-----|------|-------|--------|------|-------|--------|-----|
| | ft | ° | ft | lb | ft | lb | |
| 60 | 84.1 | 317.8 | 42,100 | | | | 60 |
| 65 | 83.2 | 316.9 | 41,000 | | | | 65 |
| 70 | 82.3 | 315.9 | 40,000 | | | | 70 |
| 75 | 81.4 | 314.8 | 38,900 | | | | 75 |
| 80 | 80.4 | 313.6 | 37,900 | 84.4 | 310.4 | 32,300 | 80 |
| 85 | 79.5 | 312.3 | 36,900 | 83.5 | 309.1 | 31,400 | 85 |
| 90 | 78.5 | 311.0 | 35,900 | 82.5 | 307.8 | 30,500 | 90 |
| 95 | 77.6 | 309.5 | 34,900 | 81.6 | 306.3 | 29,800 | 95 |
| 100 | 76.7 | 308.0 | 33,900 | 80.6 | 304.8 | 28,900 | 100 |
| 105 | 75.7 | 306.4 | 33,000 | 79.7 | 303.1 | 28,200 | 105 |
| 110 | 74.7 | 304.7 | 32,100 | 78.7 | 301.4 | 27,500 | 110 |
| 115 | 73.8 | 302.9 | 31,100 | 77.7 | 299.5 | 26,700 | 115 |
| 120 | 72.8 | 301.0 | 30,300 | 76.7 | 297.6 | 26,000 | 120 |
| 125 | 71.8 | 298.9 | 29,500 | 75.7 | 295.6 | 25,400 | 125 |
| 130 | 70.8 | 296.8 | 28,700 | 74.7 | 293.5 | 24,700 | 130 |
| 135 | 69.8 | 294.6 | 27,800 | 73.7 | 291.2 | 24,100 | 135 |
| 140 | 68.8 | 292.3 | 27,100 | 72.7 | 288.9 | 23,500 | 140 |
| 145 | 67.8 | 289.9 | 26,300 | 71.7 | 286.4 | 22,900 | 145 |
| 150 | 66.8 | 287.4 | 25,600 | 70.7 | 283.9 | 22,300 | 150 |
| 155 | 65.8 | 284.7 | 24,900 | 69.6 | 281.2 | 21,800 | 155 |
| 160 | 64.8 | 282.0 | 24,300 | 68.6 | 278.4 | 21,200 | 160 |
| 165 | 63.7 | 279.1 | 23,600 | 67.5 | 275.5 | 20,700 | 165 |
| 170 | 62.6 | 276.1 | 23,000 | 66.4 | 272.4 | 20,200 | 170 |
| 175 | 61.6 | 272.9 | 22,400 | 65.4 | 269.2 | 19,700 | 175 |
| 180 | 60.5 | 269.7 | 21,800 | 64.3 | 265.9 | 19,200 | 180 |
| 185 | 59.4 | 266.3 | 21,300 | 63.1 | 262.5 | 18,800 | 185 |
| 190 | 58.3 | 262.7 | 20,700 | 62.0 | 258.9 | 18,300 | 190 |
| 195 | 57.1 | 259.0 | 20,200 | 60.9 | 255.1 | 17,900 | 195 |
| 200 | 56.0 | 255.2 | 19,700 | 59.7 | 251.2 | 17,500 | 200 |
| 205 | 54.8 | 251.2 | 19,100 | 58.5 | 247.1 | 17,100 | 205 |
| 210 | 53.7 | 247.0 | 18,700 | 57.3 | 242.9 | 16,700 | 210 |
| 215 | 52.4 | 242.6 | 18,200 | 56.1 | 238.4 | 16,400 | 215 |
| 220 | 51.2 | 238.1 | 17,800 | 54.8 | 233.8 | 16,000 | 220 |
| 225 | 50.0 | 233.3 | 17,400 | 53.6 | 228.9 | 15,700 | 225 |
| 230 | 48.7 | 228.3 | 16,900 | 52.2 | 223.9 | 15,400 | 230 |
| 235 | 47.4 | 223.1 | 16,500 | 50.9 | 218.6 | 15,100 | 235 |
| 240 | 46.0 | 217.7 | 16,100 | 49.5 | 213.0 | 14,700 | 240 |
| 245 | 44.7 | 212.0 | 15,700 | 48.1 | 207.1 | 14,400 | 245 |
| 250 | 43.2 | 205.9 | 15,300 | 46.7 | 201.0 | 14,200 | 250 |
| 255 | 41.8 | 199.6 | 15,000 | 45.2 | 194.5 | 13,800 | 255 |
| 260 | 40.3 | 192.9 | 14,700 | 43.6 | 187.6 | 13,600 | 260 |
| 270 | 37.0 | 178.4 | 14,000 | 40.3 | 172.6 | 13,200 | 270 |
| 280 | 33.5 | 161.8 | 13,400 | 36.6 | 155.4 | 12,700 | 280 |
| 290 | 29.6 | 142.5 | 12,900 | 32.5 | 135.1 | 12,400 | 290 |
| 300 | 24.9 | 119.0 | 12,400 | 27.5 | 110.0 | 12,200 | 300 |
| 310 | 19.0 | 87.9 | 12,100 | | | | 310 |

MLC300 S-2

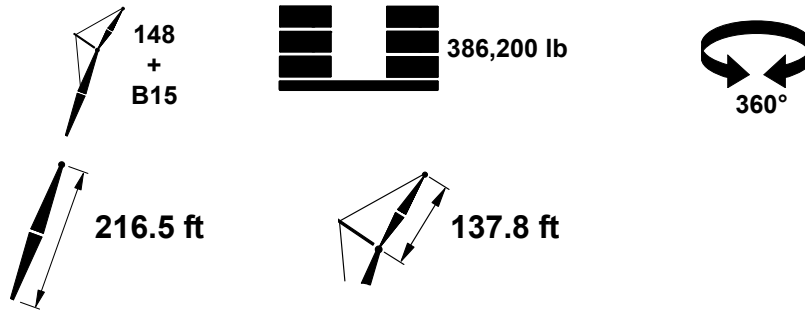
ASME B30.5



| ft | 10° | | | 20° | | | ft |
|-----|------|-------|--------|------|-------|--------|-----|
| | ° | ft | lb | ° | ft | lb | |
| 60 | 84.5 | 337.7 | 42,100 | | | | 60 |
| 65 | 83.6 | 336.9 | 41,100 | | | | 65 |
| 70 | 82.7 | 335.9 | 40,200 | | | | 70 |
| 75 | 81.9 | 334.9 | 39,200 | | | | 75 |
| 80 | 81.0 | 333.8 | 38,300 | 84.8 | 330.5 | 32,400 | 80 |
| 85 | 80.1 | 332.6 | 37,300 | 83.9 | 329.3 | 31,600 | 85 |
| 90 | 79.2 | 331.3 | 36,400 | 83.0 | 328.0 | 30,800 | 90 |
| 95 | 78.4 | 330.0 | 35,500 | 82.1 | 326.6 | 30,100 | 95 |
| 100 | 77.5 | 328.5 | 34,600 | 81.2 | 325.2 | 29,300 | 100 |
| 105 | 76.6 | 327.0 | 33,700 | 80.3 | 323.6 | 28,600 | 105 |
| 110 | 75.7 | 325.4 | 32,800 | 79.4 | 322.0 | 27,900 | 110 |
| 115 | 74.8 | 323.7 | 31,900 | 78.5 | 320.3 | 27,200 | 115 |
| 120 | 73.9 | 321.9 | 31,100 | 77.6 | 318.5 | 26,600 | 120 |
| 125 | 72.9 | 320.1 | 30,300 | 76.6 | 316.6 | 25,900 | 125 |
| 130 | 72.0 | 318.1 | 29,500 | 75.7 | 314.6 | 25,300 | 130 |
| 135 | 71.1 | 316.1 | 28,700 | 74.8 | 312.5 | 24,700 | 135 |
| 140 | 70.2 | 313.9 | 28,000 | 73.8 | 310.3 | 24,100 | 140 |
| 145 | 69.2 | 311.6 | 27,300 | 72.9 | 308.1 | 23,500 | 145 |
| 150 | 68.3 | 309.3 | 26,600 | 71.9 | 305.7 | 23,000 | 150 |
| 155 | 67.3 | 306.9 | 25,900 | 71.0 | 303.2 | 22,400 | 155 |
| 160 | 66.4 | 304.3 | 25,300 | 70.0 | 300.6 | 21,900 | 160 |
| 165 | 65.4 | 301.6 | 24,700 | 69.0 | 297.9 | 21,400 | 165 |
| 170 | 64.4 | 298.9 | 24,000 | 68.0 | 295.1 | 20,900 | 170 |
| 175 | 63.4 | 296.0 | 23,400 | 67.0 | 292.2 | 20,500 | 175 |
| 180 | 62.5 | 293.0 | 22,800 | 66.0 | 289.2 | 20,000 | 180 |
| 185 | 61.4 | 289.9 | 22,300 | 65.0 | 286.0 | 19,600 | 185 |
| 190 | 60.4 | 286.6 | 21,700 | 64.0 | 282.7 | 19,100 | 190 |
| 195 | 59.4 | 283.2 | 21,300 | 62.9 | 279.3 | 18,700 | 195 |
| 200 | 58.4 | 279.7 | 20,800 | 61.8 | 275.7 | 18,300 | 200 |
| 205 | 57.3 | 276.1 | 20,200 | 60.8 | 272.0 | 17,900 | 205 |
| 210 | 56.2 | 272.3 | 19,700 | 59.7 | 268.2 | 17,500 | 210 |
| 215 | 55.1 | 268.3 | 19,300 | 58.6 | 264.2 | 17,200 | 215 |
| 220 | 54.0 | 264.2 | 18,800 | 57.5 | 260.0 | 16,800 | 220 |
| 225 | 52.9 | 260.0 | 18,400 | 56.3 | 255.6 | 16,400 | 225 |
| 230 | 51.8 | 255.5 | 17,900 | 55.1 | 251.1 | 16,100 | 230 |
| 235 | 50.6 | 250.9 | 17,500 | 54.0 | 246.4 | 15,800 | 235 |
| 240 | 49.4 | 246.1 | 17,200 | 52.8 | 241.5 | 15,500 | 240 |
| 245 | 48.2 | 241.1 | 16,700 | 51.5 | 236.4 | 15,200 | 245 |
| 250 | 47.0 | 235.8 | 16,400 | 50.3 | 231.0 | 14,900 | 250 |
| 255 | 45.7 | 230.4 | 16,000 | 49.0 | 225.4 | 14,600 | 255 |
| 260 | 44.4 | 224.6 | 15,600 | 47.6 | 219.6 | 14,300 | 260 |
| 270 | 41.7 | 212.3 | 15,000 | 44.8 | 207.0 | 13,800 | 270 |
| 280 | 38.8 | 198.7 | 14,400 | 41.9 | 193.0 | 13,400 | 280 |
| 290 | 35.7 | 183.5 | 13,800 | 38.7 | 177.2 | 13,000 | 290 |
| 300 | 32.3 | 166.2 | 13,200 | 35.1 | 159.2 | 12,600 | 300 |
| 310 | 28.4 | 146.1 | 12,800 | 31.1 | 138.0 | 12,300 | 310 |
| 320 | 23.9 | 121.6 | 11,800 | 26.2 | 111.7 | 12,100 | 320 |
| 330 | 18.1 | 89.0 | 10,300 | | | | 330 |

MLC300 S-2

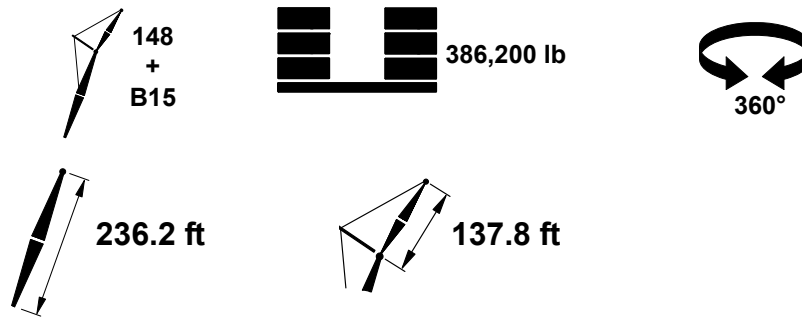
ASME B30.5



| ft | 10° | | | 20° | | | ft |
|-----|------|-------|--------|------|-------|--------|-----|
| | ft | ° | lb | ft | ° | lb | |
| 60 | 84.8 | 357.6 | 41,700 | | | | 60 |
| 65 | 84.0 | 356.8 | 41,100 | | | | 65 |
| 70 | 83.2 | 355.9 | 40,300 | | | | 70 |
| 75 | 82.3 | 355.0 | 39,400 | | | | 75 |
| 80 | 81.5 | 353.9 | 38,500 | | | | 80 |
| 85 | 80.7 | 352.8 | 37,600 | 84.2 | 349.3 | 31,800 | 85 |
| 90 | 79.9 | 351.6 | 36,800 | 83.4 | 348.1 | 31,000 | 90 |
| 95 | 79.0 | 350.3 | 35,900 | 82.6 | 346.8 | 30,400 | 95 |
| 100 | 78.2 | 349.0 | 35,000 | 81.7 | 345.5 | 29,700 | 100 |
| 105 | 77.3 | 347.5 | 34,200 | 80.9 | 344.0 | 28,900 | 105 |
| 110 | 76.5 | 346.0 | 33,400 | 80.0 | 342.5 | 28,300 | 110 |
| 115 | 75.7 | 344.4 | 32,600 | 79.2 | 340.9 | 27,600 | 115 |
| 120 | 74.8 | 342.8 | 31,800 | 78.3 | 339.2 | 27,000 | 120 |
| 125 | 73.9 | 341.0 | 31,000 | 77.4 | 337.4 | 26,400 | 125 |
| 130 | 73.1 | 339.2 | 30,300 | 76.6 | 335.6 | 25,800 | 130 |
| 135 | 72.2 | 337.3 | 29,600 | 75.7 | 333.6 | 25,200 | 135 |
| 140 | 71.3 | 335.2 | 28,900 | 74.8 | 331.6 | 24,700 | 140 |
| 145 | 70.5 | 333.1 | 28,100 | 73.9 | 329.5 | 24,100 | 145 |
| 150 | 69.6 | 330.9 | 27,500 | 73.0 | 327.2 | 23,600 | 150 |
| 155 | 68.7 | 328.7 | 26,900 | 72.1 | 324.9 | 23,100 | 155 |
| 160 | 67.8 | 326.3 | 26,200 | 71.2 | 322.5 | 22,600 | 160 |
| 165 | 66.9 | 323.8 | 25,600 | 70.3 | 320.0 | 22,100 | 165 |
| 170 | 66.0 | 321.2 | 25,000 | 69.4 | 317.4 | 21,600 | 170 |
| 175 | 65.1 | 318.6 | 24,400 | 68.5 | 314.7 | 21,100 | 175 |
| 180 | 64.2 | 315.8 | 23,800 | 67.5 | 311.9 | 20,700 | 180 |
| 185 | 63.2 | 312.9 | 23,300 | 66.6 | 309.0 | 20,200 | 185 |
| 190 | 62.3 | 309.9 | 22,700 | 65.6 | 305.9 | 19,800 | 190 |
| 195 | 61.3 | 306.8 | 22,200 | 64.7 | 302.8 | 19,400 | 195 |
| 200 | 60.4 | 303.5 | 21,700 | 63.7 | 299.5 | 19,000 | 200 |
| 205 | 59.4 | 300.2 | 21,200 | 62.7 | 296.1 | 18,600 | 205 |
| 210 | 58.4 | 296.7 | 20,700 | 61.7 | 292.6 | 18,200 | 210 |
| 215 | 57.4 | 293.1 | 20,300 | 60.7 | 288.9 | 17,900 | 215 |
| 220 | 56.4 | 289.4 | 19,800 | 59.7 | 285.1 | 17,500 | 220 |
| 225 | 55.4 | 285.5 | 19,400 | 58.6 | 281.2 | 17,200 | 225 |
| 230 | 54.4 | 281.5 | 19,000 | 57.6 | 277.1 | 16,800 | 230 |
| 235 | 53.3 | 277.3 | 18,600 | 56.5 | 272.8 | 16,500 | 235 |
| 240 | 52.2 | 272.9 | 18,100 | 55.4 | 268.4 | 16,200 | 240 |
| 245 | 51.1 | 268.4 | 17,700 | 54.3 | 263.8 | 15,900 | 245 |
| 250 | 50.0 | 263.8 | 17,300 | 53.2 | 259.1 | 15,600 | 250 |
| 255 | 48.9 | 258.9 | 17,000 | 52.0 | 254.1 | 15,300 | 255 |
| 260 | 47.8 | 253.8 | 16,600 | 50.9 | 248.9 | 15,000 | 260 |
| 270 | 45.4 | 243.0 | 15,900 | 48.4 | 237.9 | 14,500 | 270 |
| 280 | 42.9 | 231.3 | 15,300 | 45.9 | 225.9 | 14,000 | 280 |
| 290 | 40.3 | 218.4 | 14,700 | 43.2 | 212.7 | 13,600 | 290 |
| 300 | 37.5 | 204.2 | 13,100 | 40.3 | 198.1 | 13,200 | 300 |
| 310 | 34.4 | 188.4 | 11,600 | 37.2 | 181.7 | 12,400 | 310 |
| 320 | 31.1 | 170.4 | 10,100 | 33.7 | 162.9 | 10,800 | 320 |
| 330 | 27.4 | 149.4 | 8,700 | 29.7 | 140.8 | 9,300 | 330 |
| 340 | 22.9 | 124.0 | 7,400 | 25.0 | 113.3 | 7,800 | 340 |

MLC300 S-2

ASME B30.5



| | 10° | | | 20° | | | |
|-----|------|-------|--------|------|-------|--------|-----|
| | ft | ° | ft | lb | ft | lb | |
| 65 | 84.3 | 376.7 | 40,700 | | | | 65 |
| 70 | 83.5 | 375.9 | 40,100 | | | | 70 |
| 75 | 82.7 | 375.0 | 39,400 | | | | 75 |
| 80 | 82.0 | 374.0 | 38,600 | | | | 80 |
| 85 | 81.2 | 372.9 | 37,800 | 84.5 | 369.4 | 31,800 | 85 |
| 90 | 80.4 | 371.8 | 37,000 | 83.8 | 368.2 | 31,200 | 90 |
| 95 | 79.6 | 370.6 | 36,200 | 83.0 | 367.0 | 30,500 | 95 |
| 100 | 78.8 | 369.3 | 35,400 | 82.2 | 365.7 | 29,900 | 100 |
| 105 | 78.0 | 368.0 | 34,600 | 81.4 | 364.3 | 29,200 | 105 |
| 110 | 77.2 | 366.6 | 33,900 | 80.6 | 362.9 | 28,600 | 110 |
| 115 | 76.4 | 365.1 | 33,200 | 79.8 | 361.4 | 28,000 | 115 |
| 120 | 75.6 | 363.5 | 32,400 | 78.9 | 359.8 | 27,400 | 120 |
| 125 | 74.8 | 361.8 | 31,700 | 78.1 | 358.1 | 26,800 | 125 |
| 130 | 74.0 | 360.1 | 31,000 | 77.3 | 356.4 | 26,200 | 130 |
| 135 | 73.2 | 358.3 | 30,300 | 76.5 | 354.6 | 25,700 | 135 |
| 140 | 72.4 | 356.4 | 29,600 | 75.7 | 352.6 | 25,100 | 140 |
| 145 | 71.6 | 354.4 | 28,900 | 74.8 | 350.6 | 24,600 | 145 |
| 150 | 70.7 | 352.4 | 28,200 | 74.0 | 348.6 | 24,100 | 150 |
| 155 | 69.9 | 350.2 | 27,600 | 73.1 | 346.4 | 23,600 | 155 |
| 160 | 69.1 | 348.0 | 27,000 | 72.3 | 344.1 | 23,200 | 160 |
| 165 | 68.2 | 345.7 | 26,400 | 71.4 | 341.8 | 22,600 | 165 |
| 170 | 67.4 | 343.3 | 25,800 | 70.6 | 339.4 | 22,200 | 170 |
| 175 | 66.5 | 340.8 | 25,300 | 69.7 | 336.8 | 21,700 | 175 |
| 180 | 65.7 | 338.2 | 24,700 | 68.9 | 334.2 | 21,300 | 180 |
| 185 | 64.8 | 335.5 | 24,100 | 68.0 | 331.5 | 20,800 | 185 |
| 190 | 63.9 | 332.7 | 23,600 | 67.1 | 328.7 | 20,500 | 190 |
| 195 | 63.0 | 329.8 | 23,100 | 66.2 | 325.7 | 20,100 | 195 |
| 200 | 62.1 | 326.8 | 22,600 | 65.3 | 322.7 | 19,700 | 200 |
| 205 | 61.2 | 323.7 | 22,100 | 64.4 | 319.5 | 19,300 | 205 |
| 210 | 60.3 | 320.5 | 21,600 | 63.5 | 316.3 | 18,900 | 210 |
| 215 | 59.4 | 317.1 | 21,200 | 62.5 | 312.9 | 18,500 | 215 |
| 220 | 58.5 | 313.7 | 20,700 | 61.6 | 309.4 | 18,200 | 220 |
| 225 | 57.5 | 310.1 | 20,400 | 60.6 | 305.8 | 17,900 | 225 |
| 230 | 56.6 | 306.4 | 19,900 | 59.7 | 302.1 | 17,600 | 230 |
| 235 | 55.6 | 302.6 | 19,500 | 58.7 | 298.2 | 17,200 | 235 |
| 240 | 54.6 | 298.7 | 19,100 | 57.7 | 294.1 | 16,900 | 240 |
| 245 | 53.7 | 294.5 | 18,700 | 56.7 | 290.0 | 16,600 | 245 |
| 250 | 52.6 | 290.3 | 18,300 | 55.7 | 285.7 | 16,300 | 250 |
| 255 | 51.6 | 285.9 | 18,000 | 54.6 | 281.2 | 16,000 | 255 |
| 260 | 50.6 | 281.3 | 17,600 | 53.6 | 276.5 | 15,700 | 260 |
| 270 | 48.5 | 271.7 | 16,500 | 51.4 | 266.7 | 15,200 | 270 |
| 280 | 46.3 | 261.3 | 14,700 | 49.2 | 256.1 | 14,700 | 280 |
| 290 | 44.0 | 250.0 | 13,000 | 46.8 | 244.6 | 14,200 | 290 |
| 300 | 41.5 | 237.7 | 11,400 | 44.3 | 232.0 | 12,500 | 300 |
| 310 | 39.0 | 224.3 | 9,800 | 41.7 | 218.3 | 10,900 | 310 |
| 320 | 36.2 | 209.6 | 8,400 | 38.9 | 203.0 | 9,300 | 320 |
| 330 | 33.3 | 193.1 | 7,100 | 35.8 | 185.9 | 7,800 | 330 |