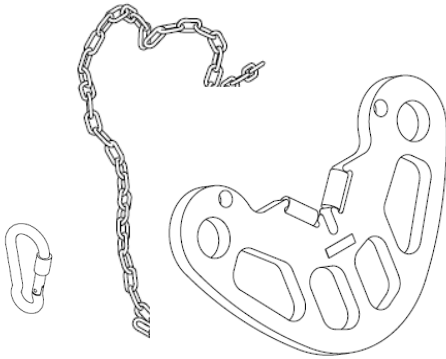




## Jib lifting beam



REF. : 84003496

### Reinforce safety on your site

Handling and shifting crane elements are delicate exercises which can cause accidents.

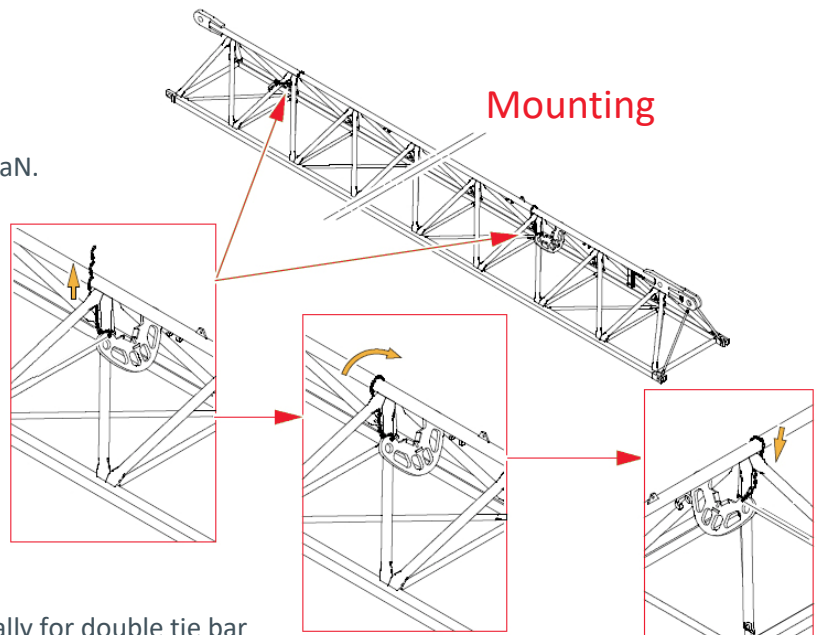
In order to minimize the danger and to improve safety on your site, Manitowoc proposes a jib lifting beam.

### Characteristics:

- Jib lifting beam for round bar of 40mm to 170 mm.
- Max. load per lifting beam: 17500daN.
- Weight per lifting beam: 30kg.

### Advantages:

Secures the slinging operation, especially for double tie bar lines. The beam separates the chains allowing room for the tie bars to lift without catching the chains.



Mounting