

# Liftcrane Boom

## Extended Upper Point Capacities

# MLC300 VPC-MAX SERIES 1

Boom No. B85:505-500  
with Mast No. M11:503 and  
23.0 ft Extended Upper Boom Point  
297,800 lb VPC (Variable Position Counterweight)  
360 Degree Rating



**LIFTING CAPACITIES:** Lifting capacities for various boom lengths and operating radii are for freely suspended loads and may be based on percent of static tipping or strength of structural components. Capacities must be reduced by applicable deducts.

Upper boom point (upper sheave) capacity for liftcrane service with single part whip line from Drum 6 is 30,000 lb. When Drum 2 or Drum 3 is used, capacity with single part whip line is 36,700 lb. In all cases, upper boom point capacities cannot exceed those listed for extended upper boom point (lower sheave) capacity.

Weight of all load blocks, hooks, weight ball, slings, hoist lines, etc., beneath sheaves is considered part of load. Boom is not to be lowered beyond radii where combined weights are greater than rated capacity. Where no capacity is shown, operation is not intended or approved.

**OPERATING CONDITIONS:** Machine to operate on a firm, level, and uniformly supporting surface. Refer to Boom Rigging **No. 80134736**, Mast Rigging **No. 84045340**, Wire Rope Specifications chart **No. 9884-A**, Counterweight Arrangements chart **No. 9345-A**, and Wind Conditions chart **No. 9885-A**. Crane operator judgment must be used to allow for dynamic load effects of swinging, hoisting or lowering, travel, wind conditions, as well as adverse operating conditions and physical machine depreciation. Refer to the Operator Manual for operating guidelines.

**MACHINE TRAVEL:** Machine to travel on a firm, level, and uniformly supporting surface. Boom must be within boom angle range shown in capacity chart. Refer to Maximum Allowable Travel Specifications chart **No. 9883-A**.



**EXTENDED UPPER BOOM POINT OPERATING RADIUS:** Extended upper boom point operating radius is horizontal distance from axis of rotation to center of vertical hoist line or load block.



**BOOM ANGLE:** Boom angle in degrees ( $^{\circ}$ ) is angle between horizontal and centerline of boom butt and inserts, and is an indication of operating radius. In all cases, operating radius shall govern capacity.



**EXTENDED UPPER BOOM POINT ELEVATION:** Extended upper boom point elevation is vertical distance from ground level to centerline of extended upper boom point shaft.

**MACHINE EQUIPMENT:** Machine equipped with VPC-MAX, 31 ft 10 in. crawlers, 48 in. or 60 in. treads, 30 ft live mast, 98.4 ft mast, 10 part boom hoist reeving, boom support straps, and 297,800 lb VPC.

# MLC300 VPC-MAX S-1

ASME B30.5



Refer to Table 1 (without luffing jib backstays stored) for raising ability with the maximum weight of all load blocks, hooks, weight ball, slings, and hoist lines beneath extended upper boom point (lower or upper sheaves). For block weights shown with #, load blocks, hooks, weight ball, and slings must remain on ground until combined weights are within rated capacity of chart. Raising is not permitted in shaded areas of table.

Select counterweight position from Table 1 that will allow raising and lowering of boom length. Counterweight position selection may be changed with boom on ground or while boom is within operating range of capacity chart.

Combined weight beneath extended upper boom point (lower or upper sheaves) must not exceed block weight shown.

**Table 1a: Without Luffing Jib Backstays**


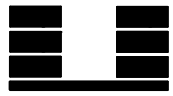

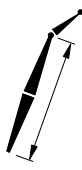


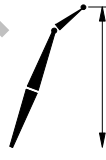
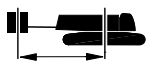

Over End or Side of Crawlers		
Boom Length (ft)	34.8 ft Counterweight Position	48.0 ft Counterweight Position
	Block Weight (lb)	
272.3	10,400	10,400
282.2	10,400	10,400
292.0	10,400	10,400
301.8	7,000	10,400
311.7	6,100	10,400
321.5	#	10,400
331.4	#	10,400
341.2	Raising Not Permitted	9,300
351.0		9,200
360.9		5,700
370.7		3,300
380.6		#
390.4	Raising Not Permitted	Raising Not Permitted
400.3		

**Table 1b: Without Luffing Jib Backstays**

Over End of Blocked Crawlers		
Boom Length (ft)	34.8 ft Counterweight Position	48.0 ft Counterweight Position
	Block Weight (lb)	
272.3	10,400	10,400
282.2	10,400	10,400
292.0	10,400	10,400
301.8	10,400	10,400
311.7	10,400	10,400
321.5	7,900	10,400
331.4	5,300	10,400
341.2	#	10,400
351.0	#	10,400
360.9	Raising Not Permitted	10,400
370.7		8,000
380.6		4,500
390.4		3,400
400.3		#

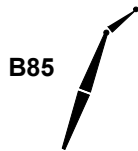
**Warning:** Crane must remain in-line with crawlers when raising over end of blocked crawlers until operating radius is within 360 degree chart. Crane tipping or structural damage can occur.

## Explanation of Symbols

-  Boom No. B85:505-500
-  VPC (Variable Position Counterweight)
-  360 Degree Rating
-  Boom Length
-  Extended Upper Boom Point Operating Radius  
(see page 1)
-  Boom Angle  
(see page 1)
-  Extended Upper Boom Point Elevation  
(see page 1)
-  Counterweight Position  
from Axis of Rotation
-  Lifting Capacities  
(see page 1)

# MLC300 VPC-MAX S-1

ASME B30.5

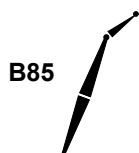


272.3 ft				
ft	ft	ft	34.8 ft lb	48.0 ft lb
55	82.9	295.9	183,800	183,800
56	82.7	295.7	183,800	183,800
58	82.3	295.3	183,800	183,800
60	81.9	295.0	183,800	183,800
62	81.5	294.6	183,200	183,200
64	81.1	294.2	182,400	182,400
66	80.7	293.8	181,500	181,500
68	80.3	293.3	180,700	180,700
70	79.9	292.9	179,800	179,800
72	79.5	292.4	178,900	178,900
74	79.1	291.9	178,000	178,000
76	78.7	291.4	177,200	177,200
78	78.3	290.9	176,300	176,300
80	77.9	290.4	175,400	175,400
85	76.9	289.0	173,200	173,200
90	75.9	287.6	161,200	171,000
95	74.8	286.0	149,200	168,800
100	73.8	284.3	138,600	166,500
105	72.8	282.6	129,200	164,100
110	71.7	280.7	120,700	154,700
115	70.7	278.7	113,000	145,300
120	69.6	276.7	106,000	136,900
125	68.5	274.5	99,600	129,100
130	67.5	272.2	93,800	122,000
135	66.4	269.8	88,400	115,500
140	65.3	267.2	83,400	109,500
145	64.2	264.6	78,800	103,900
150	63.1	261.8	74,500	98,700
155	61.9	258.9	70,600	93,900
160	60.8	255.8	66,900	89,400
165	59.6	252.6	63,400	85,200
170	58.4	249.3	60,100	81,300
175	57.3	245.8	57,100	77,600
180	56.0	242.2	54,000	74,100
185	54.8	238.4	51,000	70,800
190	53.6	234.4	48,200	67,600
195	52.3	230.2	45,500	64,700
200	51.0	225.9	42,900	61,900
205	49.7	221.3	40,500	59,200
210	48.3	216.5	38,100	56,700
215	46.9	211.5	35,900	54,300
220	45.5	206.2	33,800	52,000
225	44.1	200.7	31,700	49,800
230	42.6	194.9	29,800	47,700
235	41.0	188.7	27,900	45,700
240	39.4	182.2	26,100	43,800
245	37.7	175.3	24,400	41,900
250	36.0	167.9	22,700	40,100
252	35.3	164.8	22,000	39,400

282.2 ft				
ft	ft	ft	34.8 ft lb	48.0 ft lb
56	82.9	305.7	185,700	185,700
58	82.5	305.3	185,000	185,000
60	82.2	305.0	184,300	184,300
62	81.8	304.6	183,500	183,500
64	81.4	304.2	182,800	182,800
66	81.0	303.8	182,000	182,000
68	80.6	303.4	181,200	181,200
70	80.2	302.9	180,500	180,500
72	79.8	302.5	179,700	179,700
74	79.5	302.0	178,900	178,900
76	79.1	301.6	178,100	178,100
78	78.7	301.1	177,300	177,300
80	78.3	300.6	176,500	176,500
85	77.3	299.2	173,700	174,500
90	76.3	297.8	160,200	172,500
95	75.3	296.3	148,200	170,400
100	74.3	294.7	137,600	168,300
105	73.3	293.0	128,100	163,900
110	72.3	291.2	119,600	153,600
115	71.3	289.3	111,900	144,300
120	70.3	287.3	104,900	135,800
125	69.3	285.2	98,500	128,000
130	68.2	283.0	92,600	120,900
135	67.2	280.7	87,300	114,400
140	66.2	278.2	82,300	108,400
145	65.1	275.7	77,700	102,800
150	64.0	273.0	73,400	97,600
155	62.9	270.2	69,400	92,800
160	61.8	267.3	65,700	88,300
165	60.7	264.3	62,200	84,100
170	59.6	261.1	58,900	80,100
175	58.5	257.8	55,600	76,400
180	57.3	254.3	52,400	72,900
185	56.2	250.7	49,400	69,600
190	55.0	246.9	46,600	66,500
195	53.8	243.0	43,800	63,500
200	52.5	238.9	41,300	60,700
205	51.3	234.6	38,800	58,000
210	50.0	230.1	36,500	55,500
215	48.7	225.4	34,300	53,100
220	47.4	220.4	32,100	50,800
225	46.0	215.3	30,100	48,600
230	44.6	209.9	28,200	46,500
235	43.2	204.2	26,300	44,500
240	41.7	198.2	24,500	42,600
245	40.2	191.9	22,700	40,700
250	38.6	185.2	21,100	38,900
255	37.0	178.1	19,500	37,200
260	35.3	170.5	17,900	35,600

# MLC300 VPC-MAX S-1

ASME B30.5

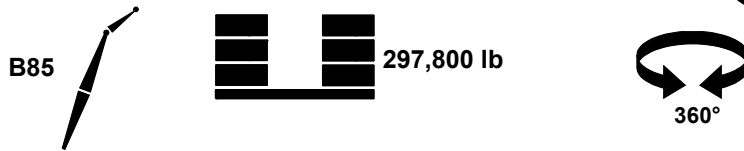


292.0 ft				
ft	ft	ft	lb	lb
57	83.0	315.5	194,900	194,900
58	82.8	315.3	194,500	194,500
60	82.4	315.0	193,900	193,900
62	82.0	314.6	193,300	193,300
64	81.7	314.2	192,600	192,600
66	81.3	313.8	192,000	192,000
68	80.9	313.4	191,300	191,300
70	80.5	313.0	190,600	190,600
72	80.2	312.6	190,000	190,000
74	79.8	312.1	189,200	189,200
76	79.4	311.7	188,600	188,600
78	79.0	311.2	187,800	187,800
80	78.7	310.7	187,100	187,100
85	77.7	309.4	173,000	185,300
90	76.8	308.1	159,400	183,400
95	75.8	306.6	147,500	181,500
100	74.9	305.1	136,800	174,700
105	73.9	303.4	127,300	163,200
110	72.9	301.7	118,800	152,800
115	71.9	299.8	111,100	143,500
120	71.0	297.9	104,100	135,000
125	70.0	295.9	97,700	127,200
130	69.0	293.8	91,800	120,100
135	68.0	291.5	86,400	113,500
140	67.0	289.2	81,400	107,500
145	65.9	286.7	76,800	101,900
150	64.9	284.2	72,500	96,700
155	63.9	281.5	68,600	91,900
160	62.8	278.7	64,800	87,400
165	61.8	275.8	61,300	83,200
170	60.7	272.8	57,700	79,200
175	59.6	269.6	54,300	75,500
180	58.5	266.3	51,200	72,000
185	57.4	262.8	48,200	68,700
190	56.3	259.2	45,300	65,600
195	55.1	255.5	42,600	62,600
200	54.0	251.6	40,000	59,800
205	52.8	247.5	37,600	57,200
210	51.6	243.3	35,300	54,600
215	50.4	238.8	33,000	52,200
220	49.1	234.2	30,900	49,900
225	47.8	229.4	28,900	47,700
230	46.5	224.3	26,900	45,600
235	45.2	219.0	25,100	43,600
240	43.8	213.4	23,300	41,700
245	42.4	207.6	21,500	39,800
250	41.0	201.4	19,900	38,100
255	39.5	195.0	18,300	36,400
260	37.9	188.1	16,700	34,700
265	36.3	180.9	15,200	33,100
268	35.3	176.3	14,300	32,200

301.8 ft				
ft	ft	ft	lb	lb
59	82.8	325.1	202,900	202,900
60	82.6	324.9	202,700	202,700
62	82.3	324.6	202,100	202,100
64	81.9	324.2	201,600	201,600
66	81.6	323.8	201,100	201,100
68	81.2	323.5	200,500	200,500
70	80.8	323.1	200,000	200,000
72	80.5	322.6	199,400	199,400
74	80.1	322.2	198,800	198,800
76	79.7	321.8	198,300	198,300
78	79.4	321.3	194,300	198,200
80	79.0	320.8	187,400	198,200
85	78.1	319.6	171,800	198,200
90	77.2	318.3	158,100	198,200
95	76.3	316.9	146,100	186,200
100	75.3	315.4	135,400	173,300
105	74.4	313.8	125,900	161,700
110	73.5	312.1	117,300	151,400
115	72.5	310.3	109,600	142,000
120	71.6	308.5	102,600	133,500
125	70.6	306.5	96,200	125,700
130	69.7	304.5	90,300	118,500
135	68.7	302.3	84,900	112,000
140	67.7	300.1	79,900	105,900
145	66.7	297.7	75,200	100,300
150	65.7	295.2	71,000	95,200
155	64.7	292.7	66,900	90,300
160	63.7	290.0	62,800	85,800
165	62.7	287.2	59,000	81,600
170	61.7	284.3	55,500	77,600
175	60.7	281.2	52,100	73,900
180	59.6	278.1	48,900	70,400
185	58.5	274.8	45,900	67,100
190	57.5	271.3	43,000	63,900
195	56.4	267.8	40,300	61,000
200	55.3	264.0	37,800	58,200
205	54.1	260.2	35,300	55,500
210	53.0	256.1	33,000	53,000
215	51.8	251.9	30,800	50,600
220	50.7	247.6	28,600	48,300
225	49.5	243.0	26,600	46,100
230	48.2	238.2	24,700	44,000
235	47.0	233.2	22,800	42,000
240	45.7	228.0	21,000	40,000
245	44.4	222.6	19,300	38,200
250	43.0	216.9	17,600	36,400
255	41.6	210.9	16,000	34,700
260	40.2	204.6	14,500	33,100
265	38.7	198.0	13,000	31,500
270	37.2	191.0	11,600	30,000
275	35.6	183.6	10,200	28,500
276	35.3	182.0	10,200	28,200

# MLC300 VPC-MAX S-1

ASME B30.5

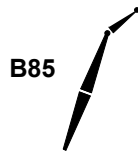


311.7 ft			34.8 ft		48.0 ft	
ft	ft	ft	lb	lb	lb	lb
60	82.9	334.9	199,800	199,800		
62	82.5	334.6	199,800	199,800		
64	82.2	334.2	199,800	199,800		
66	81.8	333.9	199,800	199,800		
68	81.5	333.5	199,800	199,800		
70	81.1	333.1	199,800	199,800		
72	80.8	332.7	199,800	199,800		
74	80.4	332.3	199,800	199,800		
76	80.1	331.8	199,800	199,800		
78	79.7	331.4	195,100	199,800		
80	79.4	330.9	188,100	199,800		
85	78.5	329.7	172,500	199,800		
90	77.6	328.4	158,900	195,900		
95	76.7	327.1	146,900	187,000		
100	75.8	325.6	136,200	174,100		
105	74.9	324.1	126,700	162,500		
110	74.0	322.5	118,100	152,200		
115	73.1	320.8	110,400	142,800		
120	72.1	319.0	103,400	134,300		
125	71.2	317.1	97,000	126,500		
130	70.3	315.1	91,100	119,400		
135	69.4	313.0	85,700	112,800		
140	68.4	310.8	80,700	106,800		
145	67.5	308.6	76,100	101,200		
150	66.5	306.2	71,800	96,000		
155	65.6	303.7	67,800	91,100		
160	64.6	301.1	63,900	86,600		
165	63.6	298.5	60,100	82,400		
170	62.6	295.7	56,500	78,400		
175	61.6	292.7	53,200	74,700		
180	60.6	289.7	50,000	71,200		
185	59.6	286.5	47,000	67,900		
190	58.6	283.3	44,100	64,800		
195	57.5	279.8	41,400	61,800		
200	56.5	276.3	38,900	59,000		
205	55.4	272.6	36,400	56,400		
210	54.3	268.7	34,100	53,800		
215	53.2	264.8	31,900	51,400		
220	52.1	260.6	29,800	49,100		
225	50.9	256.3	27,700	46,900		
230	49.8	251.8	25,800	44,900		
235	48.6	247.1	23,900	42,900		
240	47.4	242.2	22,200	40,900		
245	46.2	237.1	20,400	39,100		
250	44.9	231.7	18,800	37,300		
255	43.6	226.1	17,200	35,600		
260	42.3	220.3	15,700	34,000		
265	40.9	214.2	14,200	32,400		
270	39.5	207.7	12,800	30,900		
275	38.1	201.0	11,400	29,500		
280	36.6	193.8	10,100	28,000		
284	35.3	187.8		26,900		

321.5 ft			34.8 ft		48.0 ft	
ft	ft	ft	lb	lb	lb	lb
61	82.9	344.7	183,800	183,800		
62	82.7	344.6	183,800	183,800		
64	82.4	344.2	183,800	183,800		
66	82.1	343.9	183,800	183,800		
68	81.7	343.5	183,800	183,800		
70	81.4	343.1	183,800	183,800		
72	81.0	342.7	183,800	183,800		
74	80.7	342.3	183,800	183,800		
76	80.3	341.9	183,800	183,800		
78	80.0	341.5	183,800	183,800		
80	79.7	341.0	183,800	183,800		
85	78.8	339.9	171,500	183,800		
90	77.9	338.6	157,800	181,800		
95	77.1	337.3	145,800	177,500		
100	76.2	335.9	135,100	172,900		
105	75.3	334.4	125,600	161,400		
110	74.5	332.8	117,000	151,000		
115	73.6	331.2	109,200	141,600		
120	72.7	329.4	102,200	133,100		
125	71.8	327.6	95,800	125,300		
130	70.9	325.7	89,900	118,100		
135	70.0	323.7	84,500	111,600		
140	69.1	321.6	79,500	105,500		
145	68.2	319.4	74,800	99,900		
150	67.3	317.1	70,500	94,700		
155	66.3	314.7	66,200	89,900		
160	65.4	312.2	62,200	85,400		
165	64.4	309.6	58,400	81,100		
170	63.5	306.9	54,800	77,200		
175	62.5	304.1	51,400	73,500		
180	61.6	301.2	48,200	69,900		
185	60.6	298.2	45,200	66,600		
190	59.6	295.0	42,400	63,500		
195	58.6	291.7	39,700	60,600		
200	57.6	288.3	37,100	57,800		
205	56.6	284.8	34,700	55,100		
210	55.5	281.1	32,400	52,600		
215	54.5	277.3	30,100	50,200		
220	53.4	273.4	28,000	47,900		
225	52.3	269.2	26,000	45,700		
230	51.2	265.0	24,100	43,600		
235	50.1	260.5	22,200	41,600		
240	49.0	255.9	20,400	39,700		
245	47.8	251.1	18,700	37,800		
250	46.6	246.0	17,100	36,100		
255	45.4	240.8	15,500	34,400		
260	44.1	235.3	13,900	32,700		
265	42.9	229.6	12,500	31,200		
270	41.6	223.6	11,000	29,600		
280	38.8	210.8		26,800		
290	35.9	196.5		24,100		
293	35.0	191.9		23,300		

# MLC300 VPC-MAX S-1

ASME B30.5

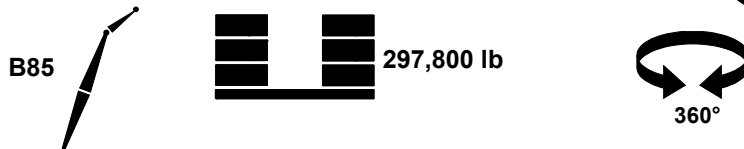


331.4 ft				
ft	ft	ft	lb	lb
62	82.9	354.5	178,900	178,900
64	82.6	354.2	178,900	178,900
66	82.3	353.8	178,900	178,900
68	81.9	353.5	178,900	178,900
70	81.6	353.1	178,900	178,900
72	81.3	352.7	178,900	178,900
74	81.0	352.3	178,900	178,900
76	80.6	351.9	178,900	178,900
78	80.3	351.5	178,900	178,900
80	80.0	351.1	178,900	178,900
85	79.1	350.0	171,200	178,900
90	78.3	348.8	157,500	178,800
95	77.4	347.5	145,400	174,600
100	76.6	346.1	134,700	170,400
105	75.8	344.7	125,200	161,000
110	74.9	343.1	116,600	150,600
115	74.1	341.5	108,800	141,200
120	73.2	339.9	101,800	132,700
125	72.3	338.1	95,400	124,900
130	71.5	336.2	89,500	117,800
135	70.6	334.3	84,100	111,200
140	69.7	332.3	79,100	105,100
145	68.8	330.1	74,400	99,500
150	67.9	327.9	70,000	94,300
155	67.0	325.6	65,600	89,500
160	66.1	323.2	61,600	85,000
165	65.2	320.7	57,800	80,700
170	64.3	318.1	54,200	76,800
175	63.4	315.4	50,800	73,000
180	62.4	312.6	47,600	69,500
185	61.5	309.7	44,600	66,200
190	60.6	306.6	41,800	63,100
195	59.6	303.5	39,100	60,100
200	58.6	300.2	36,500	57,300
205	57.6	296.8	34,100	54,700
210	56.6	293.3	31,700	52,100
215	55.6	289.7	29,500	49,700
220	54.6	285.9	27,400	47,400
225	53.6	282.0	25,400	45,200
230	52.5	277.9	23,400	43,100
235	51.5	273.6	21,600	41,100
240	50.4	269.2	19,800	39,200
245	49.3	264.7	18,100	37,400
250	48.2	259.9	16,500	35,600
255	47.0	255.0	14,900	33,900
260	45.8	249.8	13,300	32,300
265	44.6	244.5	11,900	30,700
270	43.4	238.9	10,500	29,200
280	40.9	226.9		26,400
290	38.2	213.8		23,700
300	35.3	199.2		21,200
301	35.0	197.7		21,000

341.2 ft				
ft	ft	ft	lb	lb
63	83.0	364.3	168,200	168,200
64	82.8	364.2	168,200	168,200
66	82.5	363.8	168,200	168,200
68	82.2	363.5	168,200	168,200
70	81.8	363.1	168,200	168,200
72	81.5	362.7	168,200	168,200
74	81.2	362.4	168,200	168,200
76	80.9	362.0	168,200	168,200
78	80.6	361.6	168,200	168,200
80	80.2	361.1	168,200	168,200
85	79.4	360.1	168,200	168,200
90	78.6	358.9	156,400	166,800
95	77.8	357.6	144,300	162,600
100	77.0	356.3	133,600	158,500
105	76.2	354.9	124,000	154,500
110	75.3	353.4	115,400	149,500
115	74.5	351.9	107,700	140,000
120	73.7	350.2	100,600	131,500
125	72.8	348.5	94,200	123,700
130	72.0	346.7	88,300	116,500
135	71.1	344.8	82,800	110,000
140	70.3	342.9	77,800	103,900
145	69.4	340.8	72,900	98,300
150	68.6	338.7	68,200	93,100
155	67.7	336.5	63,900	88,200
160	66.8	334.1	59,800	83,700
165	66.0	331.7	56,000	79,500
170	65.1	329.2	52,400	75,500
175	64.2	326.6	49,100	71,800
180	63.3	323.9	45,900	68,200
185	62.4	321.1	42,900	64,900
190	61.5	318.1	40,000	61,800
195	60.5	315.1	37,300	58,800
200	59.6	312.0	34,700	56,000
205	58.6	308.7	32,300	53,400
210	57.7	305.3	30,000	50,800
215	56.7	301.8	27,800	48,400
220	55.7	298.2	25,600	46,100
225	54.8	294.4	23,600	43,900
230	53.8	290.6	21,700	41,800
235	52.7	286.5	19,800	39,800
240	51.7	282.3	18,000	37,900
245	50.7	278.0	16,300	36,100
250	49.6	273.5	14,700	34,300
255	48.5	268.8	13,100	32,600
260	47.4	263.9	11,600	31,000
265	46.3	258.8	10,100	29,400
270	45.1	253.6		27,900
280	42.7	242.3		25,100
290	40.2	230.1		22,400
300	37.6	216.7		19,900
309	35.0	203.4		17,800

# MLC300 VPC-MAX S-1

ASME B30.5



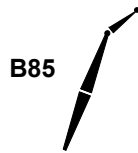
351.0 ft			34.8 ft		48.0 ft	
ft	ft	ft	lb	lb		
65	82.9	374.0	156,400	156,400		
66	82.7	373.8	155,900	155,900		
68	82.4	373.5	154,700	154,700		
70	82.1	373.1	153,600	153,600		
72	81.8	372.8	152,500	152,500		
74	81.4	372.4	151,500	151,500		
76	81.1	372.0	150,400	150,400		
78	80.8	371.6	149,300	149,300		
80	80.5	371.2	148,300	148,300		
85	79.7	370.1	145,600	145,600		
90	78.9	369.0	143,000	143,000		
95	78.1	367.8	140,400	140,400		
100	77.3	366.5	134,800	138,000		
105	76.5	365.1	125,200	135,500		
110	75.7	363.7	116,600	133,100		
115	74.9	362.2	108,900	130,800		
120	74.1	360.6	101,800	128,600		
125	73.3	358.9	95,400	124,900		
130	72.5	357.2	89,500	117,800		
135	71.7	355.4	84,100	111,200		
140	70.8	353.5	79,100	105,100		
145	70.0	351.5	74,400	99,500		
150	69.2	349.4	69,800	94,300		
155	68.3	347.2	65,500	89,500		
160	67.5	345.0	61,500	84,900		
165	66.6	342.6	57,700	80,700		
170	65.8	340.2	54,100	76,800		
175	64.9	337.7	50,700	73,000		
180	64.1	335.1	47,500	69,500		
185	63.2	332.4	44,500	66,200		
190	62.3	329.5	41,700	63,100		
195	61.4	326.6	39,000	60,100		
200	60.5	323.6	36,400	57,300		
205	59.6	320.4	34,000	54,700		
210	58.7	317.2	31,700	52,100		
215	57.7	313.8	29,500	49,700		
220	56.8	310.4	27,400	47,400		
225	55.8	306.7	25,300	45,300		
230	54.9	303.0	23,400	43,200		
235	53.9	299.1	21,600	41,200		
240	52.9	295.1	19,800	39,300		
245	51.9	291.0	18,100	37,400		
250	50.9	286.7	16,400	35,700		
255	49.9	282.2	14,900	34,000		
260	48.8	277.6	13,400	32,400		
265	47.8	272.8	11,900	30,800		
270	46.7	267.8	10,500	29,300		
280	44.4	257.2		26,400		
290	42.1	245.8		23,800		
300	39.6	233.3		21,300		
310	37.0	219.6		19,000		
317	35.1	209.2		17,400		

360.9 ft			34.8 ft		48.0 ft	
ft	ft	ft	lb	lb		
66	82.9	383.8	147,000	147,000		
68	82.6	383.4	147,000	147,000		
70	82.3	383.1	147,000	147,000		
72	82.0	382.7	147,000	147,000		
74	81.7	382.4	147,000	147,000		
76	81.4	382.0	147,000	147,000		
78	81.1	381.6	146,700	146,700		
80	80.7	381.2	145,600	145,600		
85	80.0	380.2	143,000	143,000		
90	79.2	379.1	140,500	140,500		
95	78.4	377.9	137,900	137,900		
100	77.7	376.7	133,700	135,500		
105	76.9	375.3	124,100	133,100		
110	76.1	373.9	115,500	130,700		
115	75.3	372.5	107,700	128,500		
120	74.5	370.9	100,700	125,400		
125	73.8	369.3	94,200	122,000		
130	73.0	367.6	88,300	116,600		
135	72.2	365.8	82,900	110,000		
140	71.4	364.0	77,800	103,900		
145	70.6	362.1	72,800	98,300		
150	69.7	360.1	68,200	93,100		
155	68.9	358.0	63,800	88,300		
160	68.1	355.8	59,800	83,700		
165	67.3	353.5	56,000	79,500		
170	66.5	351.2	52,400	75,500		
175	65.6	348.7	49,000	71,800		
180	64.8	346.2	45,800	68,300		
185	63.9	343.5	42,800	65,000		
190	63.1	340.8	40,000	61,900		
195	62.2	338.0	37,300	58,900		
200	61.3	335.1	34,700	56,100		
205	60.5	332.1	32,300	53,400		
210	59.6	328.9	30,000	50,900		
215	58.7	325.7	27,800	48,500		
220	57.8	322.3	25,600	46,200		
225	56.9	318.9	23,600	44,000		
230	55.9	315.3	21,700	41,900		
235	55.0	311.6	19,800	39,900		
240	54.1	307.7	18,100	38,000		
245	53.1	303.7	16,400	36,200		
250	52.1	299.6	14,700	34,400		
255	51.1	295.4	13,200	32,700		
260	50.1	290.9	11,600	31,100		
265	49.1	286.4	10,200	29,500		
270	48.1	281.6		28,000		
280	46.0	271.6		25,200		
290	43.8	260.8		22,500		
300	41.4	249.1		20,100		
310	39.0	236.4		17,700		
320	36.4	222.4		15,600		
325	35.1	214.9		14,500		



# MLC300 VPC-MAX S-1

ASME B30.5

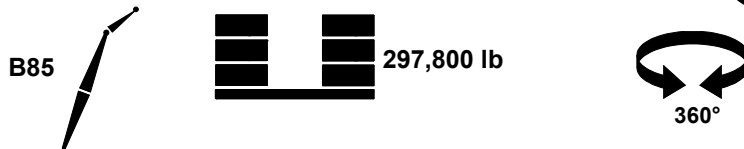


370.7 ft				
ft	ft	ft	lb	lb
67	82.9	393.6	140,500	140,500
68	82.8	393.4	140,500	140,500
70	82.5	393.1	140,500	140,500
72	82.2	392.7	140,400	140,400
74	81.9	392.4	140,400	140,400
76	81.6	392.0	140,400	140,400
78	81.3	391.6	140,400	140,400
80	81.0	391.3	140,300	140,300
85	80.2	390.3	139,900	139,900
90	79.5	389.2	137,400	137,400
95	78.7	388.0	134,900	134,900
100	78.0	386.8	131,900	131,900
105	77.2	385.5	123,700	128,200
110	76.5	384.2	115,100	124,600
115	75.7	382.7	107,300	121,200
120	74.9	381.2	100,200	117,800
125	74.2	379.7	93,700	114,500
130	73.4	378.0	87,800	111,500
135	72.6	376.3	82,400	108,500
140	71.9	374.5	77,100	103,500
145	71.1	372.6	72,100	97,800
150	70.3	370.7	67,500	92,600
155	69.5	368.6	63,100	87,800
160	68.7	366.5	59,100	83,200
165	67.9	364.3	55,300	79,000
170	67.1	362.0	51,700	75,000
175	66.3	359.7	48,300	71,300
180	65.5	357.2	45,100	67,800
185	64.7	354.7	42,100	64,500
190	63.8	352.0	39,300	61,300
195	63.0	349.3	36,600	58,400
200	62.1	346.5	34,000	55,600
205	61.3	343.6	31,600	52,900
210	60.4	340.5	29,200	50,400
215	59.6	337.4	27,000	48,000
220	58.7	334.2	24,900	45,700
225	57.8	330.8	22,900	43,500
230	56.9	327.4	21,000	41,400
235	56.0	323.8	19,100	39,400
240	55.1	320.1	17,300	37,500
245	54.2	316.3	15,600	35,700
250	53.3	312.3	14,000	33,900
255	52.3	308.3	12,400	32,200
260	51.4	304.0	10,900	30,600
270	49.4	295.1		27,500
280	47.4	285.6		24,700
290	45.3	275.4		22,000
300	43.1	264.3		19,600
310	40.8	252.4		17,200
320	38.4	239.4		15,100
330	35.9	225.2		13,000
333	35.1	220.7		12,400

380.6 ft				
ft	ft	ft	lb	lb
68	82.9	403.4	132,000	132,000
70	82.7	403.1	132,000	132,000
72	82.4	402.7	131,900	131,900
74	82.1	402.4	131,900	131,900
76	81.8	402.0	131,900	131,900
78	81.5	401.7	131,800	131,800
80	81.2	401.3	131,800	131,800
85	80.5	400.3	131,700	131,700
90	79.8	399.2	131,600	131,600
95	79.0	398.1	131,500	131,500
100	78.3	396.9	131,400	131,400
105	77.5	395.7	122,700	131,300
110	76.8	394.4	114,000	128,500
115	76.1	393.0	106,200	125,000
120	75.3	391.5	99,100	121,700
125	74.6	390.0	92,700	118,500
130	73.8	388.4	86,700	115,000
135	73.1	386.7	80,900	108,400
140	72.3	385.0	75,500	102,300
145	71.6	383.1	70,500	96,700
150	70.8	381.2	65,900	91,500
155	70.0	379.3	61,500	86,600
160	69.3	377.2	57,500	82,100
165	68.5	375.1	53,600	77,800
170	67.7	372.9	50,100	73,900
175	66.9	370.6	46,700	70,100
180	66.1	368.2	43,500	66,600
185	65.3	365.7	40,500	63,300
190	64.5	363.2	37,600	60,100
195	63.7	360.5	34,900	57,200
200	62.9	357.8	32,300	54,400
205	62.1	354.9	29,900	51,700
210	61.3	352.0	27,600	49,200
215	60.4	349.0	25,400	46,800
220	59.6	345.9	23,300	44,500
225	58.7	342.7	21,200	42,300
230	57.9	339.3	19,300	40,200
235	57.0	335.9	17,400	38,200
240	56.1	332.3	15,700	36,300
245	55.2	328.7	14,000	34,400
250	54.3	324.9	12,300	32,700
255	53.4	320.9	10,800	31,000
260	52.5	316.9		29,300
265	51.6	312.7		27,800
270	50.6	308.4		26,300
280	48.7	299.3		23,400
290	46.7	289.5		20,800
300	44.7	279.1		18,300
310	42.5	267.8		16,000
320	40.2	255.6		13,800
330	37.9	242.4		11,800
335	36.6	235.3		10,800

# MLC300 VPC-MAX S-1

ASME B30.5



390.4 ft			34.8 ft		48.0 ft	
ft	ft	ft	lb	lb	lb	lb
69	83.0	413.2	123,600	123,600		
70	82.8	413.0	123,500	123,500		
72	82.6	412.7	123,500	123,500		
74	82.3	412.4	123,400	123,400		
76	82.0	412.0	123,400	123,400		
78	81.7	411.7	123,300	123,300		
80	81.4	411.3	123,300	123,300		
85	80.7	410.3	123,200	123,200		
90	80.0	409.3	123,100	123,100		
95	79.3	408.2	120,600	120,600		
100	78.6	407.1	118,000	118,000		
105	77.9	405.8	115,600	115,600		
110	77.1	404.6	113,100	113,100		
115	76.4	403.2	106,600	110,700		
120	75.7	401.8	99,500	108,400		
125	75.0	400.3	93,000	106,200		
130	74.2	398.7	87,100	104,000		
135	73.5	397.1	81,300	101,900		
140	72.8	395.4	76,000	99,900		
145	72.0	393.6	71,000	97,100		
150	71.3	391.8	66,300	91,900		
155	70.5	389.8	62,000	87,000		
160	69.8	387.8	57,900	82,400		
165	69.0	385.8	54,100	78,200		
170	68.3	383.6	50,500	74,200		
175	67.5	381.4	47,100	70,500		
180	66.7	379.1	44,000	67,000		
185	66.0	376.7	40,900	63,700		
190	65.2	374.2	38,100	60,500		
195	64.4	371.6	35,400	57,600		
200	63.6	369.0	32,800	54,700		
205	62.8	366.2	30,400	52,100		
210	62.0	363.4	28,100	49,500		
215	61.2	360.5	25,800	47,100		
220	60.4	357.5	23,700	44,800		
225	59.6	354.4	21,700	42,700		
230	58.7	351.1	19,800	40,600		
235	57.9	347.8	17,900	38,600		
240	57.1	344.4	16,200	36,600		
245	56.2	340.8	14,500	34,800		
250	55.3	337.2	12,800	33,100		
255	54.5	333.4	11,300	31,400		
260	53.6	329.5		29,700		
265	52.7	325.5		28,200		
270	51.8	321.4		26,700		
280	49.9	312.6		23,800		
290	48.0	303.3		21,200		
300	46.1	293.4		18,700		
310	44.0	282.7		16,400		
320	41.9	271.2		14,300		
330	39.7	258.8		12,200		
340	37.3	245.3		10,200		

400.3 ft			34.8 ft		48.0 ft	
ft	ft	ft	lb	lb	lb	lb
71	82.9	422.8	115,500	115,500		
72	82.7	422.7	115,400	115,400		
74	82.5	422.3	115,300	115,300		
76	82.2	422.0	115,300	115,300		
78	81.9	421.6	115,200	115,200		
80	81.6	421.3	115,200	115,200		
85	80.9	420.4	115,100	115,100		
90	80.2	419.4	114,900	114,900		
95	79.5	418.3	114,800	114,800		
100	78.8	417.2	114,600	114,600		
105	78.1	416.0	112,400	112,400		
110	77.4	414.7	110,100	110,100		
115	76.7	413.4	105,500	107,800		
120	76.0	412.0	98,400	105,600		
125	75.3	410.6	91,800	103,400		
130	74.6	409.0	85,500	101,300		
135	73.9	407.4	79,700	99,300		
140	73.2	405.8	74,400	97,100		
145	72.5	404.1	69,400	94,500		
150	71.7	402.3	64,700	90,700		
155	71.0	400.4	60,300	85,800		
160	70.3	398.4	56,300	81,300		
165	69.5	396.4	52,500	77,000		
170	68.8	394.3	48,900	73,000		
175	68.1	392.2	45,500	69,300		
180	67.3	389.9	42,300	65,800		
185	66.6	387.6	39,300	62,500		
190	65.8	385.2	36,400	59,300		
195	65.1	382.7	33,700	56,400		
200	64.3	380.1	31,200	53,500		
205	63.5	377.5	28,700	50,900		
210	62.7	374.7	26,400	48,300		
215	62.0	371.9	24,200	45,900		
220	61.2	369.0	22,100	43,600		
225	60.4	365.9	20,000	41,400		
230	59.6	362.8	18,100	39,300		
235	58.8	359.6	16,300	37,300		
240	57.9	356.3	14,500	35,400		
245	57.1	352.9	12,800	33,600		
250	56.3	349.4	11,100	31,800		
255	55.4	345.7		30,100		
260	54.6	342.0		28,500		
265	53.7	338.1		26,900		
270	52.9	334.1		25,400		
275	52.0	330.0		24,000		
280	51.1	325.8		22,600		
285	50.2	321.4		21,300		
290	49.3	316.8		20,000		
300	47.4	307.3		17,500		
310	45.4	297.2		15,200		
320	43.4	286.3		13,000		
330	41.3	274.6		10,800		