

| ROTATING UPPERWORKS WEIGHT AND CENTER OF GRAVITY (WU) |              |               |               |
|---|--------------|---------------|---------------|
| EQUIPPED AS   | WEIGHT (lbs) | DIM "A" (in.) | DIM "B" (in.) |
| 999 SERIES 1<br>(114,600 lb. CTWT)                    | 172,391      | 133.3         | -16.6         |
| 999 SERIES 1<br>(149,600 lb. CTWT)                    | 207,391      | 141.1         | -10.8         |
| 999 SERIES 2<br>(184,600 lb. CTWT)                    | 242,391      | 146.6         | -3.4          |
| 999 SERIES 3<br>(219,600 lb. CTWT)                    | 277,391      | 150.7         | 4.9           |
| LOWERWORKS WEIGHT AND CENTER OF GRAVITY (WL)          |              |               |               |
| EQUIPPED AS   | WEIGHT (lbs) | DIM "C" (in.) | DIM "D" (in.) |
| 999 SERIES 1  | 106,713      | 0             | 73.9          |
| 999 SERIES 1 - WITH<br>OPTIONAL CARBODY JACKS         | 109,599      | 0             | 73.7          |
| 999 SERIES 2  | 150,713      | 0             | 74.6          |
| 999 SERIES 2 - WITH<br>OPTIONAL CARBODY JACKS         | 153,599      | 0             | 74.5          |
| 999 SERIES 3  | 186,713      | 0             | 71.8          |
| 999 SERIES 3 - WITH<br>OPTIONAL CARBODY JACKS         | 189,599      | 0             | 71.7          |

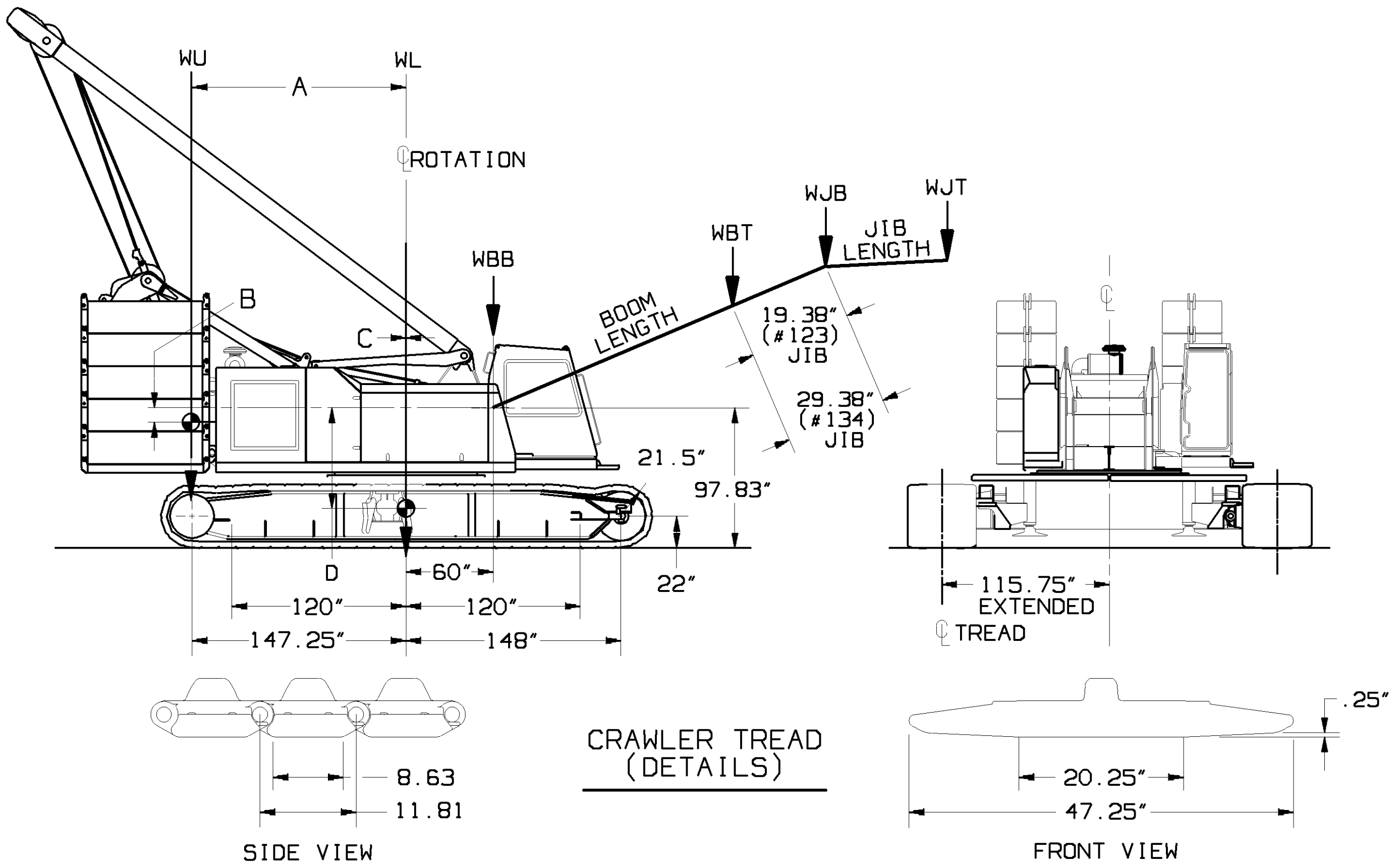
| #82LR BOOM WEIGHTS |           |           |
|--------------------|-----------|-----------|
| LENGTH (ft.)       | WBB (lbs) | WBT (lbs) |
| 120                | 27,547    | 12,809    |
| 130                | 28,204    | 13,133    |
| 140                | 29,216    | 13,535    |
| 150                | 29,803    | 13,929    |
| 160                | 31,193    | 14,718    |
| 170                | 31,709    | 15,184    |
| 180                | 32,595    | 15,682    |
| 190                | 33,098    | 16,160    |
| 200                | 34,480    | 16,957    |
| 210                | 34,926    | 17,491    |
| 220                | 35,756    | 18,046    |
| 230                | 36,193    | 18,589    |
| 240                | 37,579    | 19,383    |
| 250                | 37,987    | 19,956    |
| 260                | 38,784    | 20,544    |
| 270                | 39,189    | 21,119    |
| 280                | 40,581    | 21,907    |
| 290                | 40,963    | 22,505    |
| 300                | 41,740    | 23,113    |
| 310                | 42,065    | 23,259    |
| 320                | 43,465    | 24,038    |
| 330                | 43,833    | 24,651    |
| 340                | 44,596    | 25,272    |

| JIB WEIGHTS      |           |           |           |           |
|------------------|-----------|-----------|-----------|-----------|
| JIB LENGTH (ft.) | #123      |           | #134      |           |
|                  | WJB (lbs) | WJT (lbs) | WJB (lbs) | WJT (lbs) |
| 30               | 1,685     | 1,201     | 2,293     | 1,054     |
| 40               | 1,982     | 1,443     | 2,584     | 1,294     |
| 50               | 2,270     | 1,695     | 2,868     | 1,543     |
| 60               | 2,553     | 1,952     | 3,148     | 1,797     |
| 70               |           |           | 3,426     | 2,053     |
| 80               |           |           | 3,701     | 2,311     |

NOTE 1: BOOM AND JIB WEIGHTS INCLUDE WEIGHT OF MAST, BOOM, JIB, PENDANTS ETC.; BUT DO NOT INCLUDE WEIGHT OF LOAD, LOAD BLOCK, WEIGHT BALL, SLINGS, ETC. ALL ITEMS SUSPENDED FROM BOOM OR JIB MUST BE CONSIDERED PART OF THE LOAD.

NOTE 2: CONSULT PROPER CRANE CAPACITY CHART FOR LIFTING CAPACITIES AND ALLOWABLE BOOM AND JIB COMBINATIONS.

CAUTION: NOT TO BE USED FOR CRANE RATING PURPOSES.



|                      |                  |  |               |
|----------------------|------------------|--|---------------|
| DATE<br>4-26-02      | SCALE<br>DR. JLD | MANITOWOC CRANES, INC.<br>MANITOWOC, WISCONSIN | C G CHART     |
| DWG. NO.<br>T.S. 334 | CK. JLD<br>APP.  |  | MODEL 999     |
|                      |                  |  | BOOM NO. 82LR |